

Backyard Seating Complete



Here is a plan according to which you can make two variants of a very practical backyard seating set. Both variants have the same construction, and the only difference is that the back bench leg parts (part 2) of the second variant are extended in order to fix slats onto them that hold the canopy.

It is designed to comfortably seat 4 people or up to 6 children or small persons. If the seating set is to be used by large persons, the construction should be additionally strengthened. The great advantage of this backyard seating set is that no woodworking joints are applied in the construction, i.e., all parts are connected with wood screws and bolts. In this way, even less experienced woodworkers will be able to make this seating set, and another thing is that in wintertime it is easy to disassemble and store somewhere to prevent damage to the construction due to weather conditions. To do this without any tools, you can use wing nuts instead of hexagon nuts.

The canopy construction is not much more complex, but it's up to you to decide which one to make. Canopy provides sun protection, and if you are going to place the seating set outdoors, we recommend that you make this construction. The first seating set variant can also be kept outdoors, but it is advisable to have a parasol. You have to make the canopy yourselves from some appropriate store-bought canvas. Search the Internet for as much information as possible on this topic so that you don't have to make a new canopy every year.

The influence of wind, rain and sun can be very destructive if the wrong canvas is selected or reinforcements are not sewn in. Making a canvas canopy is not complicated, especially if done by someone who is experienced with sewing.

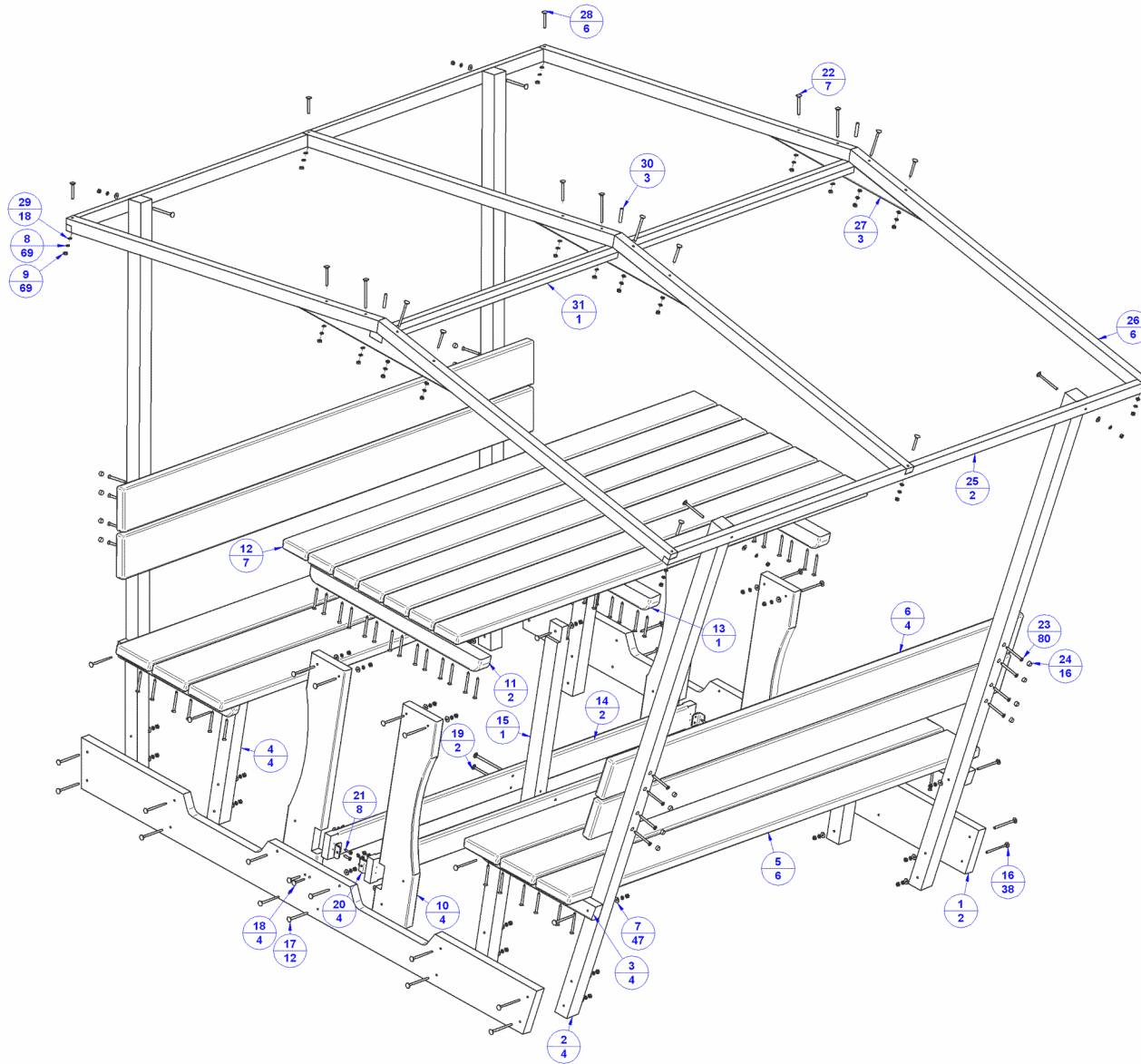
Due to simplicity of construction, the entire backyard seating set can be made using the most basic tools available in almost every home (screwdriver, drill, saw, meter ...). Of course using power tools will facilitate and speed up production.

According to the plan, the dimensions of the parts and the entire seating set can be easily adjusted to your needs and dimensions of timber sold nearby.

Backyard seating sets like this can be made from different types of wood (the higher the quality of the wood, the more durable the seating set), and the only thing to pay attention to is to protect the construction from the sun and weather conditions.

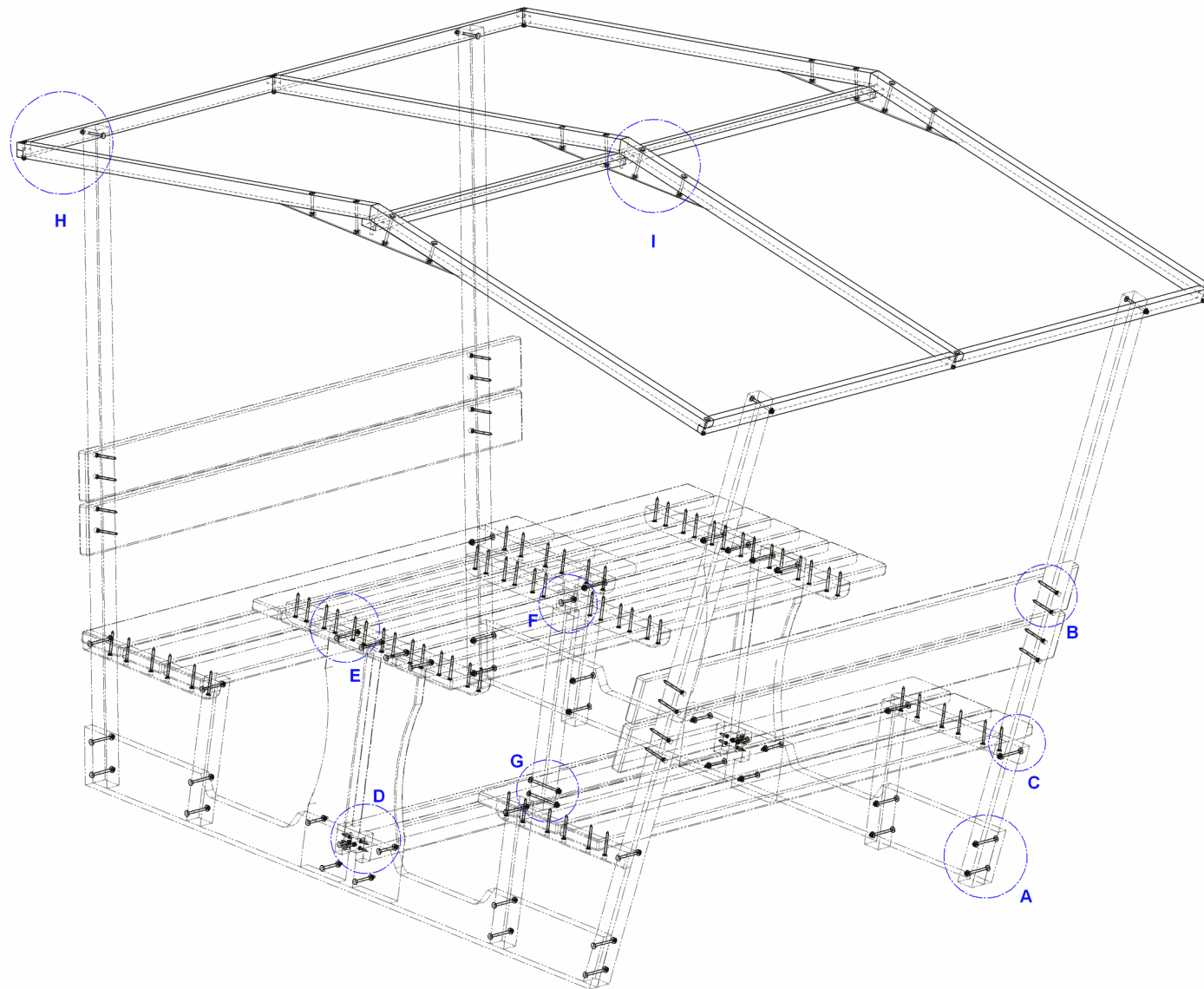
We have used cup head bolts for the whole construction because they are visually more appealing.

Parts List

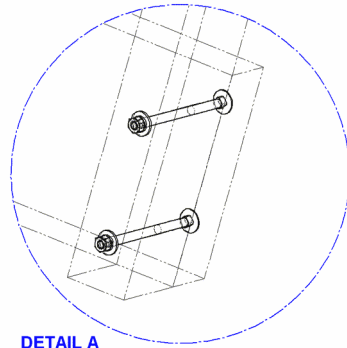


Item Number	Title	Material	Quantity
1	Rail	Wood	2
2	Back Bench Leg	Wood	4
3	Seat Cleat	Wood	4
4	Front Bench Leg	Wood	4
5	Seat Slat	Wood	6
6	Back Slat	Wood	4
7	Washer 6mm	Steel	47
8	Spring Lock Washer 6mm	Steel	69
9	Hexagon Nut M6	Steel	69
10	Table Leg	Wood	4
11	Table Cleat	Wood	2
12	Table Slat	Wood	7
13	Middle Table Cleat	Wood	1
14	Table Stretcher	Wood	2
15	Vertical Support	Wood	1
16	Bolt M6x90mm	Steel	38
17	Bolt M6x80mm	Steel	12
18	Bolt M6x45mm	Steel	4
19	Bolt M6x110mm	Steel	2
20	Holder	Steel	4
21	Wood Screw D5x25mm	Steel	8
22	Bolt M6x60mm	Steel	7
23	Wood Screw D6x70mm	Steel	80
24	Cover	Wood	16
25	Beam	Wood	2
26	Rafter	Wood	6
27	Collar Tie	Wood	3
28	Bolt M6x50mm	Steel	6
29	Washer 6mm small	Steel	18
30	Dowel	Steel	3
31	Ridge	Wood	1

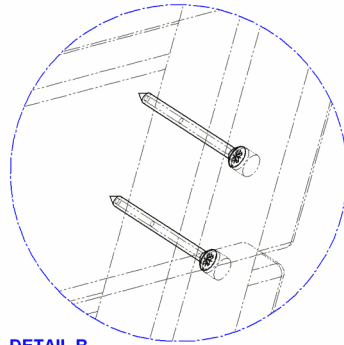
Fasteners



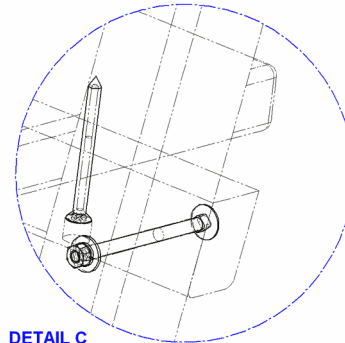
Details from previous drawings



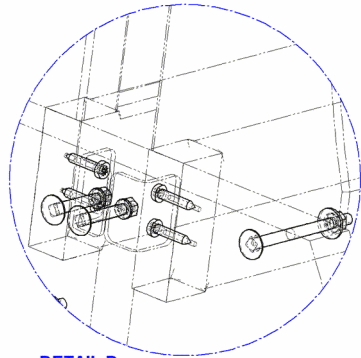
DETAIL A



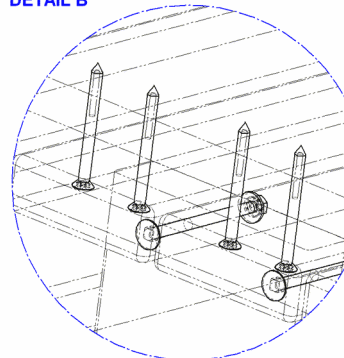
DETAIL B



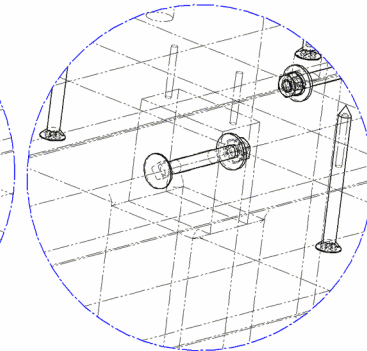
DETAIL C



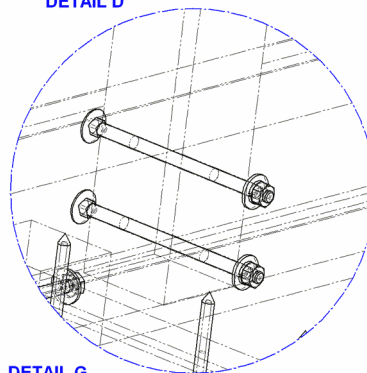
DETAIL D



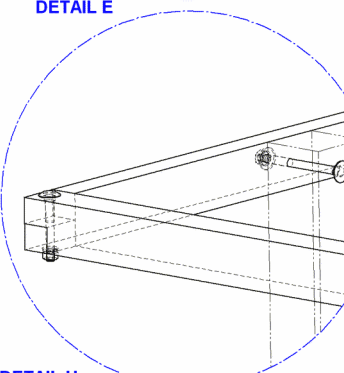
DETAIL E



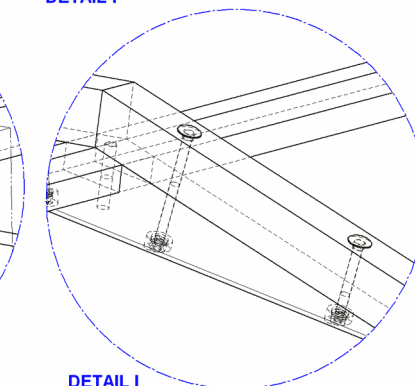
DETAIL F



DETAIL G

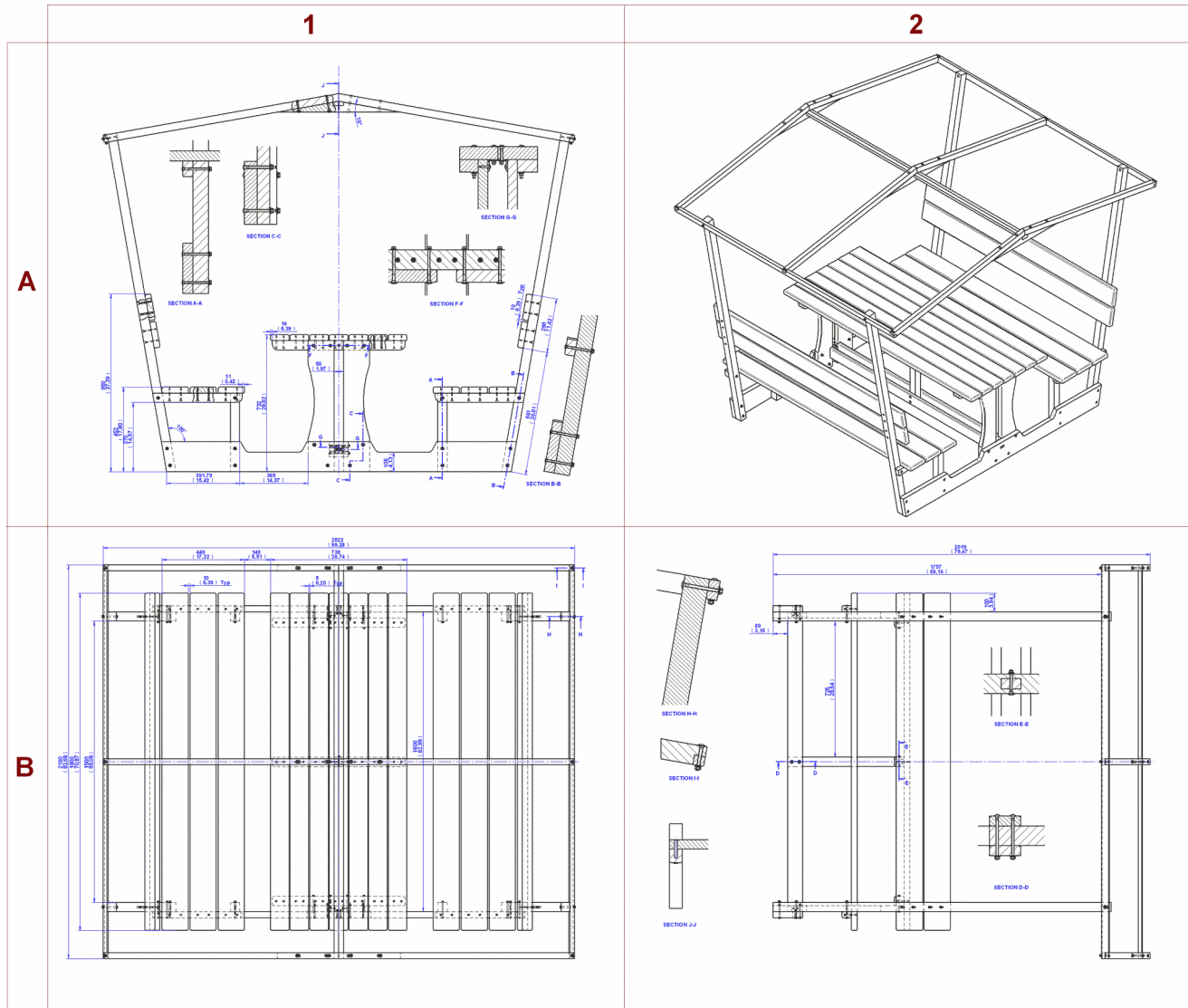


DETAIL H

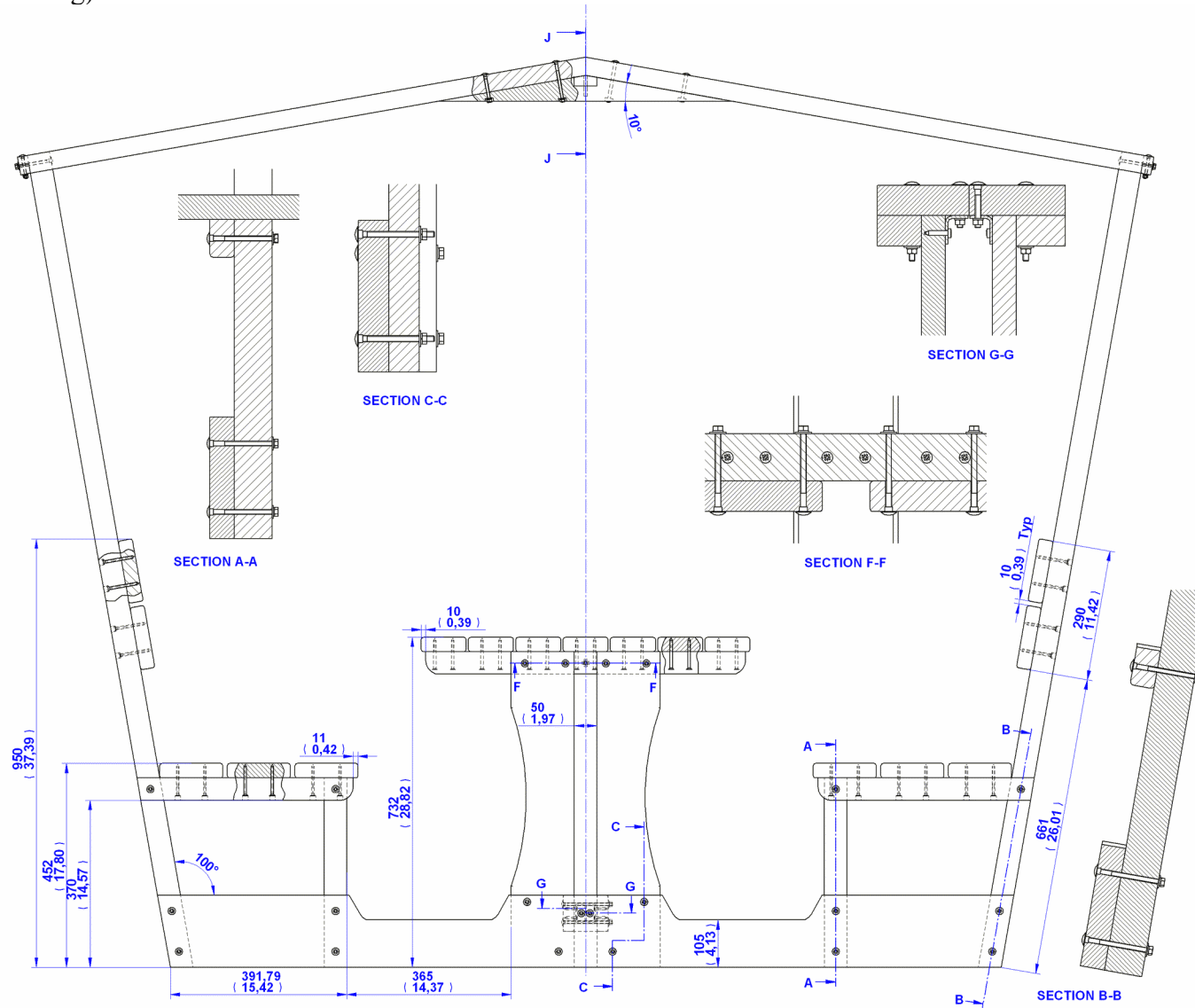


DETAIL I

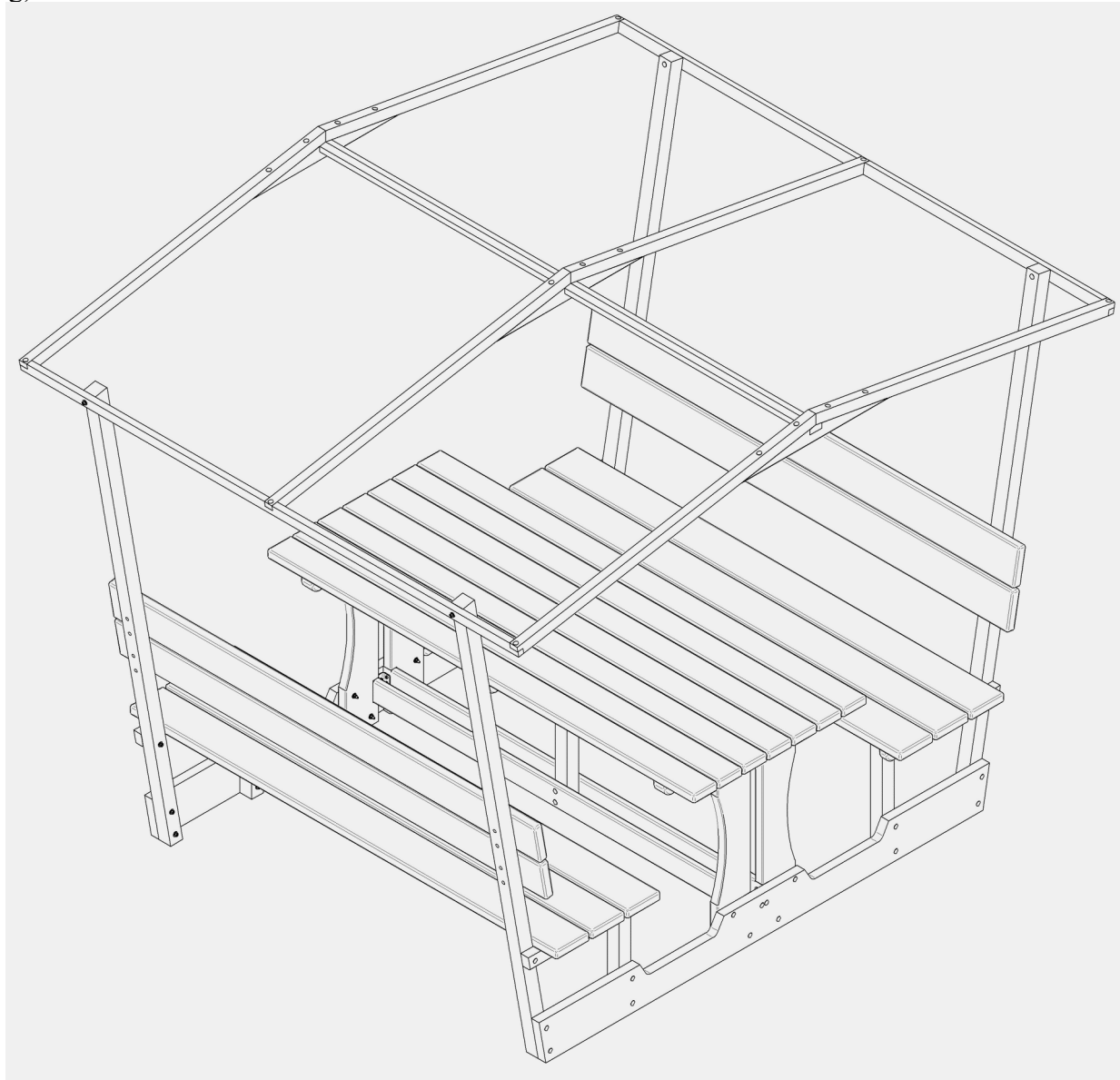
Assembly Drawing



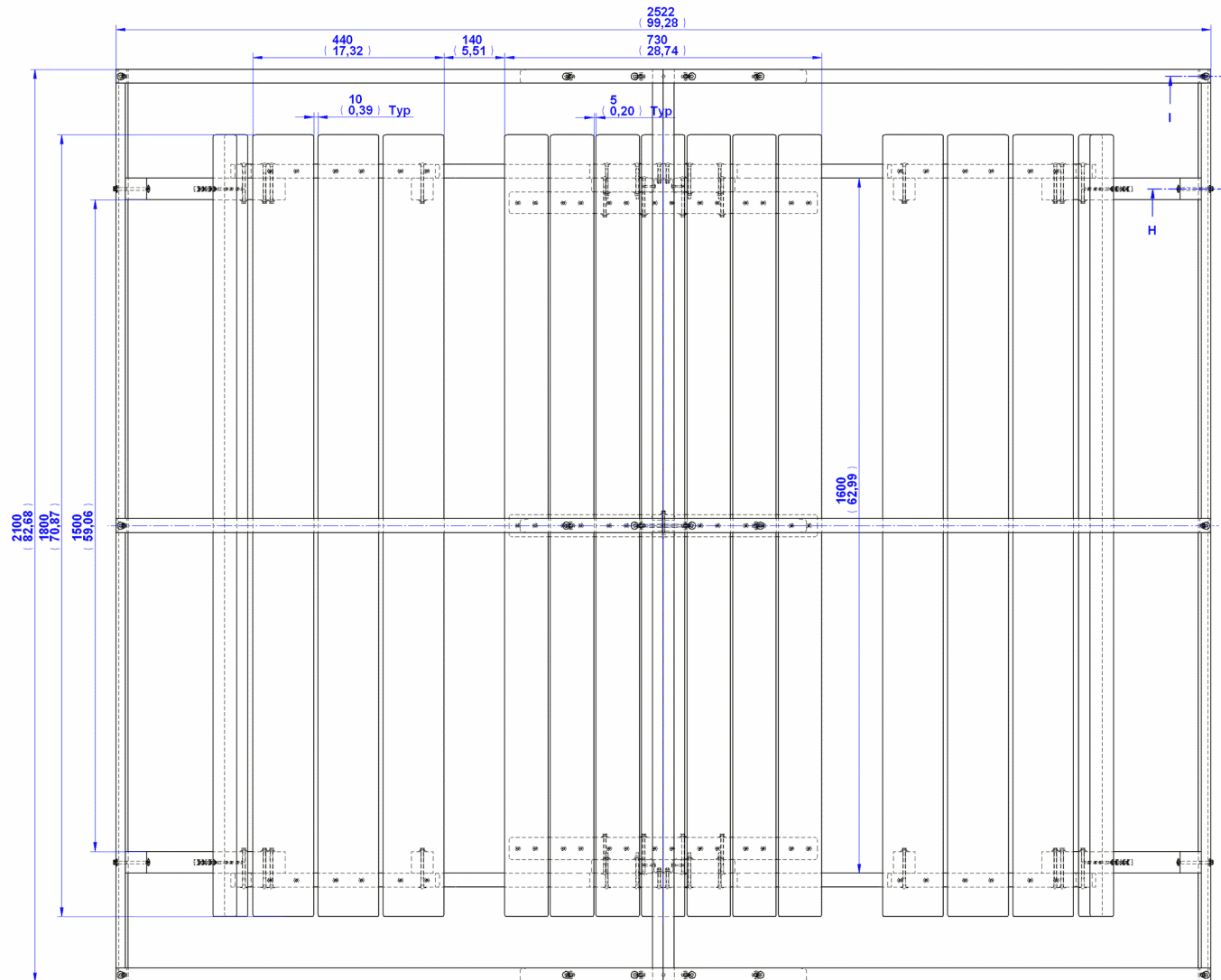
Segment A1 (Assembly Drawing)



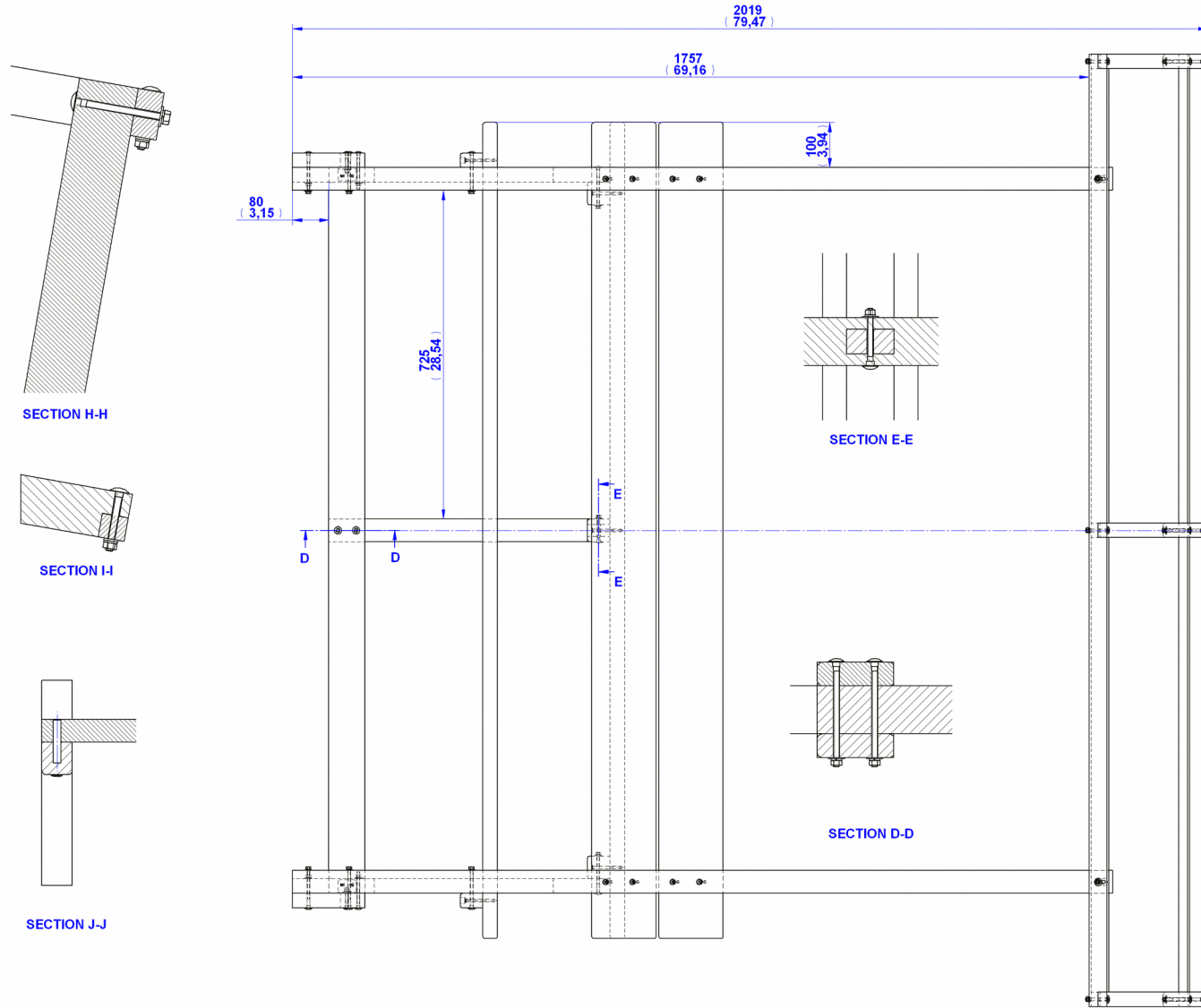
Segment A2 (Assembly Drawing)



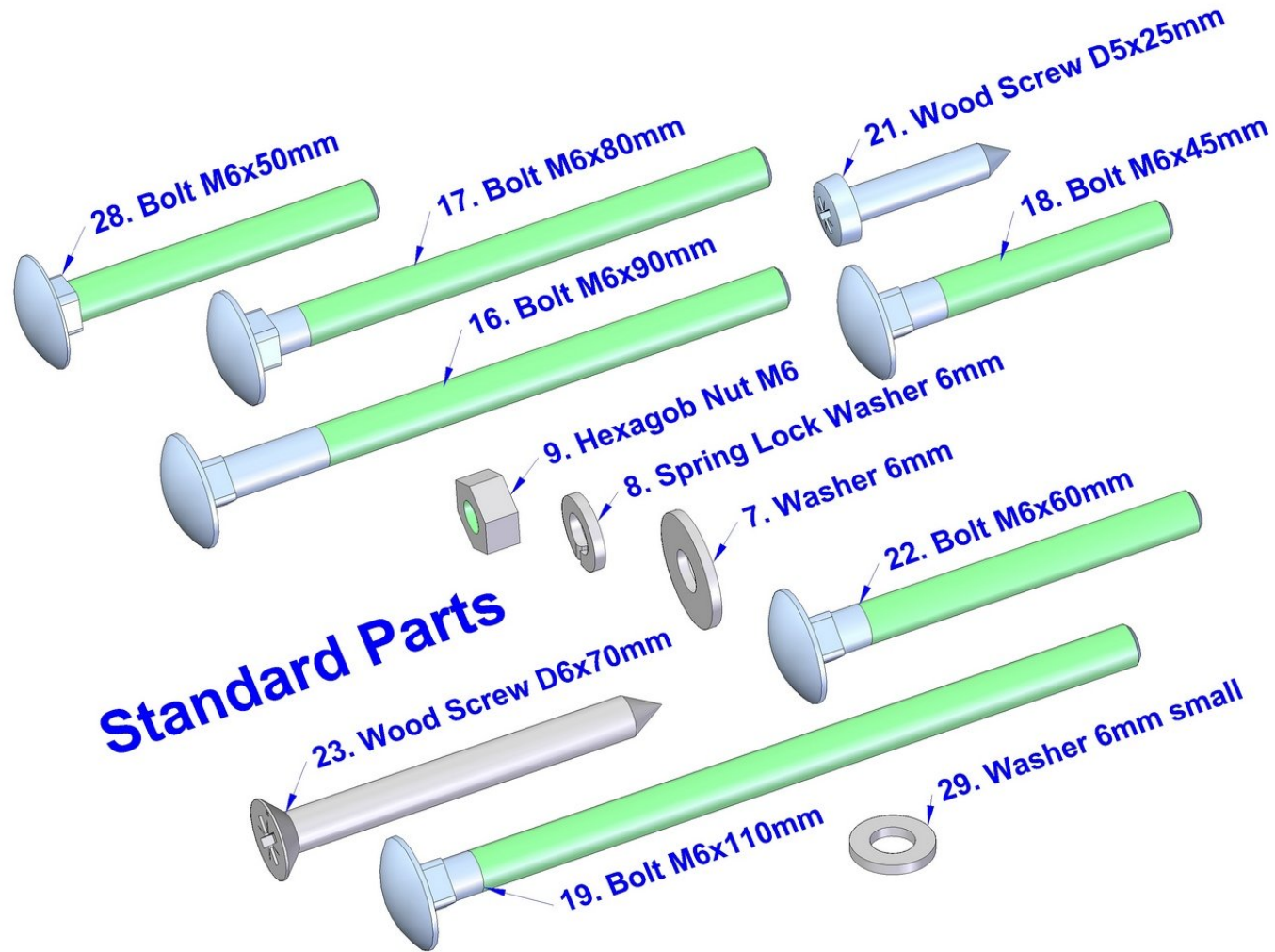
Segment B1 (Assembly Drawing)

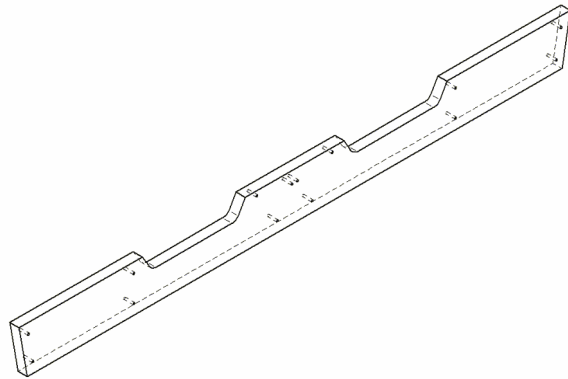
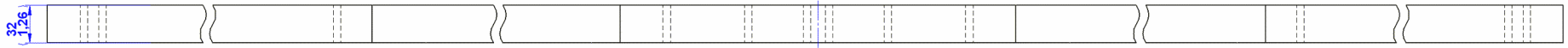
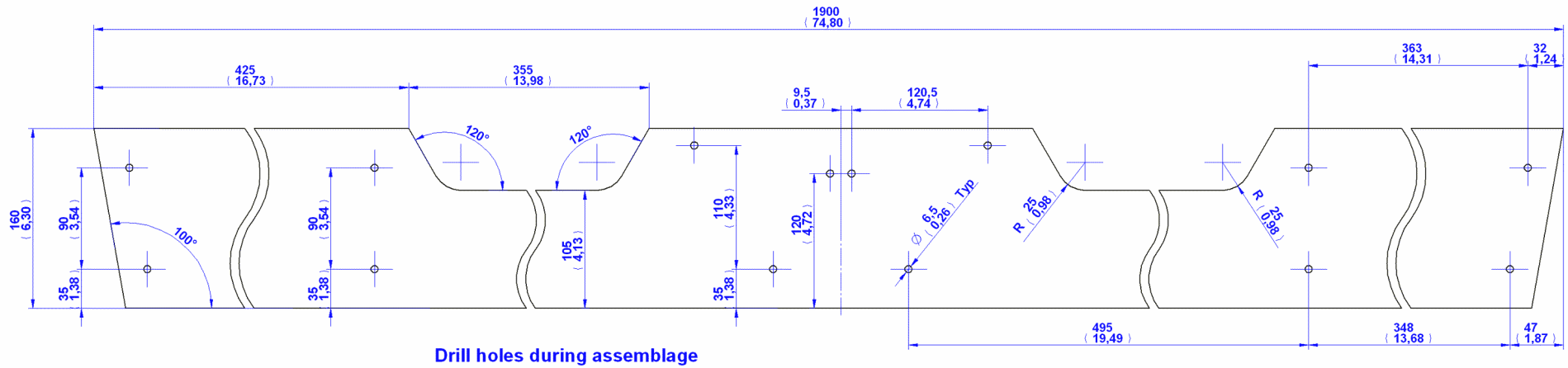


Segment B2 (Assembly Drawing)

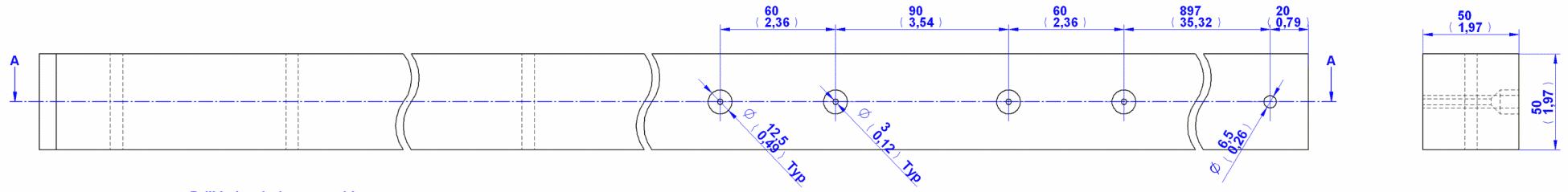


Standard Parts

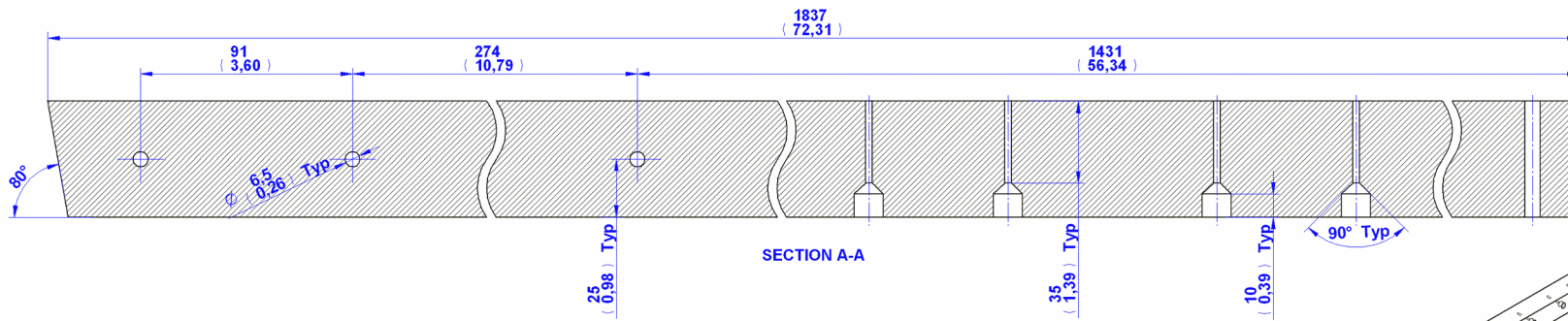




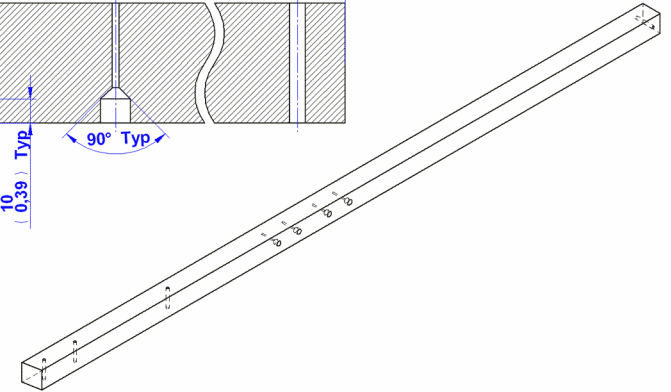
1. Rail

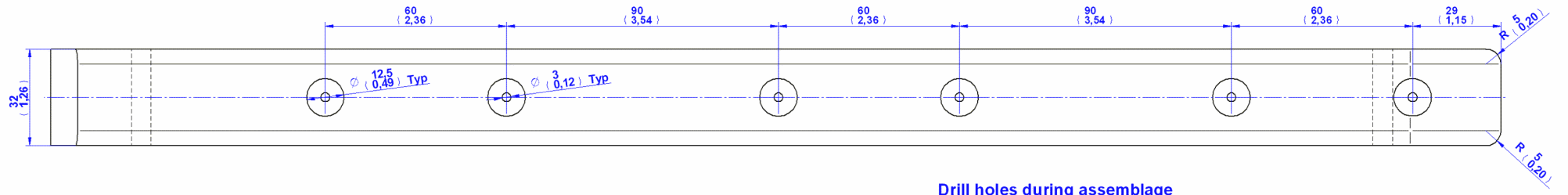


Drill holes during assemblage

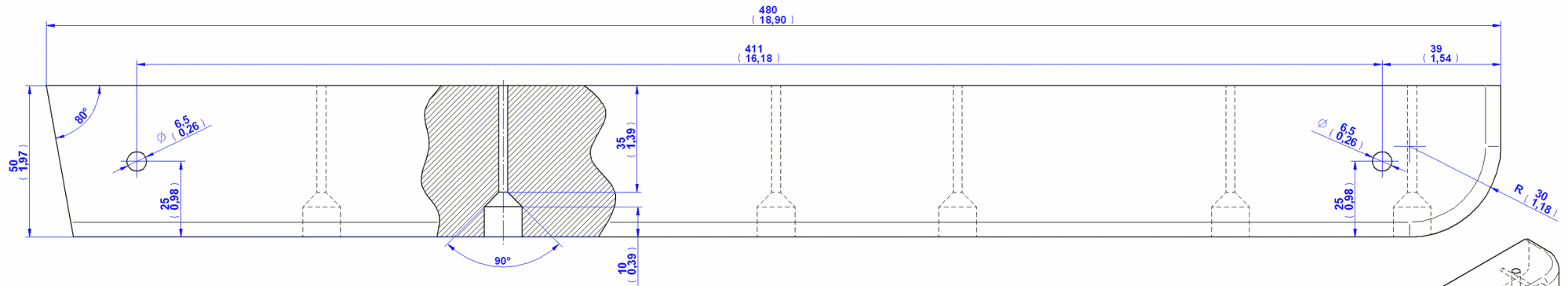


2. Back Bench Leg

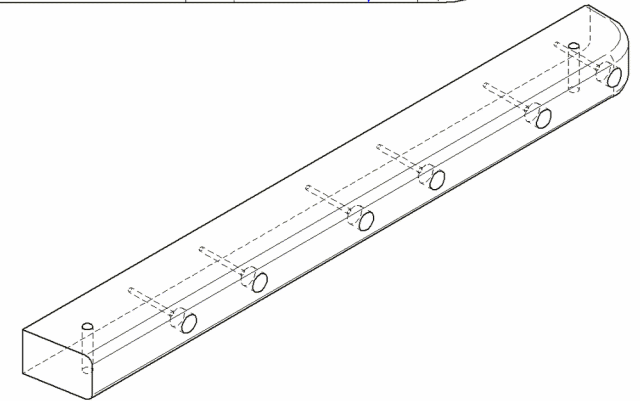


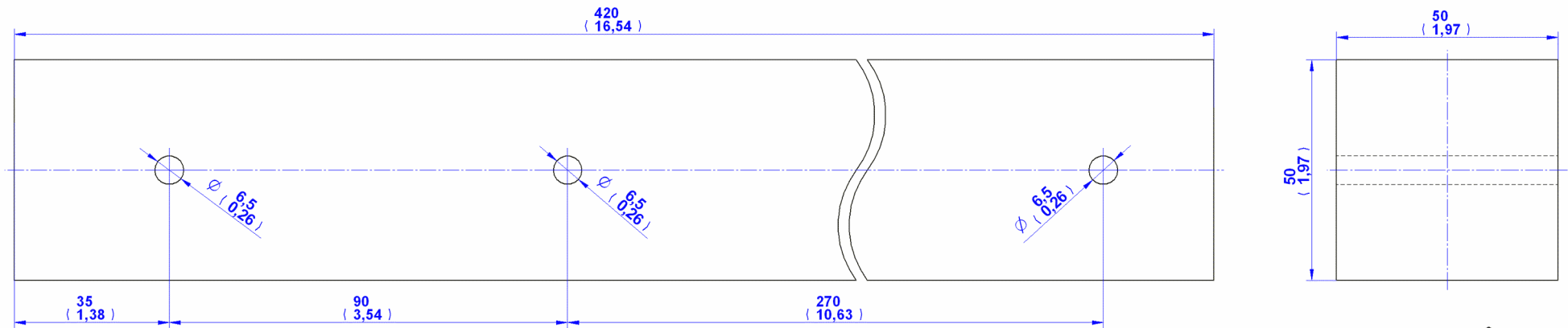


Drill holes during assemblage



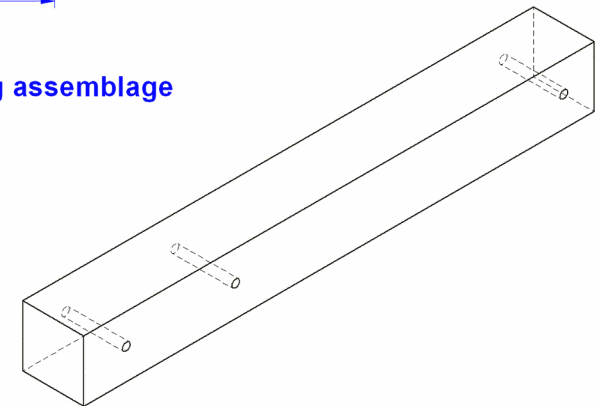
3. Seat Cleat

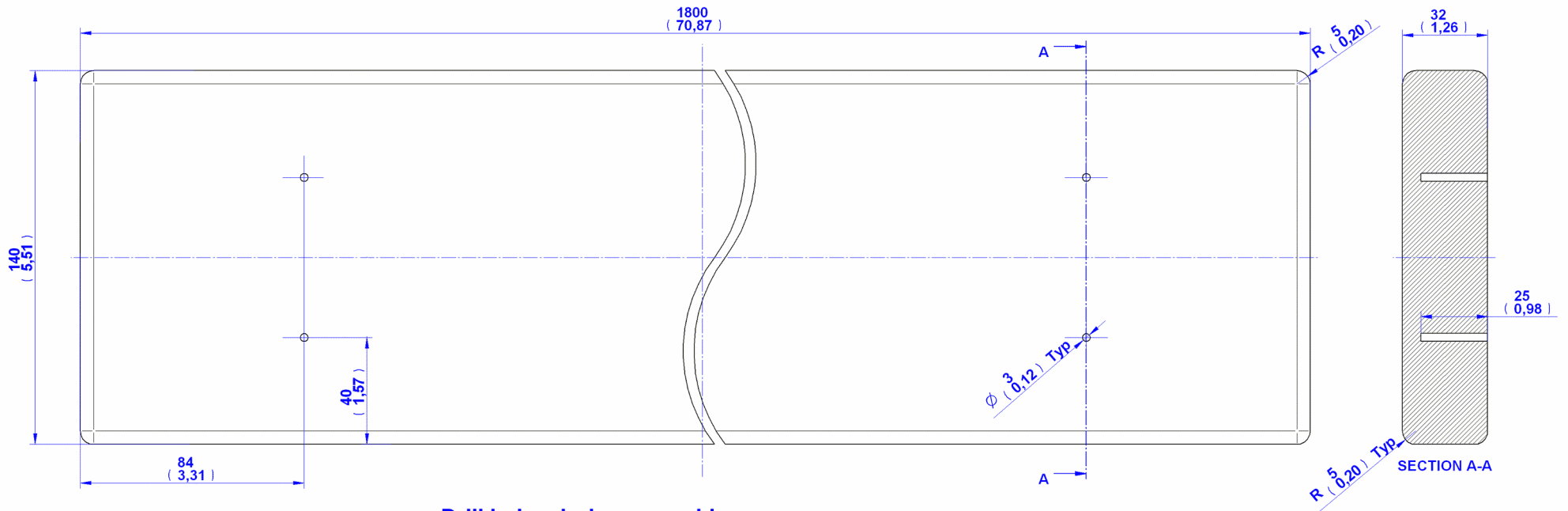




Drill holes during assemblage

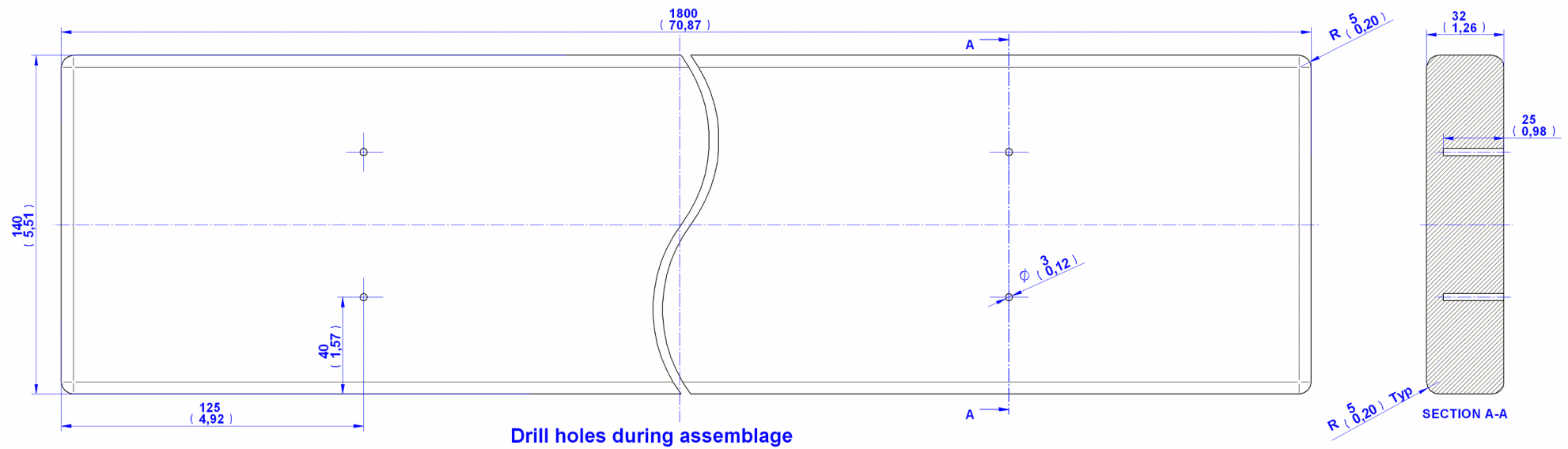
4. Front Bench Leg



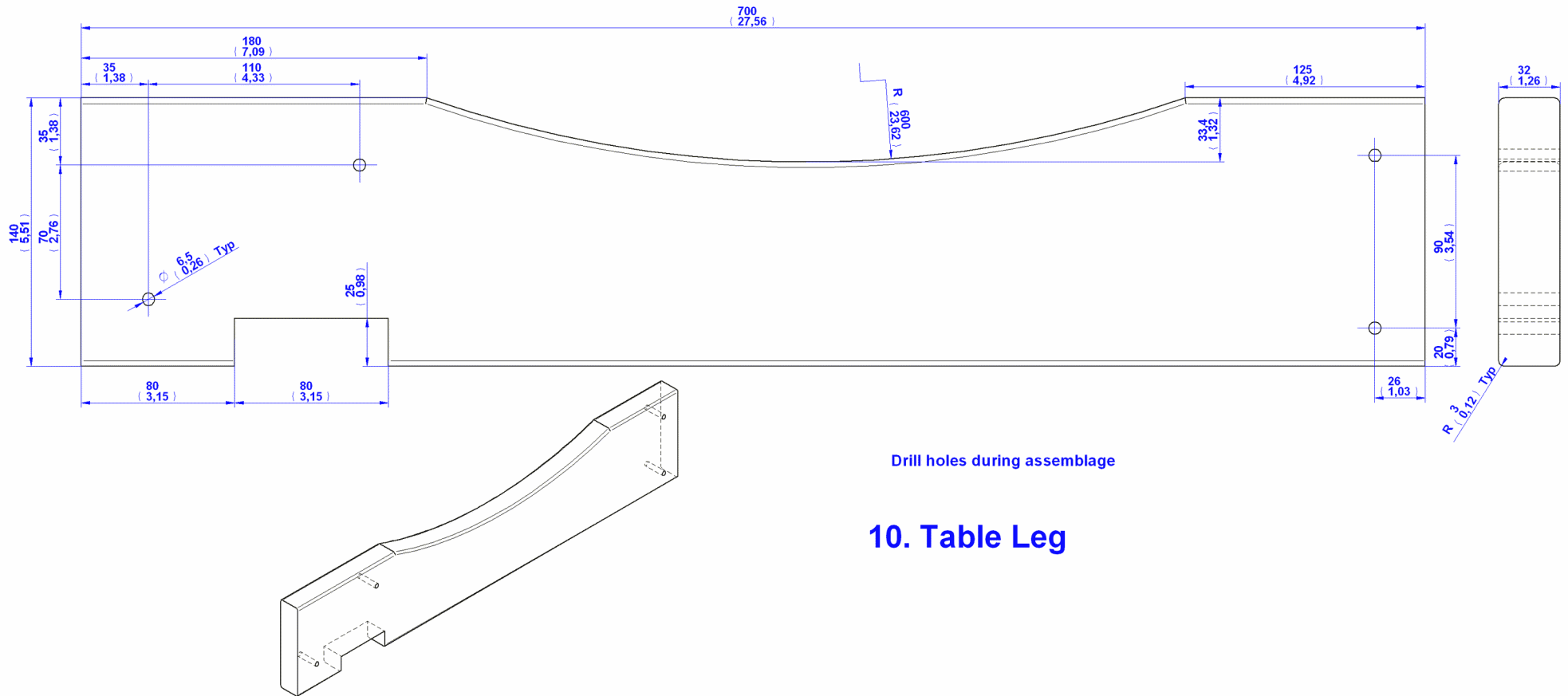


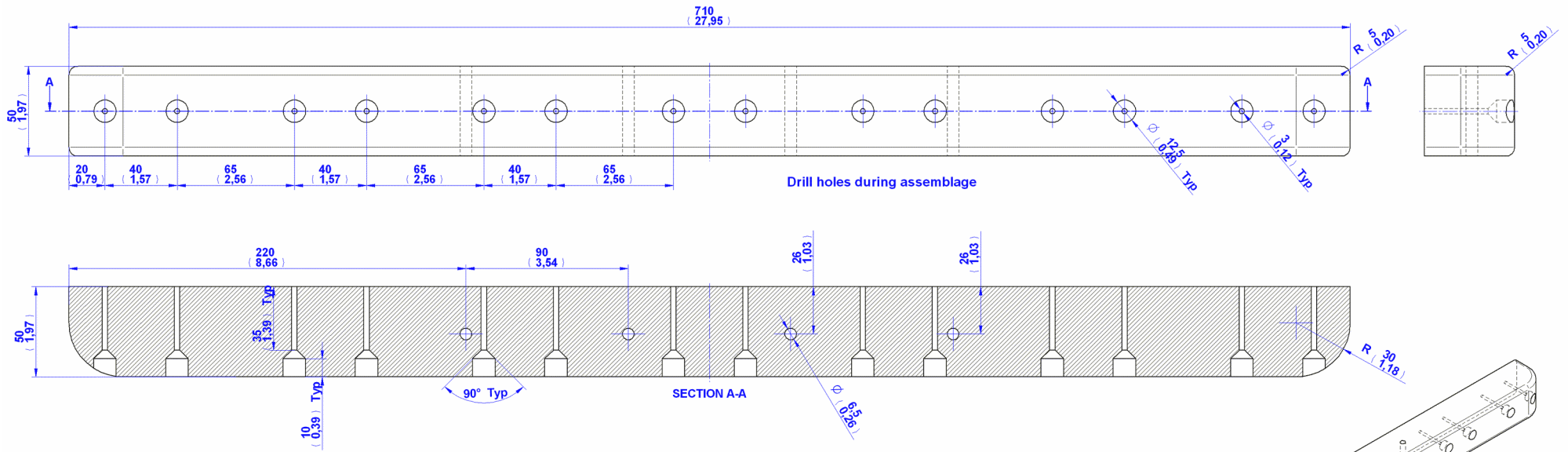
Drill holes during assemblage

5. Seat Slat

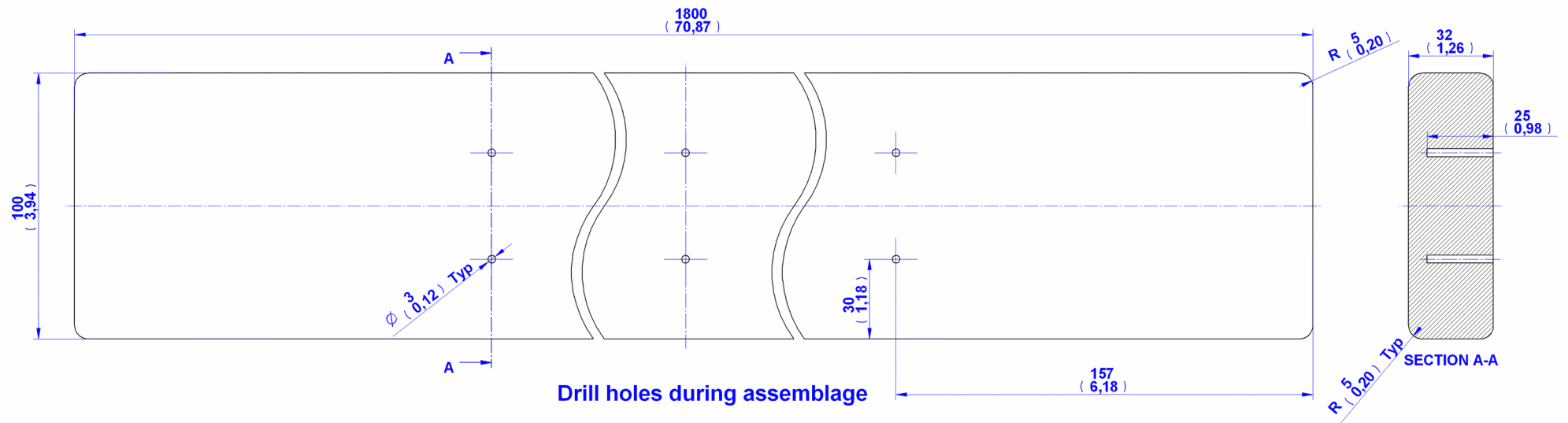


6. Back Slat

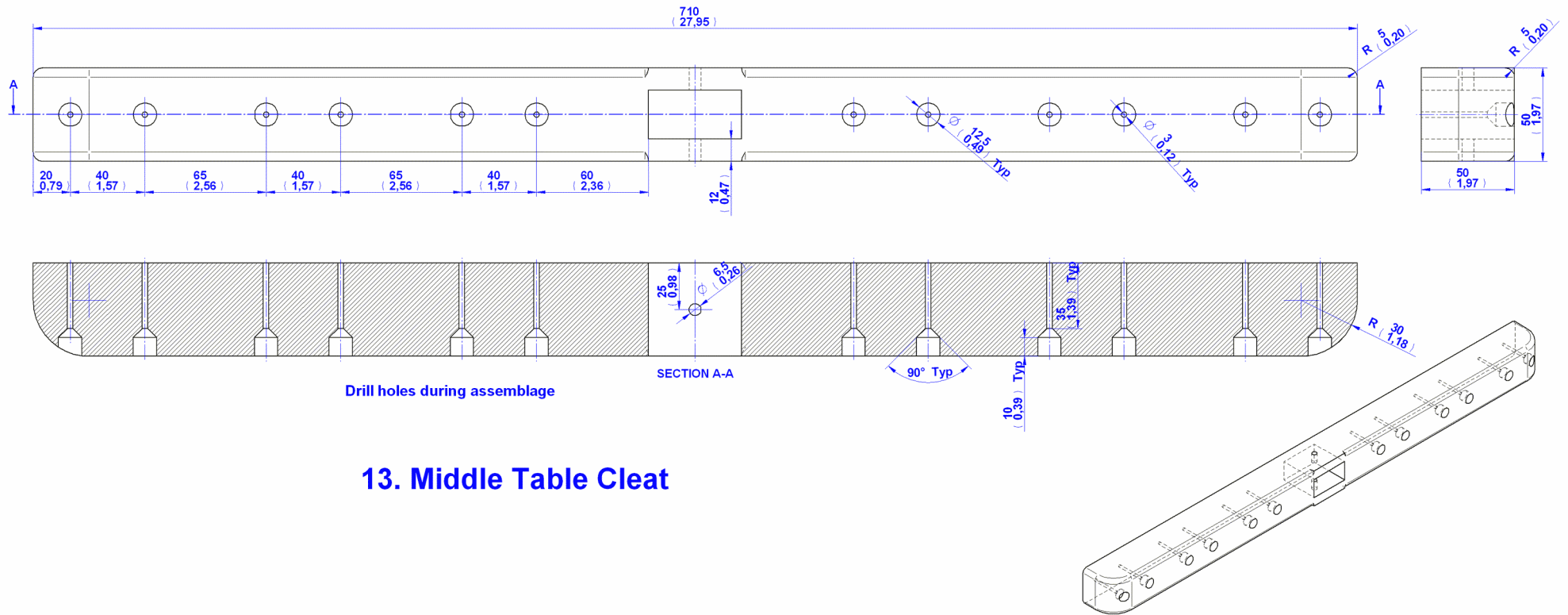




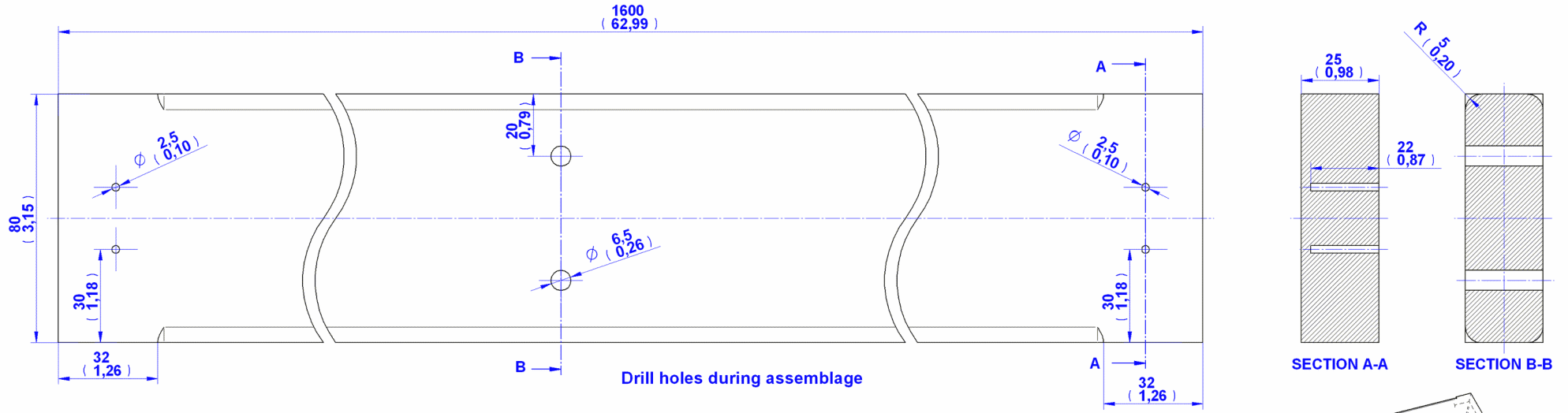
11. Table Cleat



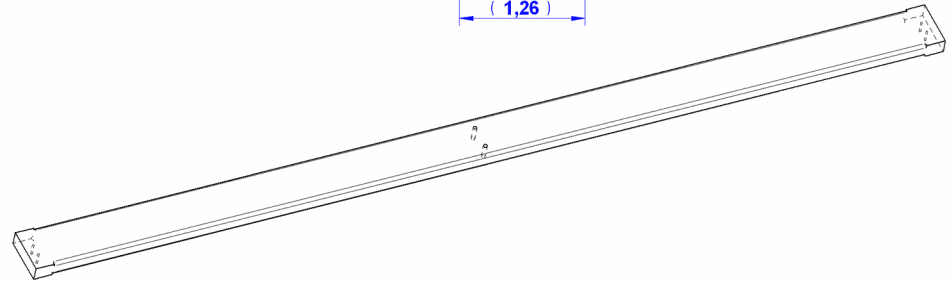
12. Table Slat

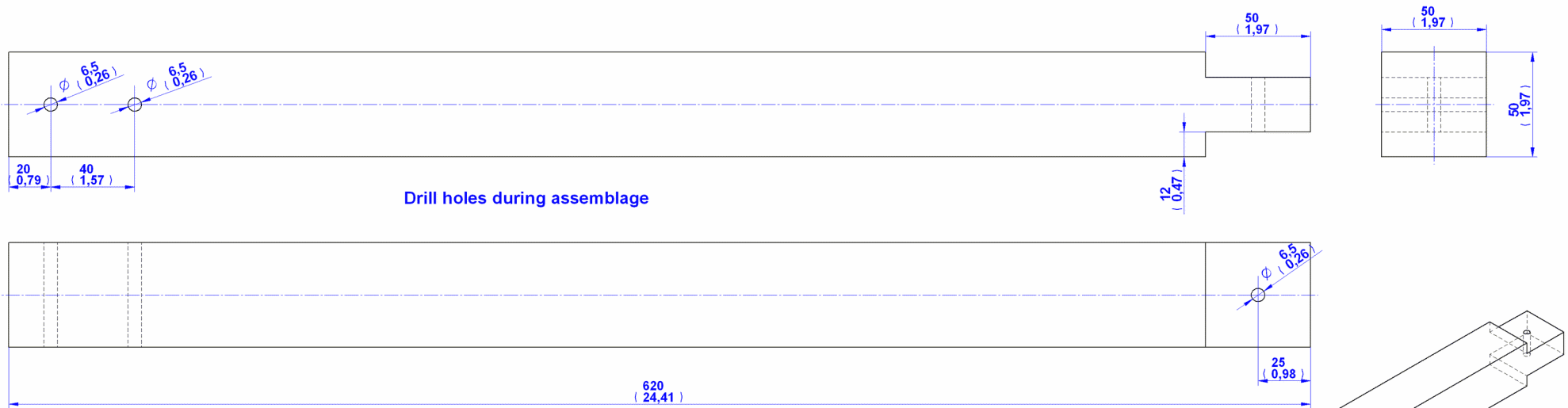


13. Middle Table Cleat



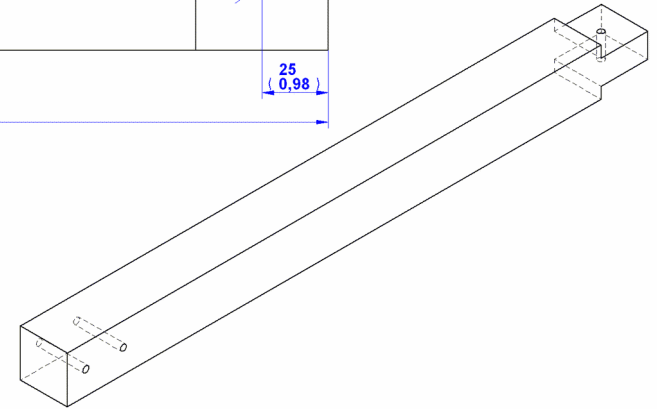
14. Table Stretcher

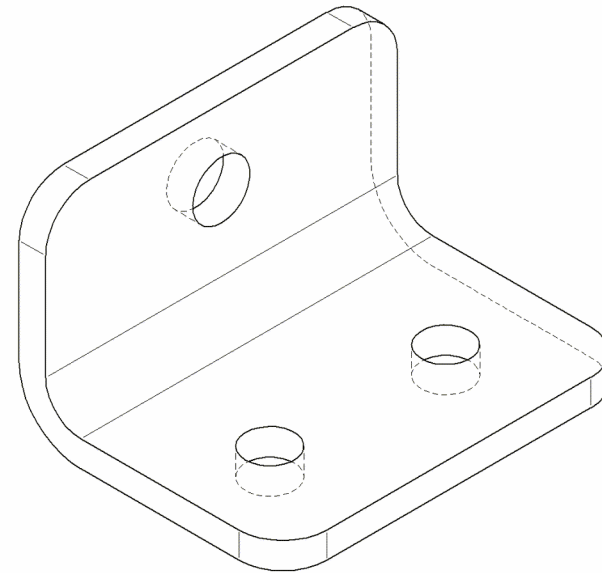
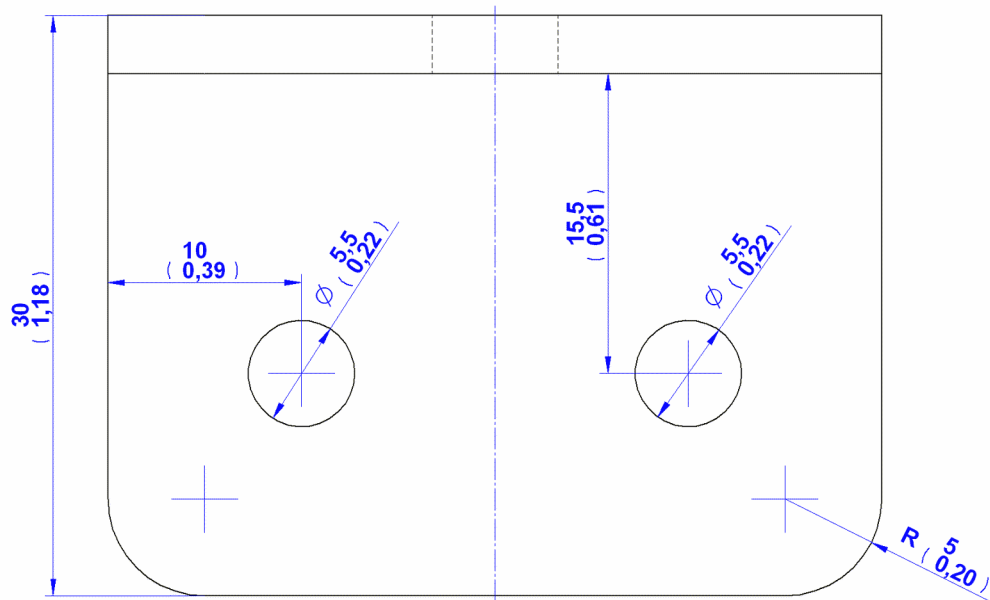
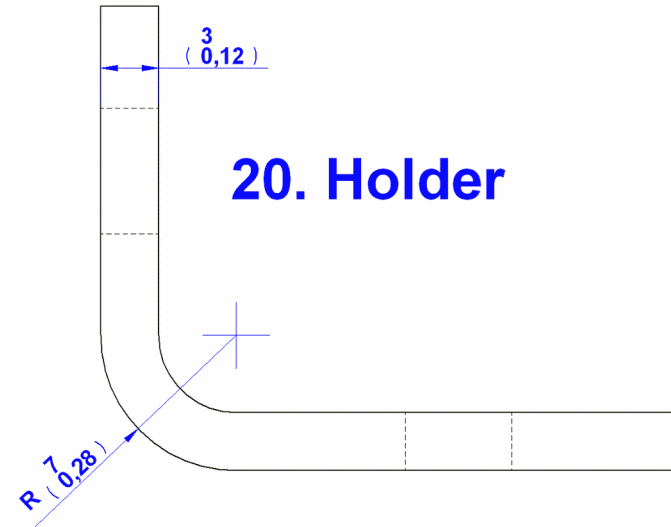
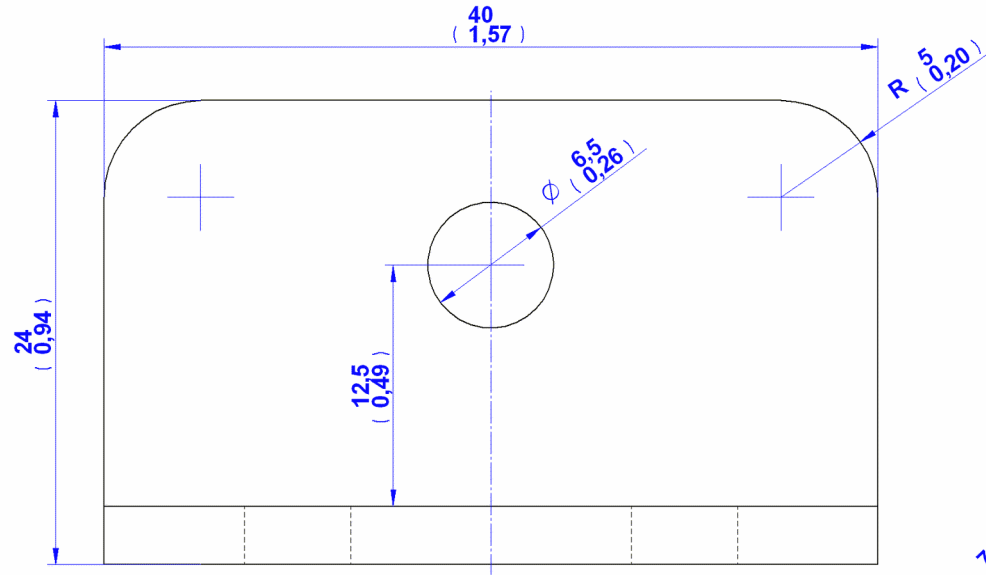


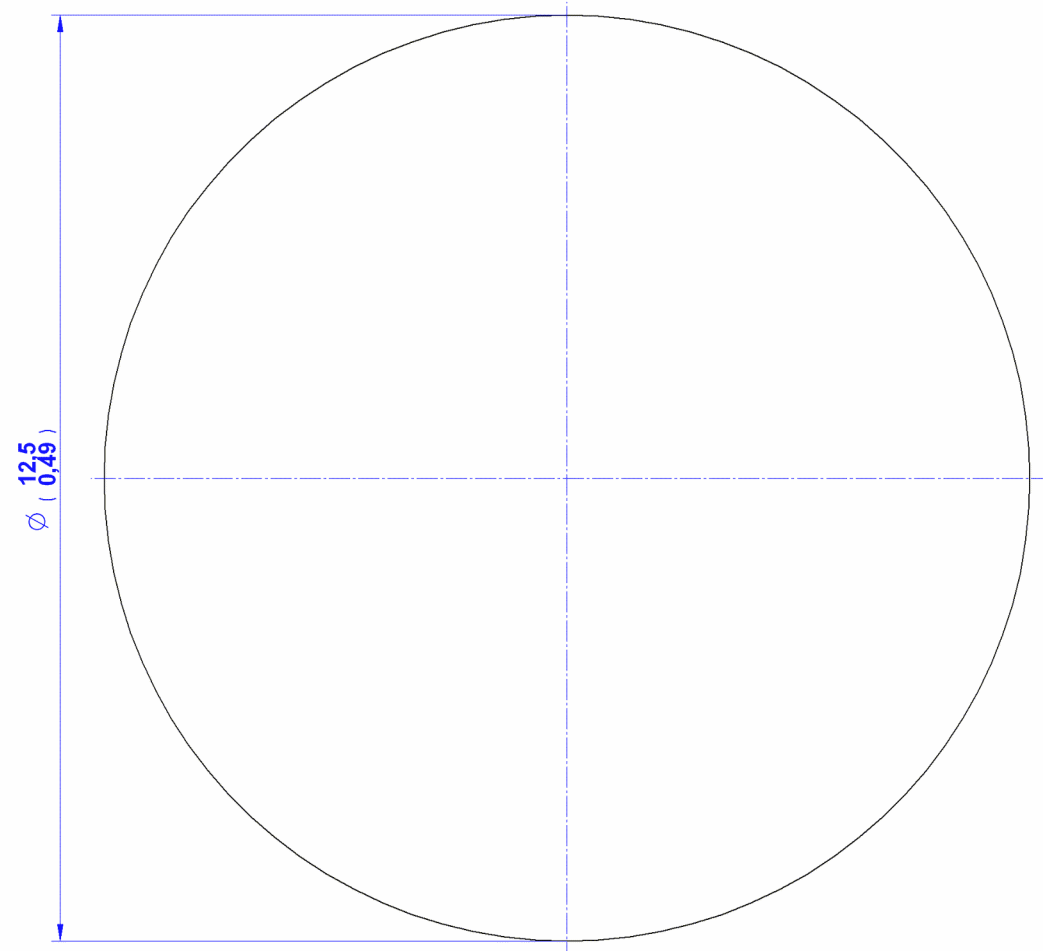
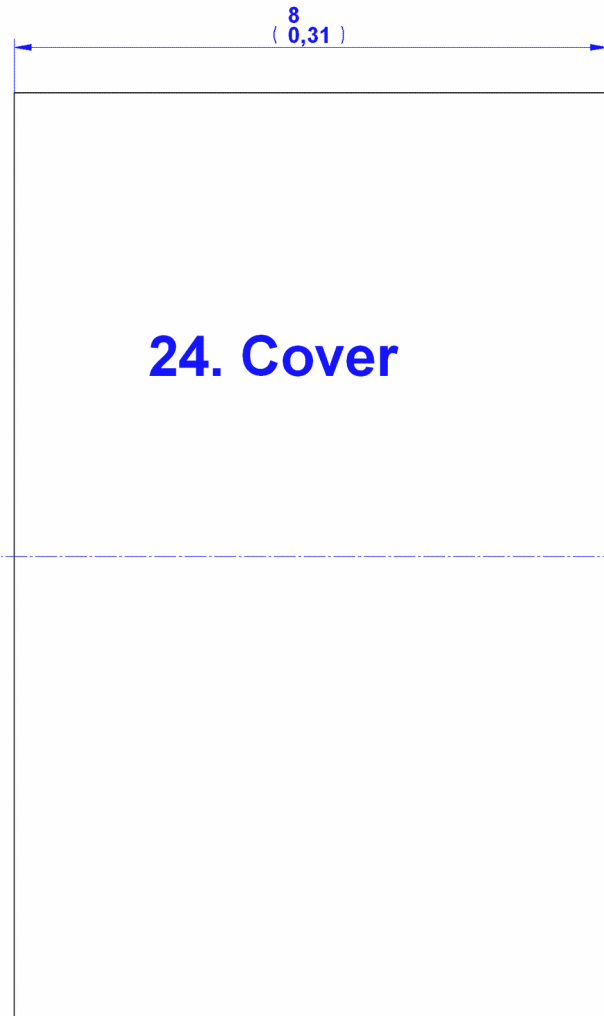


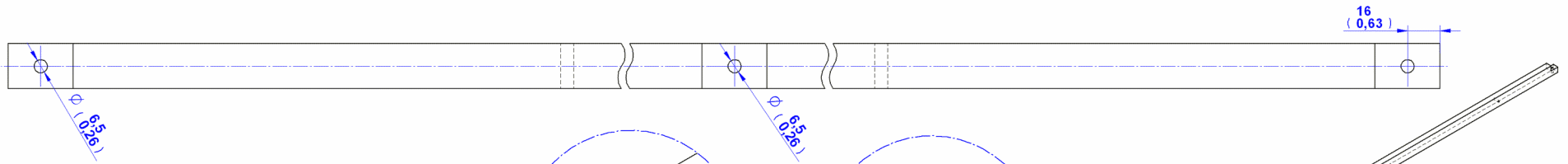
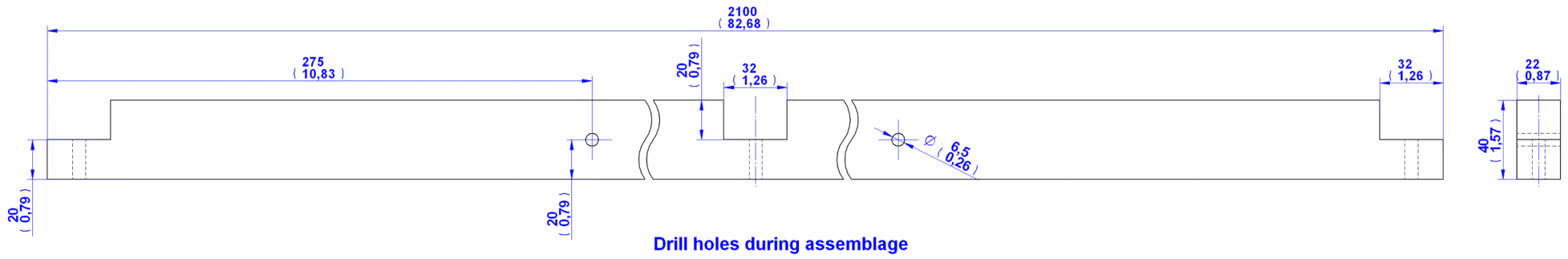
Drill holes during assemblage

15. Vertical Support

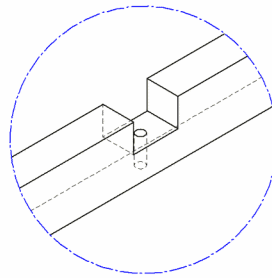




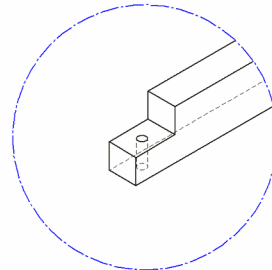




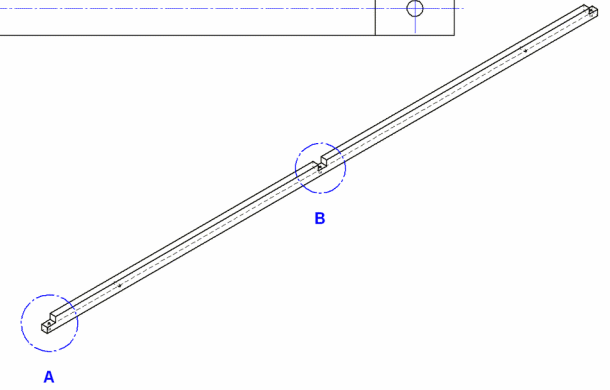
25. Beam



DETAIL B

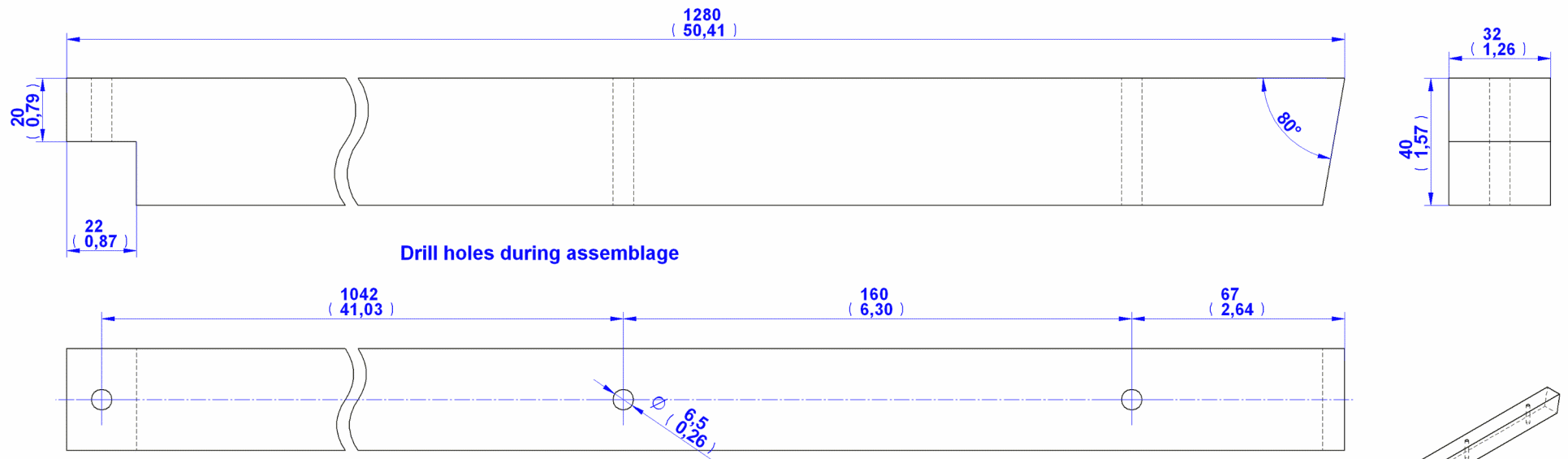


DETAIL A

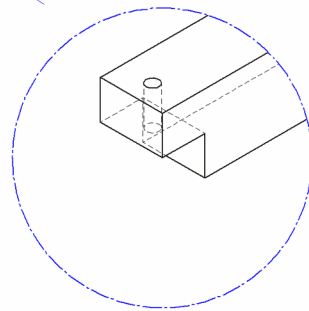


A

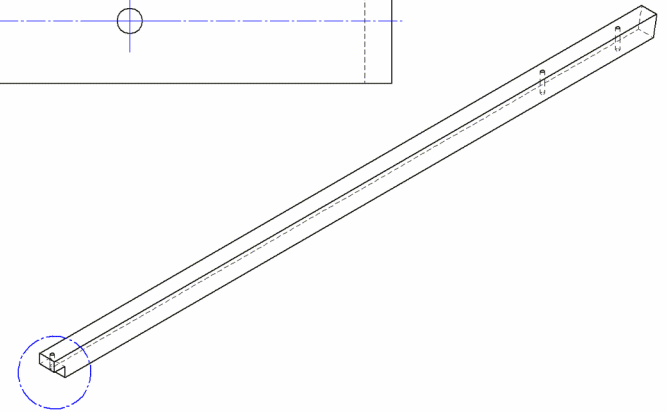
B



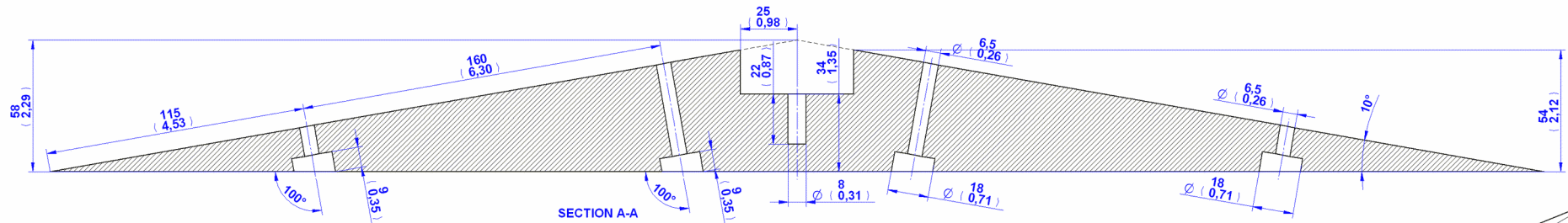
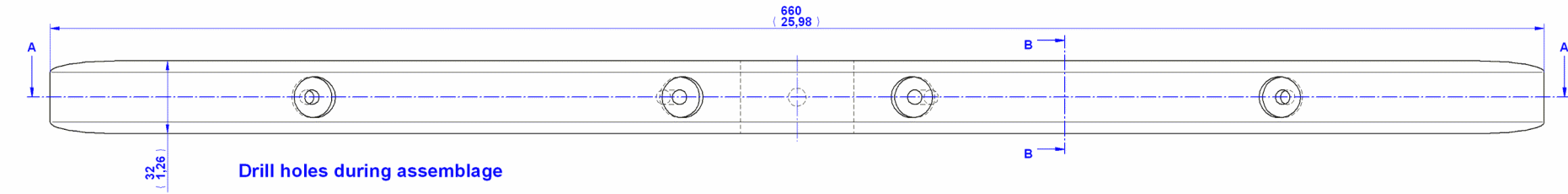
26. Rafter



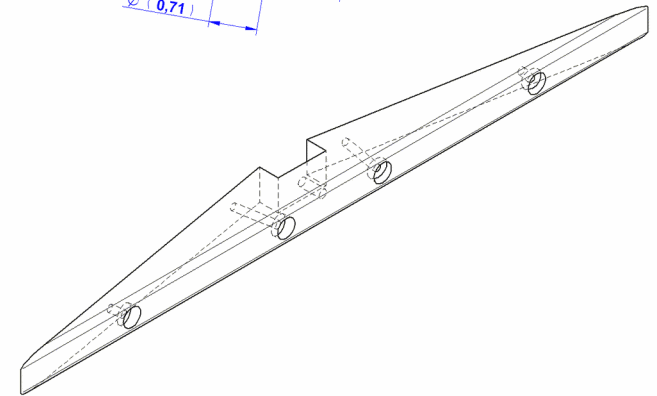
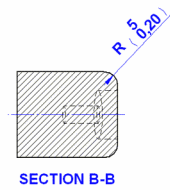
DETAIL A

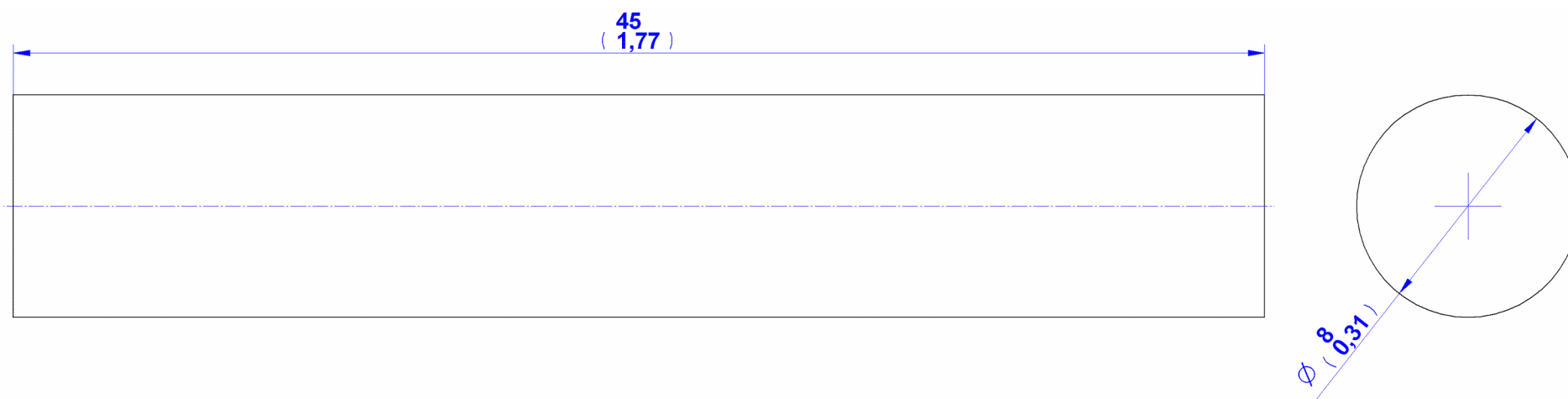


A

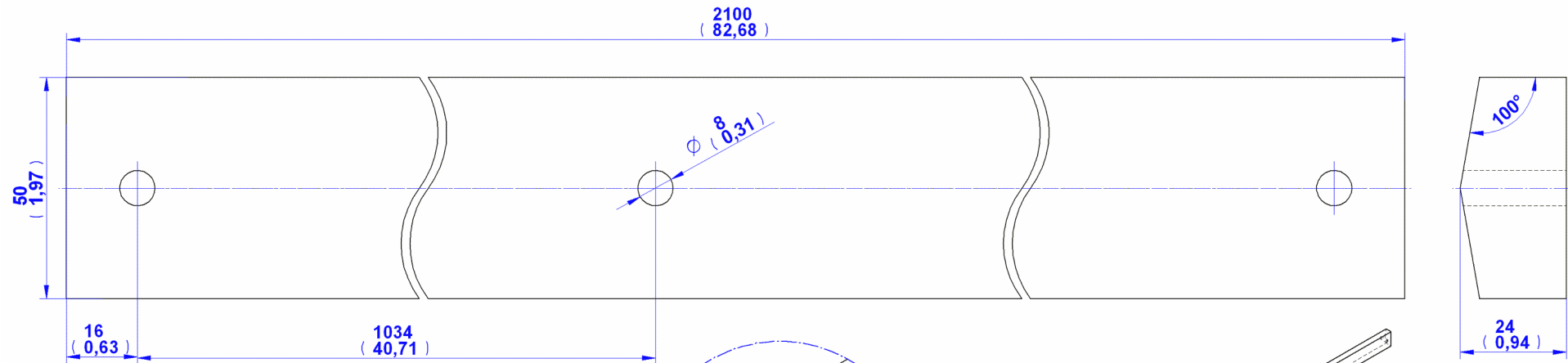


27. Collar Tie



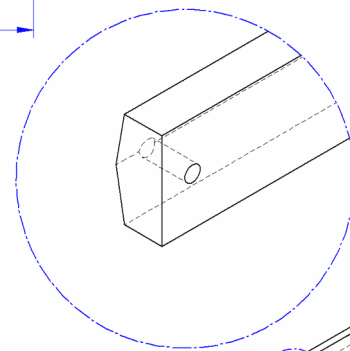


30. Dowel

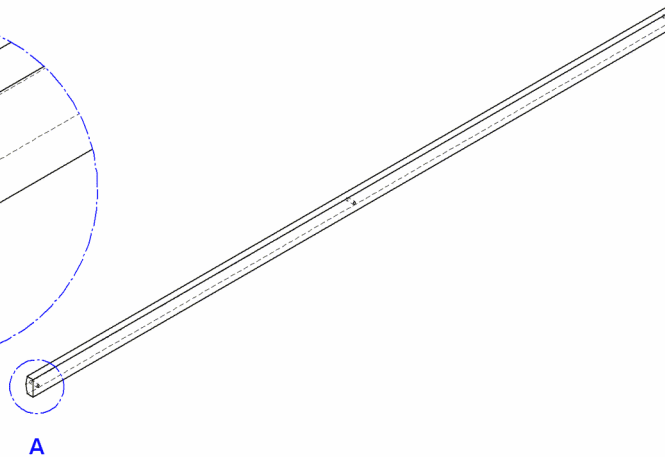


31. Ridge

Drill holes during assemblage

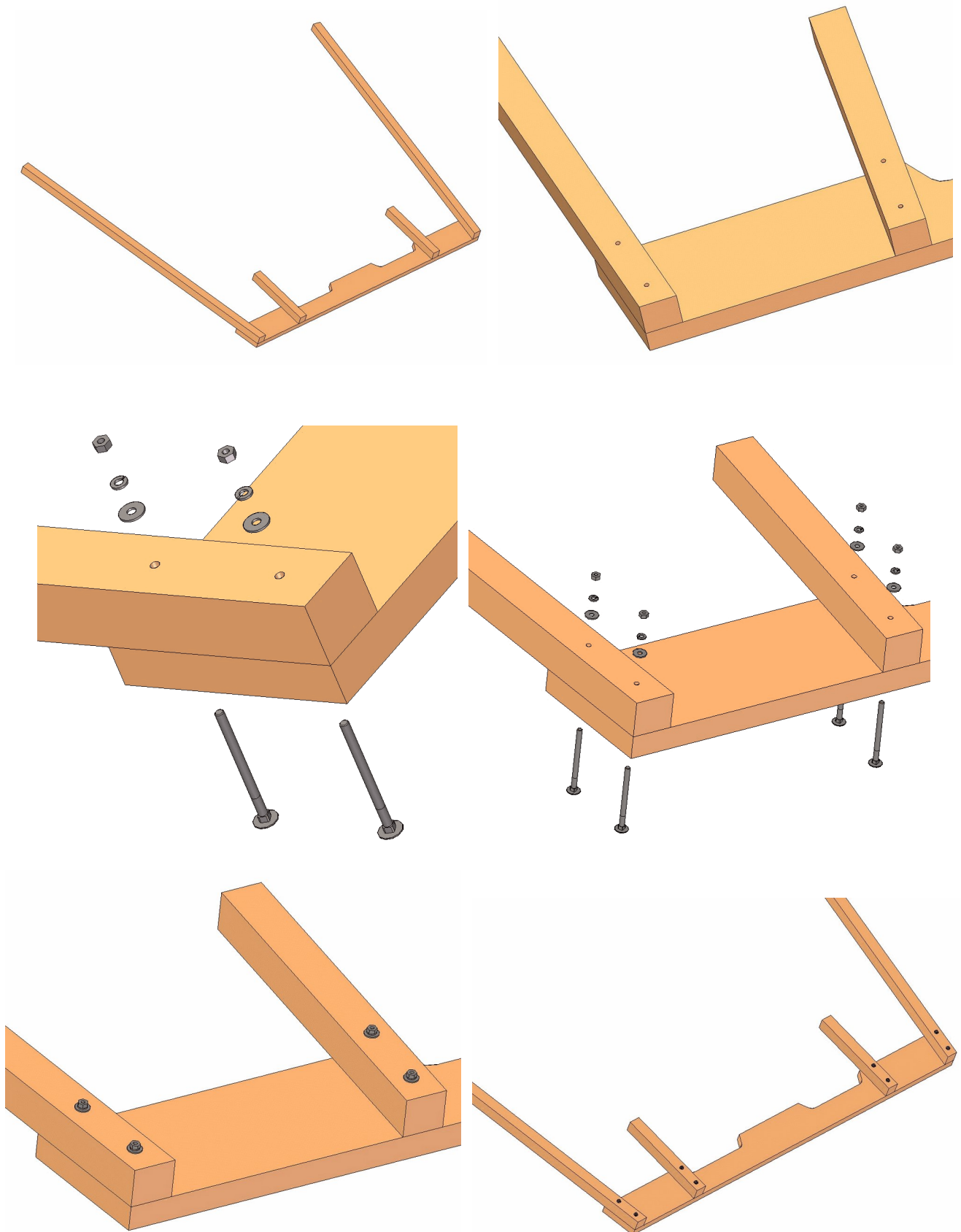


DETAIL A

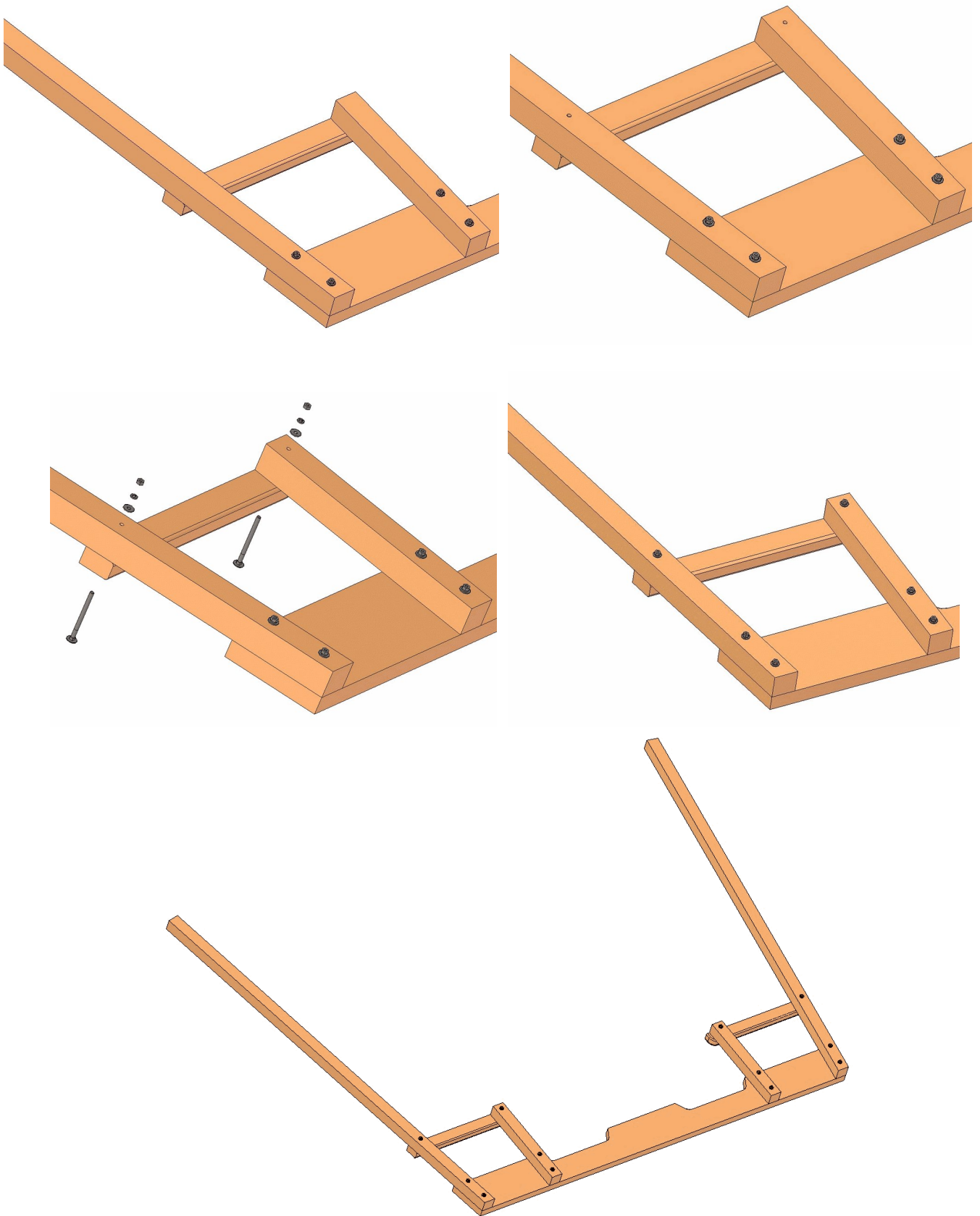


Assemblage instructions

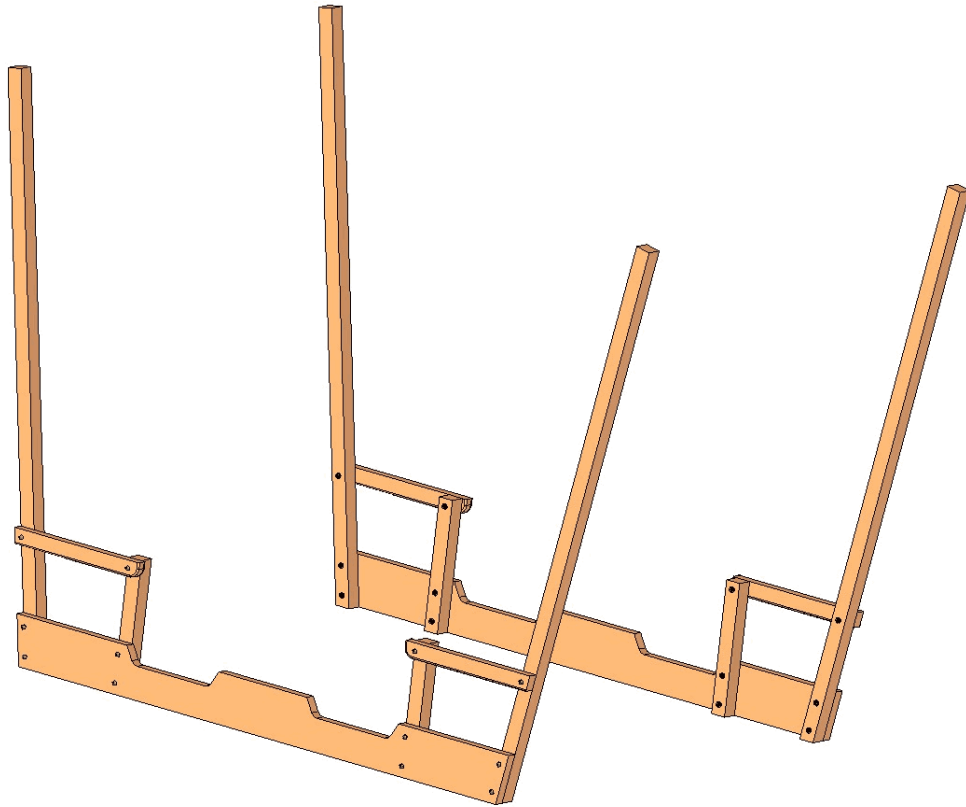
1.



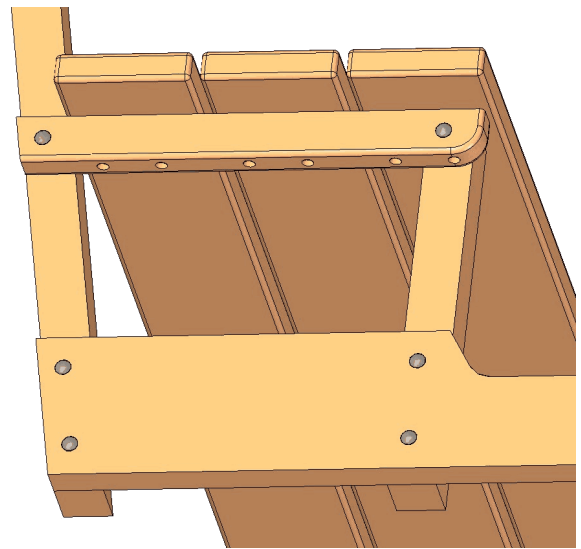
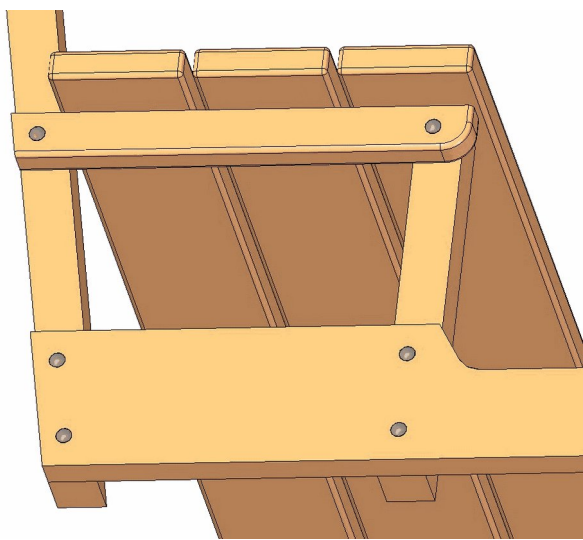
2.

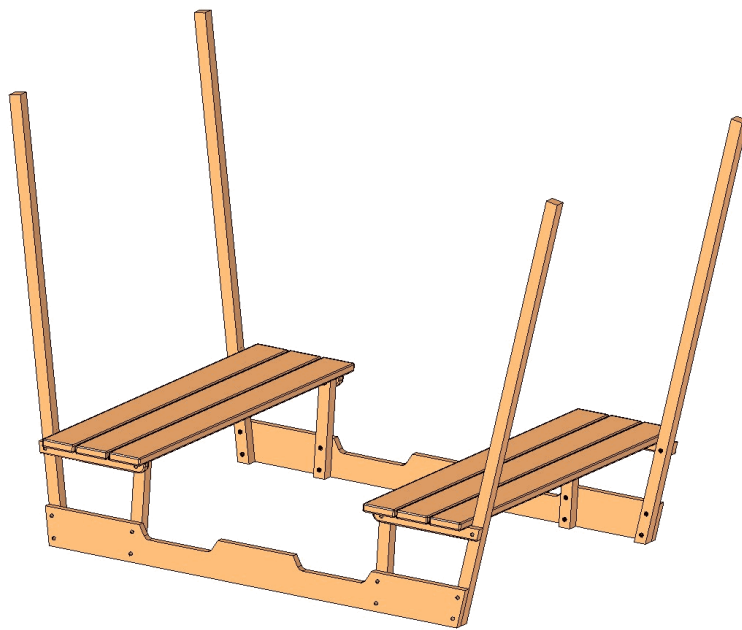
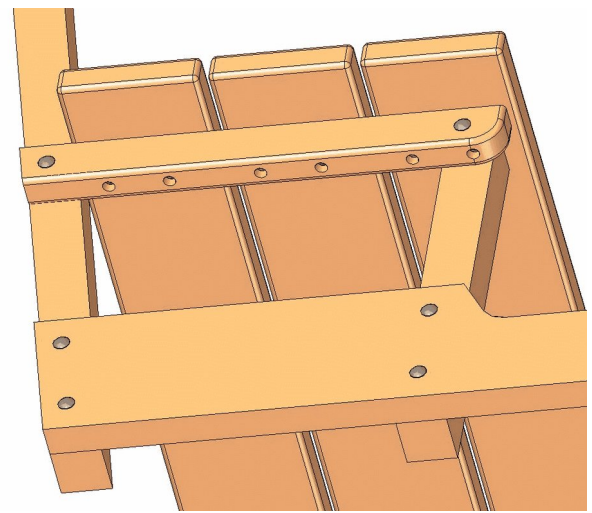
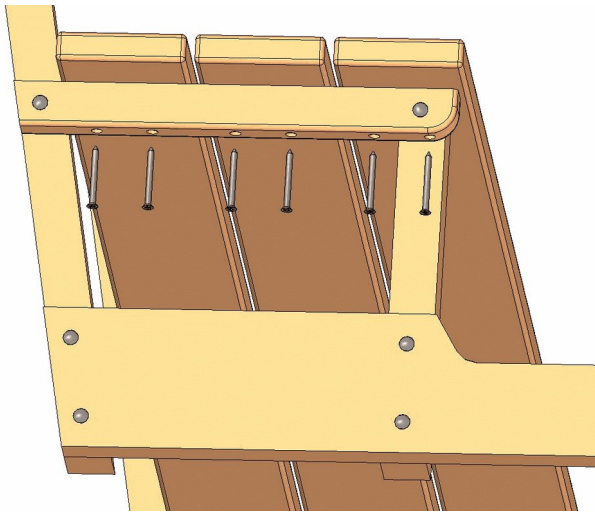


Make two of these subassemblies.

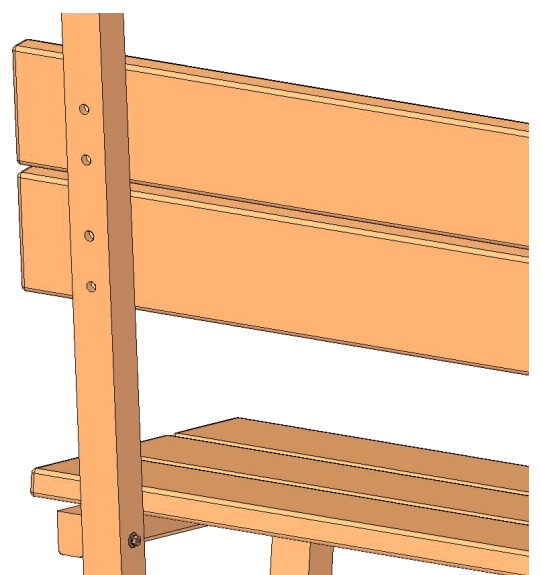
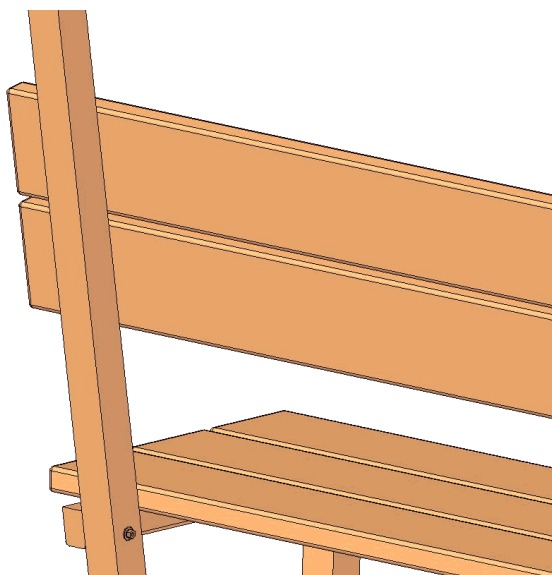


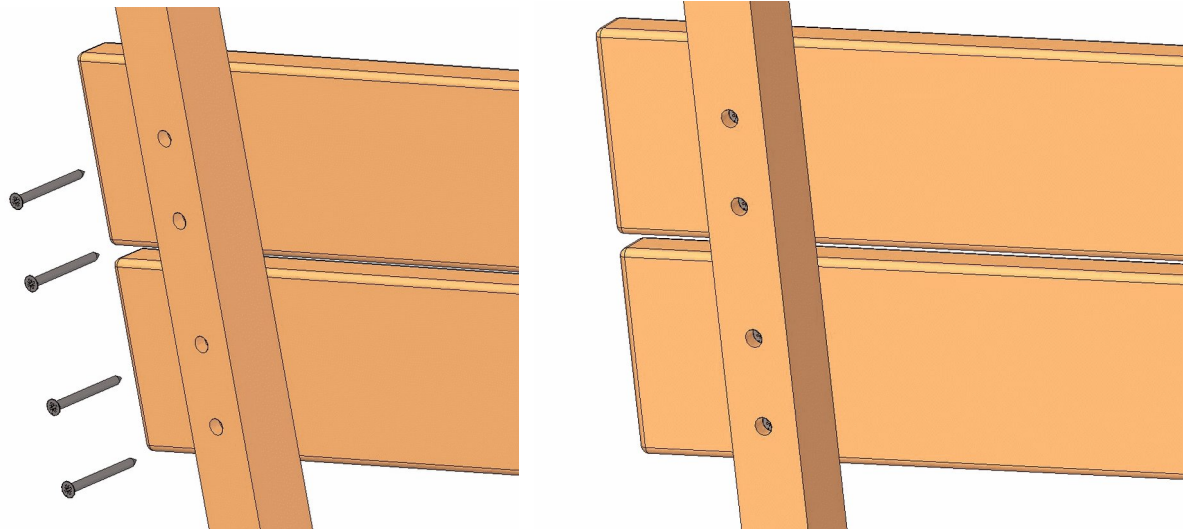
3.



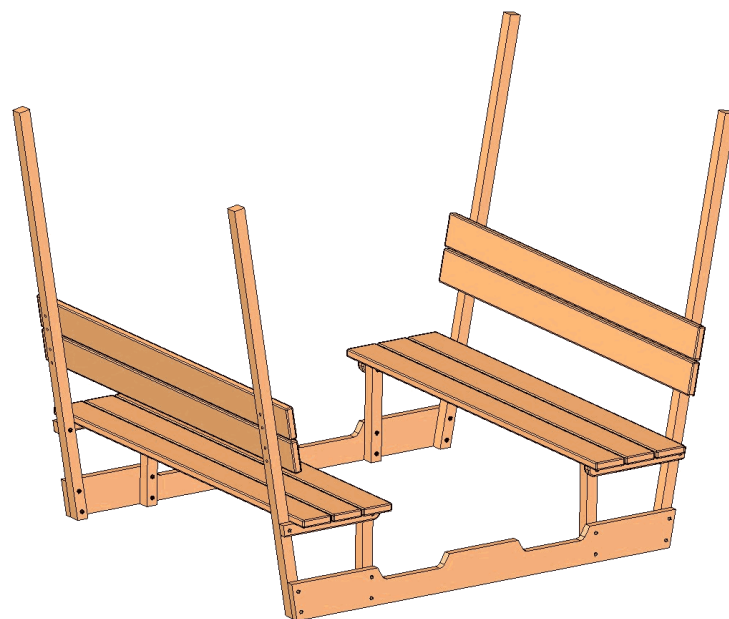
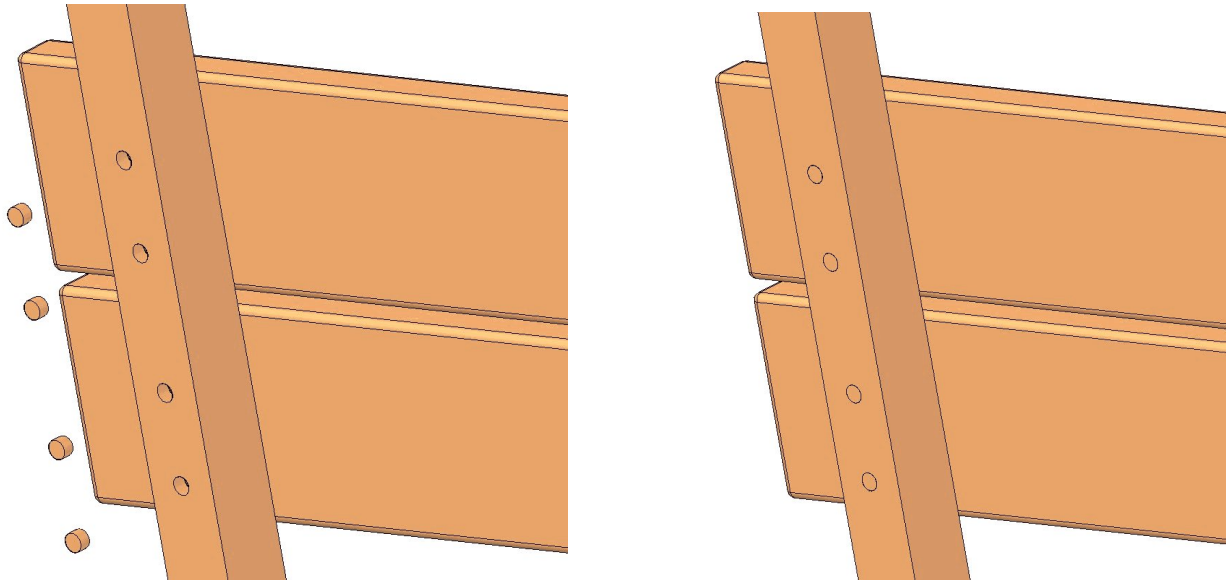


4.

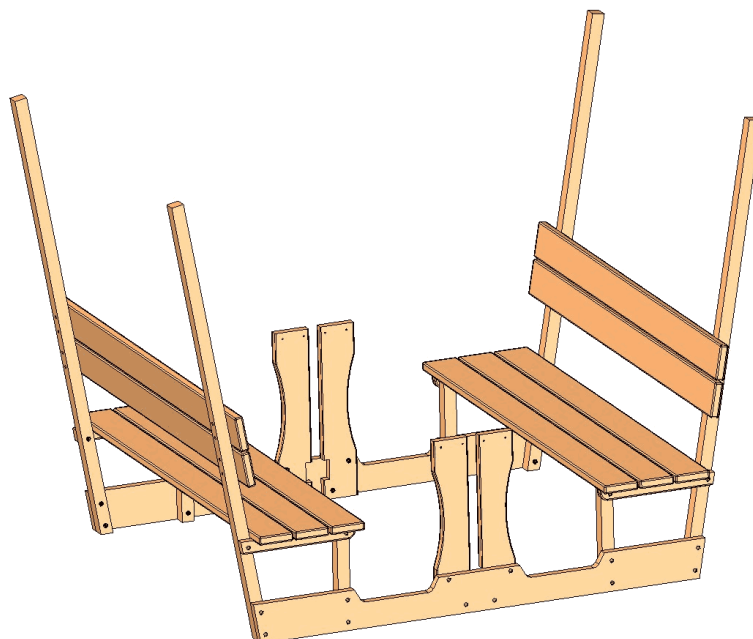
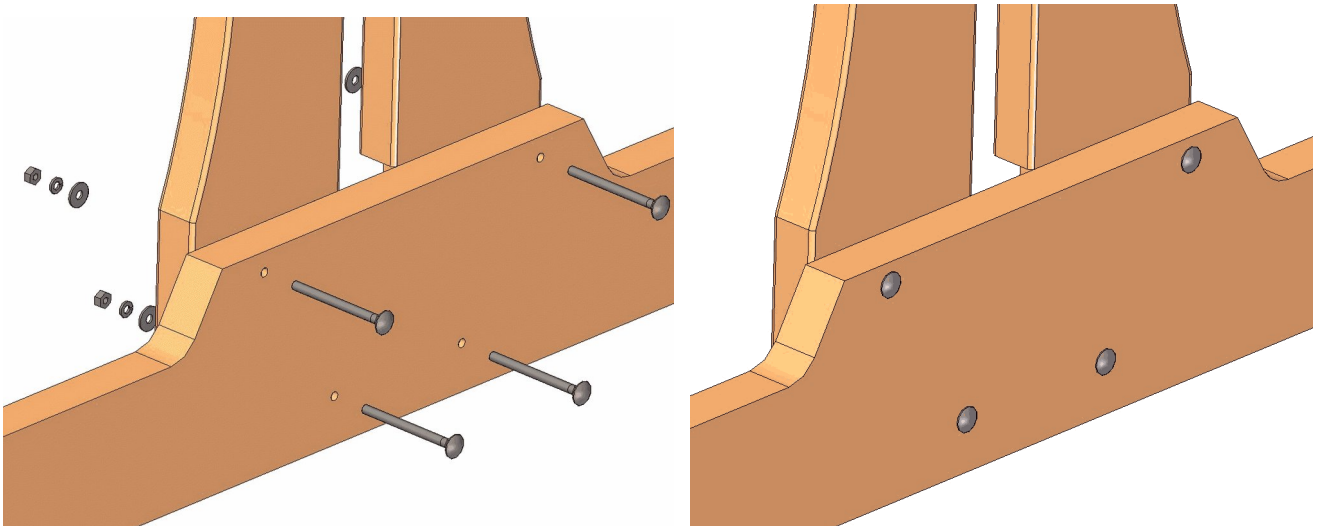
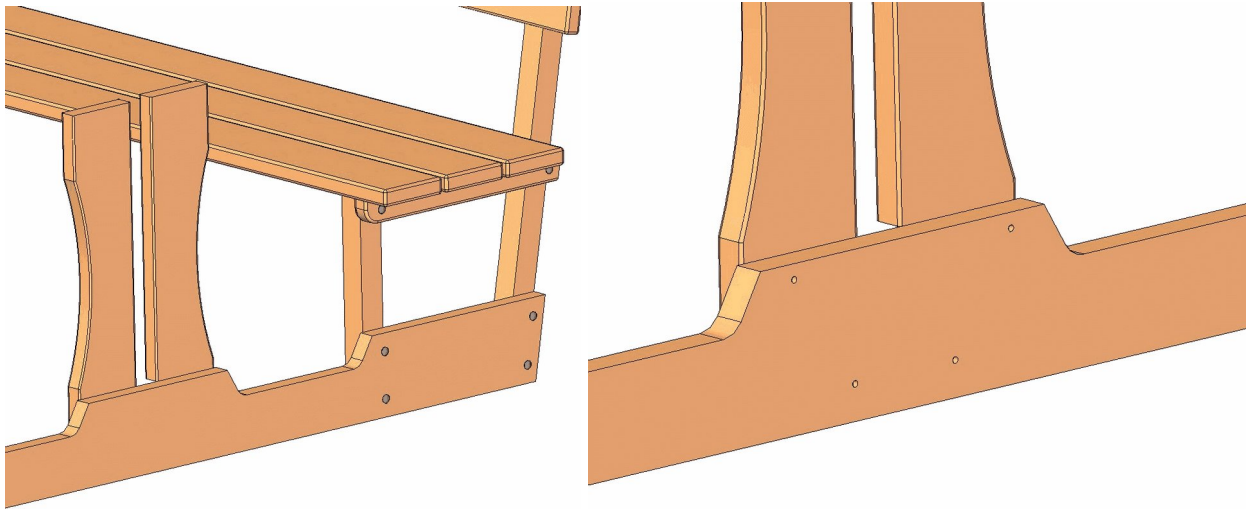




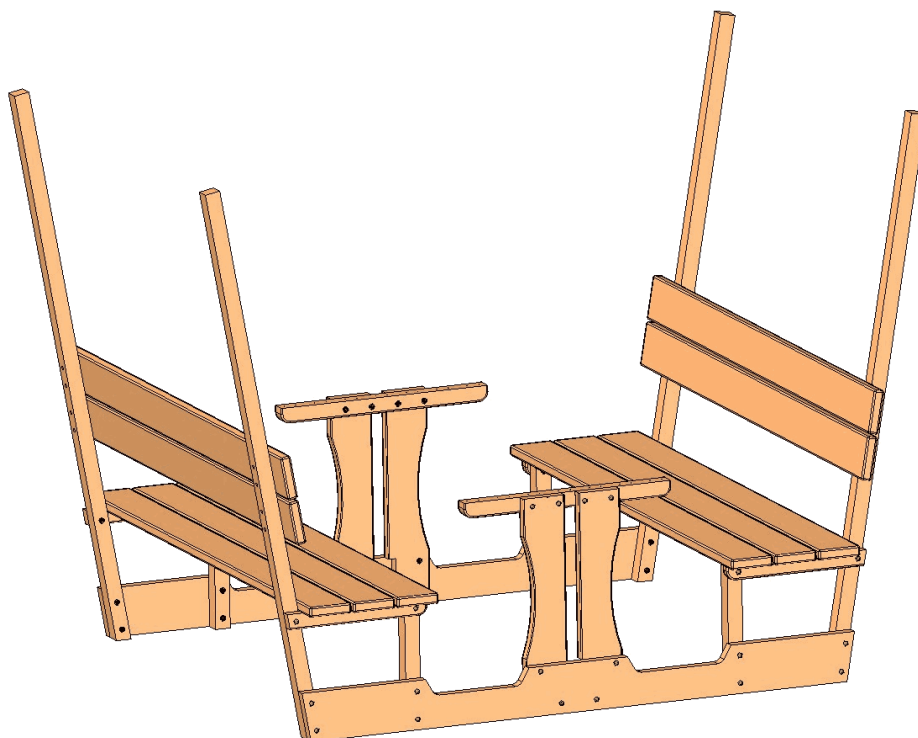
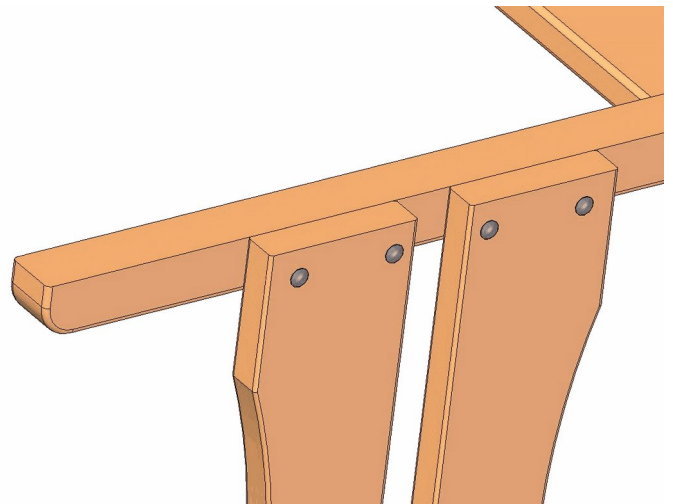
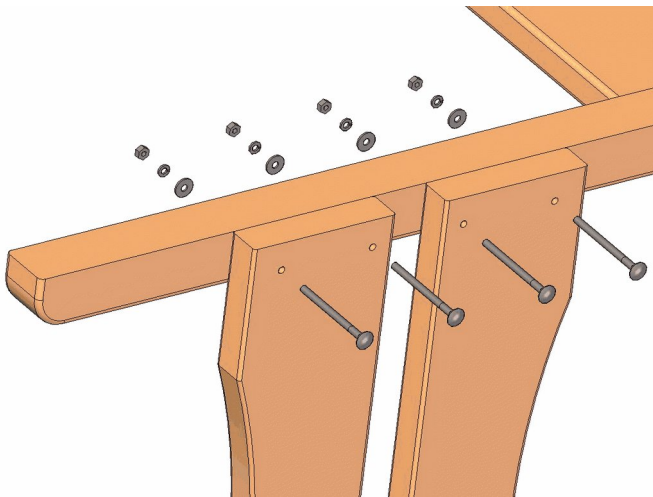
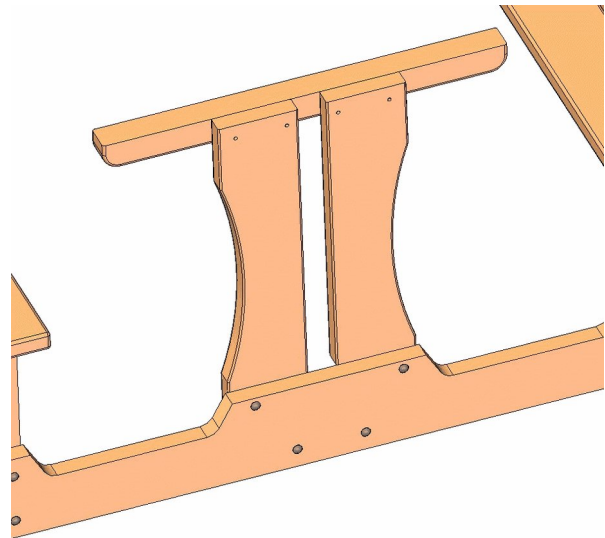
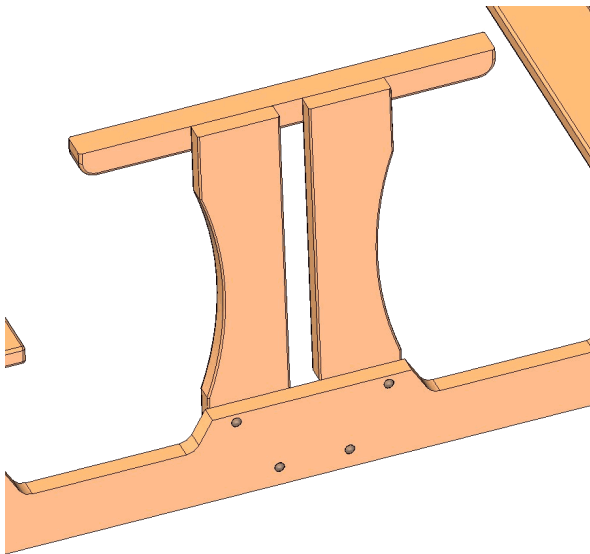
5.



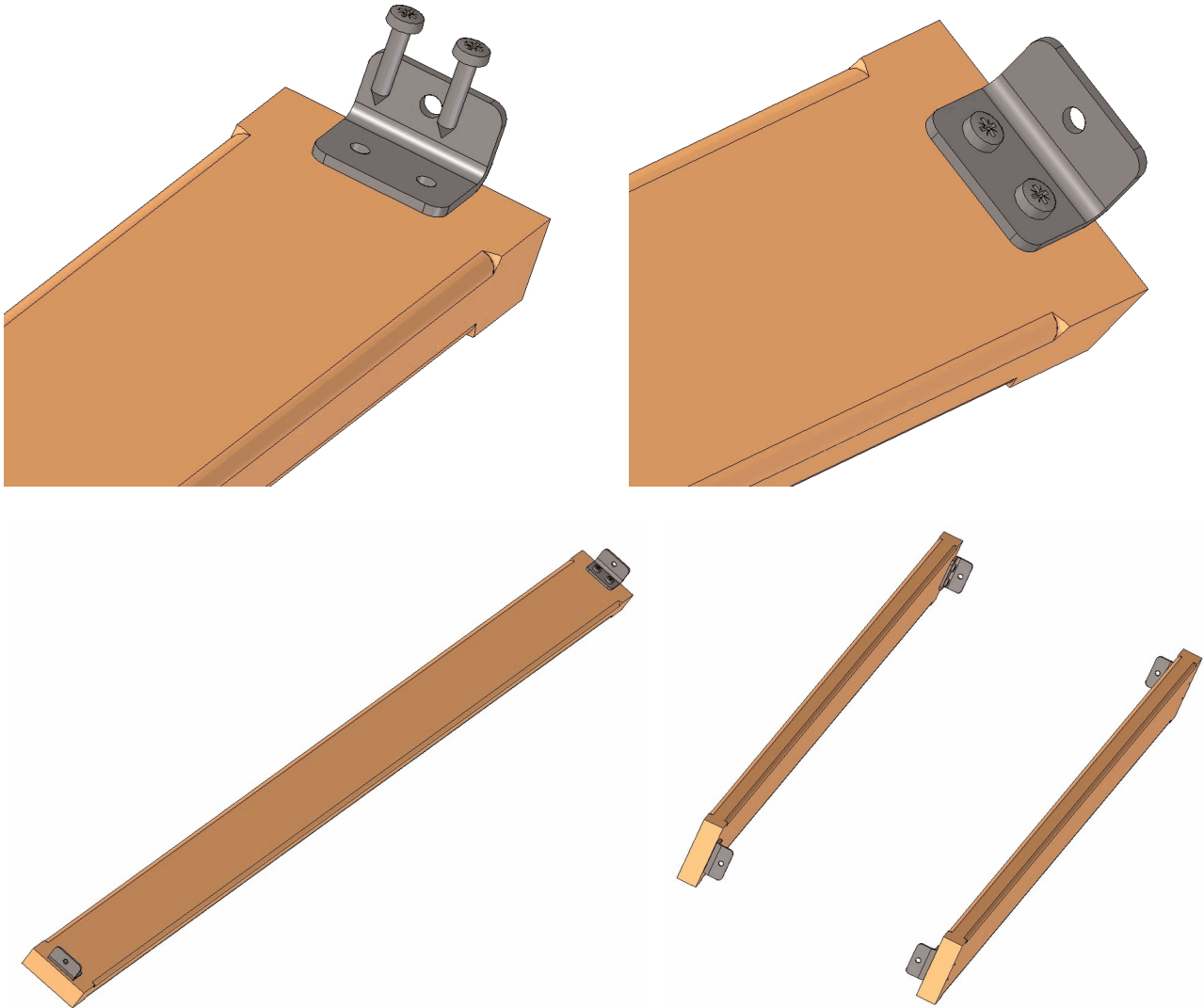
6.



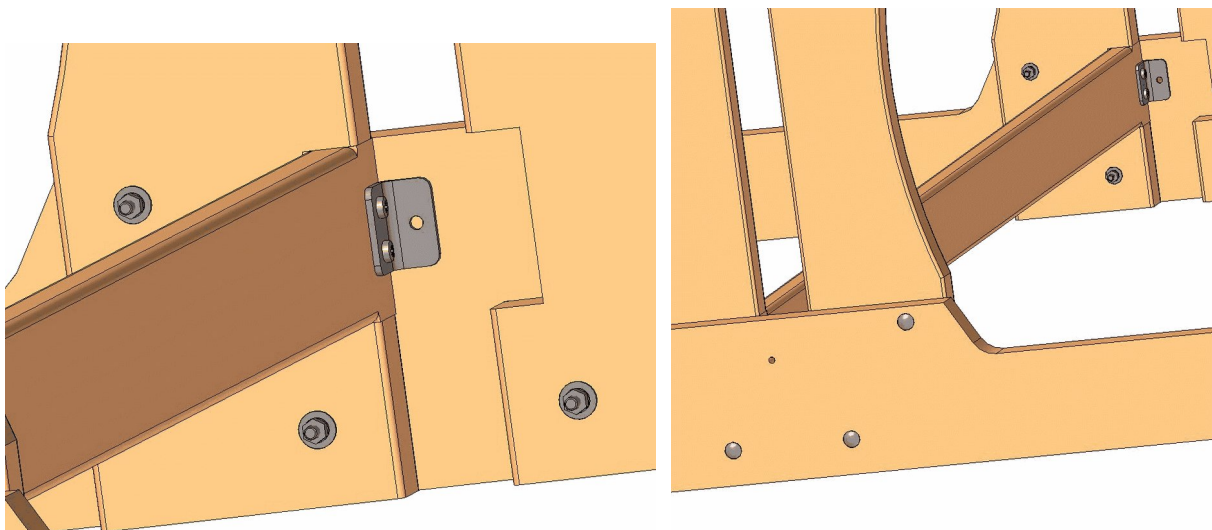
7.

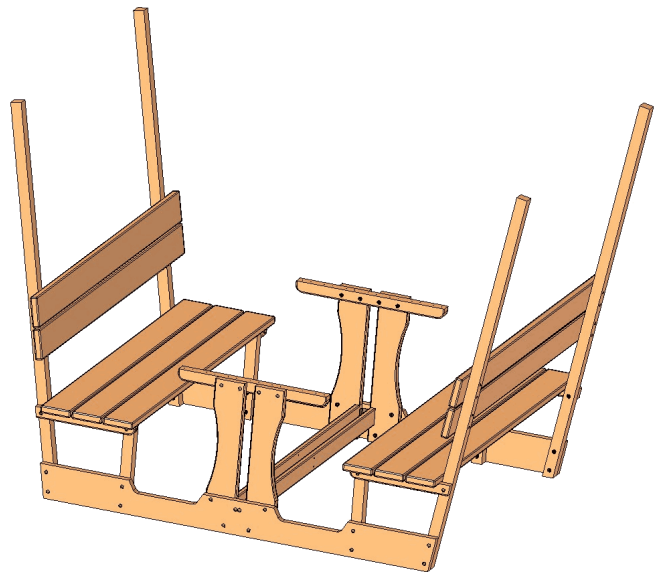
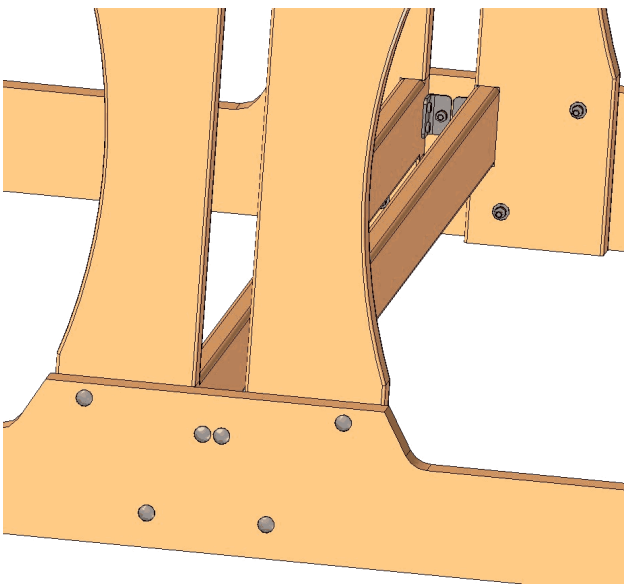
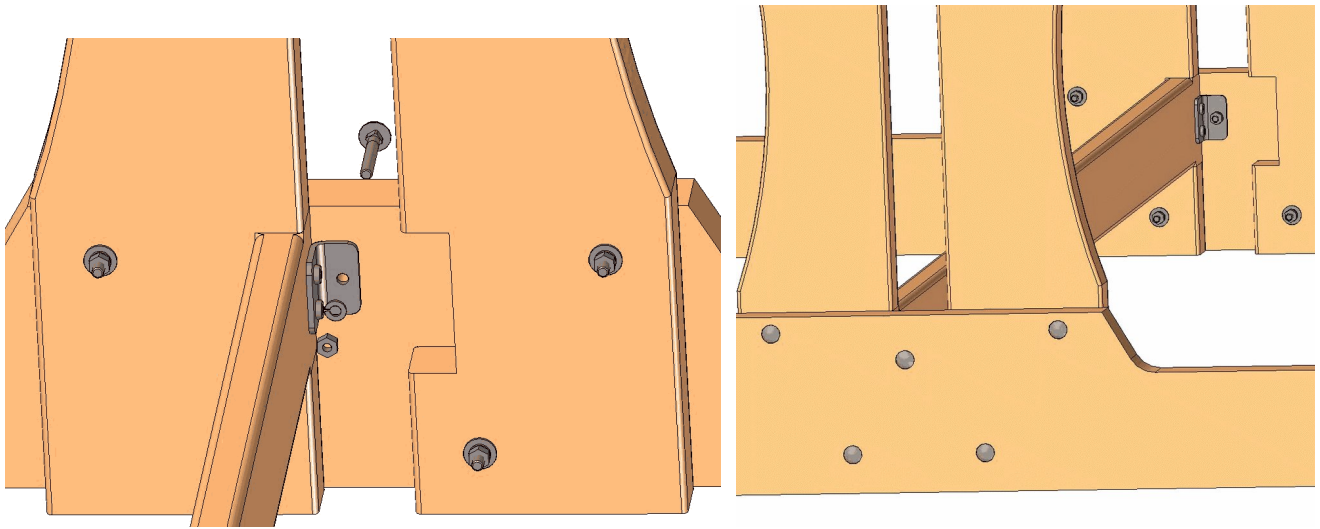


8.

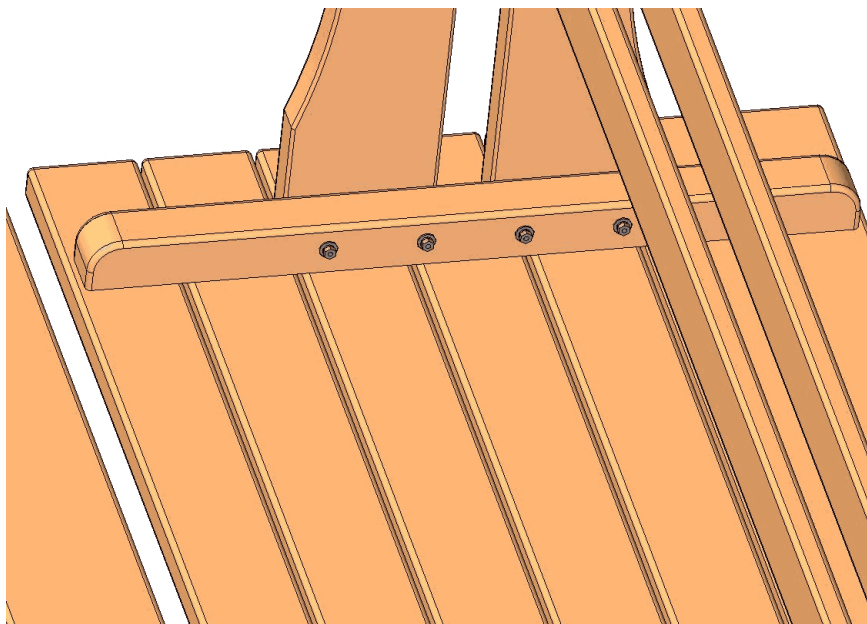


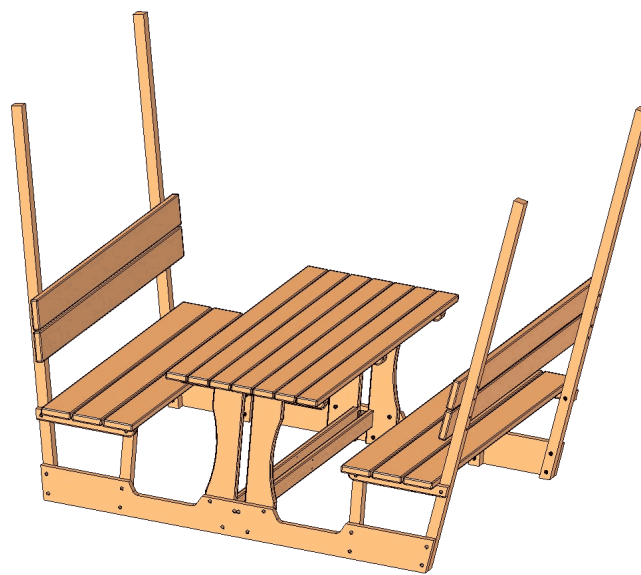
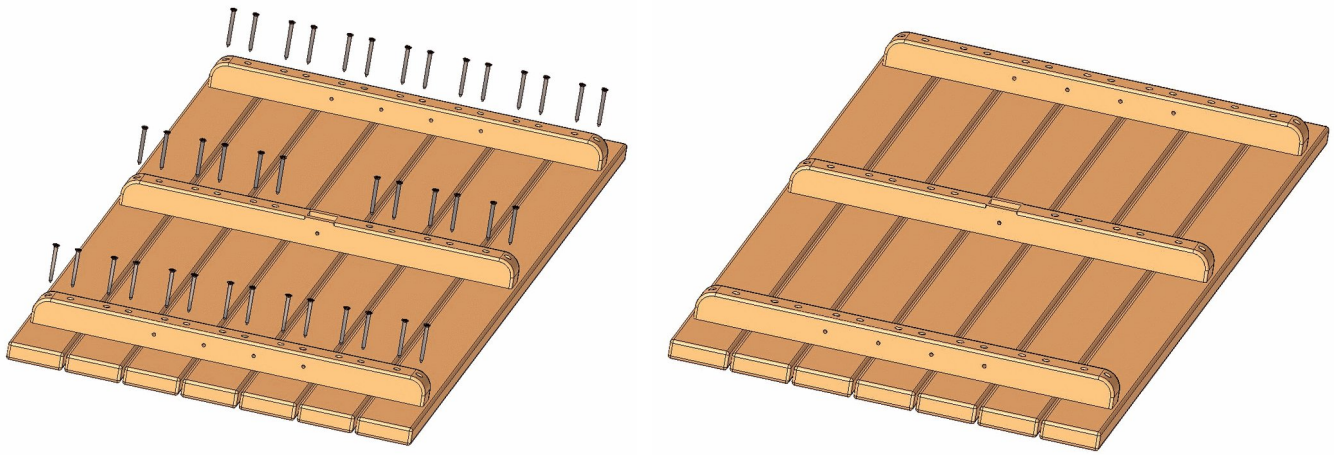
9.



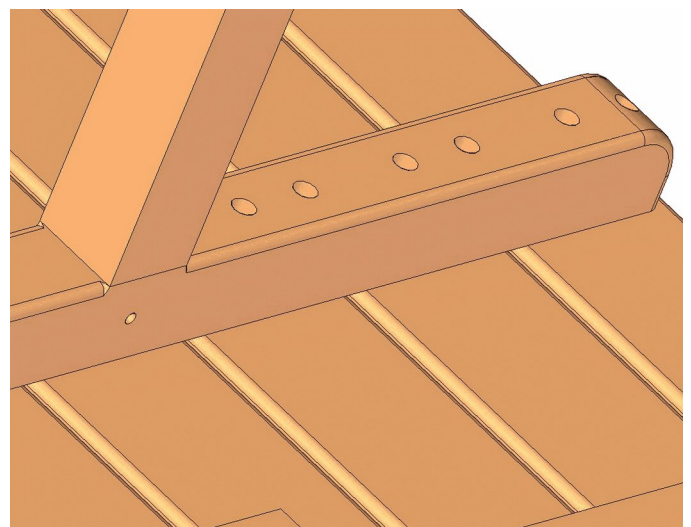
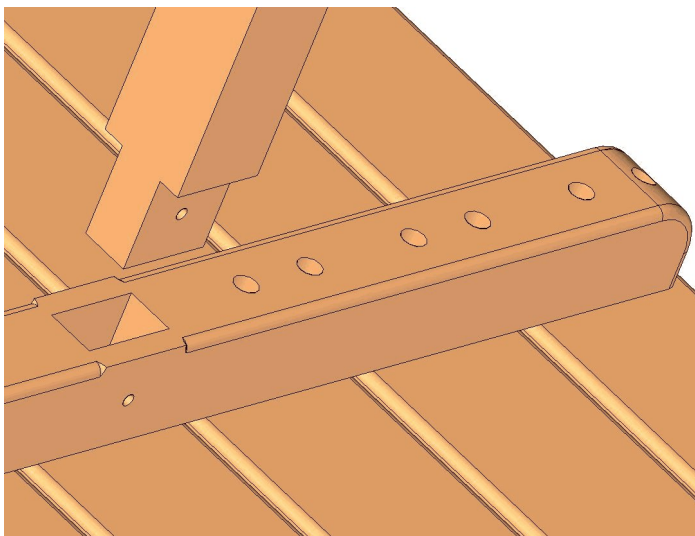


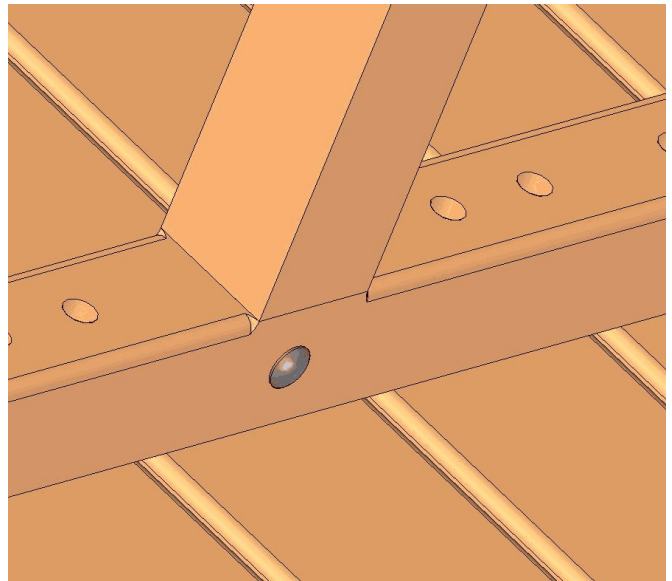
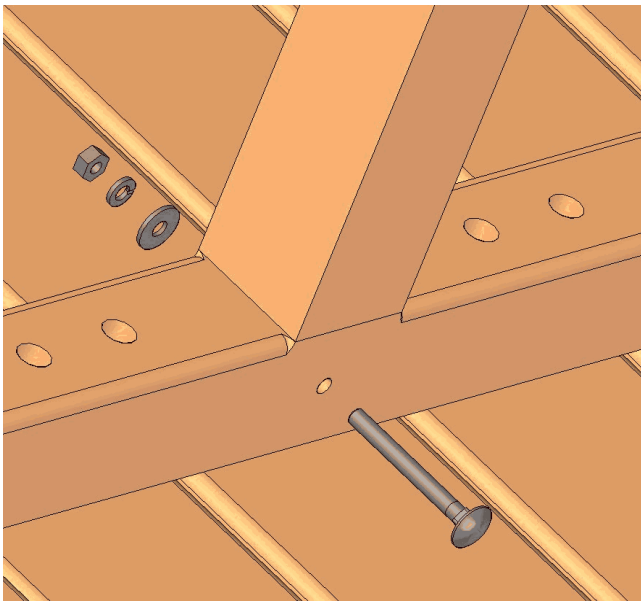
10.



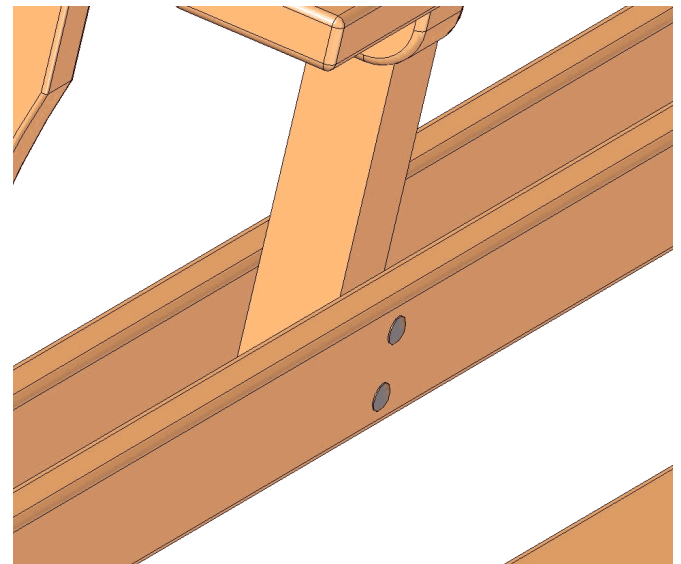
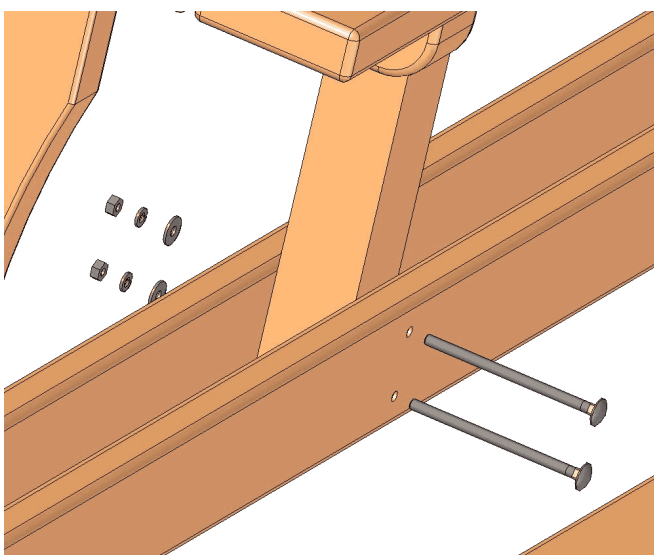
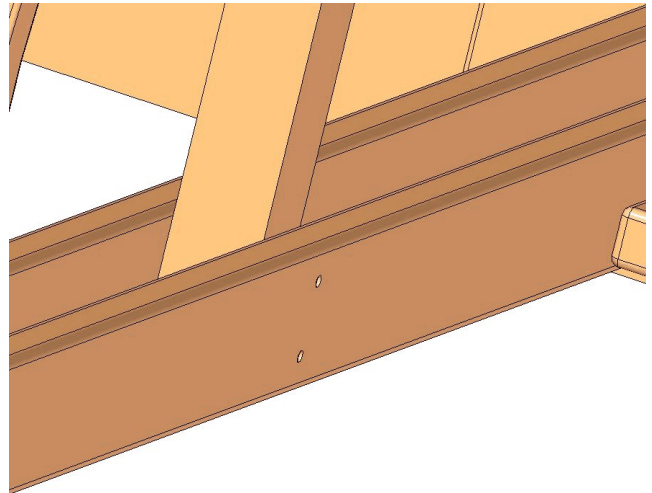
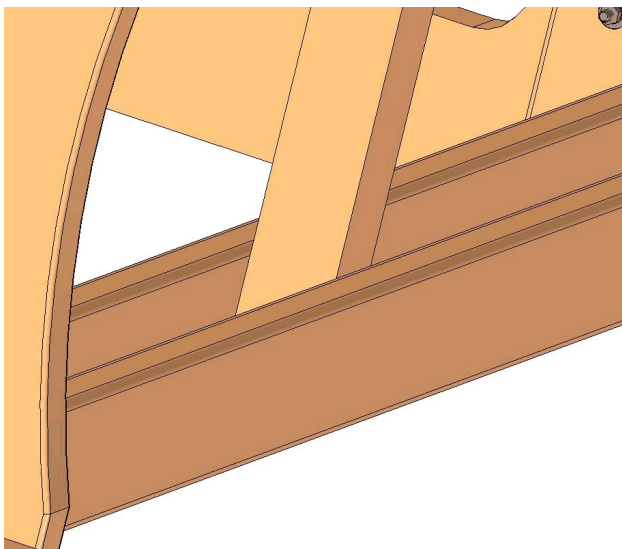


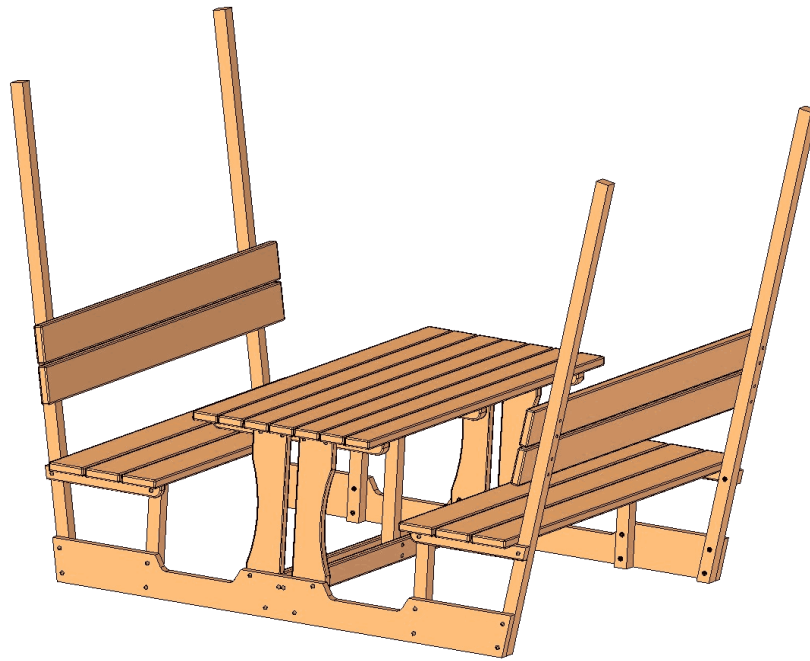
11.



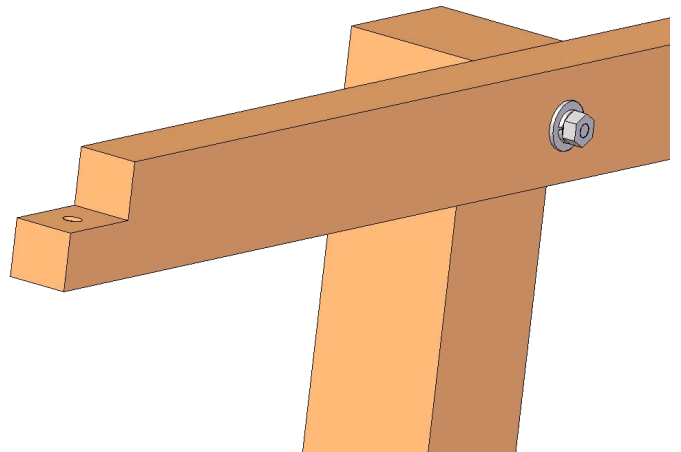
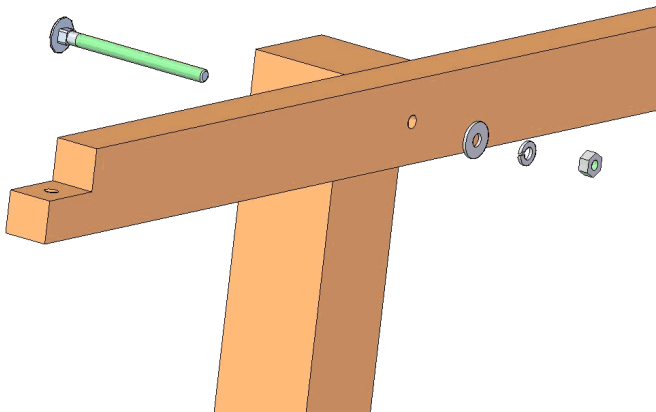
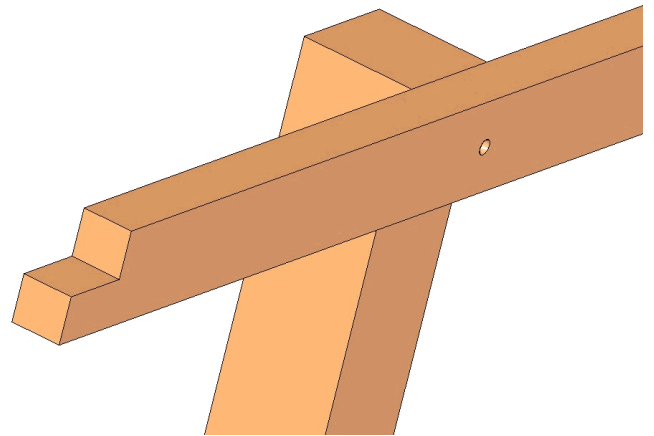
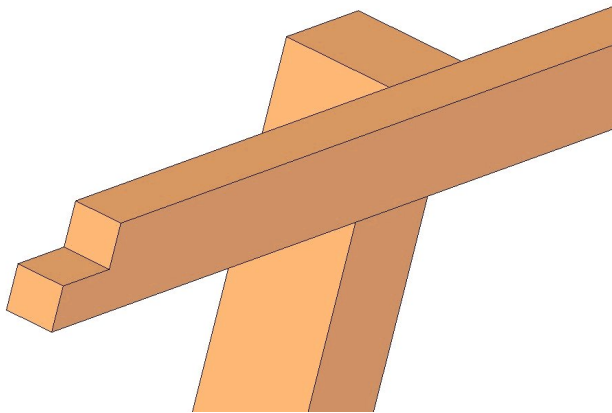


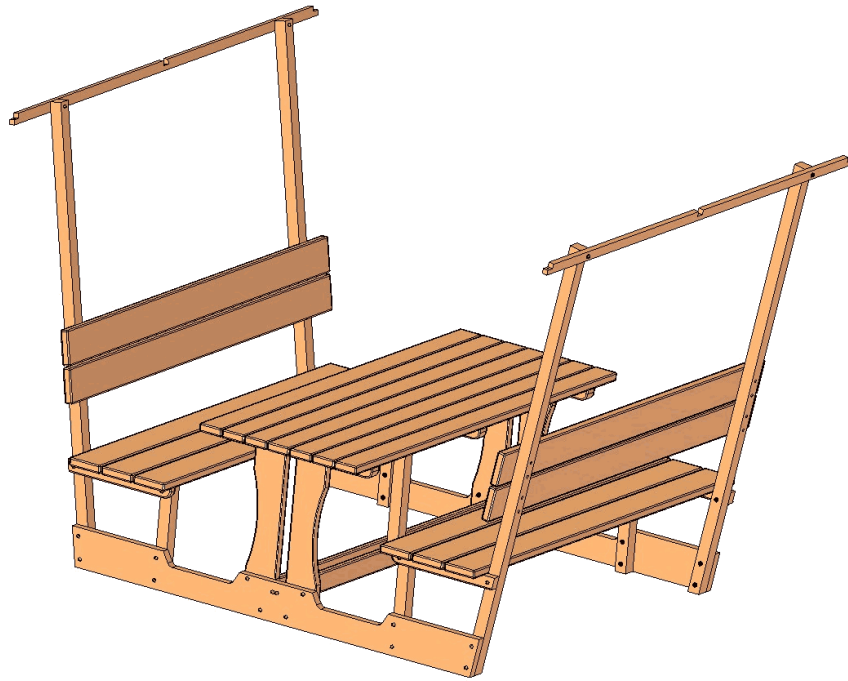
12.



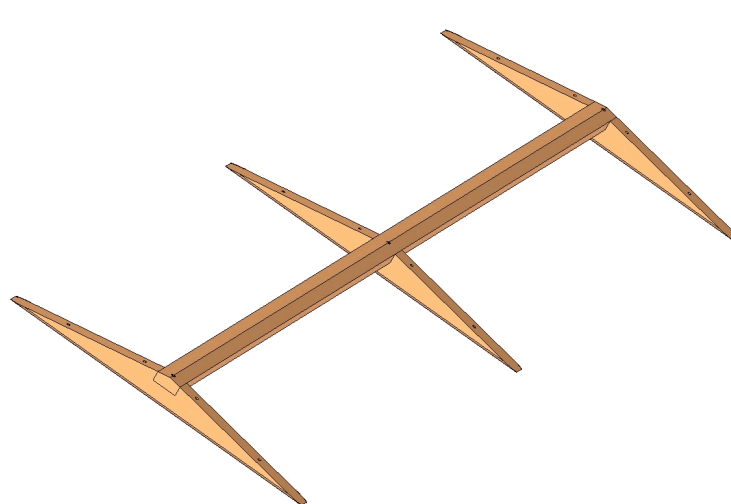
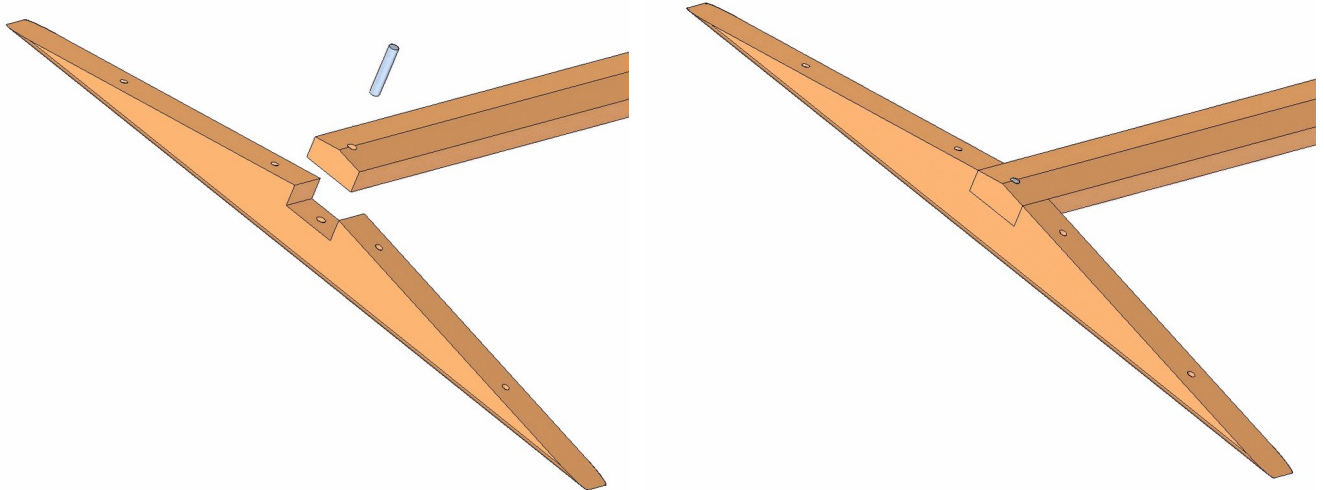


13.

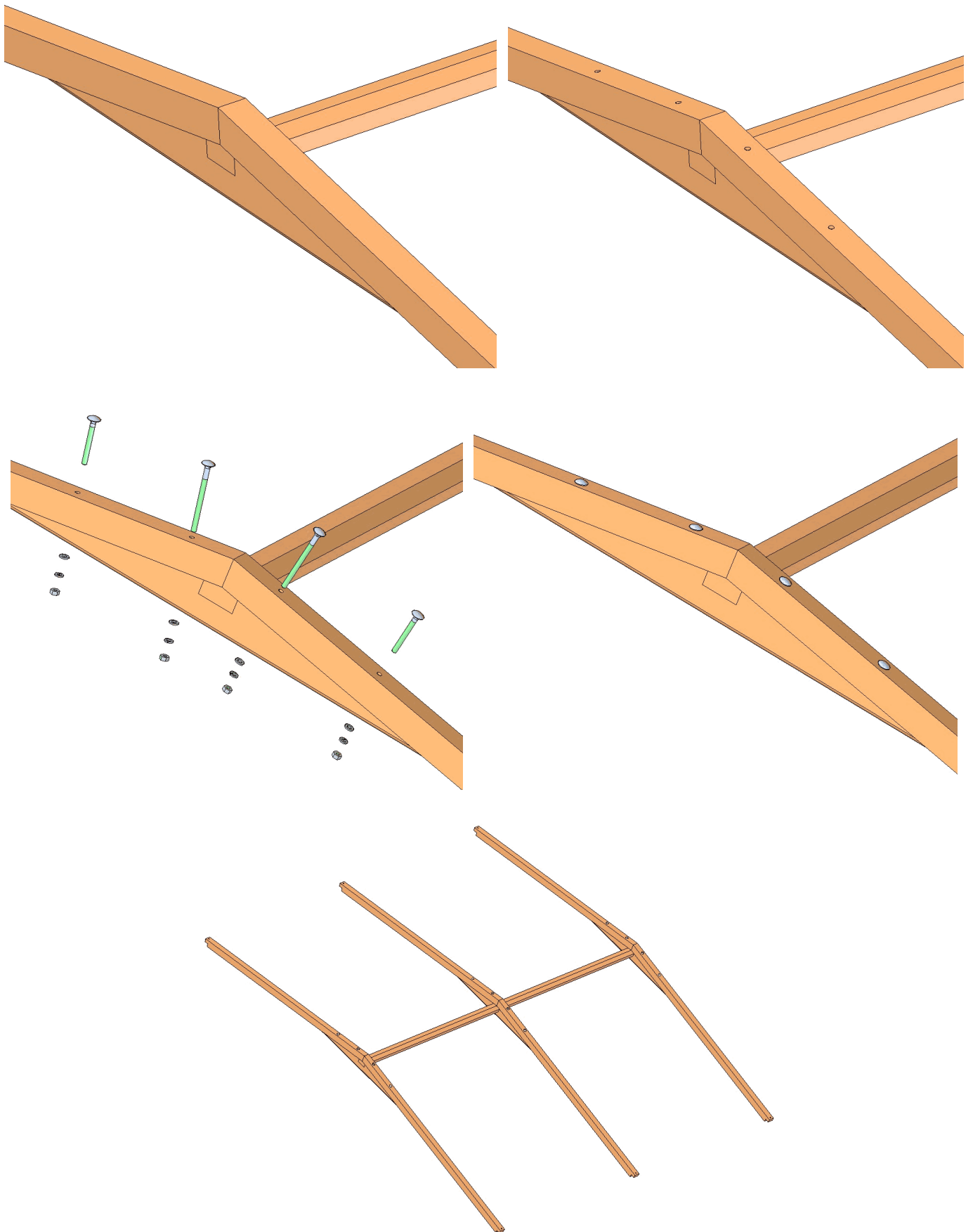


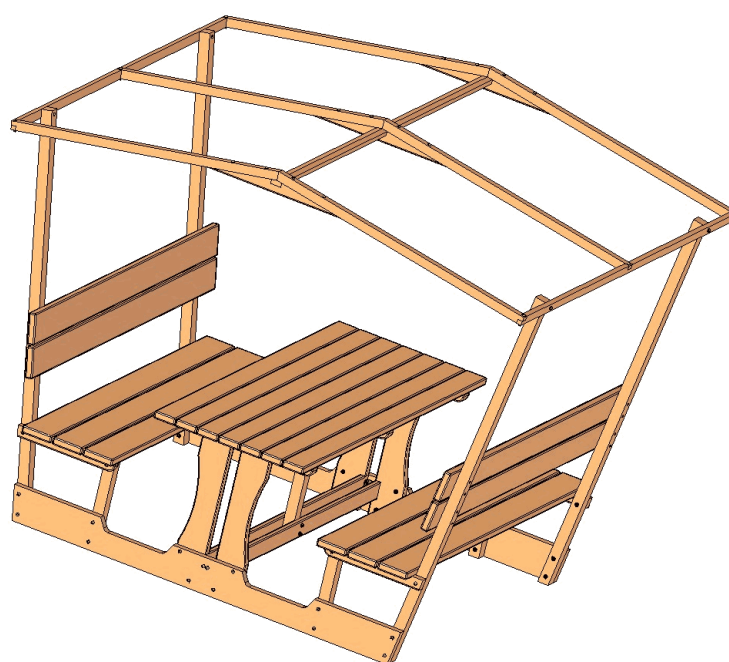
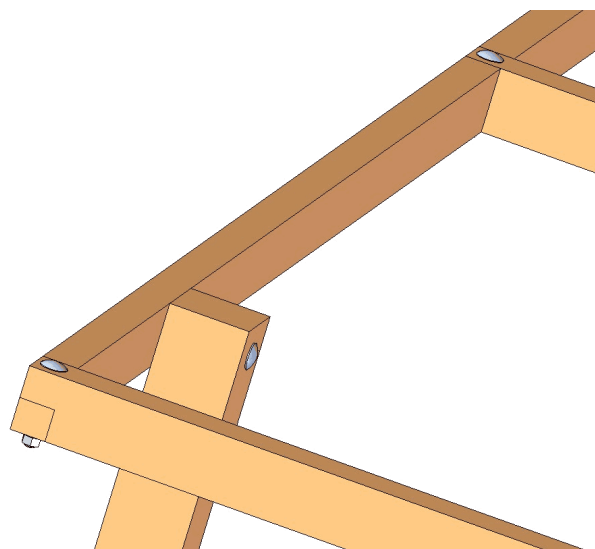
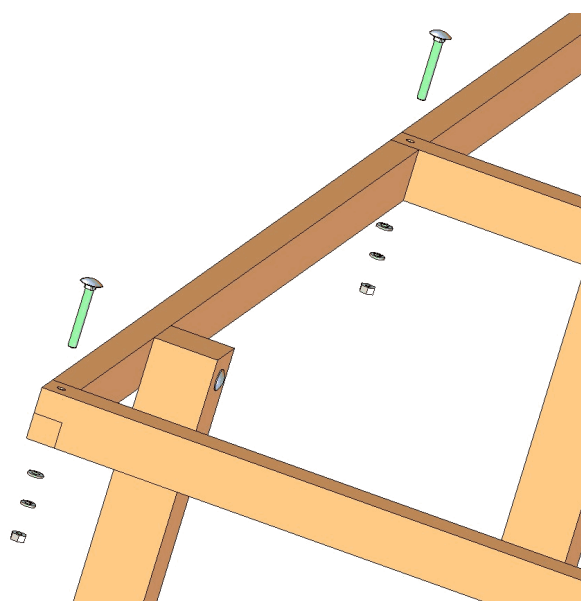
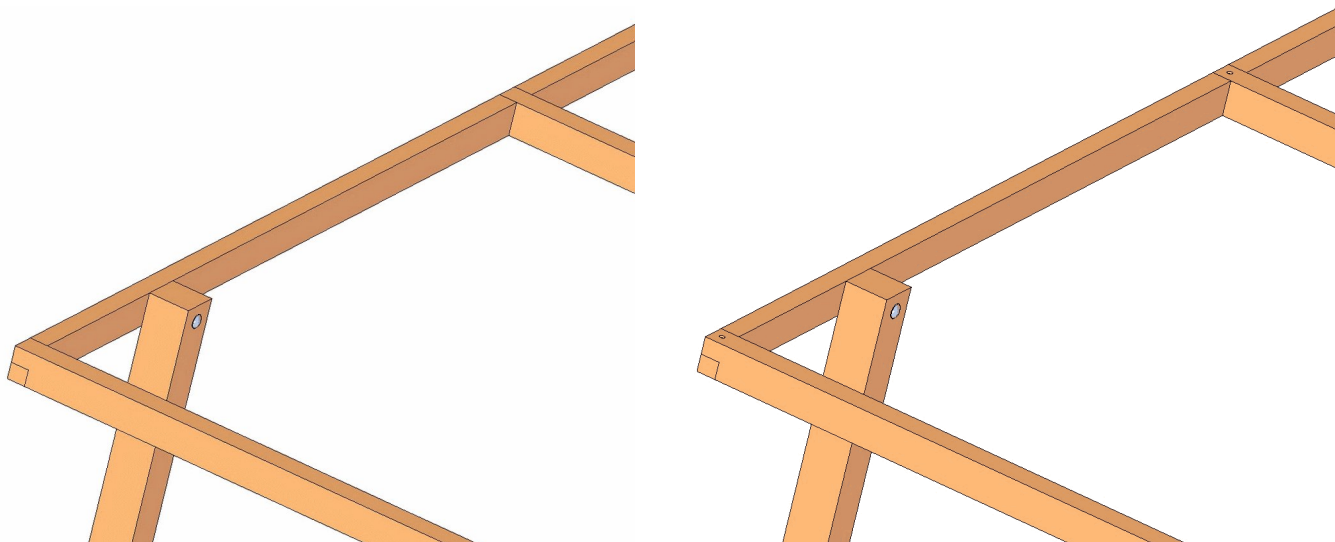


14.



15.





Sew a roof using some thick, weatherproof material.

