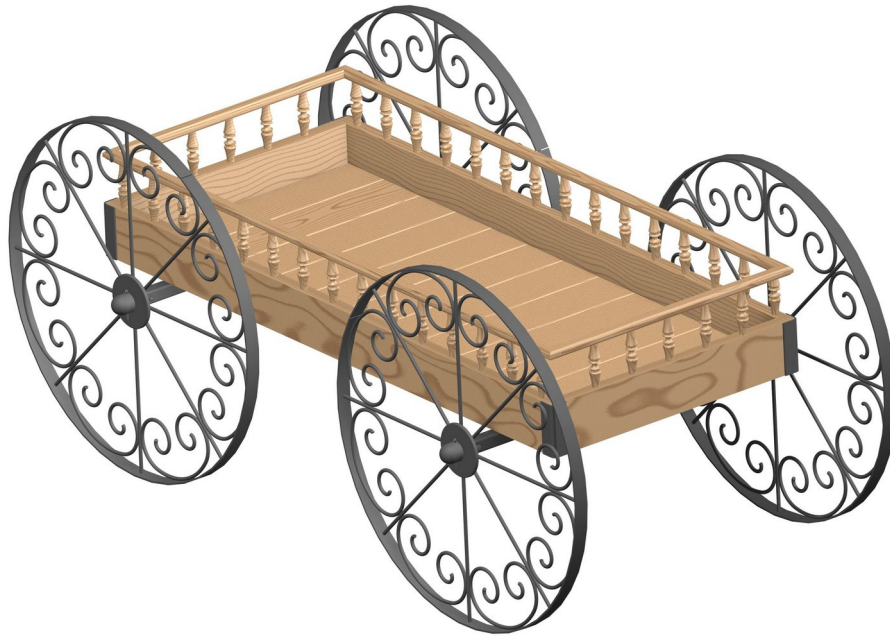


Buckboard cart flower pot holder plan

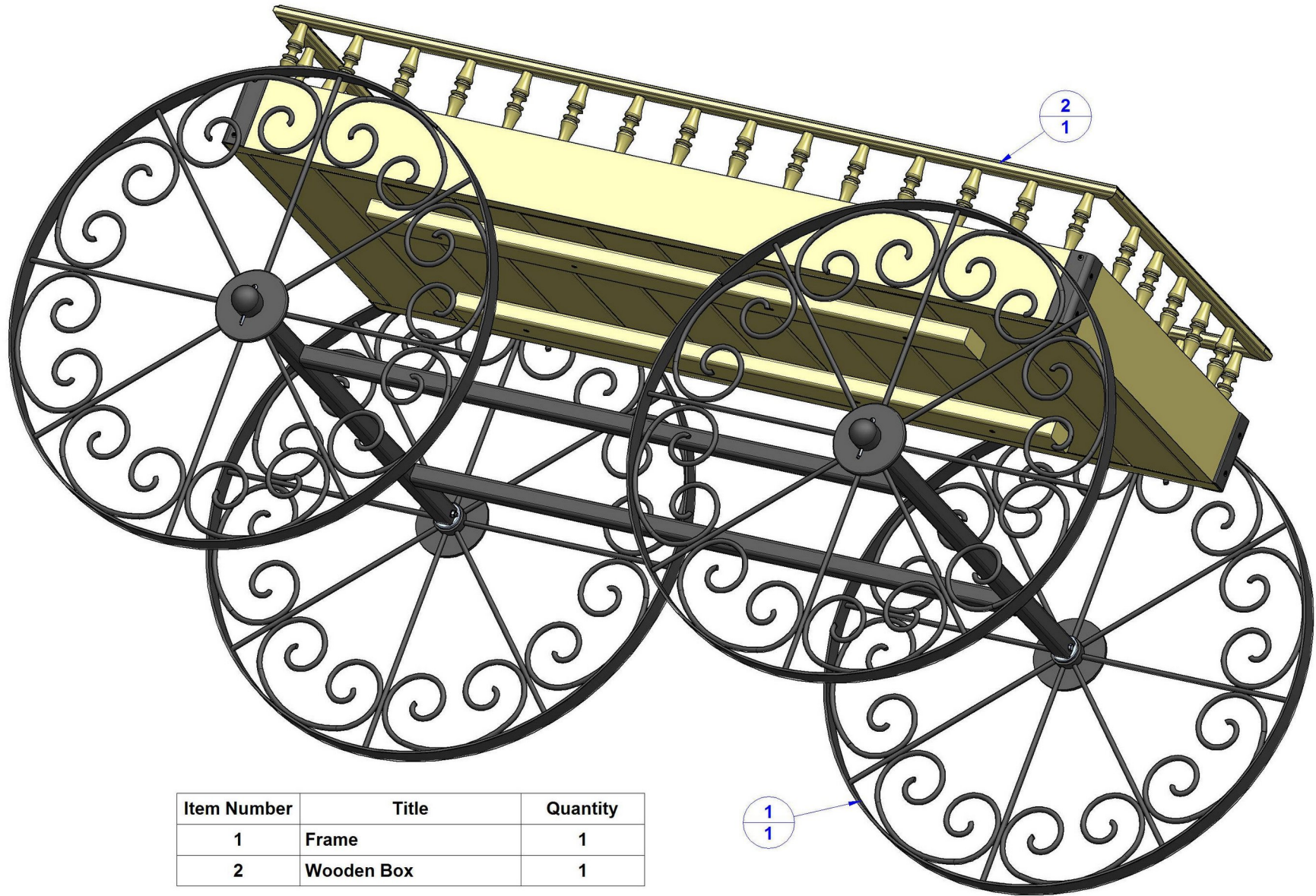


On this page you can download a plan to create an attractive plant stand called the ‘Buckboard cart flower pot holder plan’.

It can hold a large number of pots of various sizes with different types of flowers. A combination of this plant holder with beautiful flowers can serve as a nice decoration in the yard/garden or on the porch if the space is not too limited. The structure of this plant holder can be divided into two sub-assemblies, one called ‘frame’ and the other ‘wooden box’. The frame is a simple welded tube structure to which four wheels are fixed. The wheels are made of metal, and the wrought iron looks are obtained by welding C-shape scrolls along the wheel circumference. Of course, if you have some ideas and love what wrought iron structures look like, you can use various other types of scrolls to achieve a completely different look of this plant holder. The wheels can be rotated, making it much easier to move the plant holder from one place to another. The wooden box is just a simple box that is placed on the frame and serves to put flower pots in it. To prevent the wind from knocking down the pots, sidewalls are mounted on the box, which are decorated with wooden sections made on a lathe. The complete appearance of the buckboard cart flower pot holder is very elegant, and if you choose the right combination of flowers, you will surely obtain an extremely beautiful decoration to get everyone's attention. We advise you to carefully choose the types of flowers for this plant holder, because it won't make any sense to create such a beautiful garden structure if it gets overgrown and barely visible.

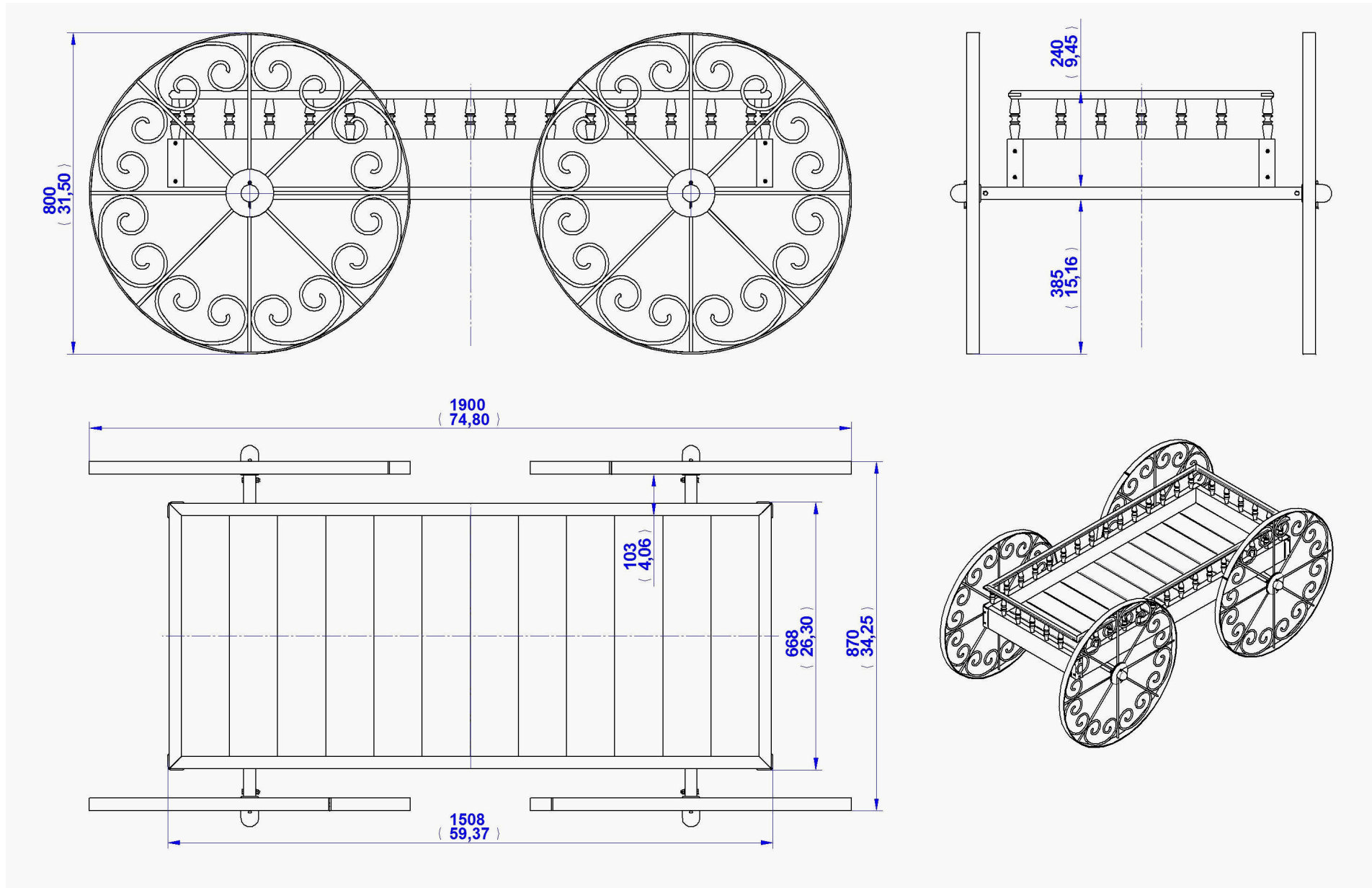
Coat the frame assembly first with primer paint and then apply two coats of metal paint (we recommend black to make the construction look like wrought iron). Apply some weatherproof coating to the wooden box assembly and choose the color you want. If you are going to place the plant holder in the open air, drill holes in the bottom of the structure to allow water to drain out.

Sub-assembly list

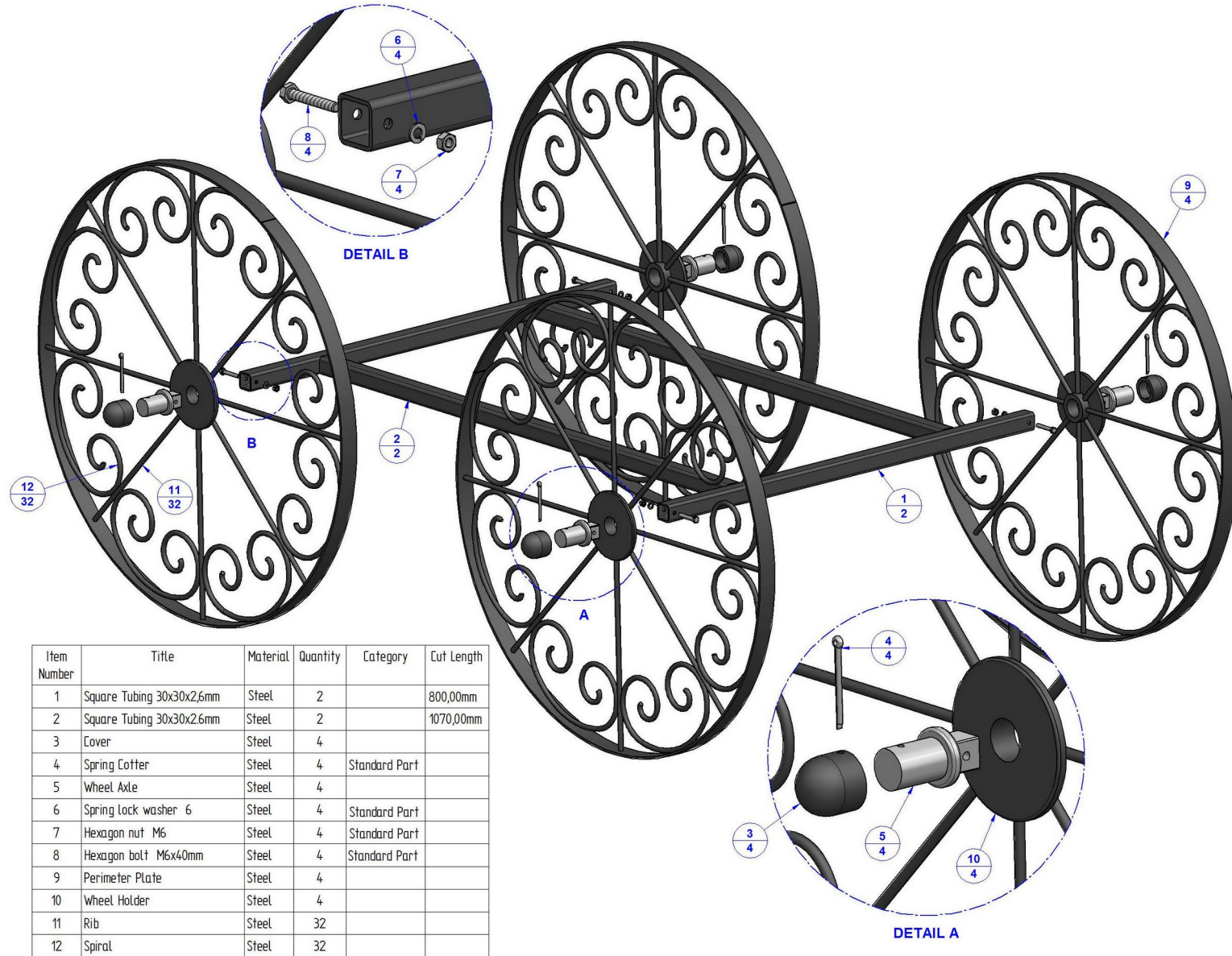


Item Number	Title	Quantity
1	Frame	1
2	Wooden Box	1

Main assembly drawing

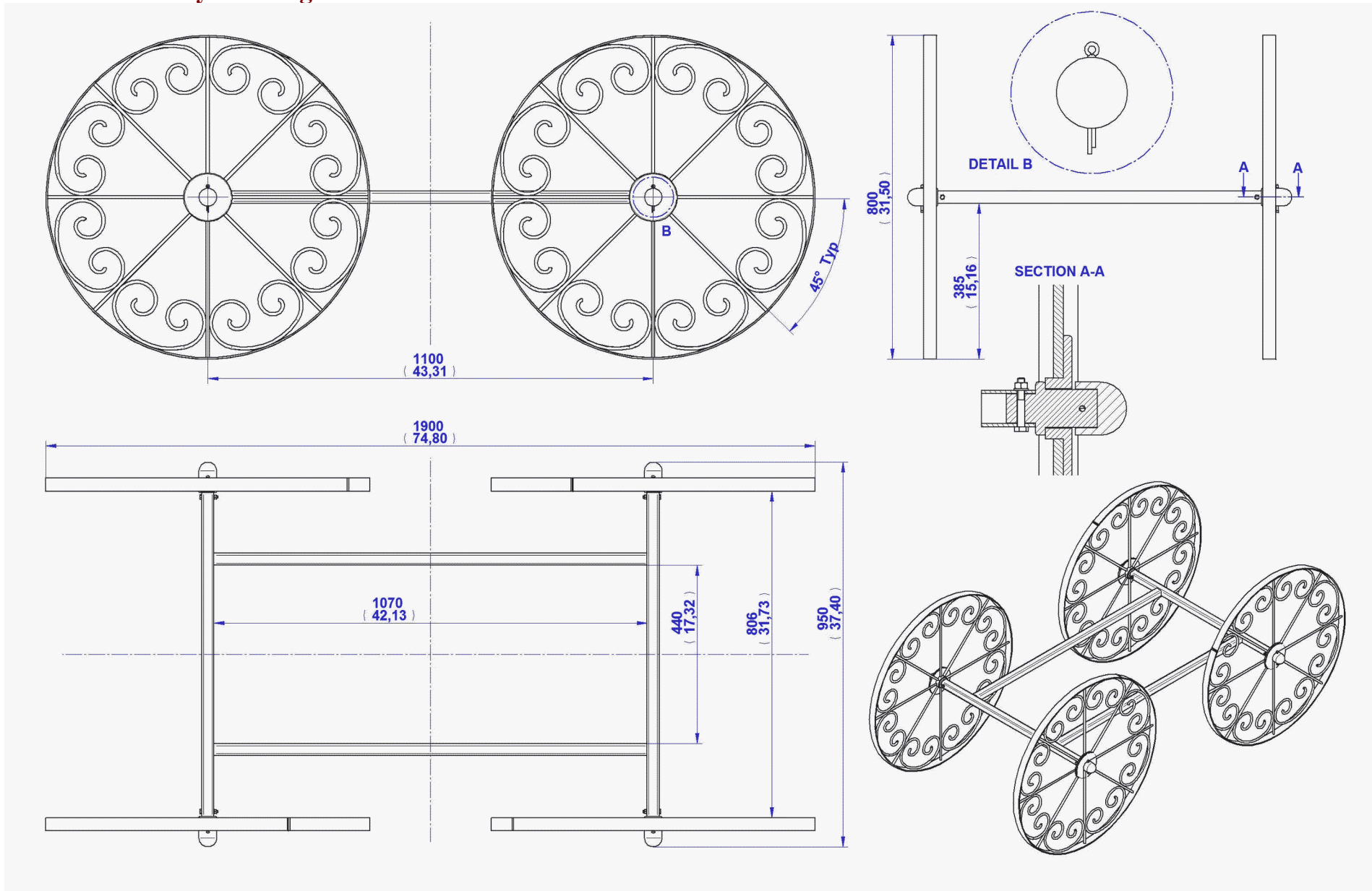


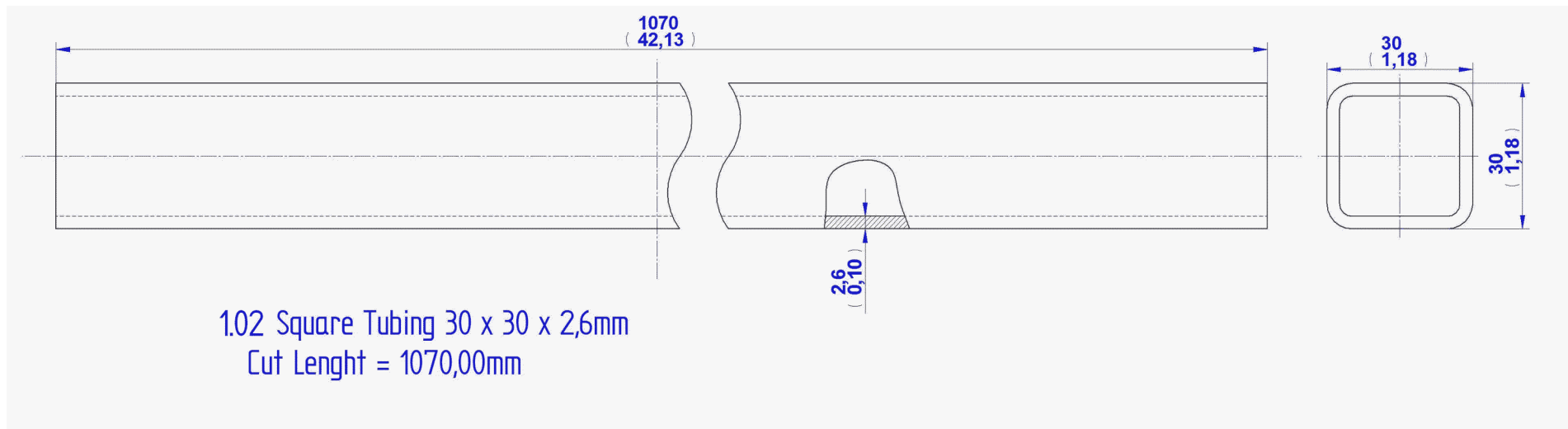
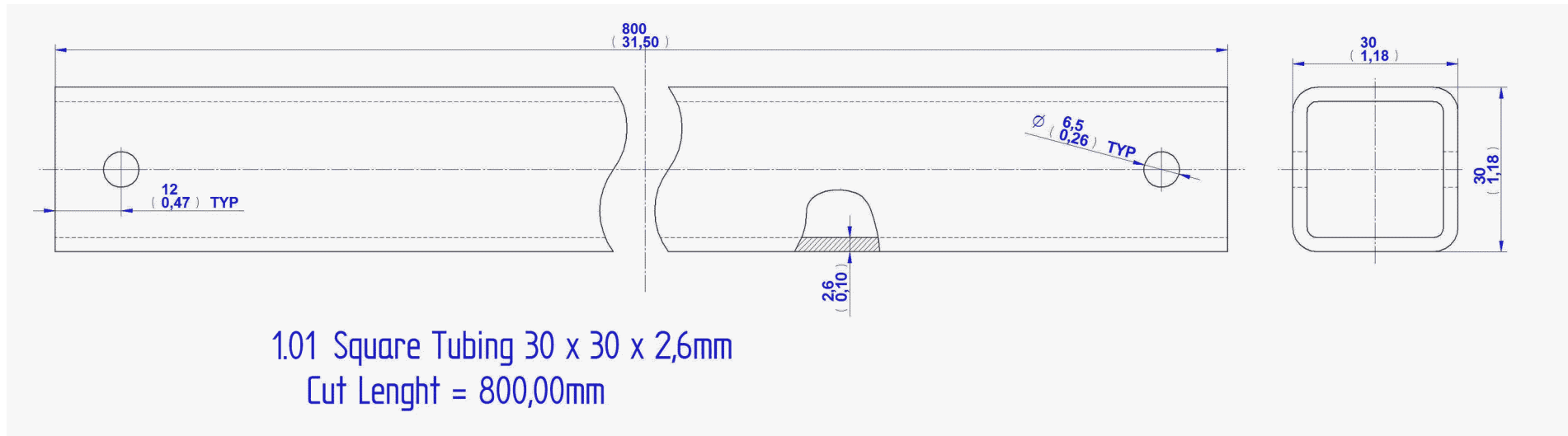
1. Frame sub-assembly - Parts list



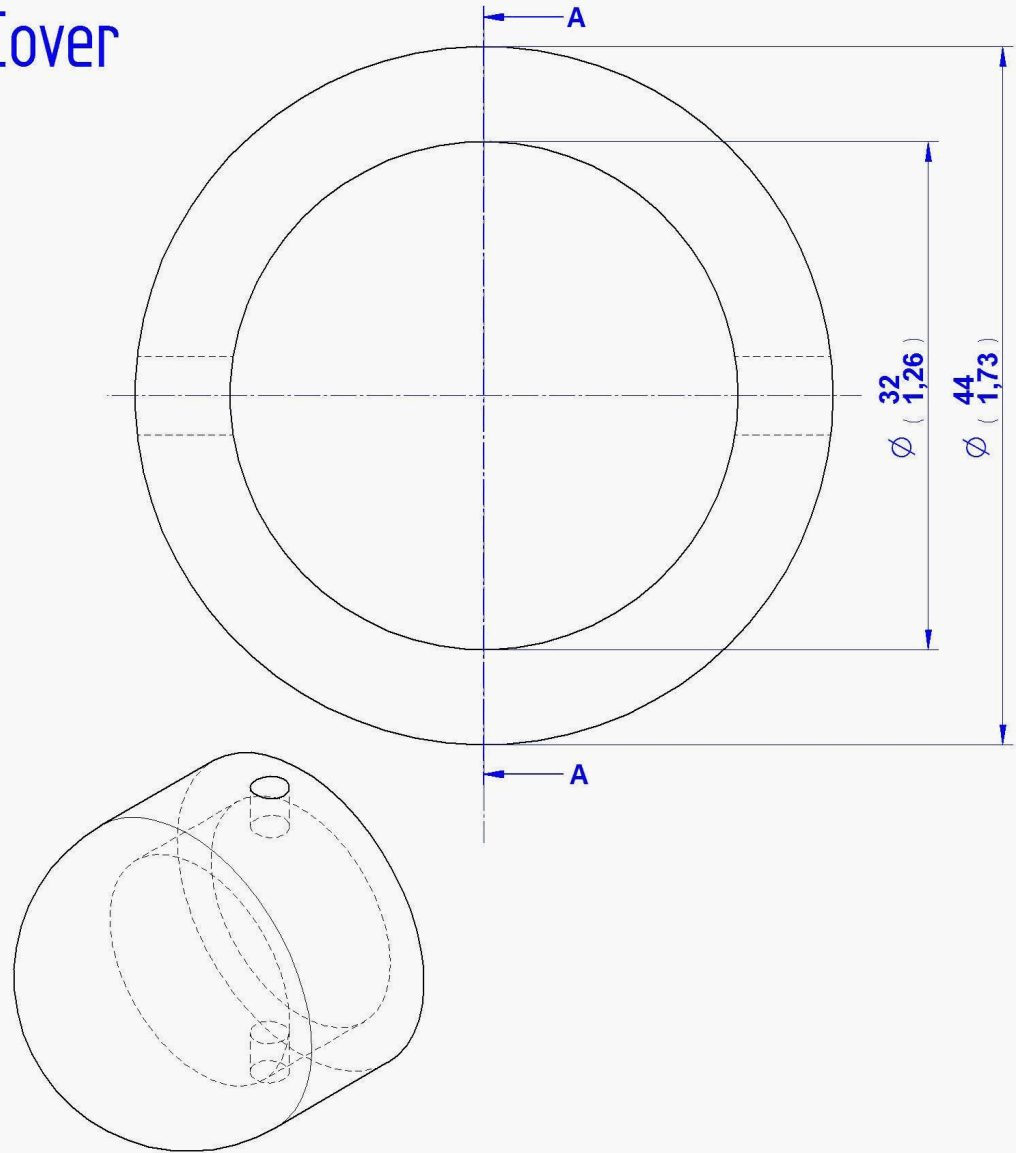
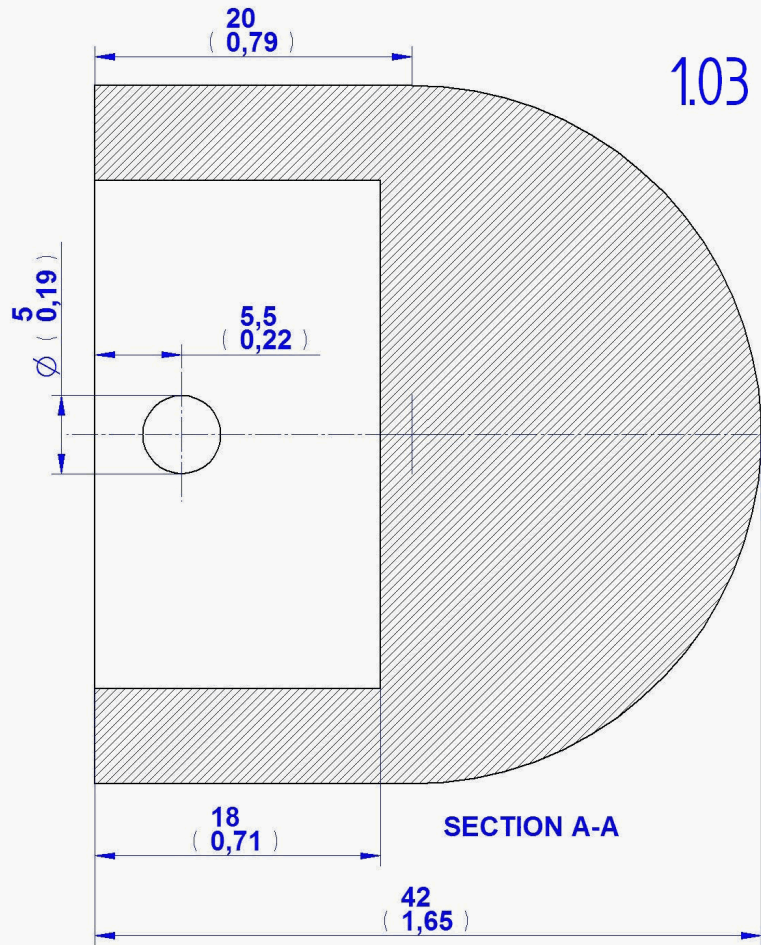
Item Number	Title	Material	Quantity	Category	Cut Length
1	Square Tubing 30x30x2,6mm	Steel	2		800,00mm
2	Square Tubing 30x30x2,6mm	Steel	2		1070,00mm
3	Cover	Steel	4		
4	Spring Cotter	Steel	4	Standard Part	
5	Wheel Axle	Steel	4		
6	Spring lock washer 6	Steel	4	Standard Part	
7	Hexagon nut M6	Steel	4	Standard Part	
8	Hexagon bolt M6x40mm	Steel	4	Standard Part	
9	Perimeter Plate	Steel	4		
10	Wheel Holder	Steel	4		
11	Rib	Steel	32		
12	Spiral	Steel	32		

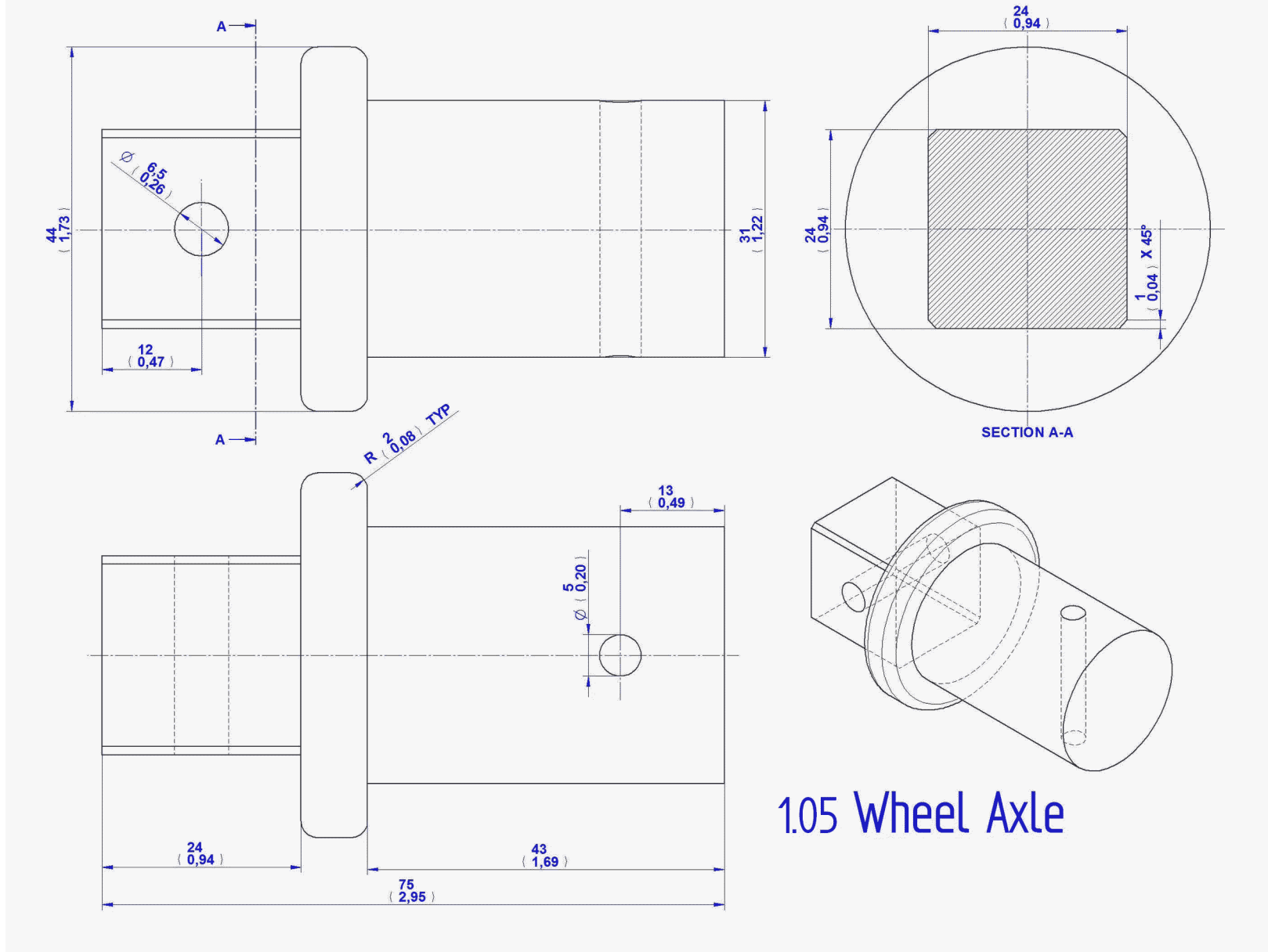
1. Frame sub-assembly drawing

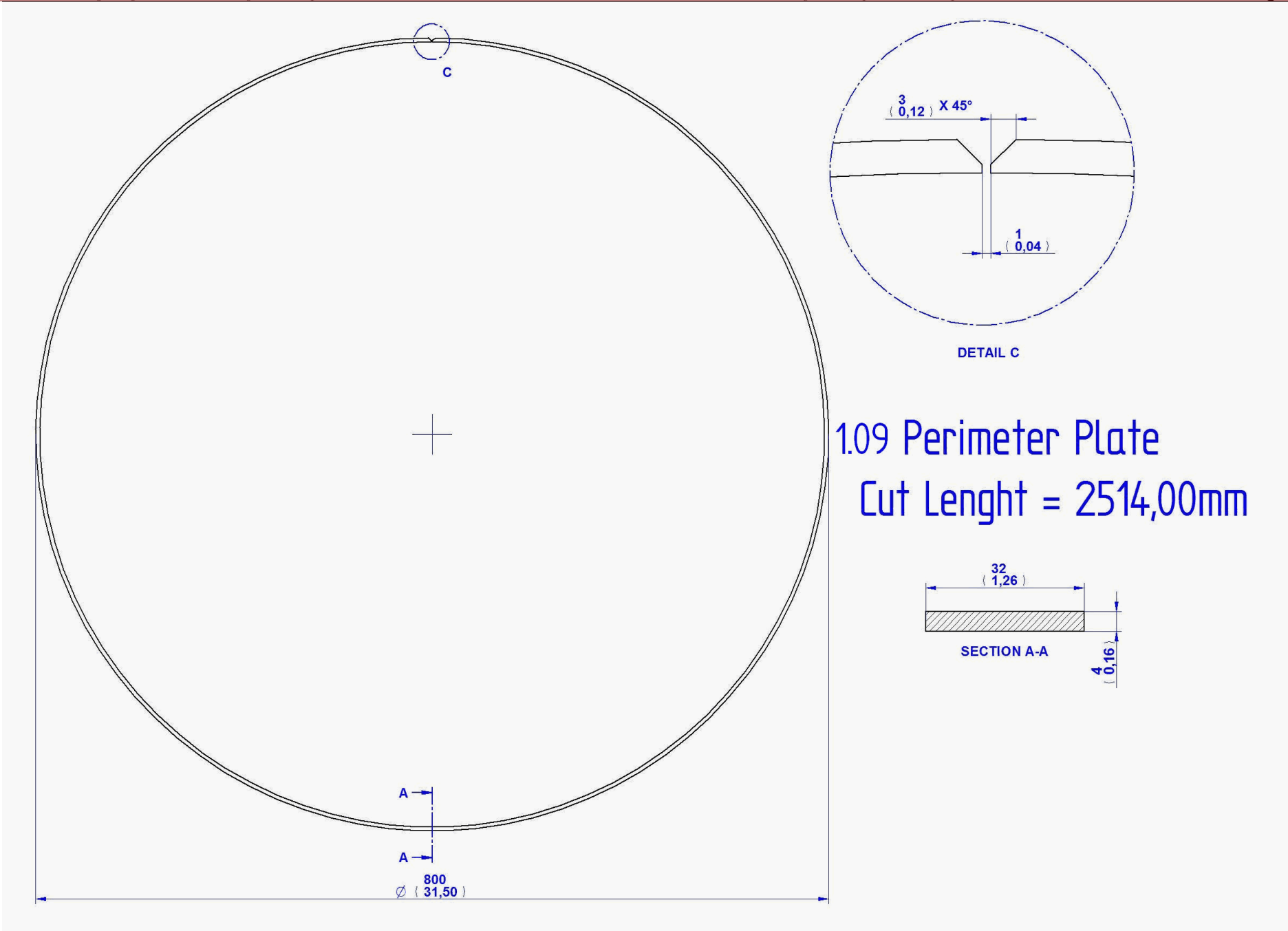




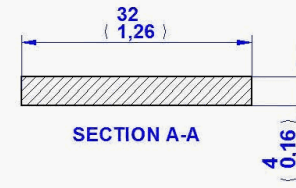
1.03 Cover

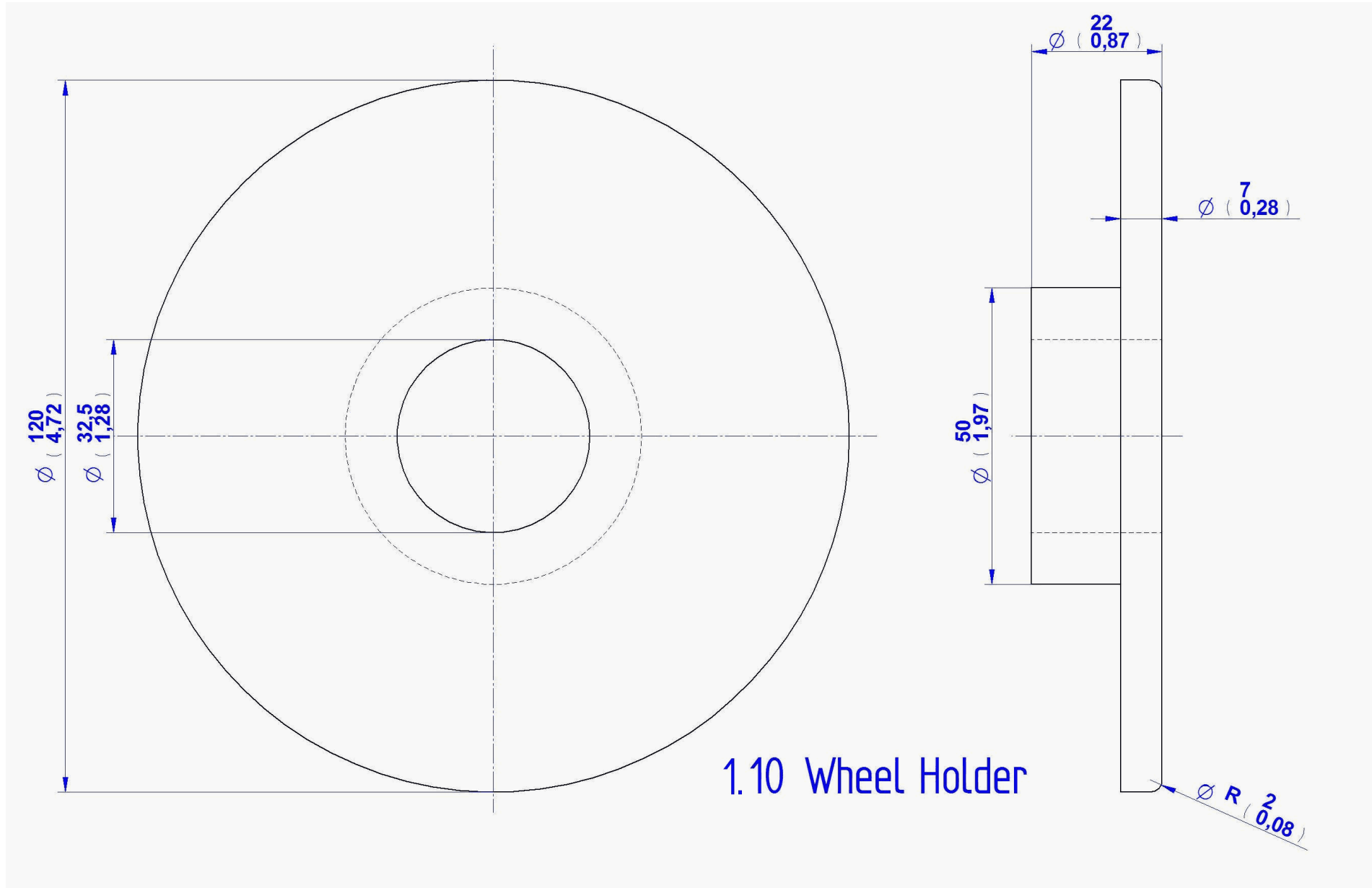




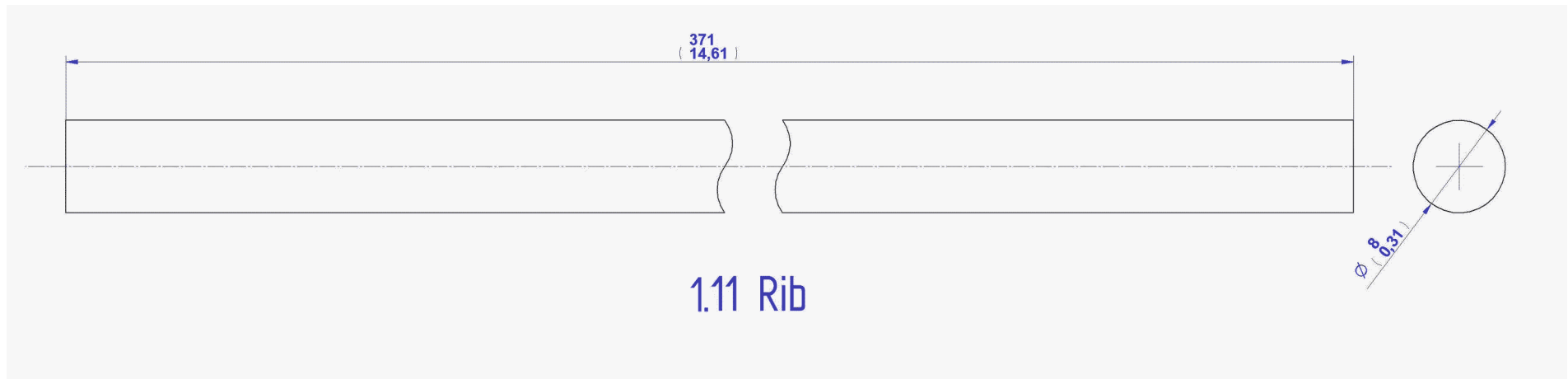


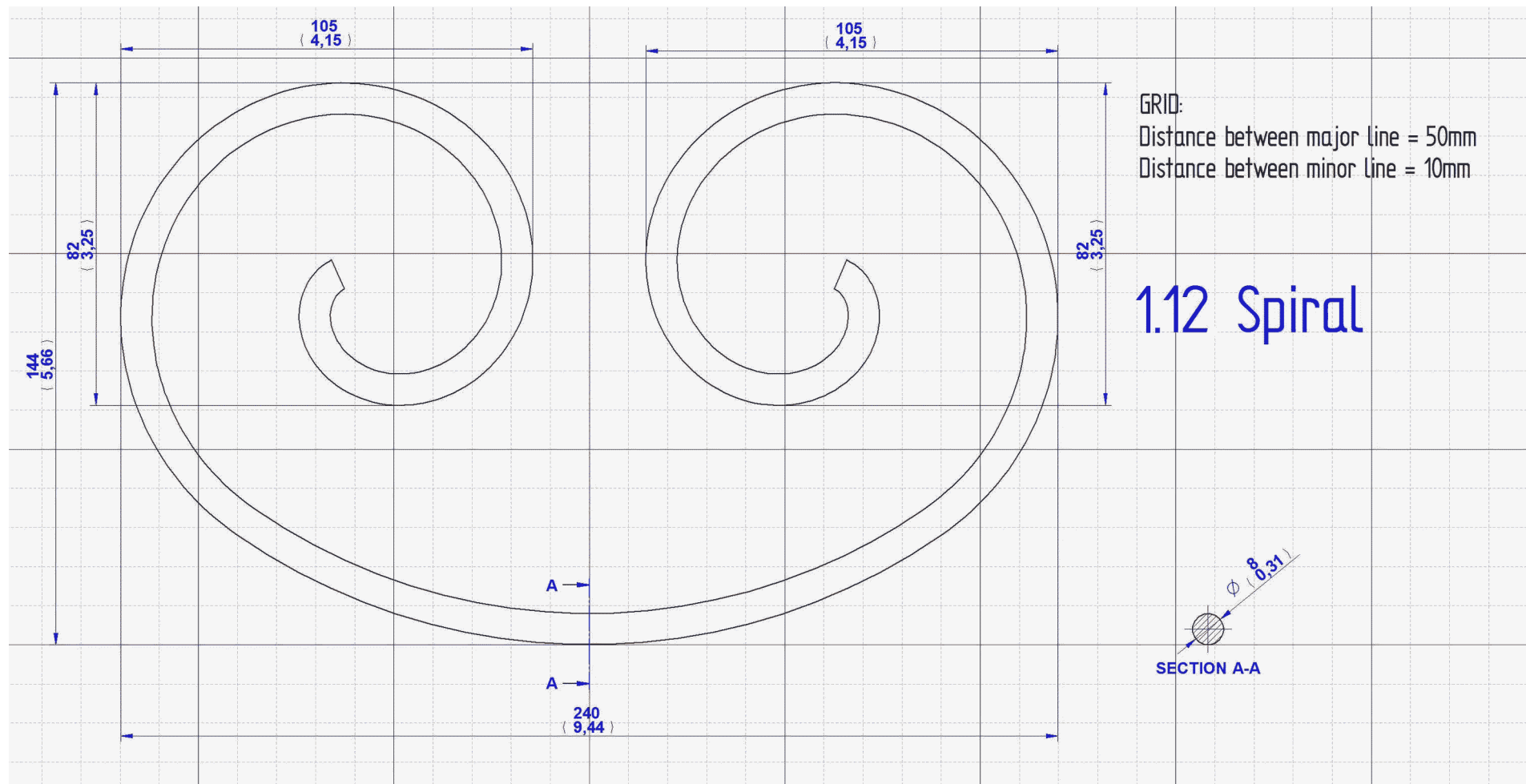
1.09 Perimeter Plate
Cut Length = 2514,00mm





1.10 Wheel Holder

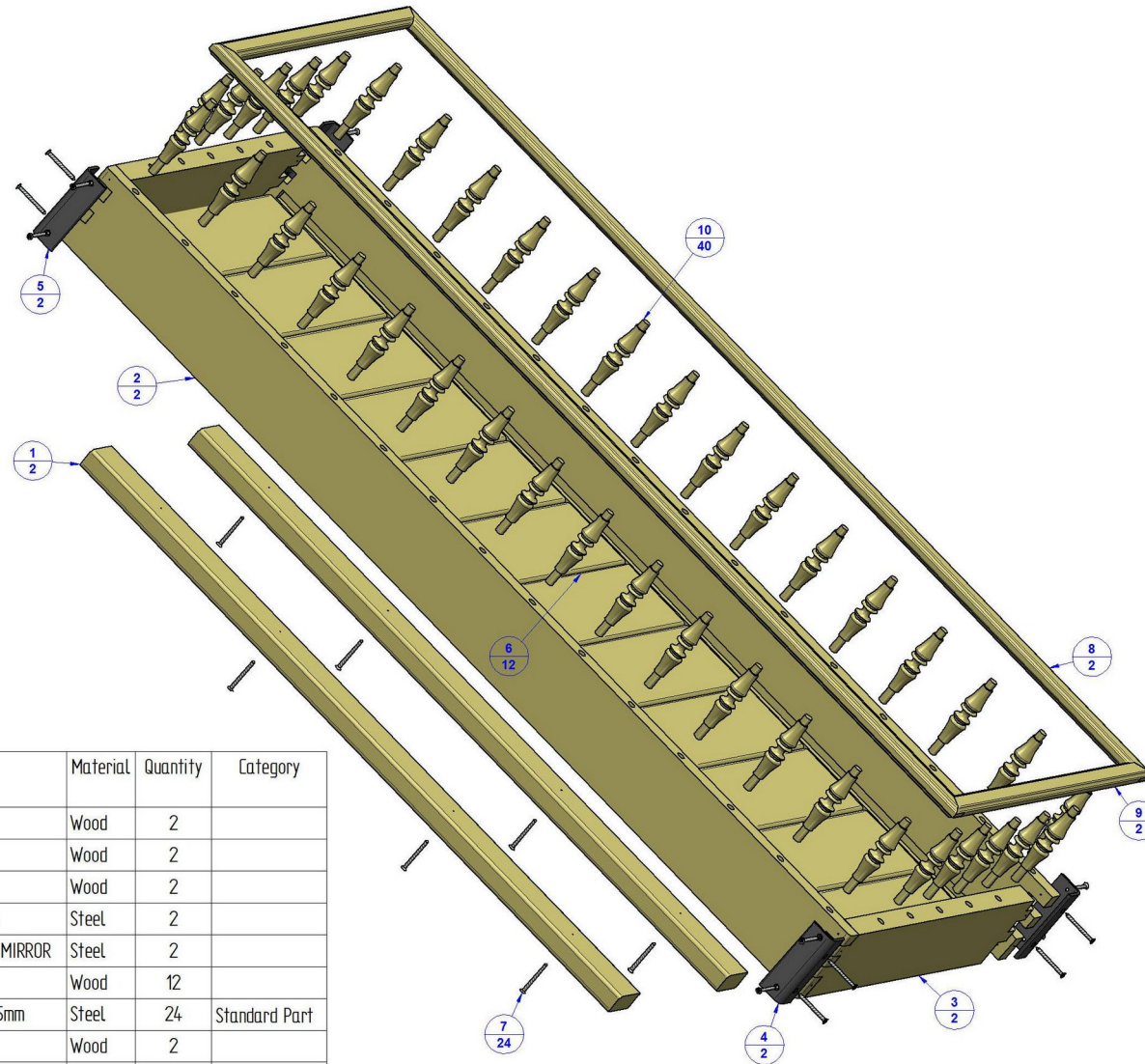




Standard Parts

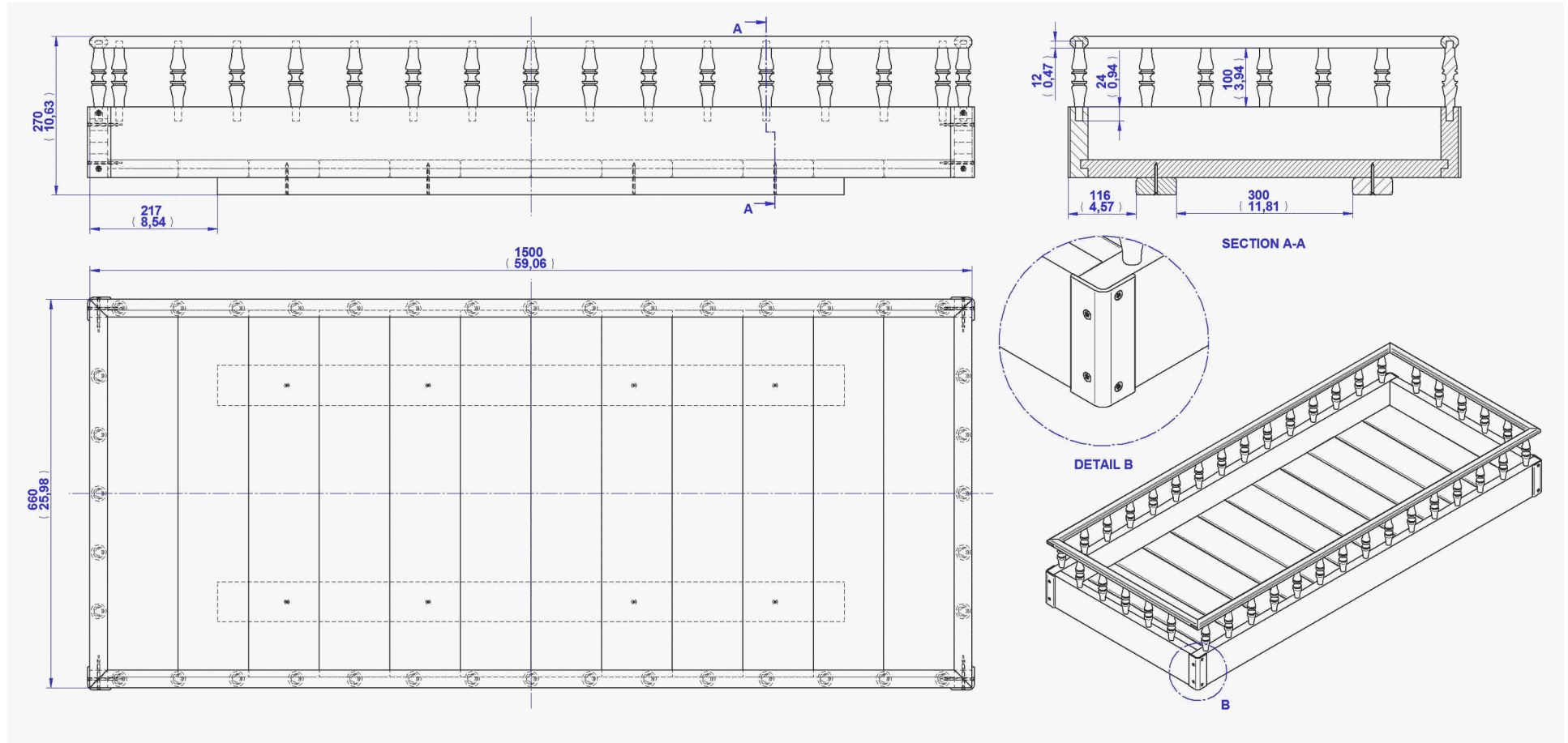


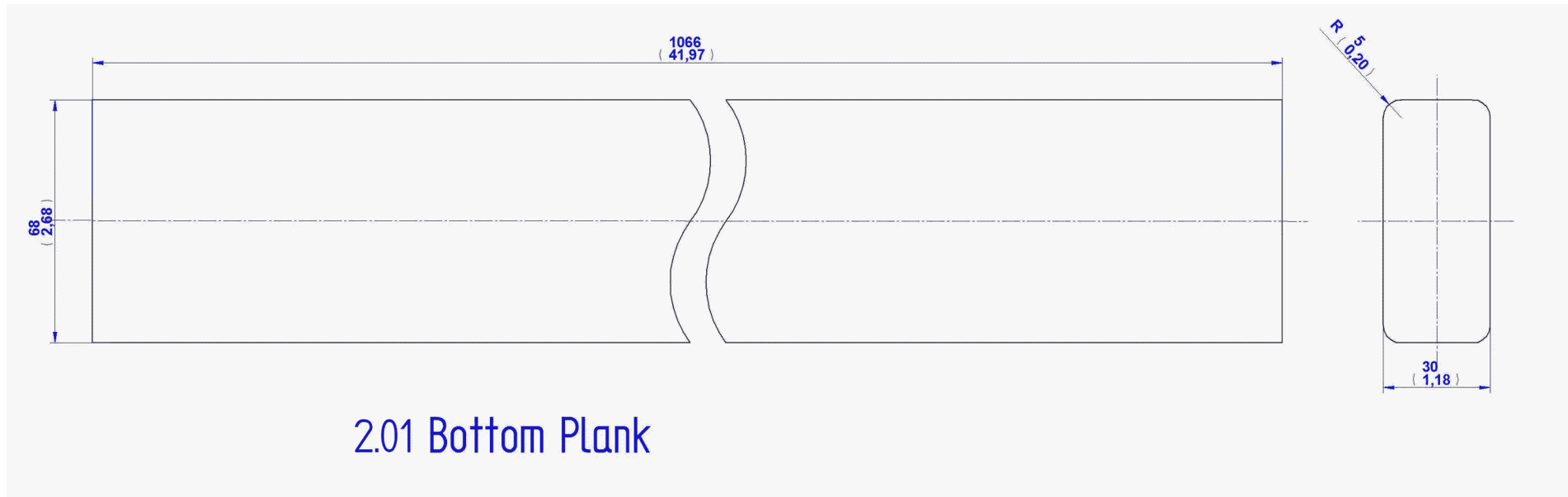
2. Wooden box sub-assembly – Parts list



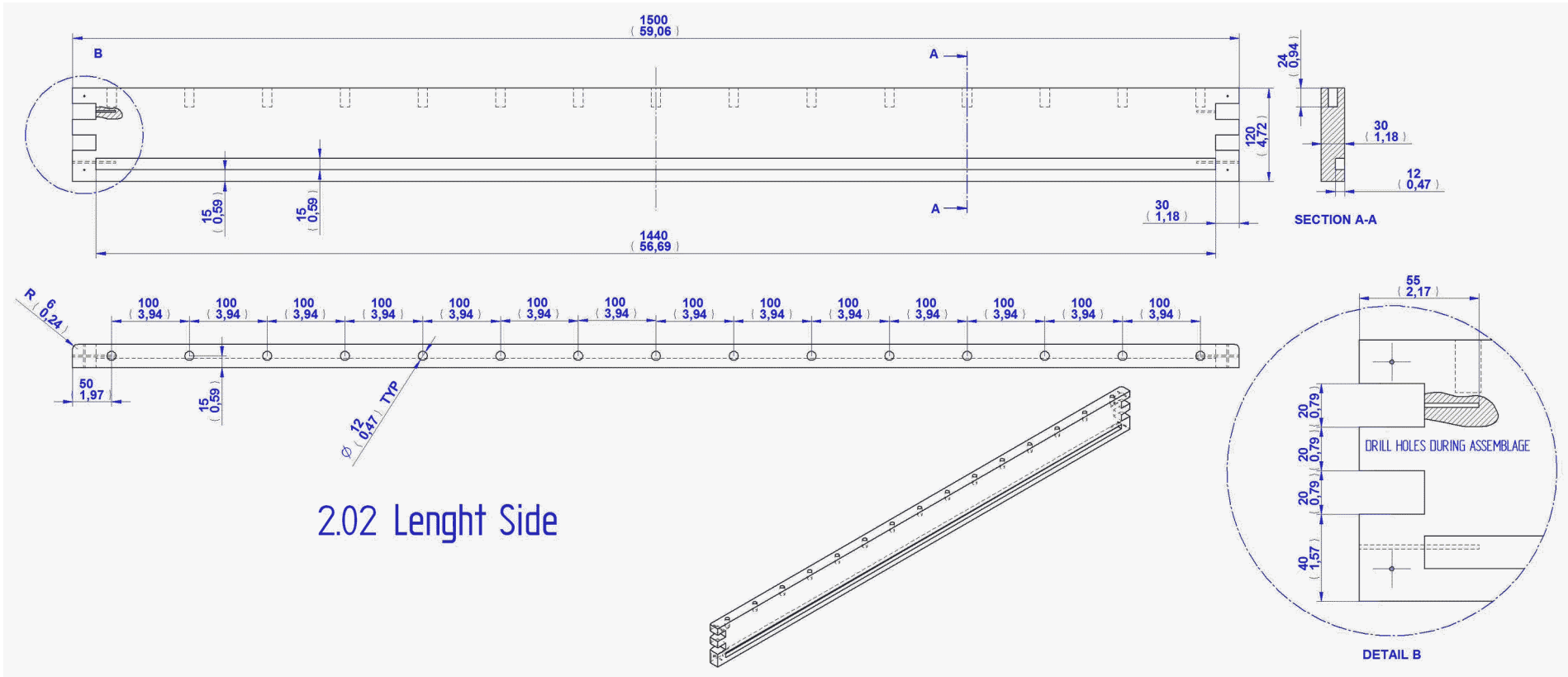
Item Number	Title	Material	Quantity	Category
1	Bottom Plank	Wood	2	
2	Lenght Side	Wood	2	
3	Wide Plank	Wood	2	
4	L Profile 40x40x4mm	Steel	2	
5	L Profile 40x40x4mm MIRROR	Steel	2	
6	Floor Plank	Wood	12	
7	Wood Screw D4,5 x 55mm	Steel	24	Standard Part
8	Top Plank Longer	Wood	2	
9	Top Plank Shorter	Wood	2	
10	Decoration Rib	Wood	40	

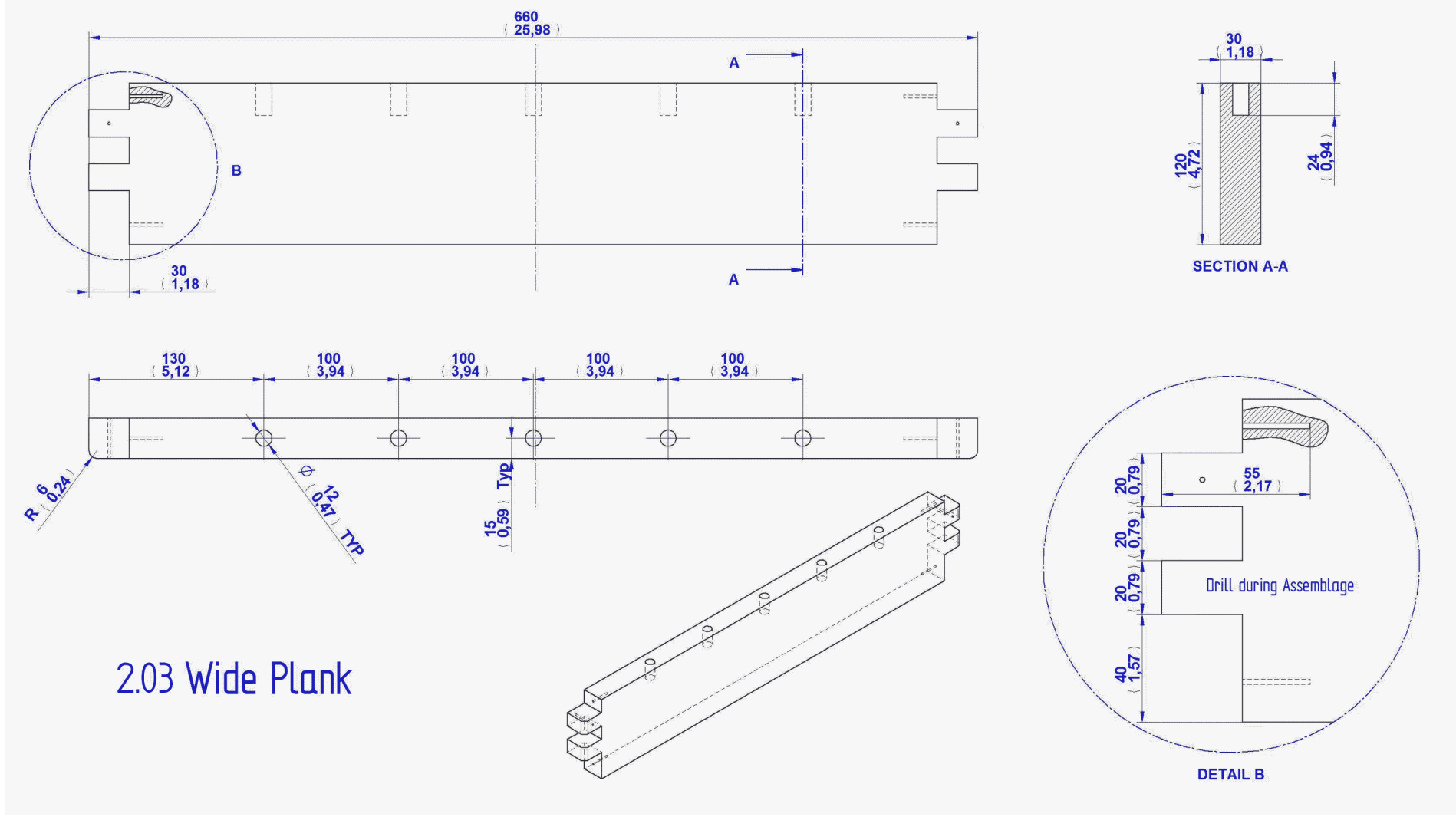
2. Wooden box sub-assembly drawing

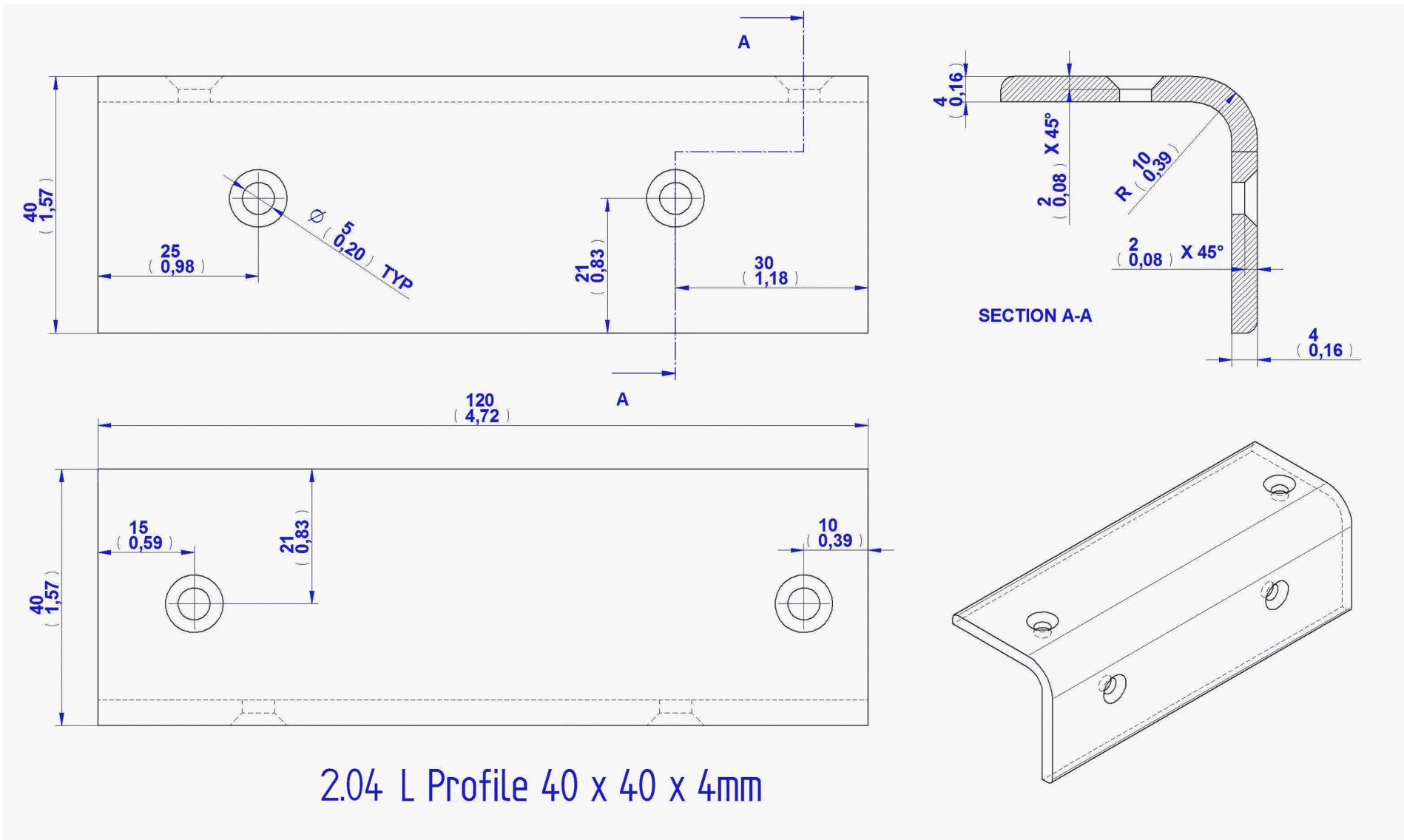


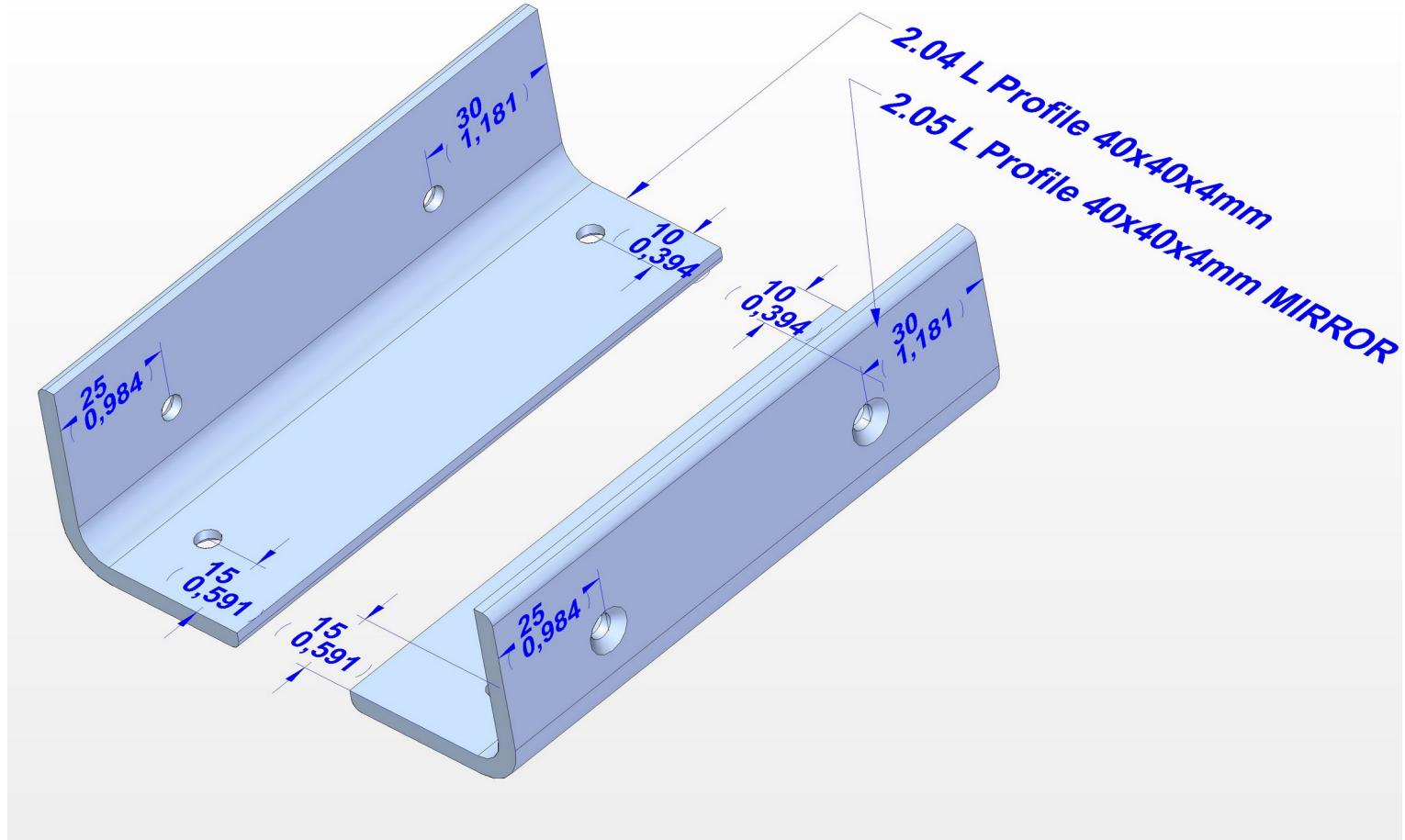


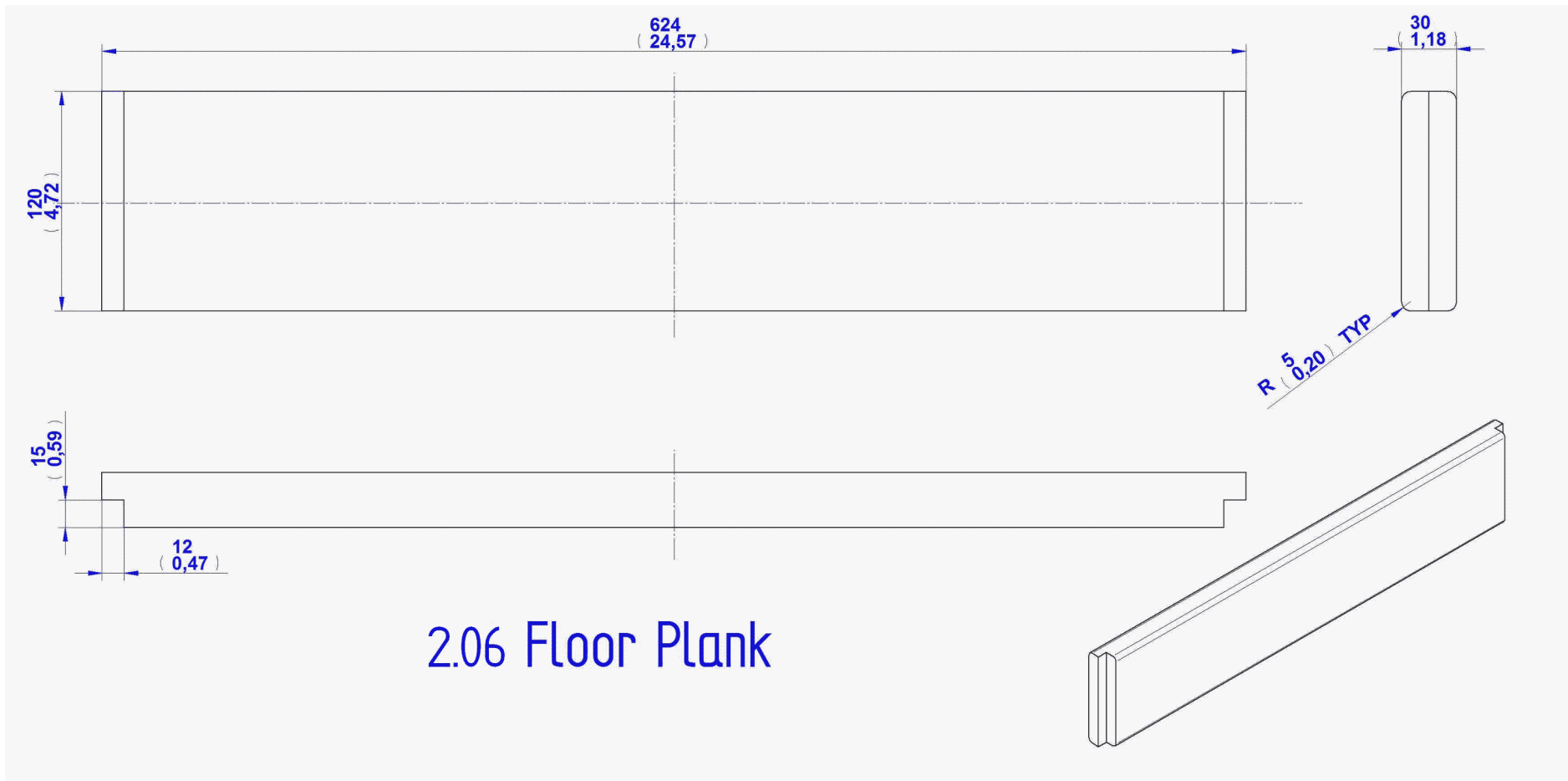
2.01 Bottom Plank



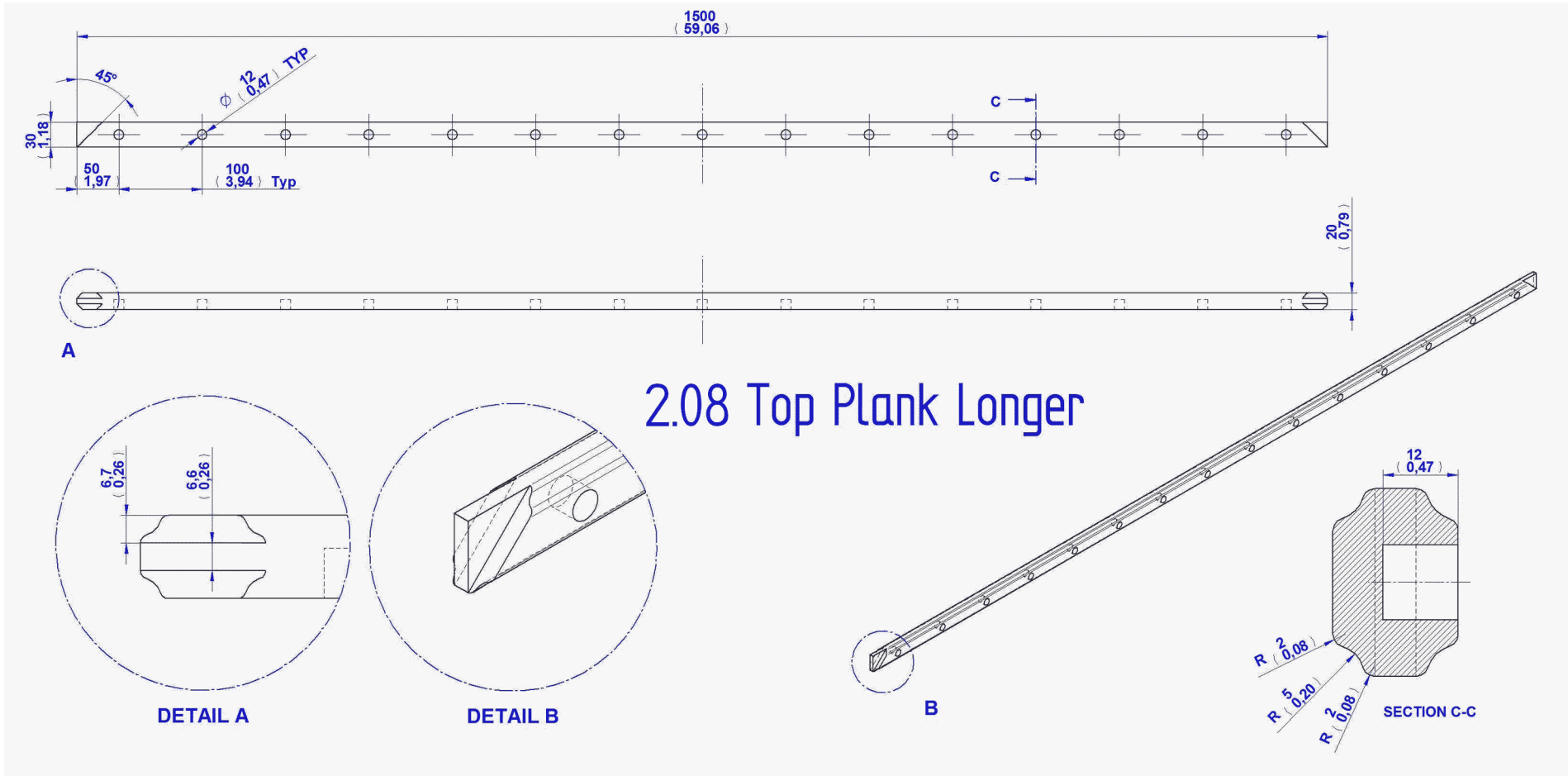




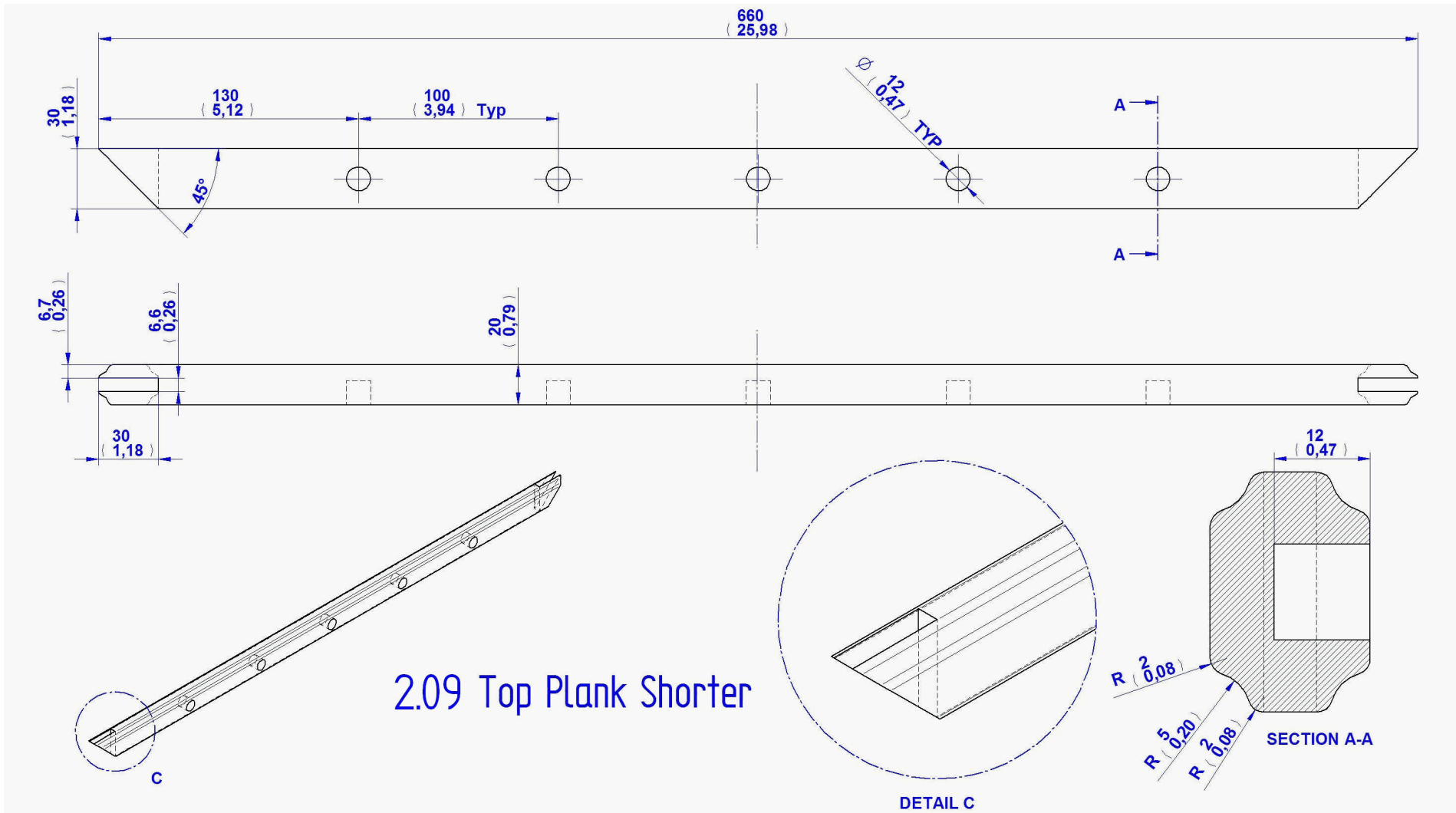


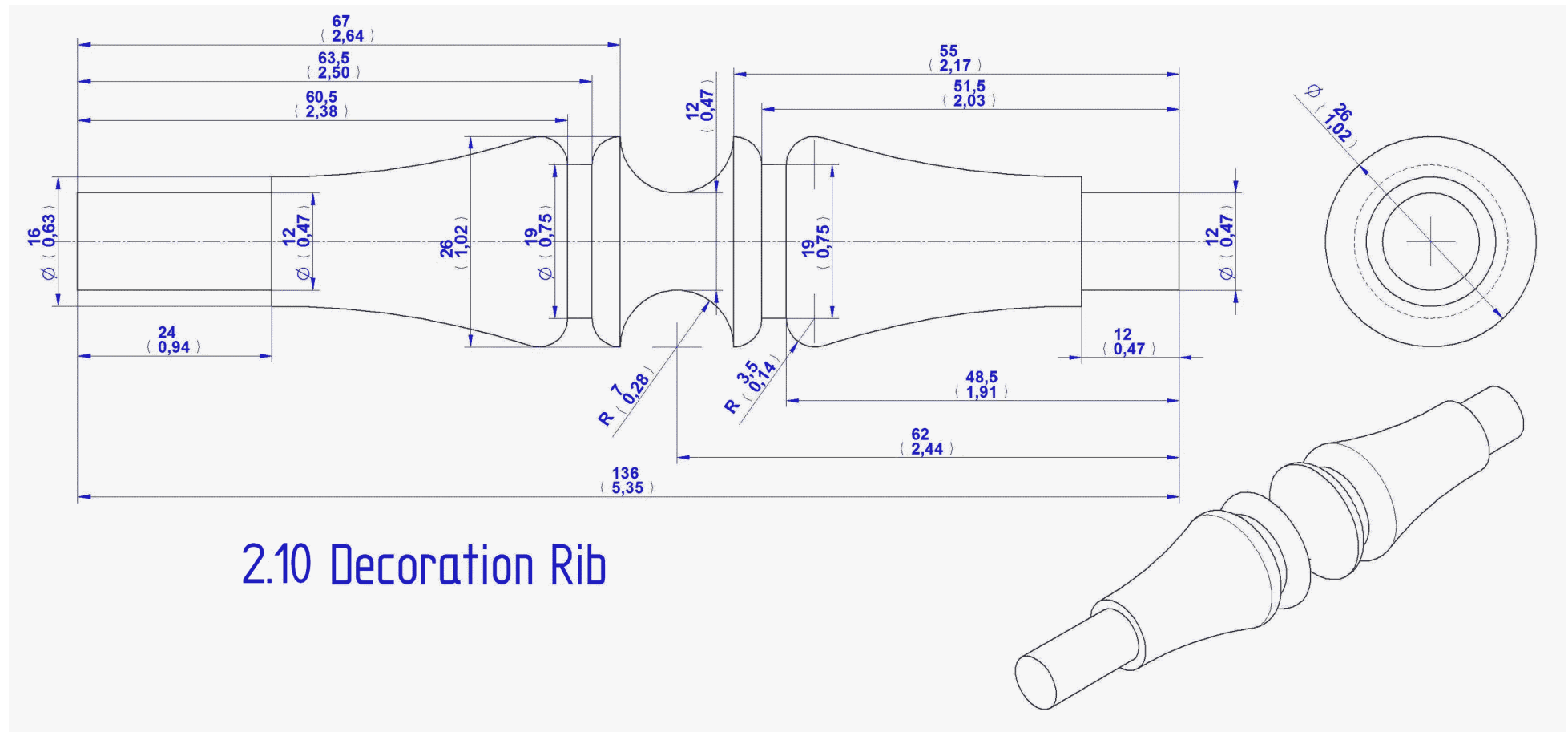


2.06 Floor Plank



2.08 Top Plank Longer





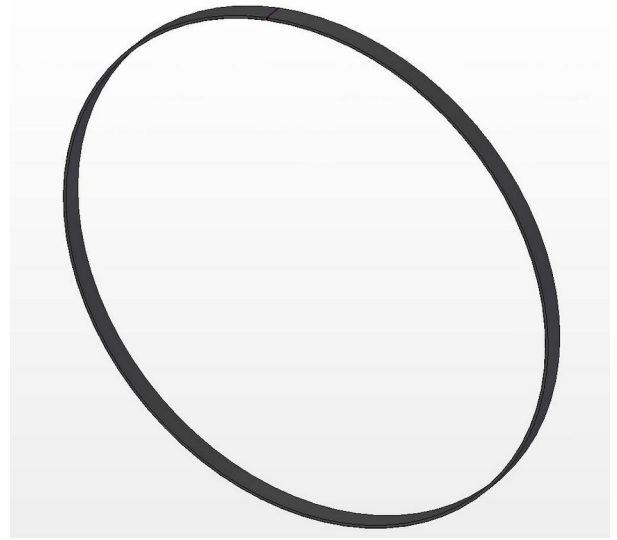
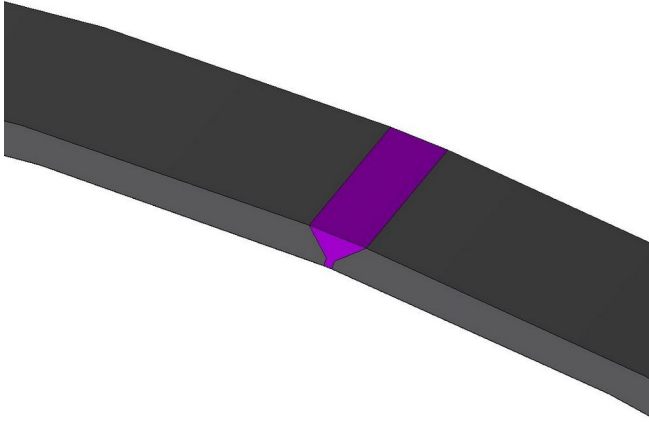
2.10 Decoration Rib

Standard Parts

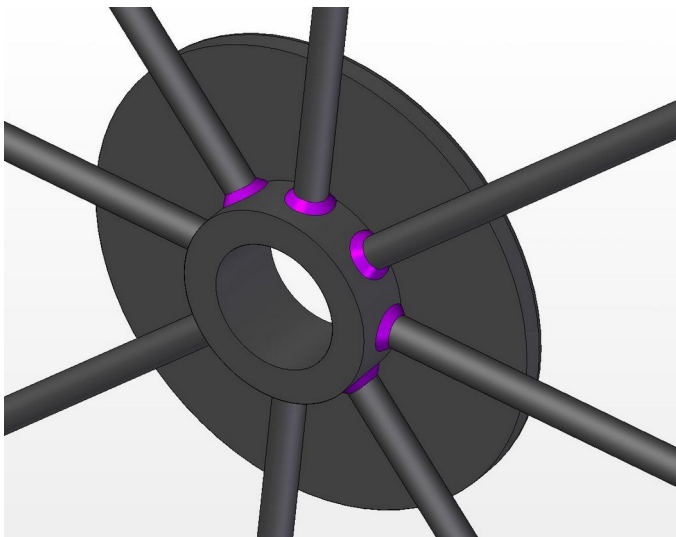
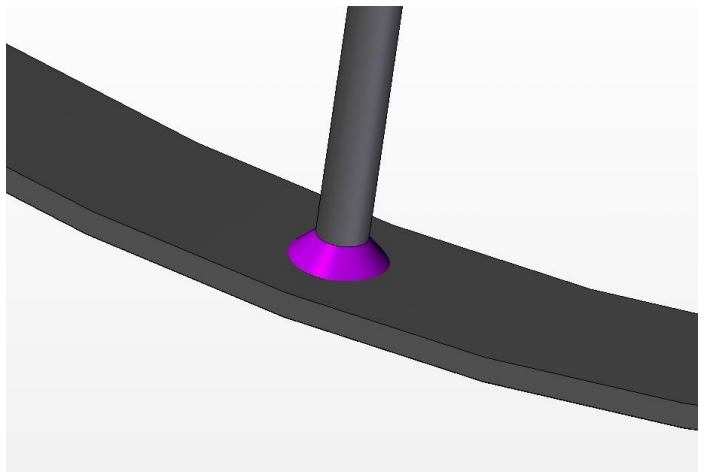
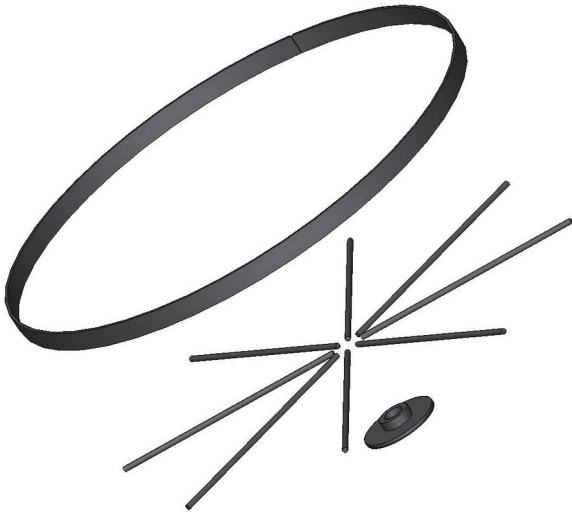


FRAME

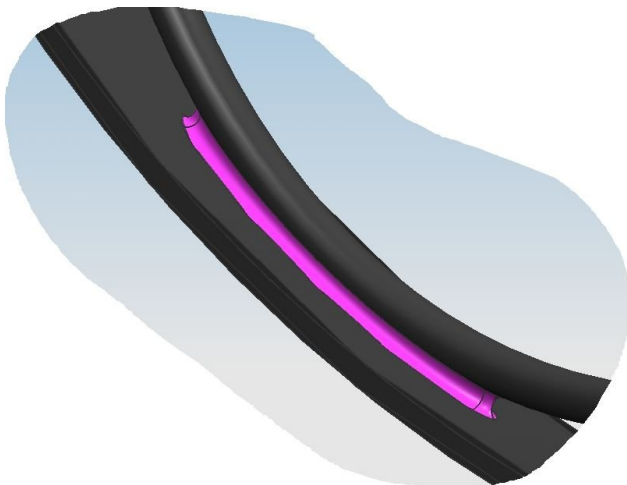
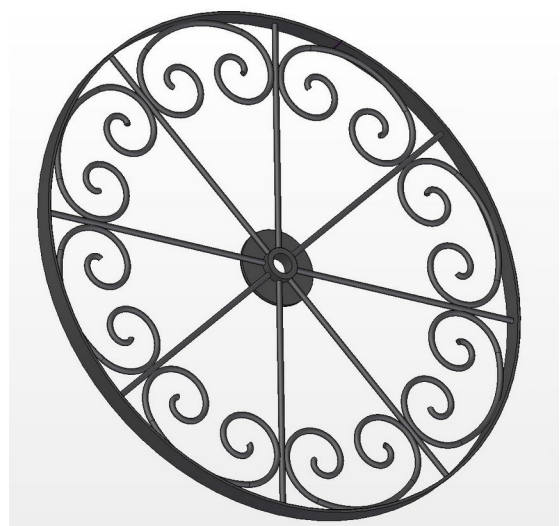
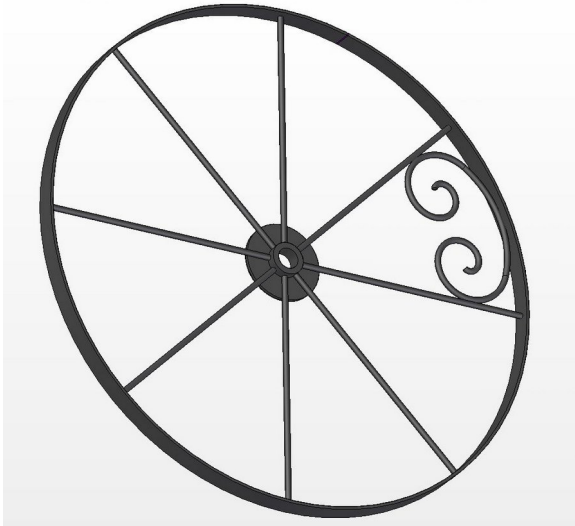
1.



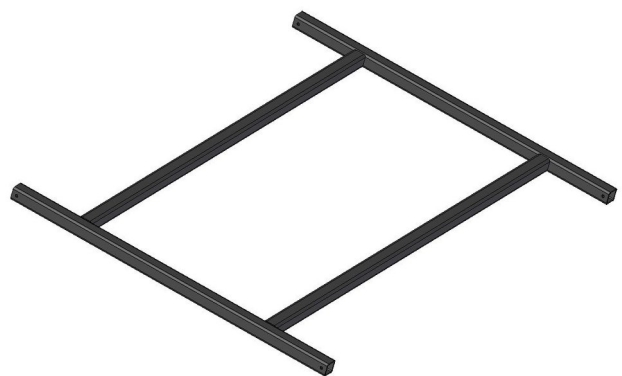
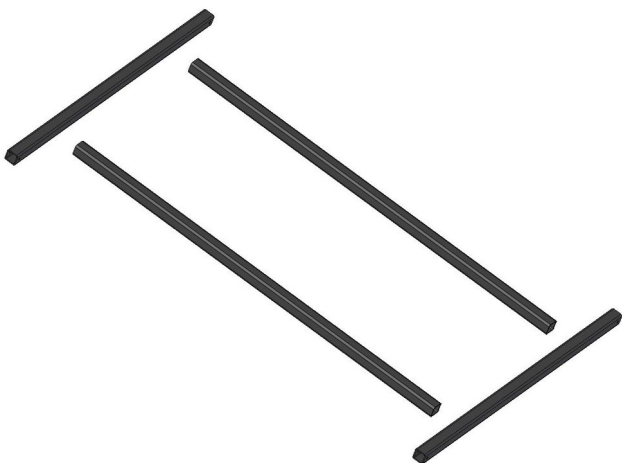
2.

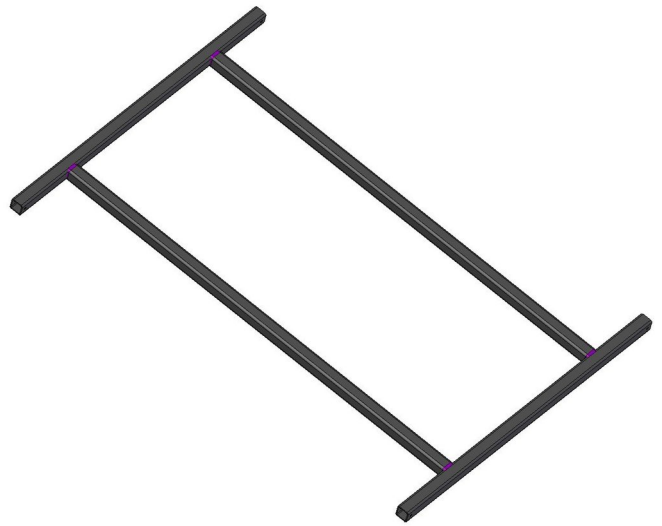
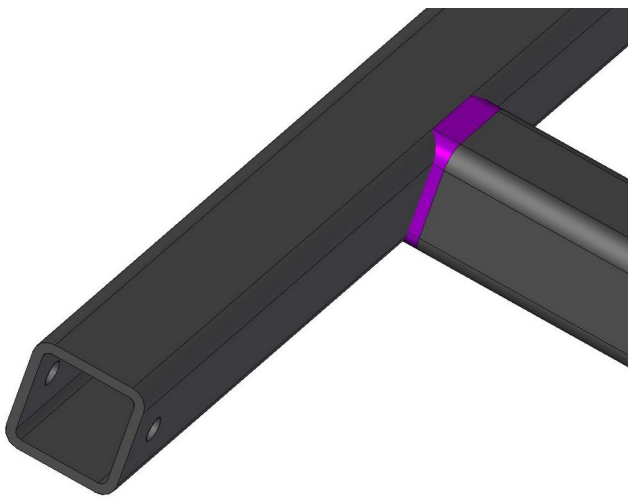


3.

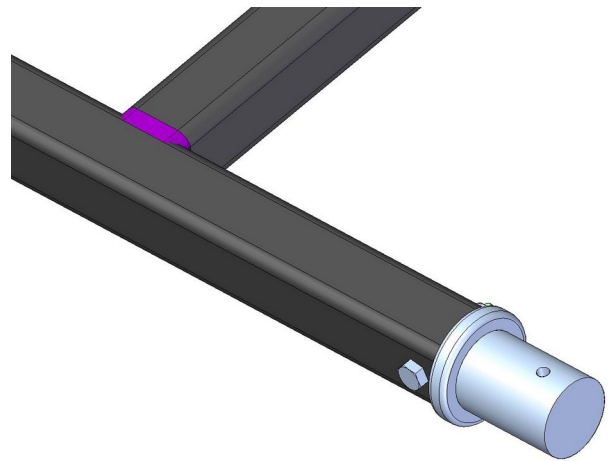
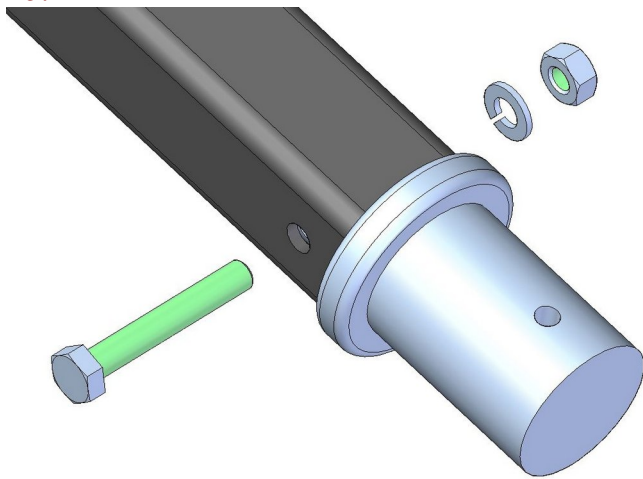


4.

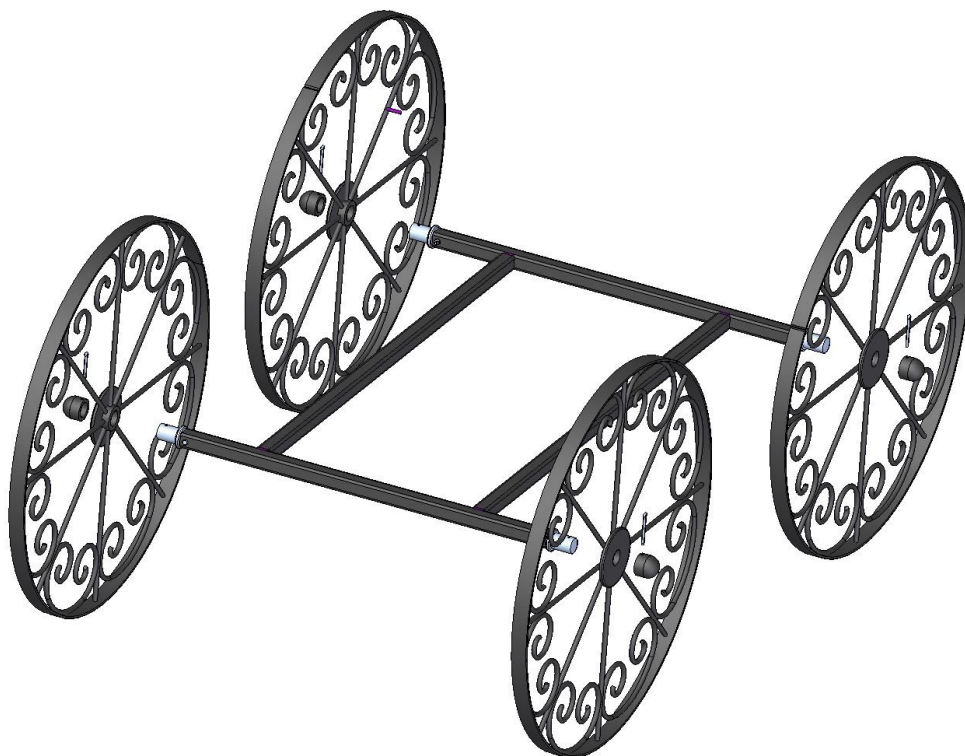
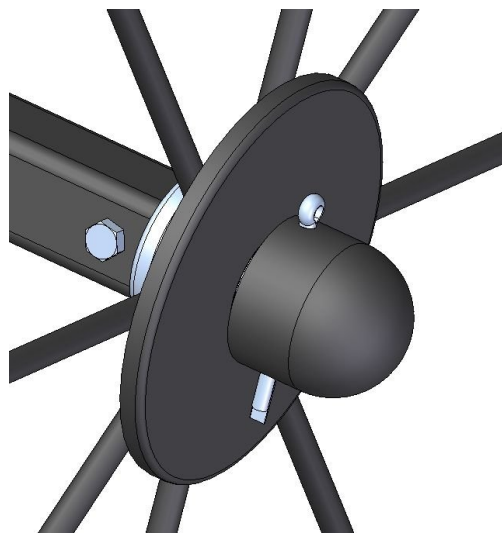
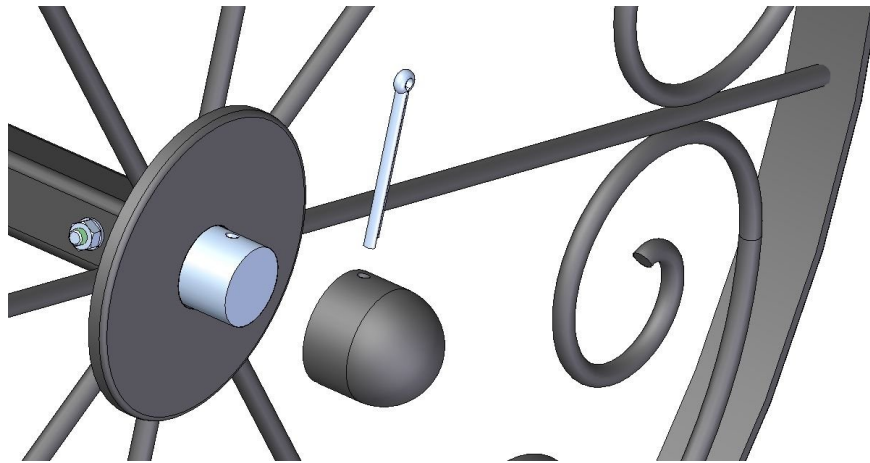


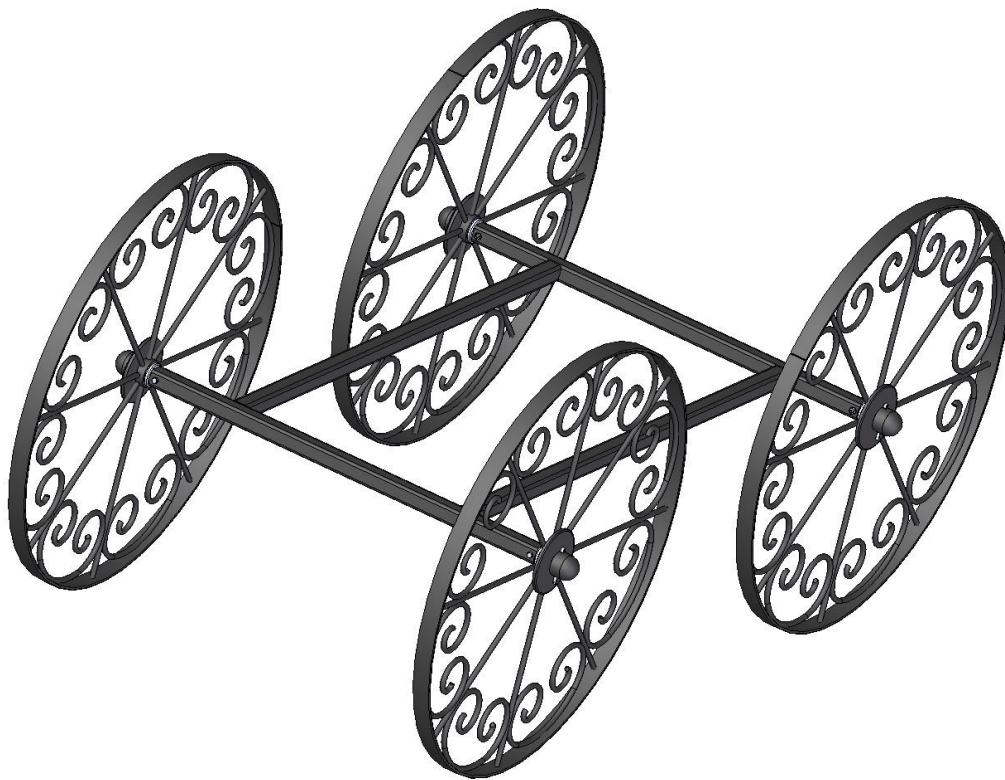


5.



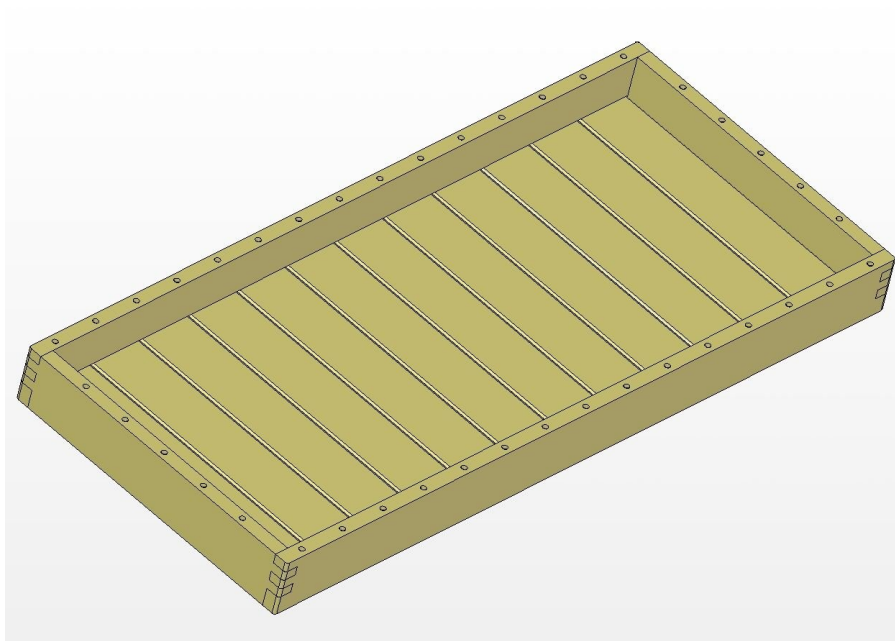
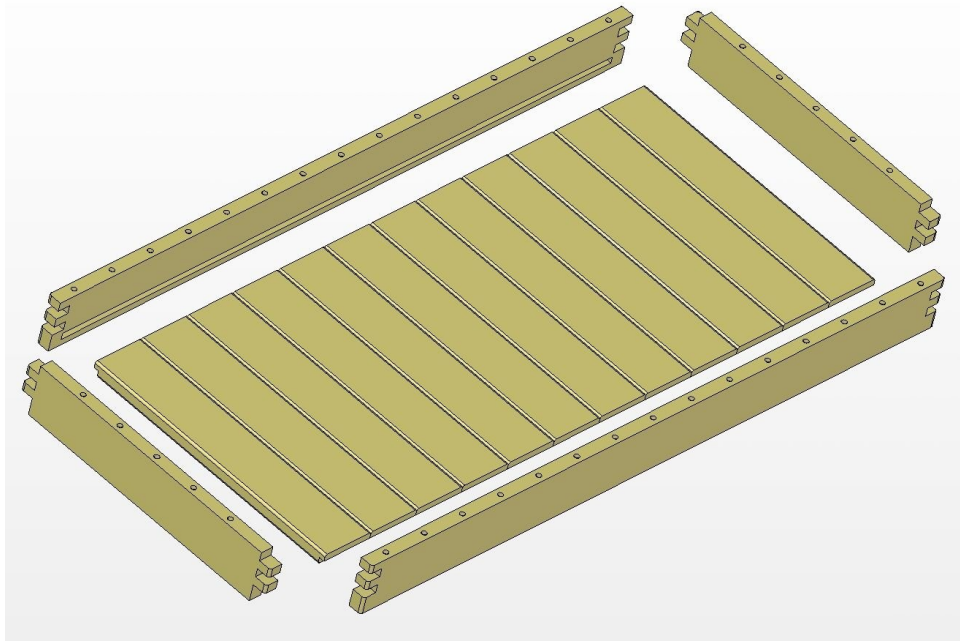
6.



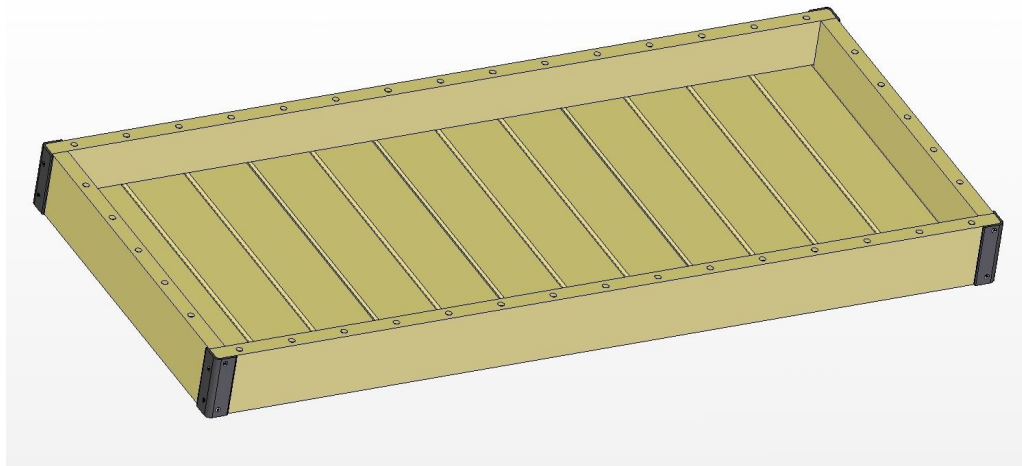
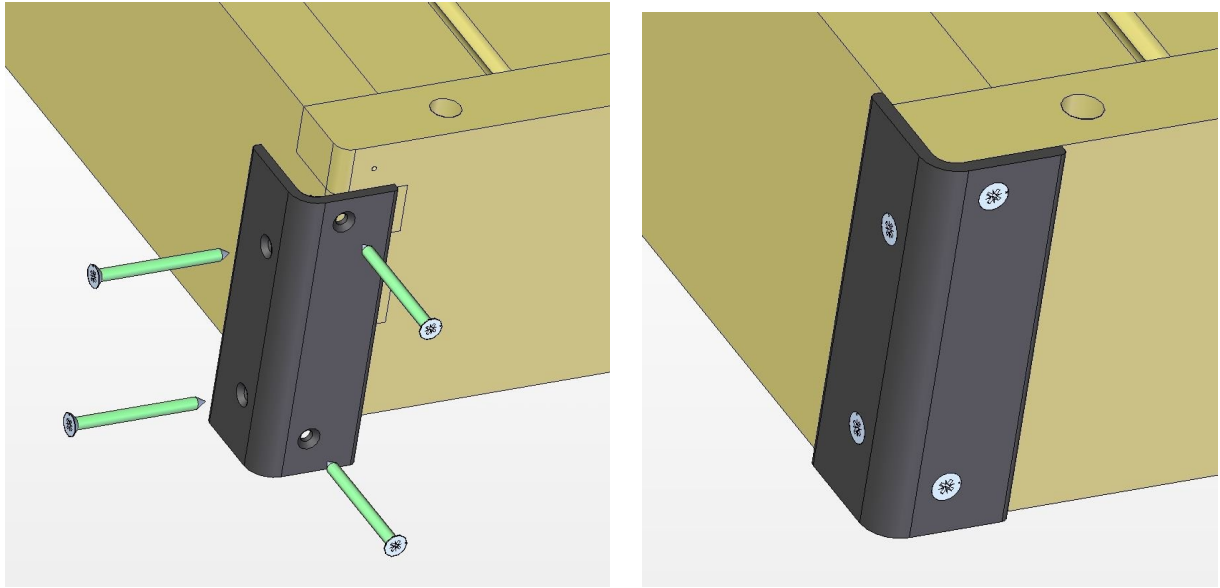


WOODEN BOX

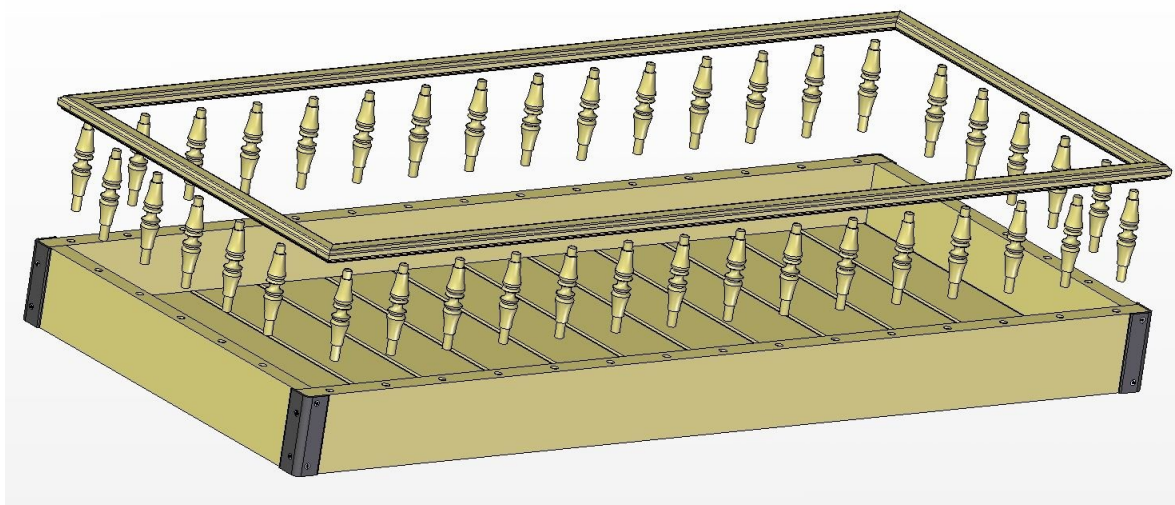
1.

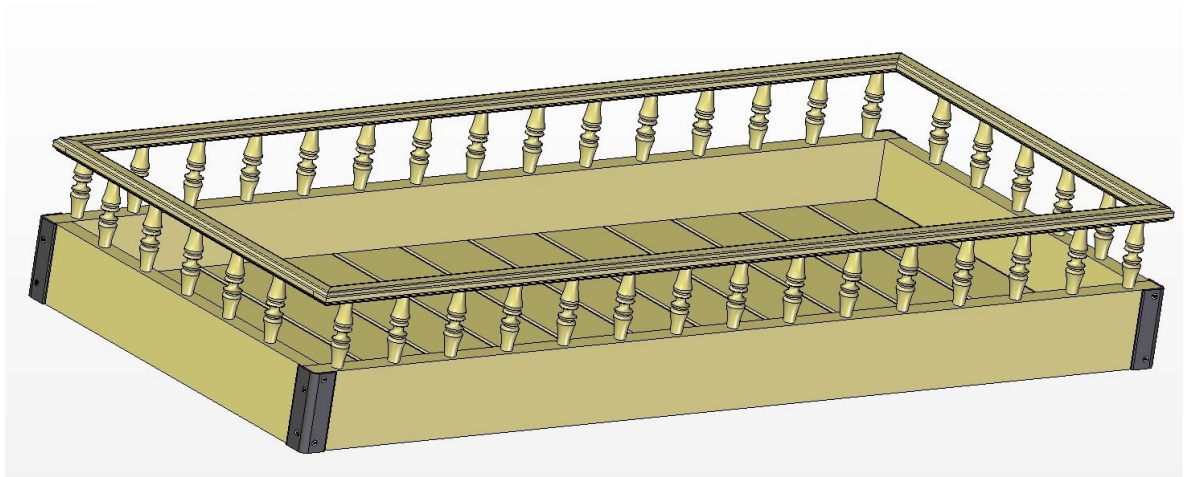


2.

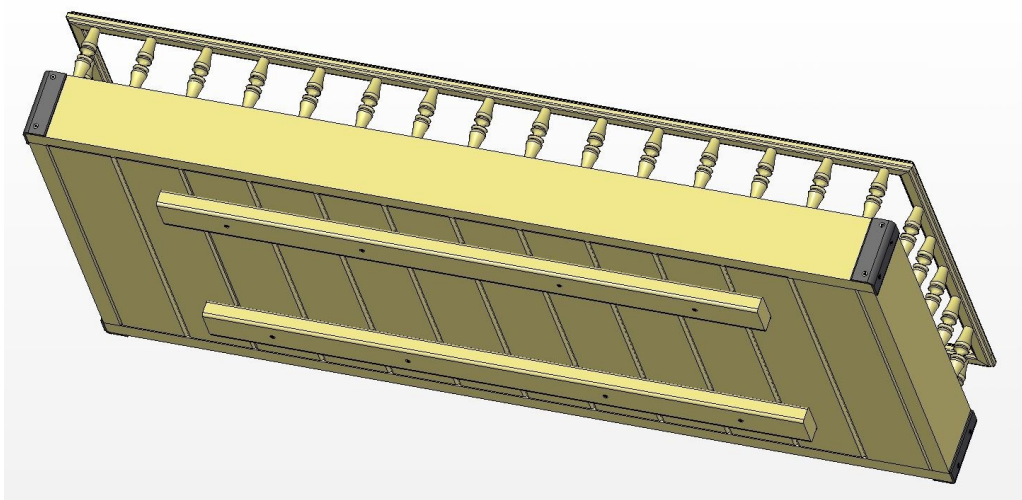
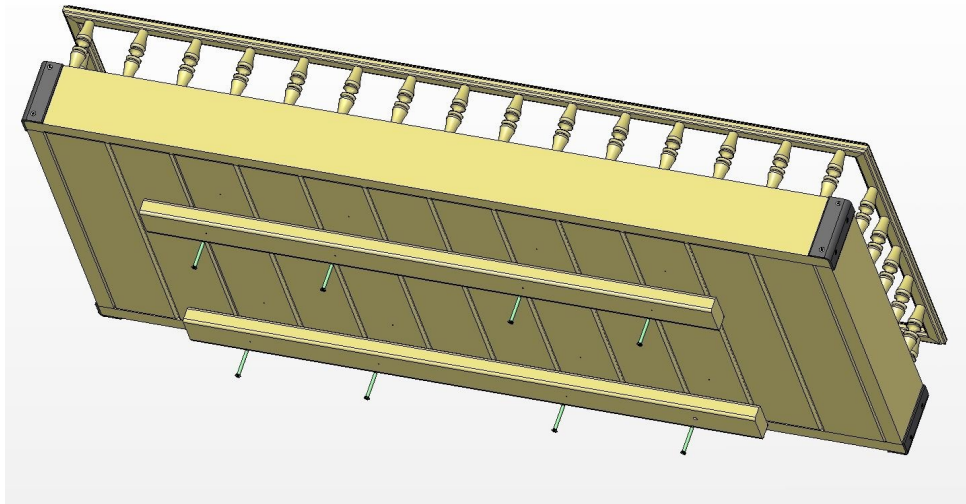


3.





4.



MAIN ASSEMBLY

