

Decorative embroidery box plan



Art of hand-made embroidery is one of the most beautiful craft and its origins are reaching long back in the history – around 5th Century BC. Its purpose is to decorate various fabrics with thread, floss and yarn. People simply love to use their imagination and decorate their blouses, table clothes, bedsheets etc. and almost each nation has its own distinctive style of embroidery. Now, each embroidery design is made by rich colored motives and for that everyone needs a lot of spools of threads. This wooden decorative embroidery box is just ideal to keep that embroidery threads in it, scissors, embroidery needles and other things, to have a nice embroidery kit always arranged when inspired for sewing.

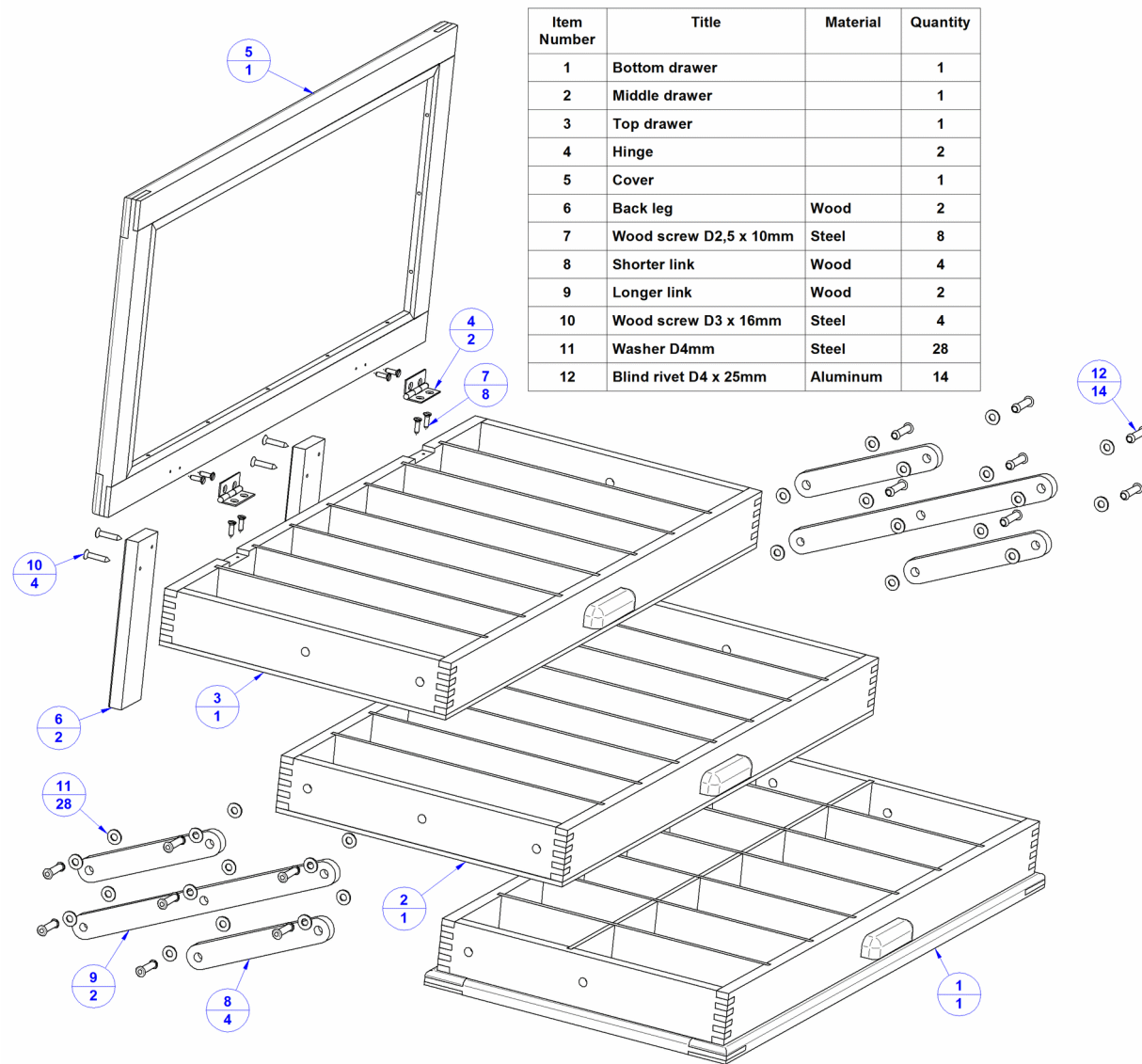
The box consists of 3 trays that are opened together by a mechanism. In each tray there are partitions to divide it into several compartments. The illustration shows the appearance of an open and closed box. This whole plan is based on a box over 50 years old. The box was owned by a professional tailor and it served him for a very long time. In this woodworking plan, the partitions were made to resemble the original embroidery box that we found quite inspiring, but they can easily be altered and adapted to your needs. The top tray has a lid made of glass, giving the box a decorative note and enabling you to see its content. Since the original box is still in use, speaking out of our own experience, we recommend that the things you use most often are kept in the top tray.

Each tray consists of sides that are joined by box joints and has a bottom that is glued and additionally tied with small nails for box sides. All three trays are connected by a mechanism that opens an attractive embroidery box (see picture above) and allows you to have access to all the trays at the same time.

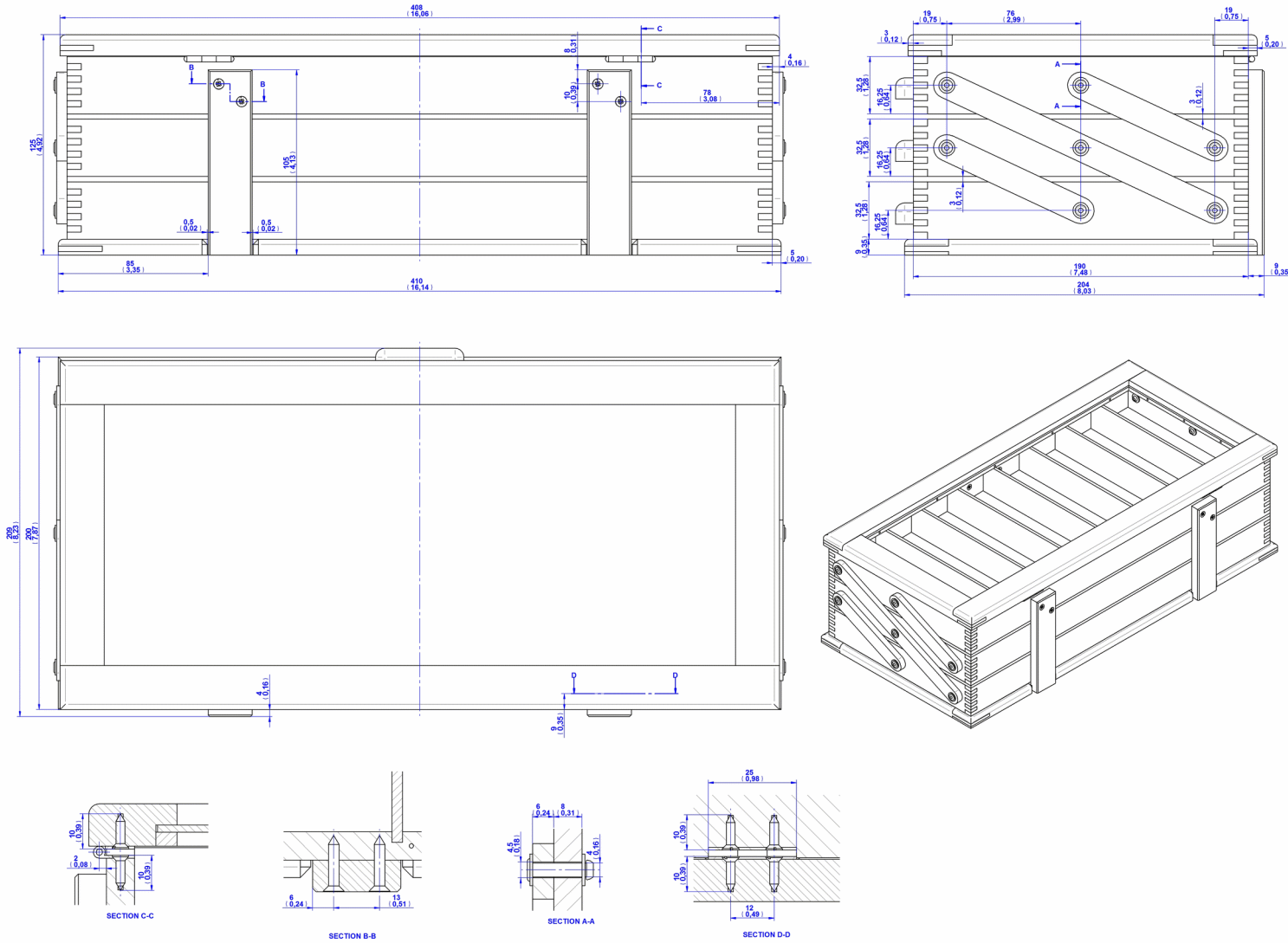
If you want to change the dimensions of the whole box, special attention should be paid to the opening mechanism to keep it functioning smoothly, as well as the supports that prevent the box from tilting back when it opens. Although this box seems to be a complex one, it is actually not hard to make. It requires a lot of precision and experience, though. Its construction consists of very simple parts that are connected by box joints whose design is known to every box maker. If you have even the slightest idea about woodworking, and your wife or daughter happen to like sewing, we recommend this beautiful embroidery box as a unique DIY gift idea for both or either of them!

To make the box more beautiful, you can decorate its sides with some of the wood decoration techniques: carving, painting, marquetry...

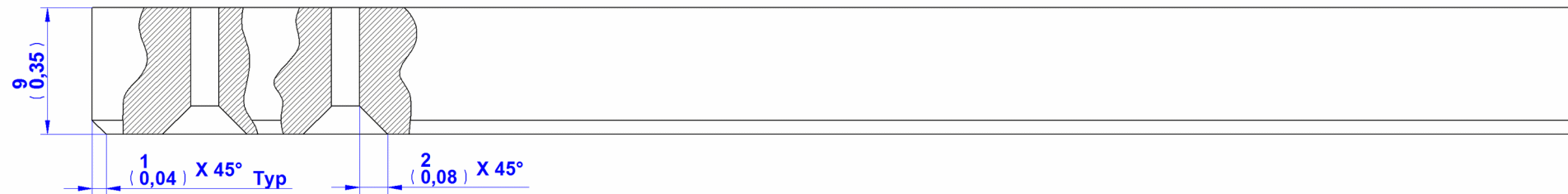
Embroidery box subassembly list



Embroidery box assembly drawing

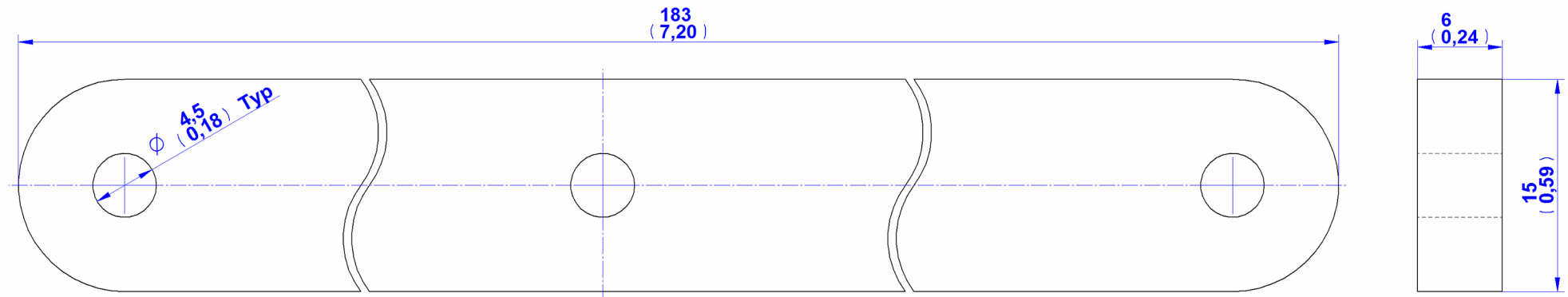


Embroidery box – parts drawings



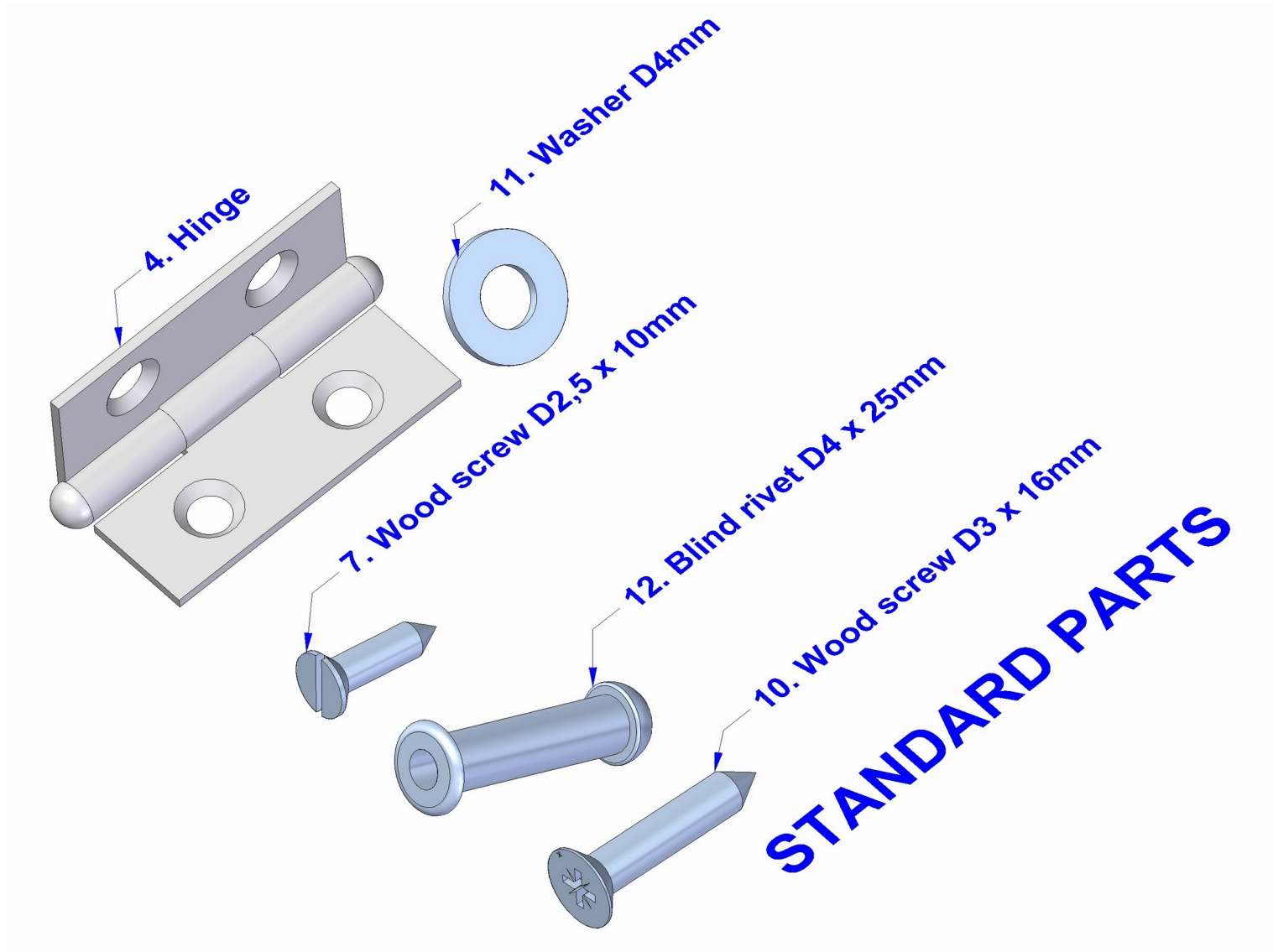


8. Shorter link



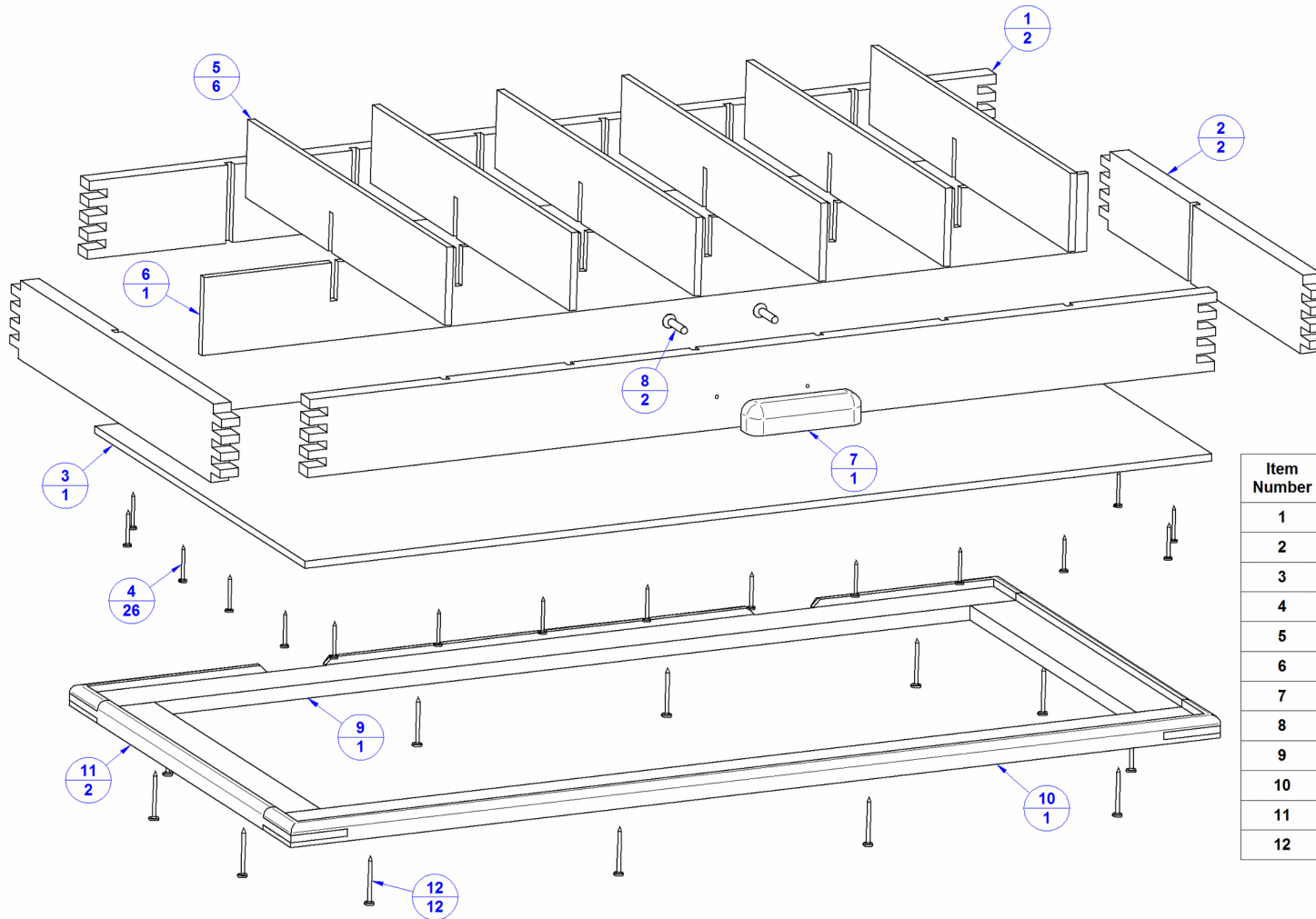
9. Longer link

Embroidery box standard parts



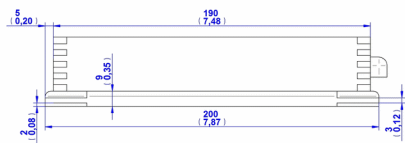
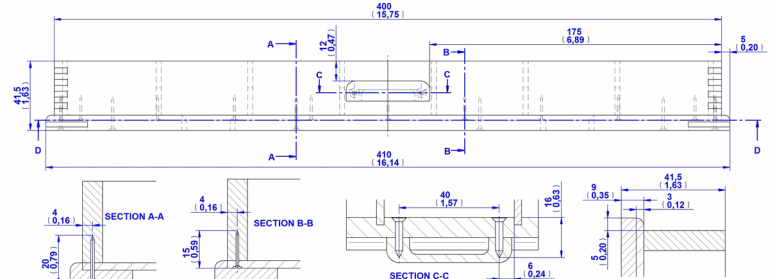
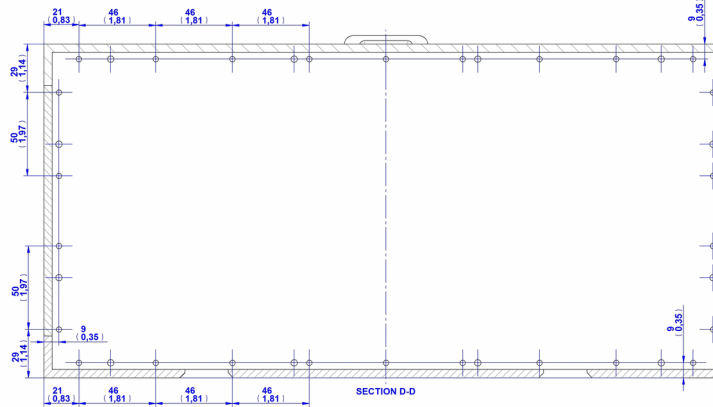
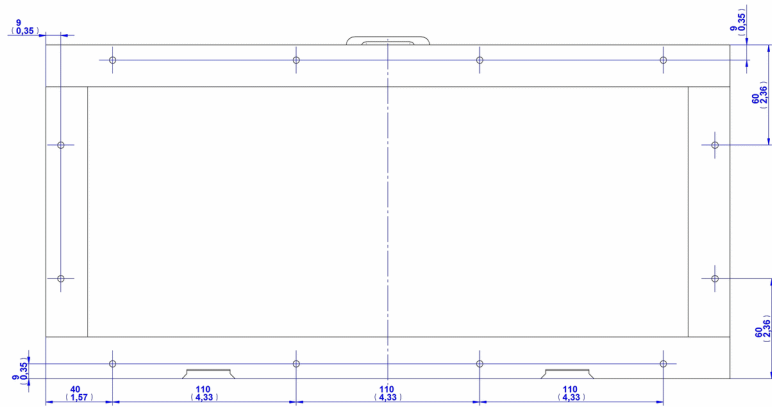
Embroidery box – Sub-assembly documentation

1. Bottom drawer sub-assembly - Parts list

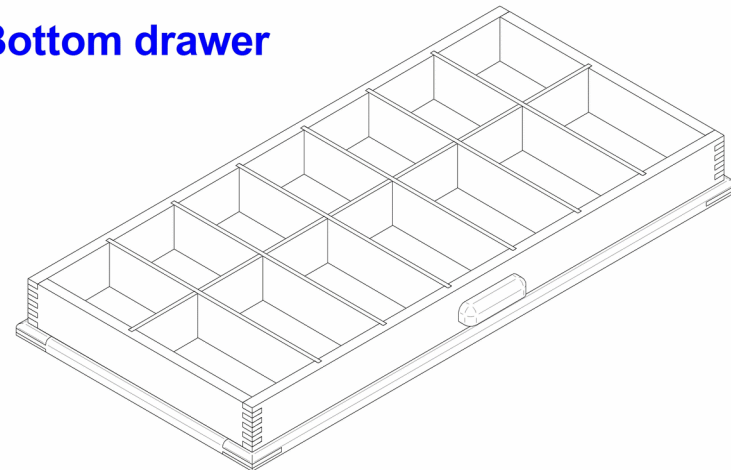
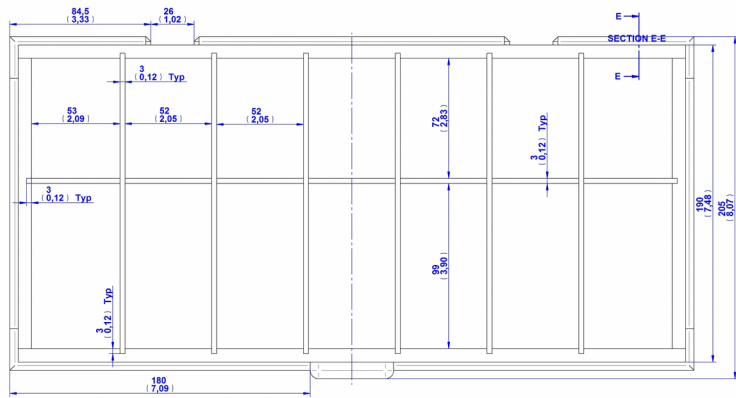


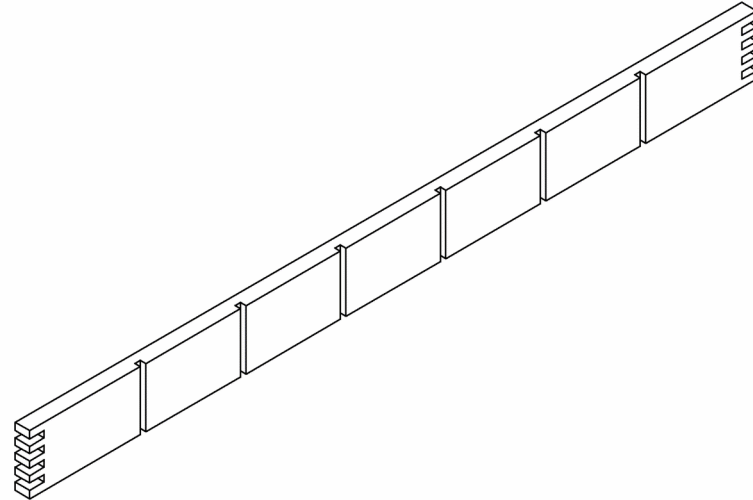
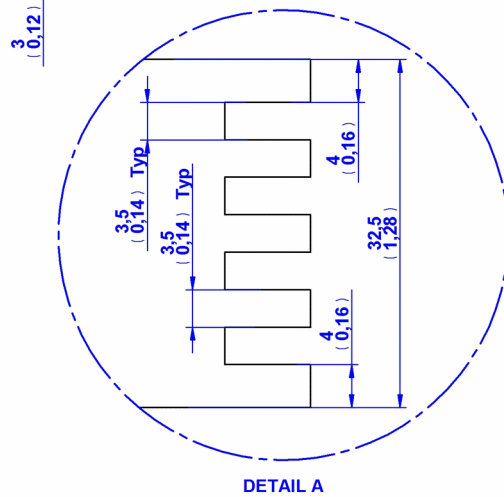
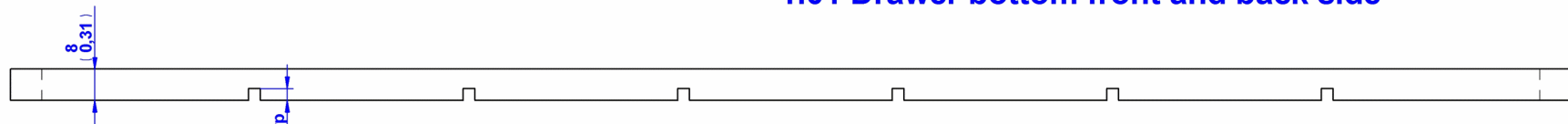
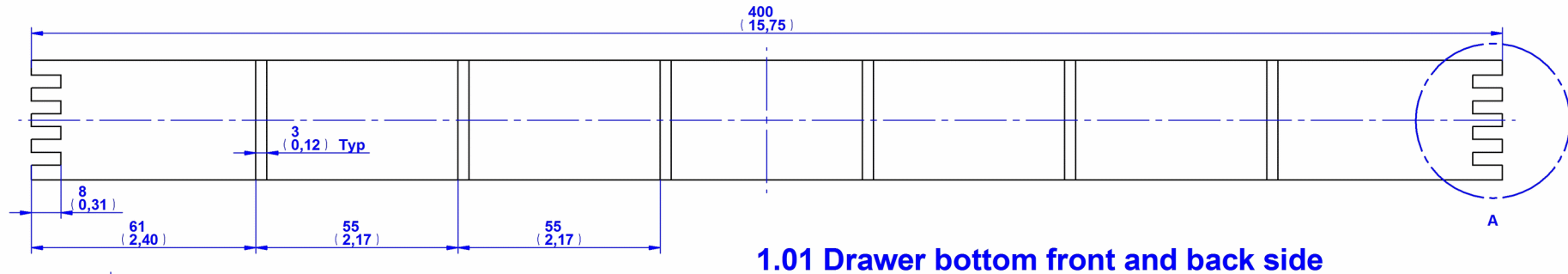
Item Number	Title	Material	Quantity
1	Drawer bottom front and back side	Wood	2
2	Drawer bottom side	Wood	2
3	Bottom	Wood	1
4	Pin D1,2 x 15mm	Steel	26
5	Partition wall 1 - Bottom drawer	Wood	6
6	Partition wall 2 - Bottom drawer	Wood	1
7	Handle	Wood	1
8	Wood screw D3 x 16mm	Steel	2
9	Longer bottom lath 2	Wood	1
10	Longer bottom lath 1	Wood	1
11	Shorter bottom lath	Wood	2
12	Pin D1,4 x 20mm	Steel	12

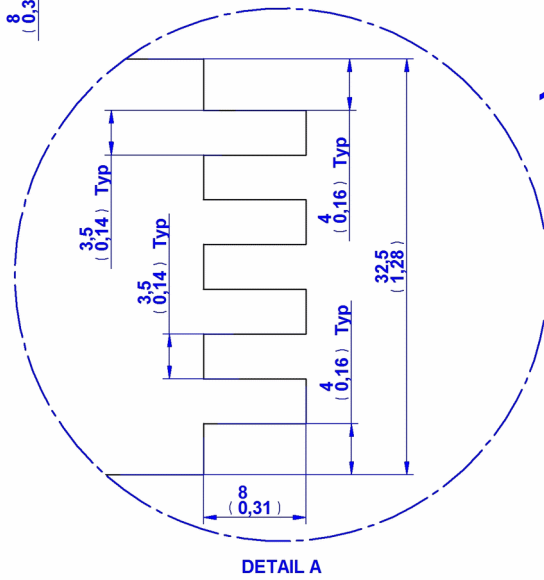
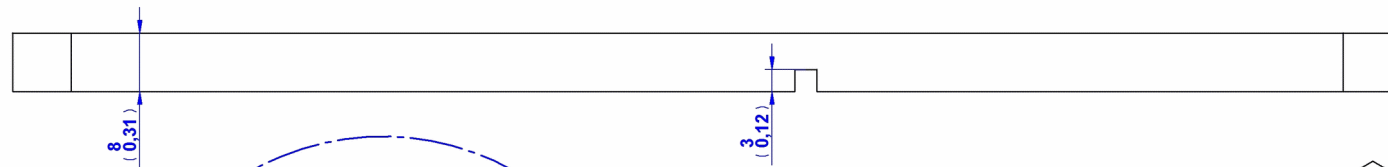
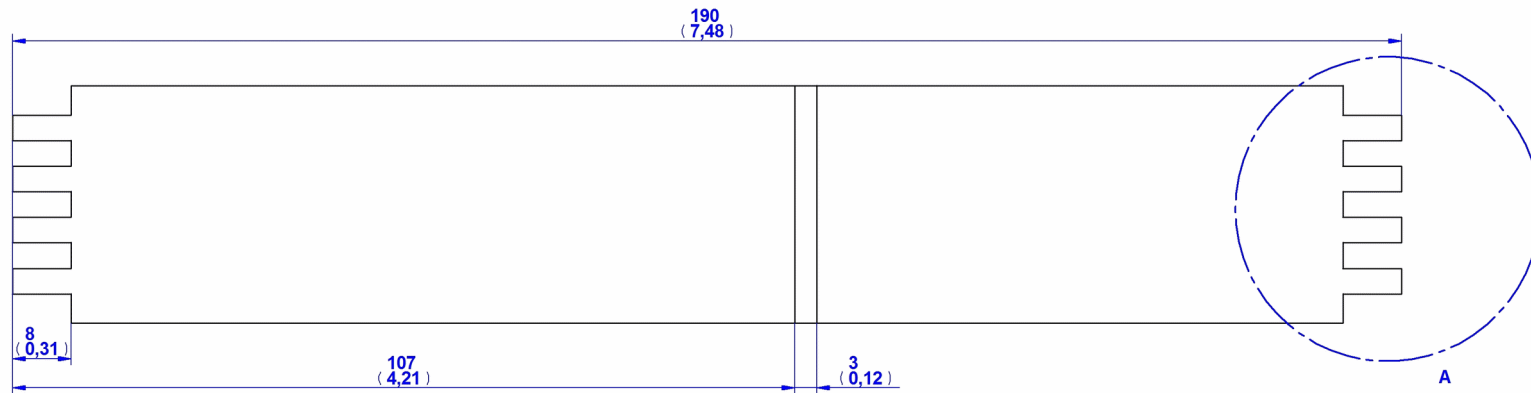
Bottom drawer sub-assembly assembly drawings



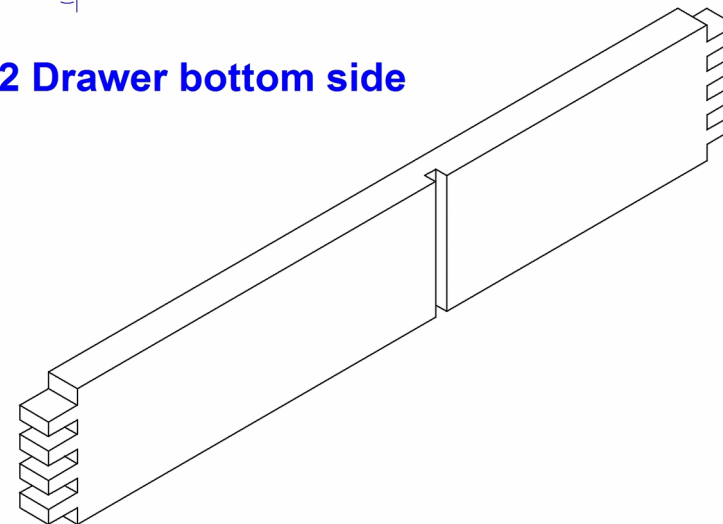
1. Bottom drawer

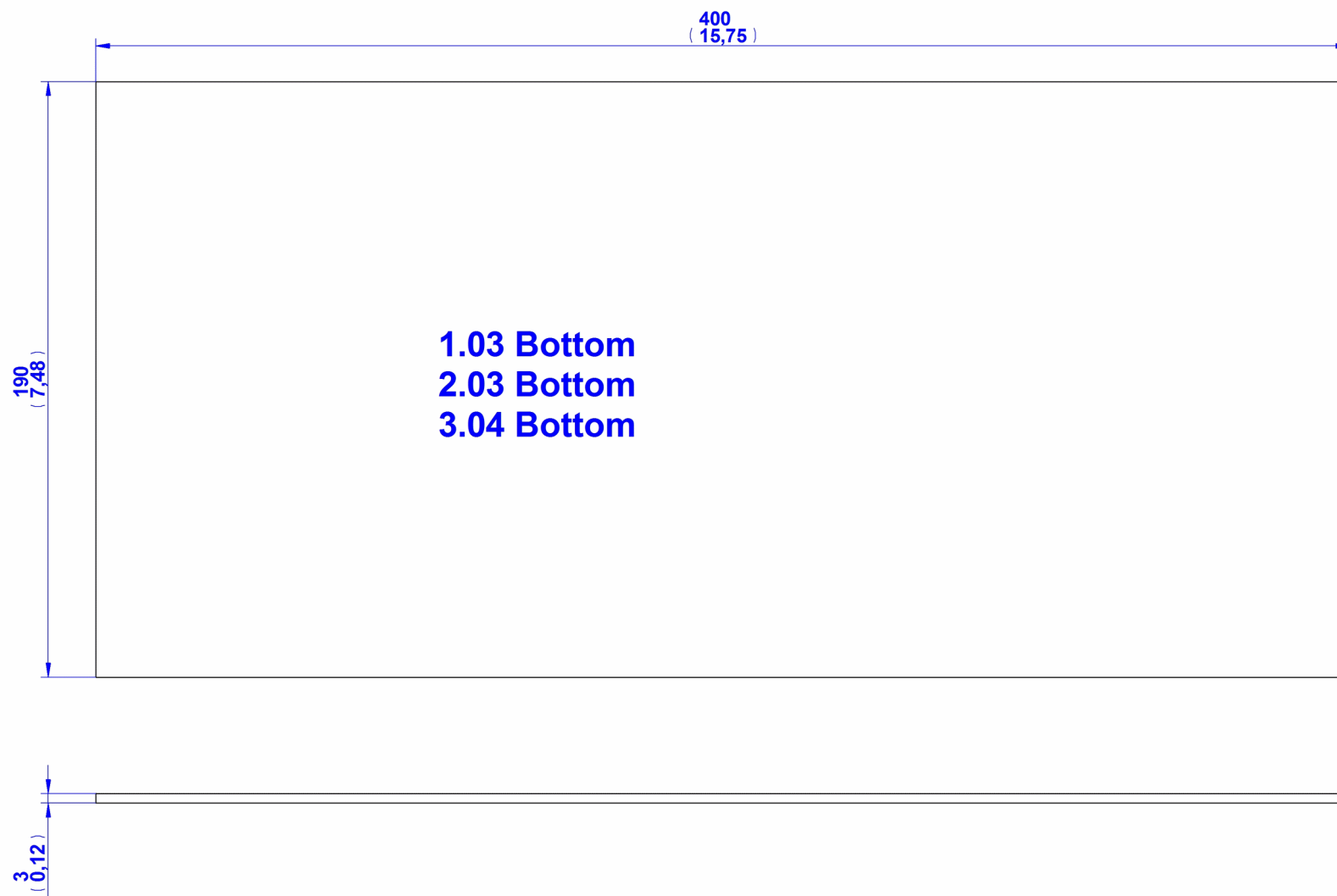


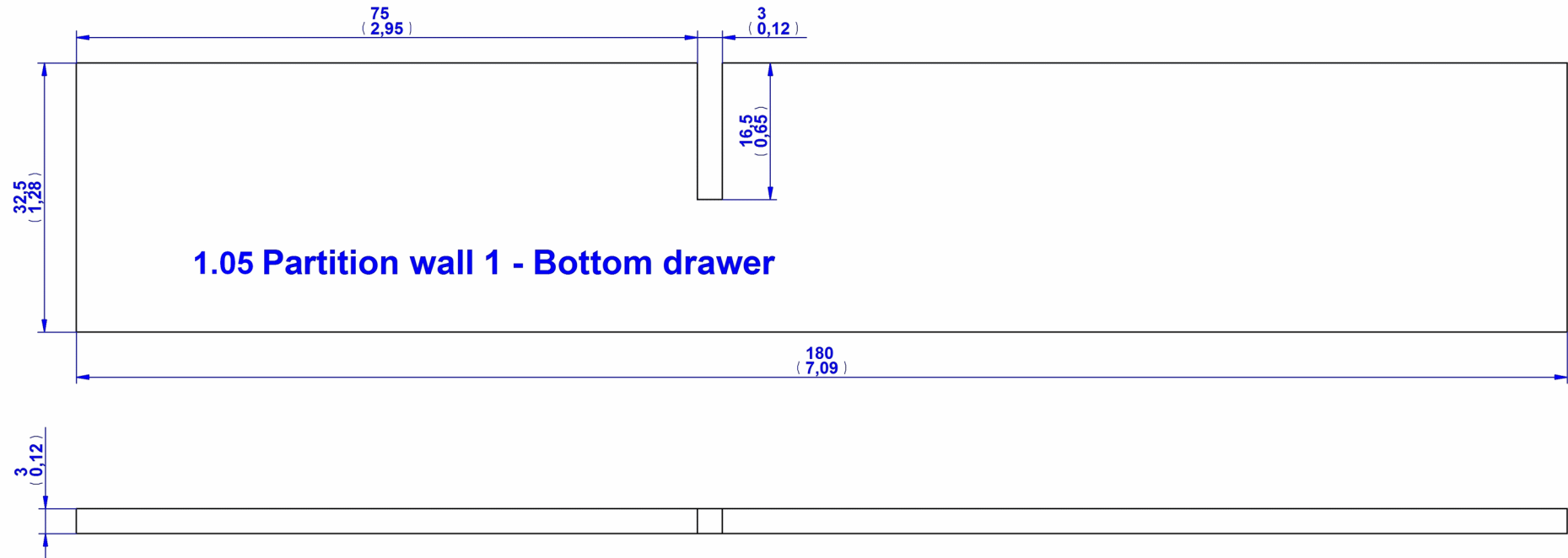


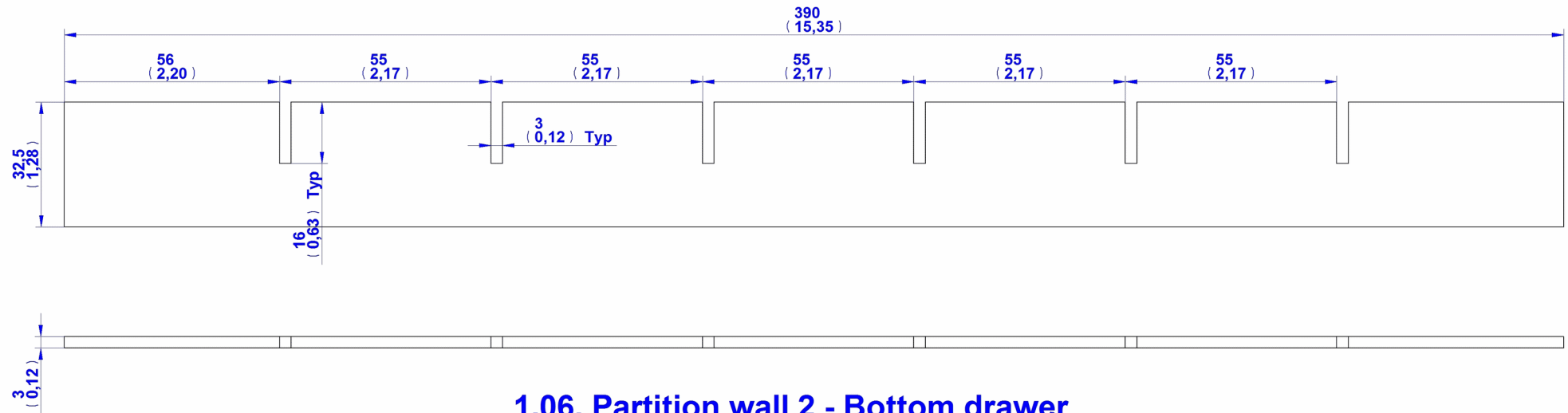


1.02 Drawer bottom side

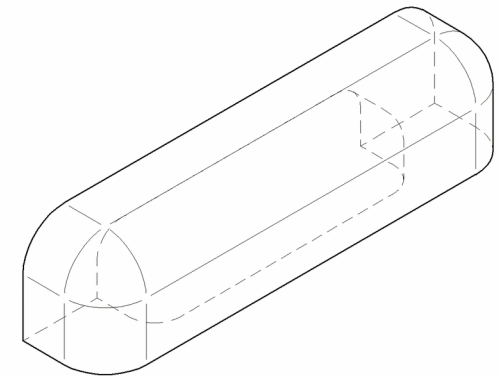
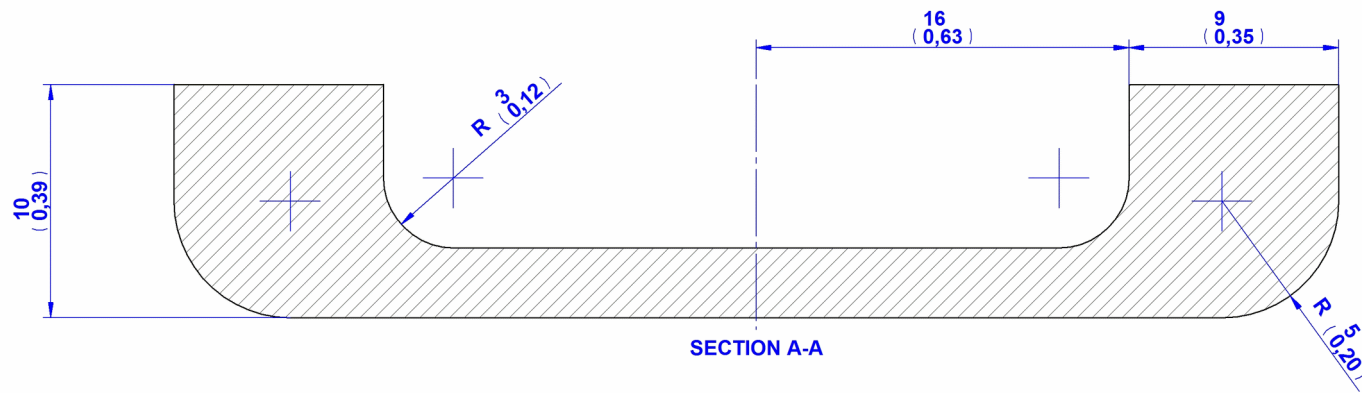
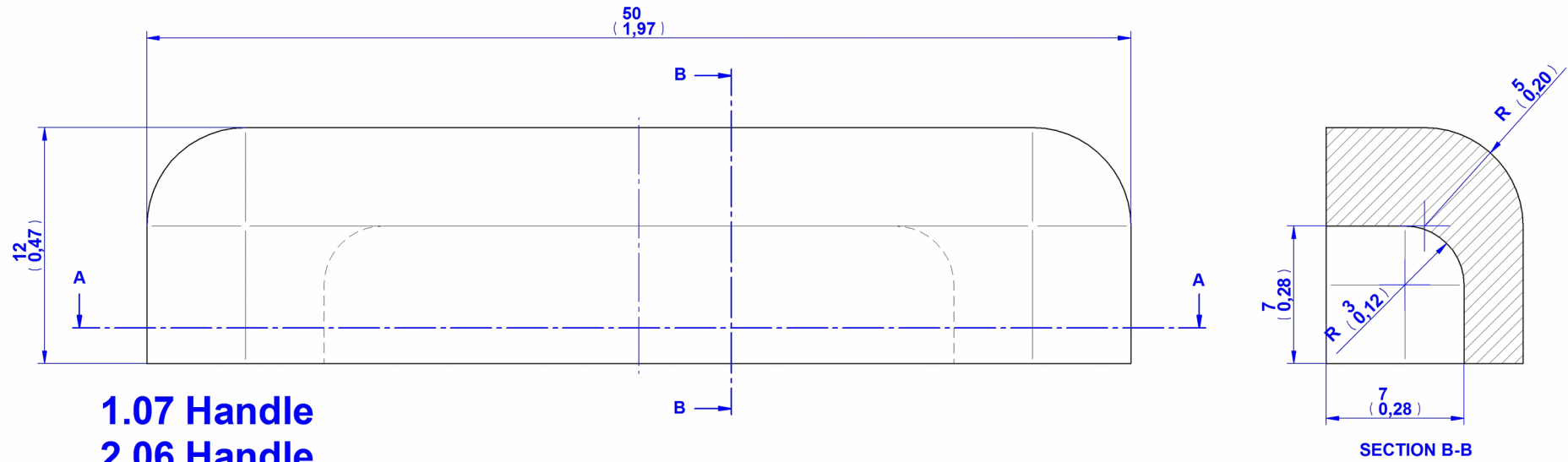


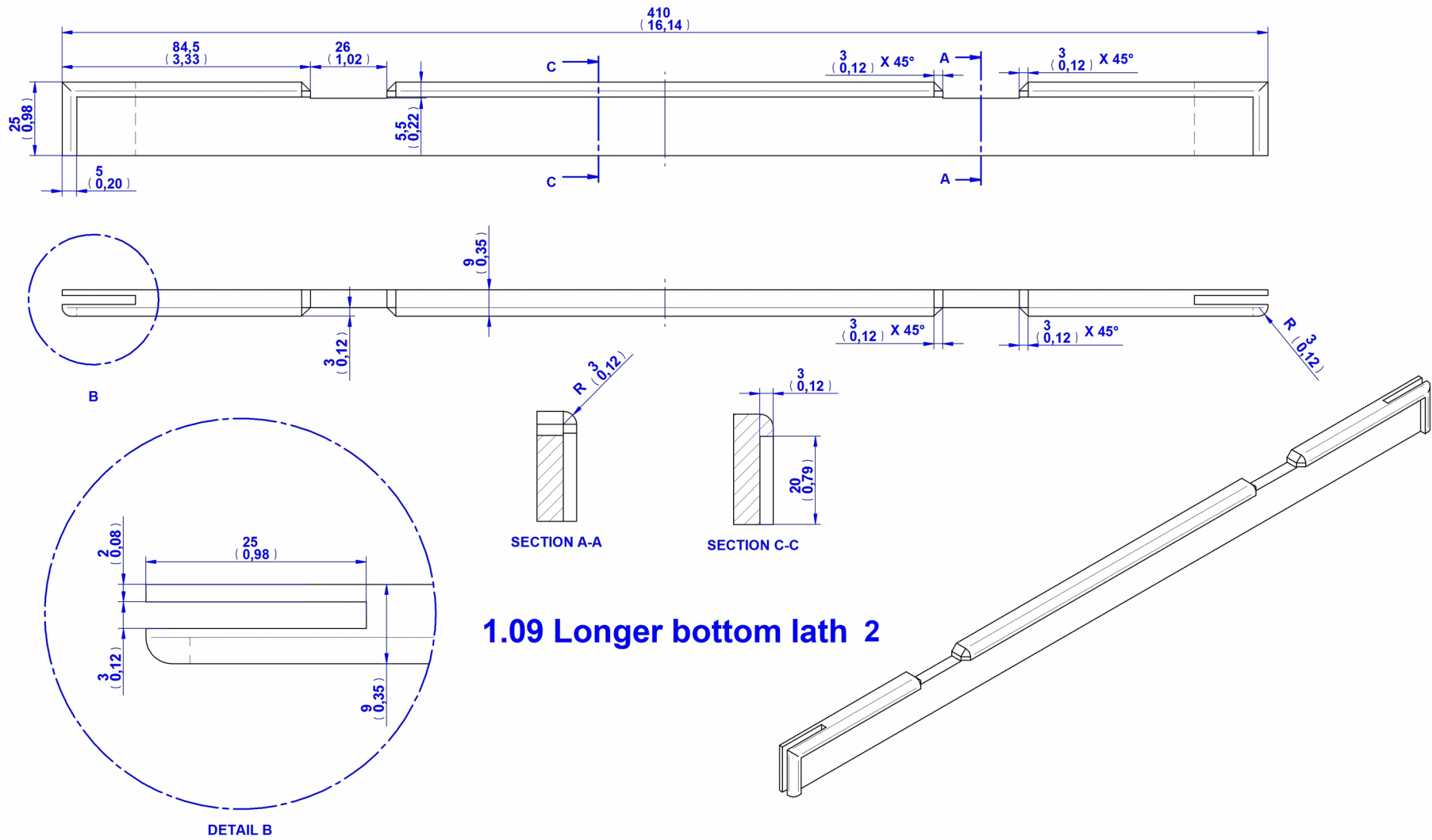




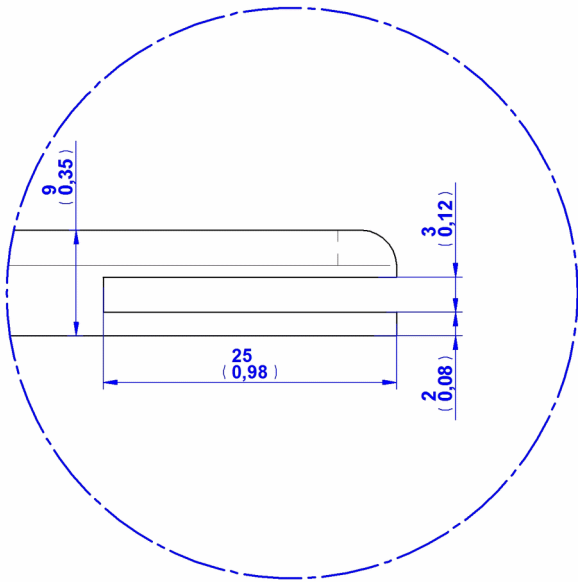
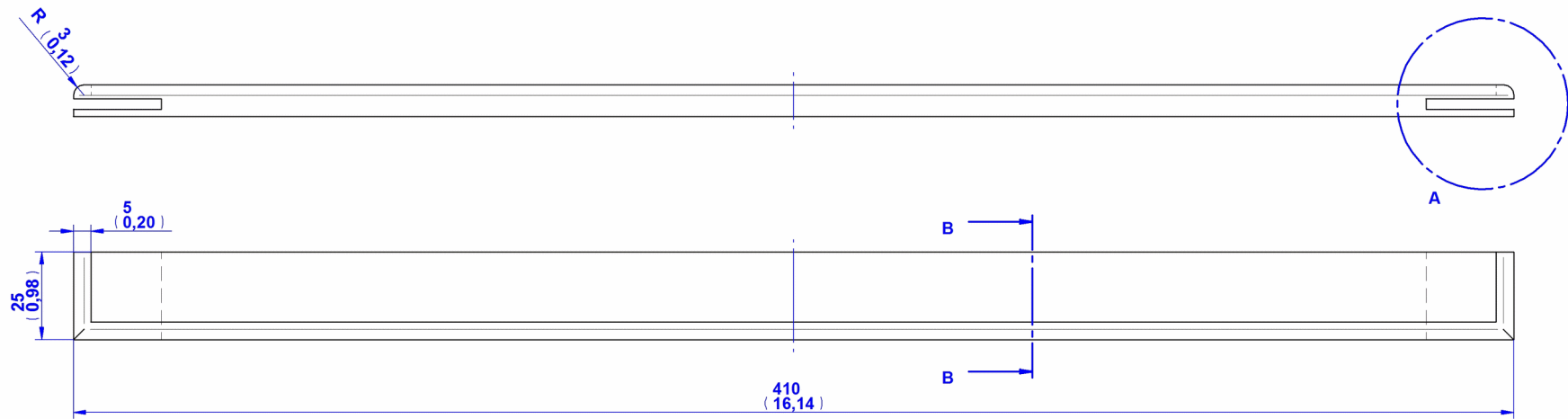


1.06. Partition wall 2 - Bottom drawer



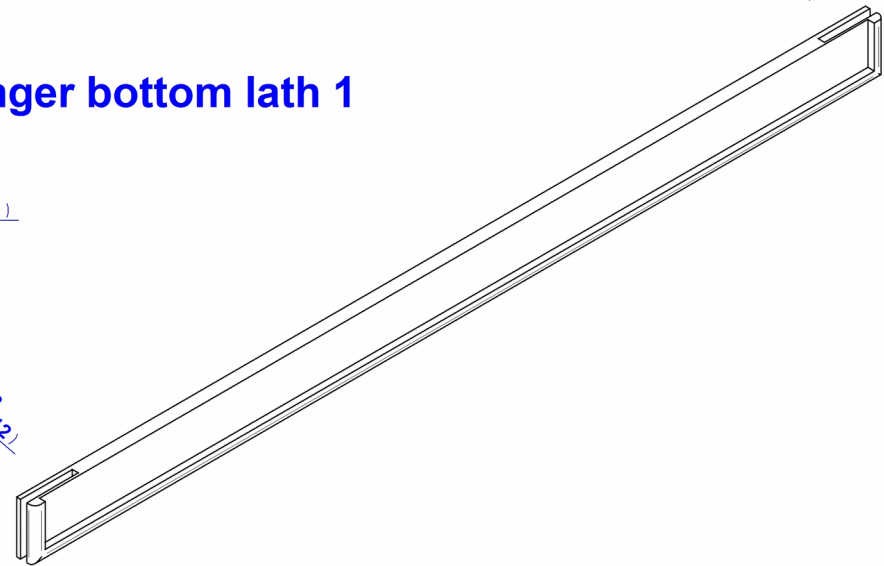
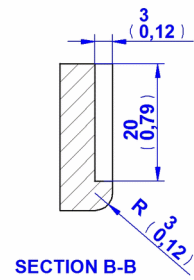


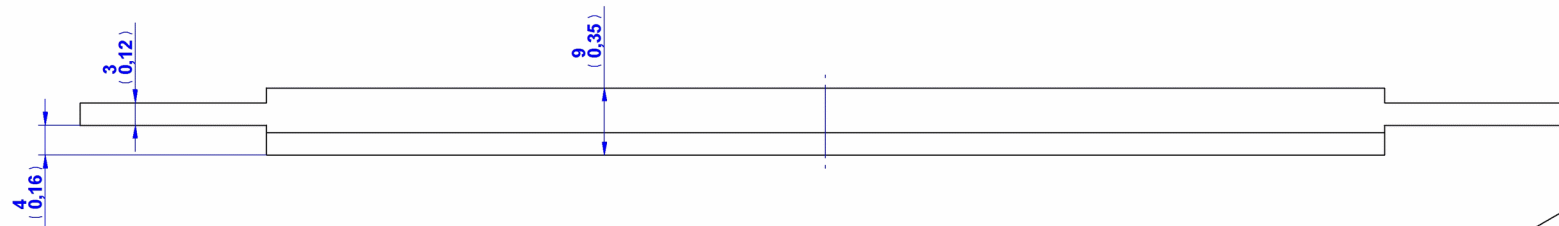
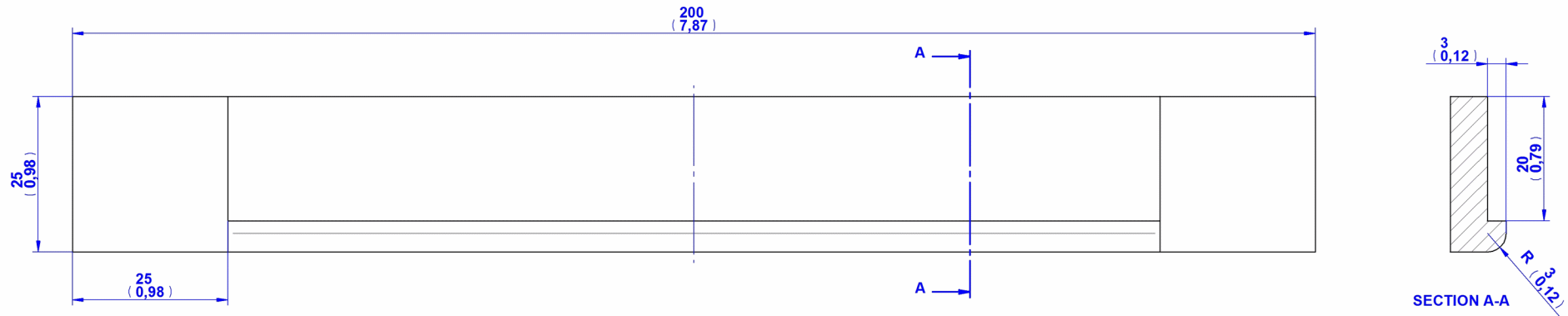
1.09 Longer bottom lath 2



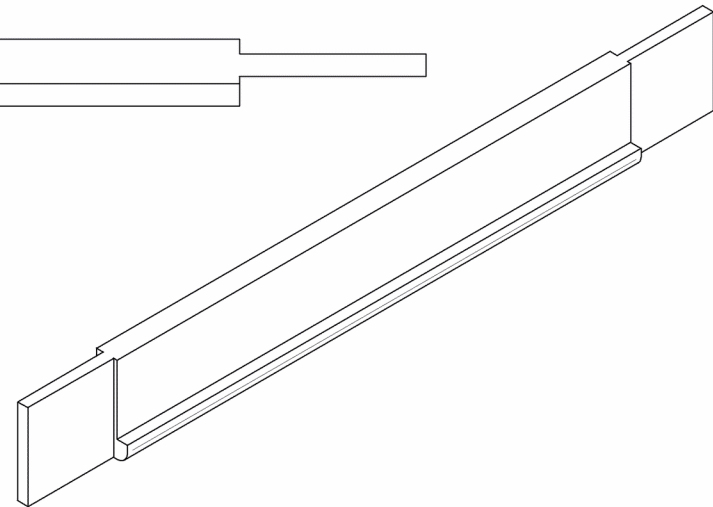
DETAIL A

1.10 Longer bottom lath 1

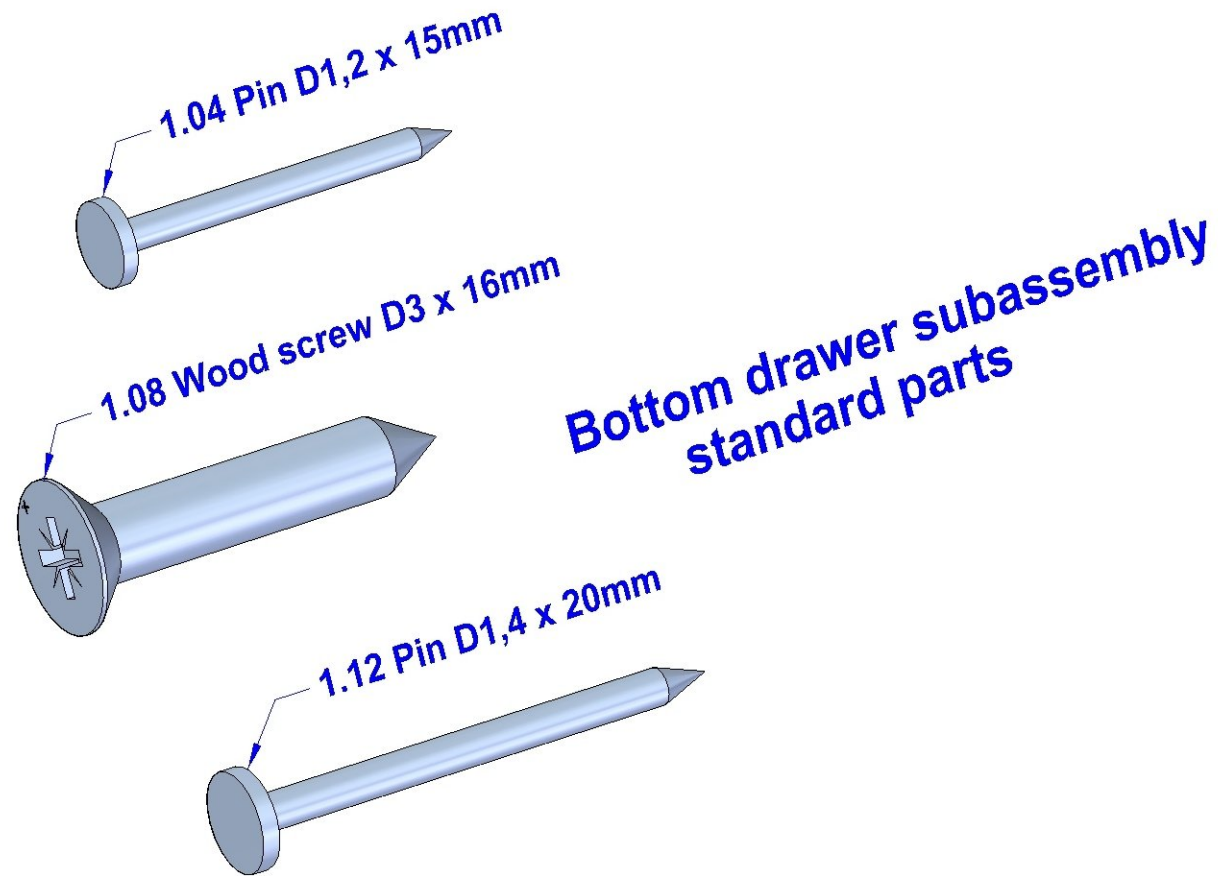




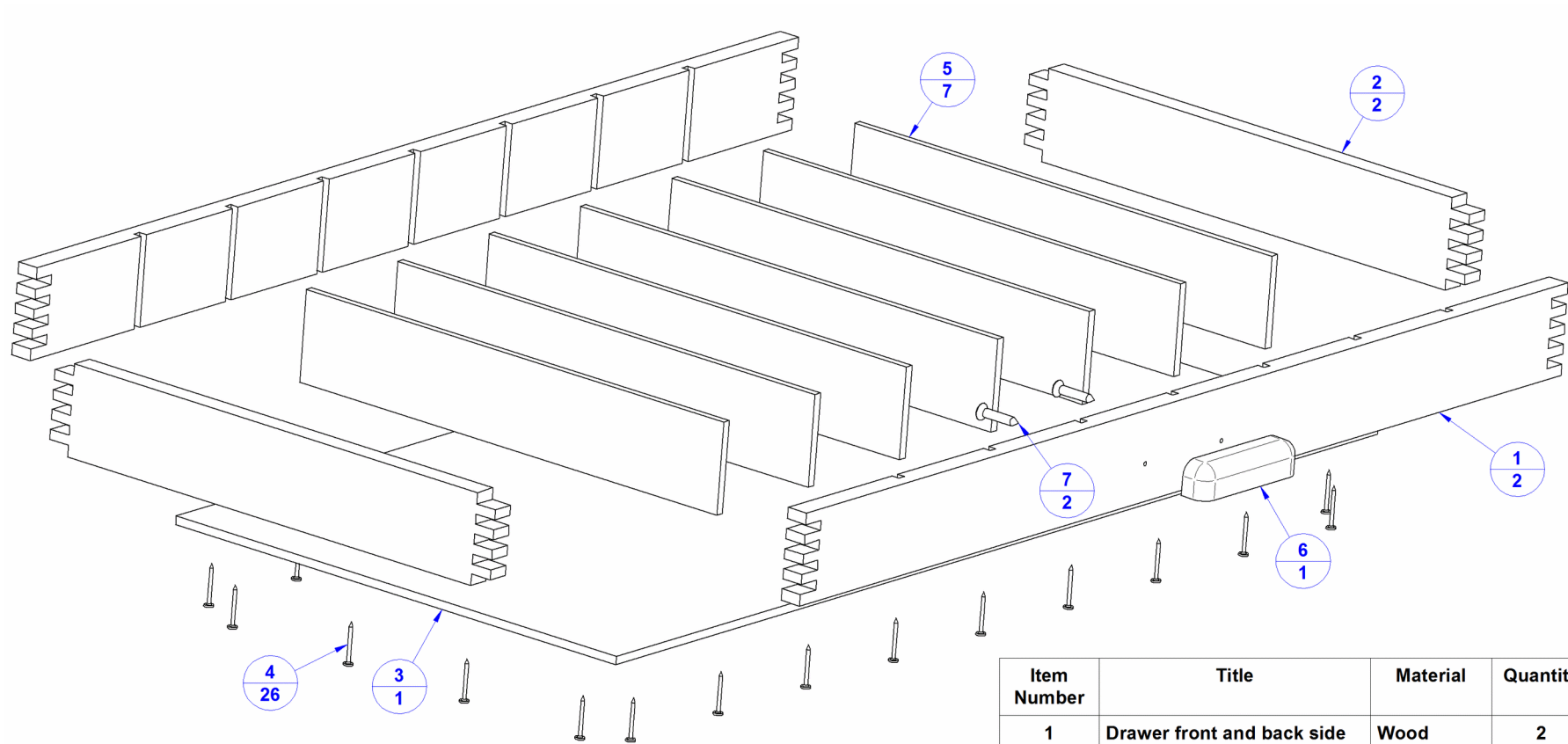
1.11 Shorter bottom lath



Bottom drawer subassembly standard parts

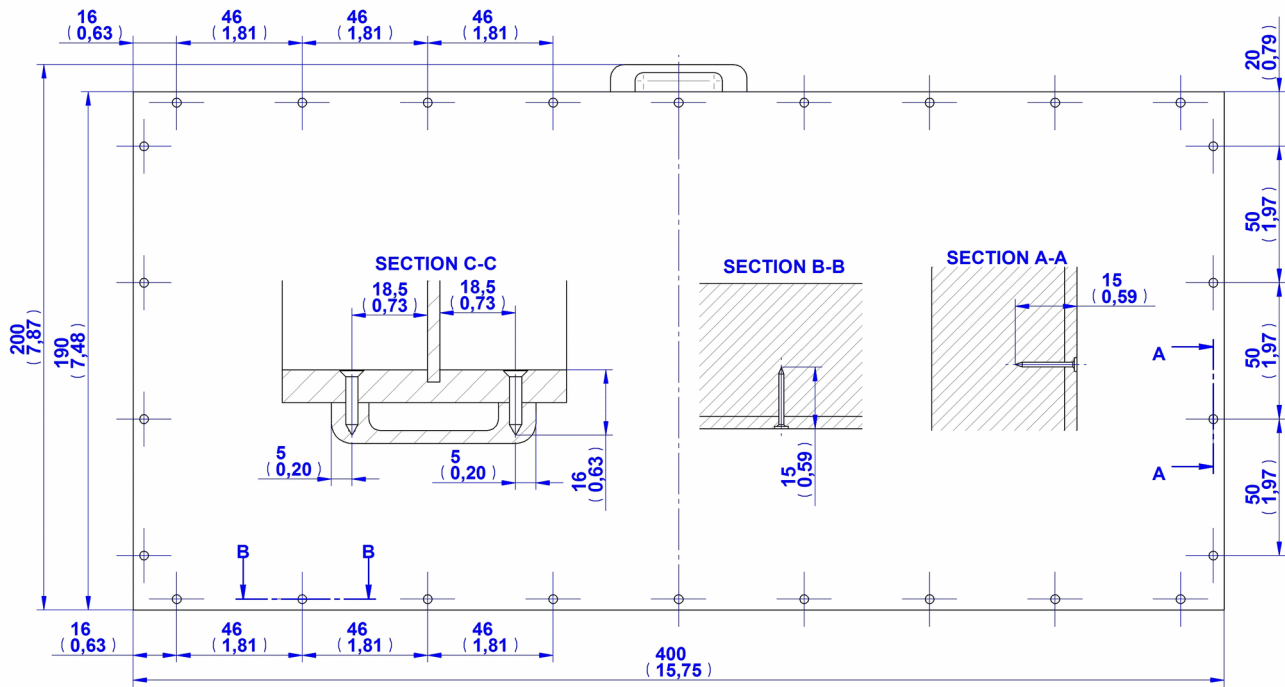


Middle and top drawer sub-assembly

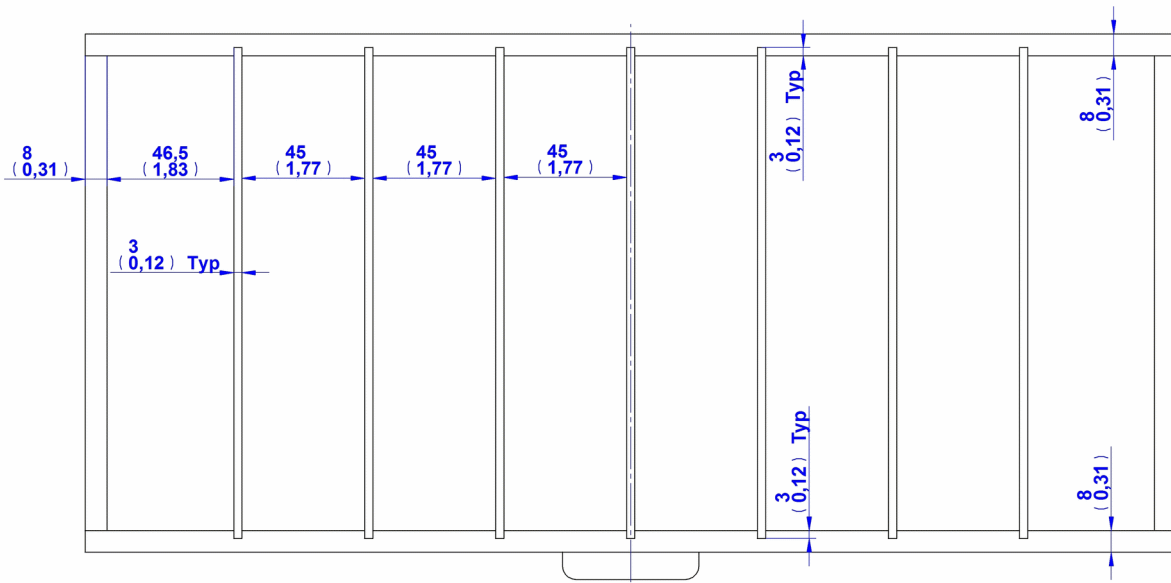
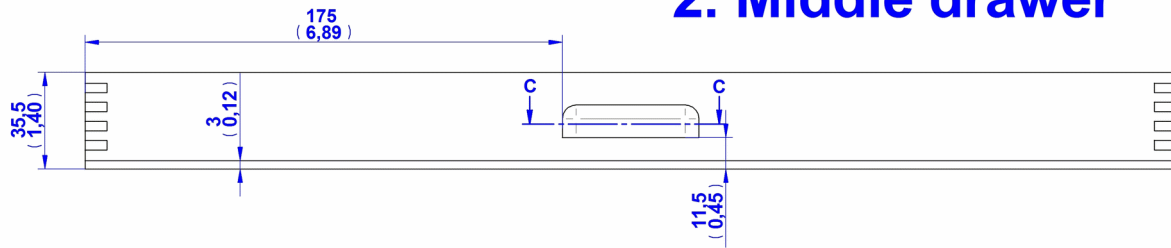


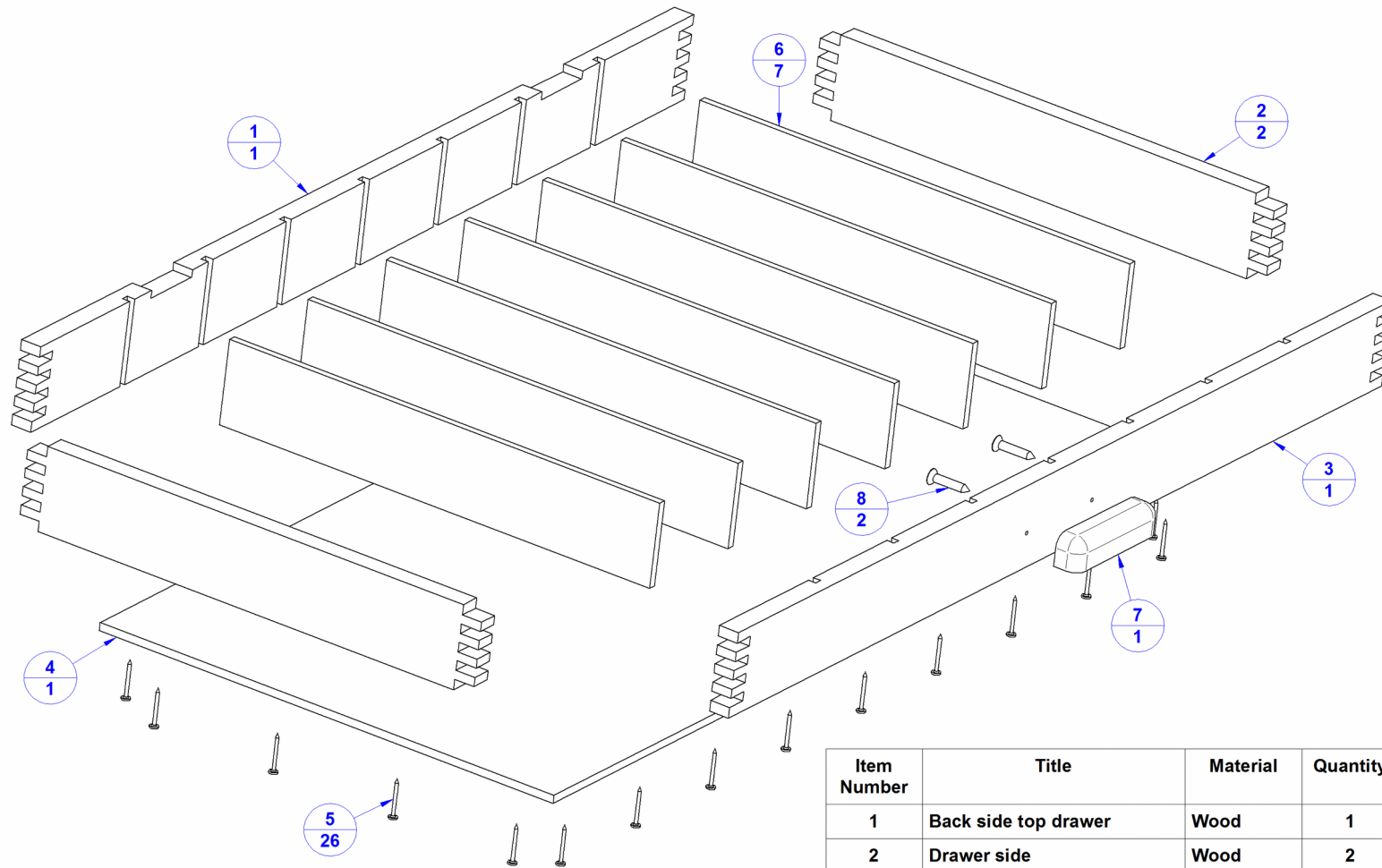
2. Middle drawer

Item Number	Title	Material	Quantity
1	Drawer front and back side	Wood	2
2	Drawer side	Wood	2
3	Bottom	Wood	1
4	Pin D1,2 x 15mm	Steel	26
5	Partition wall - Drawer	Wood	7
6	Handle	Wood	1
7	Wood screw D3 x 16mm	Steel	2



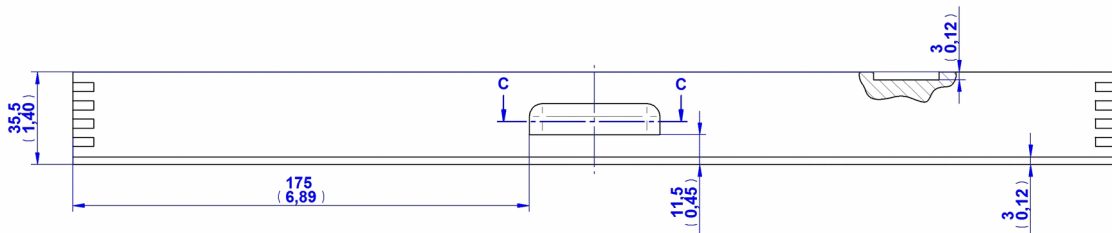
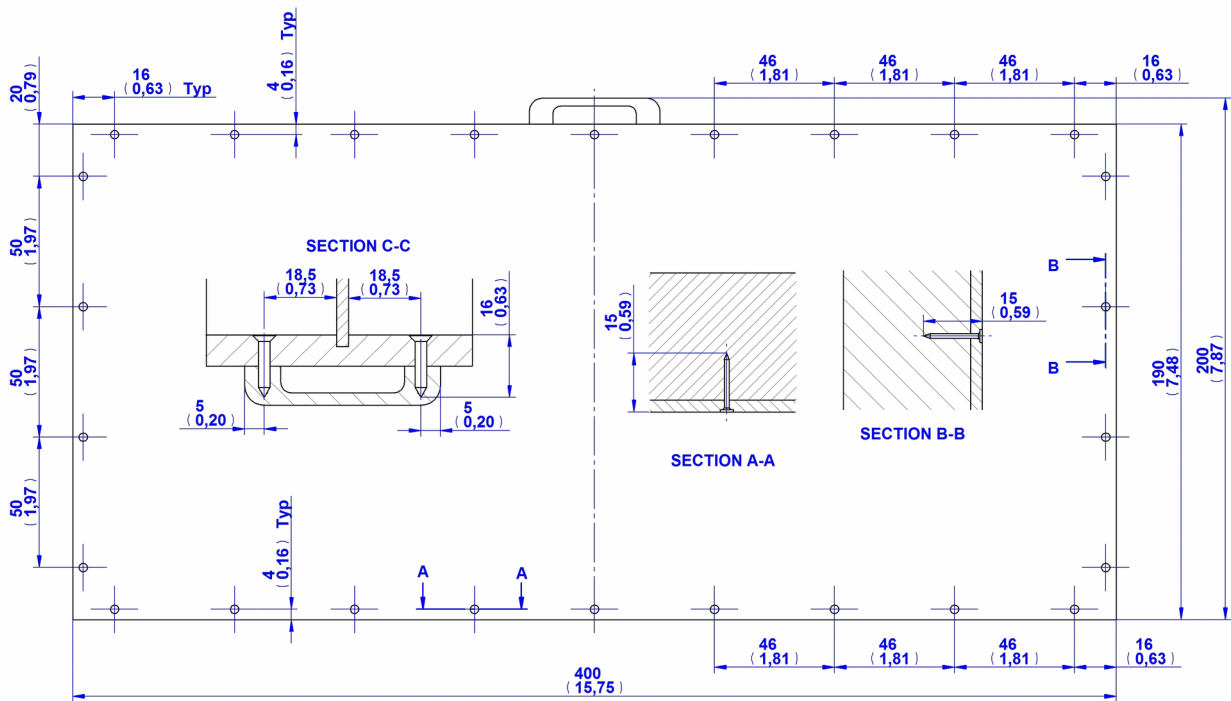
2. Middle drawer



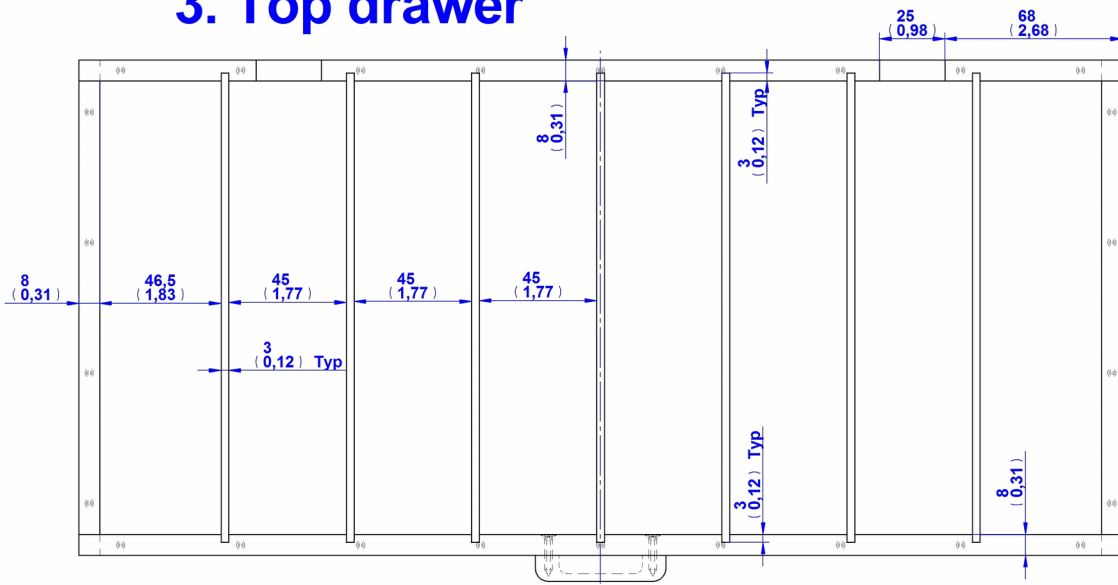


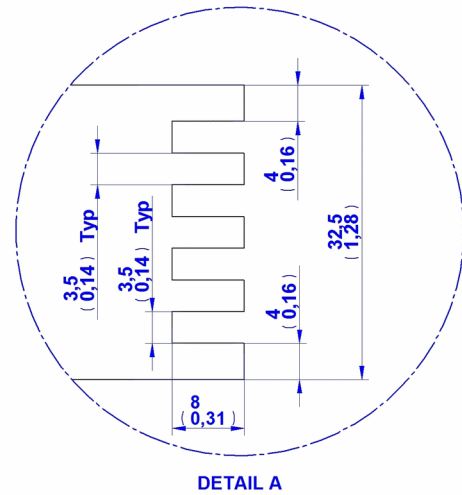
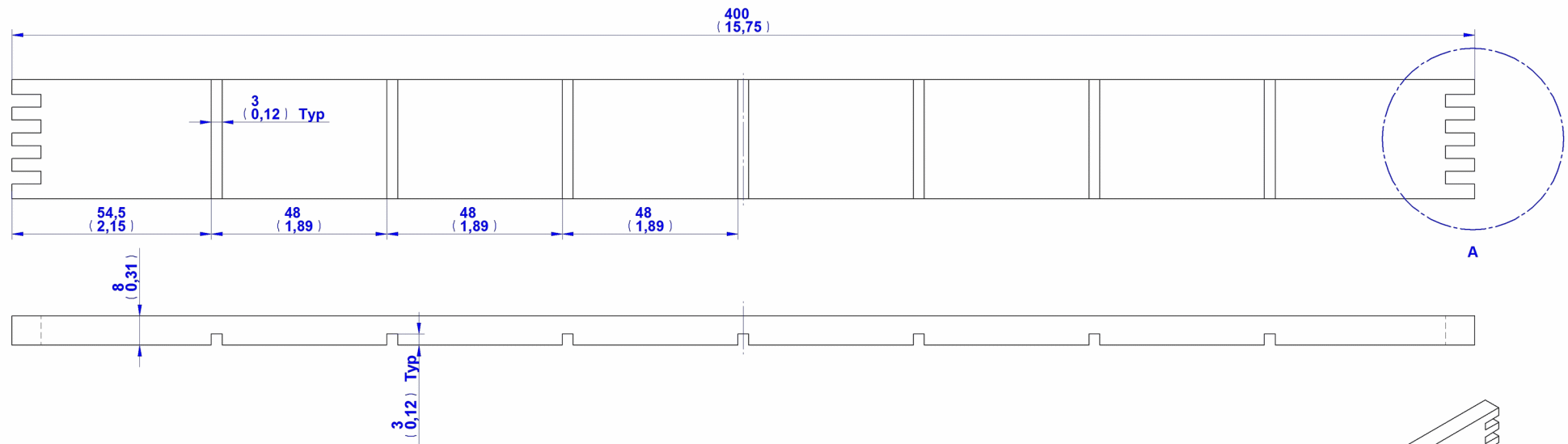
3. Top drawer

Item Number	Title	Material	Quantity
1	Back side top drawer	Wood	1
2	Drawer side	Wood	2
3	Drawer front and back side	Wood	1
4	Bottom	Wood	1
5	Pin D1,2 x 15mm	Steel	26
6	Partition wall - Drawer	Wood	7
7	Handle	Wood	1
8	Wood screw D3 x 16mm	Steel	2

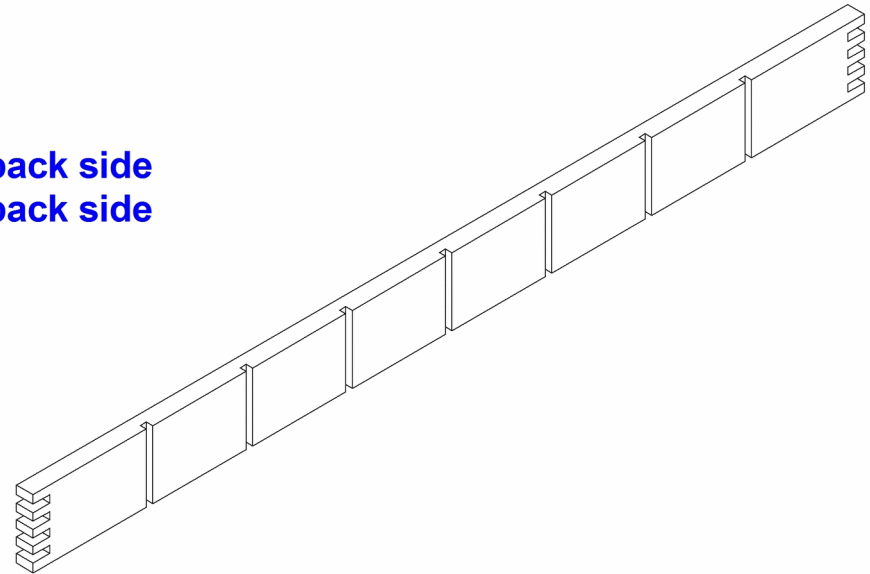


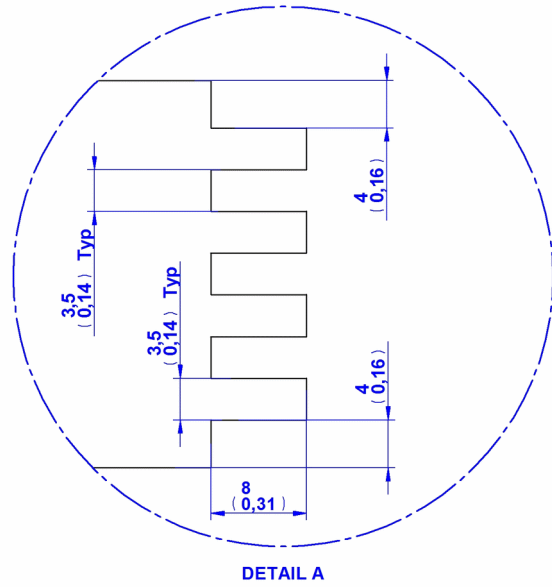
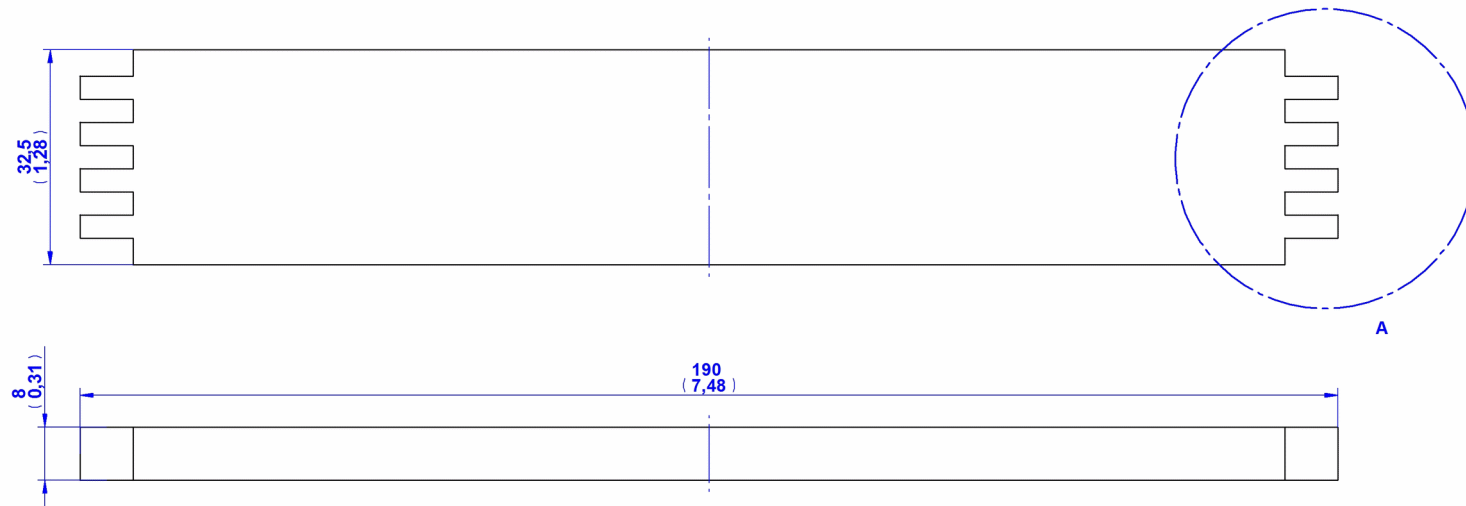
3. Top drawer



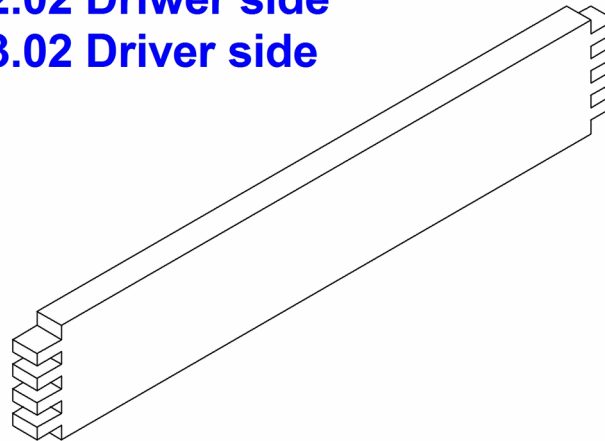


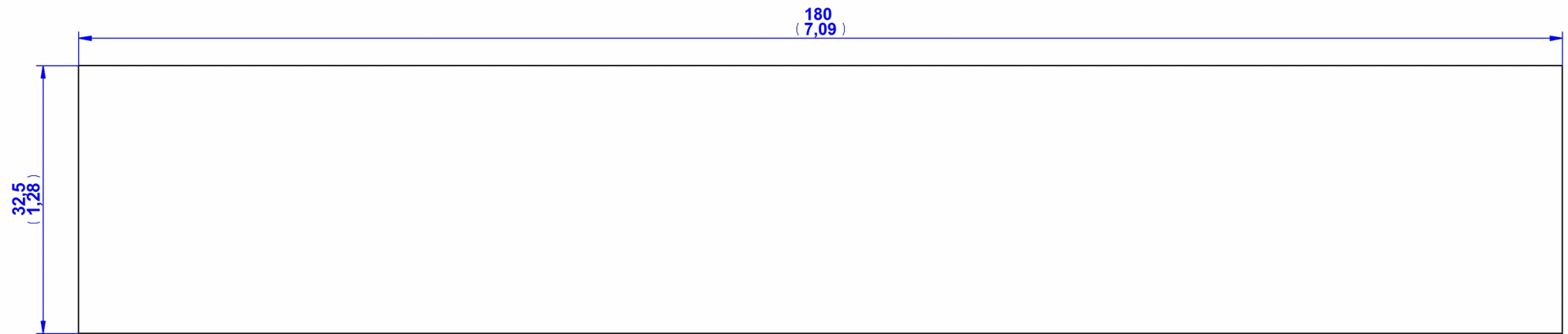
2.01 Drawer front and back side
3.03 Drawer front and back side



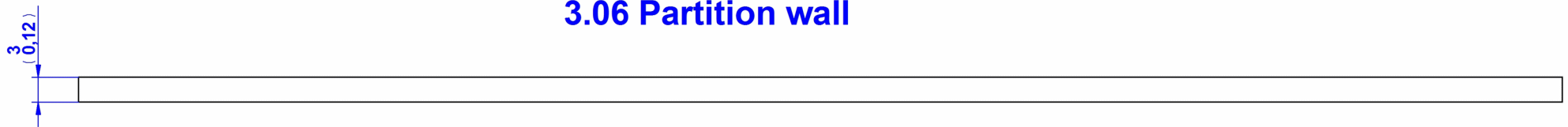


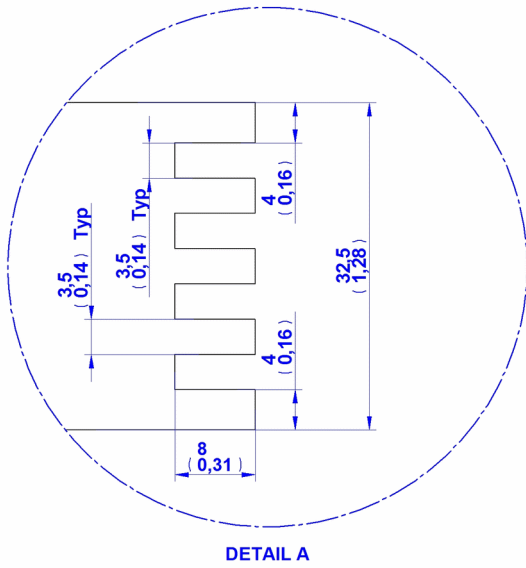
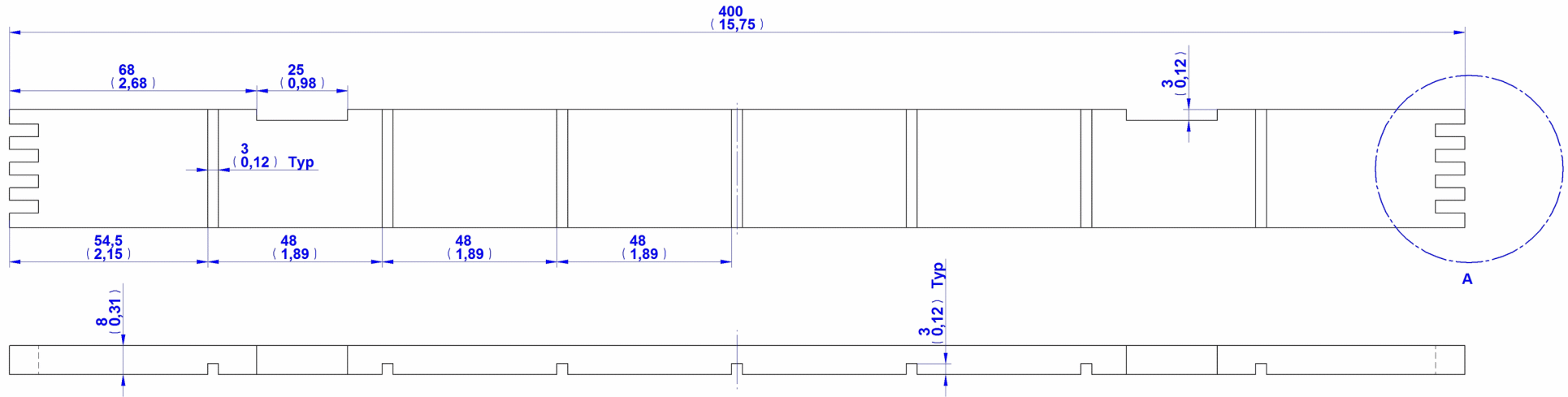
2.02 Driver side
3.02 Driver side



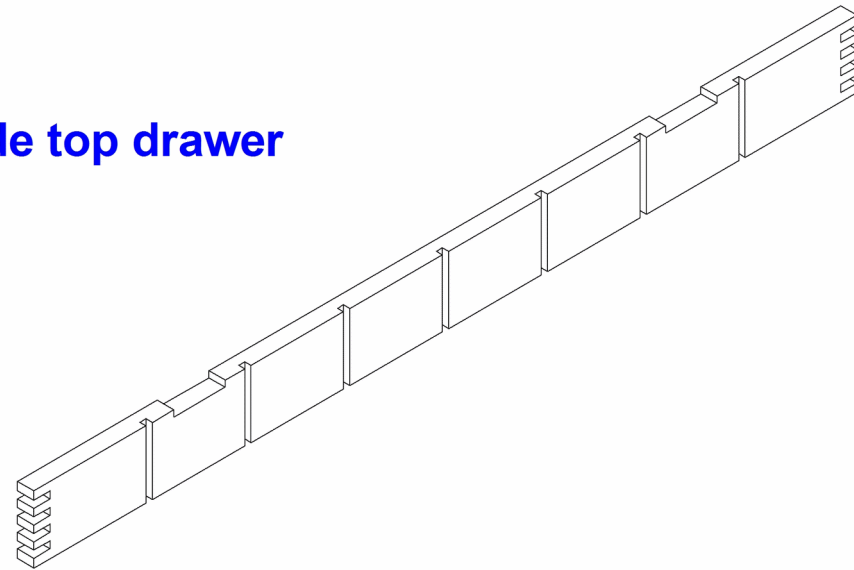


2.05 Partition wall
3.06 Partition wall

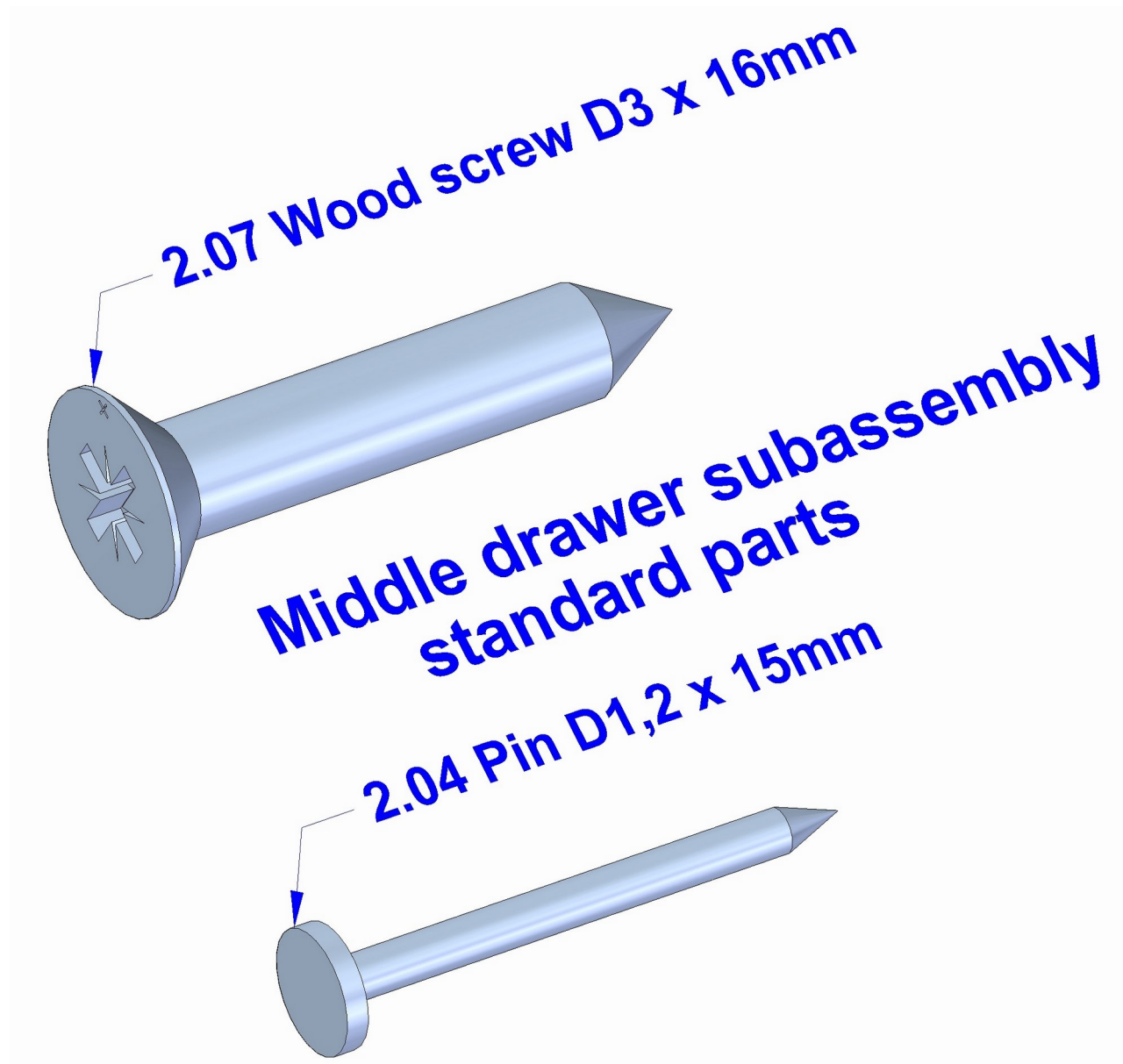




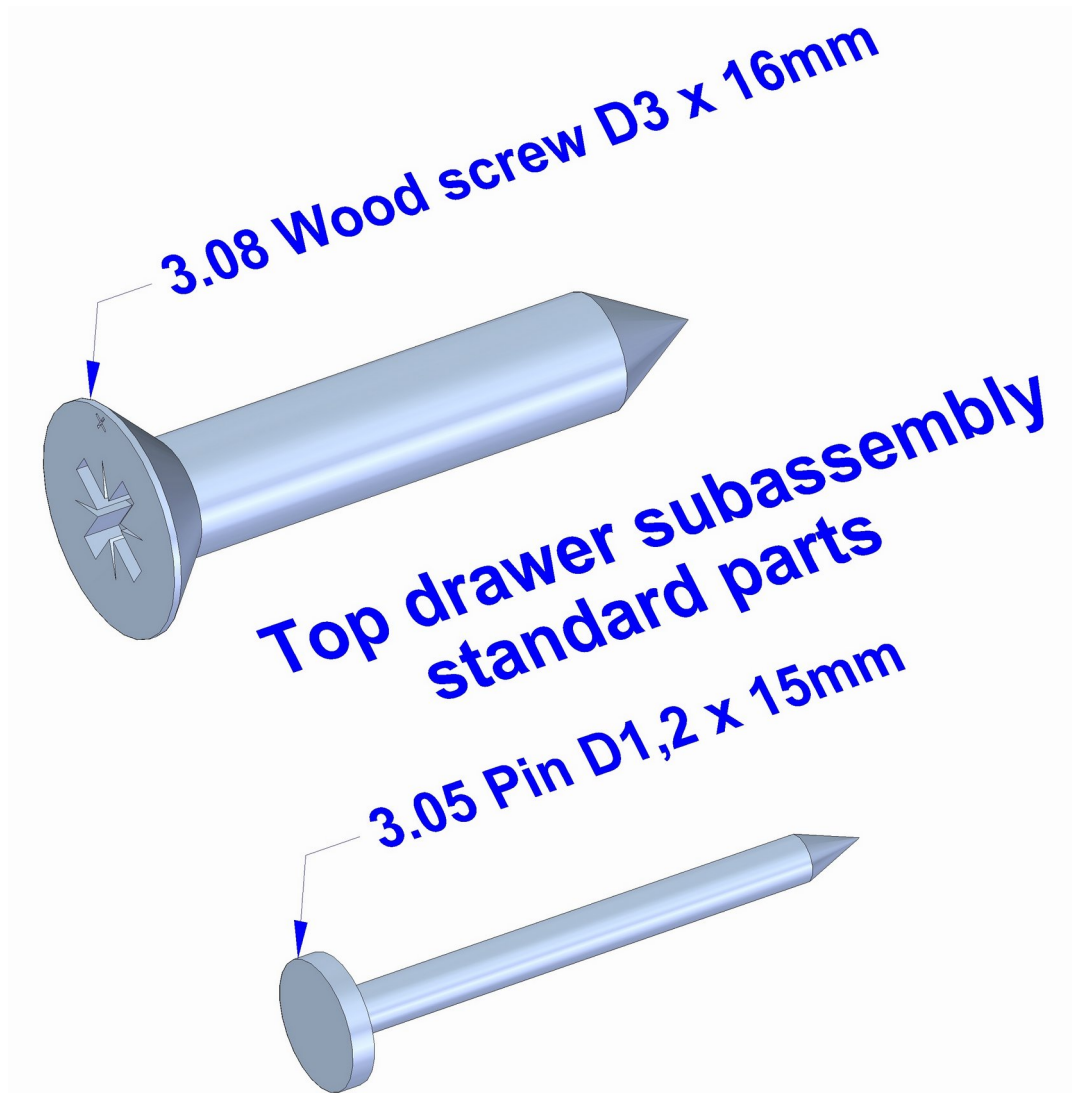
3.01 Back side top drawer



Middle drawer sub-assembly standard parts

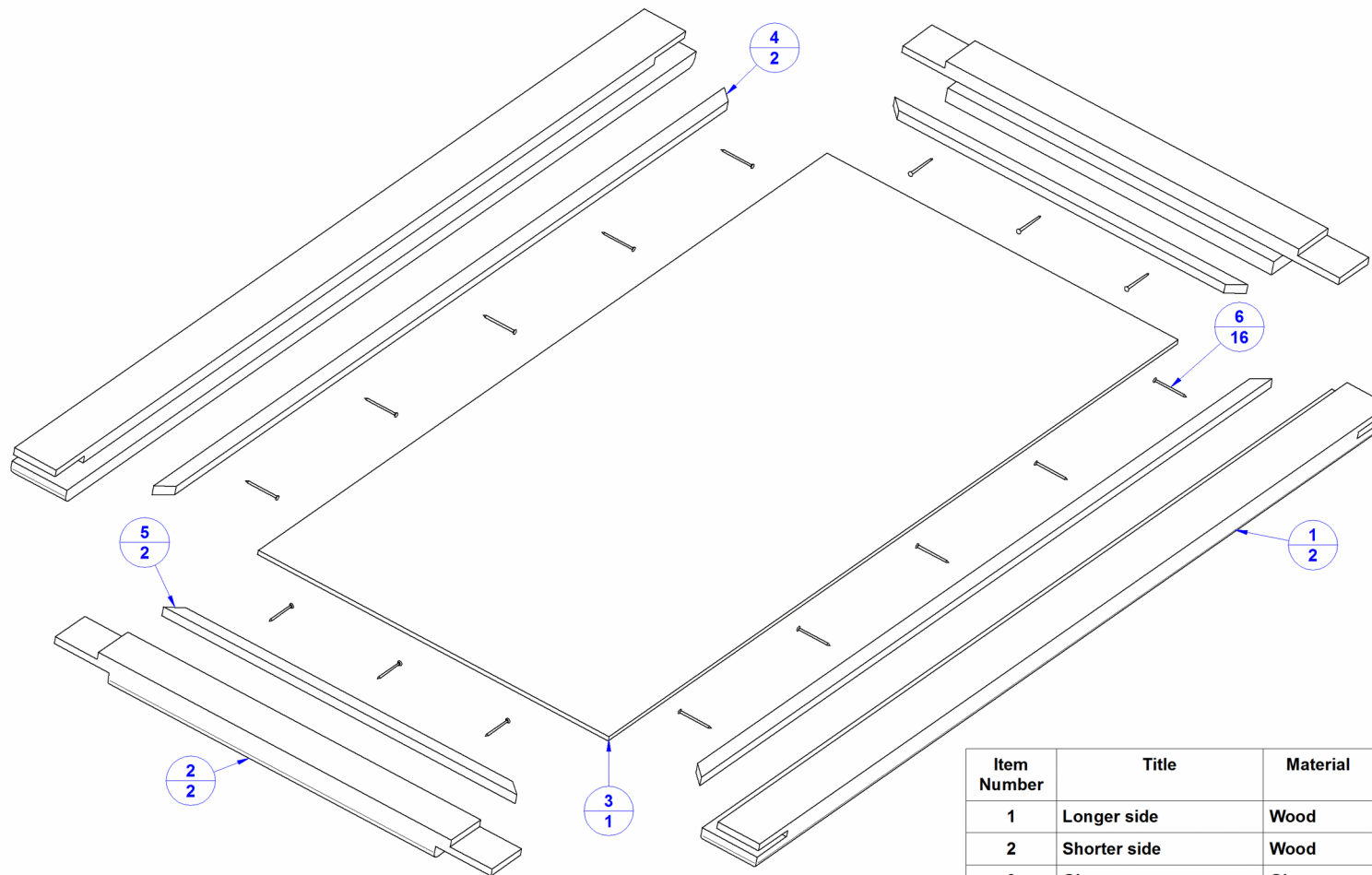


Top drawer sub-assembly standard parts



5. Cover sub-assembly

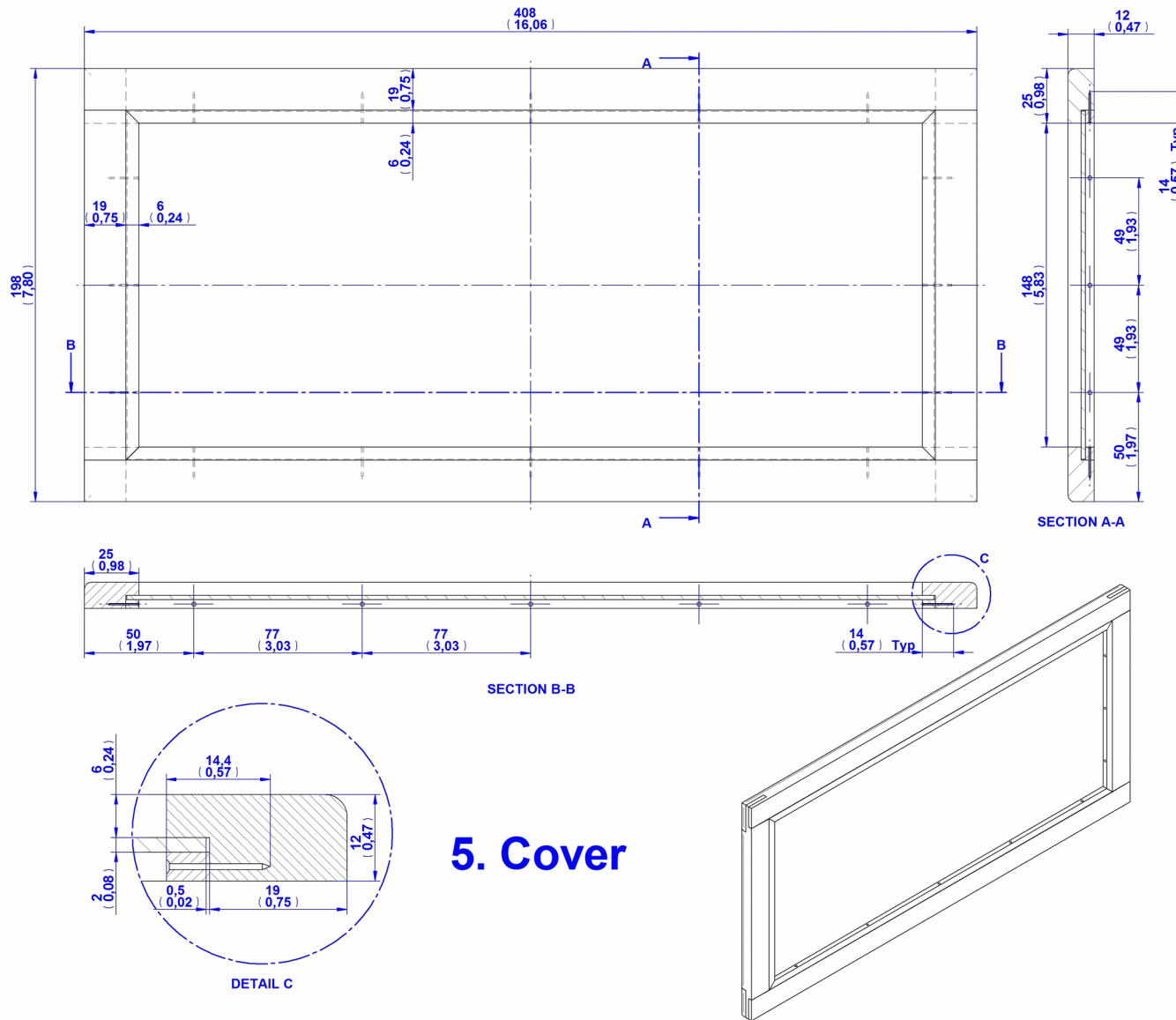
Cover sub-assembly parts list

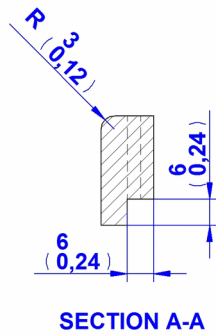
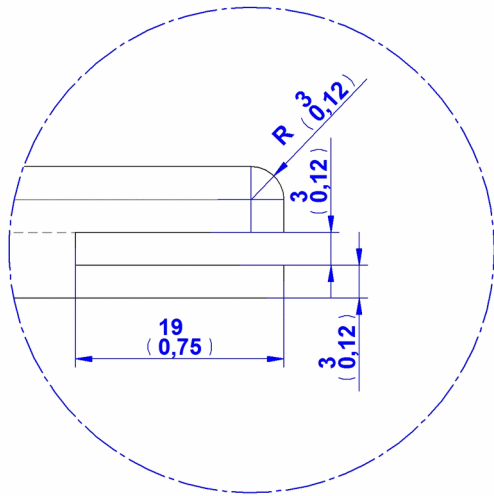
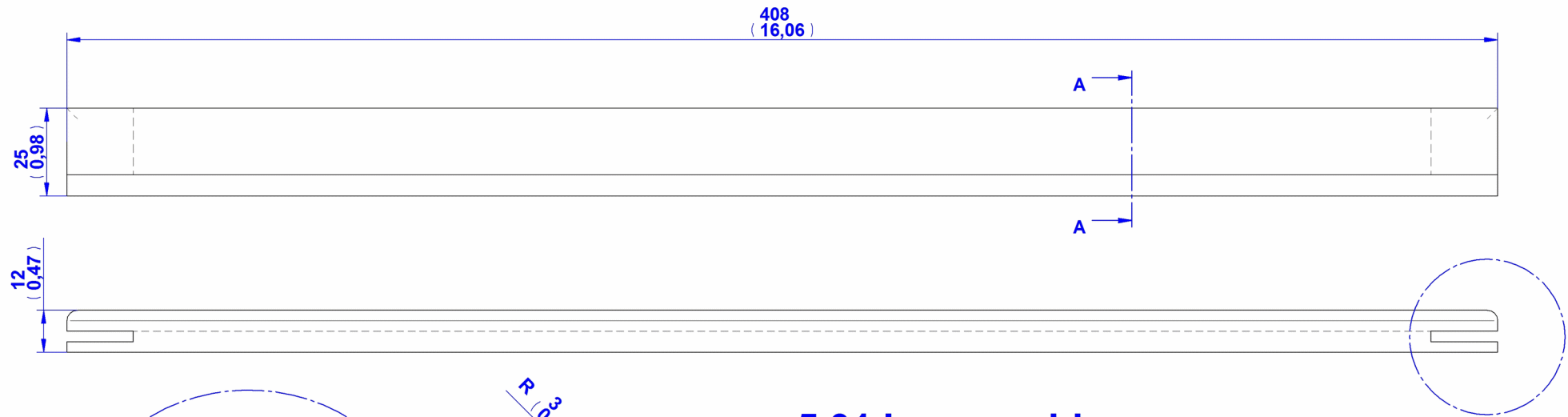


5. Cover

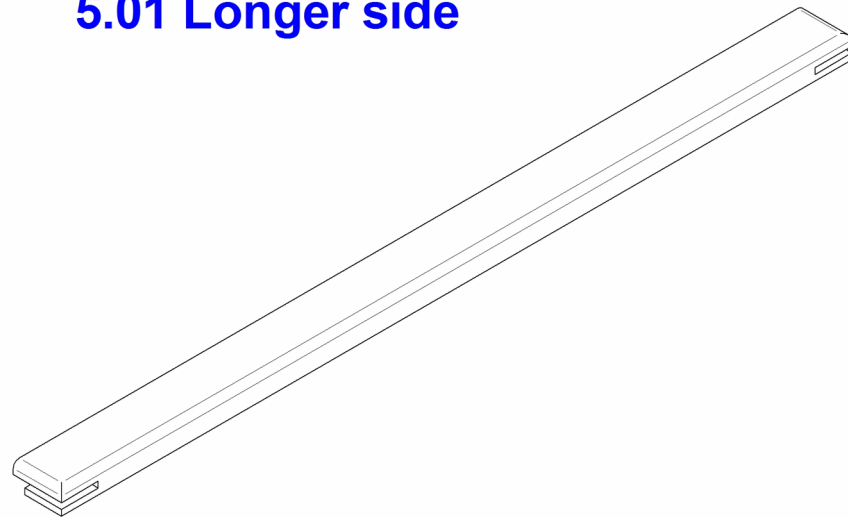
Item Number	Title	Material	Quantity
1	Longer side	Wood	2
2	Shorter side	Wood	2
3	Glass	Glass	1
4	Longer glass holder	Wood	2
5	Shorter glass holder	Wood	2
6	Pin D0,8 x 14mm	Steel	16

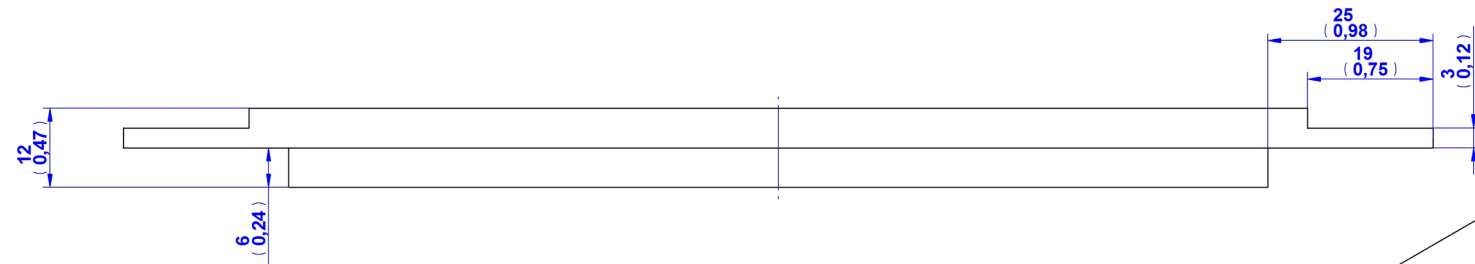
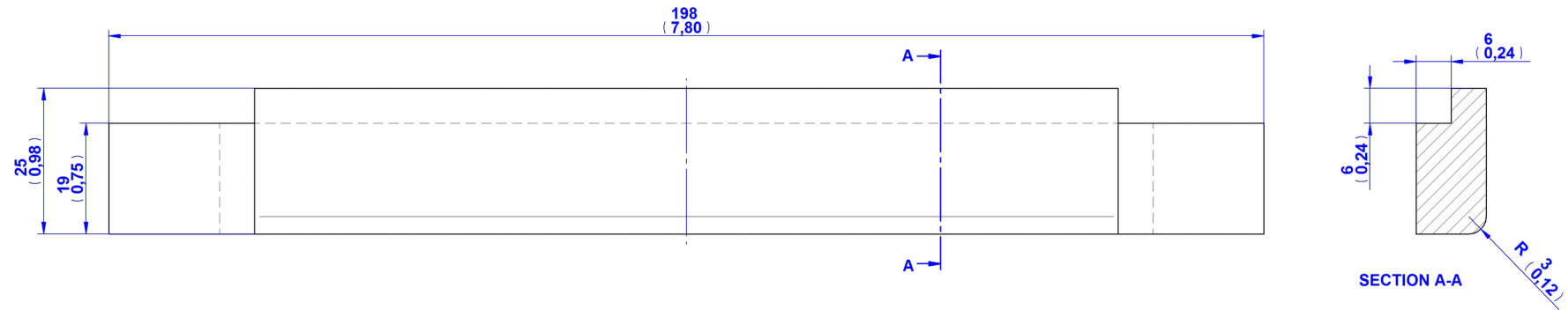
Cover subassembly 2D drawings



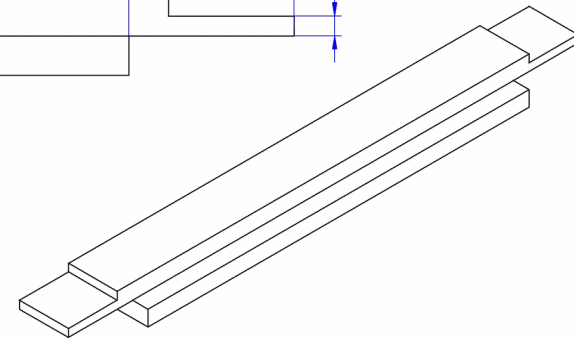


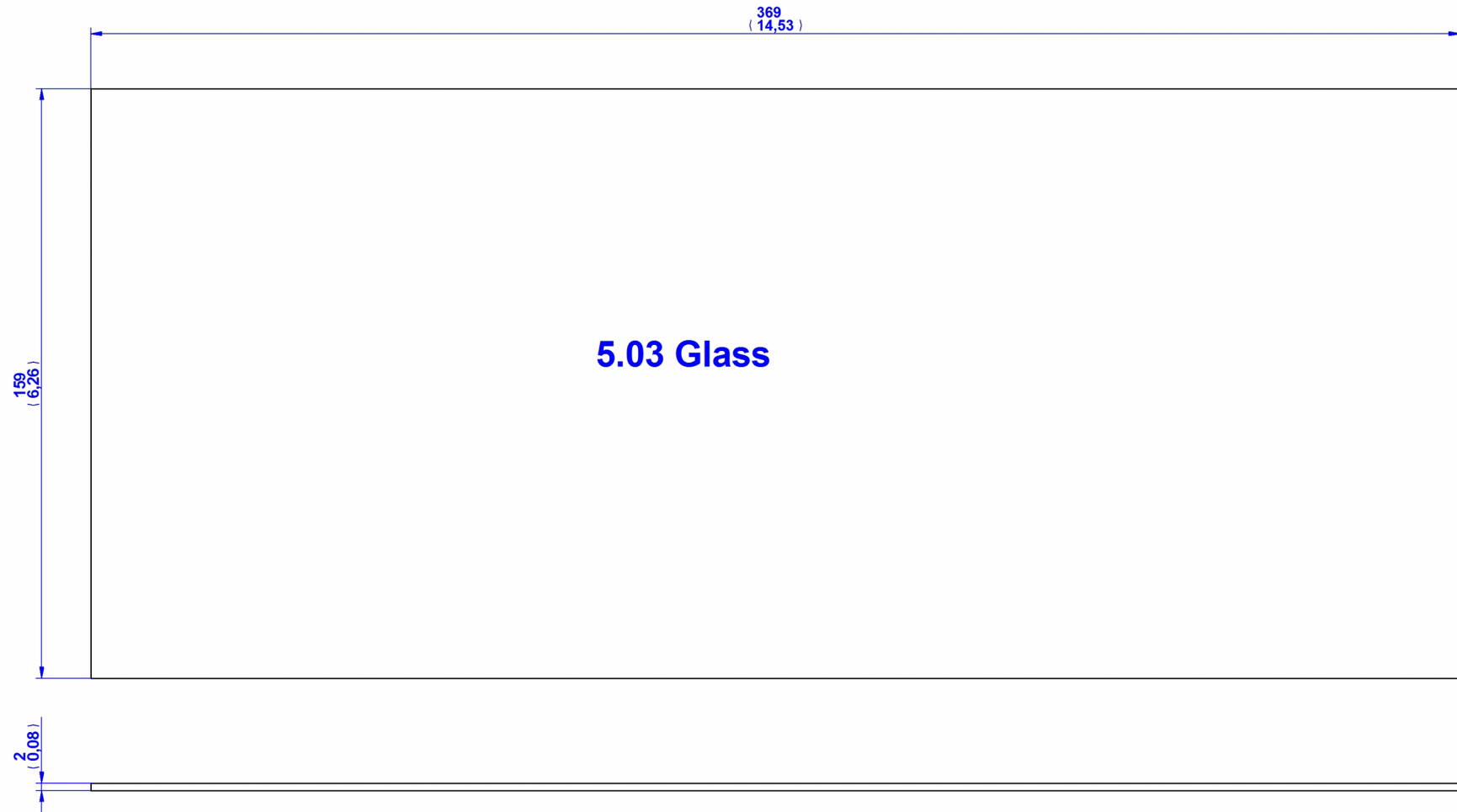
5.01 Longer side

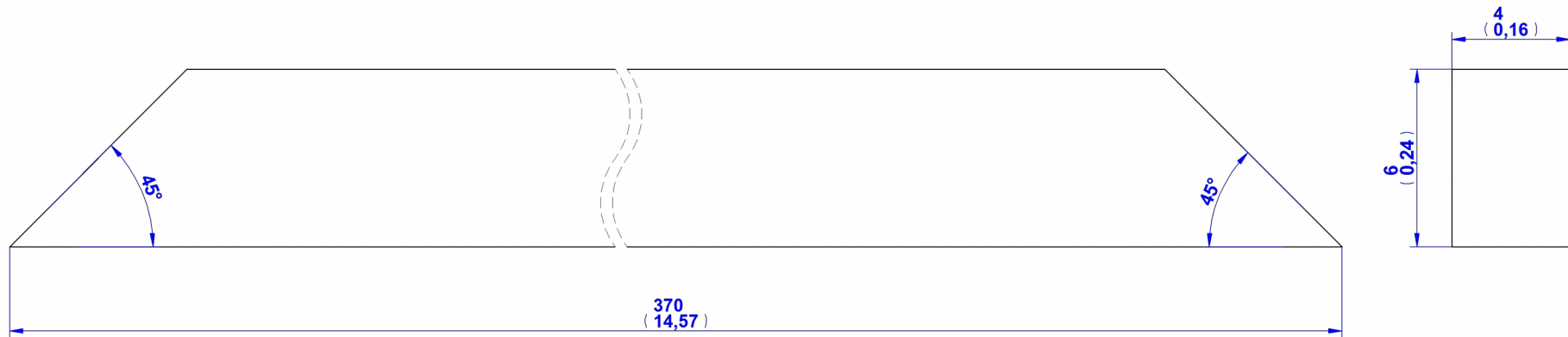




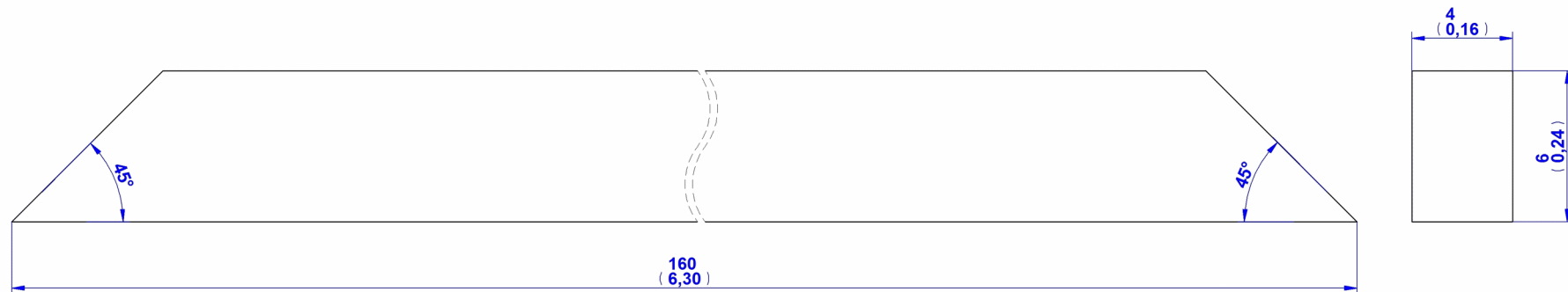
5.02 Shorter side







5.04 Longer glass holder



5.05 Shorter glass holder

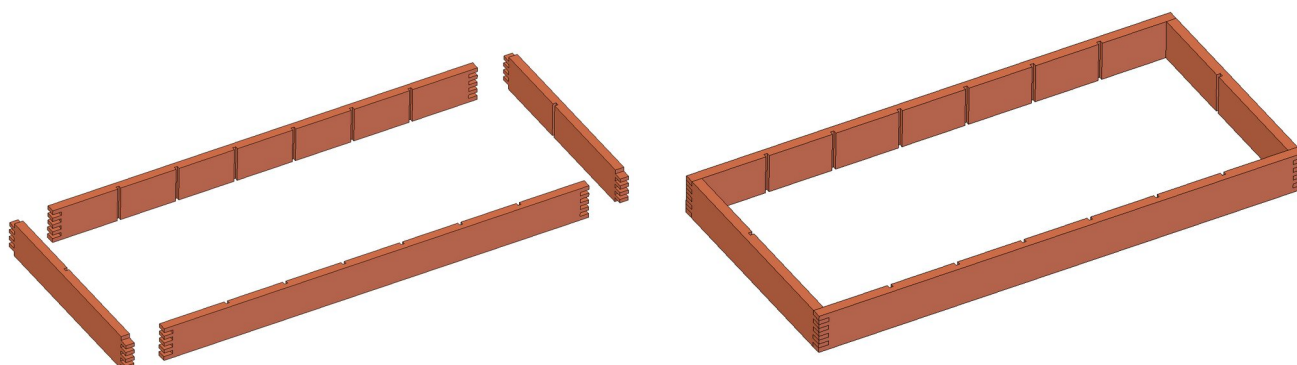
Cover subassembly standard parts



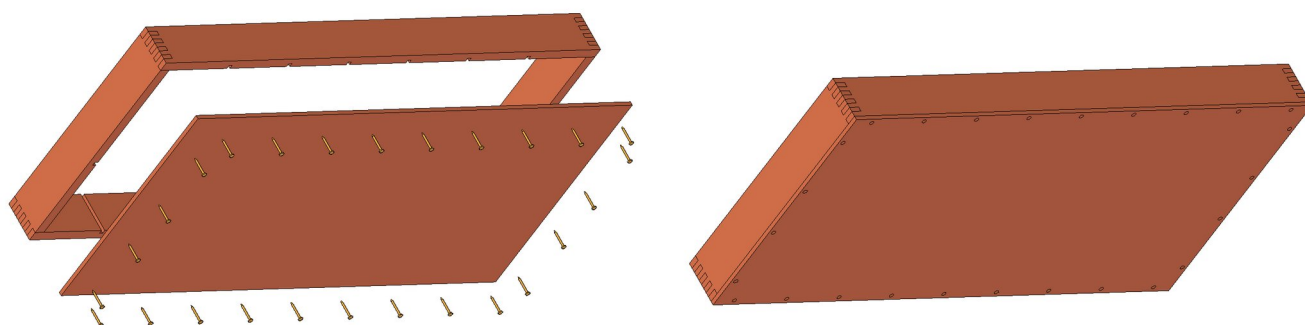
Assemblage images

Bottom drawer

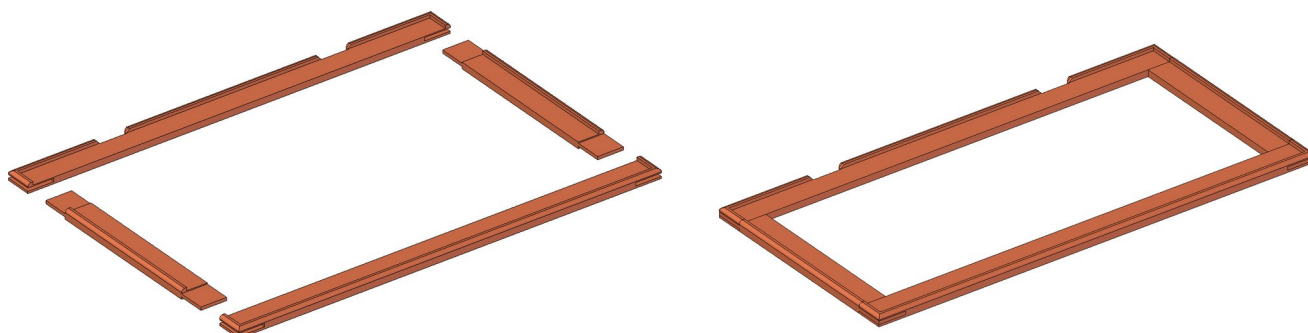
1.



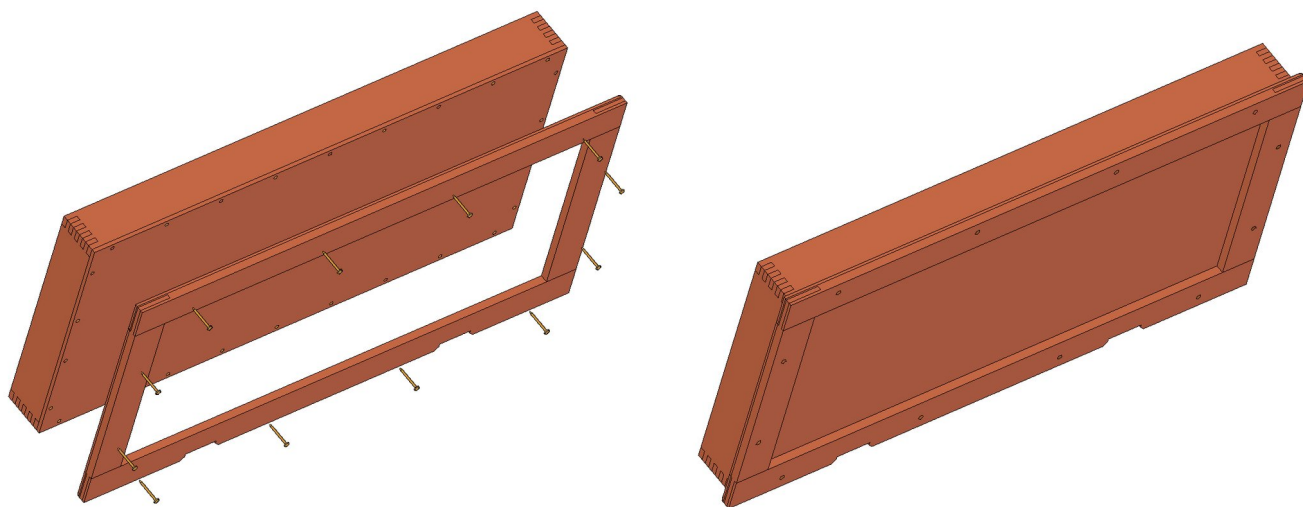
2.



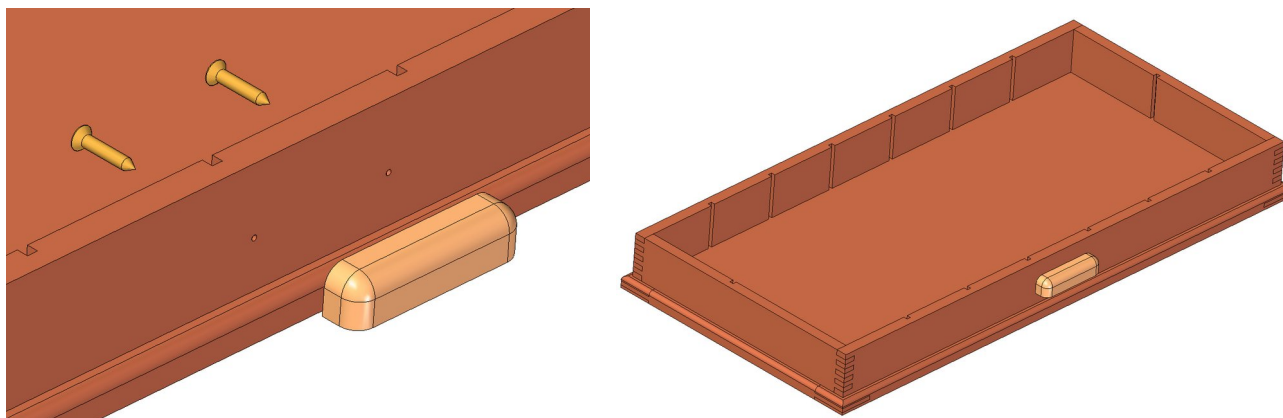
3.



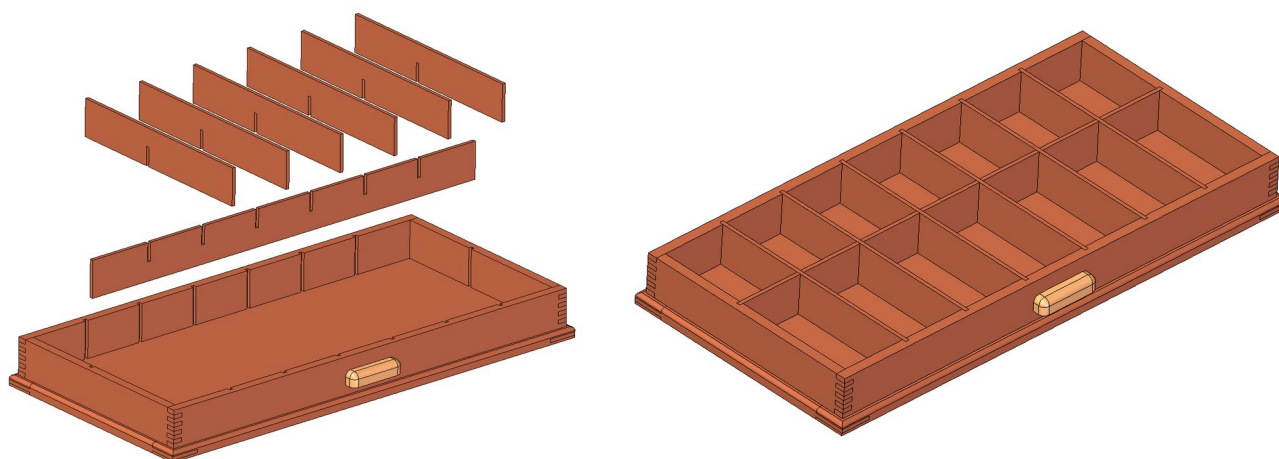
4.



5.

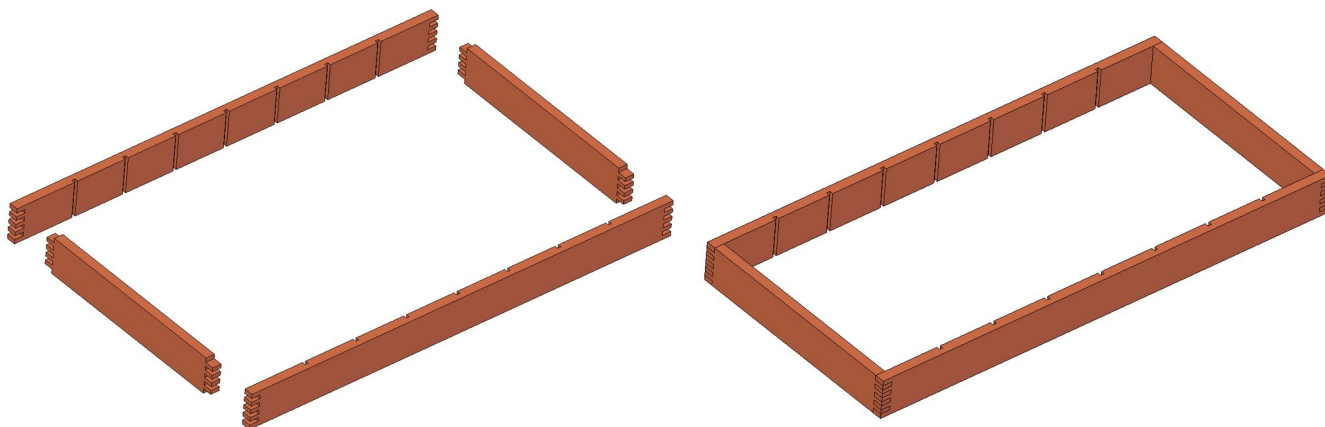


6.

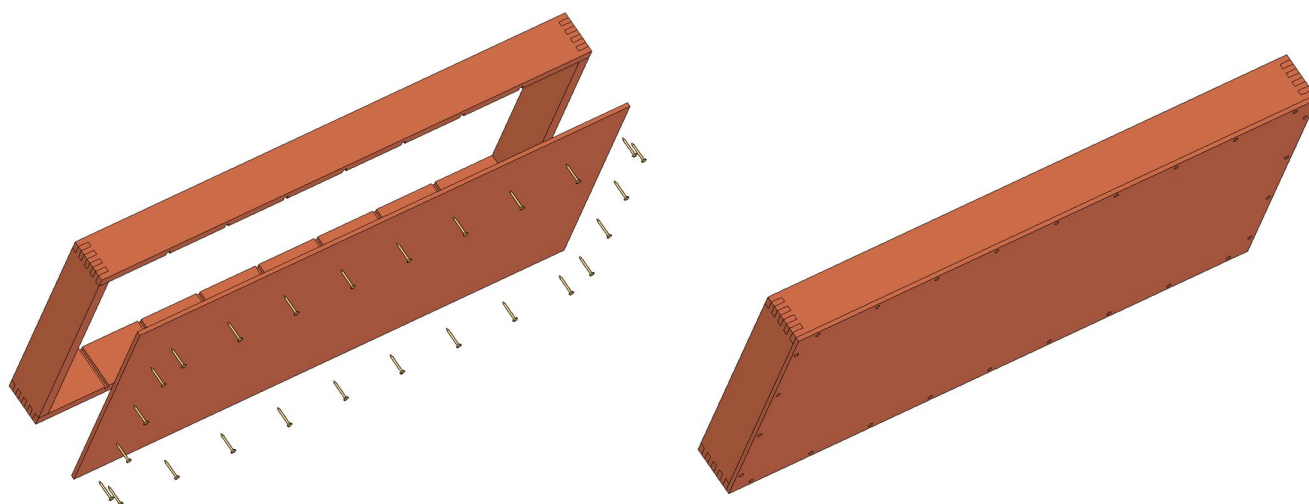


Middle drawer

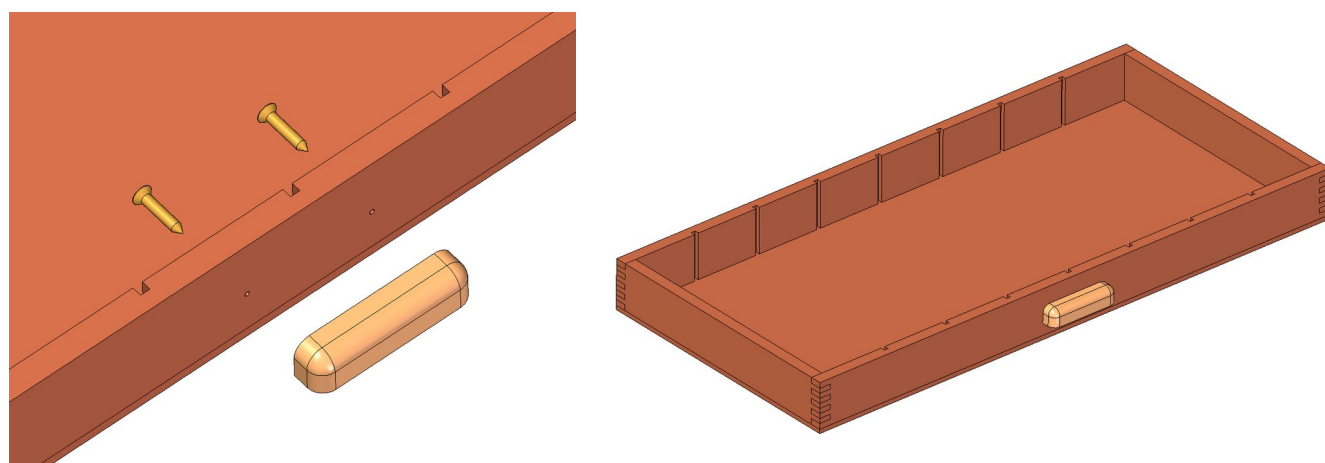
1.



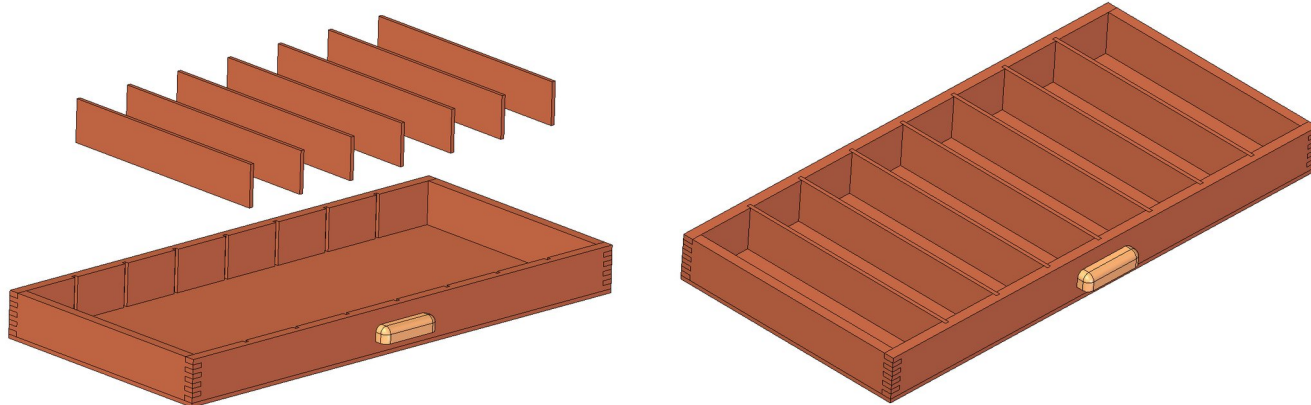
2.



3.

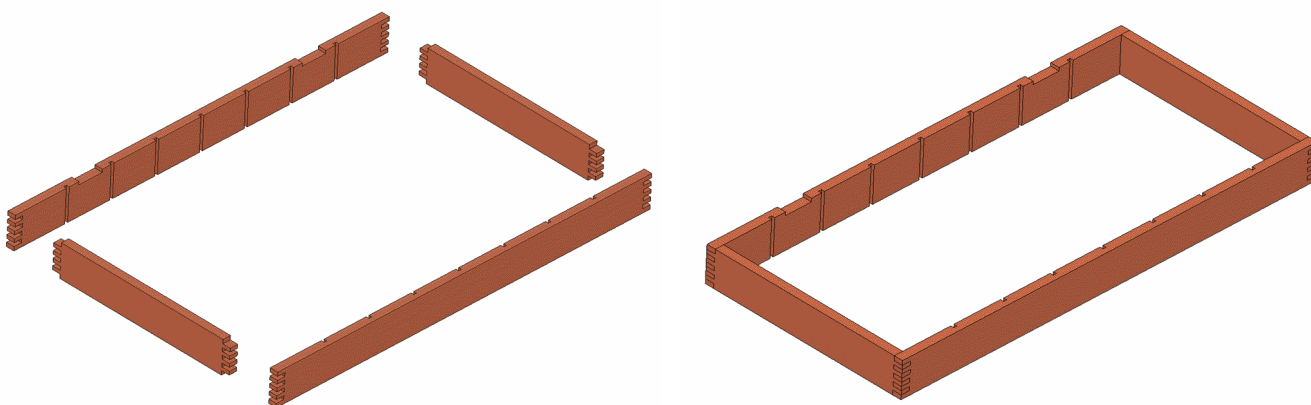


4. Align the Partition wall drawers (Part 2.05).

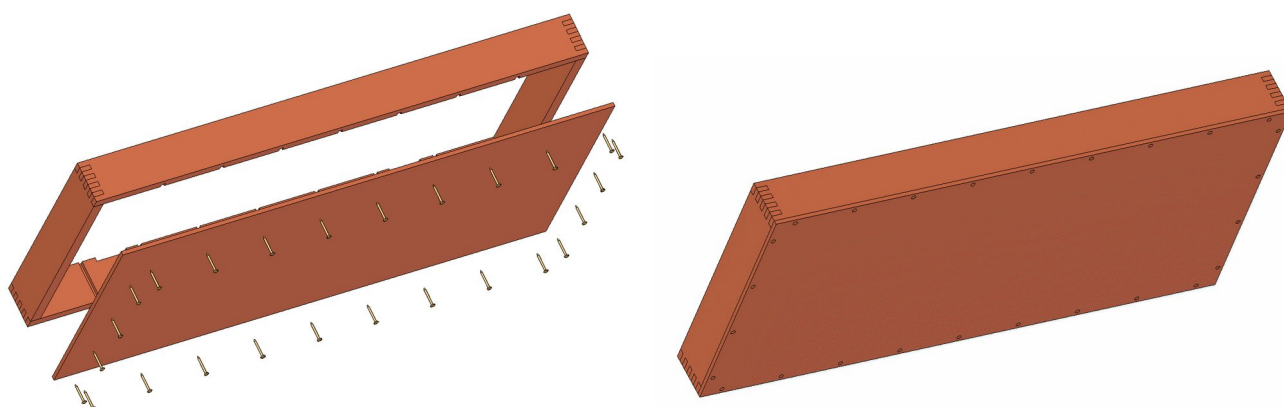


Top Drawer

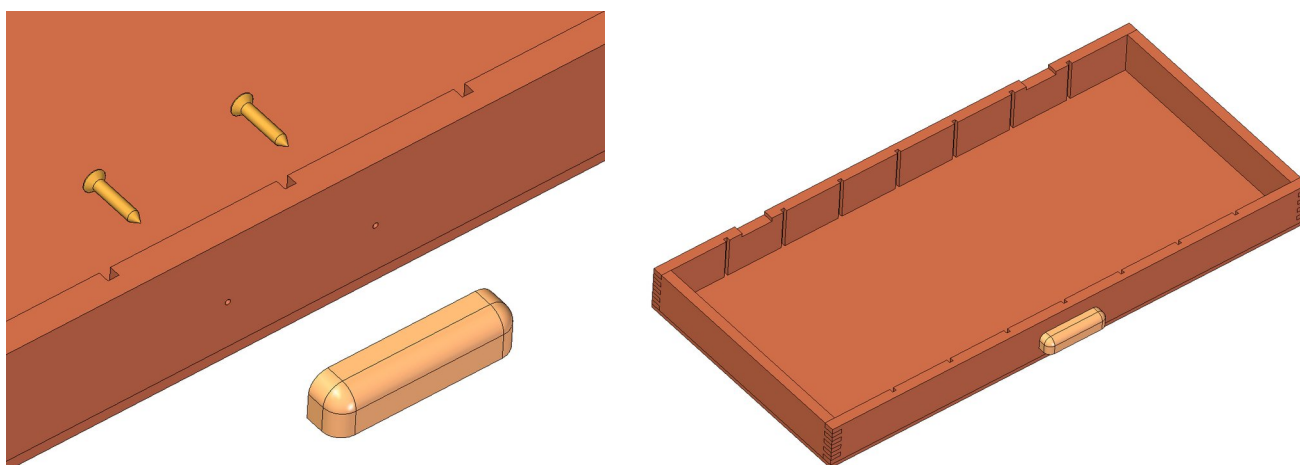
1.



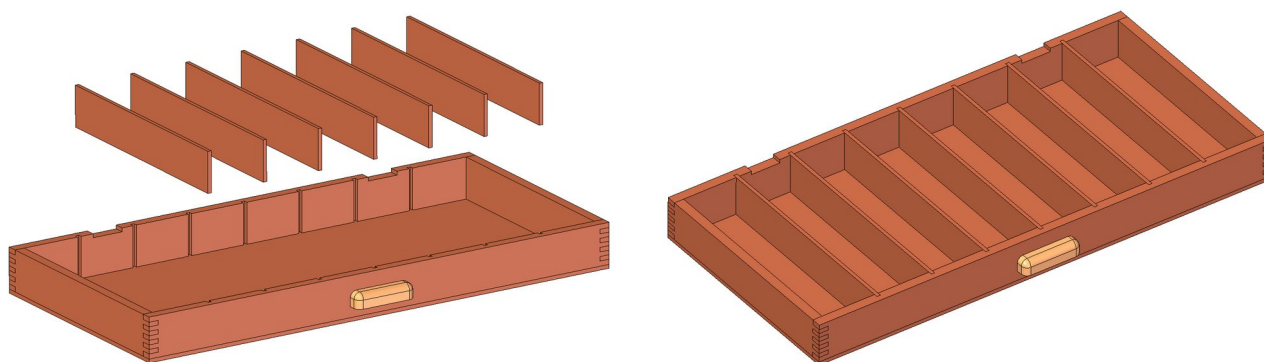
2.



3.

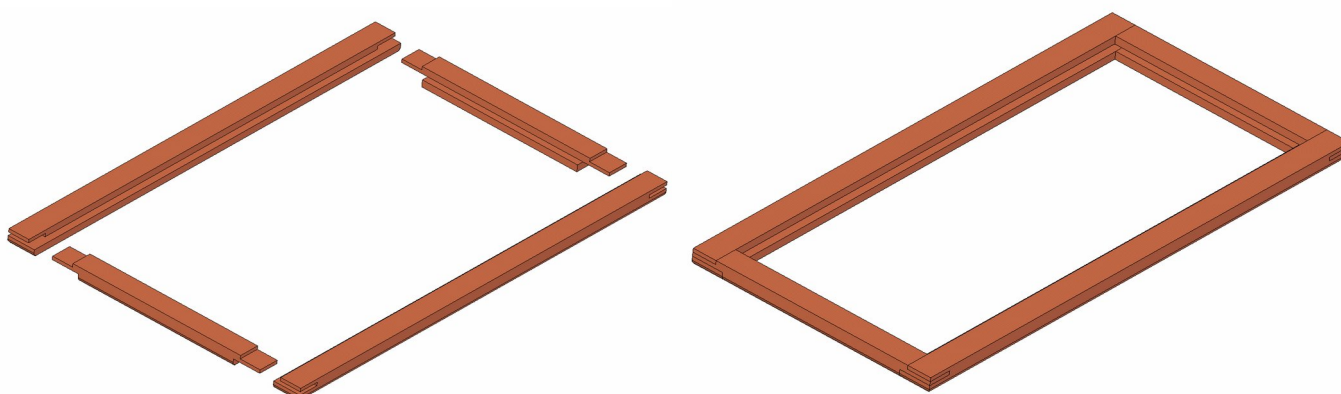


4.

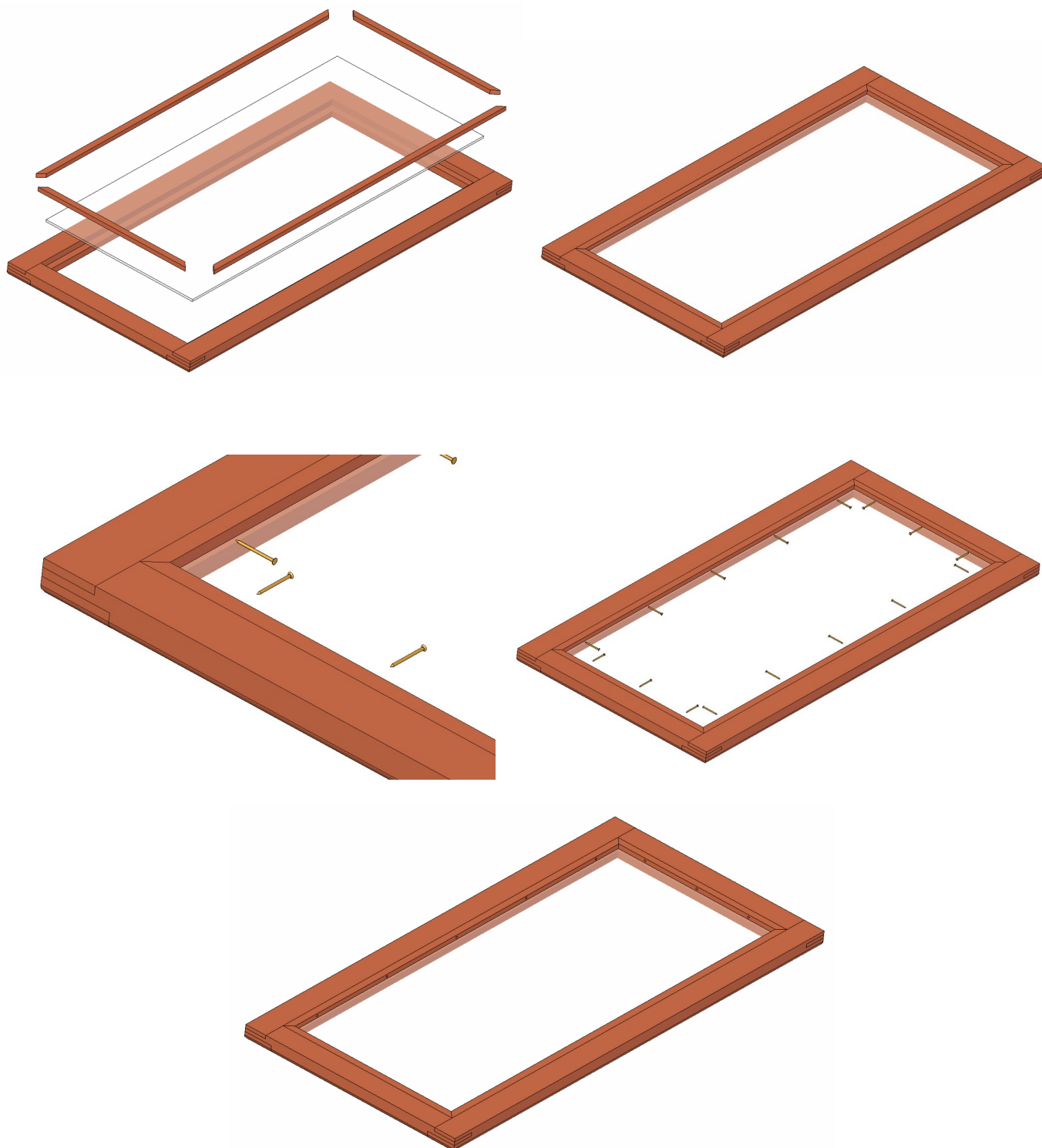


Cover

1.

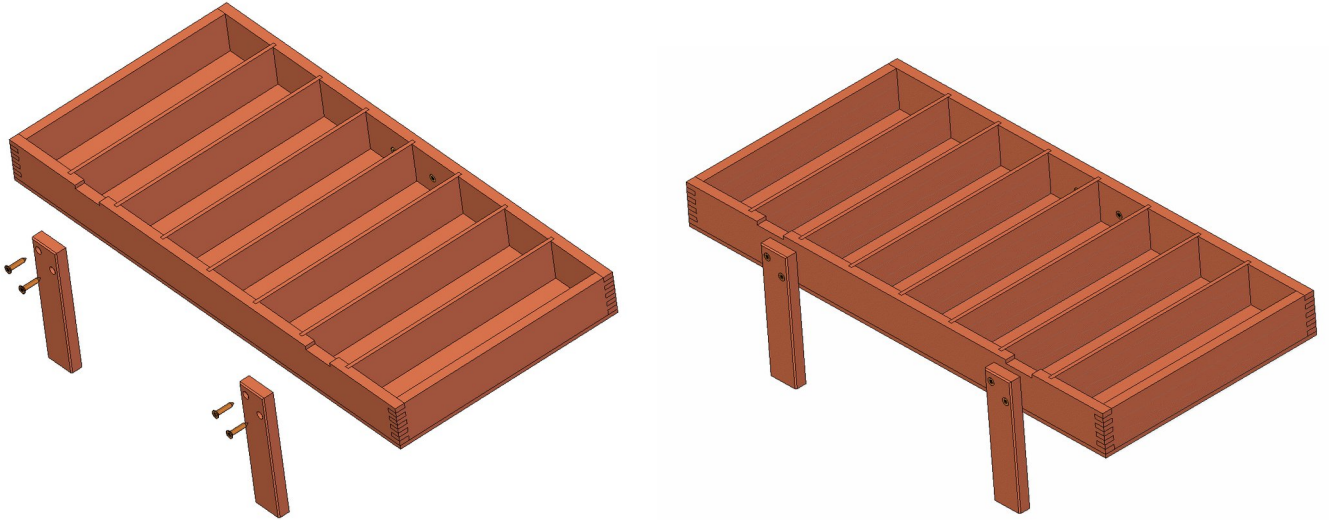


2.

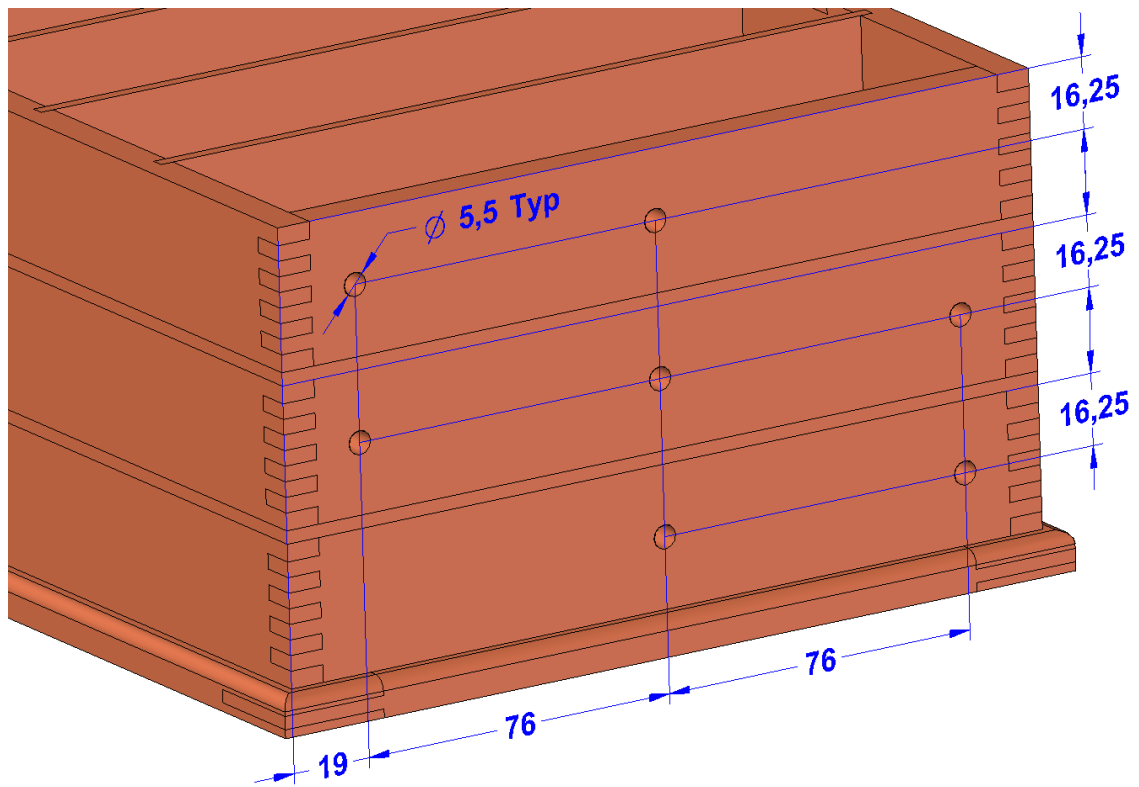


Final assemblage

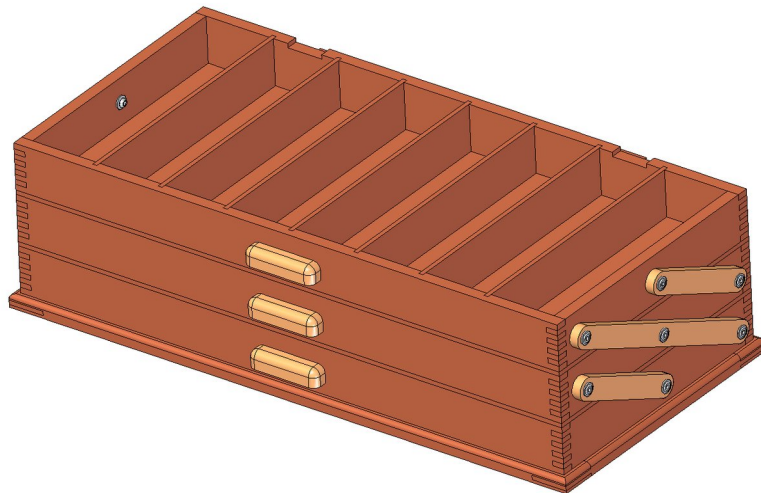
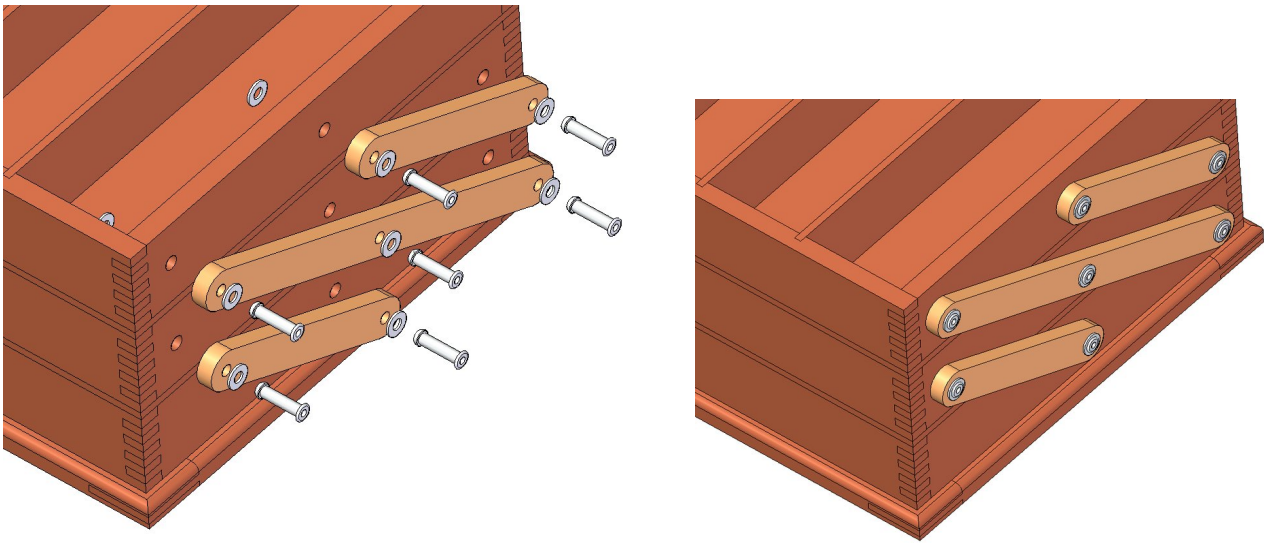
1.



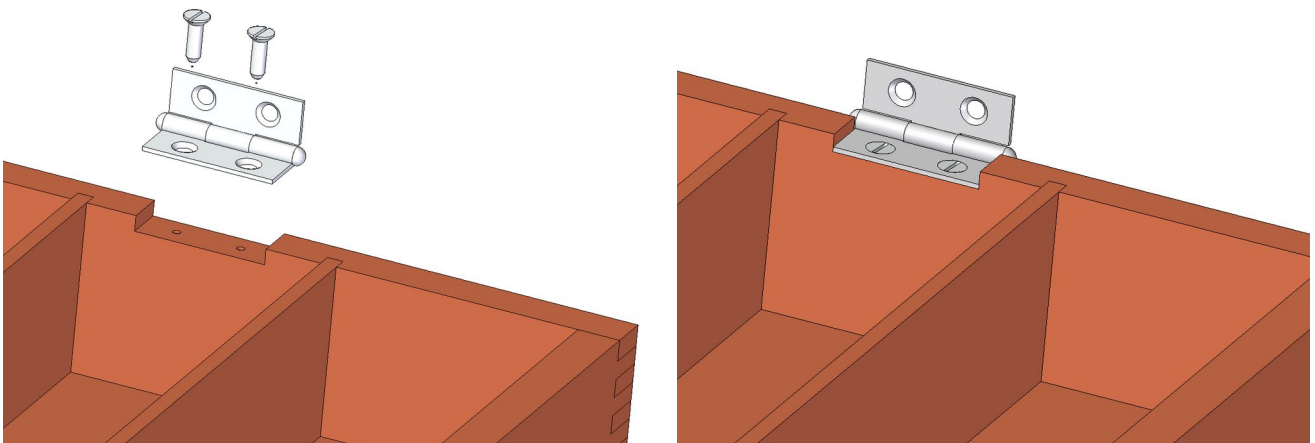
2.

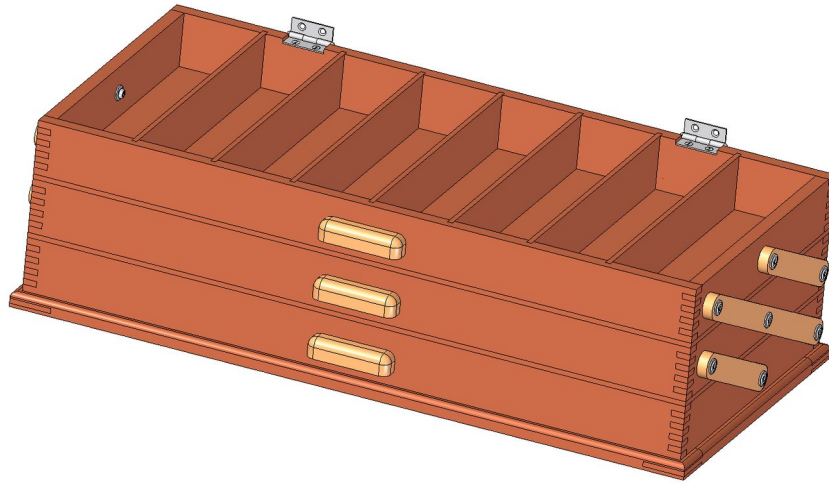


3.



4.





5.

