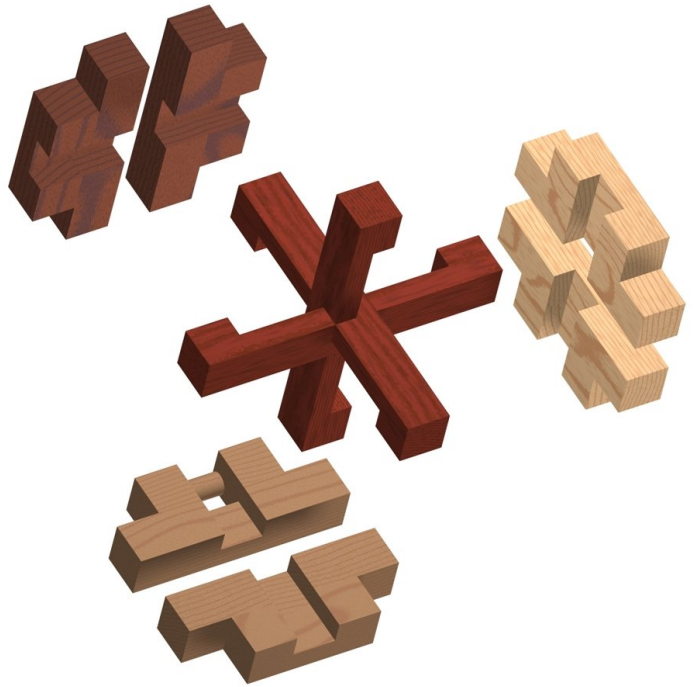
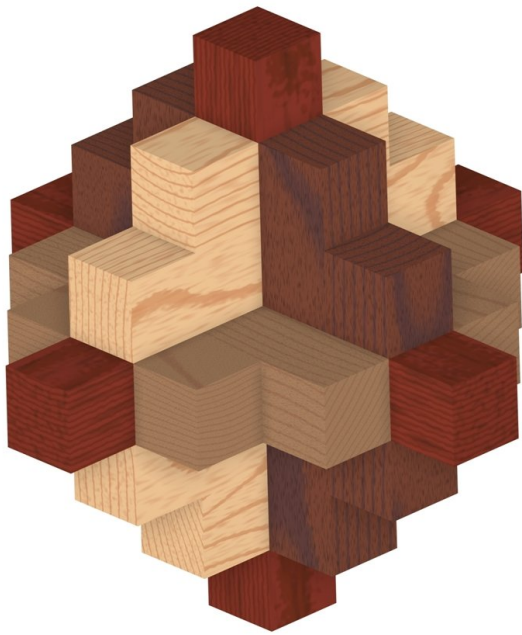
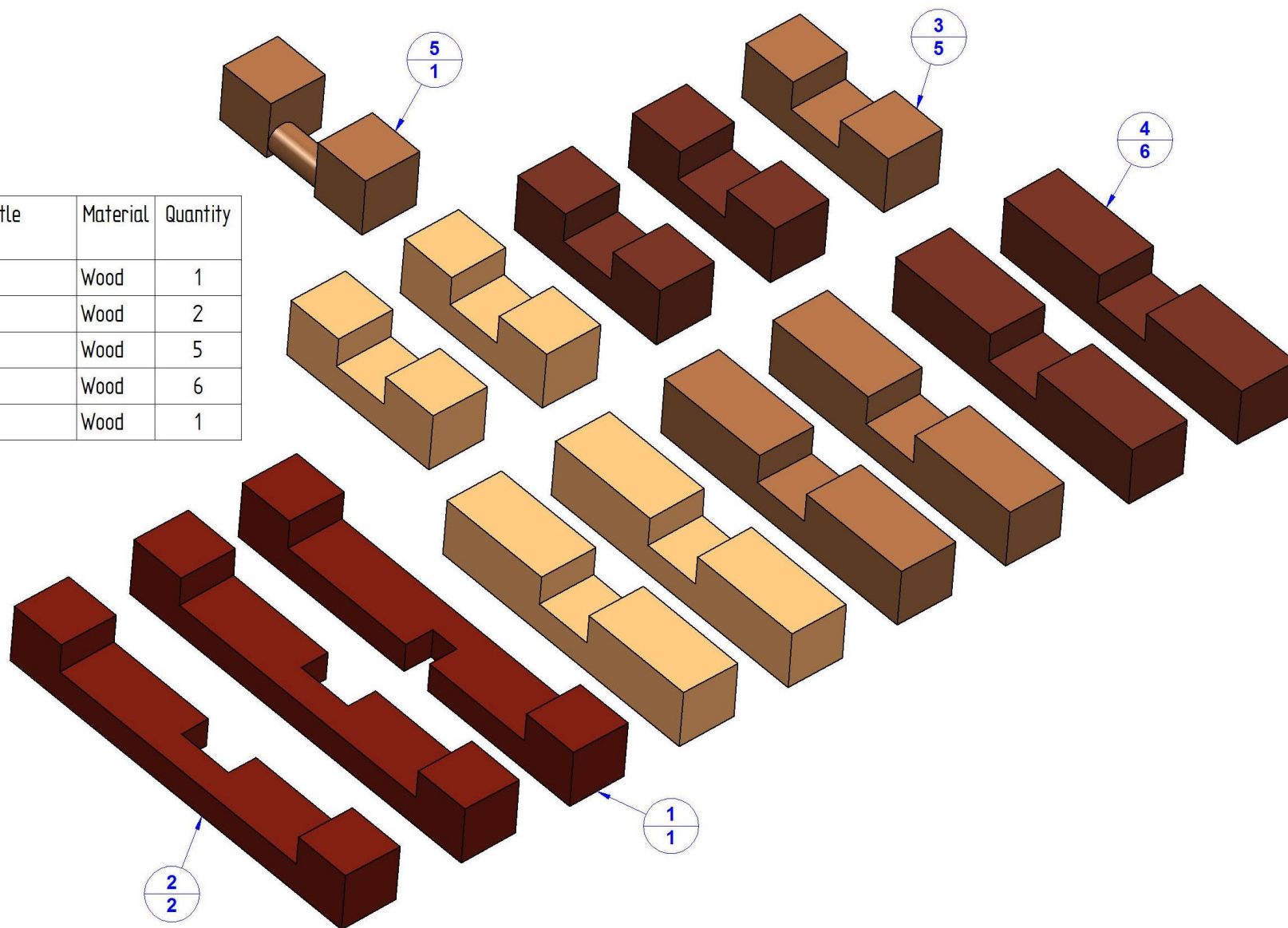


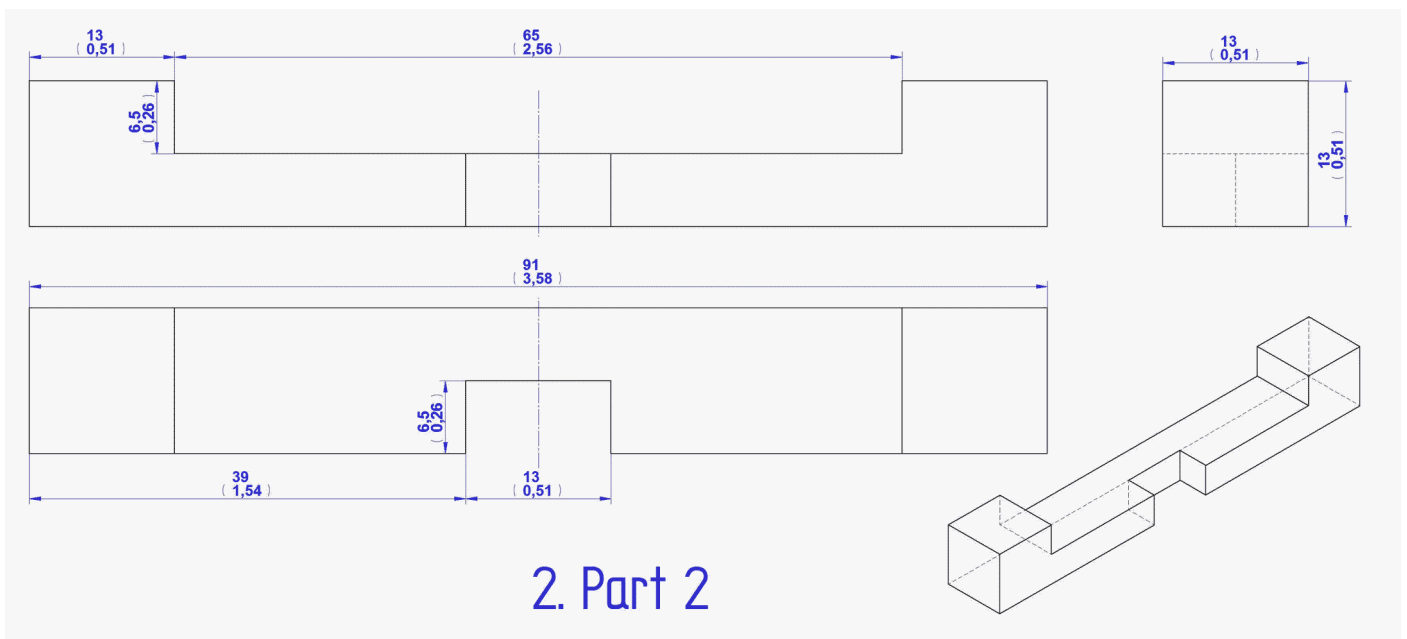
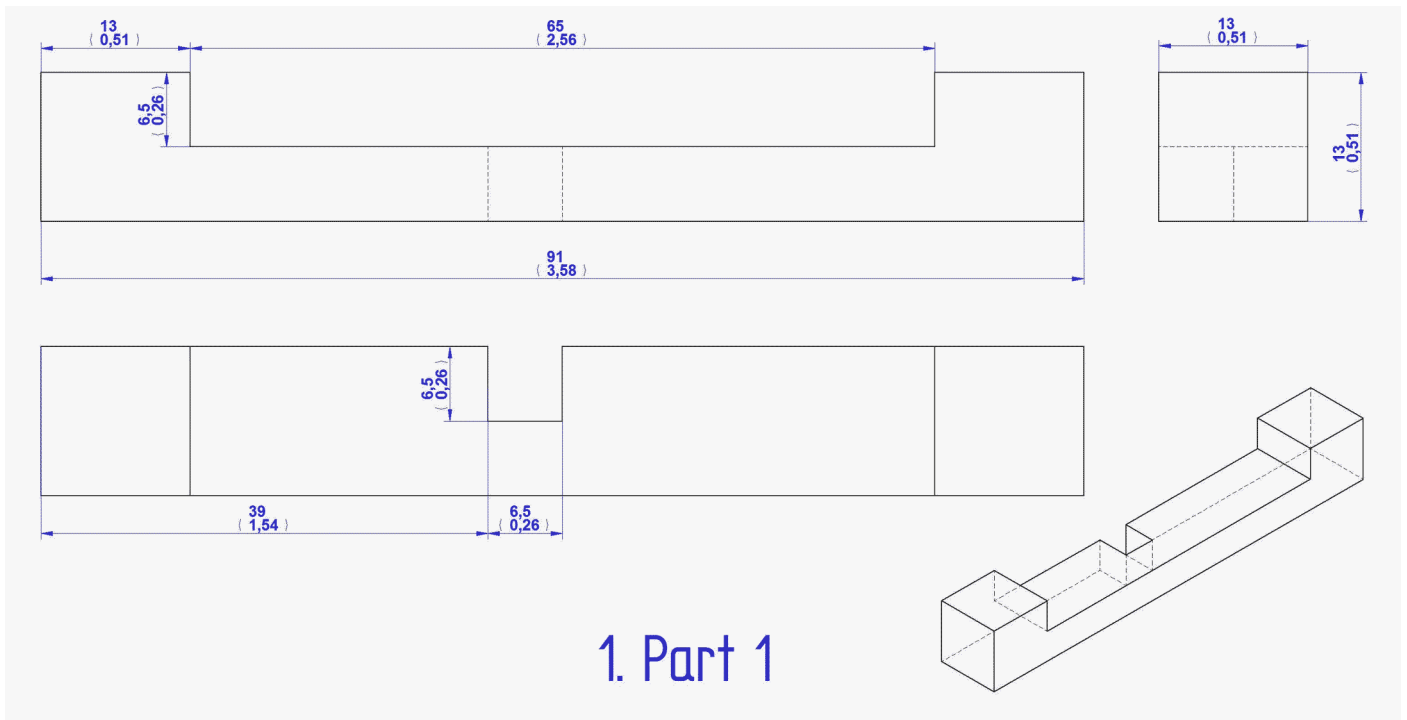
Fifteen-piece burr puzzle plan

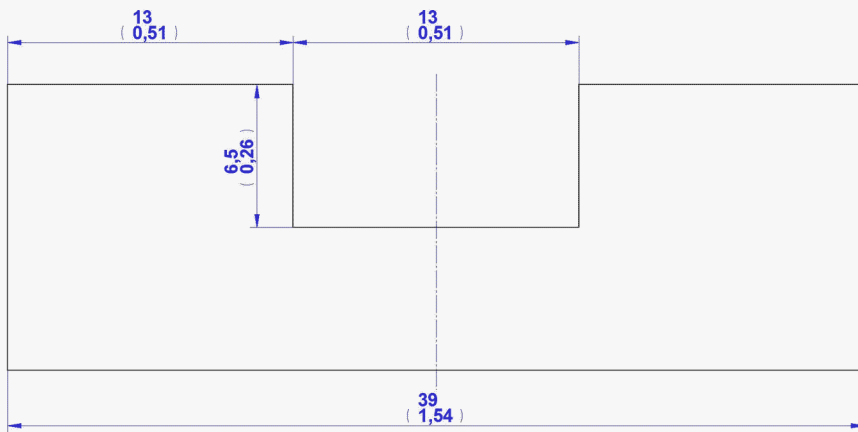


Parts List

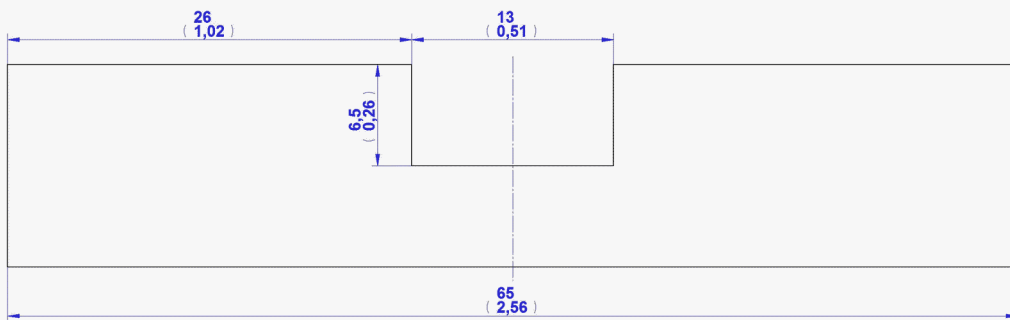
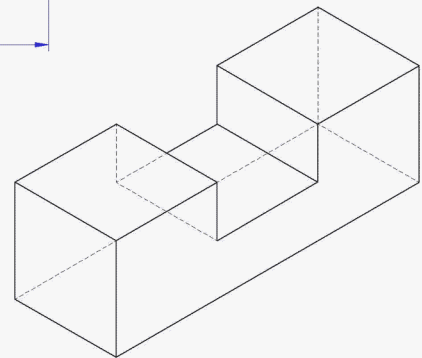
Item Number	Title	Material	Quantity
1	Part 1	Wood	1
2	Part 2	Wood	2
3	Part 3	Wood	5
4	Part 4	Wood	6
5	Key	Wood	1



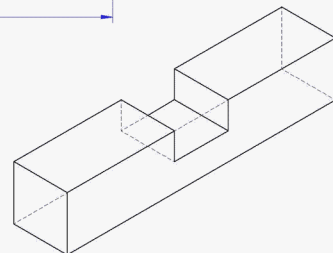


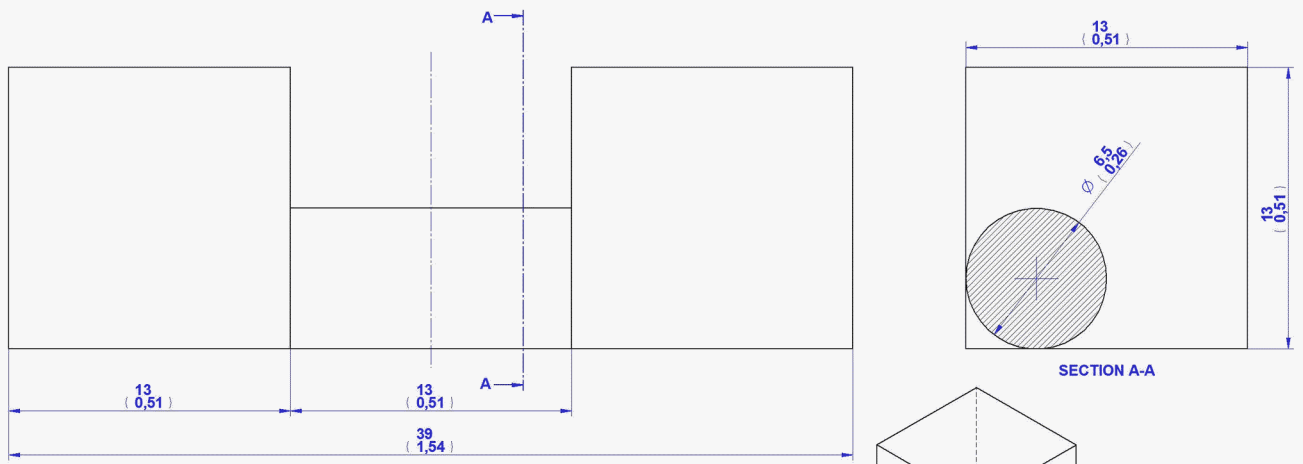


3. Part 3

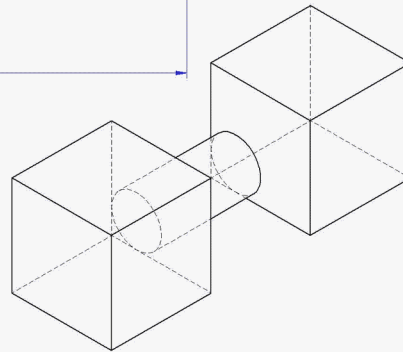


4. Part 4



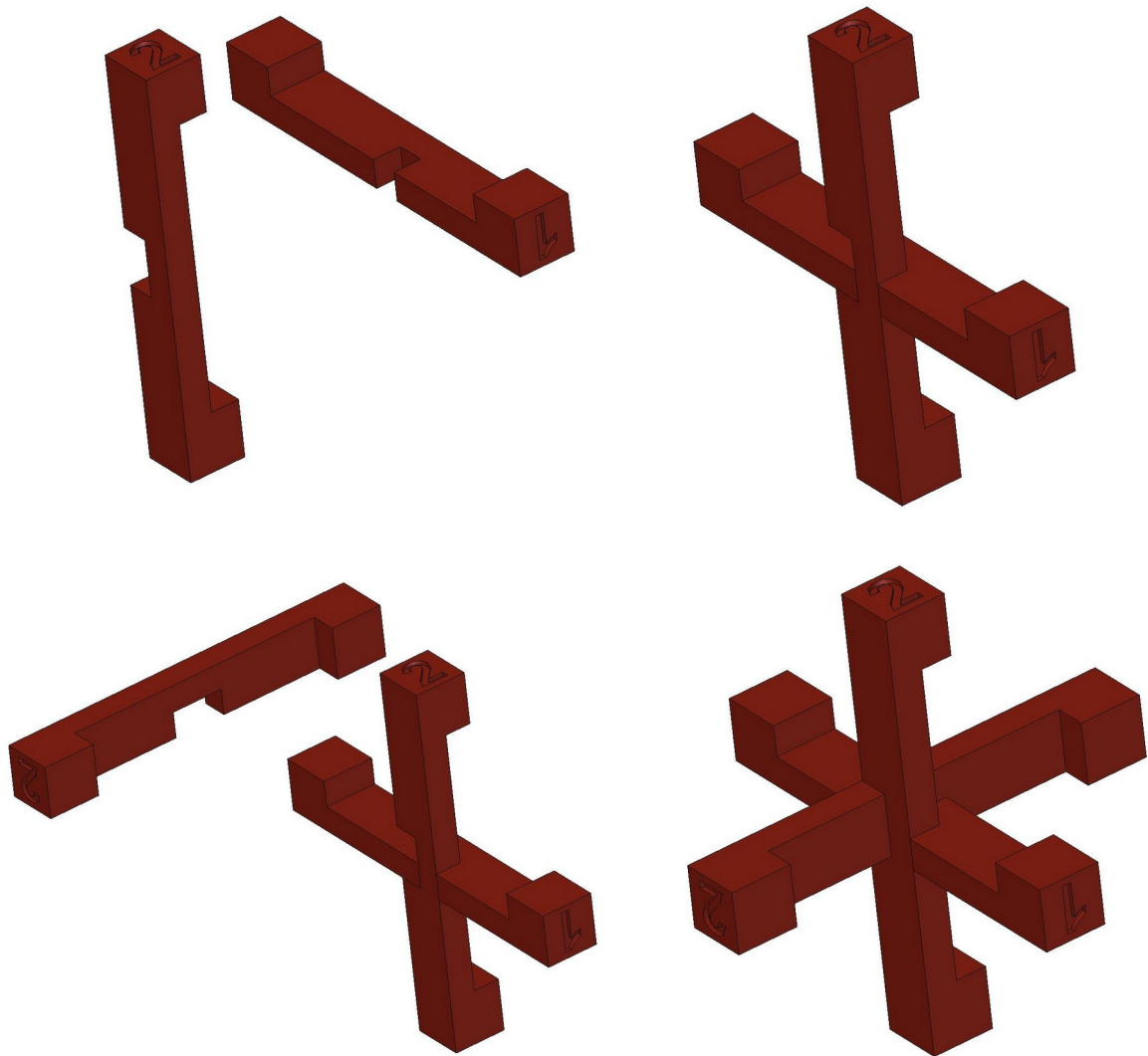


5. Key

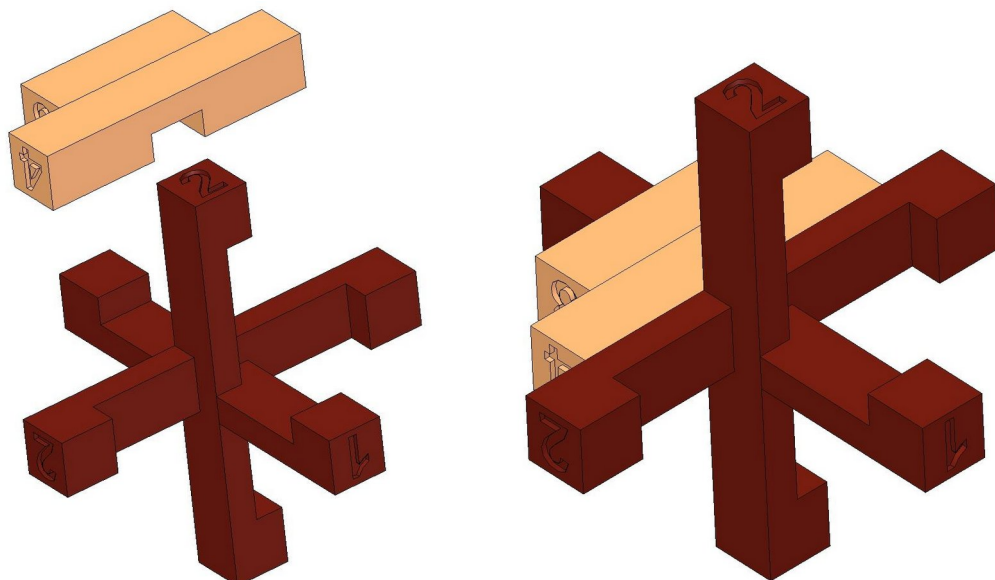


Solution

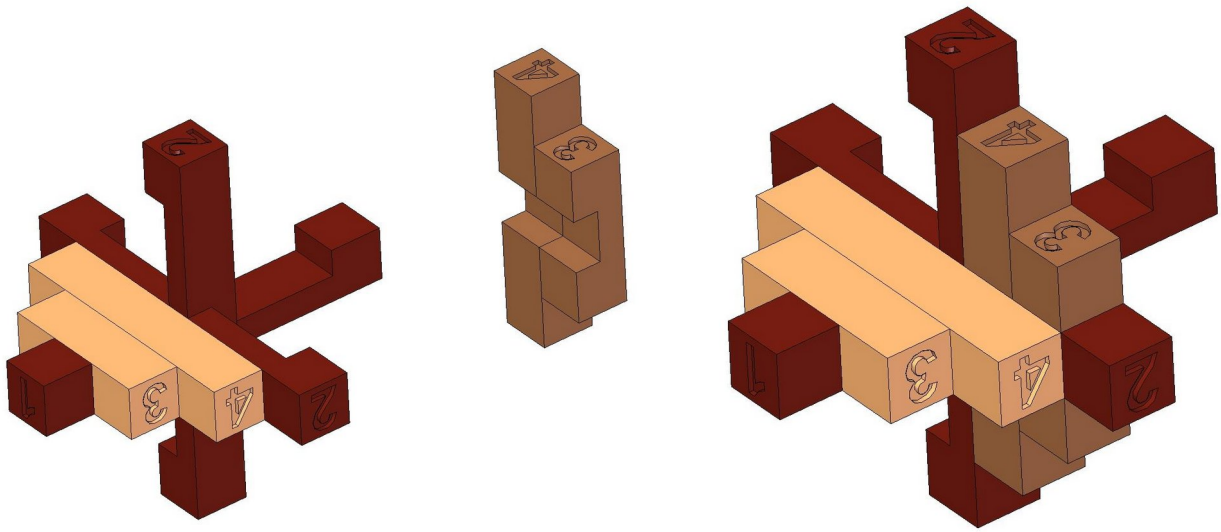
Step 1



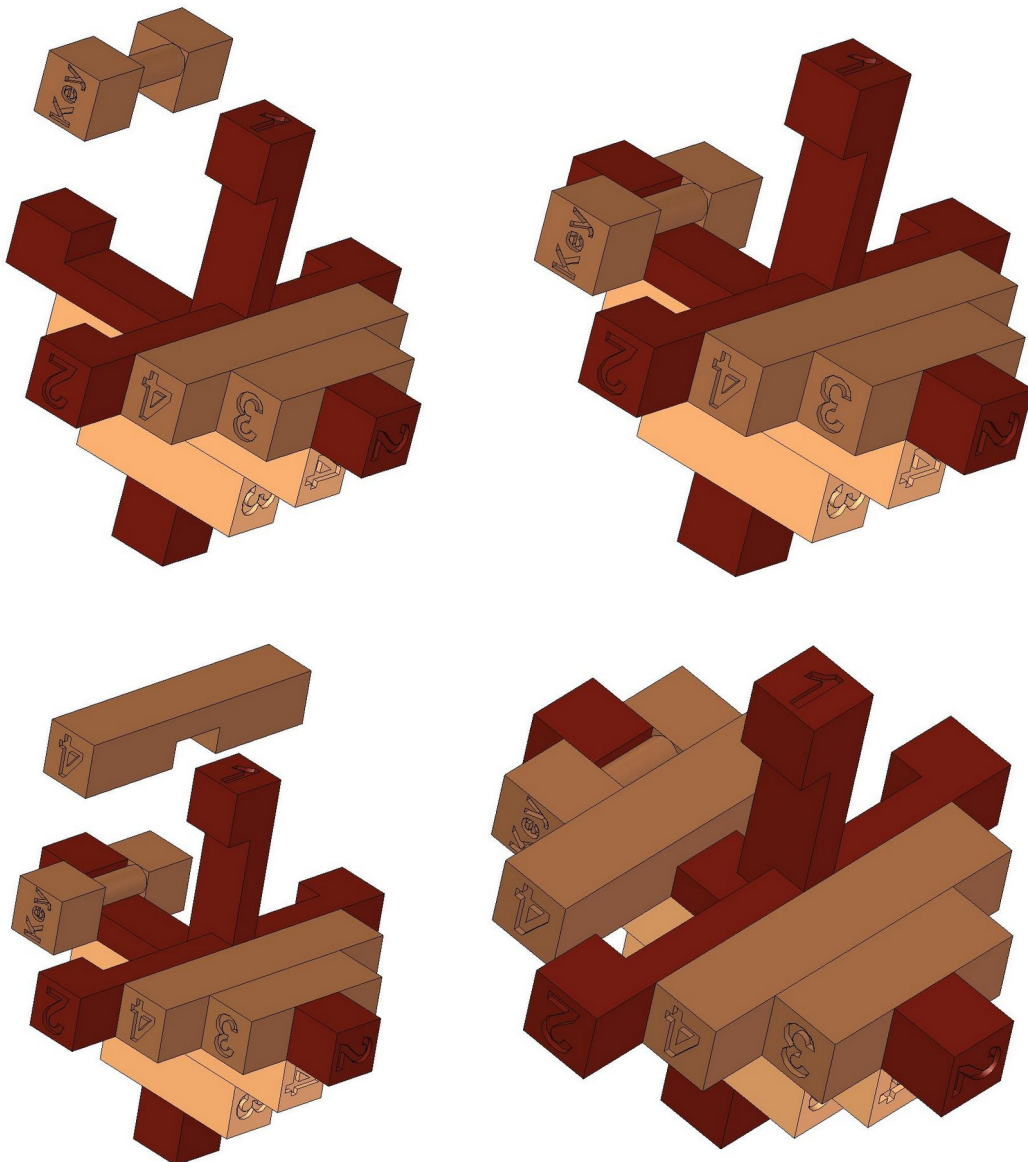
Step 2



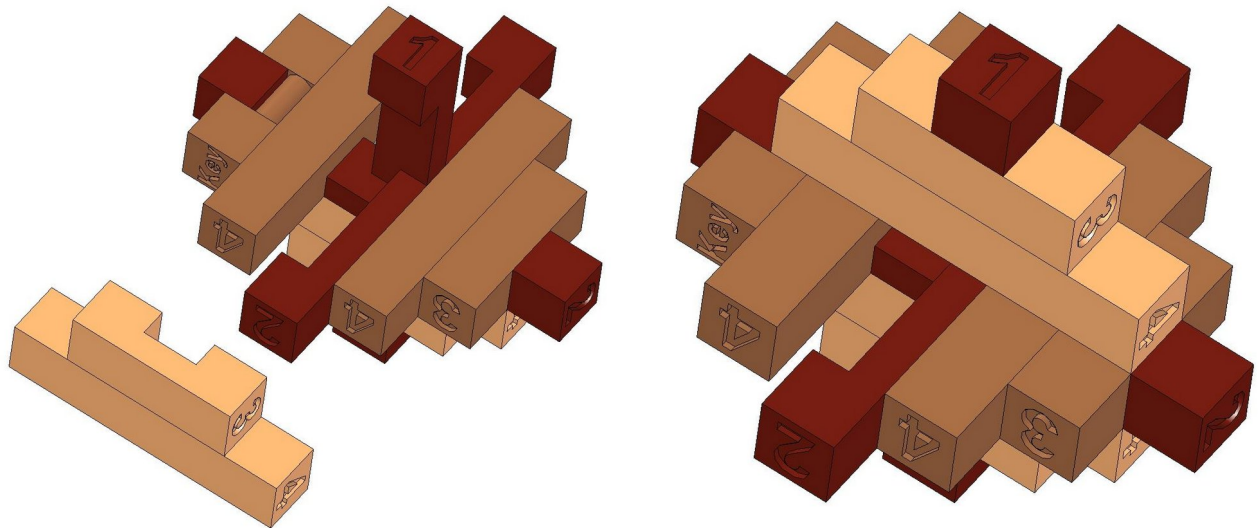
Step 3



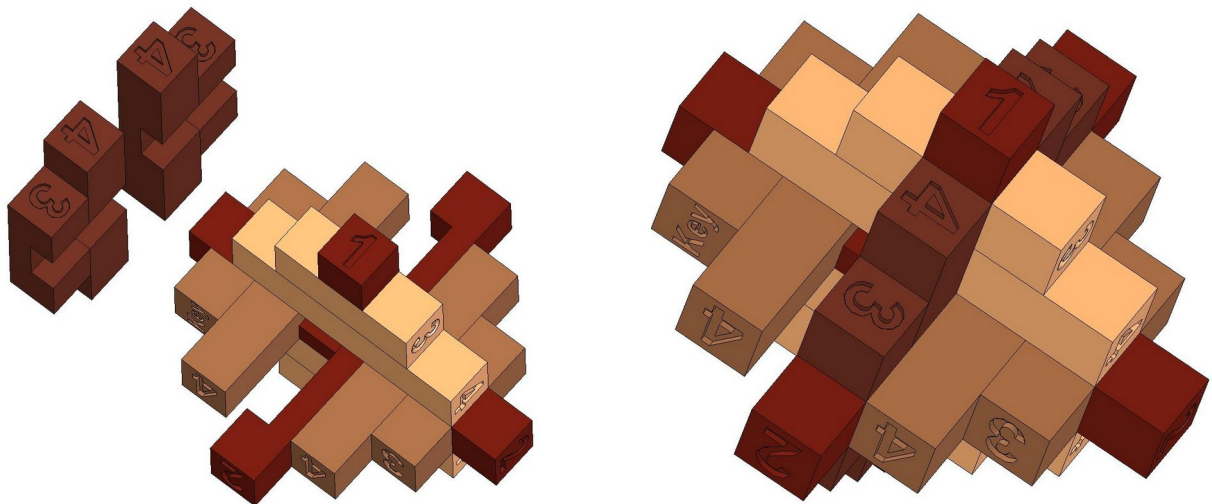
Step 4



Step 5



Step 6



Step 7 – turn round the Key (item 5)

