

## Folding stool plan

The folding stools have the same features as other stools, except that they can be folded. Because of that, they are very practical; since they are portable and when folded they take very little space. They are suitable for use at home, in the yard, during the camping, fishing and picnic, or for some similar purpose in the nature. Folding stool can also be used as a stand for flowers or as a step stool. Their purpose is not to be comfortable, but rather a quick solution for sitting during dealing with some work.

You are looking at the folding stool plan for a simple stool, which is very easy to make and has shown very good results. The folding stool made by this plan is characterized by simple and sturdy construction sufficient to withstand the weight of an average man; it is comfortable and easy to fold and unfold. To make this folding stool you do not need many tools and machinery, and since its construction is simple, the manufacture of this folding stool is good exercise for beginners. Since its construction does not have complicated woodworking joints, it is suitable for the large series production. Assembling of this kind of the folding stool is fast, because the connections between parts are made by glue and fasteners.



Folding stools are frequently used in the households, so we recommend you to make a few of these stools and arrange them to always have one at hand. Experienced woodworkers could customize the stool's dimensions and then easily make a table with the same structure and manufacture a perfect set for the picnic or camping. When you make this type of folding stool you will get one universal stool, which will serve you well in the house and in the backyard, and you will have also a high quality, cheap replacement for the camping stool, fishing stool and other similar stools.

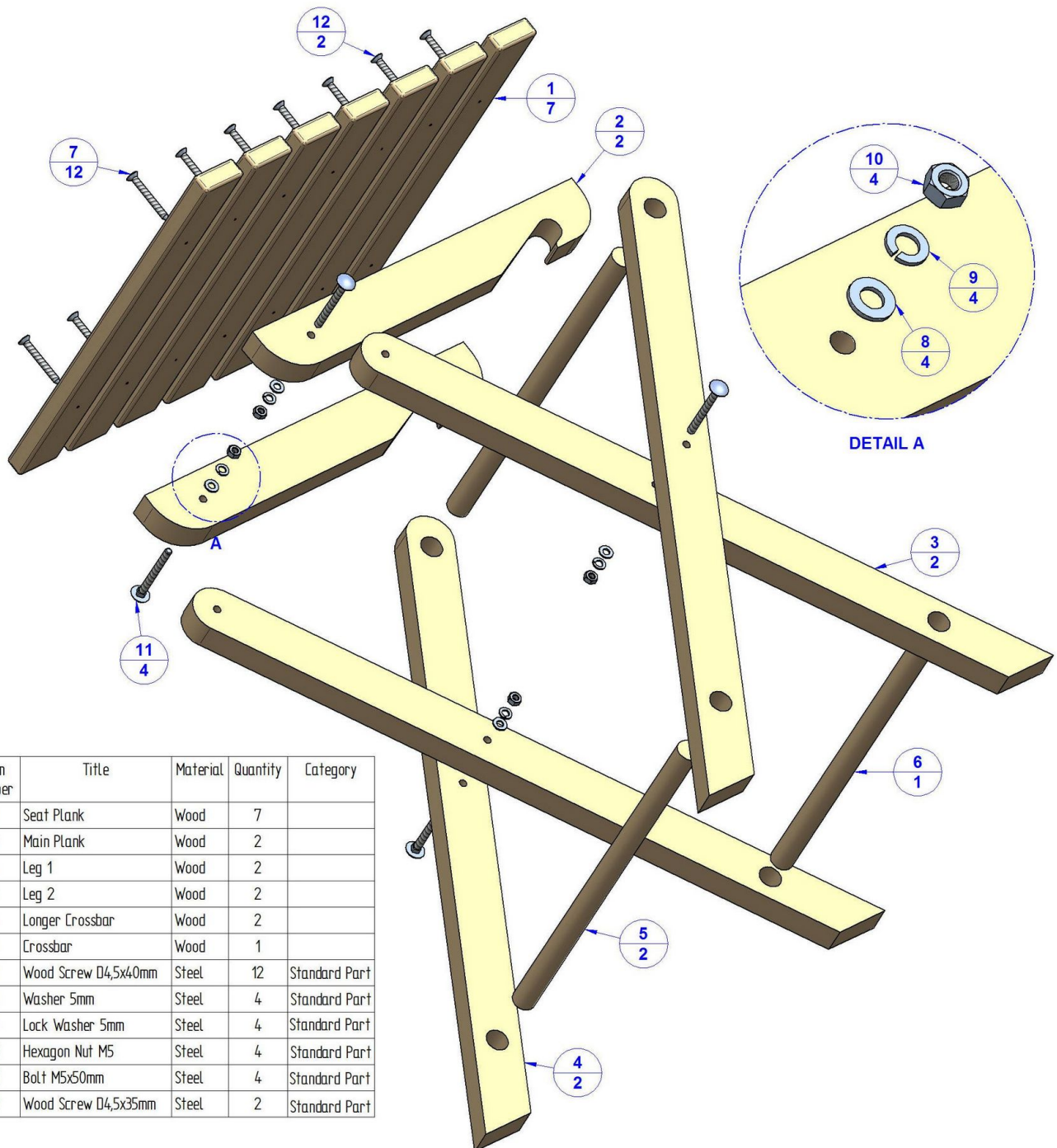
To make this folding stool you can use many types of wood. You should keep in mind that this folding stool has to withstand your weight, so if you want it to last for long period of time, use some kind of hardwood (birch, hickory, oak, walnut, ash, beech, ...).

When it comes to the finish, you can paint it with color or lacquer, but you can also leave it without a finish. We are using this folding stool in the backyard without finish for years. Of course, we always put it in a dry place, where it is not exposed to the various weather conditions.

At the beginning of this page there are photos, on which you can see the wooden folding stool made by this plan.

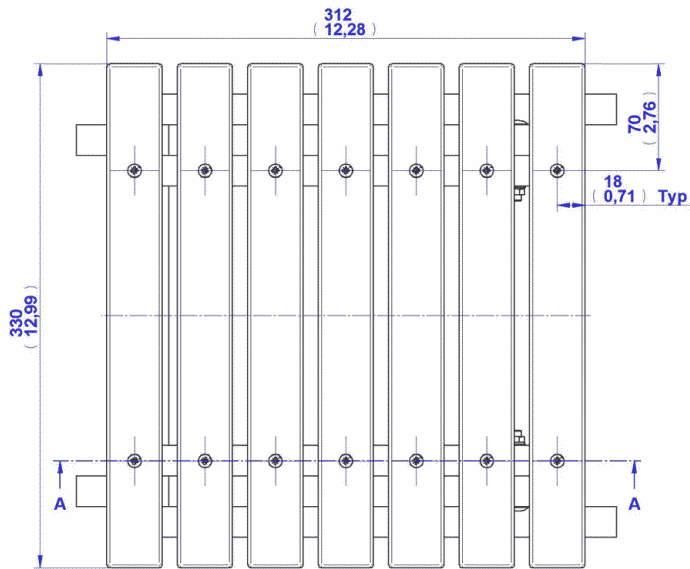
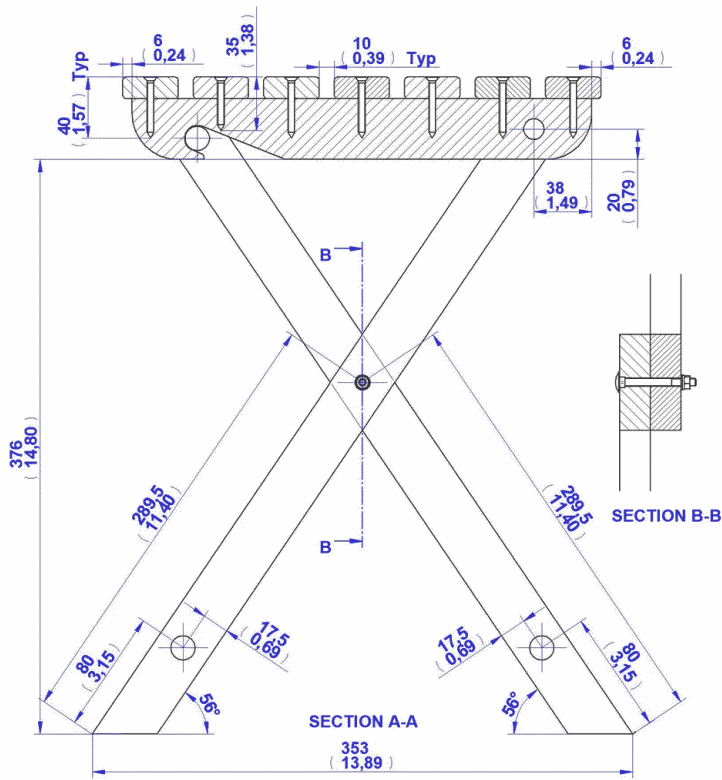
The measurements are given in millimeters, while the measurements given in inches are in brackets (1 inch = 25, 4 mm).

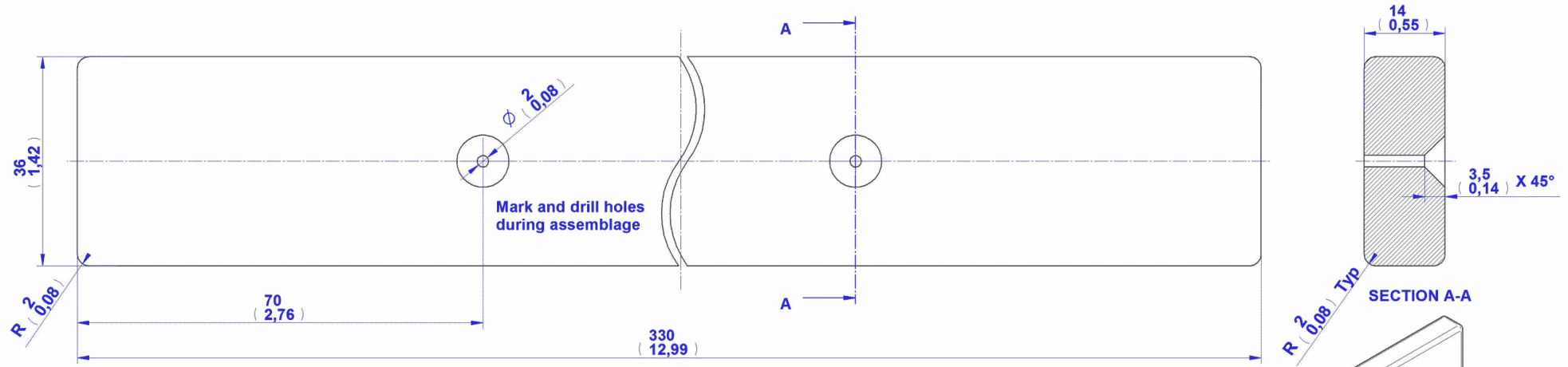
## Parts List



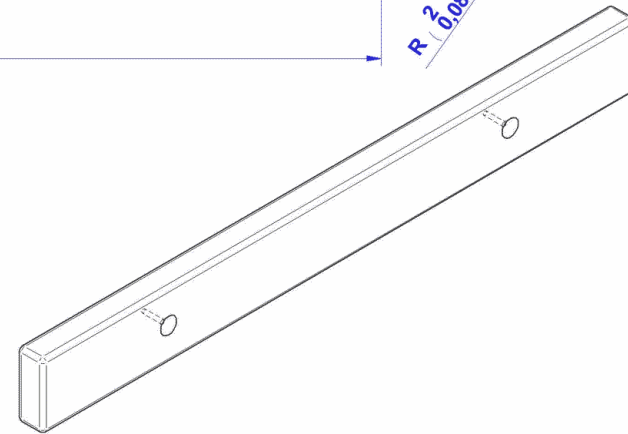
Item Number	Title	Material	Quantity	Category
1	Seat Plank	Wood	7	
2	Main Plank	Wood	2	
3	Leg 1	Wood	2	
4	Leg 2	Wood	2	
5	Longer Crossbar	Wood	2	
6	Crossbar	Wood	1	
7	Wood Screw D4,5x40mm	Steel	12	Standard Part
8	Washer 5mm	Steel	4	Standard Part
9	Lock Washer 5mm	Steel	4	Standard Part
10	Hexagon Nut M5	Steel	4	Standard Part
11	Bolt M5x50mm	Steel	4	Standard Part
12	Wood Screw D4,5x35mm	Steel	2	Standard Part

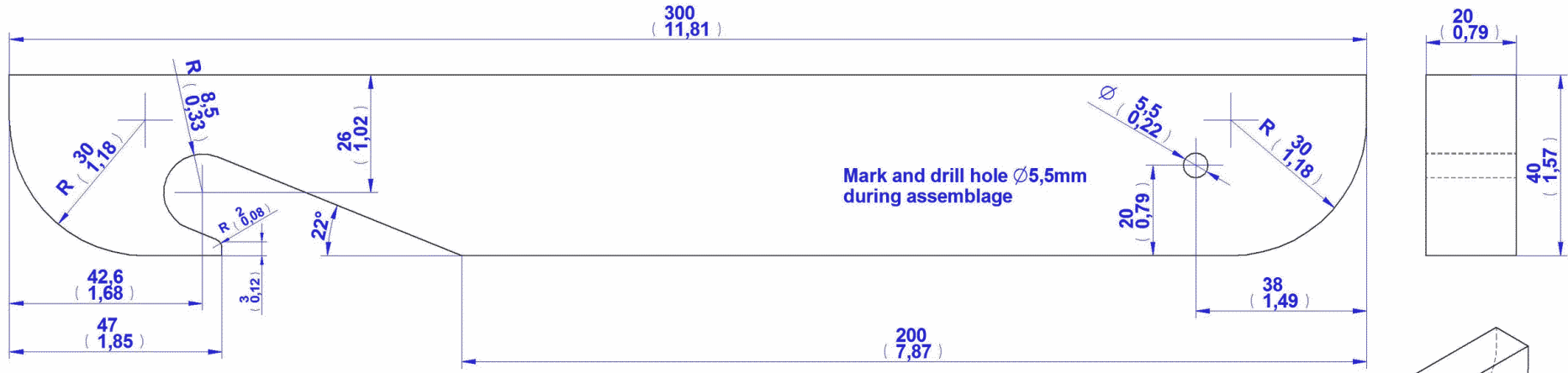
# Assembly Drawing



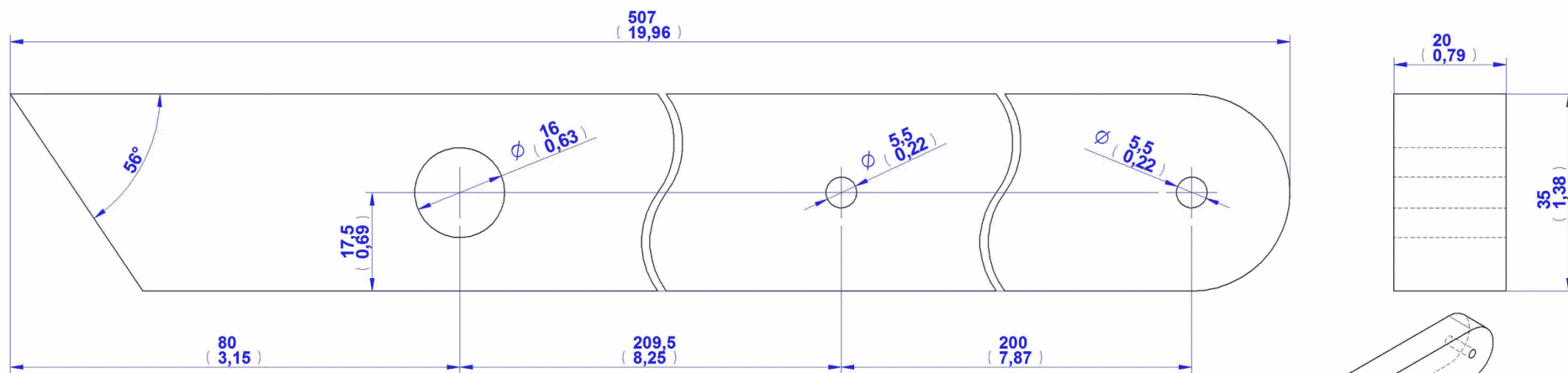


# 1. Seat Plank



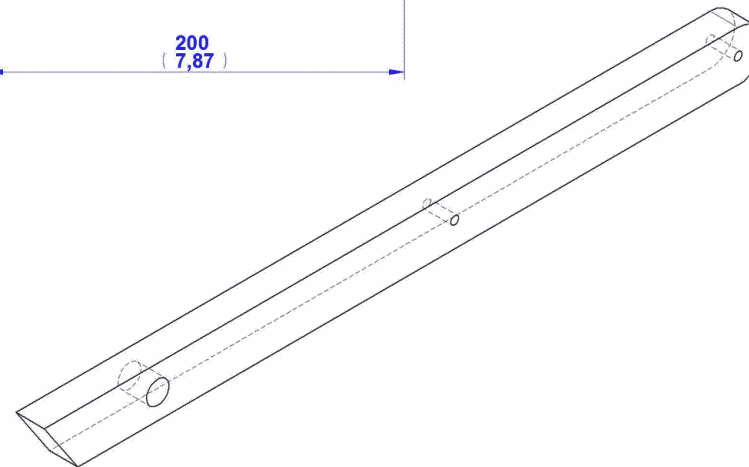


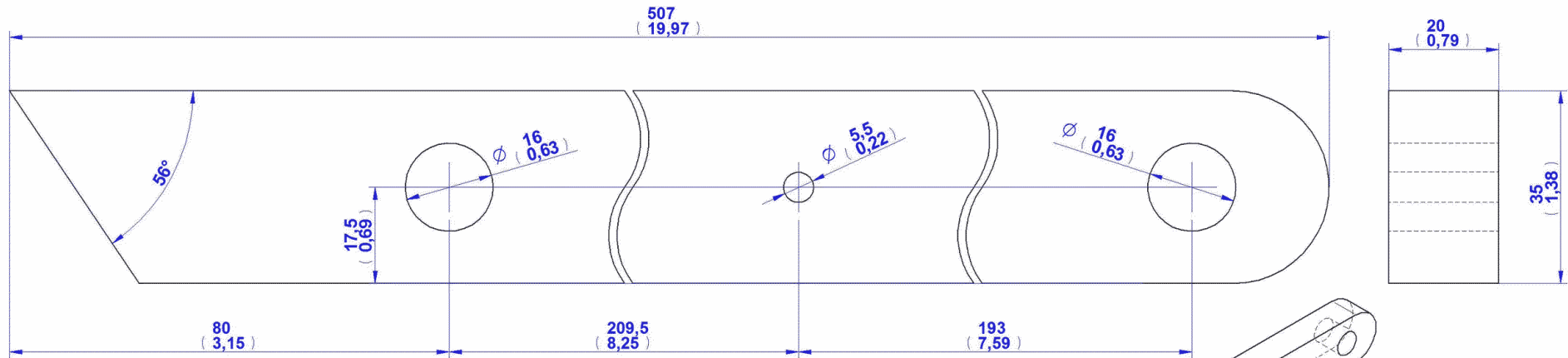
## 2. Main Plank



Mark and drill hole  $\varnothing 5,5\text{mm}$   
during assemblage

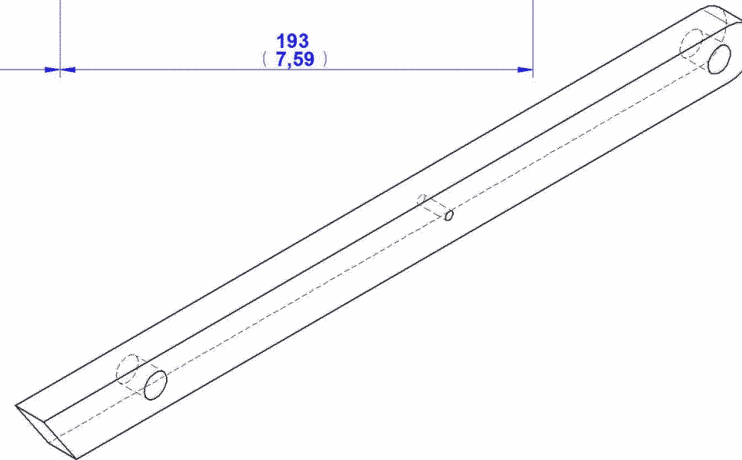
### 3. Leg 1



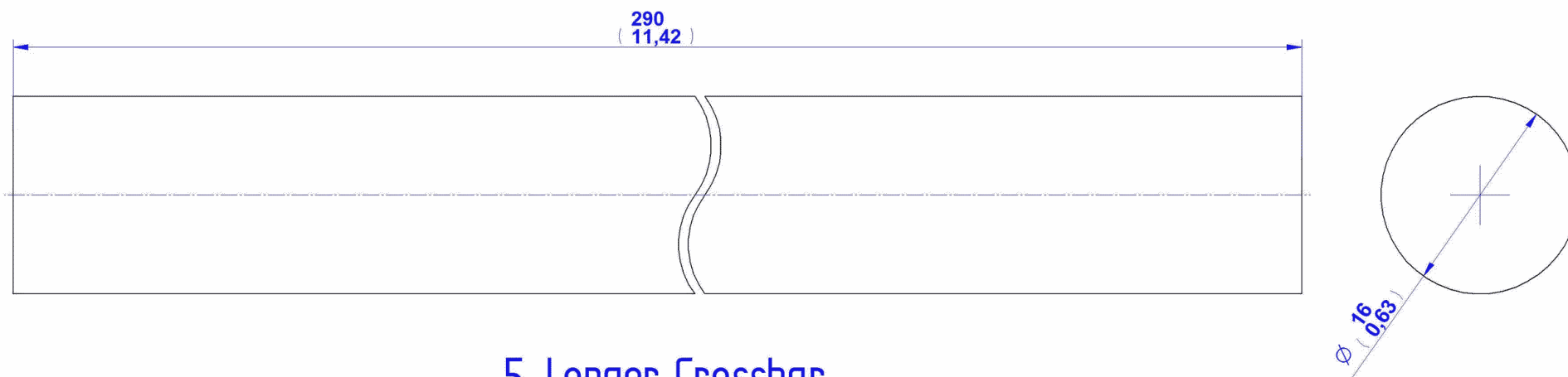


Mark and drill hole  $\varnothing 5,5\text{mm}$   
during assemblage

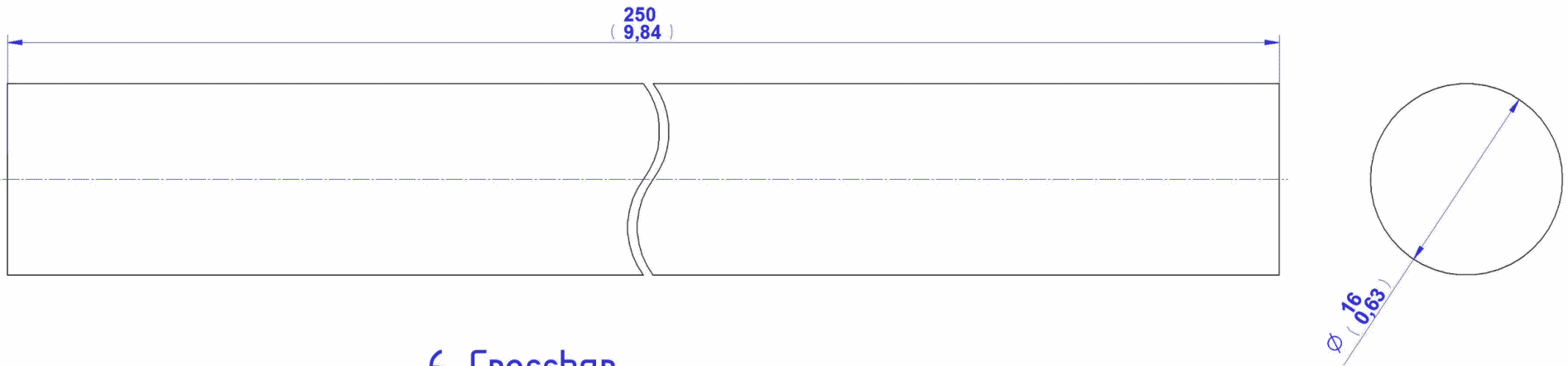
## 4. Leg 2





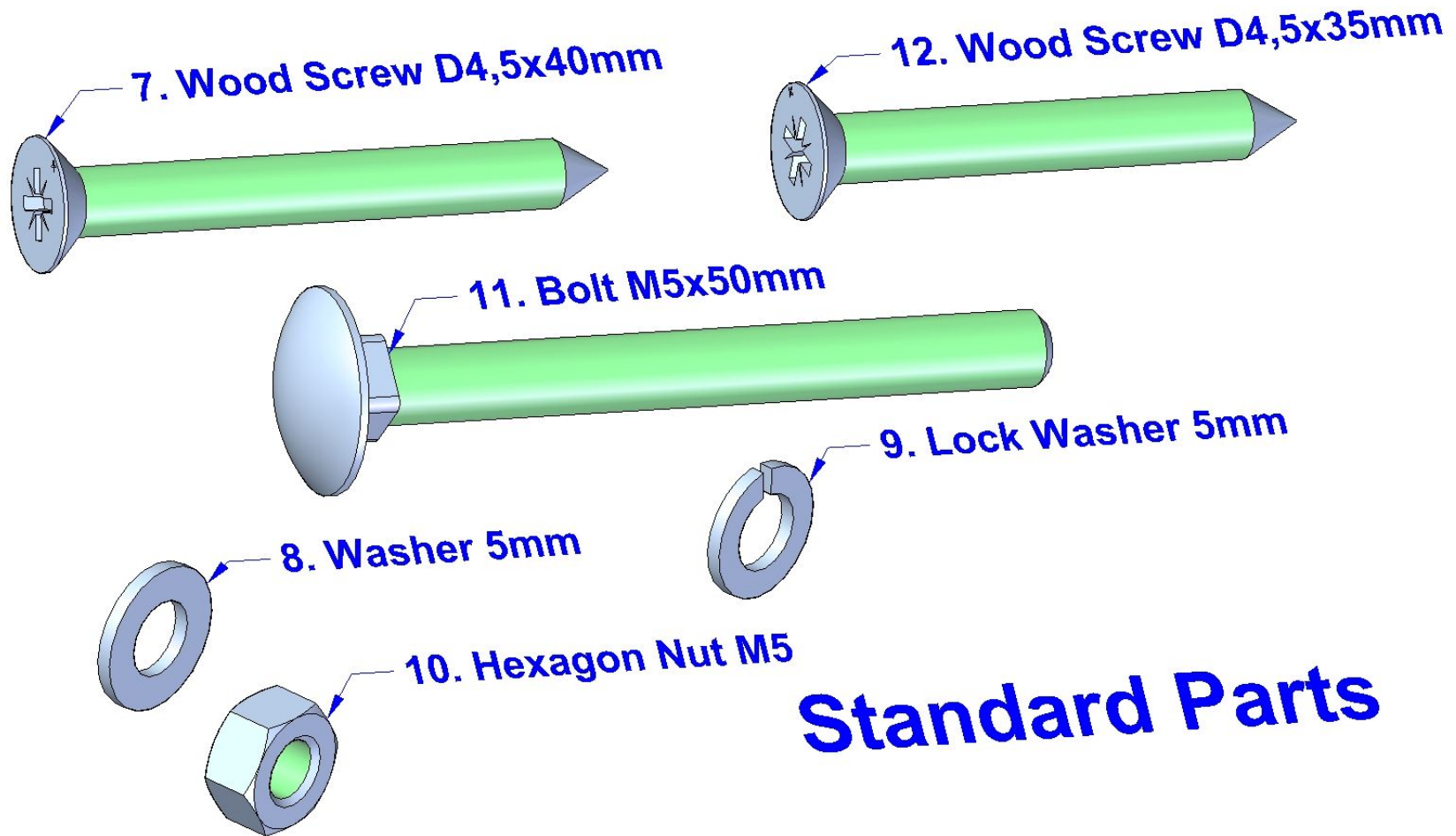


### 5. Longer Crossbar



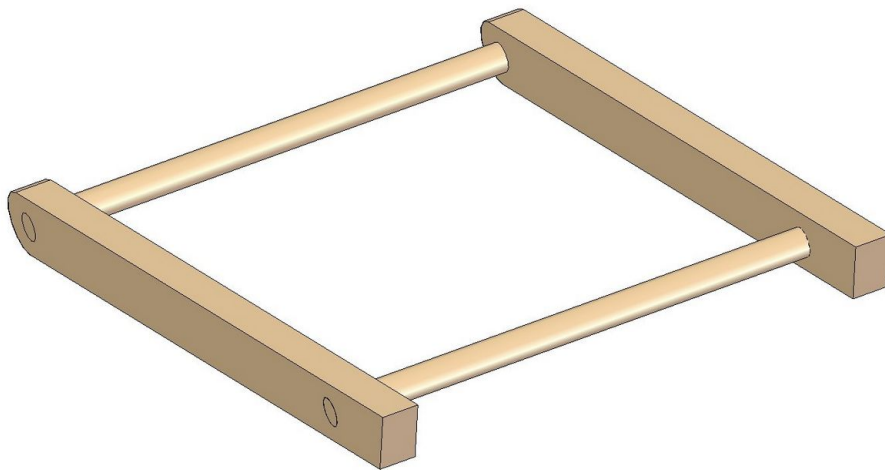
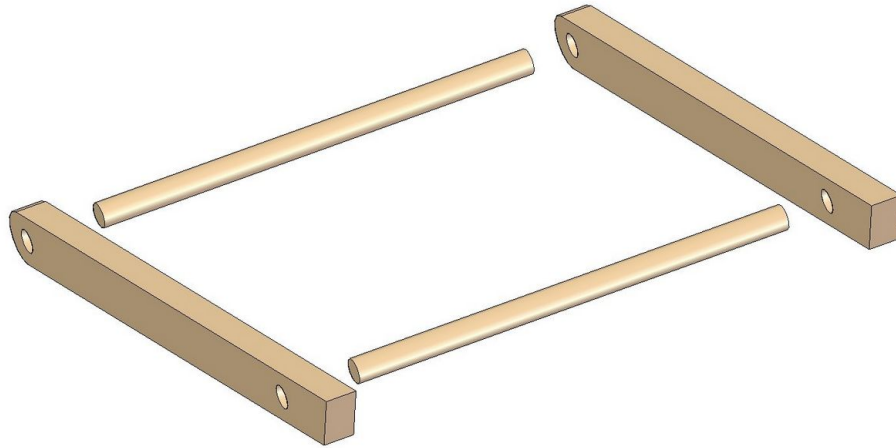
6. Crossbar

## Standard Parts

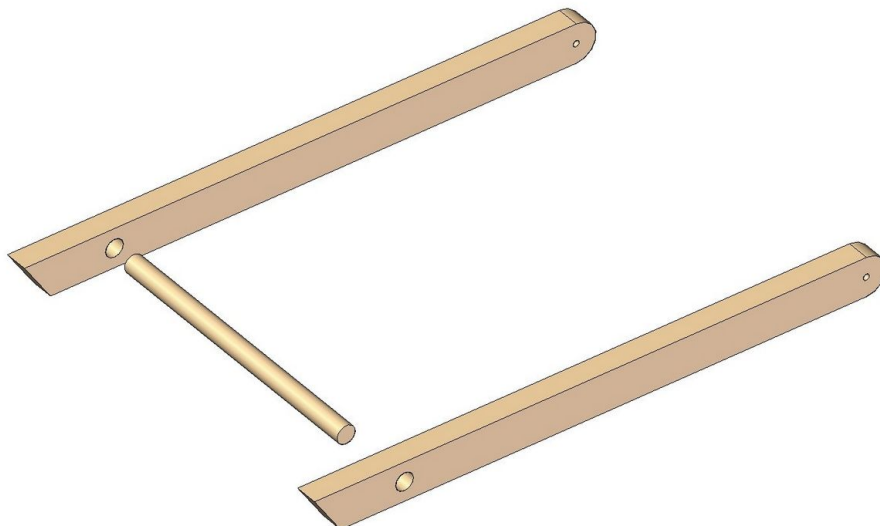


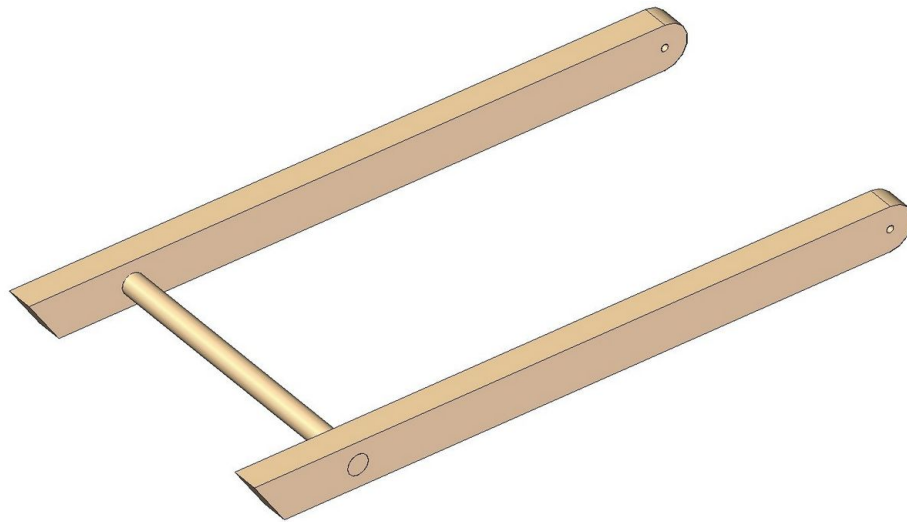
## Assemblage images

1.

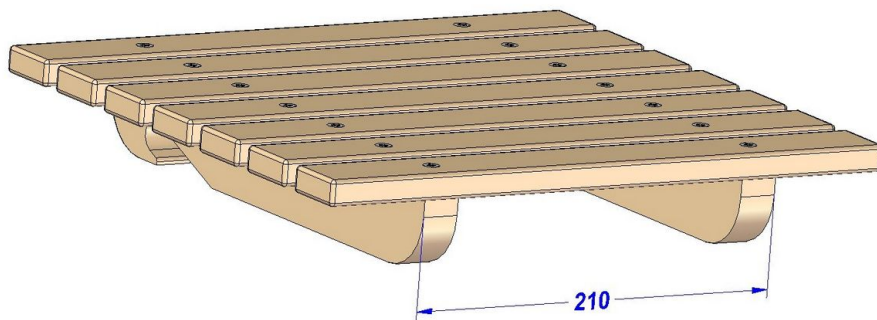
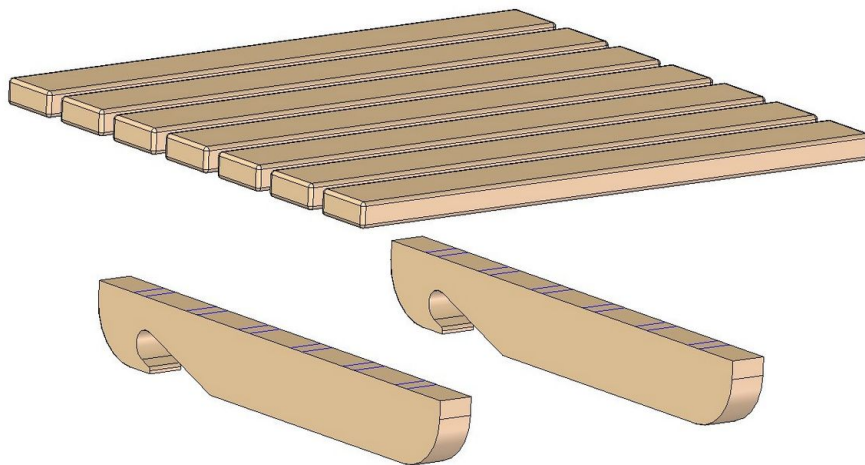


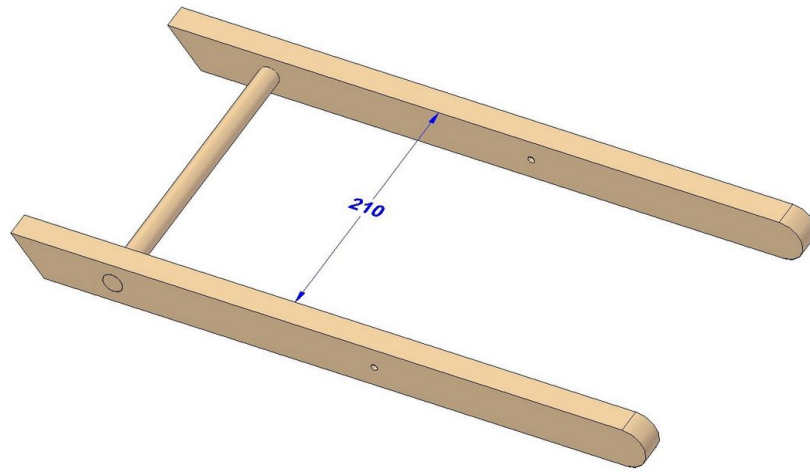
2.



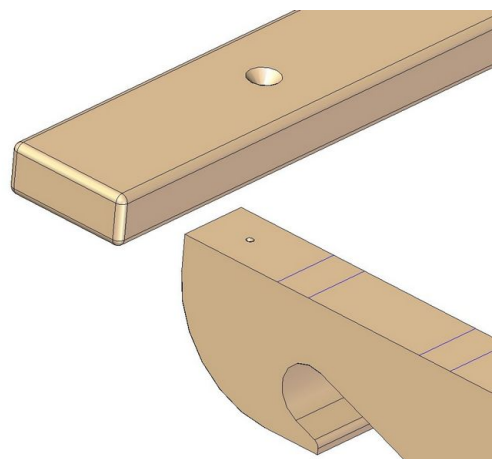
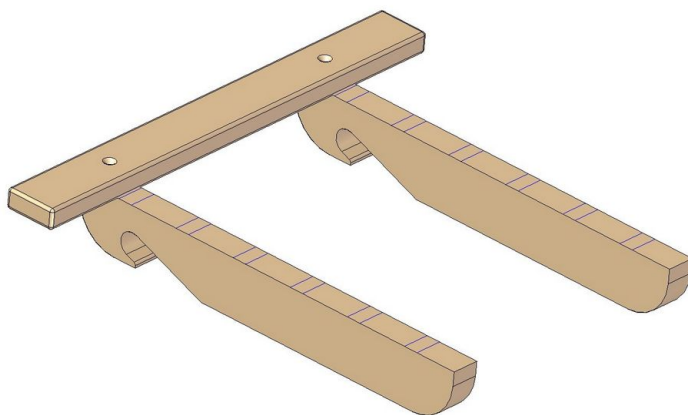
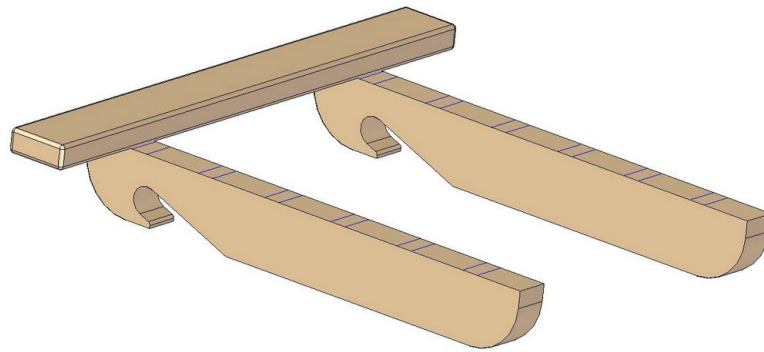


3.

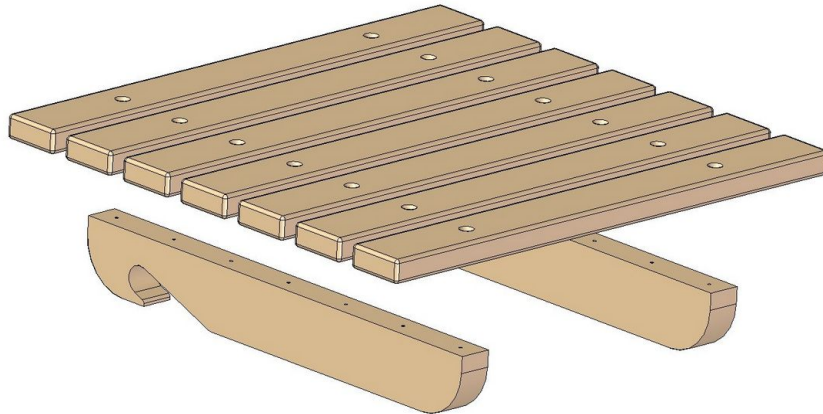




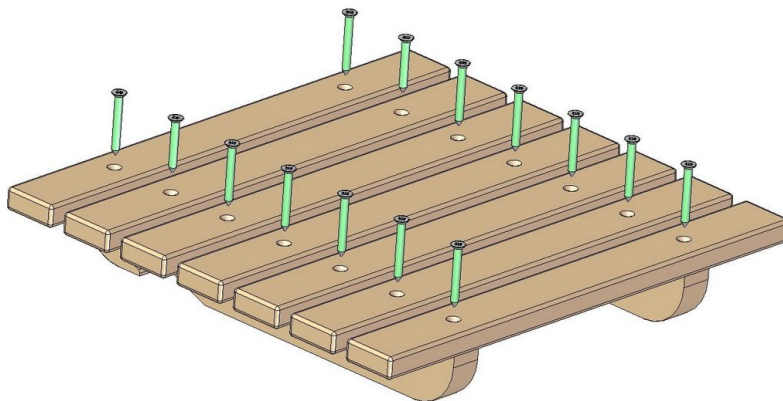
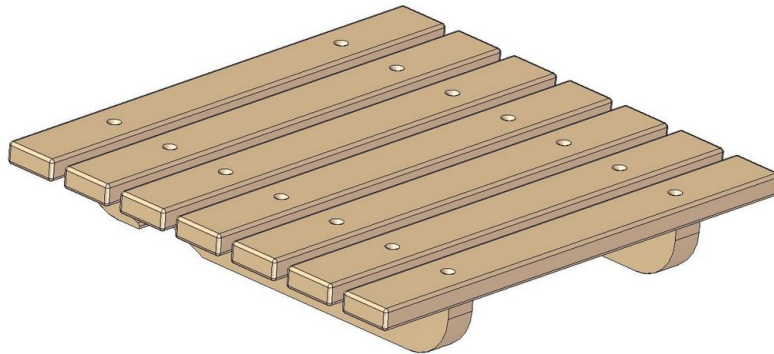
4.



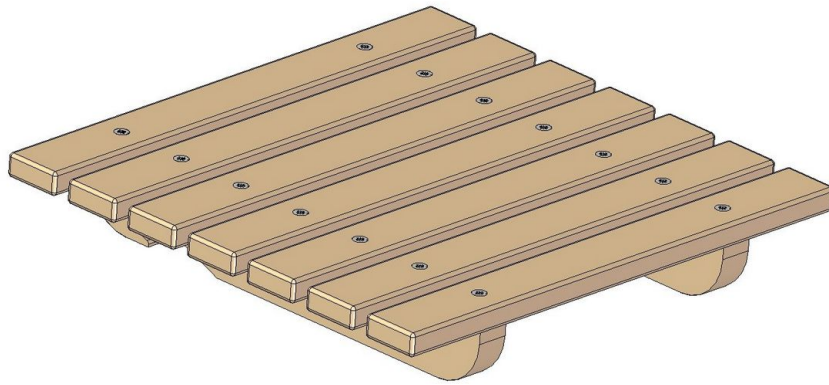
5.



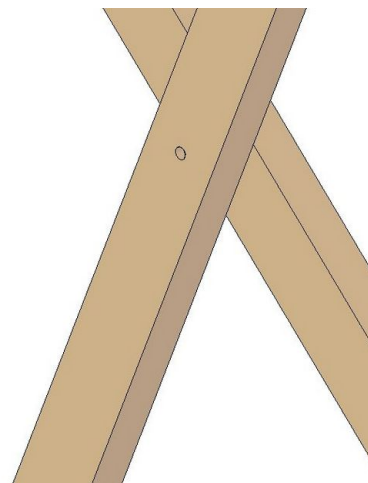
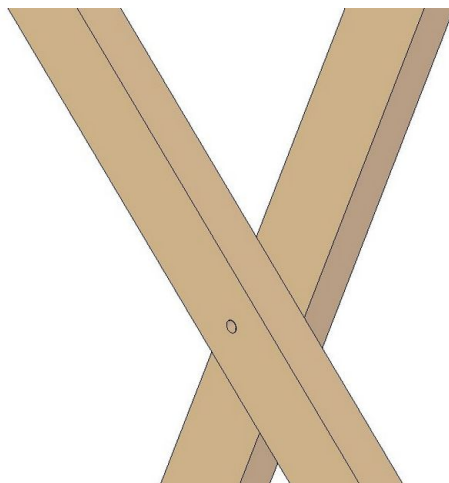
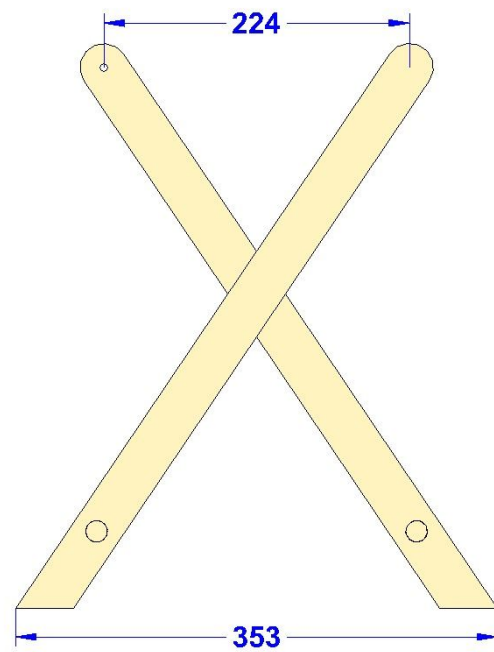
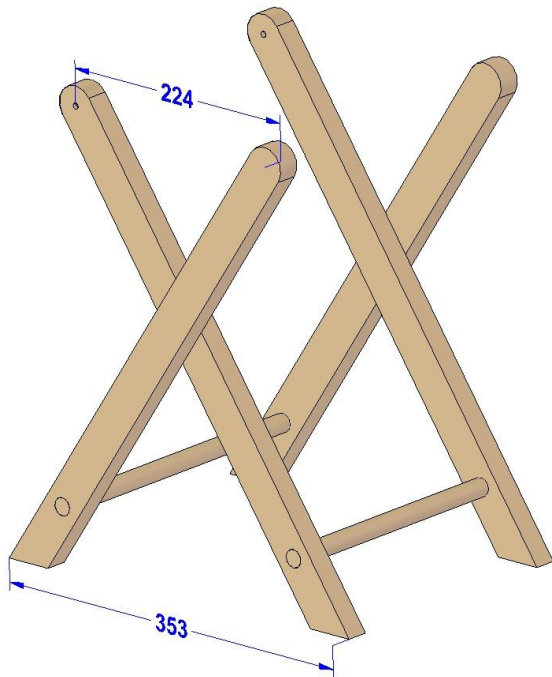
6.





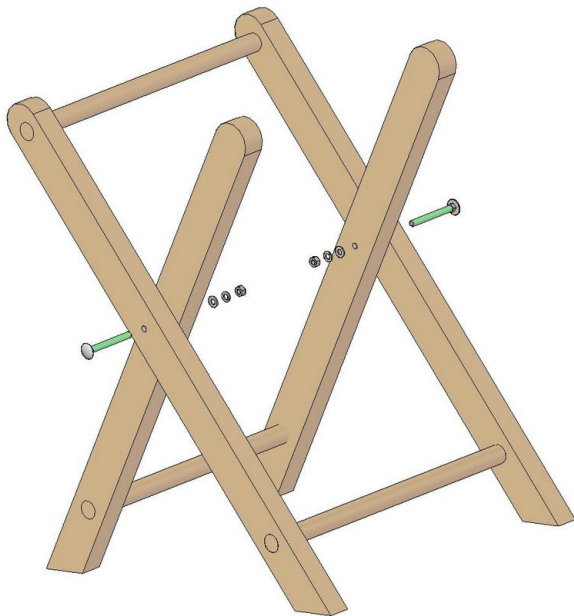
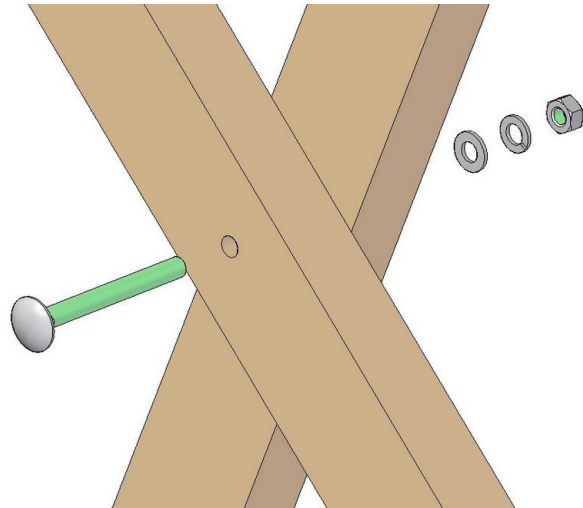


7.

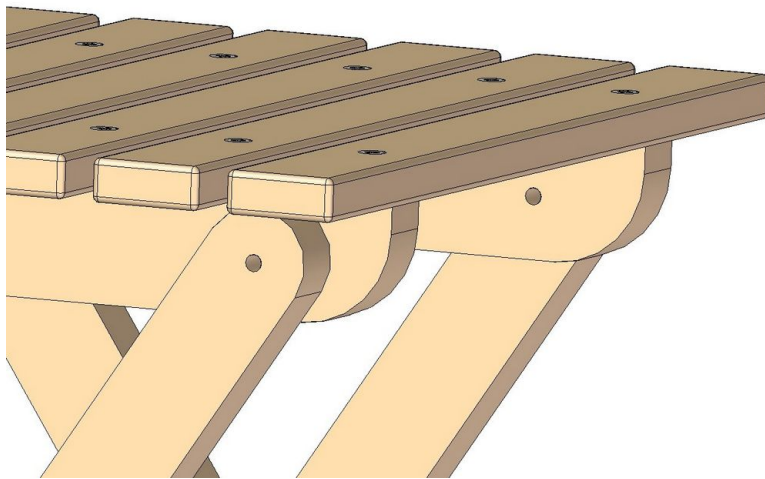




8.



9.



10.

