

## HANGING SIGN PLAN



With this plan, you can create a wrought iron hanging sign that will surely attract guests or customers to your pub, hotel, store...

In this modern times almost every street in the world is decorated with some kind of advertising sign. Most of the hanging signs are ordinary boards containing the shop owner's information to potential customers about the type of their business or prices. Boards like this are for informational purposes only, and are usually blended into a number of similar boards hanging on the same and adjacent buildings.

The hanging sign presented in this plan is intended for traditional inns and pubs, craft workshops, jewelry stores, and the like because it exudes tradition and a good universal taste that people are used to.

As you can see in the picture, the hanging sign is simple and consists of a few parts that can be easily made by bending. It is sufficient to have a little knowledge of metalworking and welding experience to be able to make this hanging sign even in an amateur workshop. In our plan, the parts are welded together, but if you want, you can also use rivets for joining them.

If you like the idea of making a wrought iron hanging sign, but you dislike our design for some reason, you can easily create your own design. You can increase or decrease its overall dimensions; instead of flat bars, the whole hanging sign can be made of round or square bars; more decoration around the sign board can be added; the board itself does not have to be elliptical like in our plan, but in the shape you prefer. Pay attention not to over-decorate your hanging sign, as the most important thing is that it is noticeable and 'easy on the eye', so that potential customers read the information you want them to read.

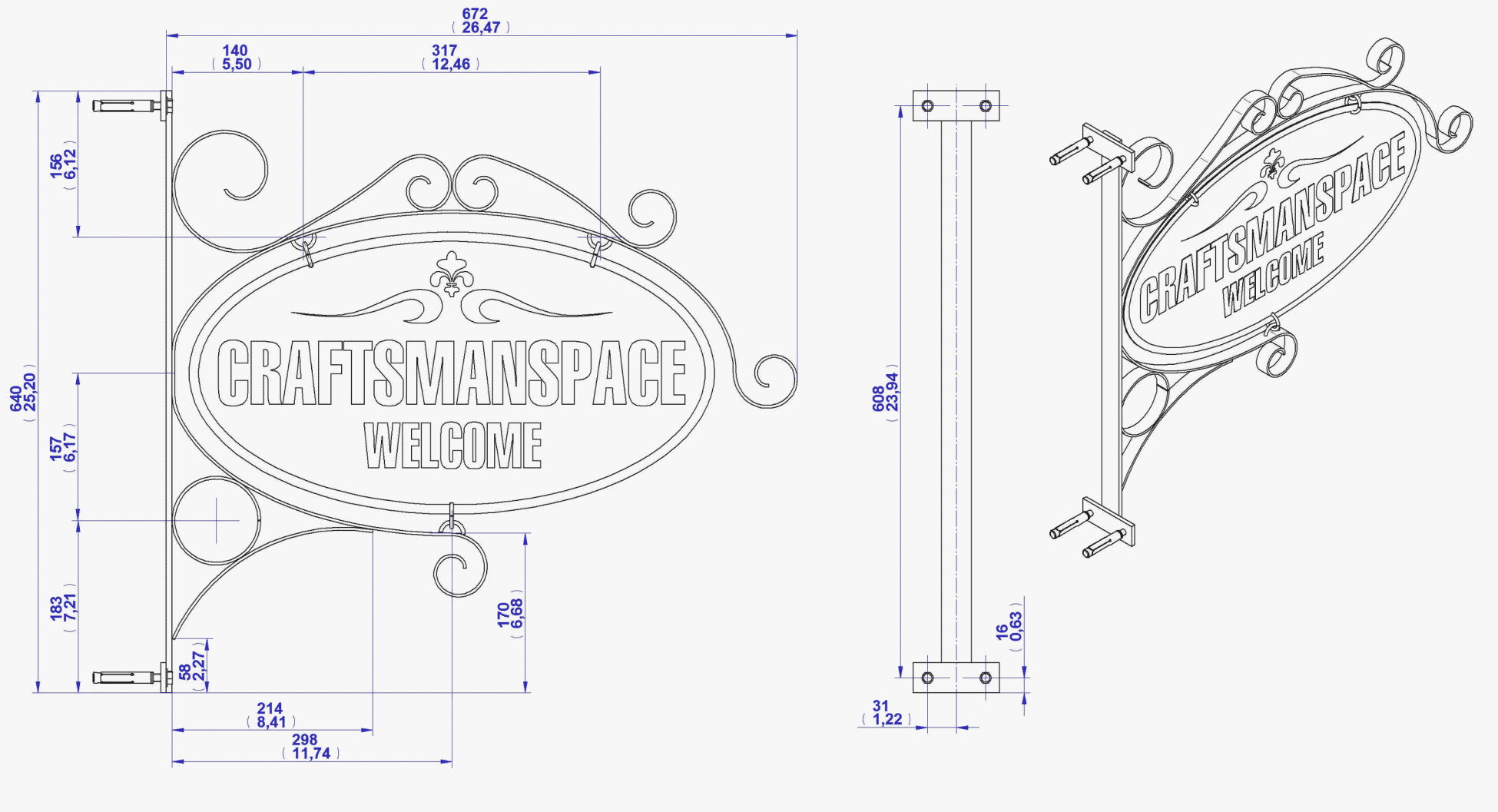
All the necessary dimensions and drawings to create this hanging sign can be found within the plan available, either in PDF format or high resolution images. If you don't know how to make the wrought iron hanging sign by yourselves, you can give the plan to somebody who can do it for you. Nowadays, this kind of signs are quite cheap because wrought iron decorative parts can be purchased as finished products. What we want to say is, this sign won't be too expensive even if you pay someone skilled to make it instead of you.

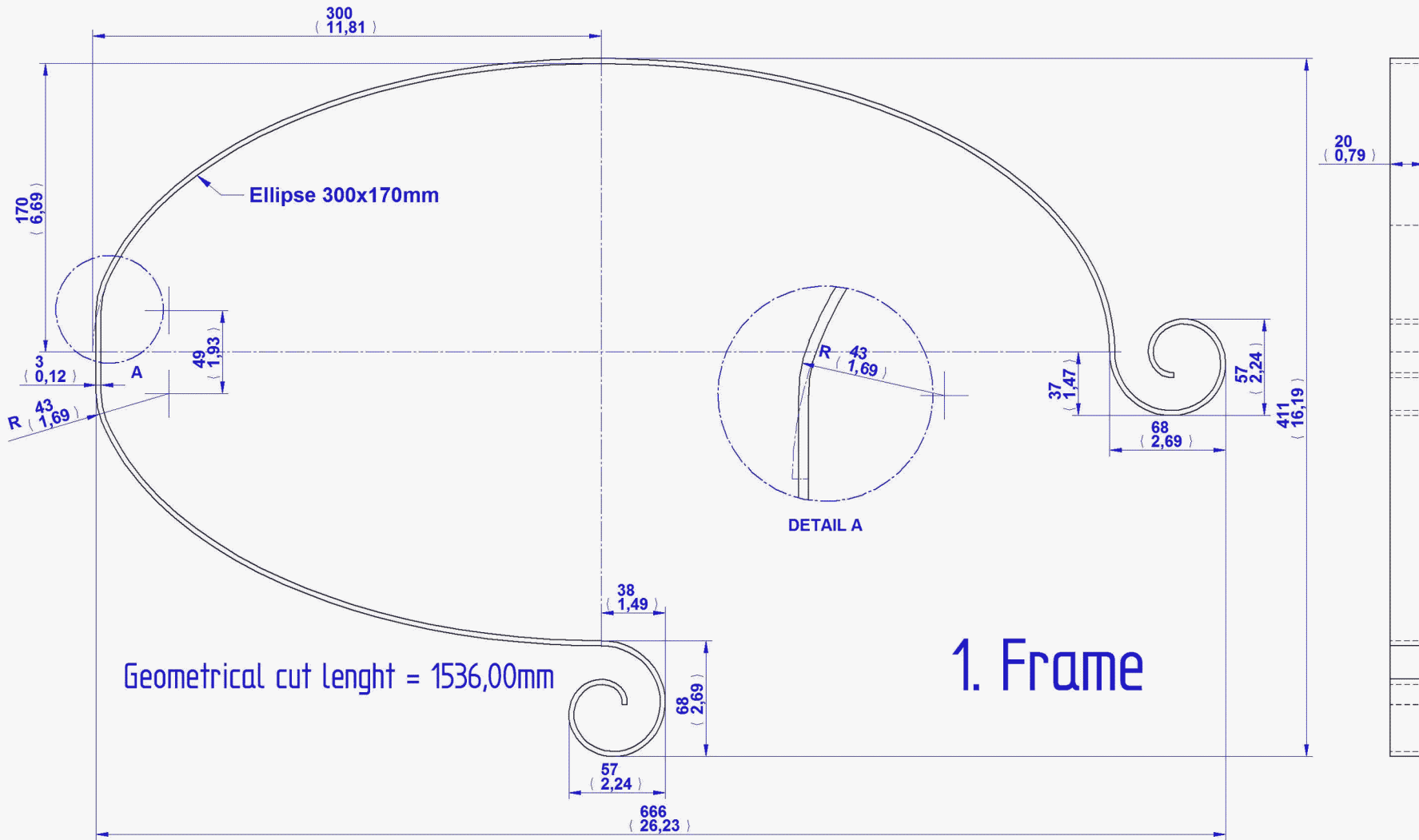
## Parts List

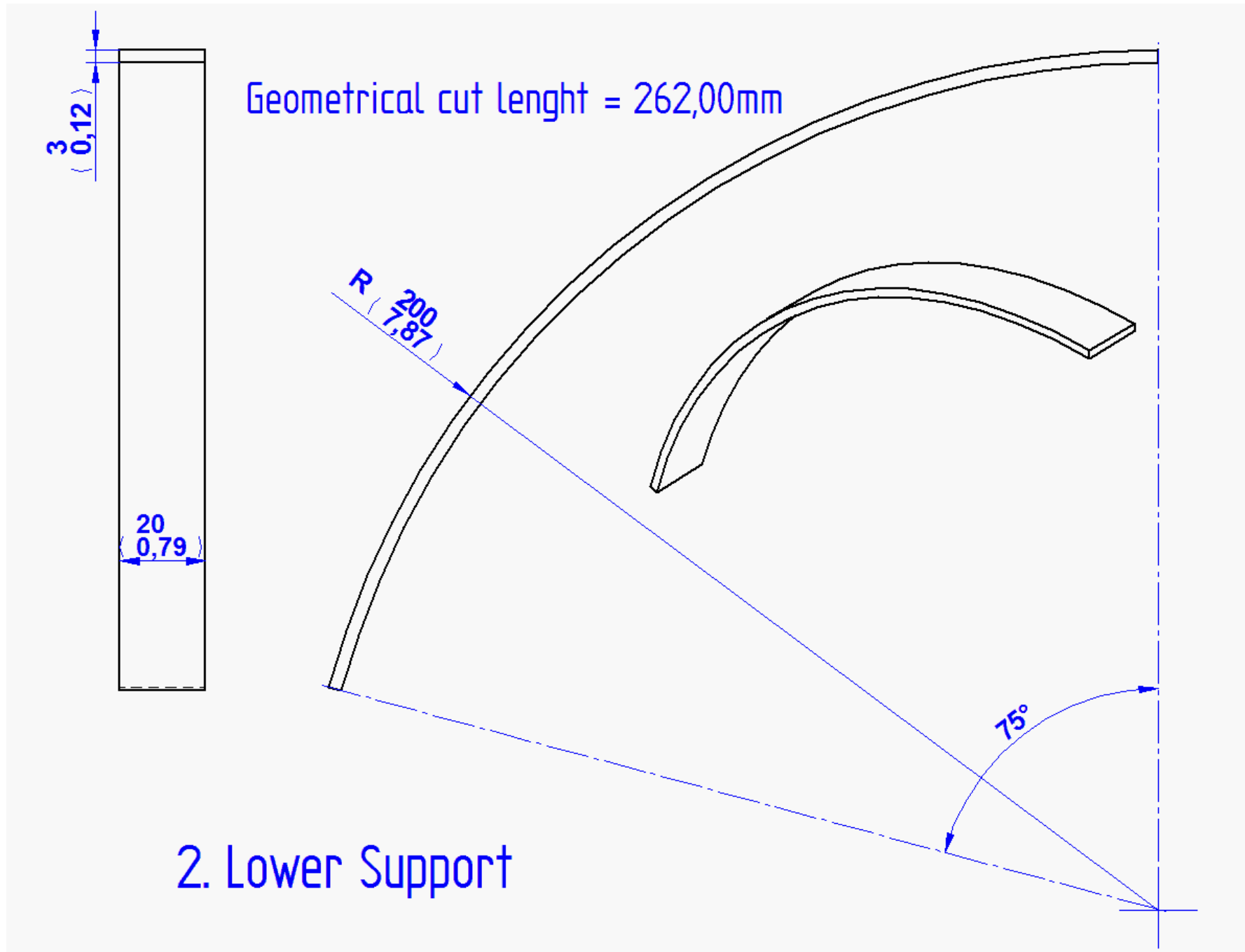
Item Number	Title	Material	Quantity	Category
1	Frame	Steel	1	
2	Lower Support	Steel	1	
3	Circle	Steel	1	
4	Big Spiral	Steel	1	
5	Small Spiral	Steel	1	
6	Vertical Support	Steel	1	
7	Wall Support	Steel	2	
8	Table Holder	Steel	3	
9	Hook	Steel	3	
10	Sign Table	Steel	1	
11	Fischer	Steel	4	Standard Part
12	Hexagon BoltM8x70mm	Steel	4	Standard Part

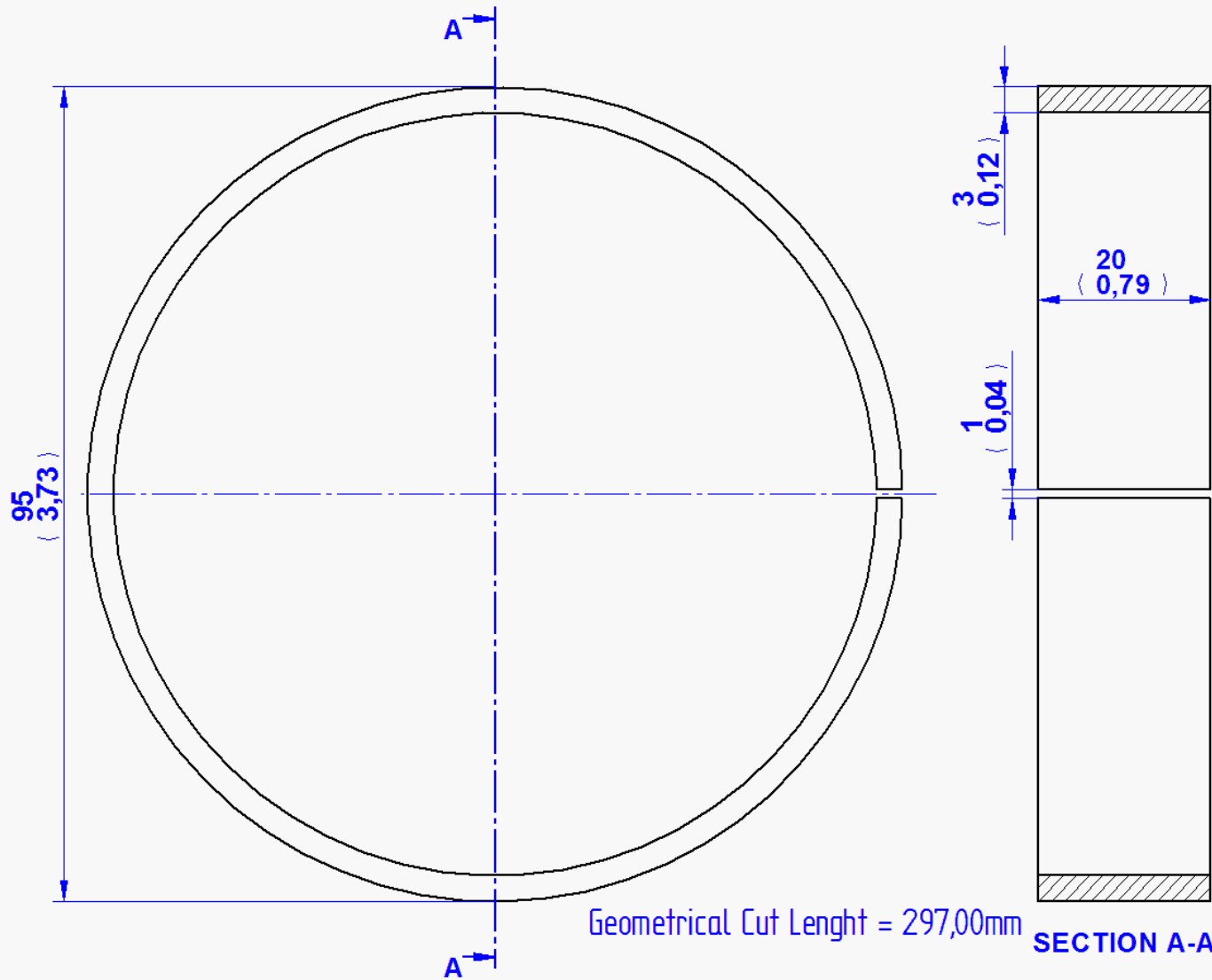


## 2D Documentation

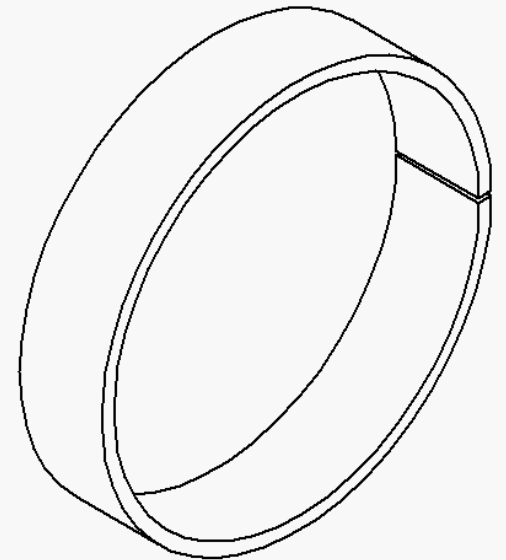






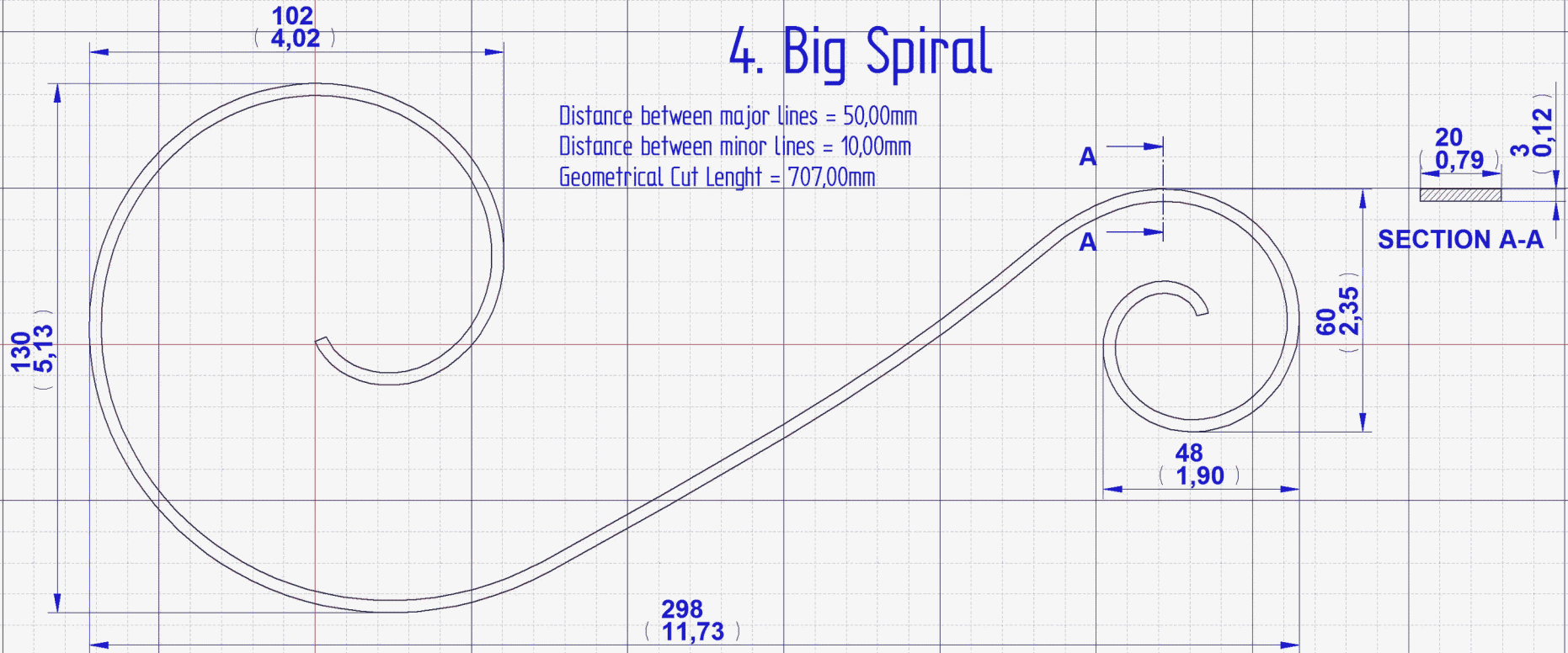


3. Circle

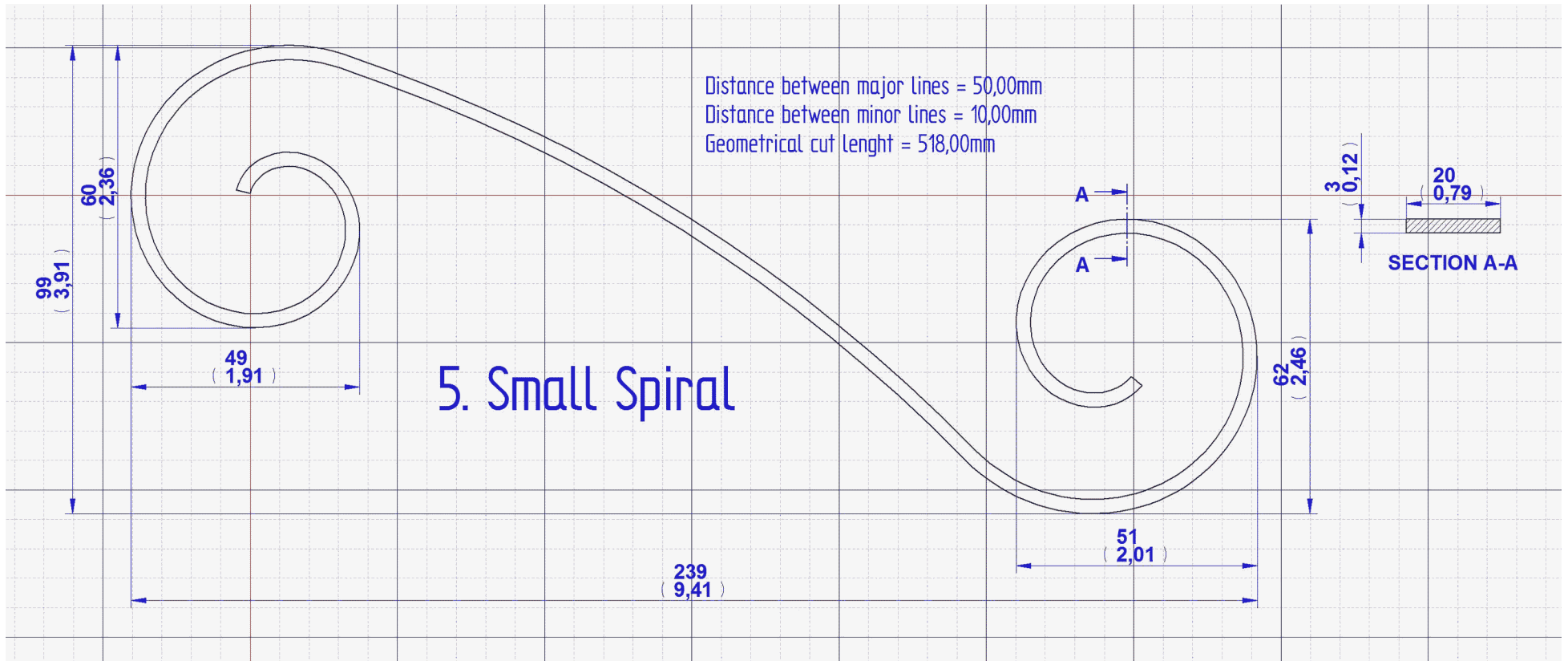


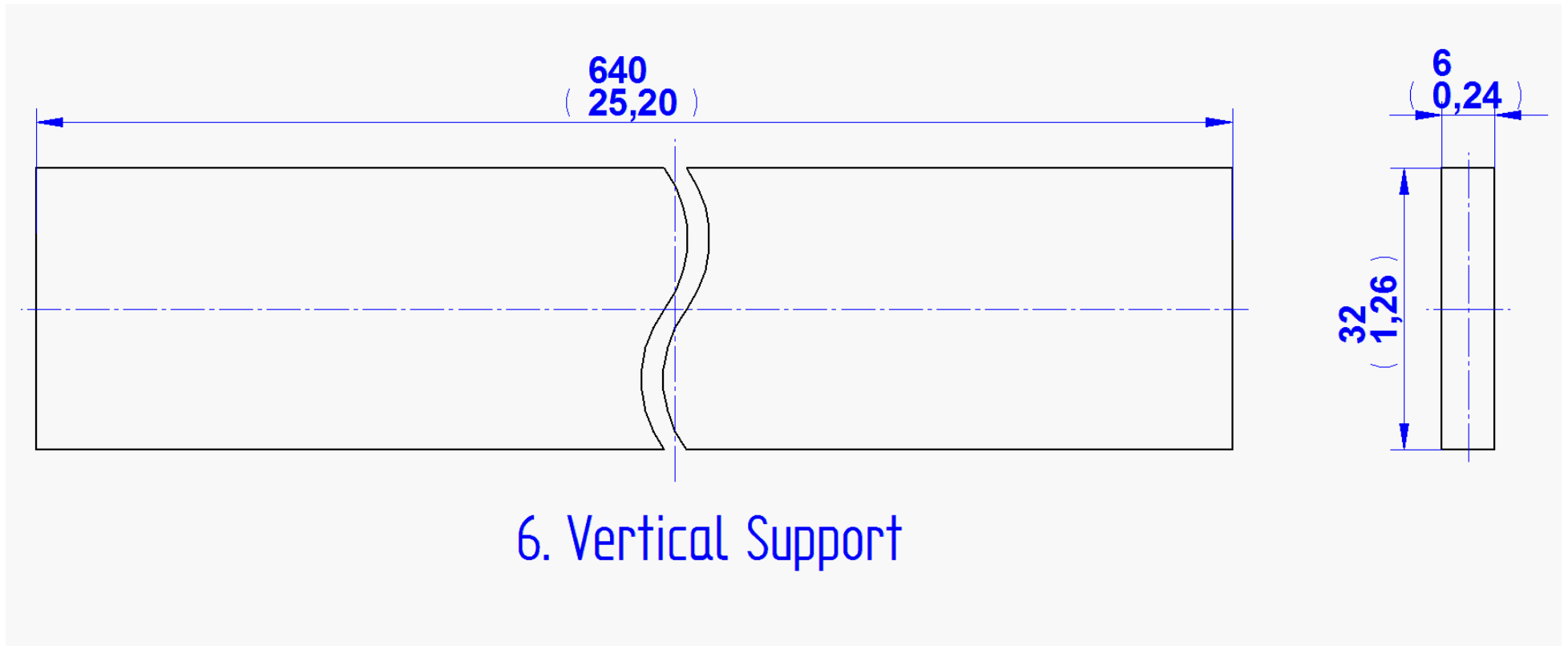
# 4. Big Spiral

Distance between major Lines = 50,00mm  
Distance between minor Lines = 10,00mm  
Geometrical Cut Length = 707,00mm

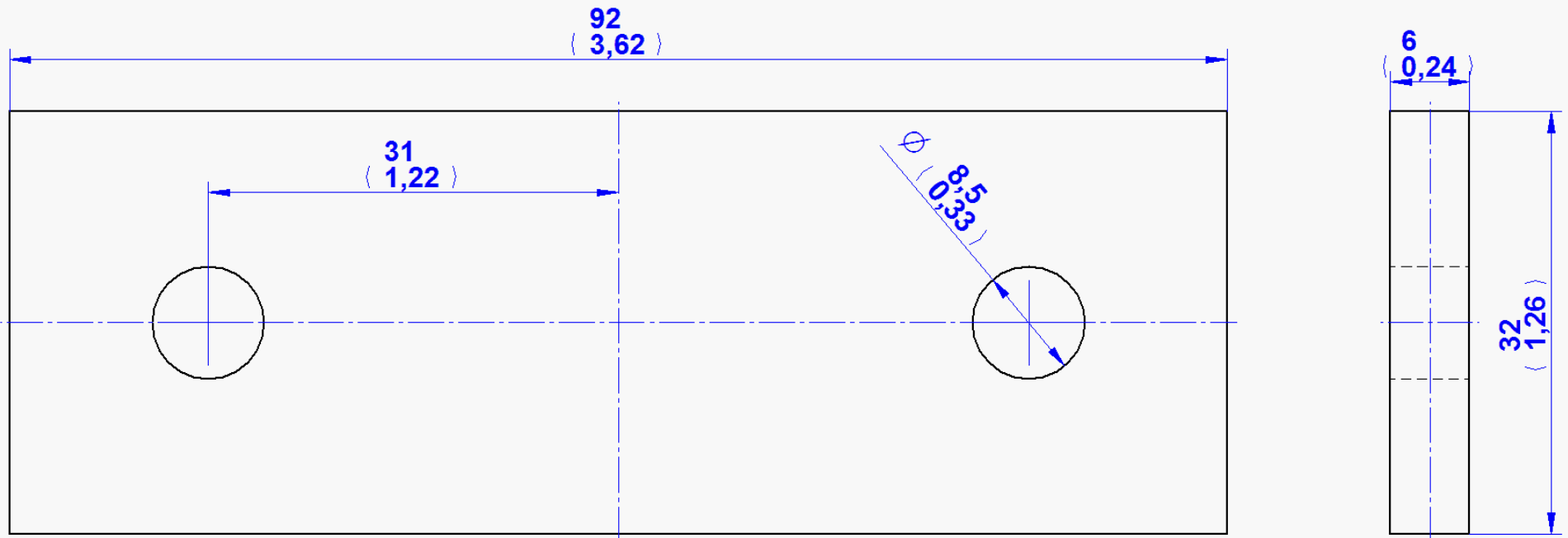




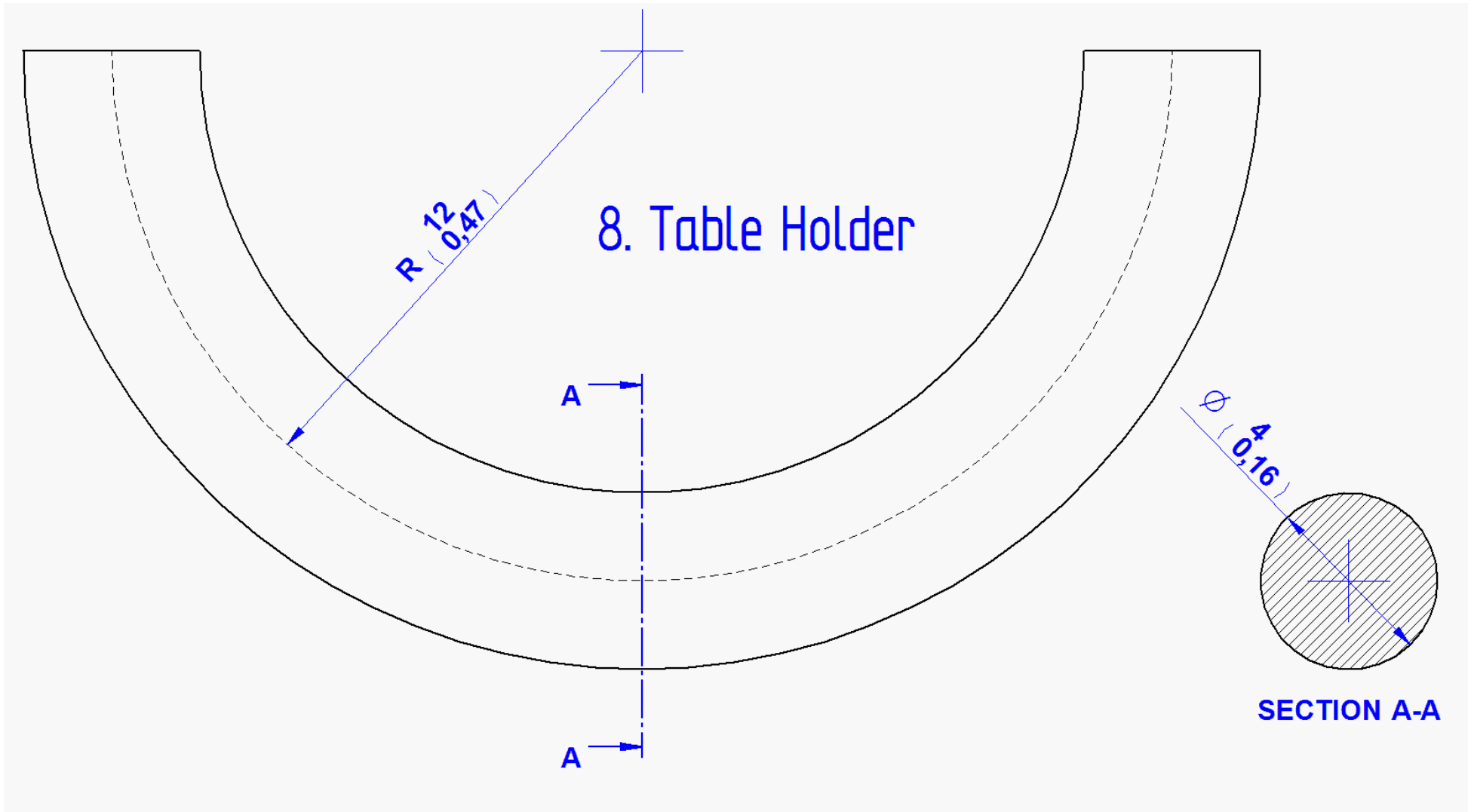


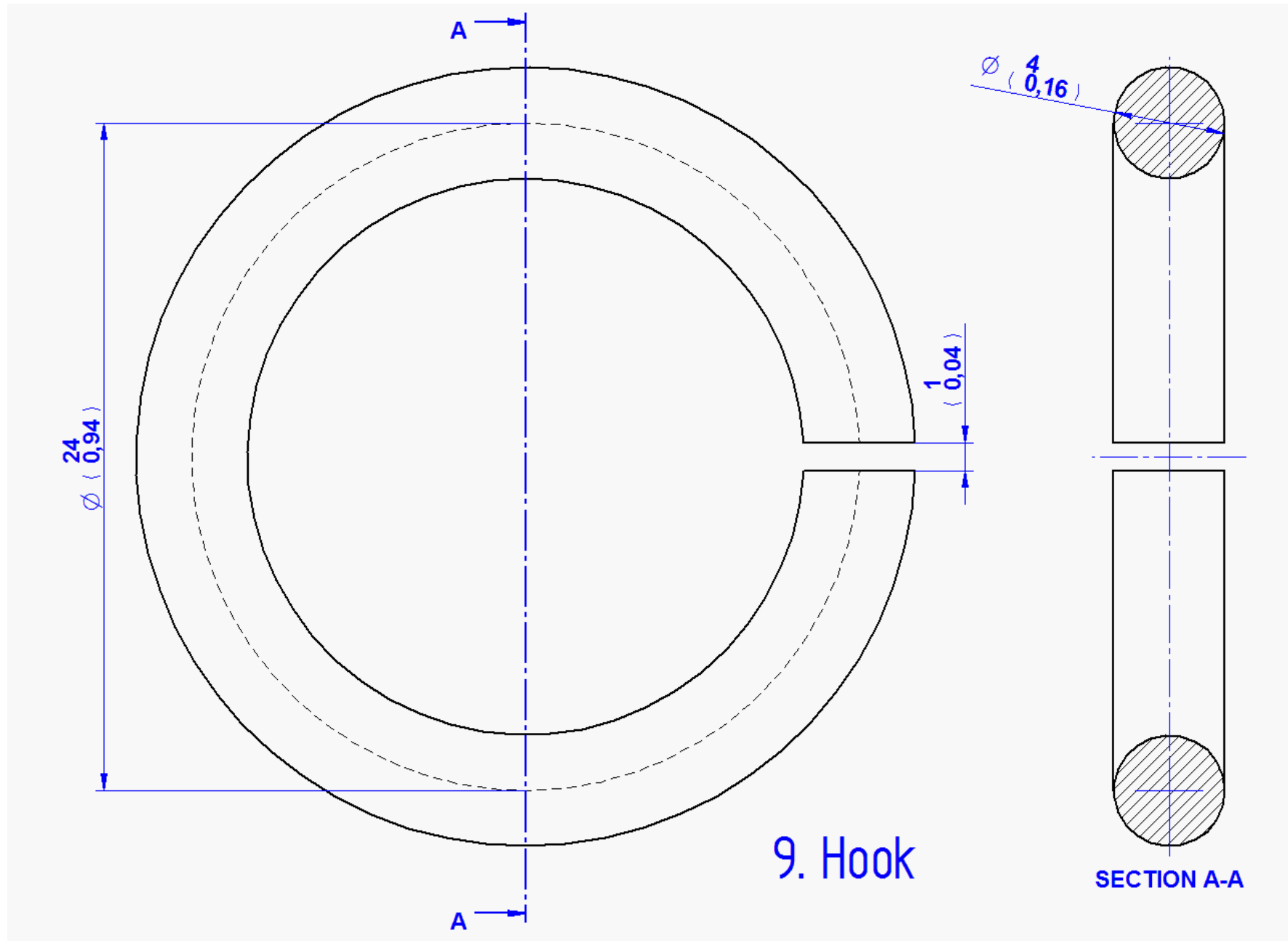


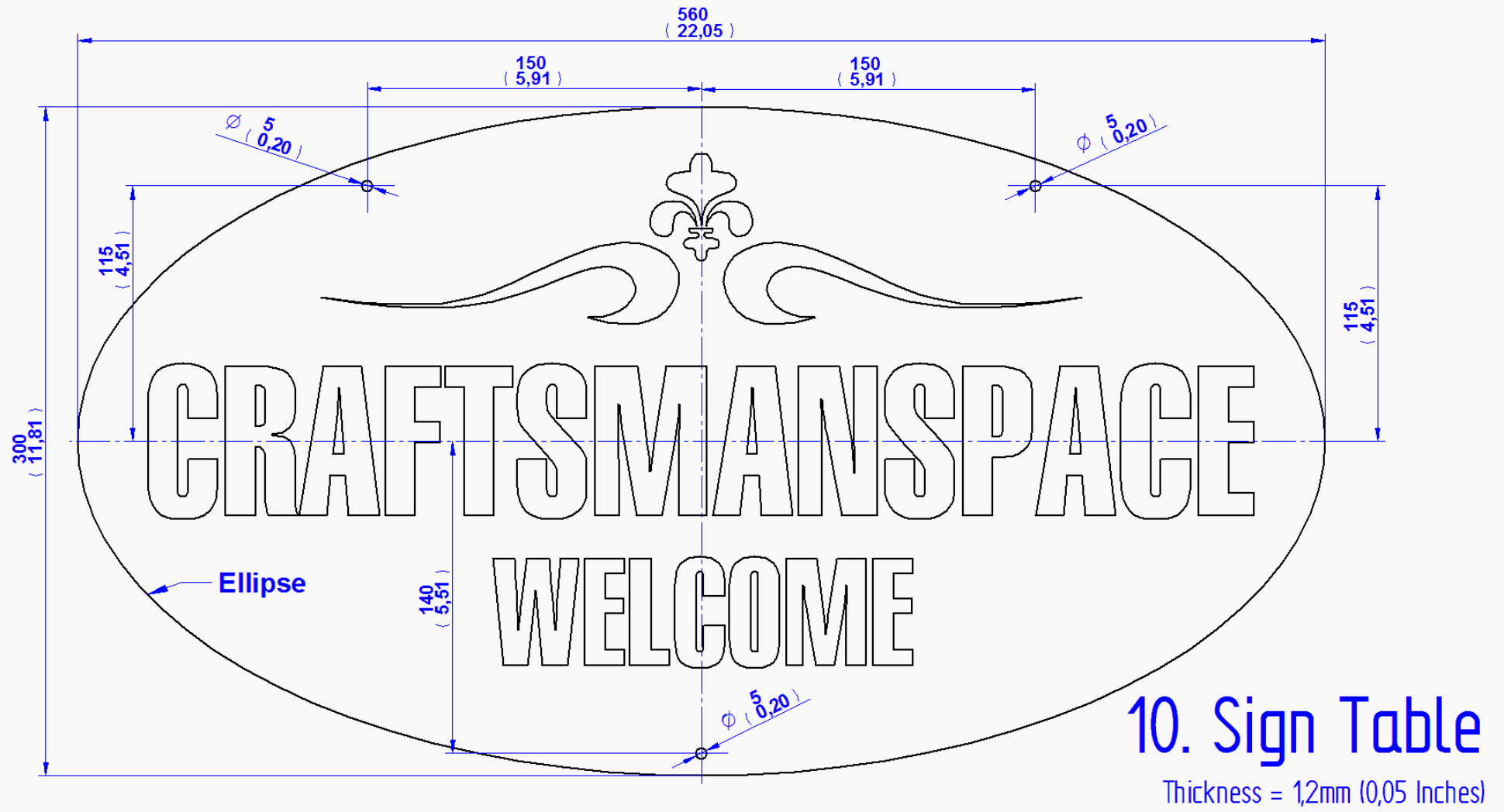
6. Vertical Support

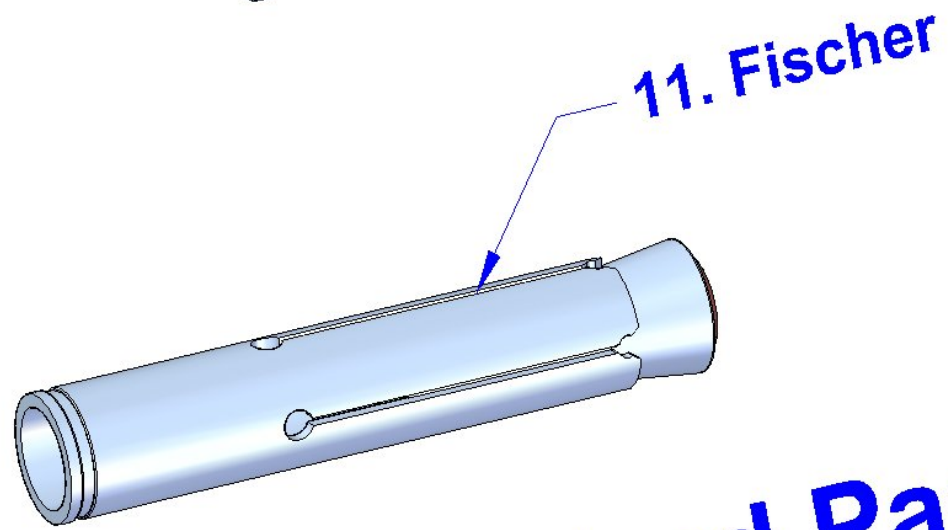
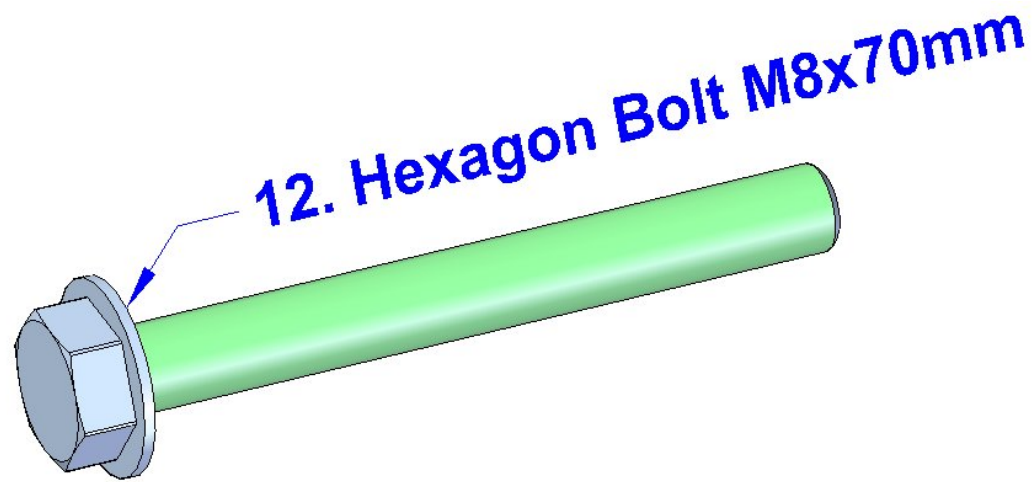


## 7. Wall Support





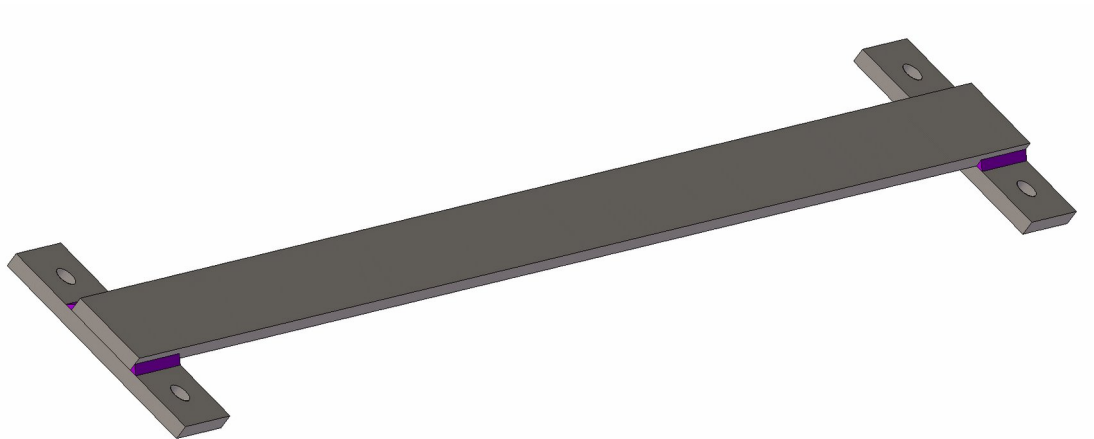
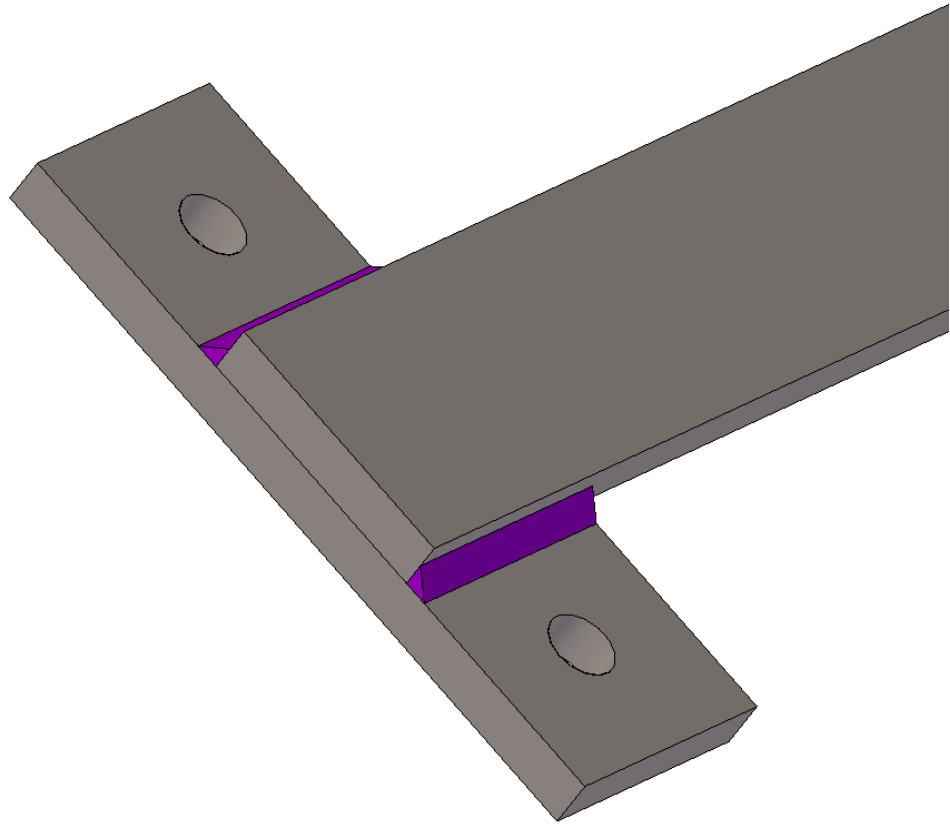




**Standard Parts**

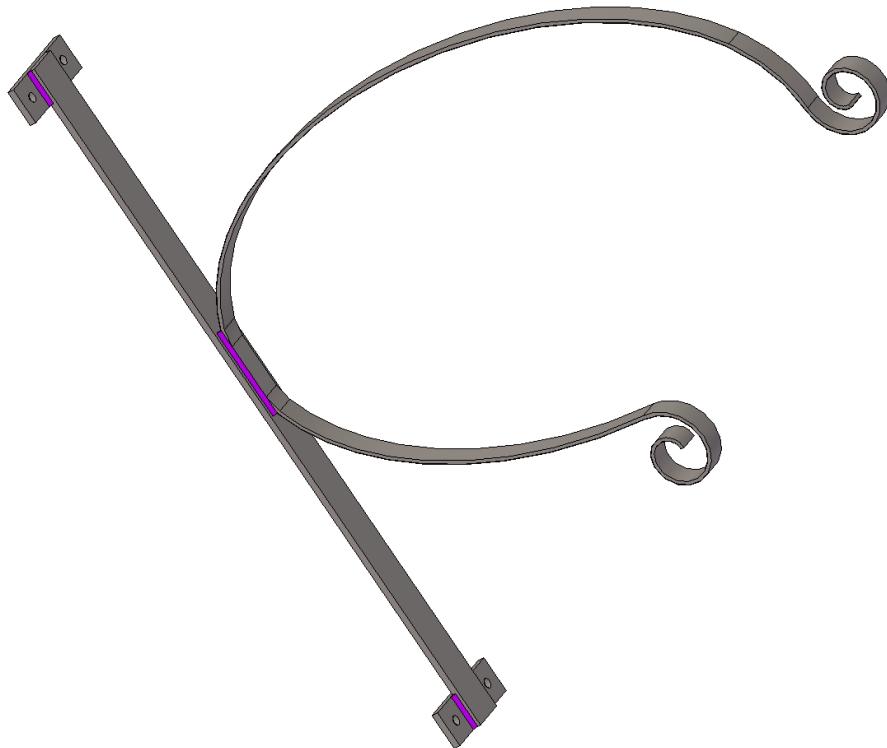
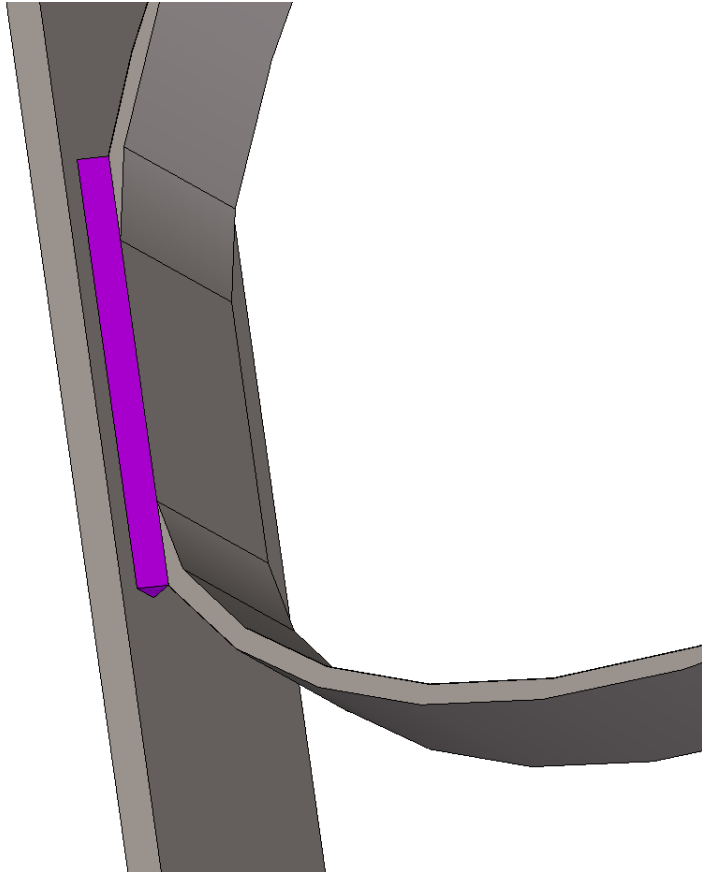
## Assemblage images

1.



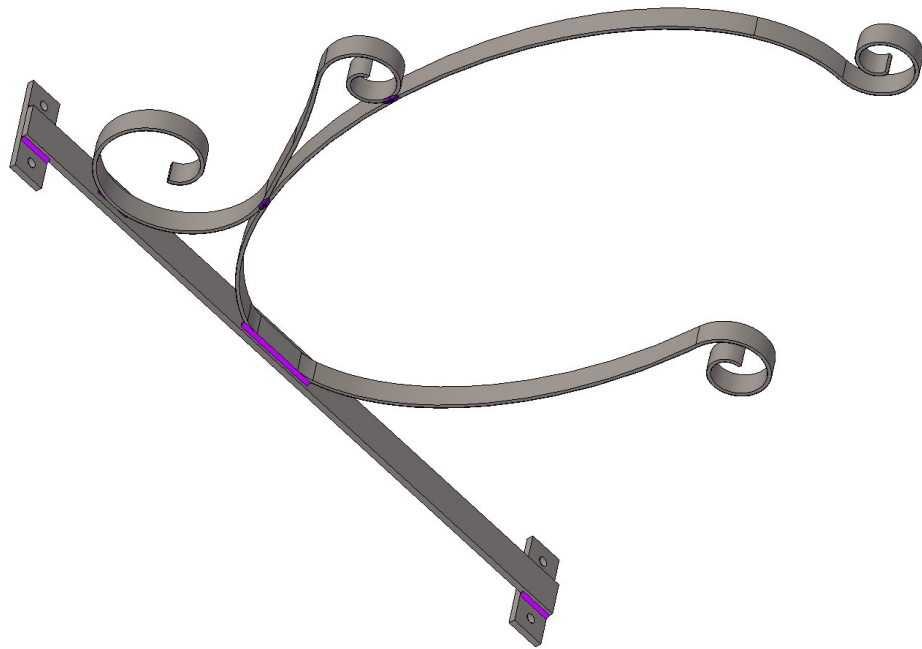


2.

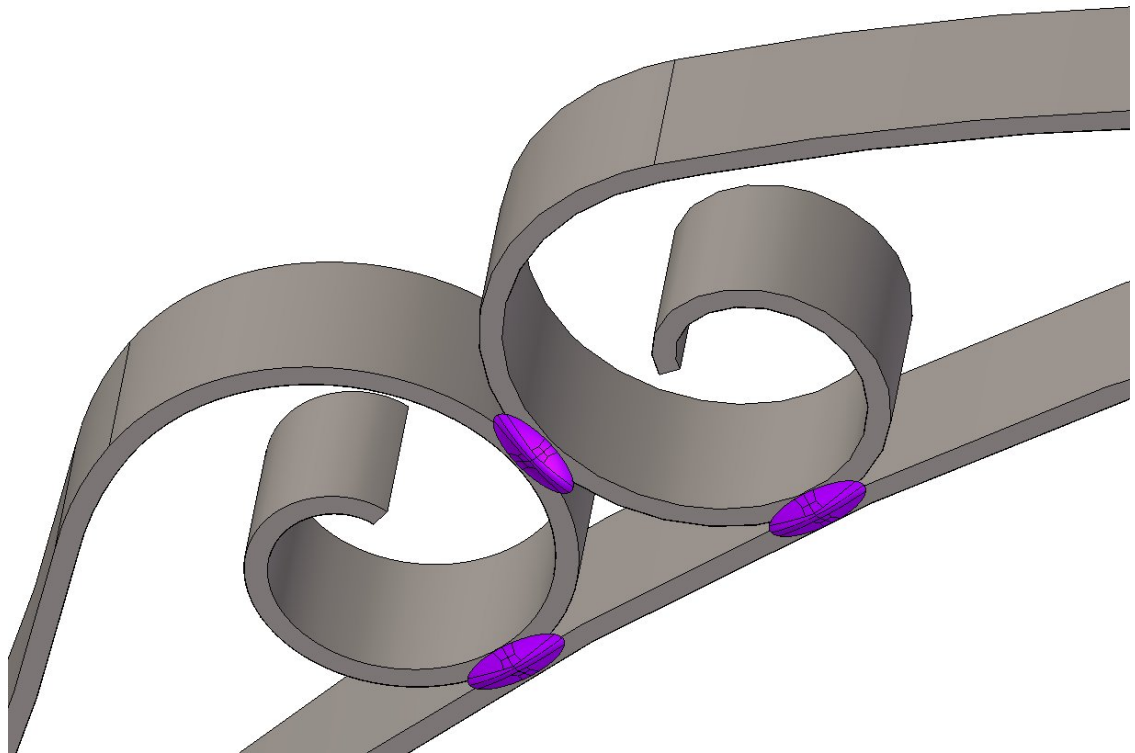


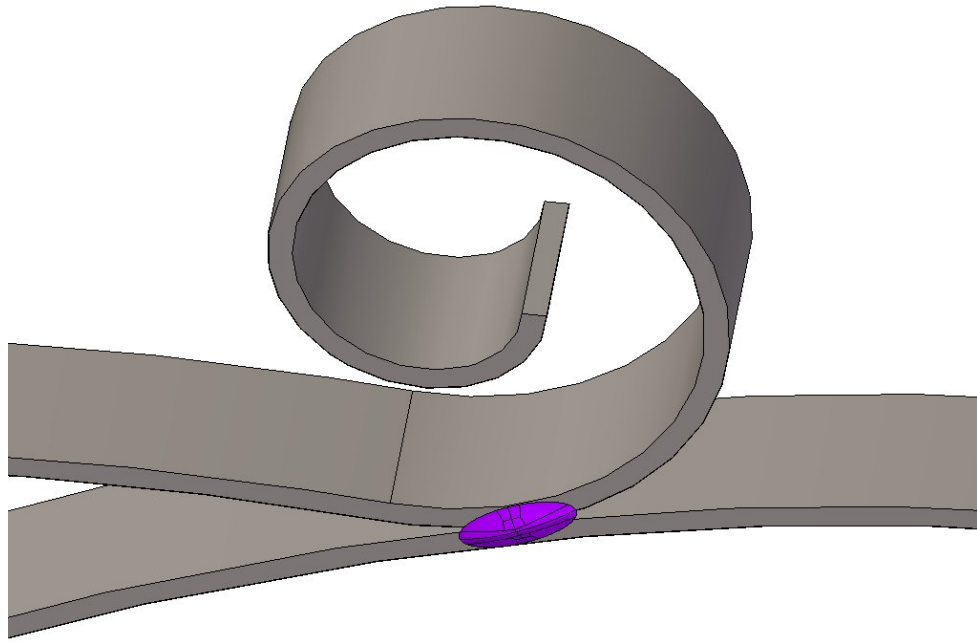
3.



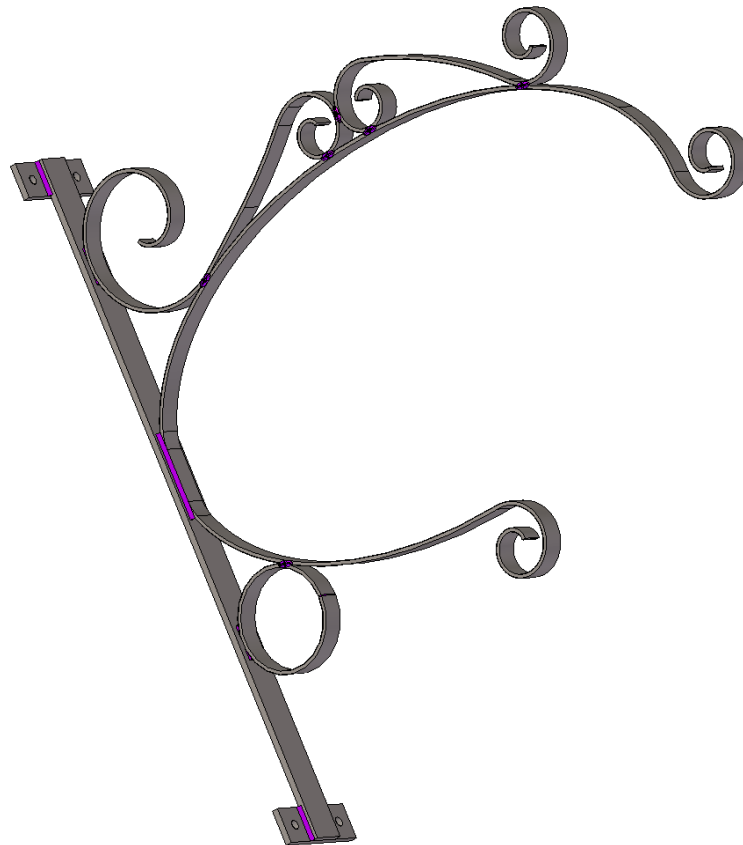
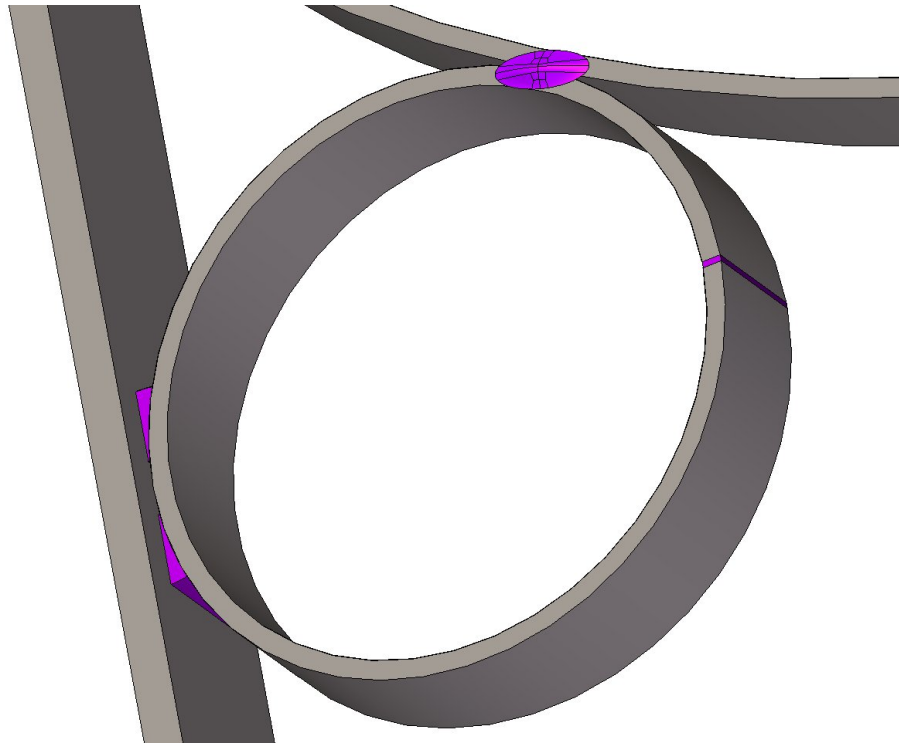


4.

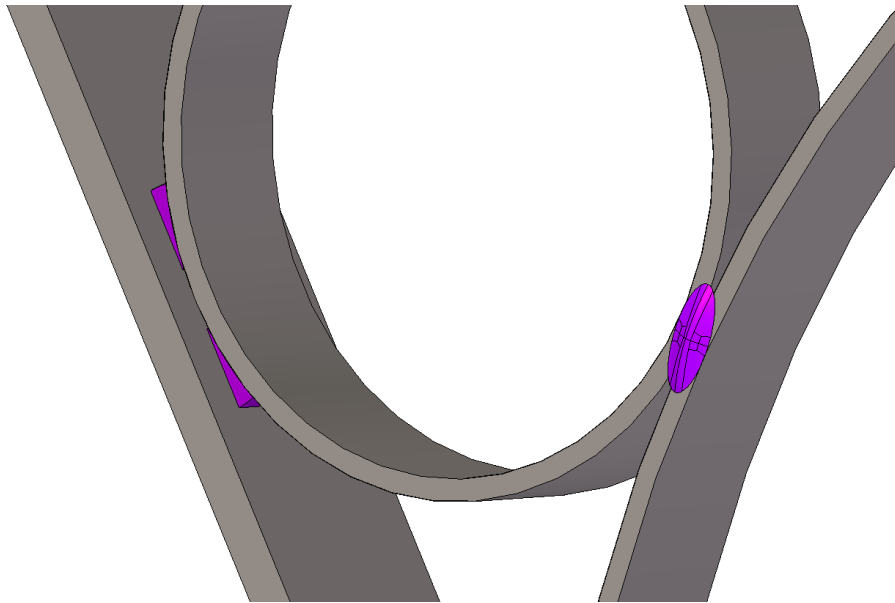
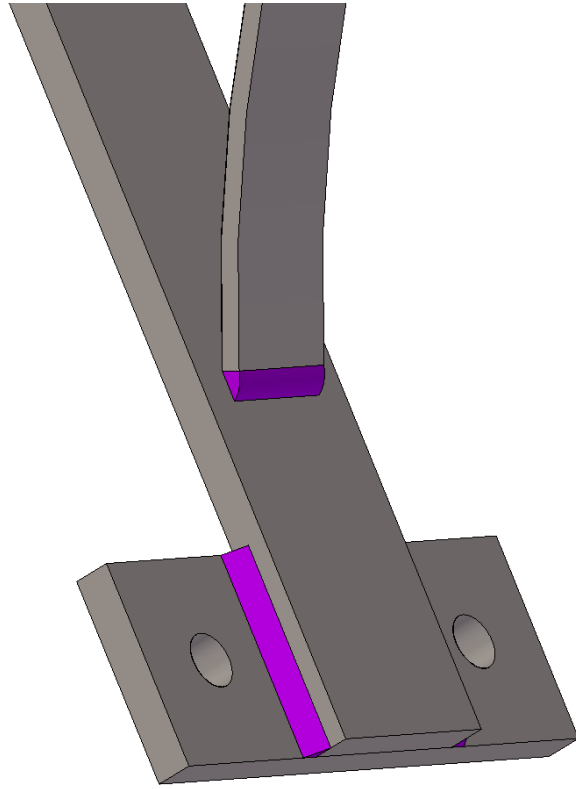


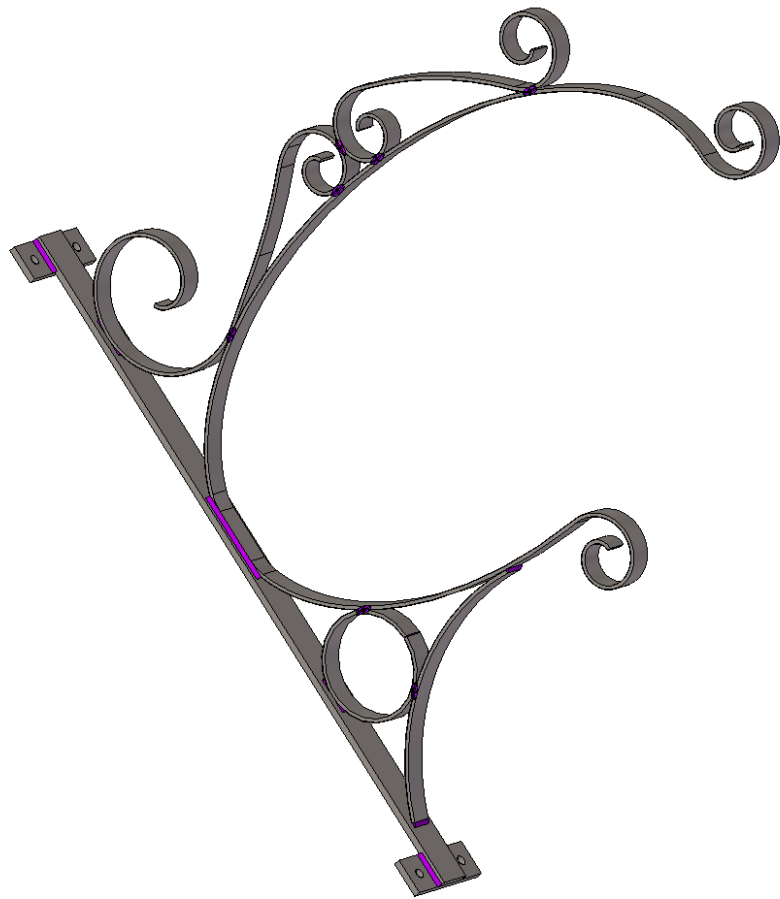
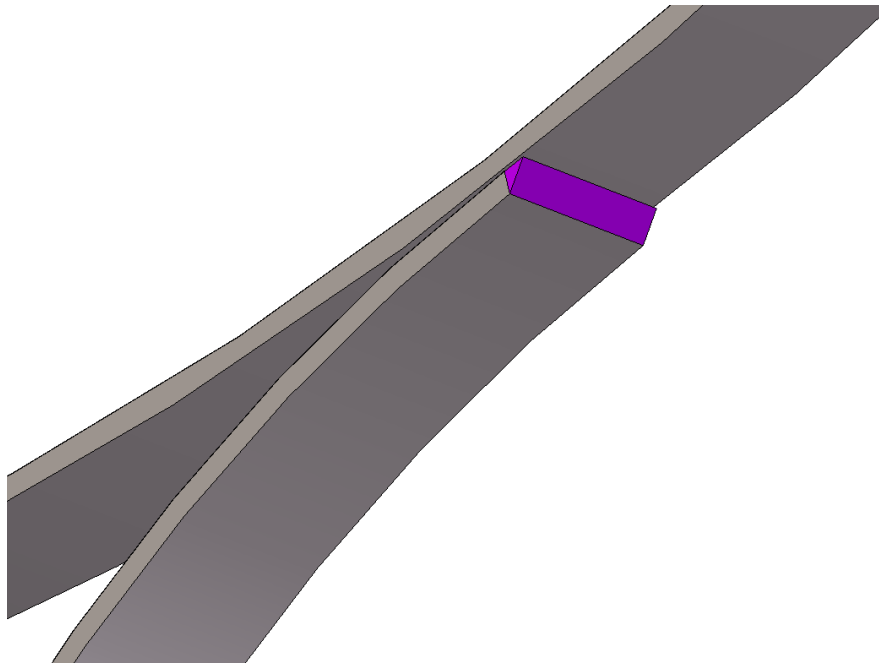


5.



6.







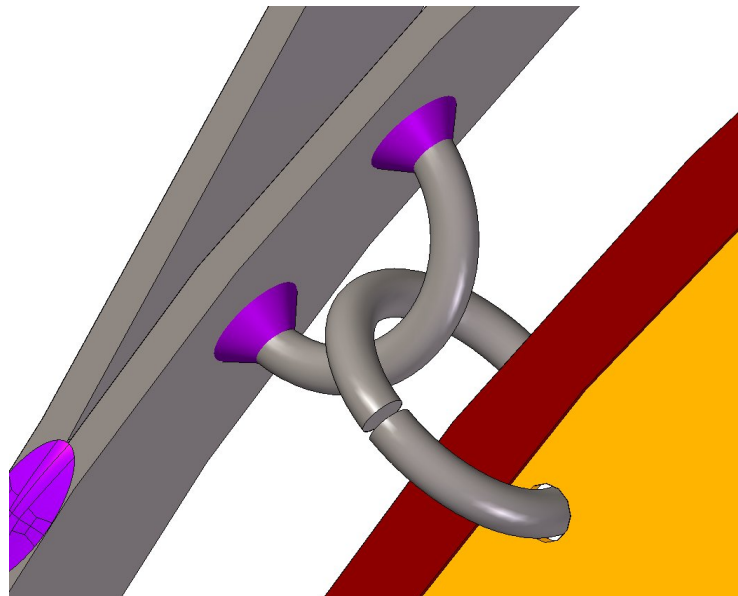
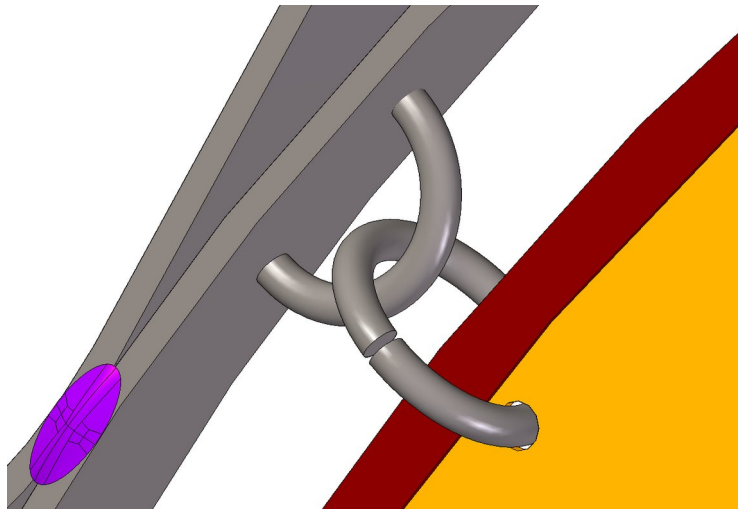
7.







8.





9.

