

Horse drawn wagon flower pot stand plan

Here is a plan for the making of a plant holder that we call the 'Wild West carriage', since it looks very similar to the carriages used during the American Wild West period (ca. 1865-1895).

The whole plan is based on the 'garden coach plant holder plan', we have only changed its upper-level sub-assembly called the 'flower box' where flower pots are to be placed. As you can see in the picture, the carriage plant holder looks very nice and will fit well in almost every garden.



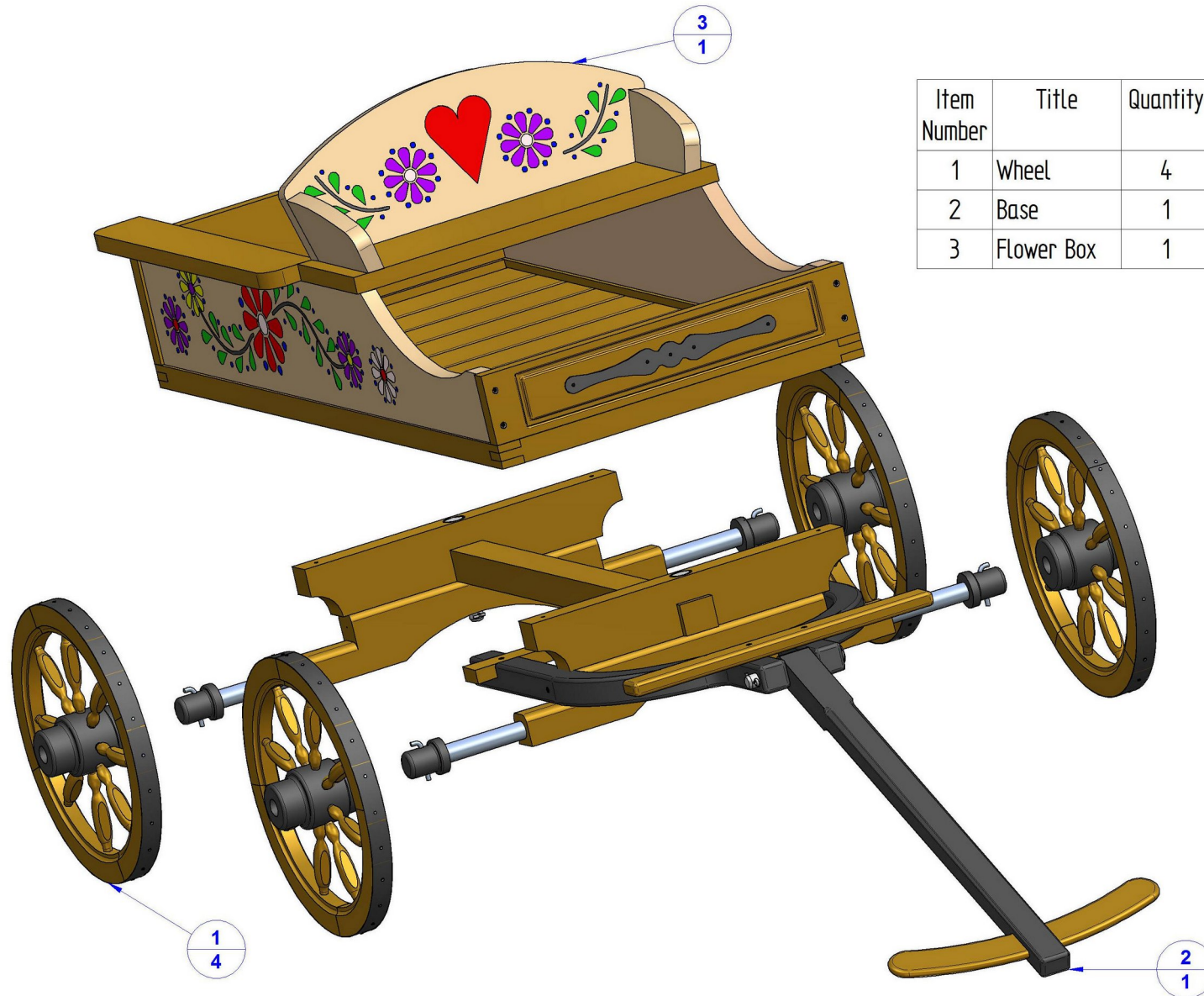
In no time we have created a rendered image (with wood texture and painted flowers) in order to show how beautiful this carriage can be. As we also have noted for the coach plant holder, this project is not the simplest one; it requires a lot of your knowledge and time, but the end result can make you feel really proud of yourselves! In order to make it easier on the drawings, the entire assembly has been divided into 3 sub-assemblies (wheel, base i flower box). The plan contains a parts list, an exploded view and drawings of sub-assemblies and all the parts with the dimensions and views needed.

The finished carriage needs to be well protected against weather influences, and since you can easily disassemble it, put it aside somewhere dry during the winter/rainy season.

All the pots that you are going to keep on the carriage pot holder must have coasters underneath, so as to protect its surface when watering the flowers and thus make it more durable.

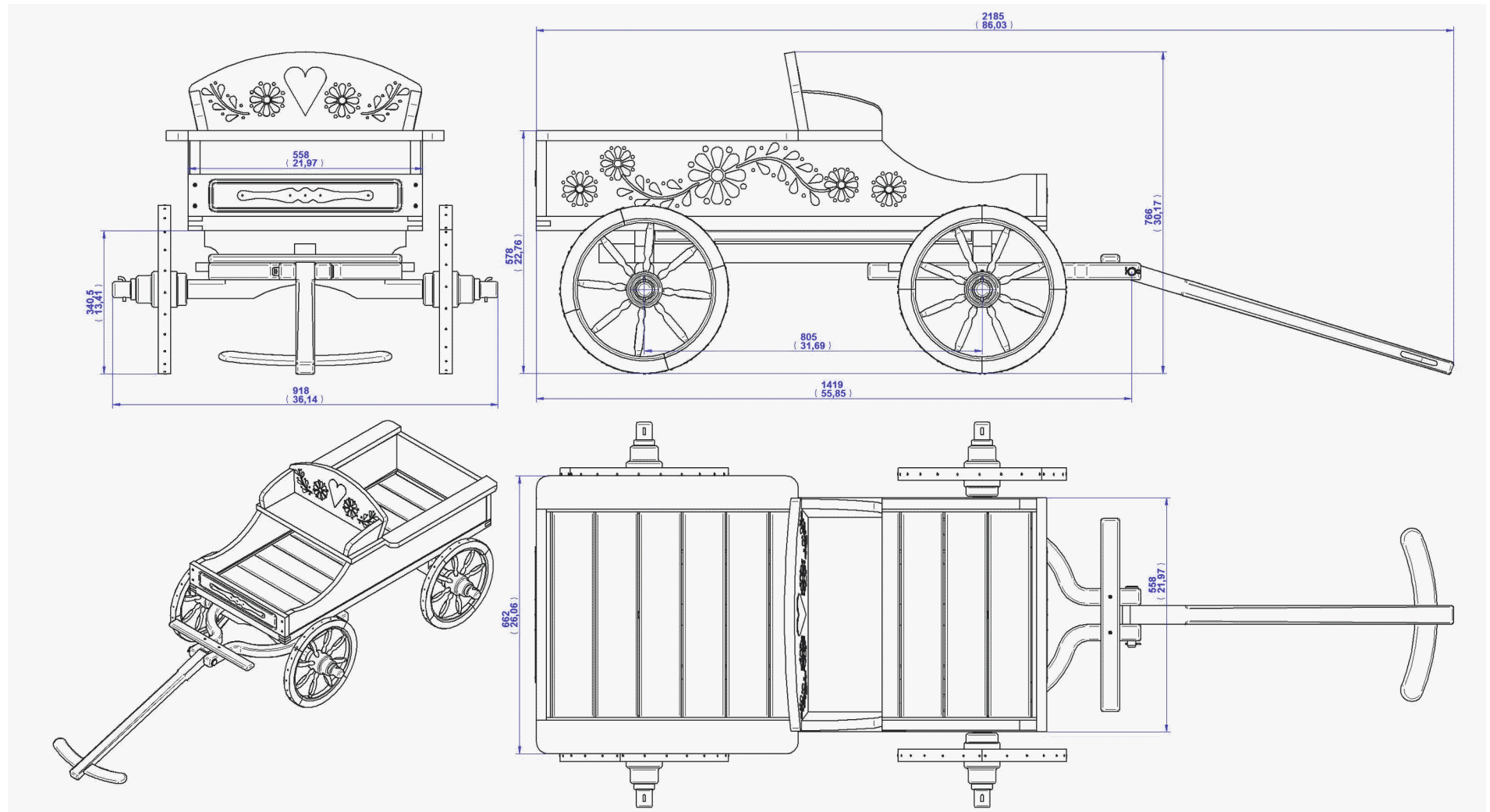
Be cautious when it comes to the final decorating of the carriage and choose carefully the types of flowers you will keep on it. If you apply too much paint, and if the decorated surfaces are covered with too many flowers, you will probably not be satisfied with the result.

Sub-assembly list

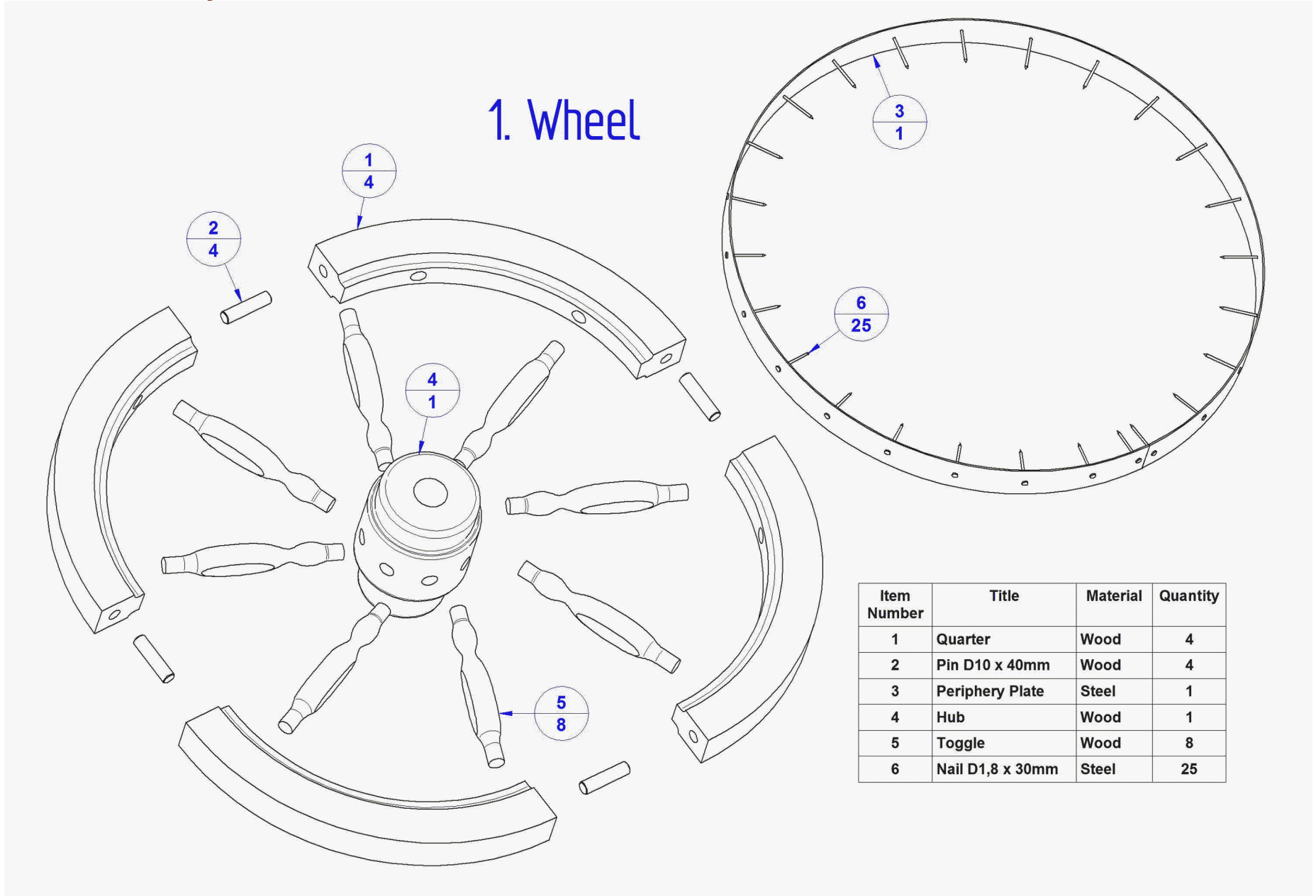


Item Number	Title	Quantity
1	Wheel	4
2	Base	1
3	Flower Box	1

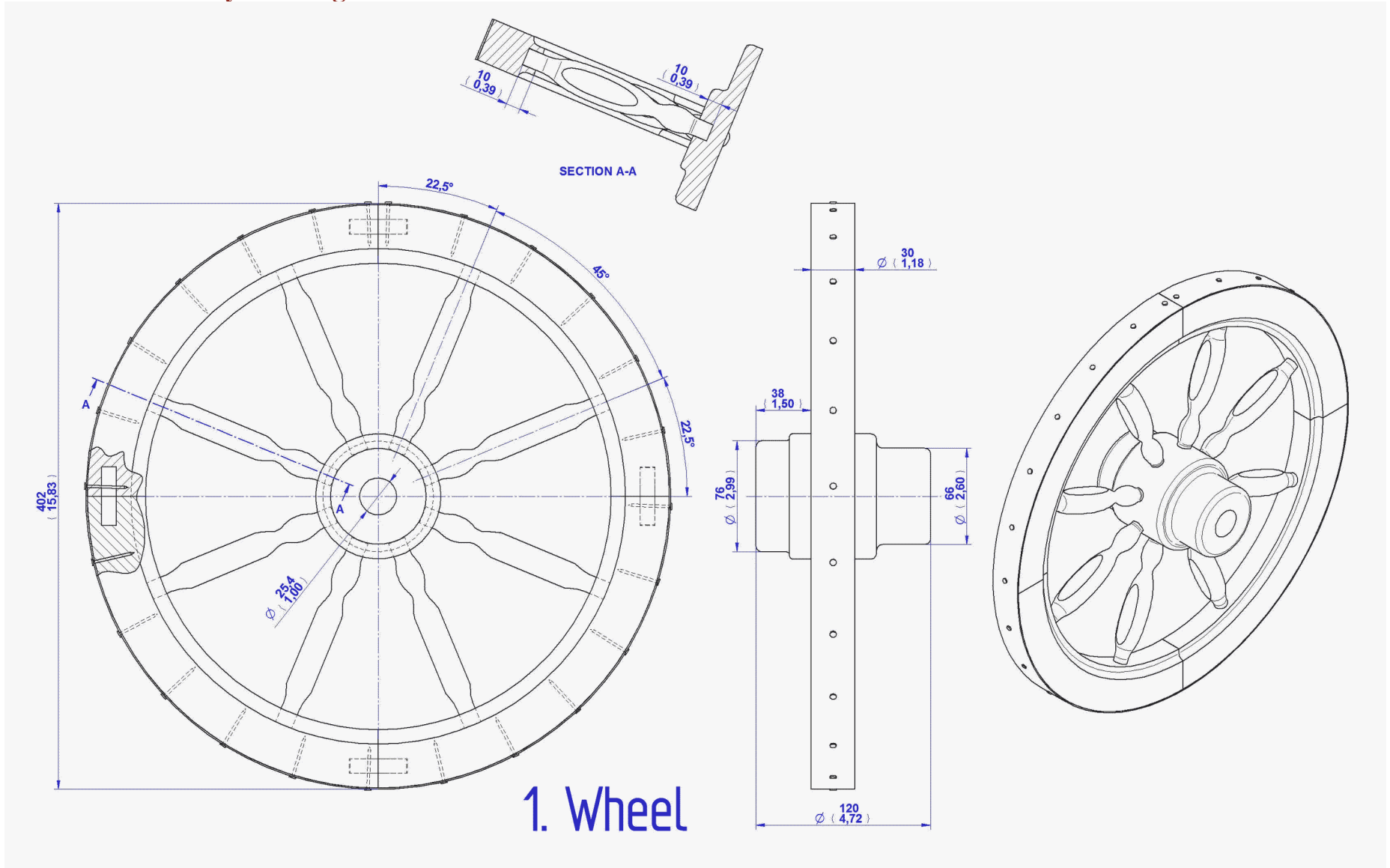
Main Assembly Drawing

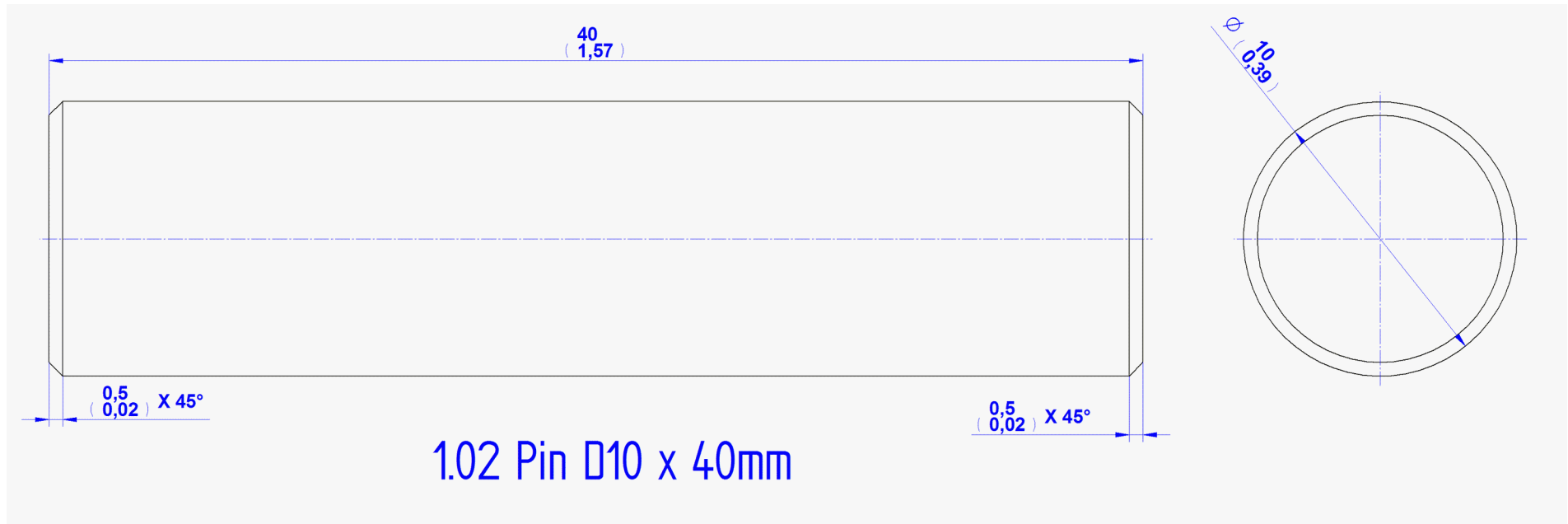


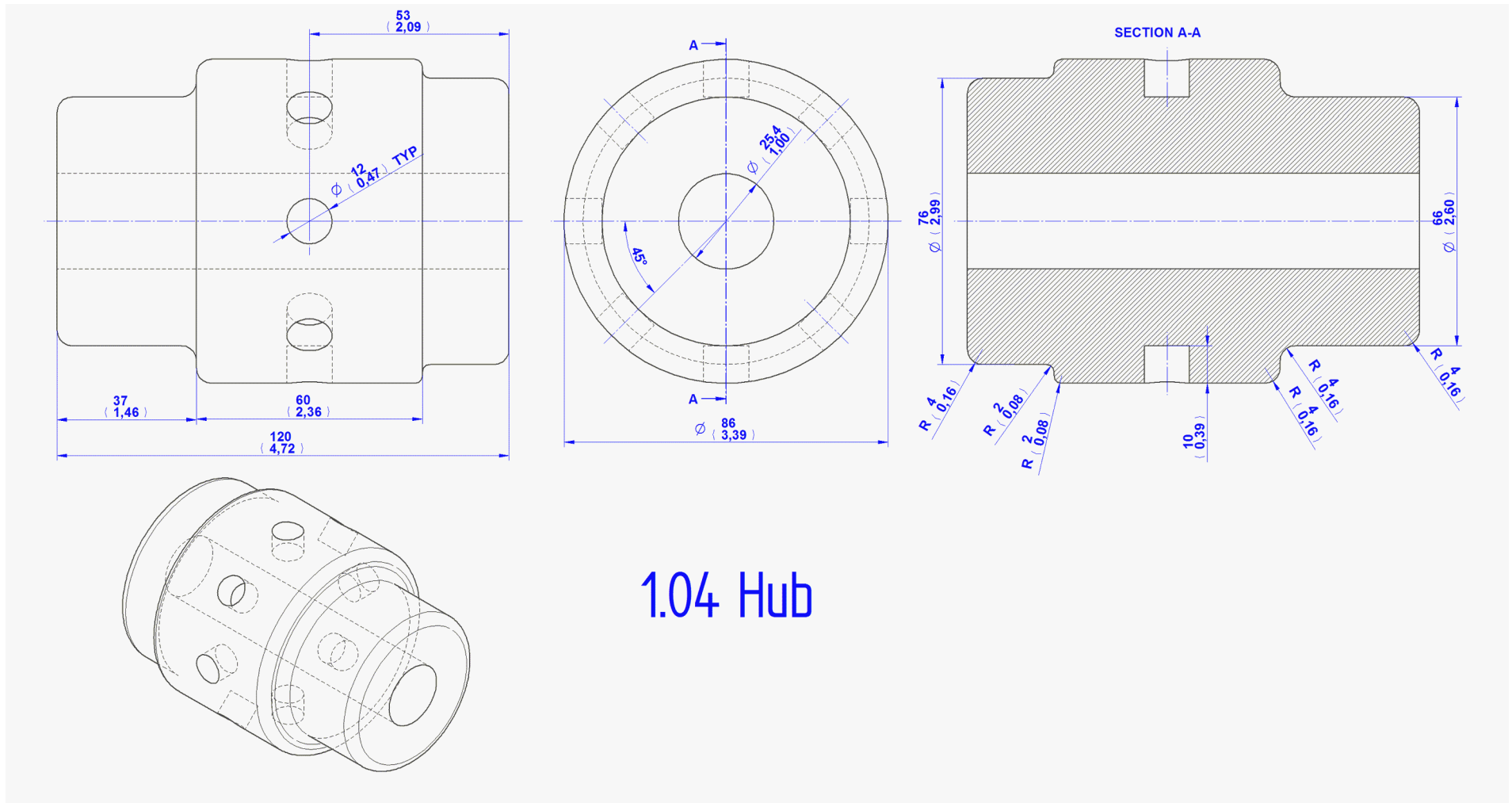
1. Wheel sub-assembly – Parts list



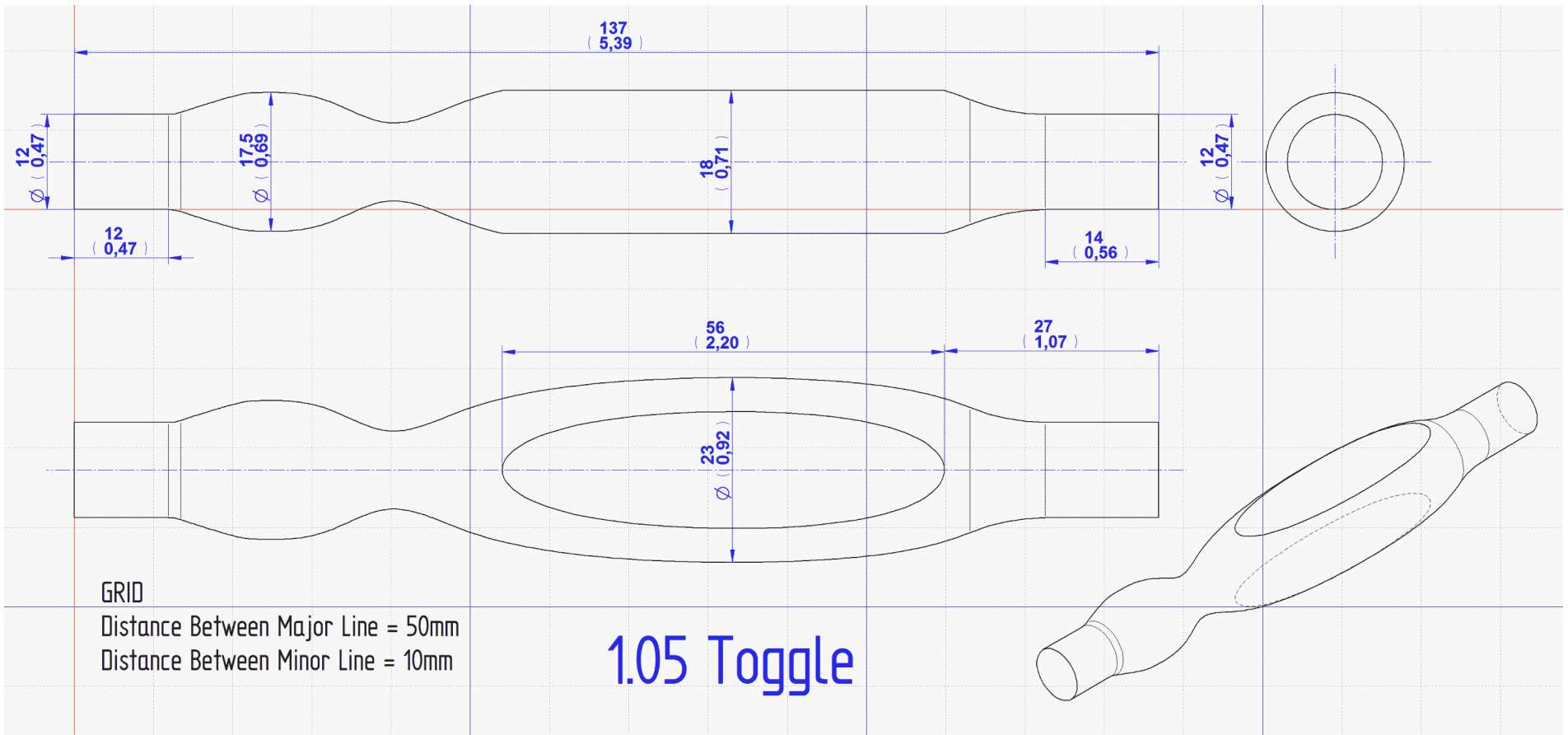
1. Wheel sub-assembly drawing

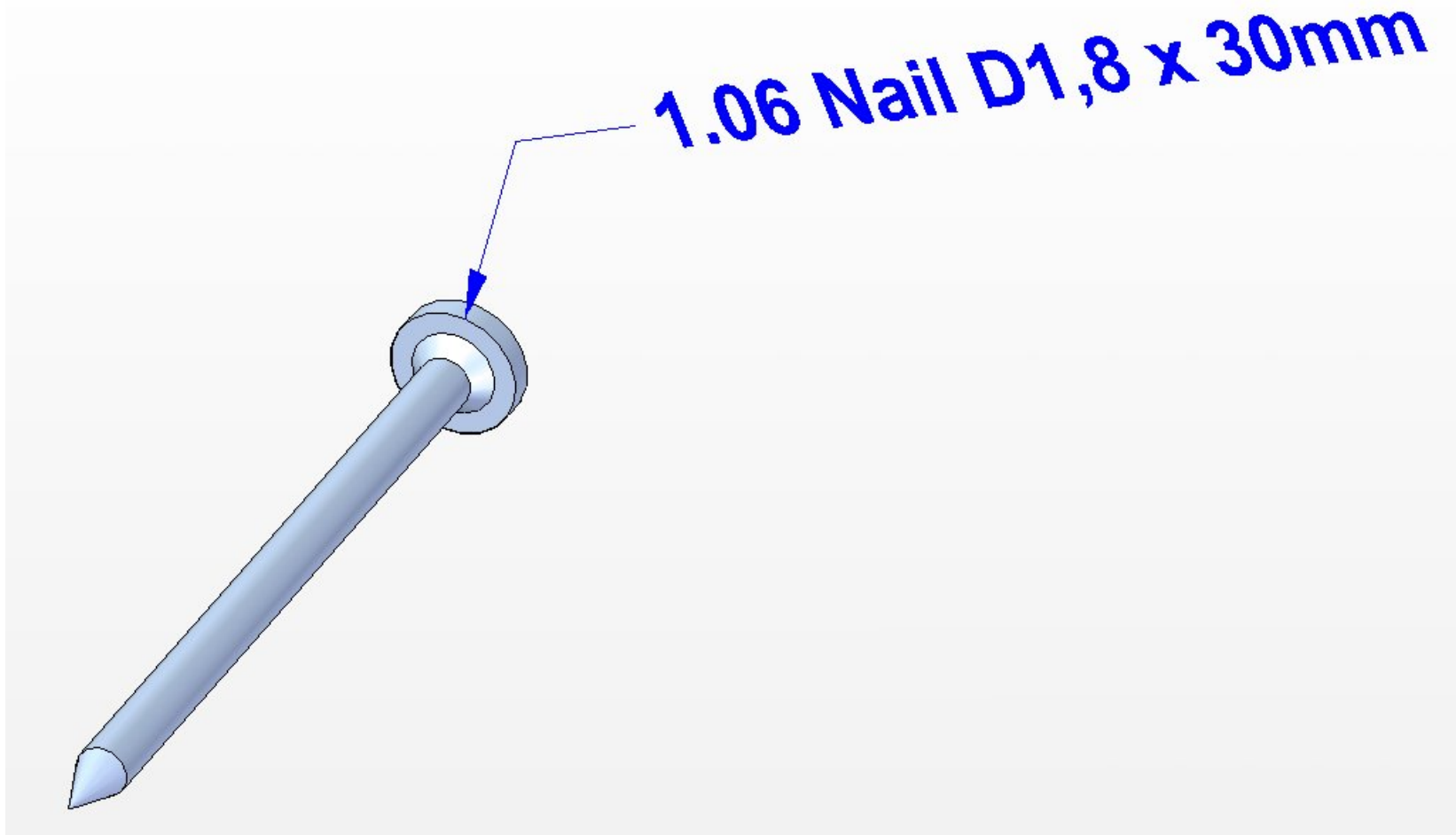




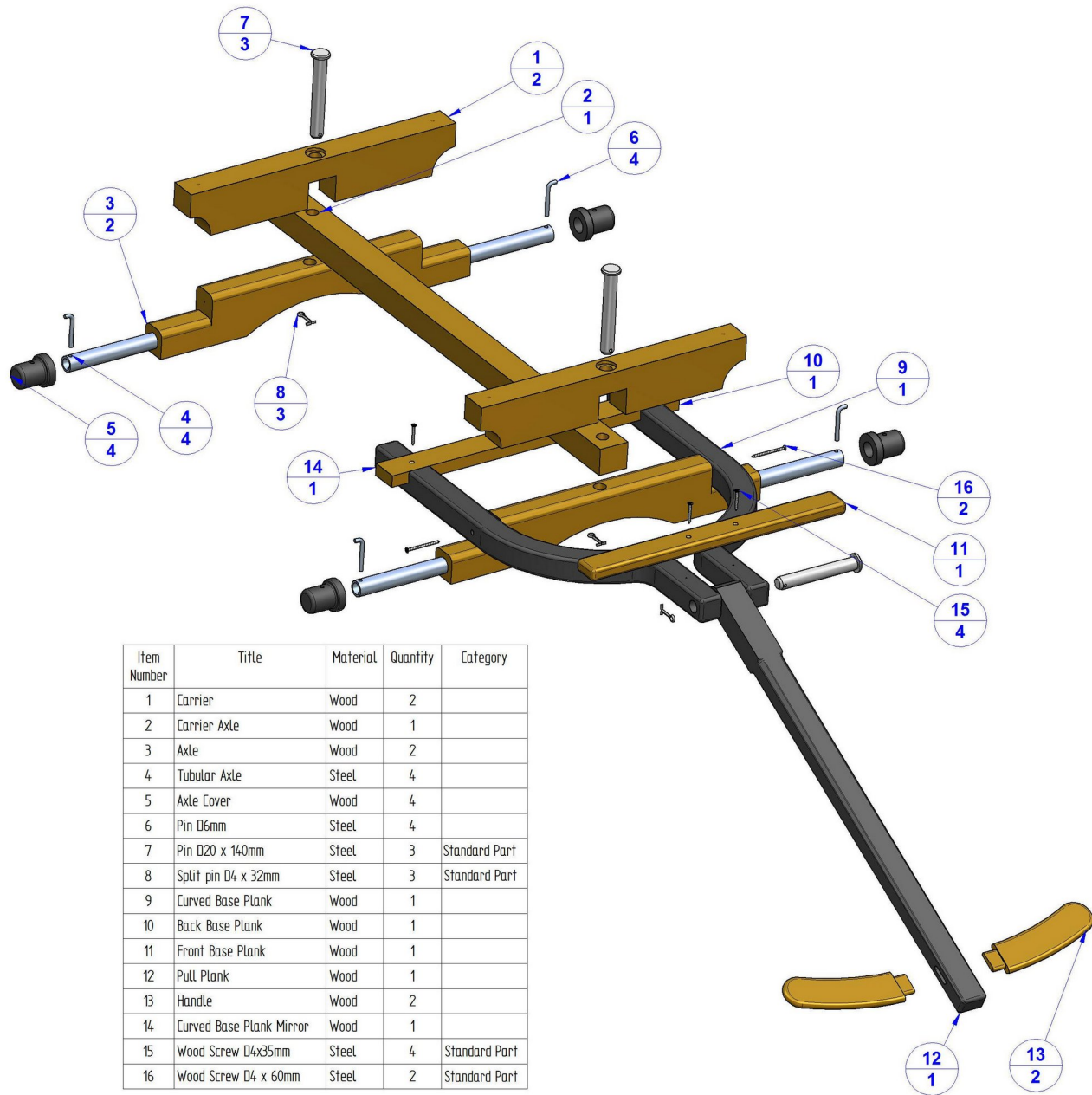


1.04 Hub



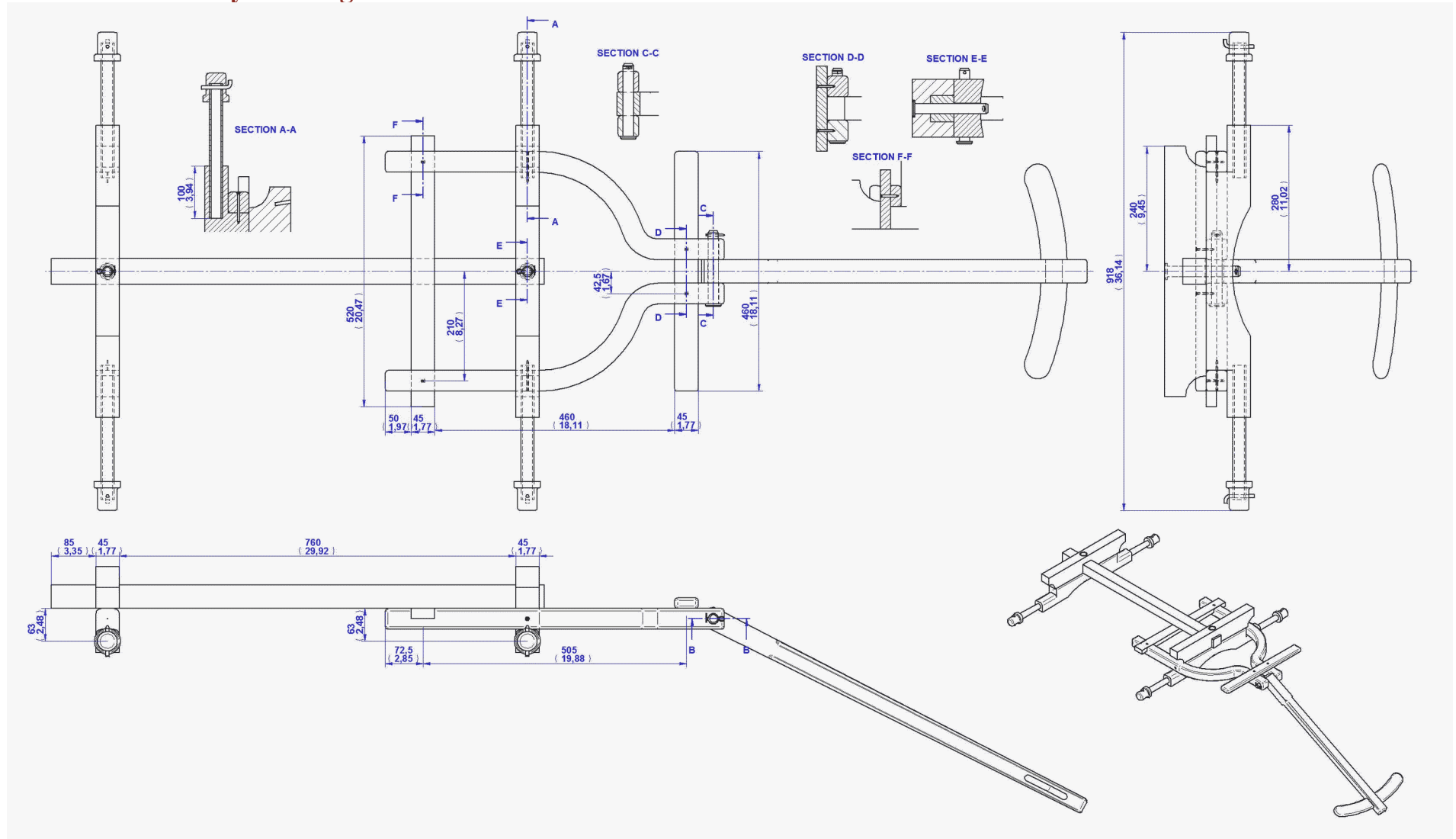


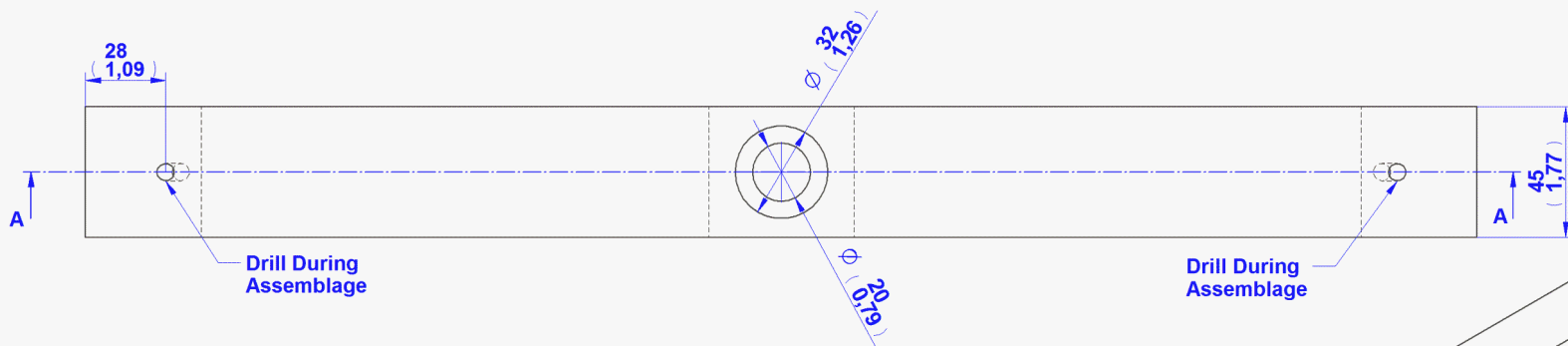
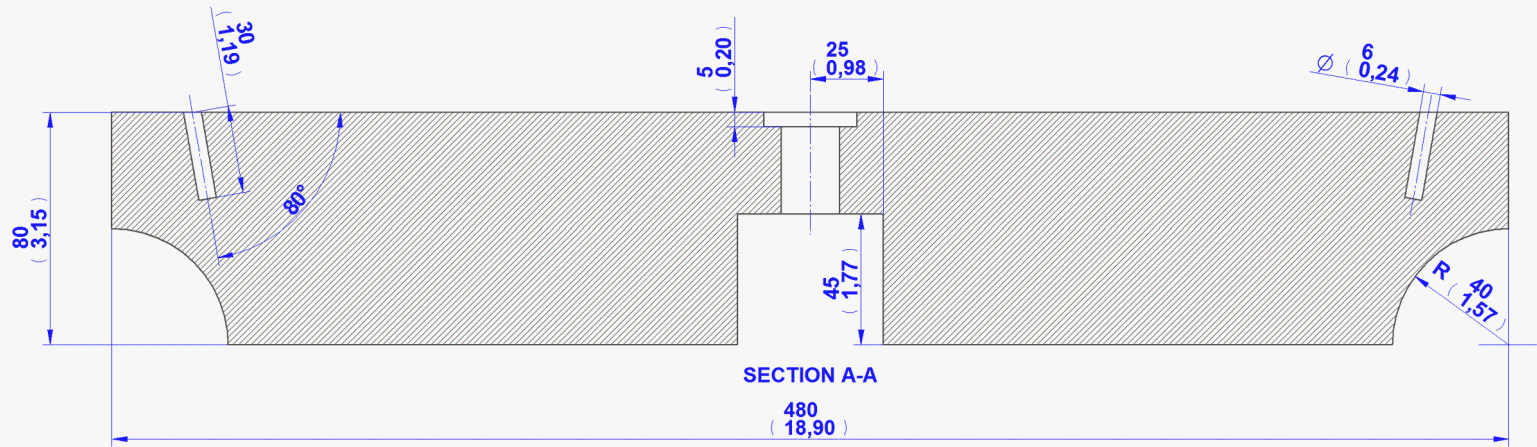
2. Base sub-assembly - Parts list



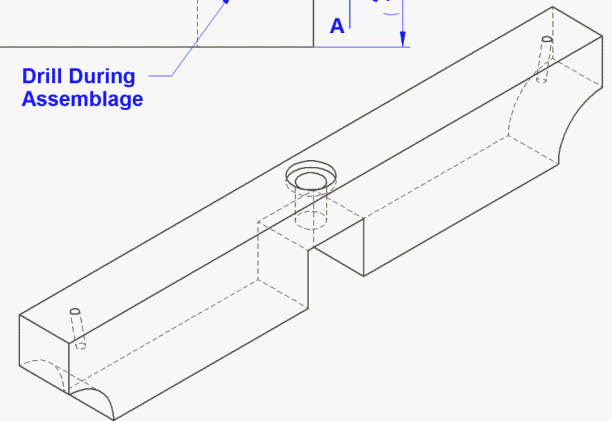
Item Number	Title	Material	Quantity	Category
1	Carrier	Wood	2	
2	Carrier Axle	Wood	1	
3	Axle	Wood	2	
4	Tubular Axle	Steel	4	
5	Axle Cover	Wood	4	
6	Pin D6mm	Steel	4	
7	Pin D20 x 140mm	Steel	3	Standard Part
8	Split pin D4 x 32mm	Steel	3	Standard Part
9	Curved Base Plank	Wood	1	
10	Back Base Plank	Wood	1	
11	Front Base Plank	Wood	1	
12	Pull Plank	Wood	1	
13	Handle	Wood	2	
14	Curved Base Plank Mirror	Wood	1	
15	Wood Screw D4x35mm	Steel	4	Standard Part
16	Wood Screw D4 x 60mm	Steel	2	Standard Part

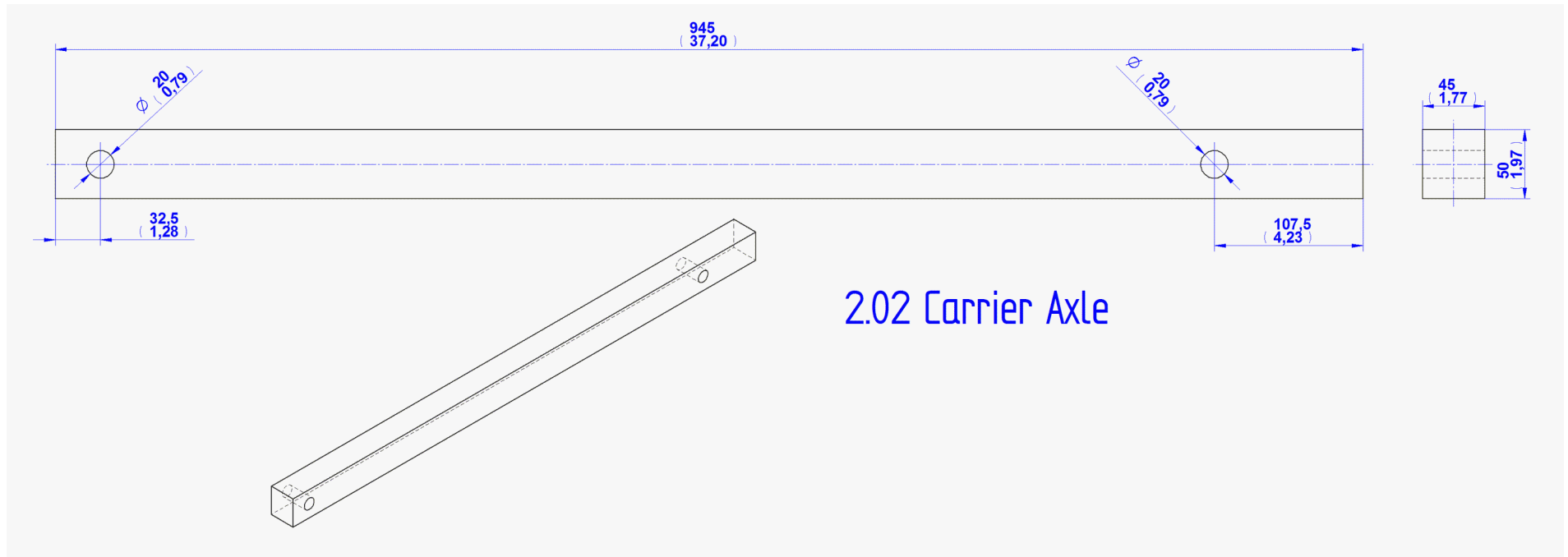
2. Base sub-assembly drawing

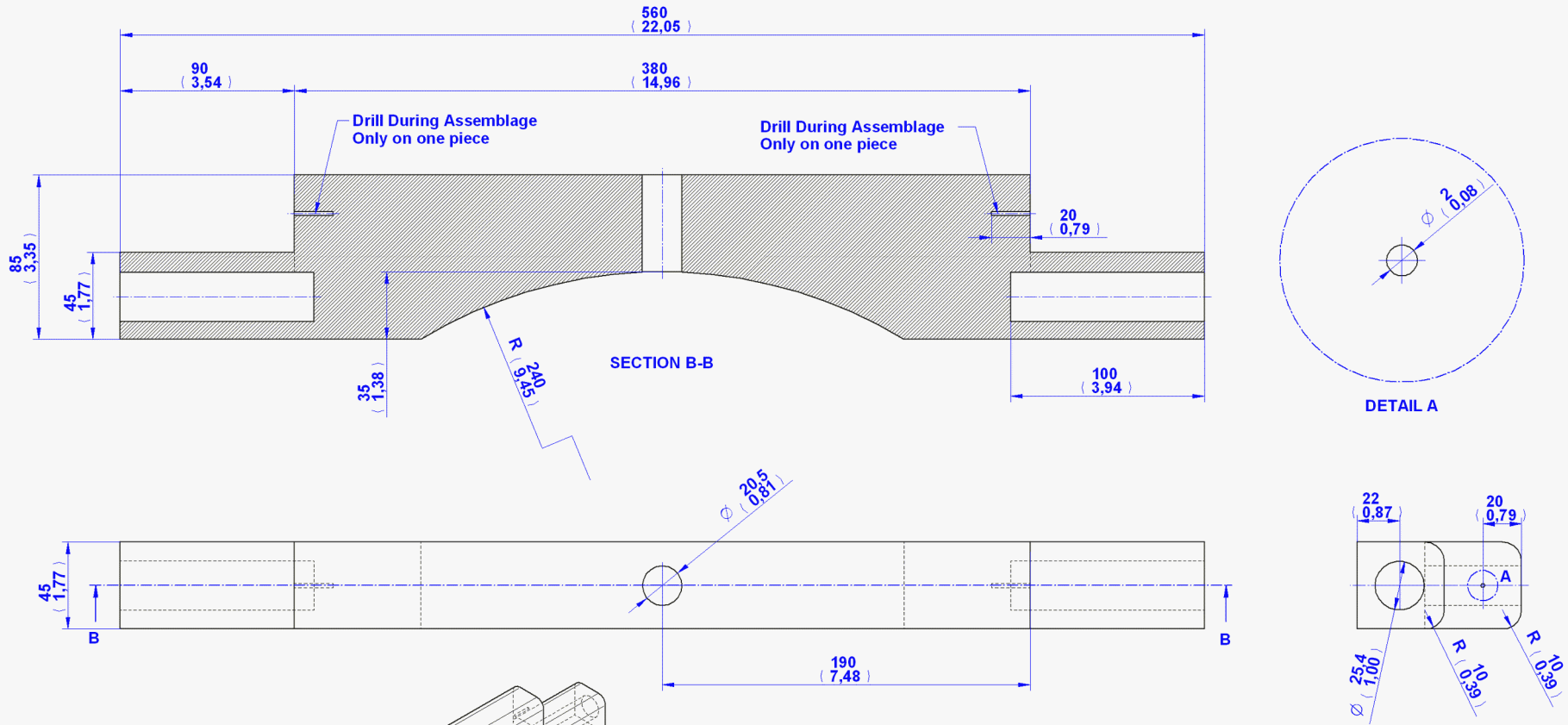


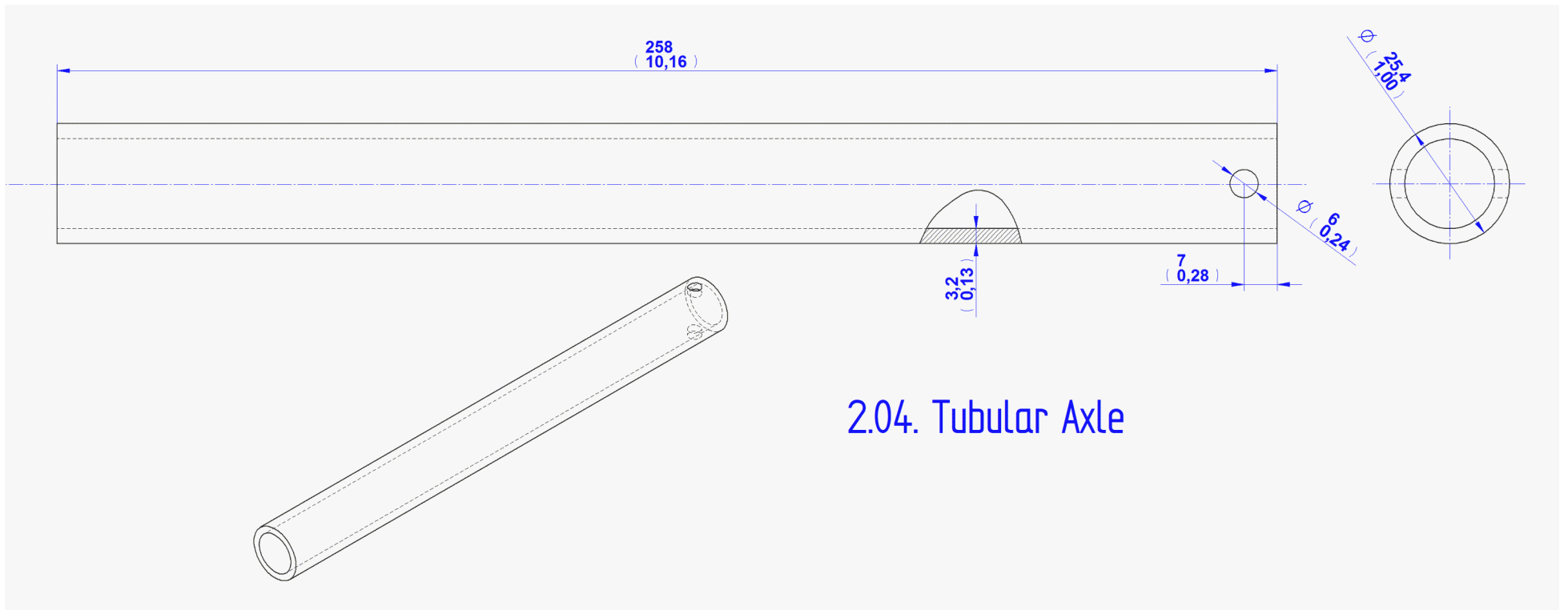


2.01 Carrier

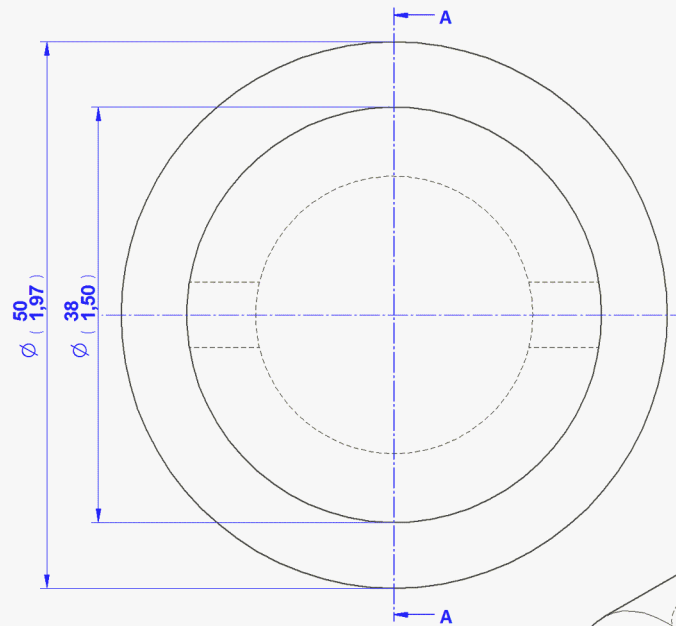
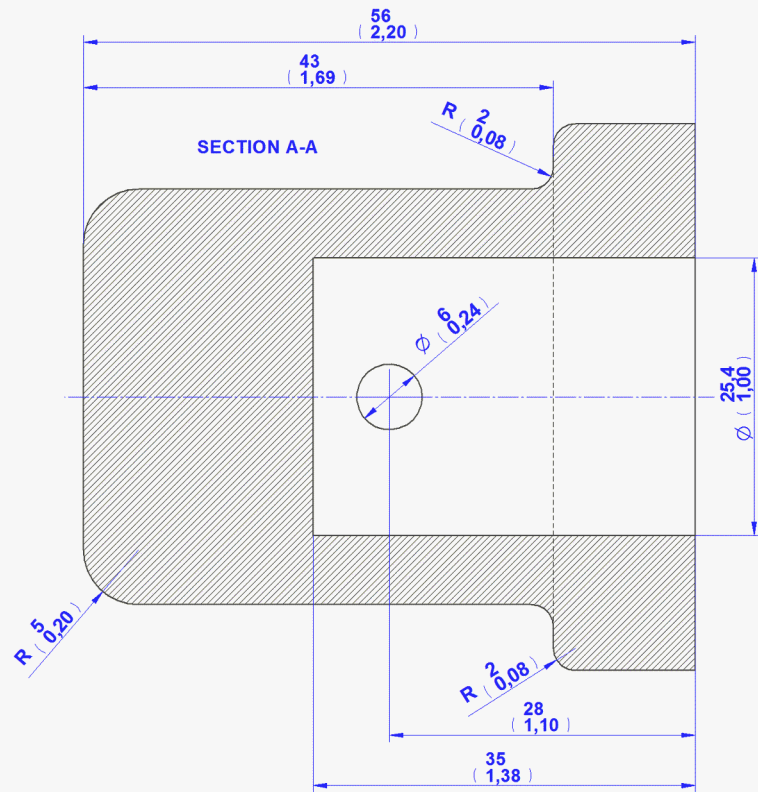




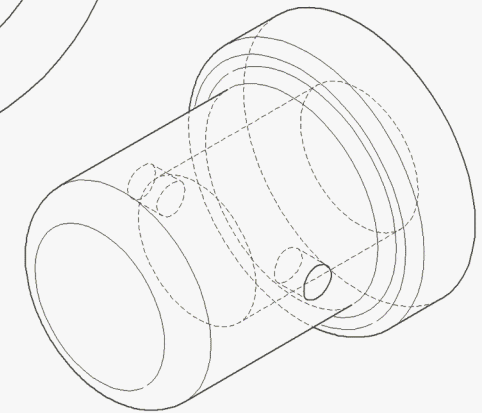


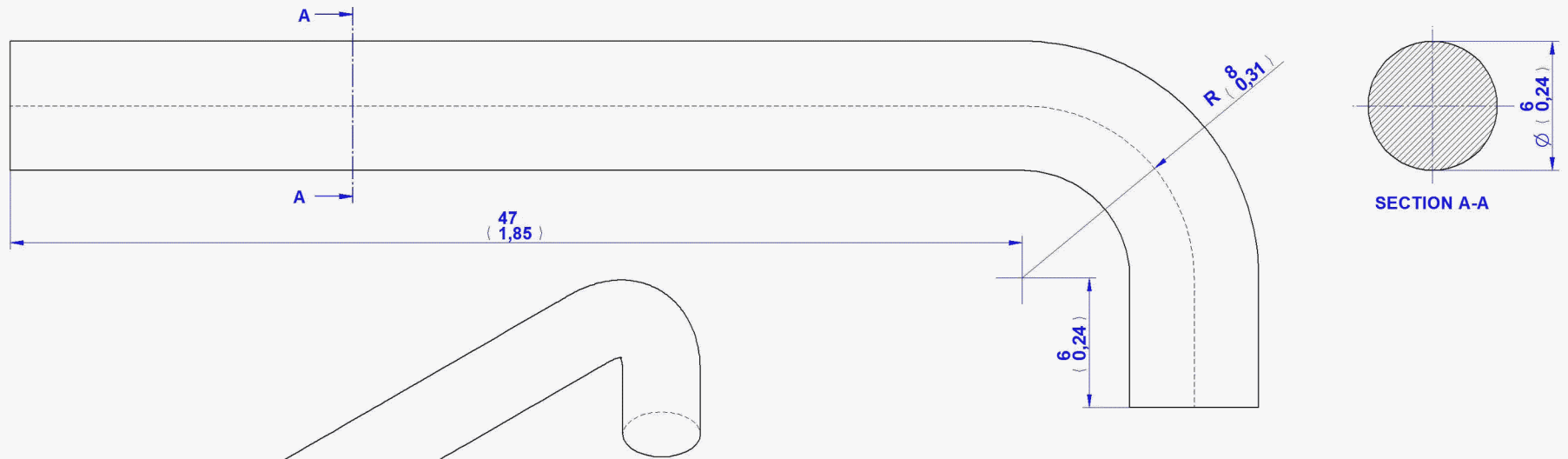


2.04. Tubular Axle

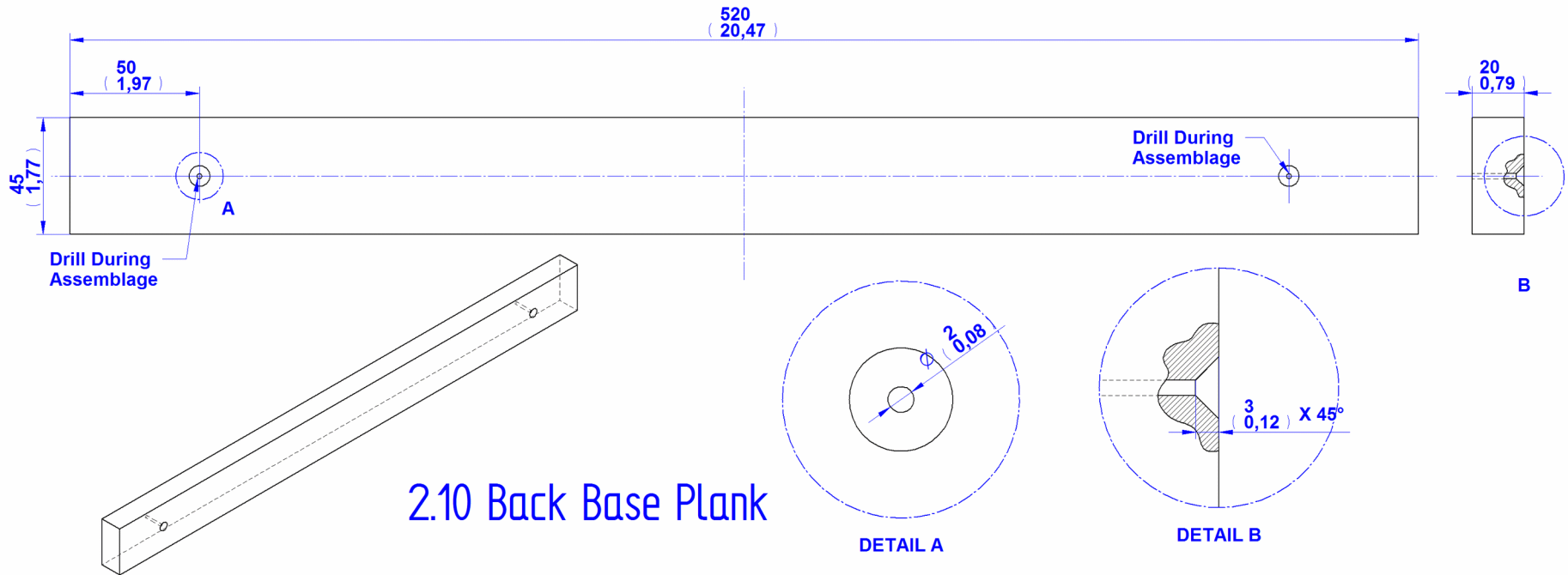


2.05. Axle Cover



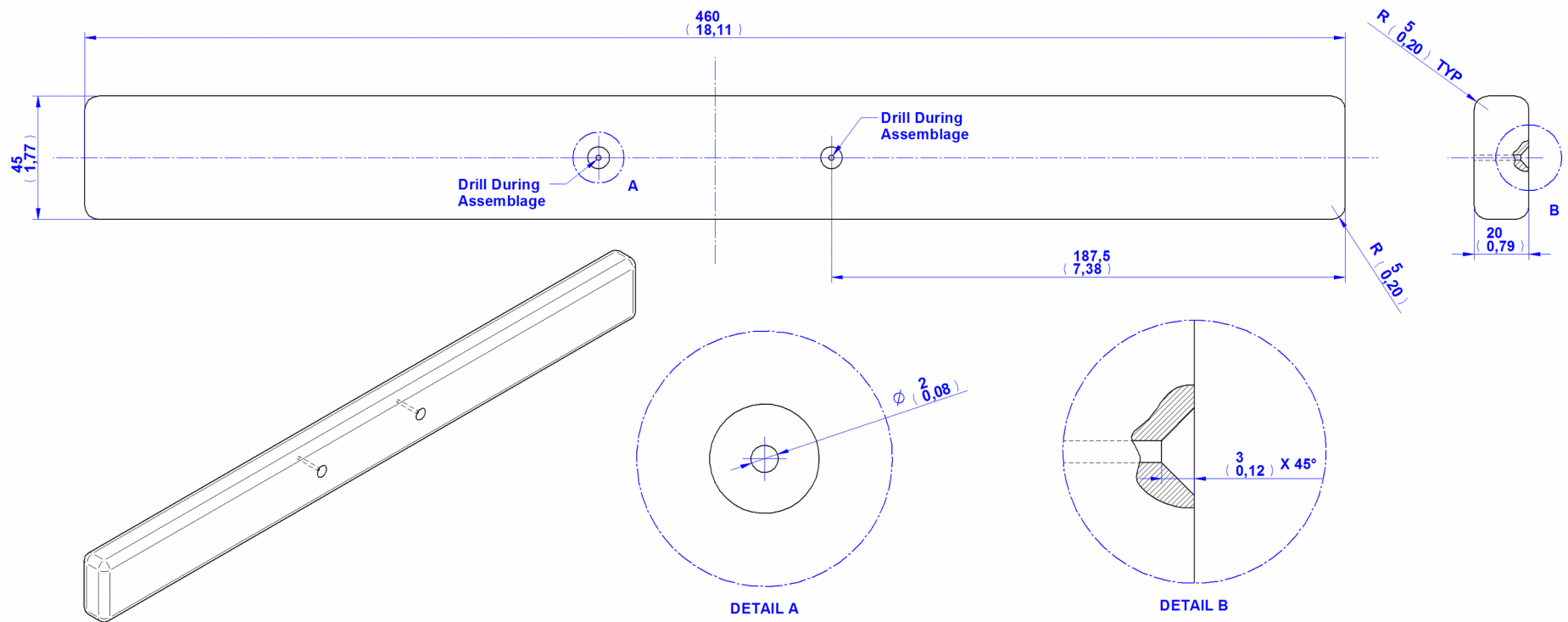


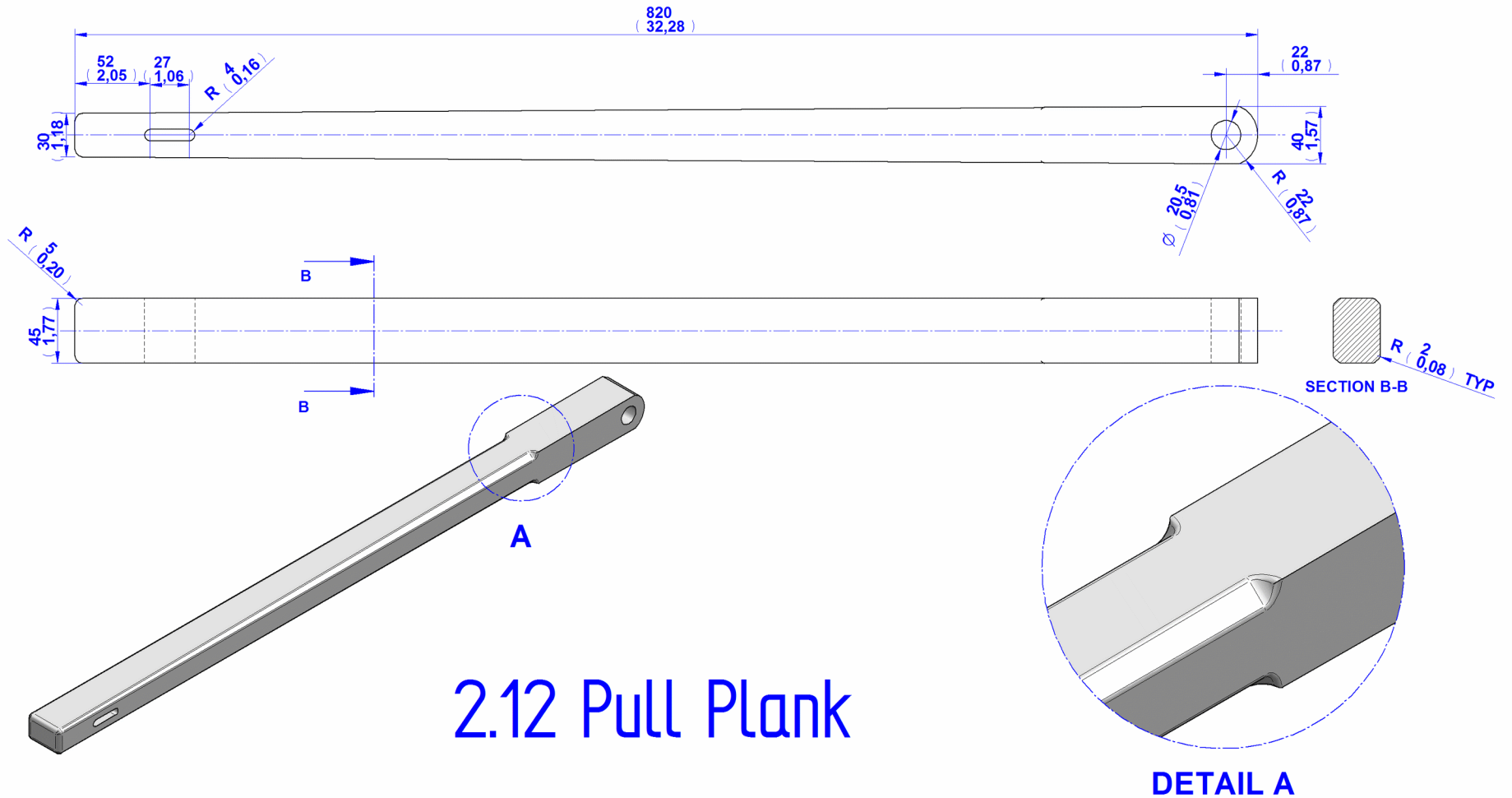
2.06 Pin D6mm

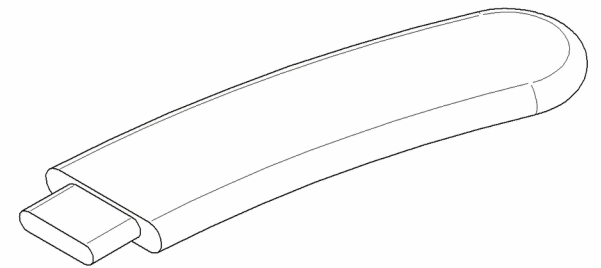
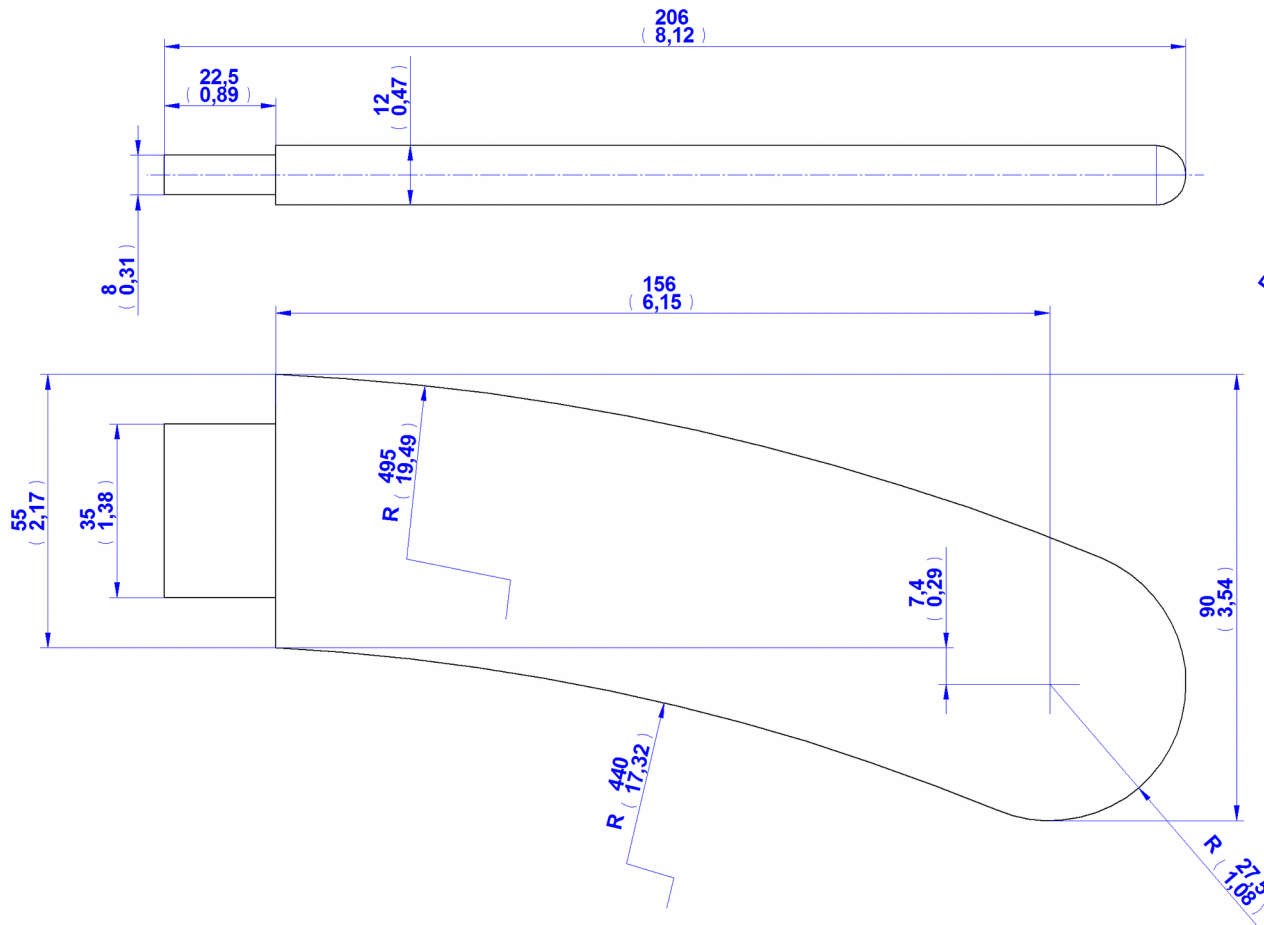


2.10 Back Base Plank

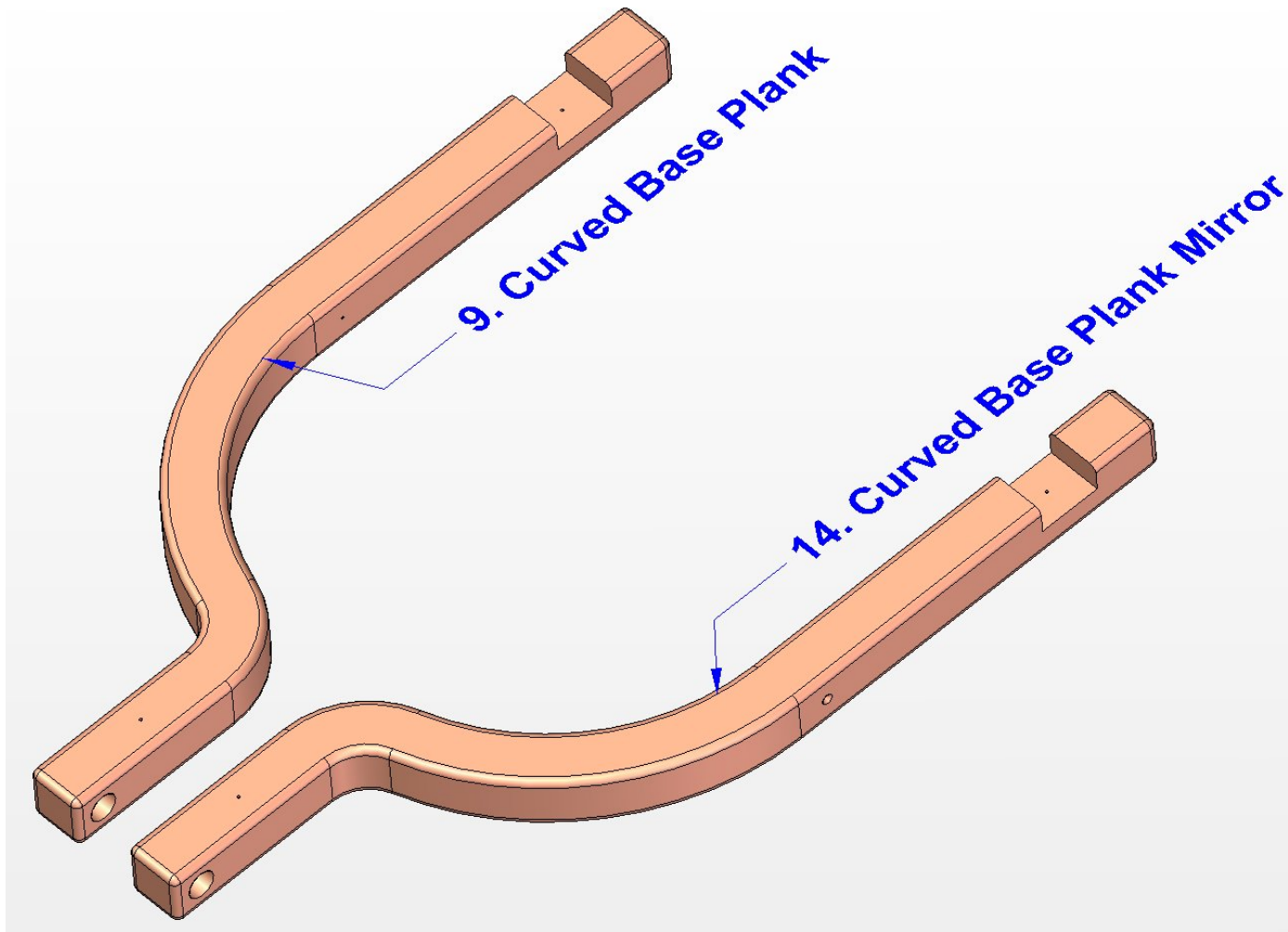
2.11 Front Base Plank



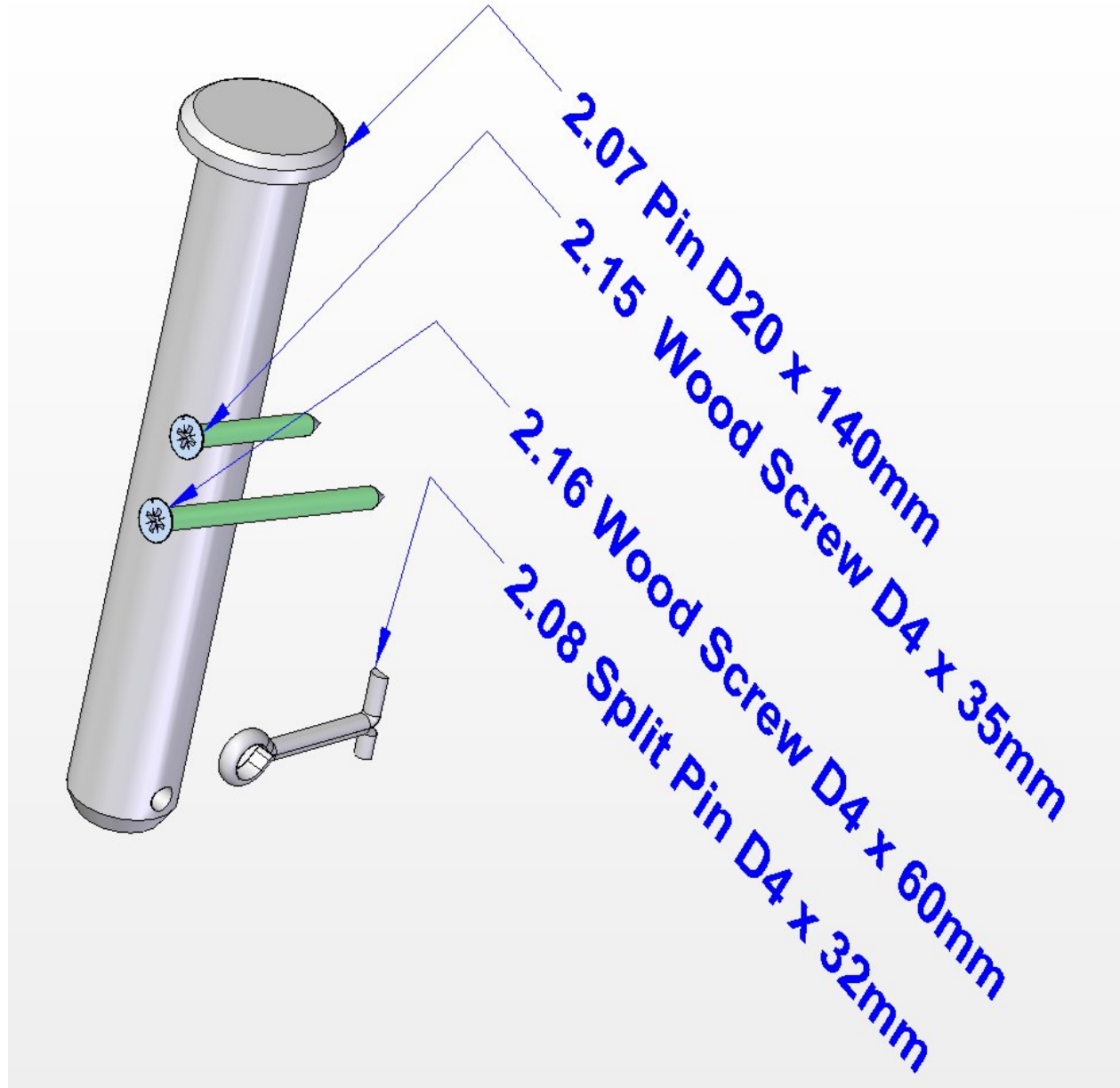




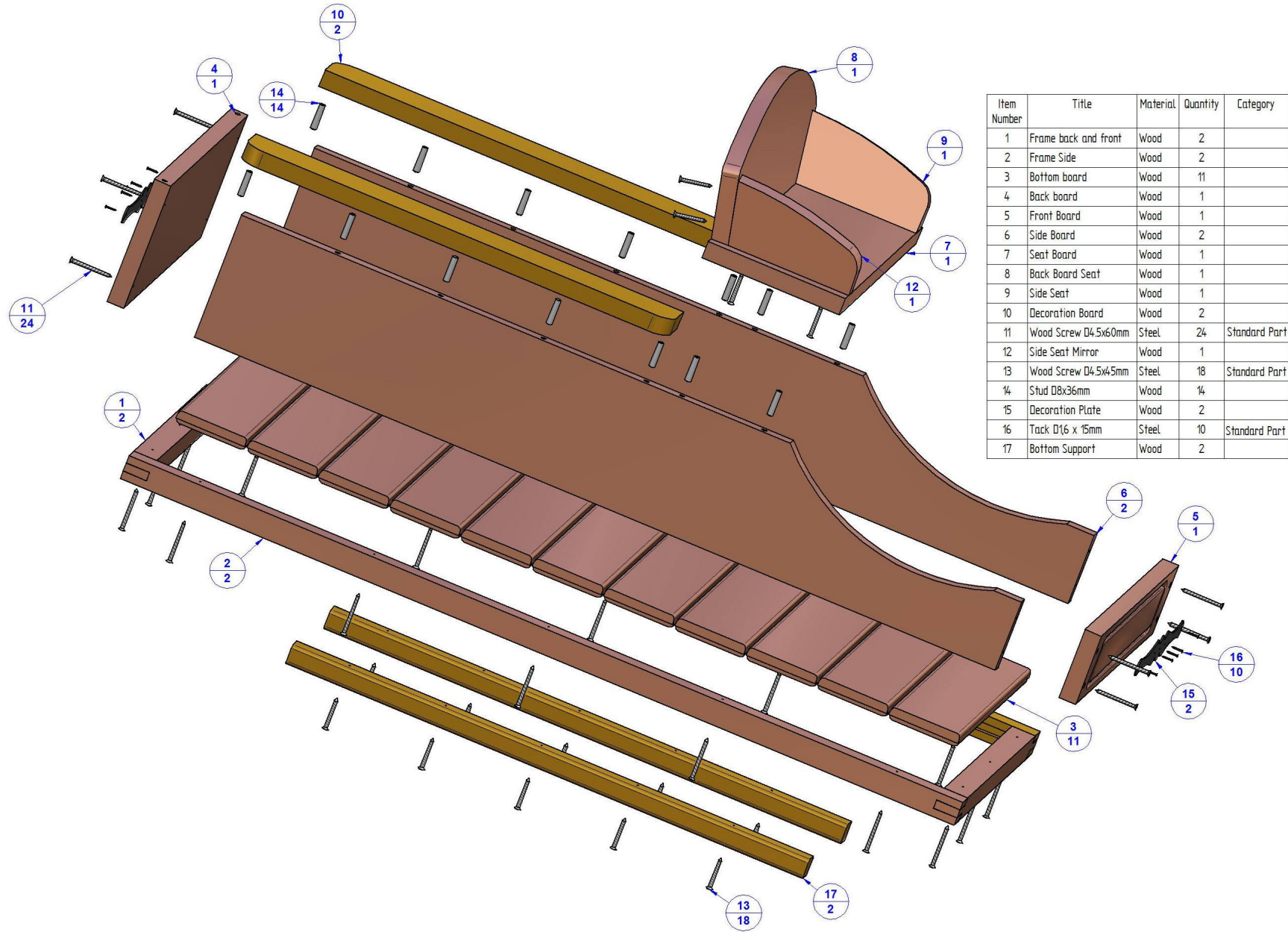
2.13 Handle



Standard parts

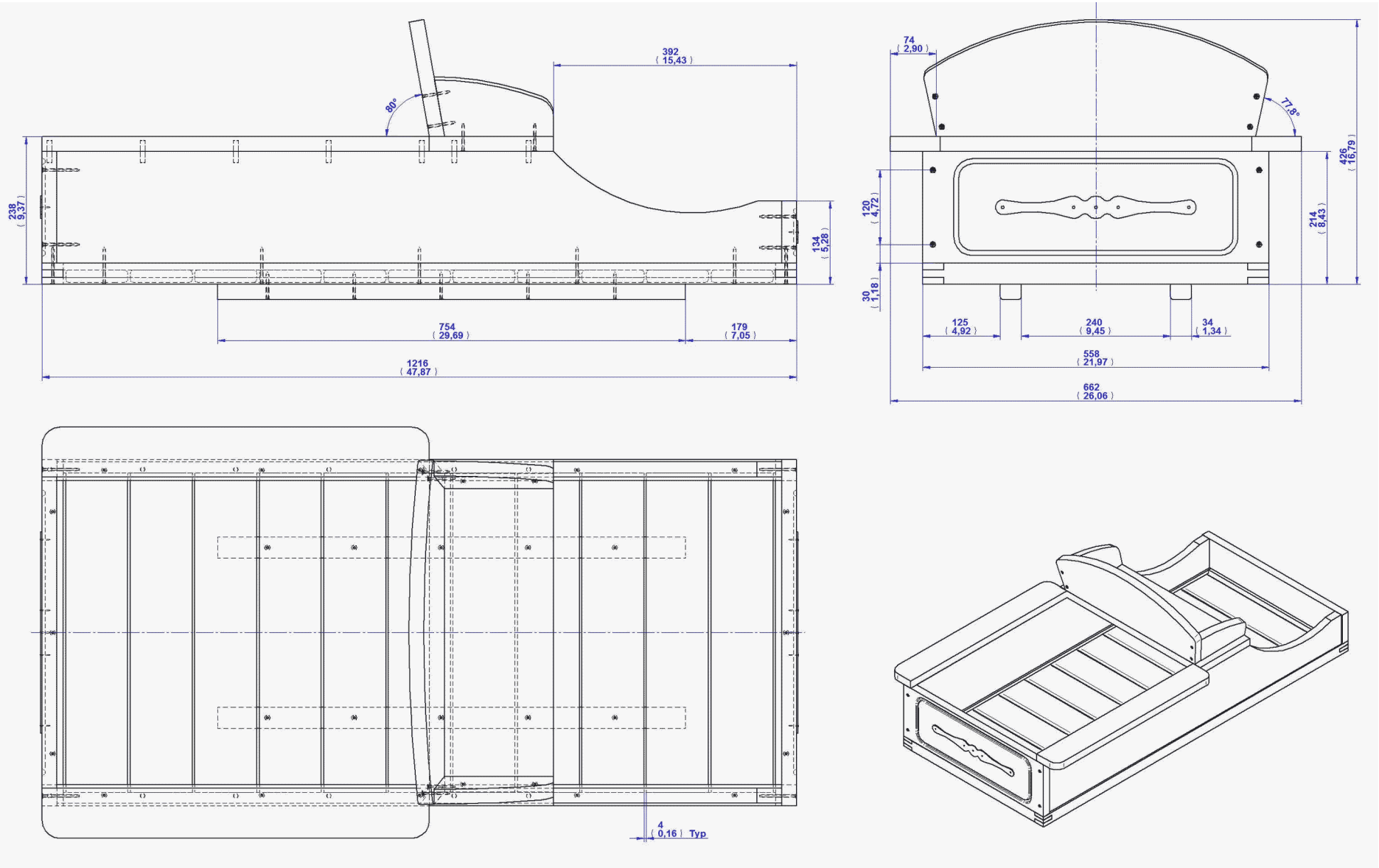


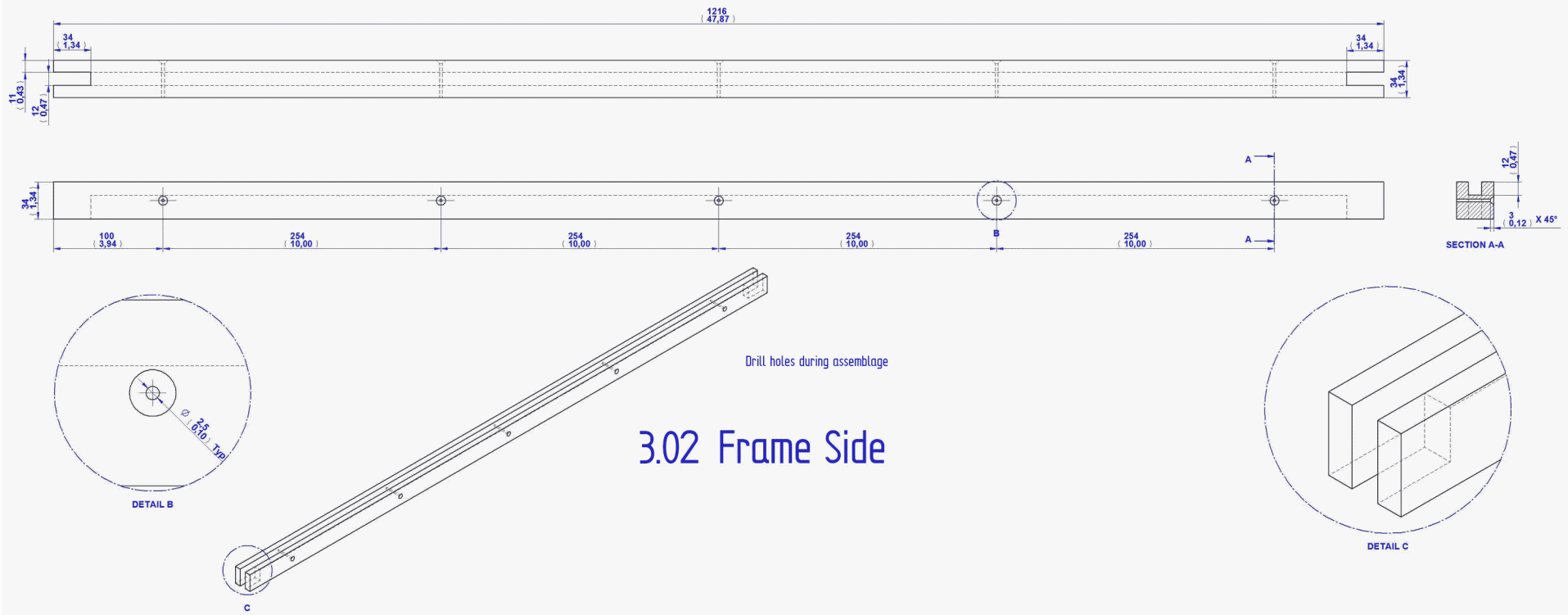
3. Flower box sub-assembly - Parts list

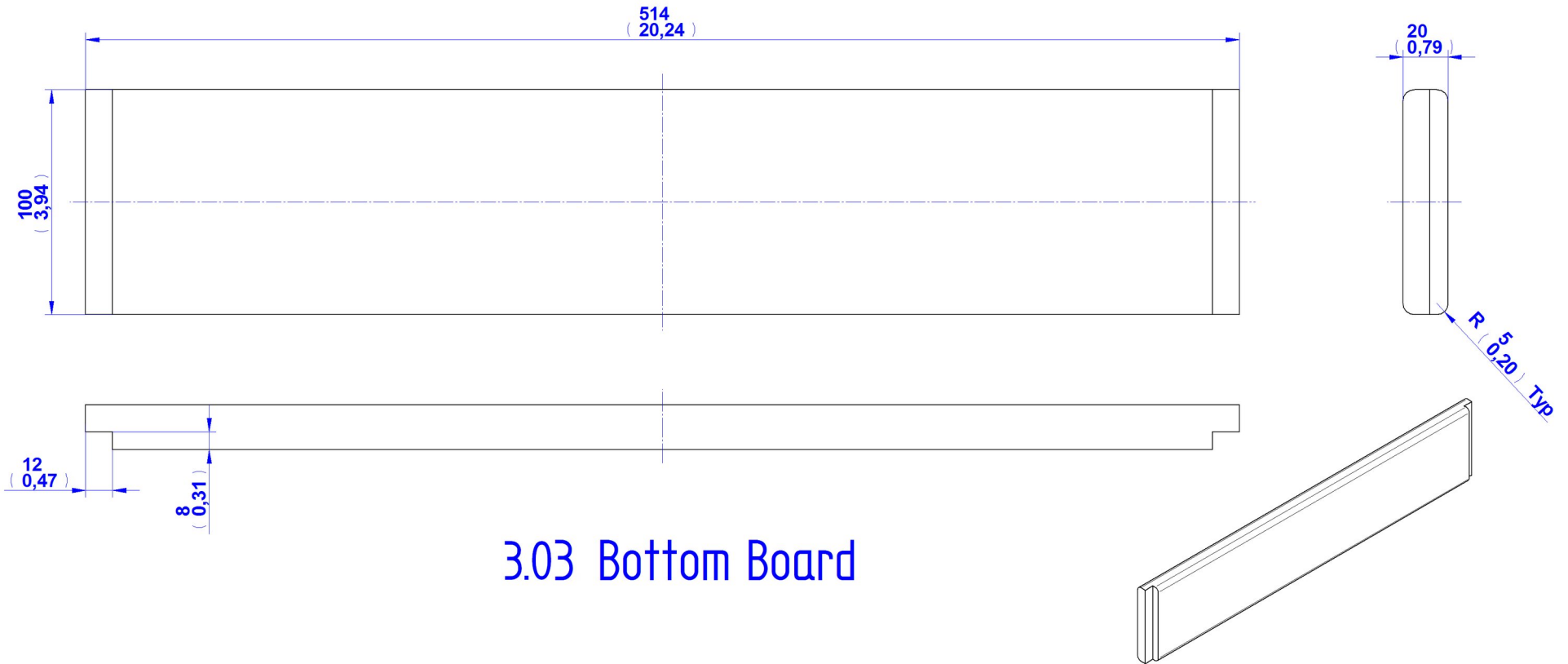


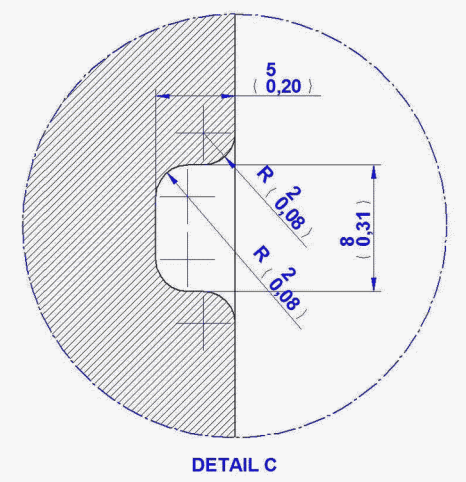
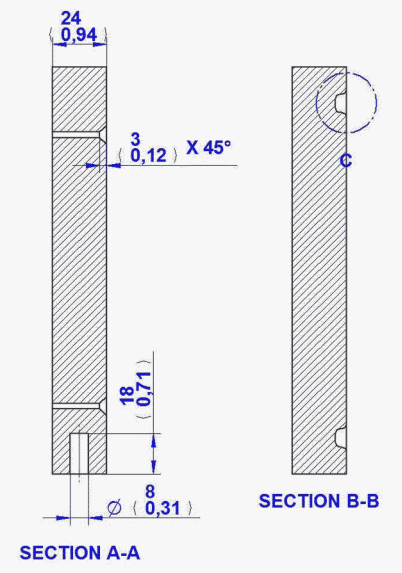
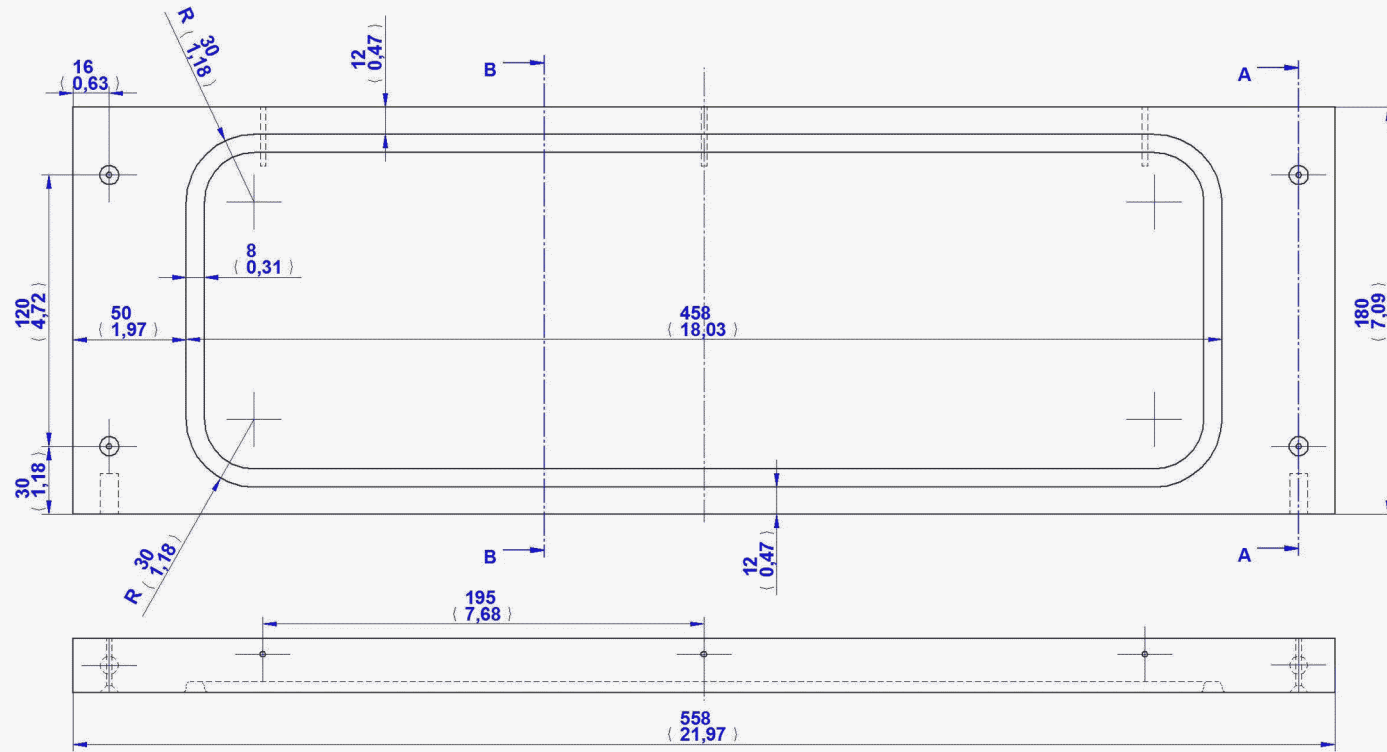
Item Number	Title	Material	Quantity	Category
1	Frame back and front	Wood	2	
2	Frame Side	Wood	2	
3	Bottom board	Wood	11	
4	Back board	Wood	1	
5	Front Board	Wood	1	
6	Side Board	Wood	2	
7	Seat Board	Wood	1	
8	Back Board Seat	Wood	1	
9	Side Seat	Wood	1	
10	Decoration Board	Wood	2	
11	Wood Screw D4.5x60mm	Steel	24	Standard Part
12	Side Seat Mirror	Wood	1	
13	Wood Screw D4.5x45mm	Steel	18	Standard Part
14	Stud D8x36mm	Wood	14	
15	Decoration Plate	Wood	2	
16	Tack D16 x 15mm	Steel	10	Standard Part
17	Bottom Support	Wood	2	

Flower box sub-assembly drawing







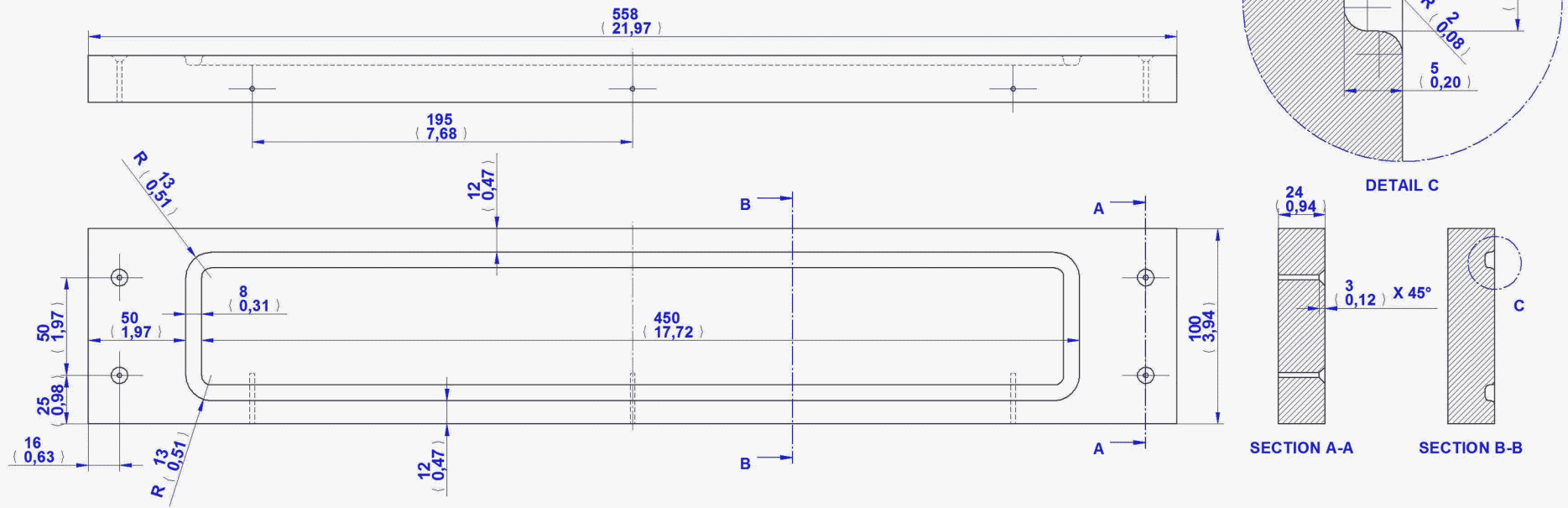


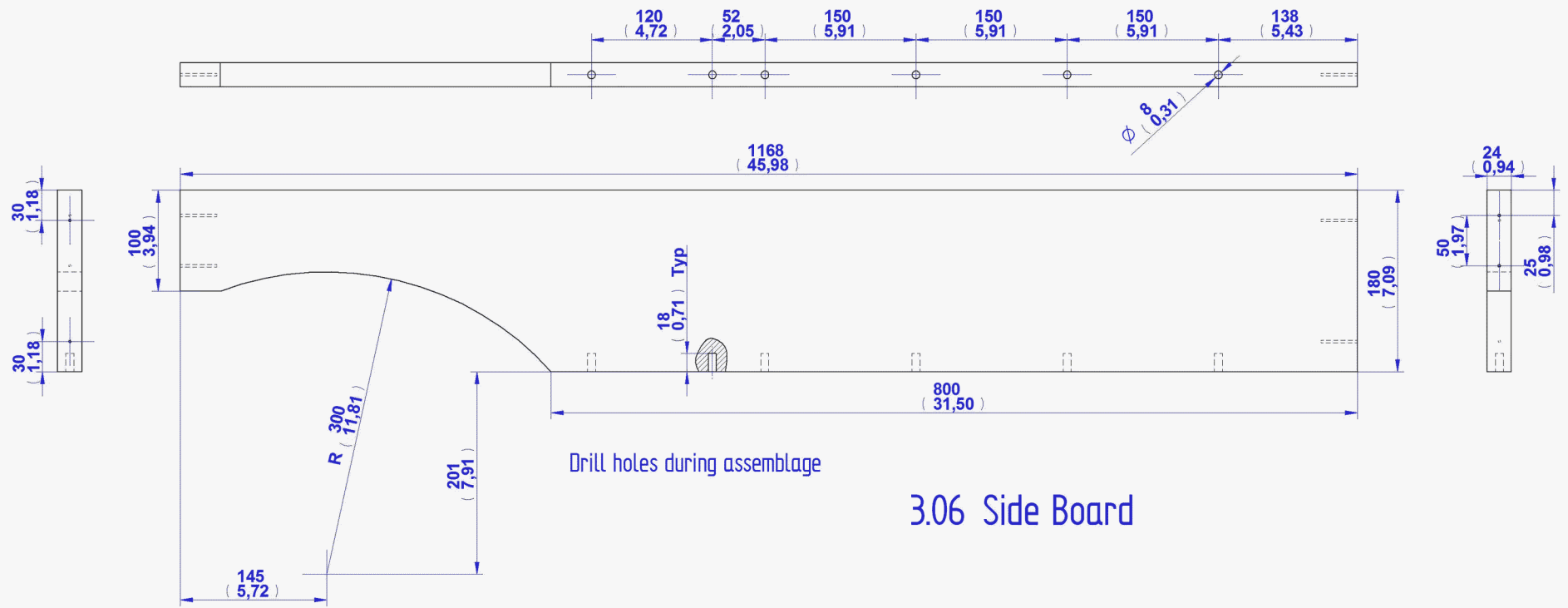
3.04 Back Board

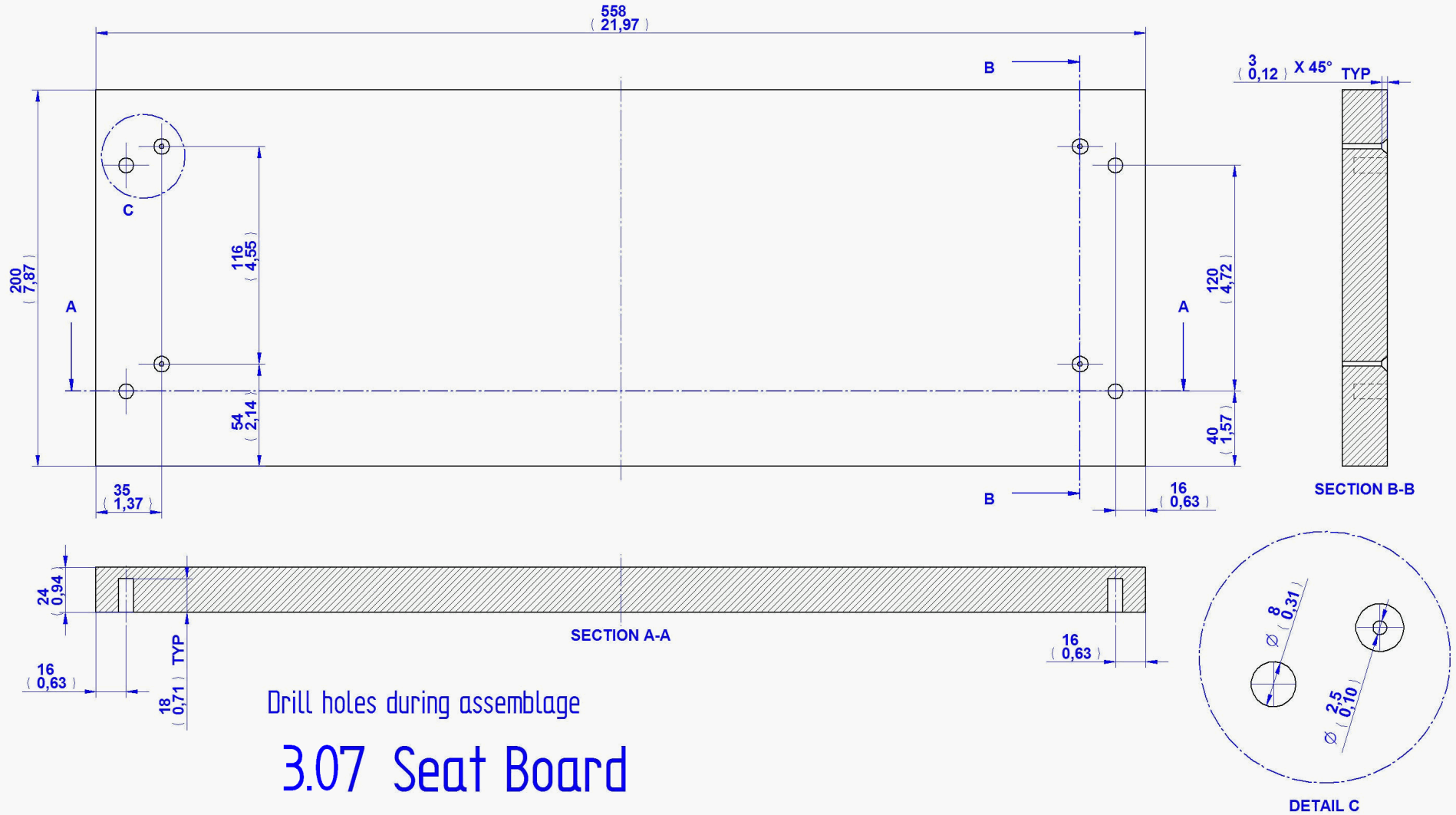
Drill holes during assemblage

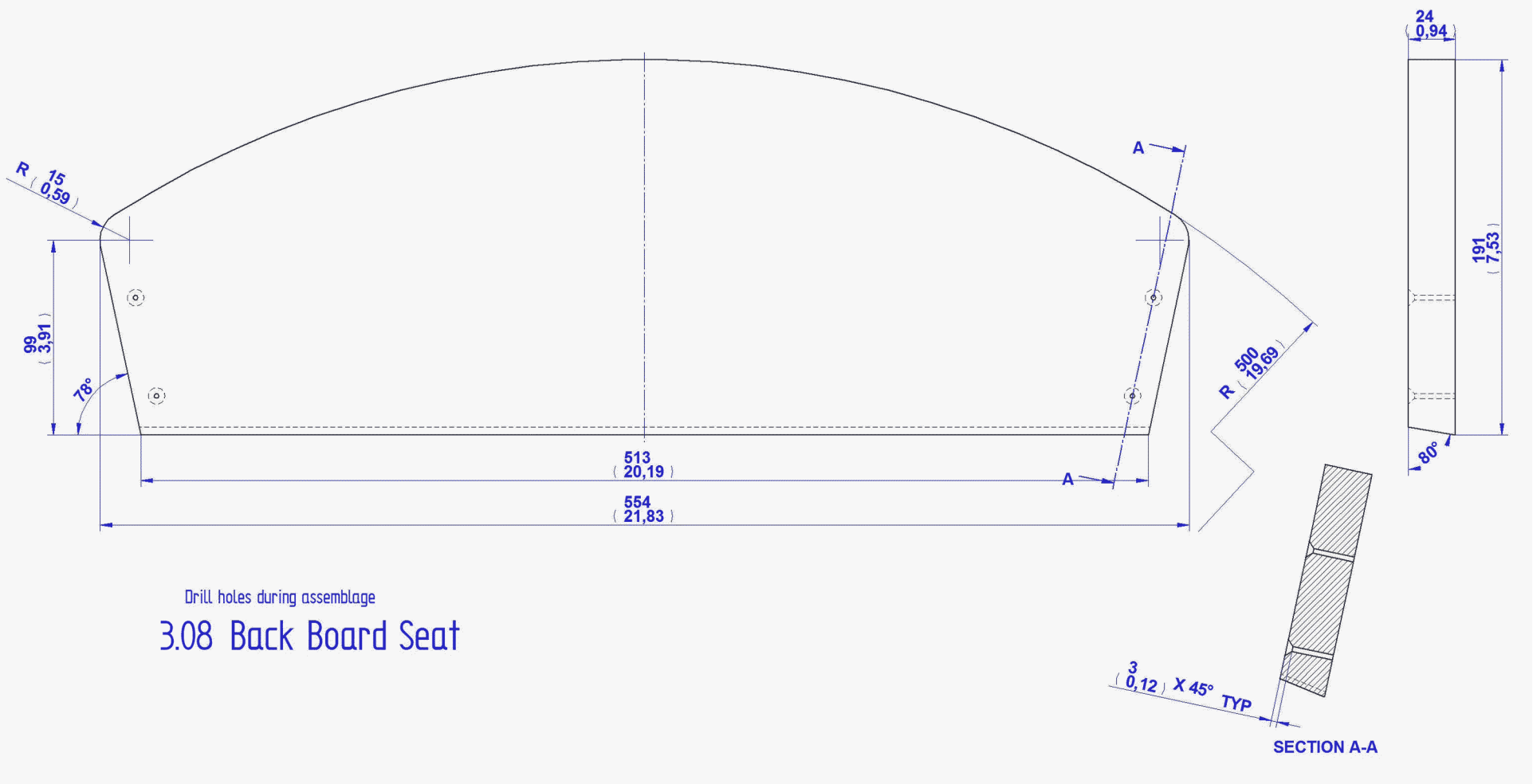
3.05 Front Board

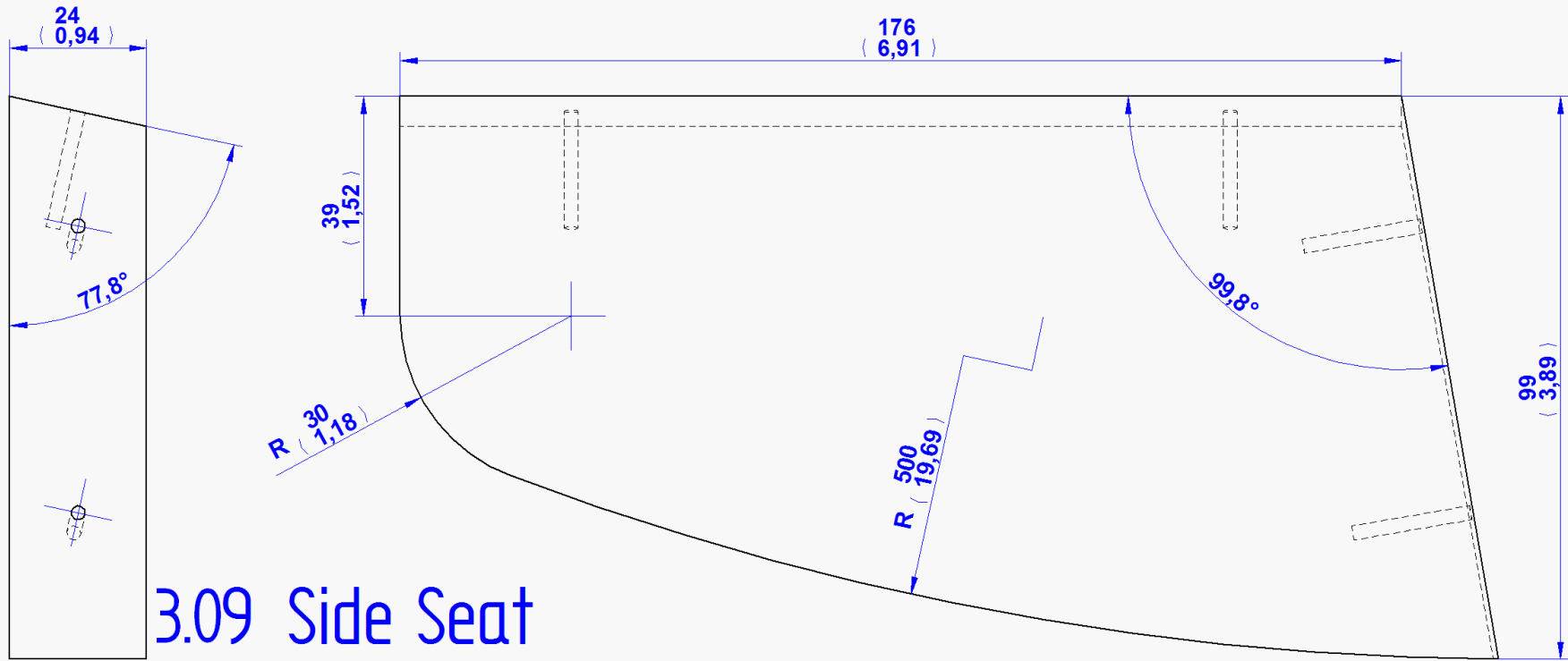
Drill holes during assemblage





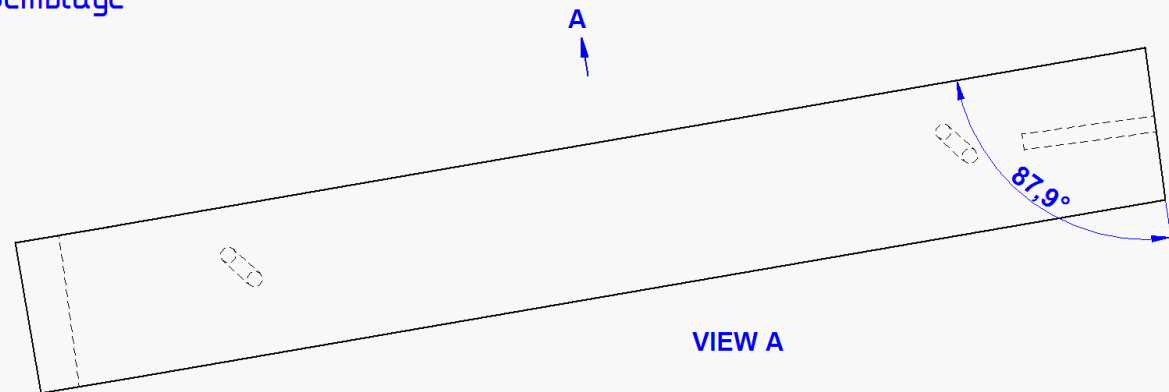


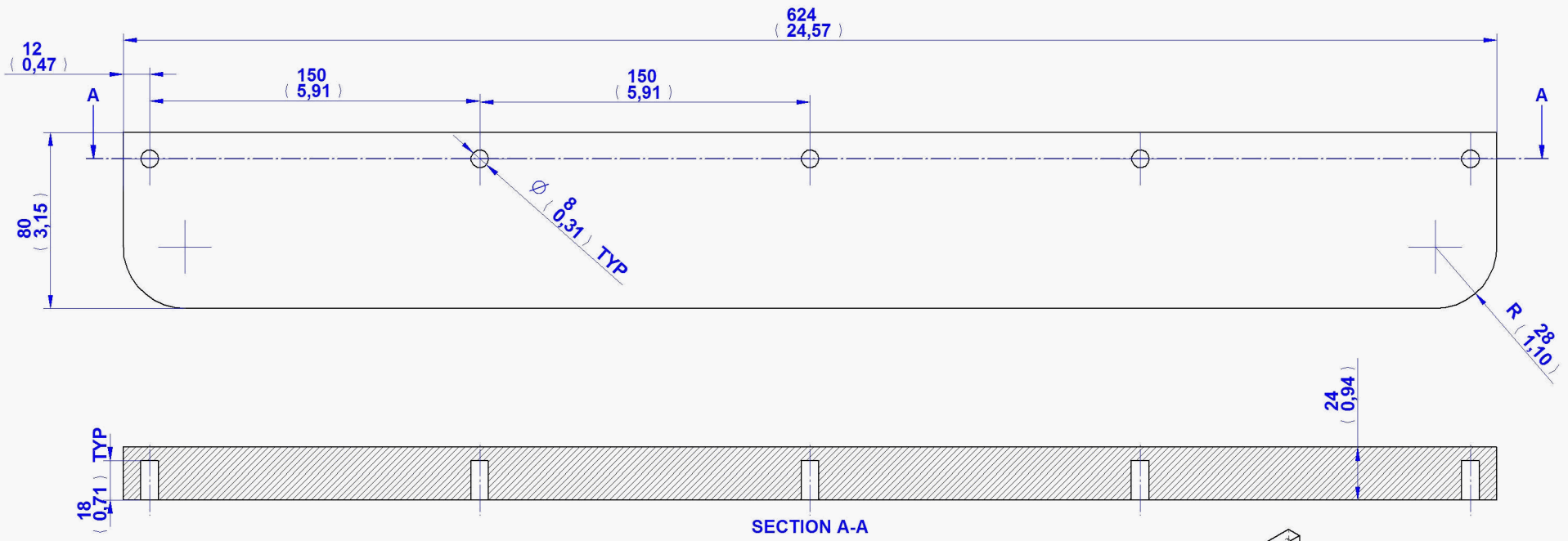




3.09 Side Seat

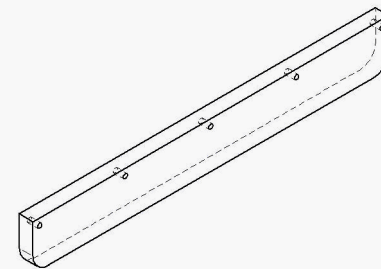
Drill holes during assemblage

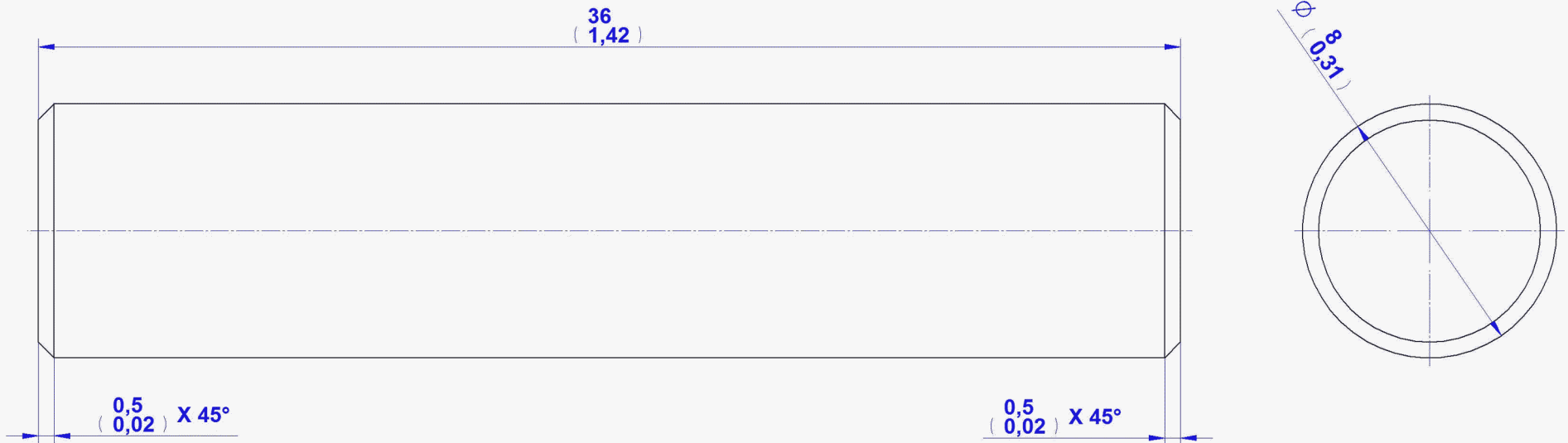




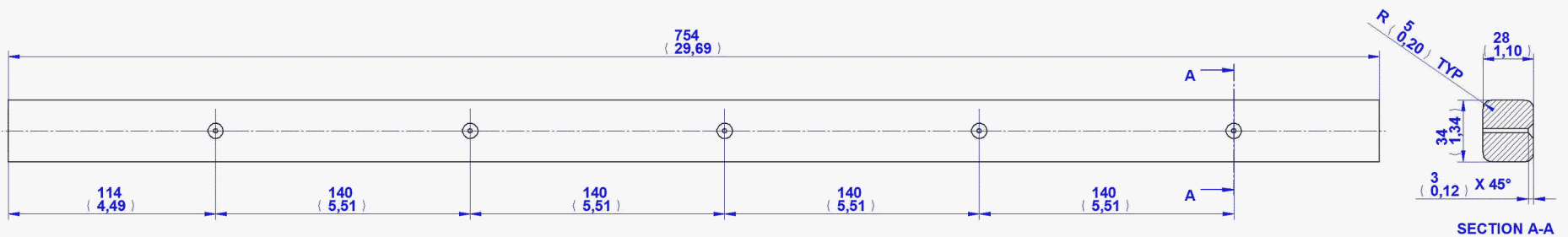
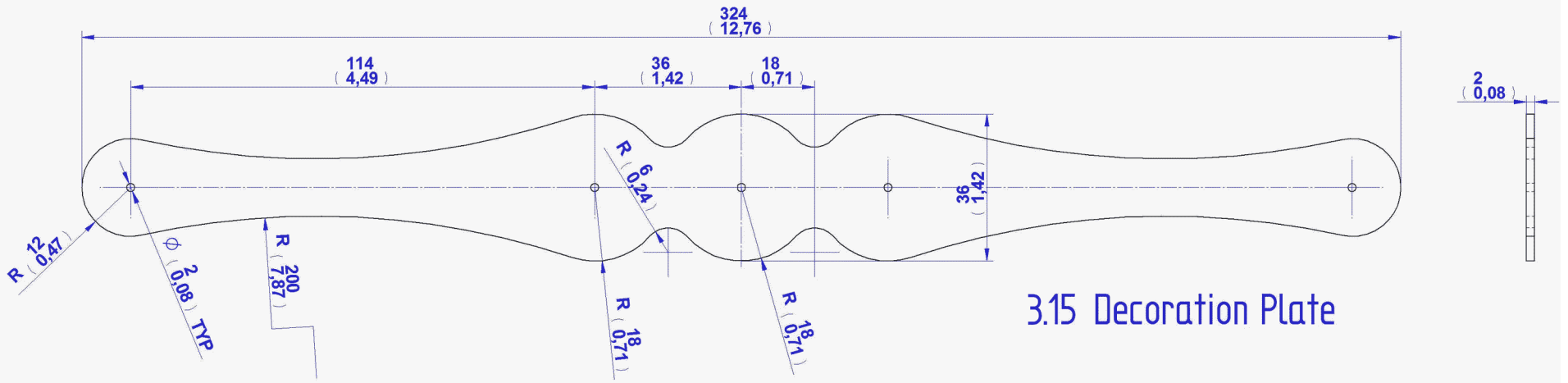
Drill holes during assemblage

3.10 Decoration Board



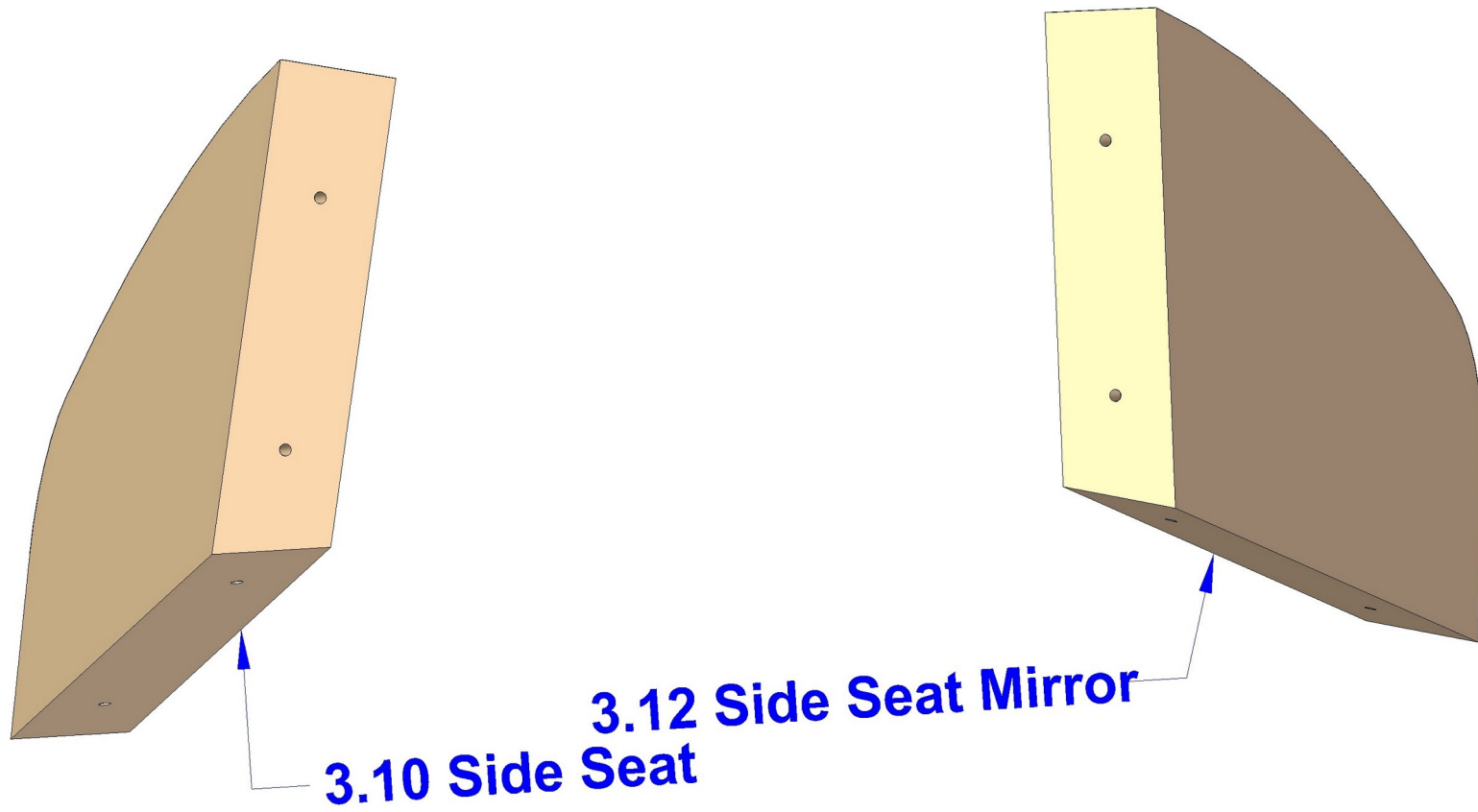


3.14 Stud Ø8 x 36mm



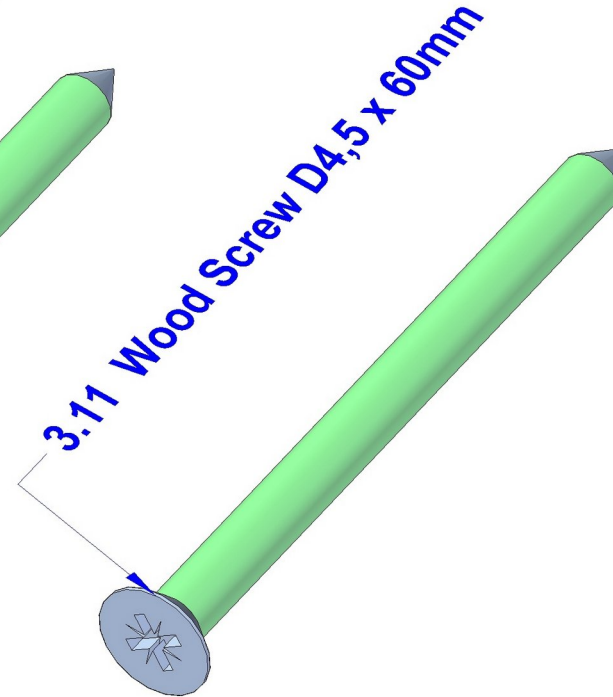
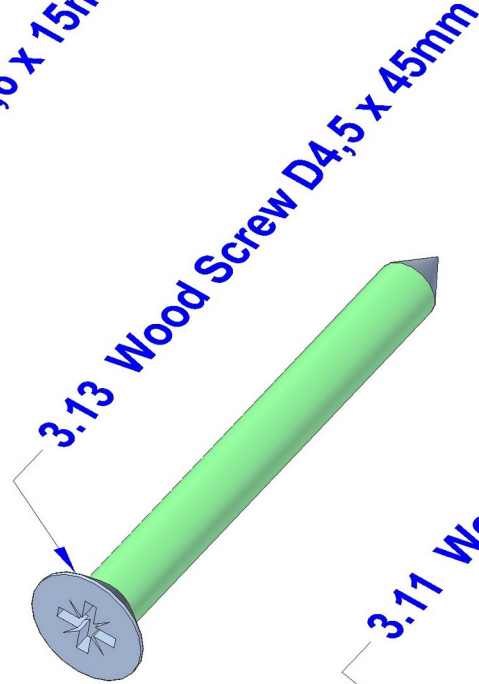
Drill holes during assemblage

3.17 Bottom Support



Standard parts

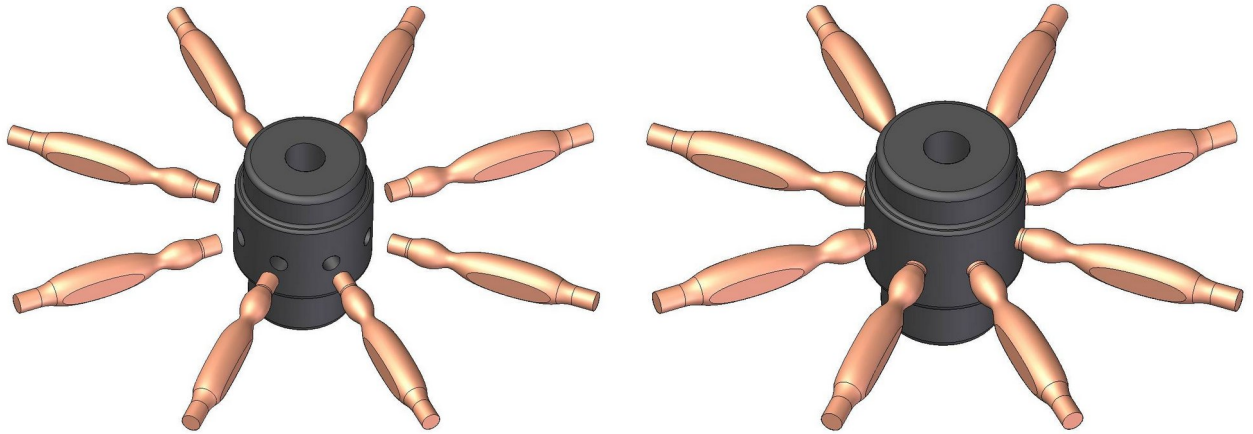
STANDARD PARTS



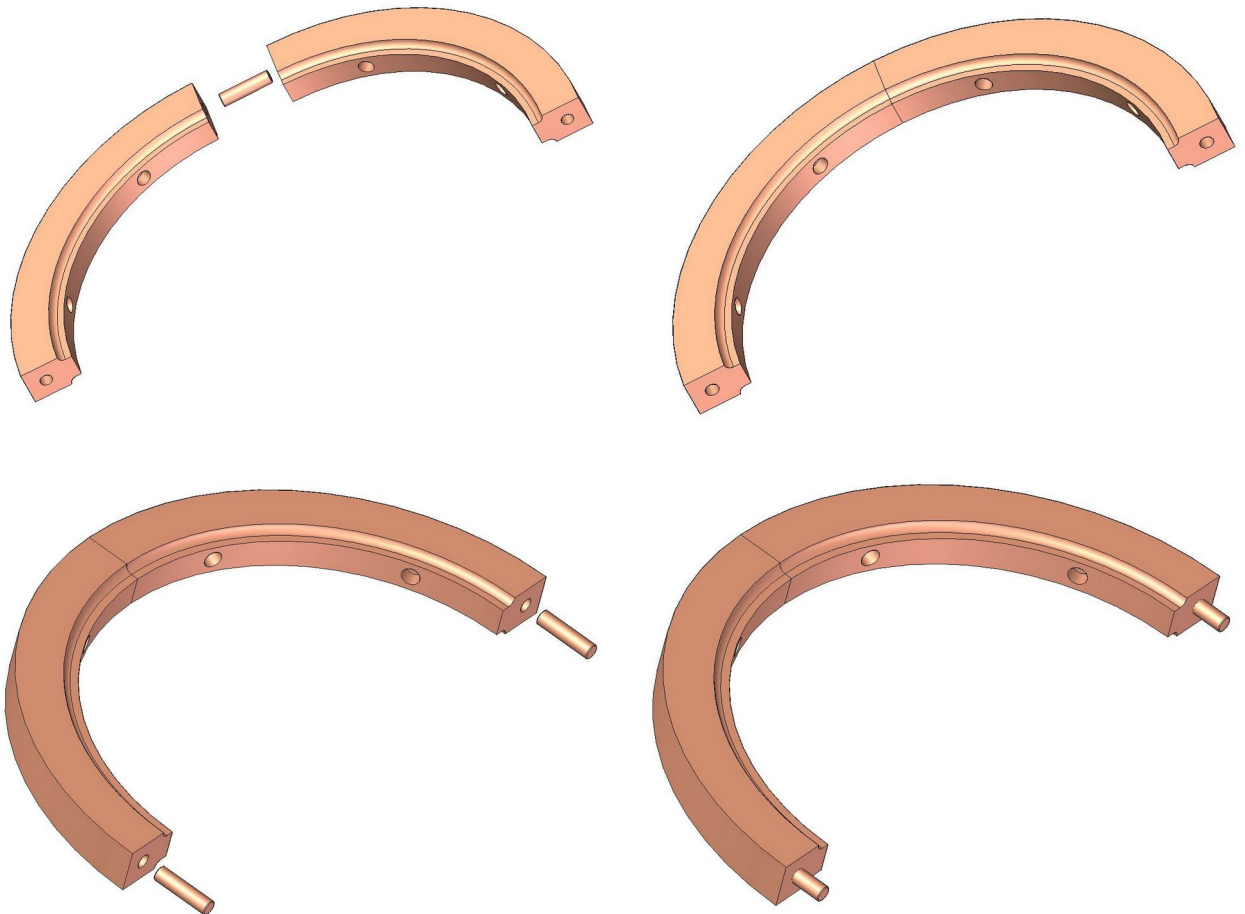
Assemblage images

1. WHEEL

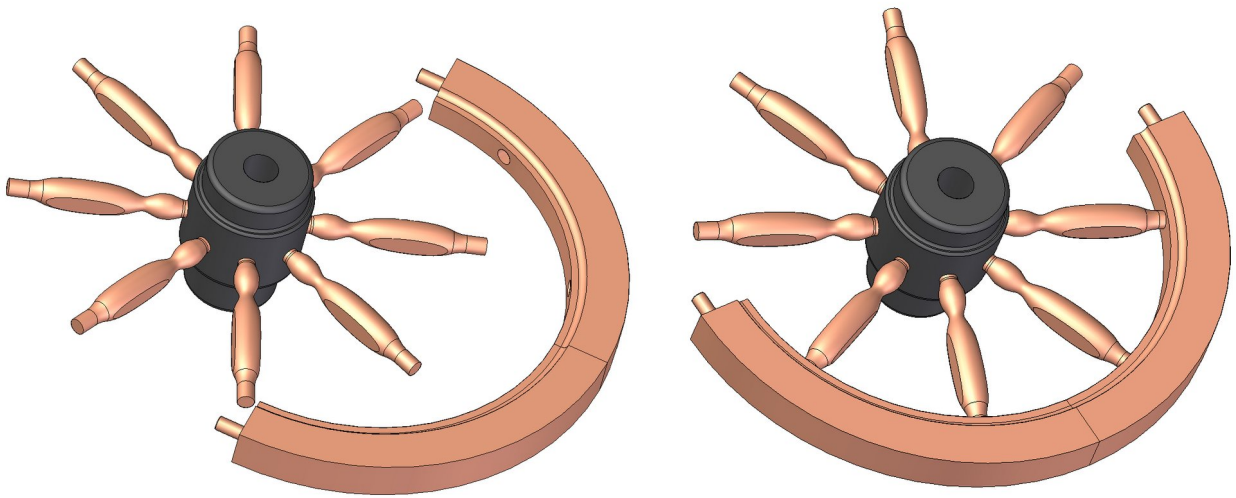
1.



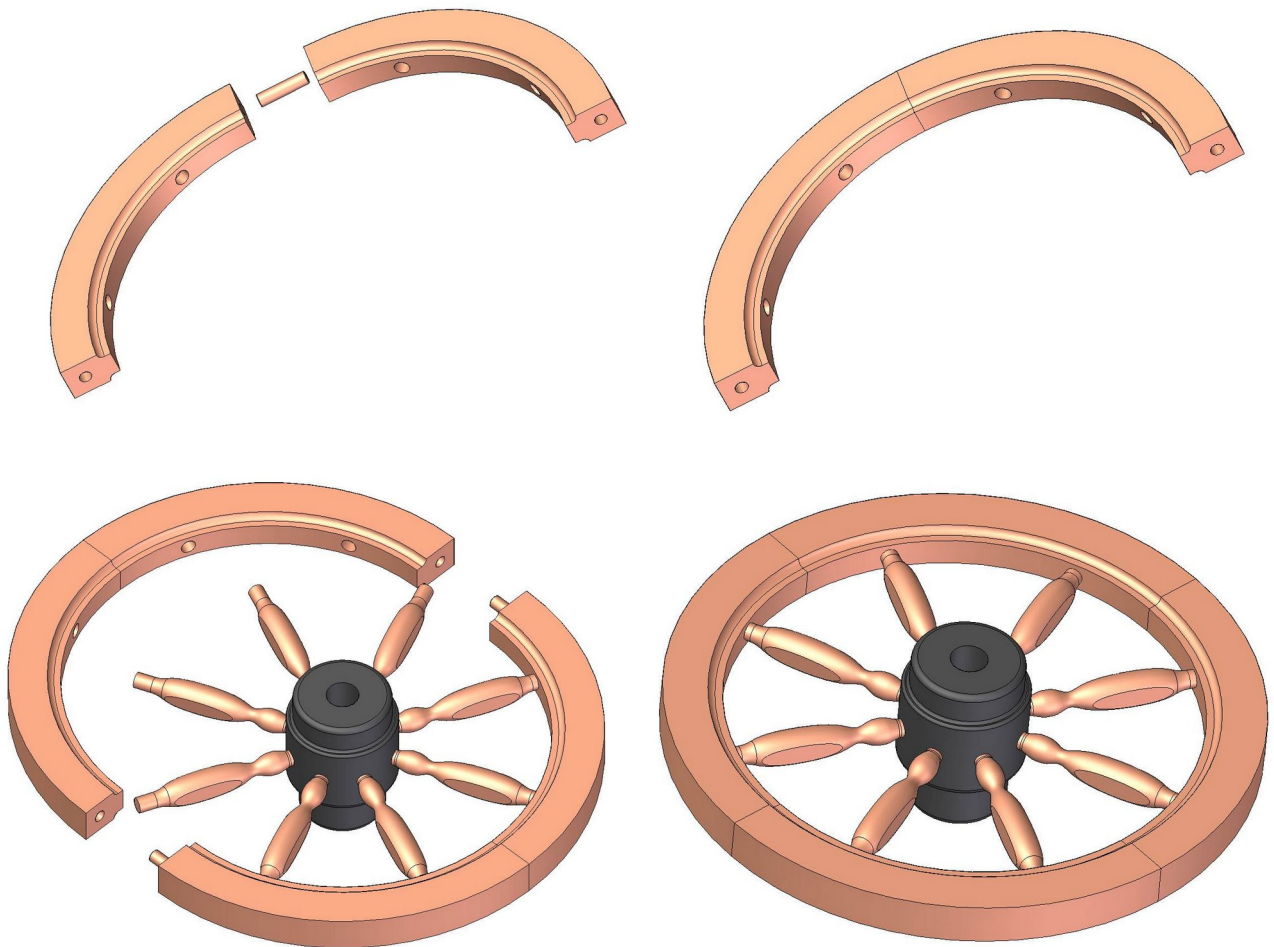
2.



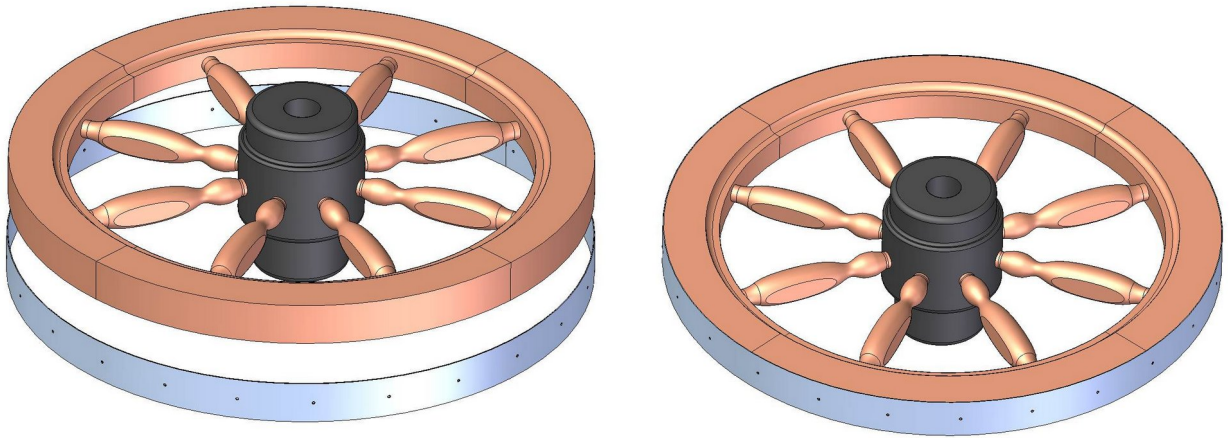
3.



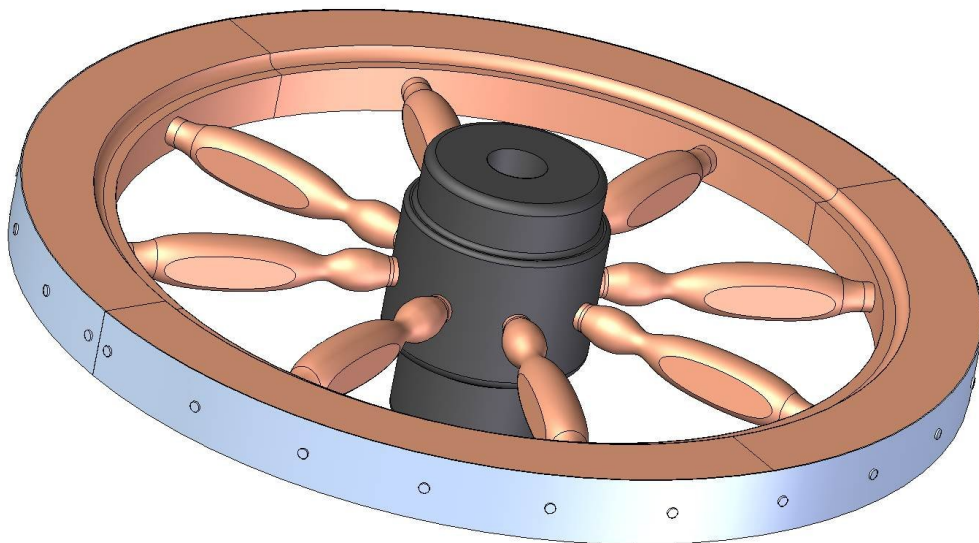
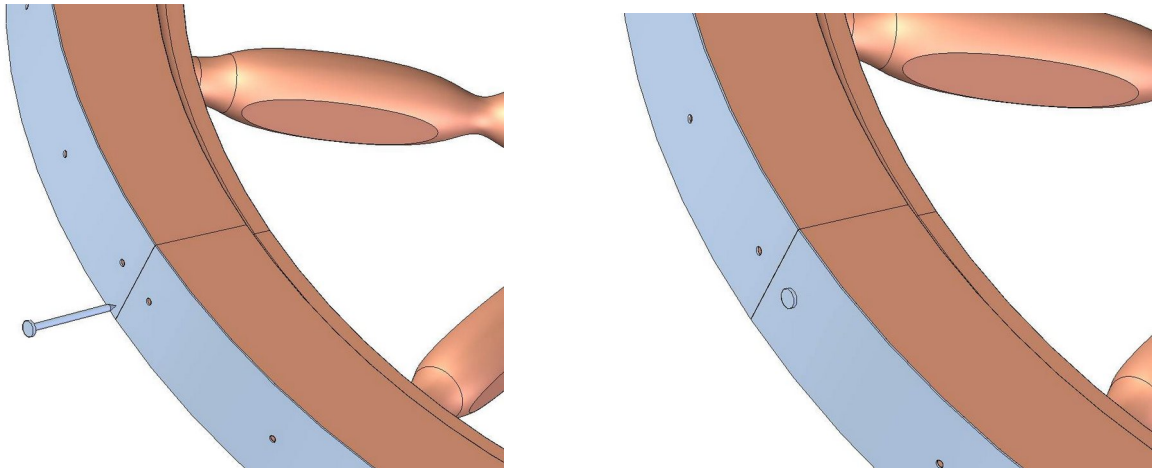
4.



5.

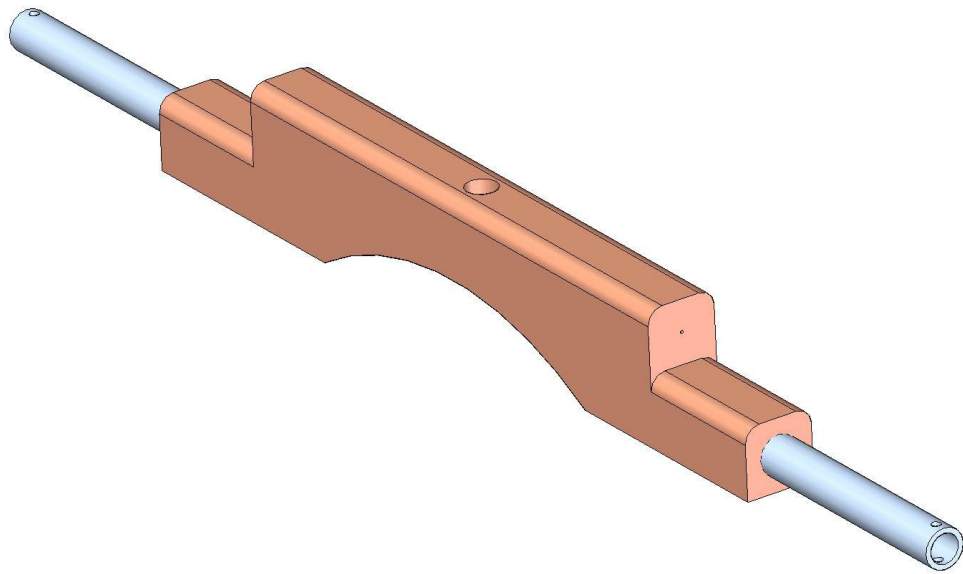
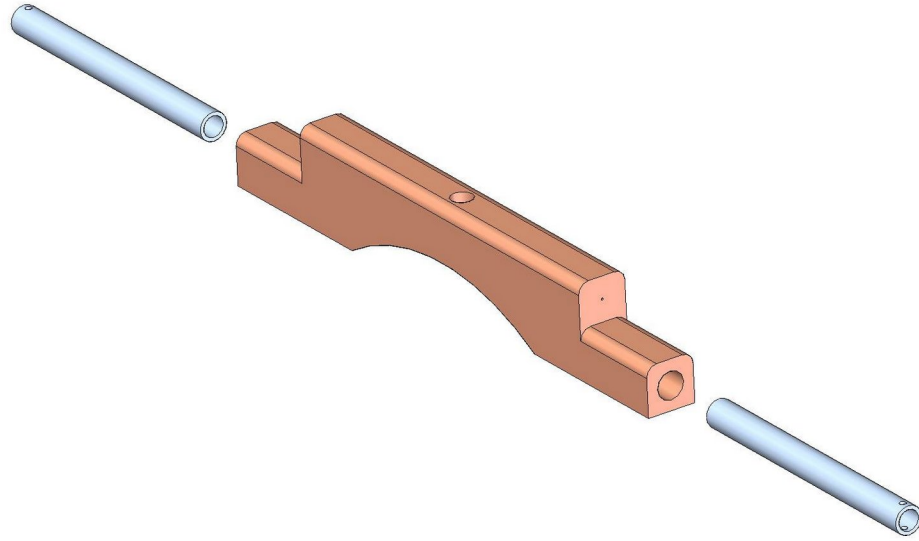


6.

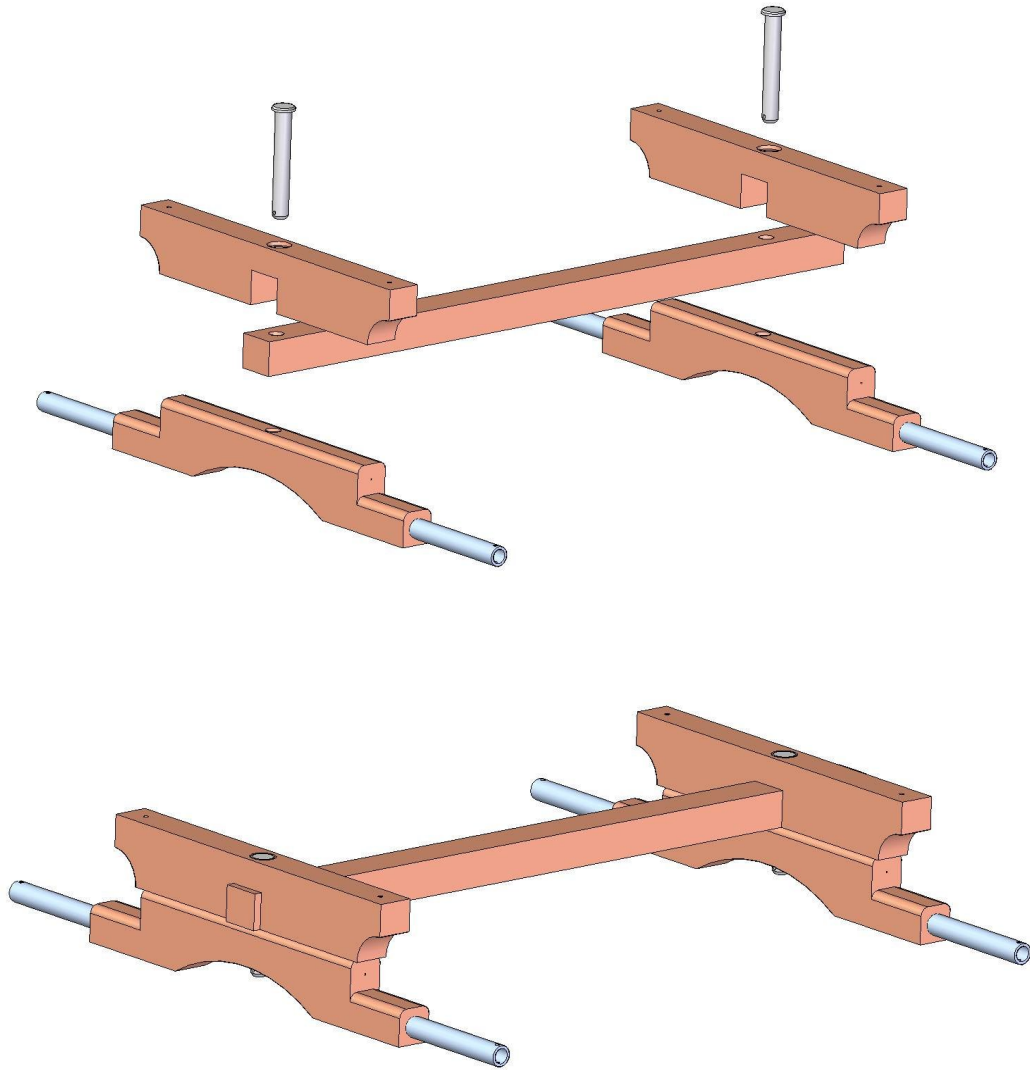


2. THE BASE

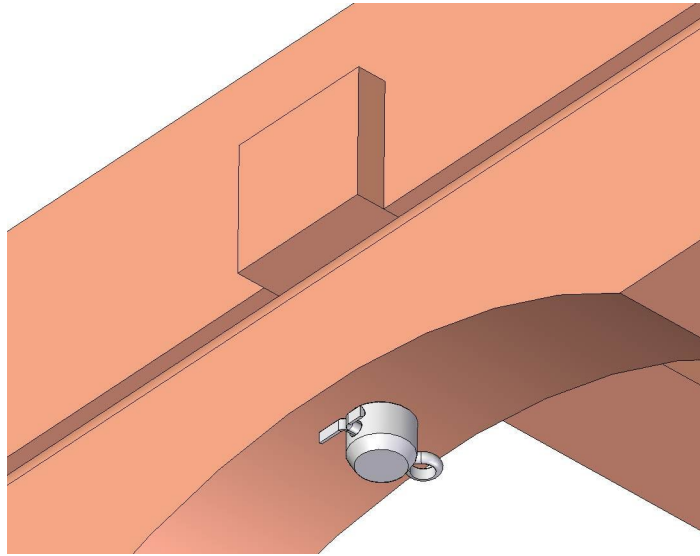
1.



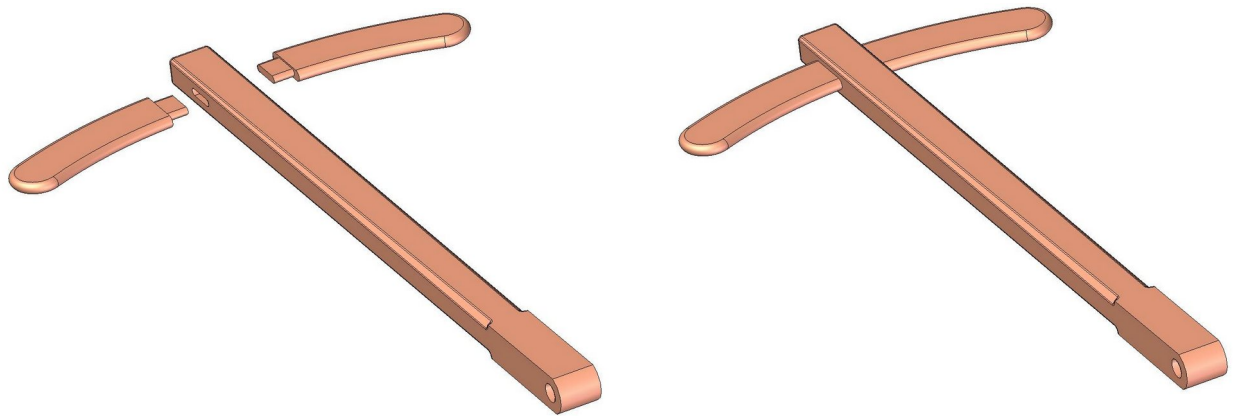
2.



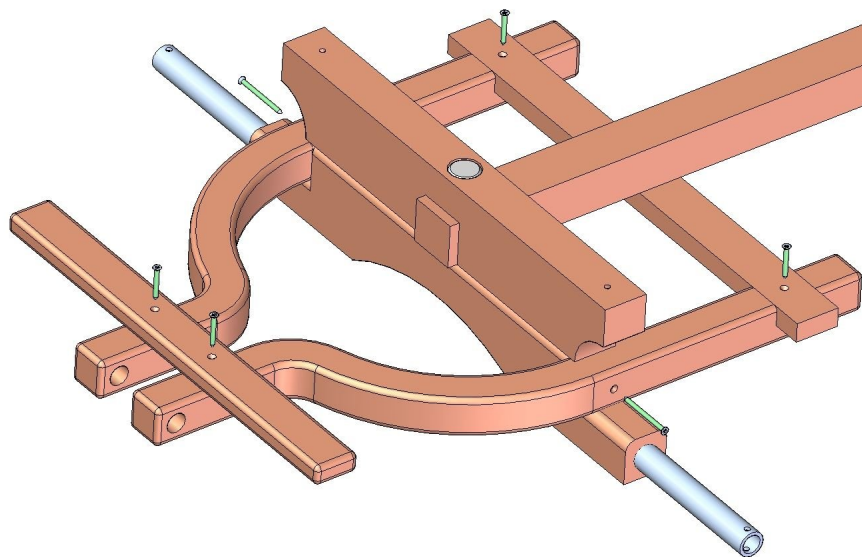
3.

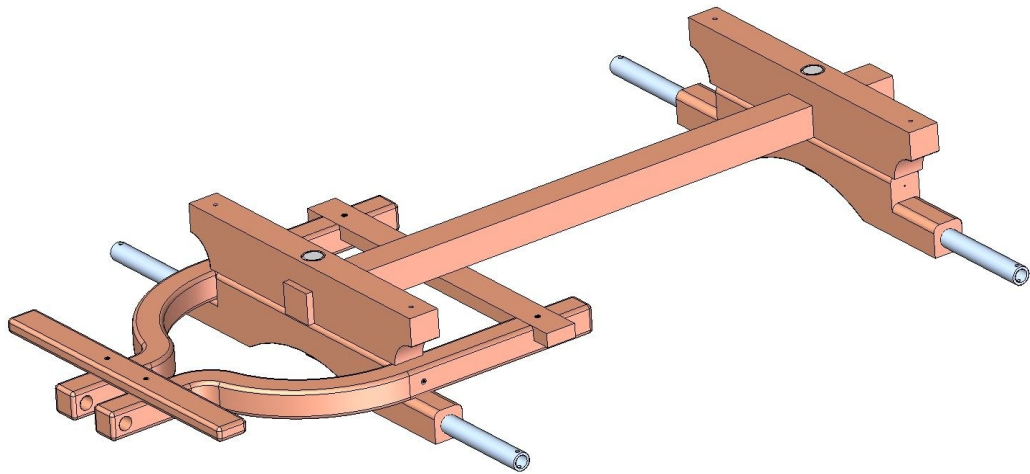


4.

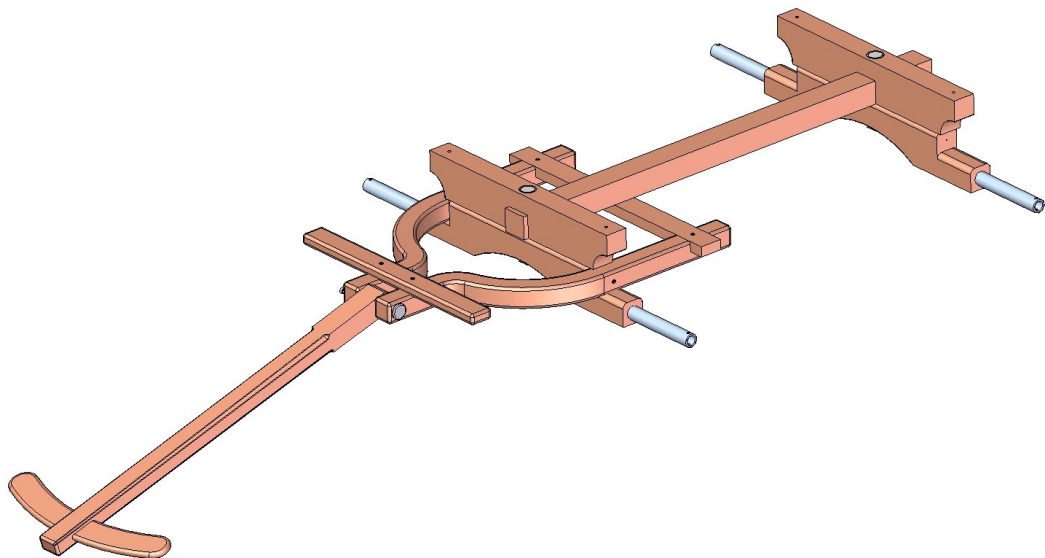
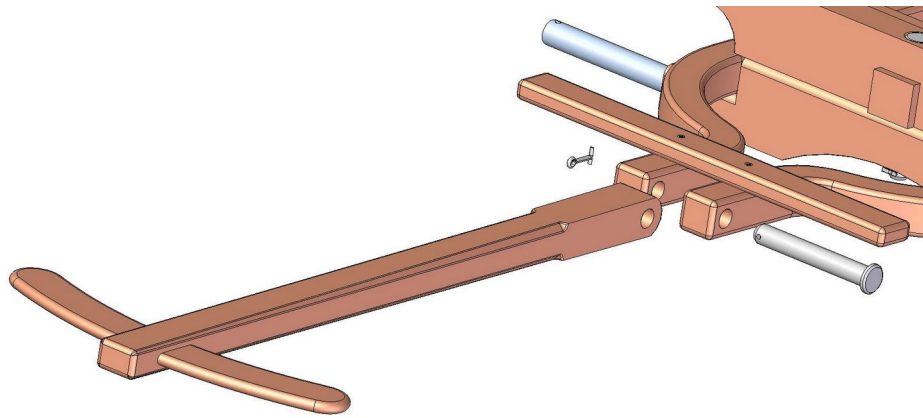


5.



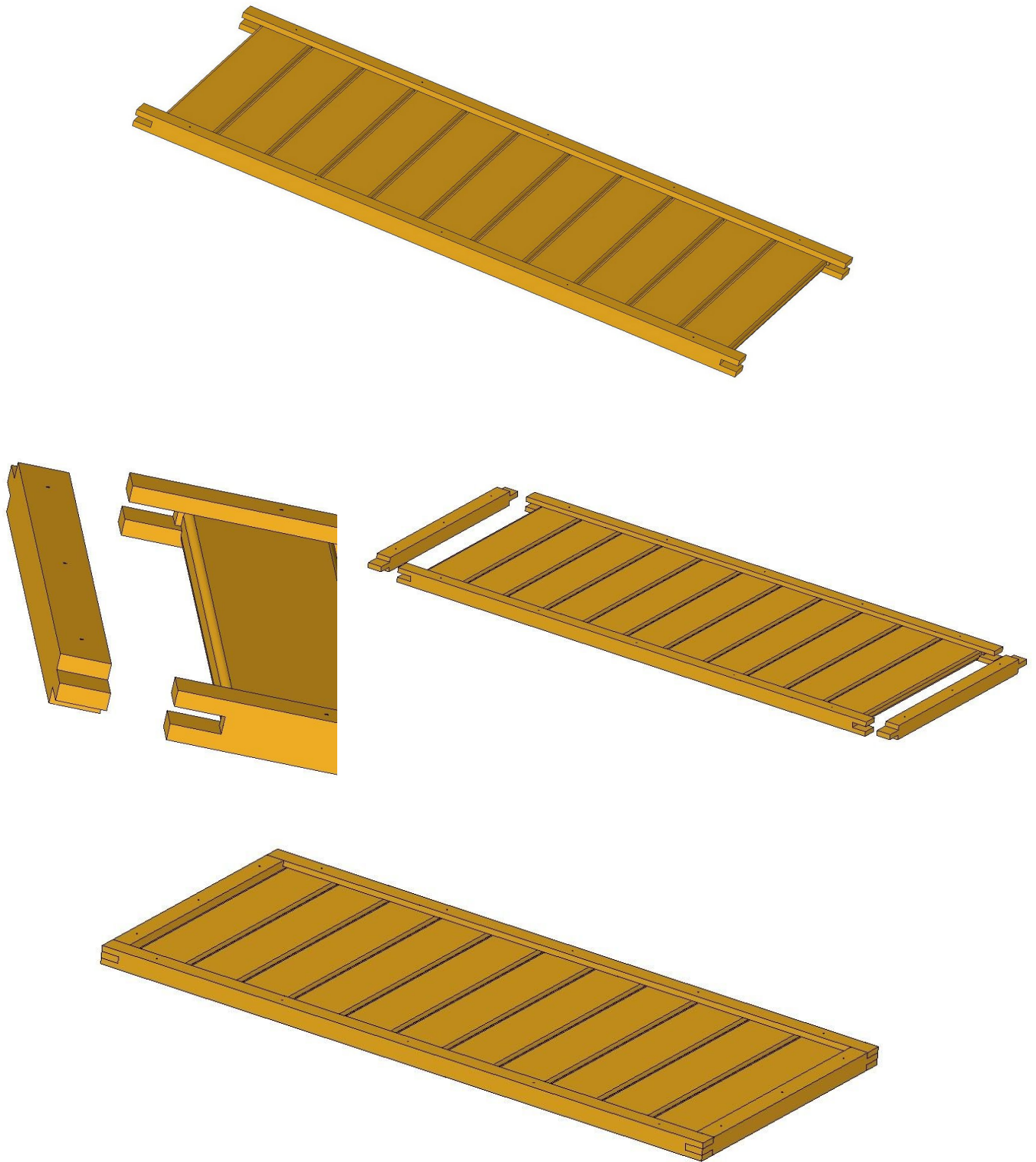


6.

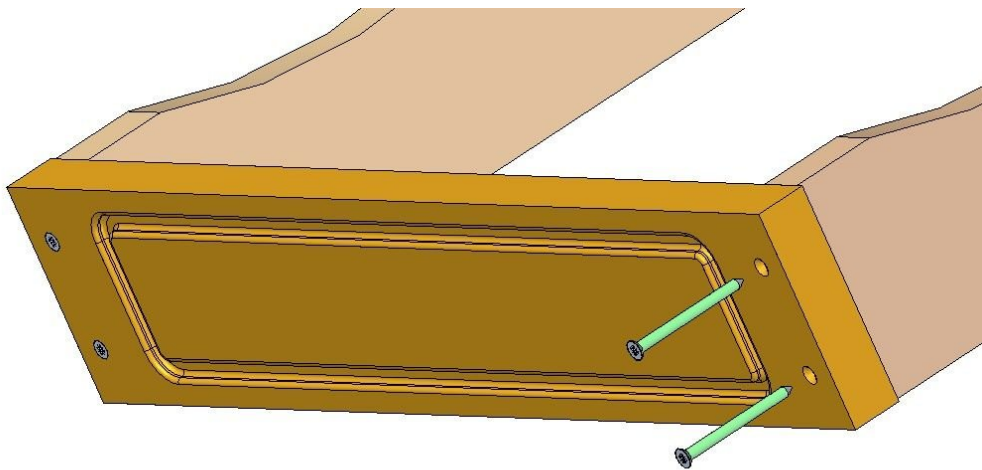
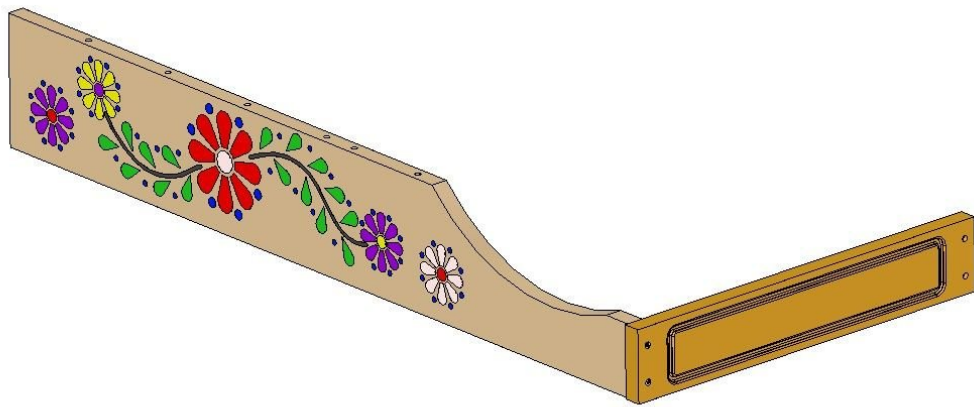
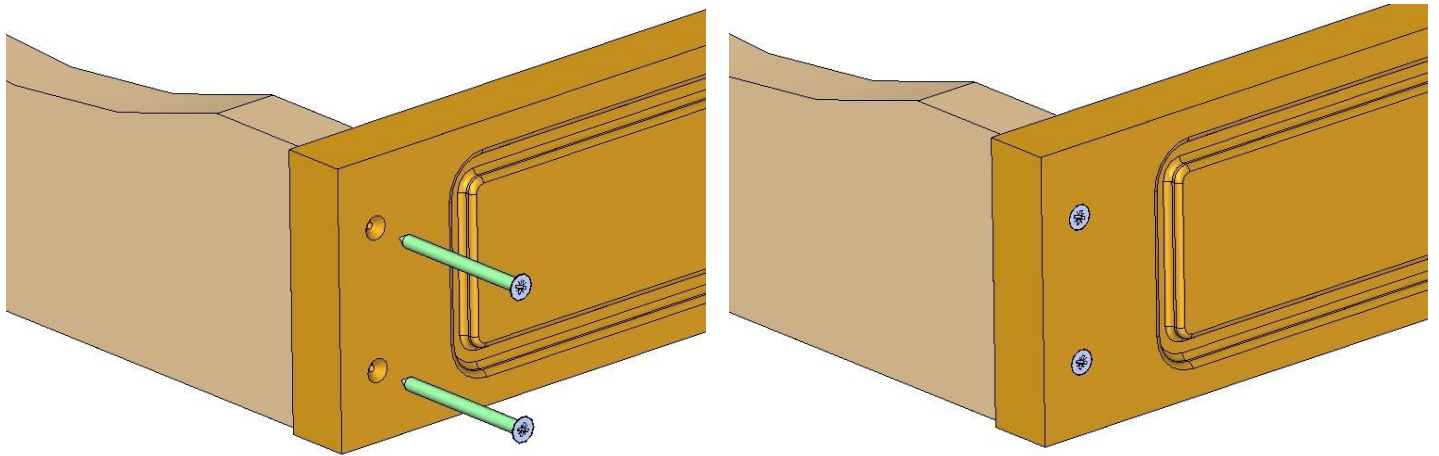


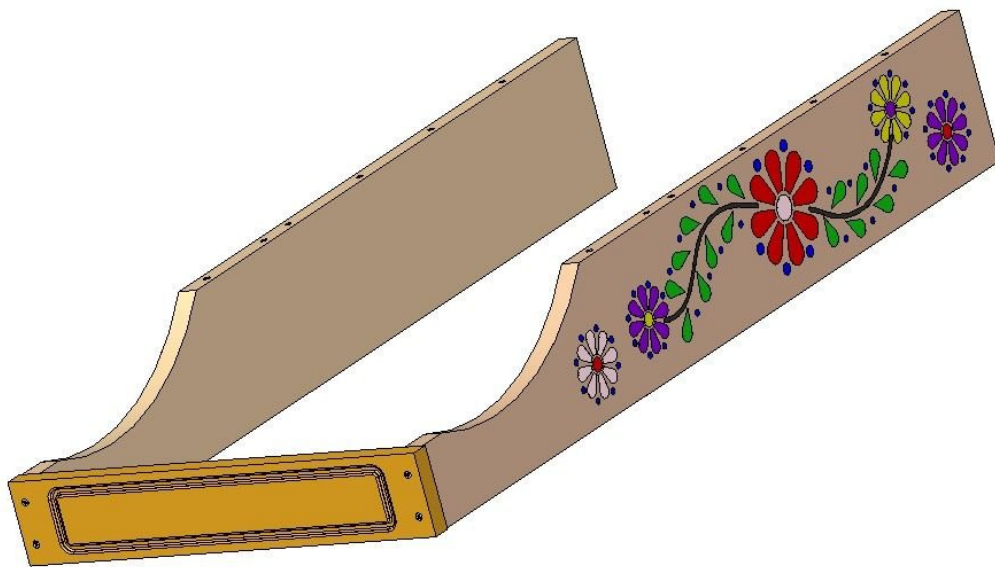
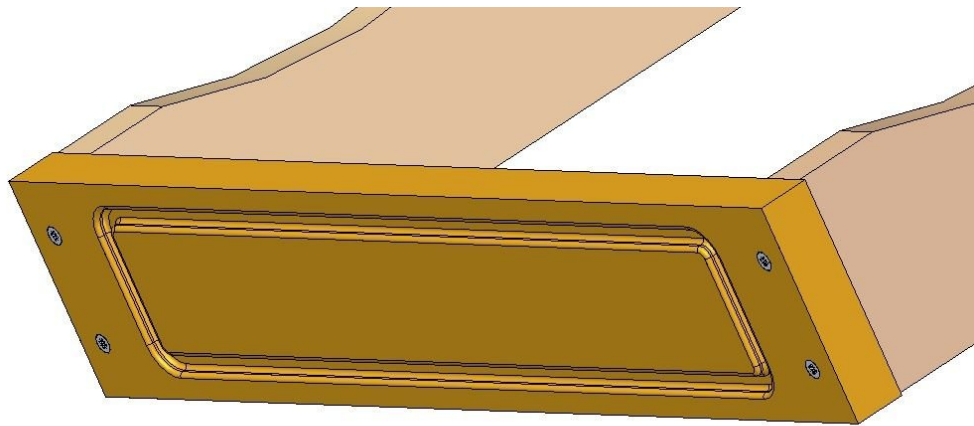
3. FLOWER BOX

1.

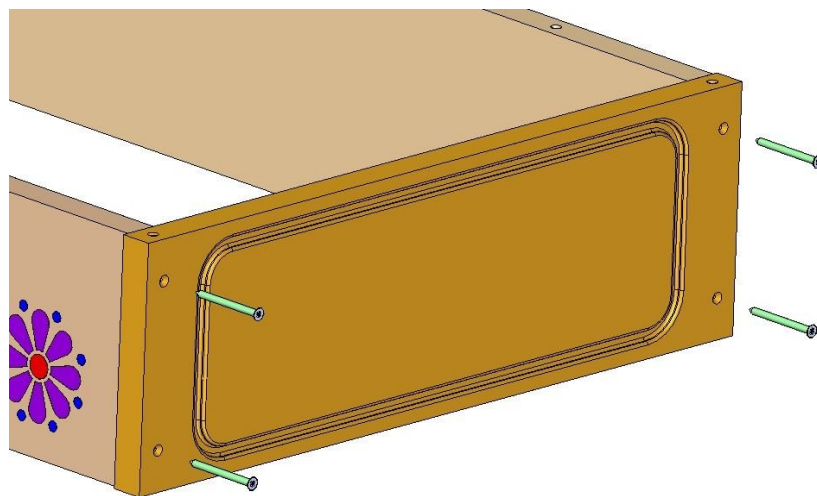


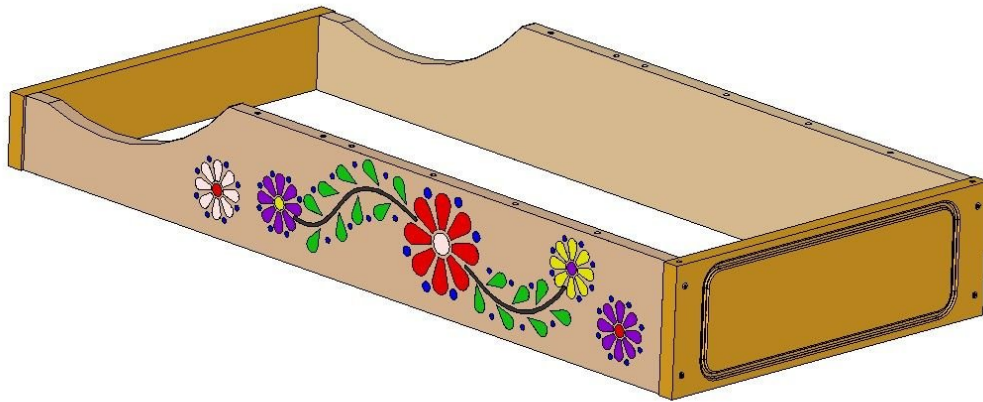
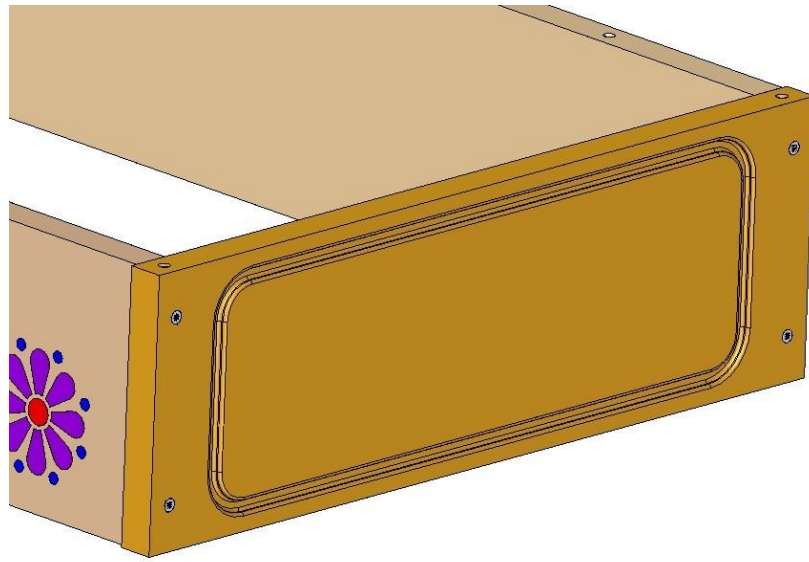
2.



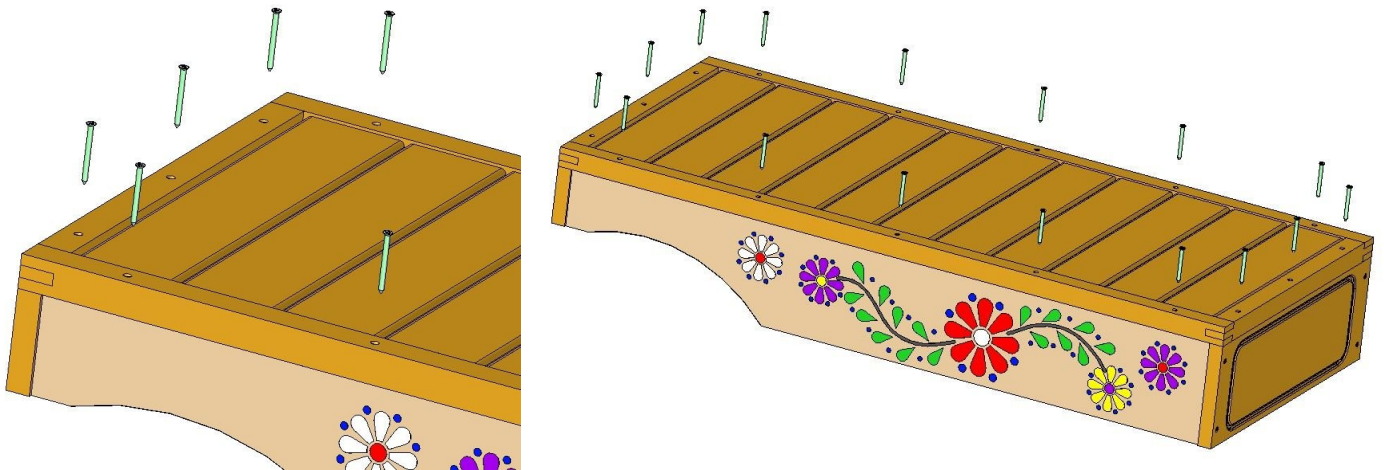


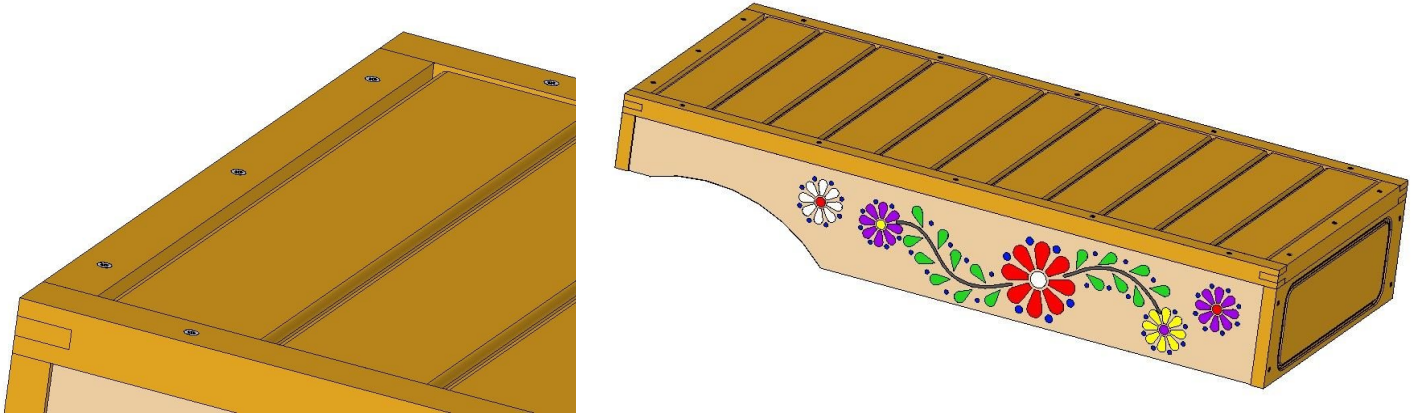
3.



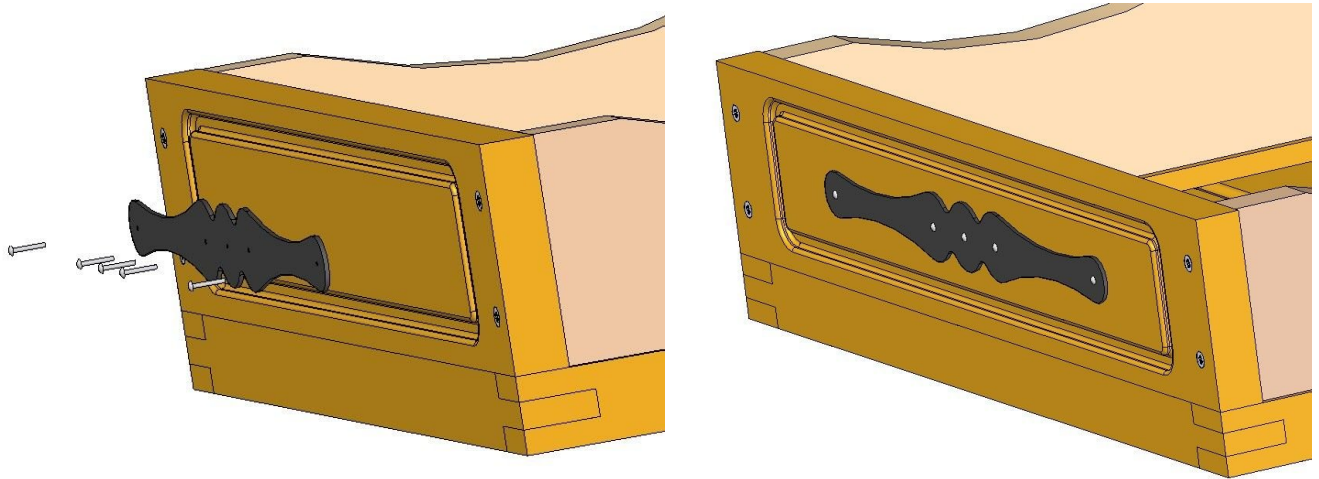


4.

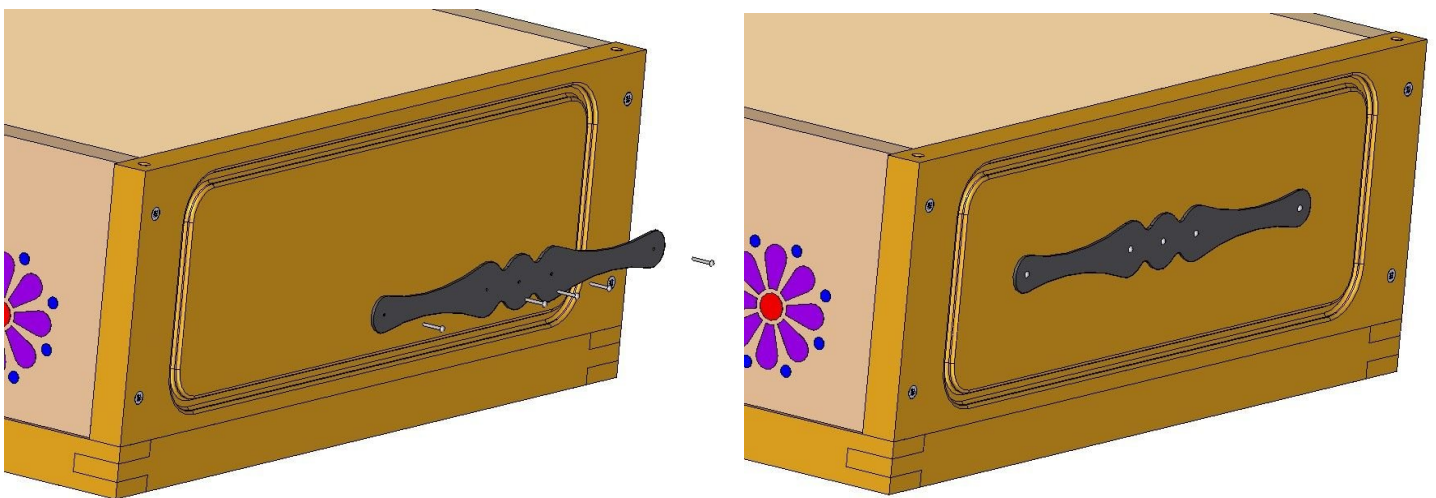




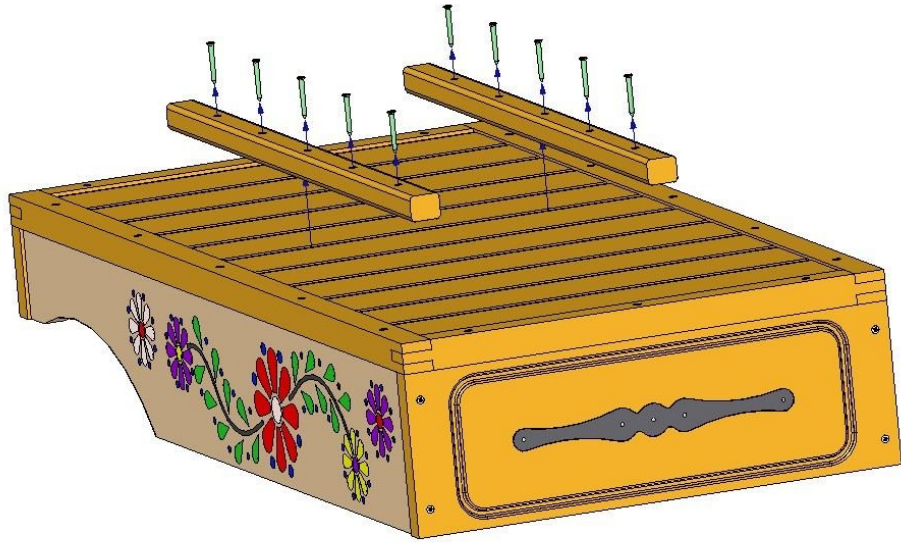
5.



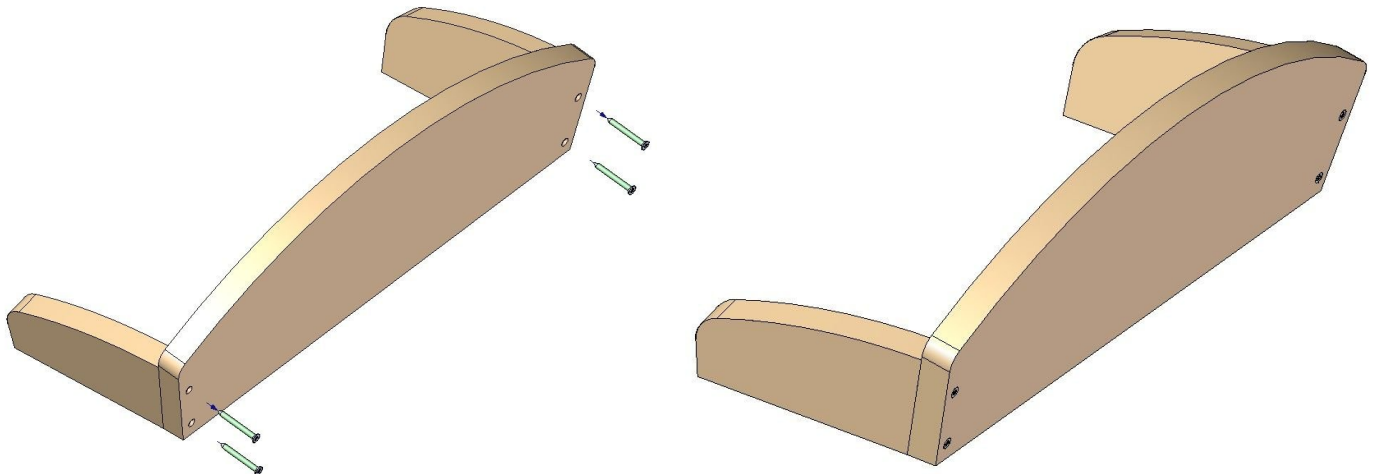
6.



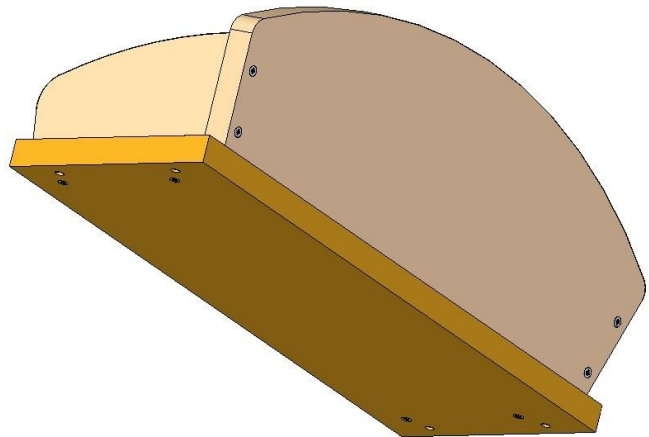
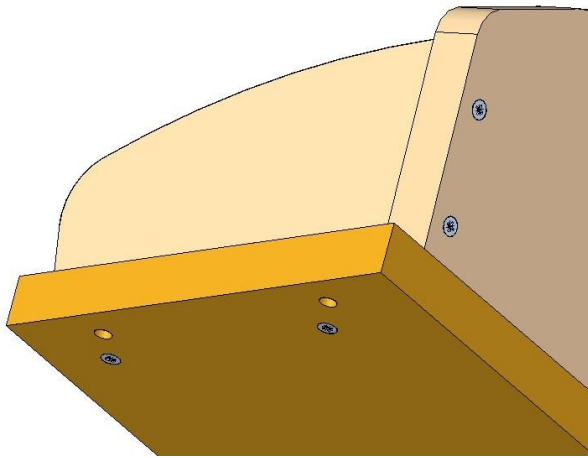
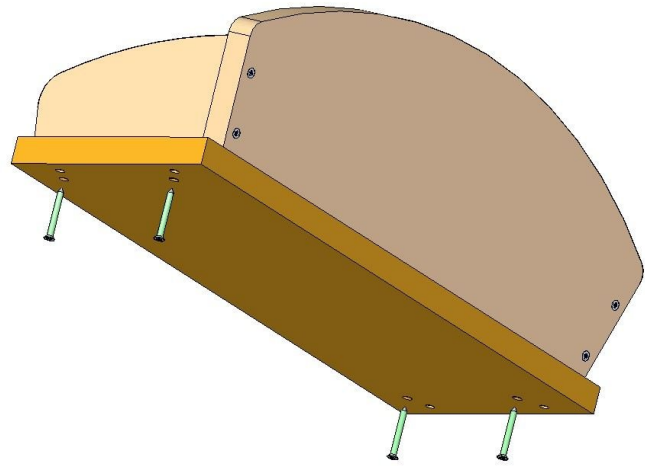
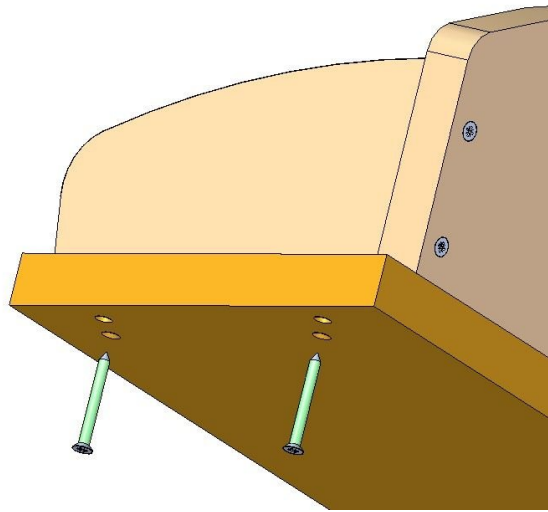
7.



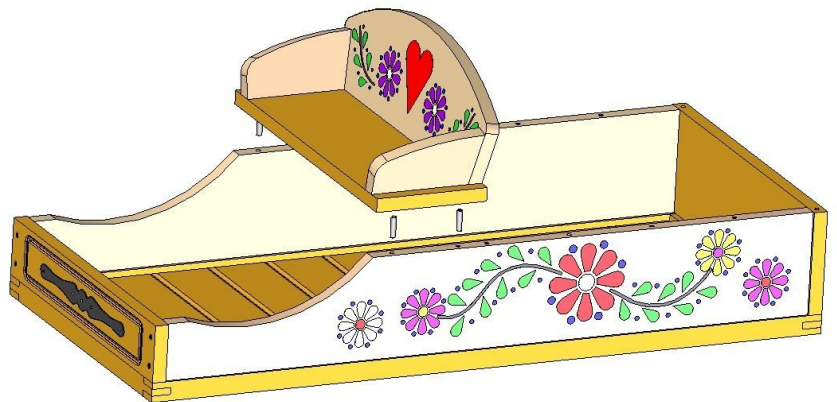
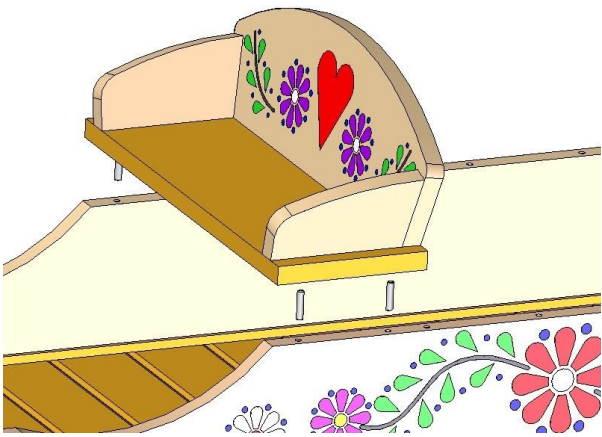
8.

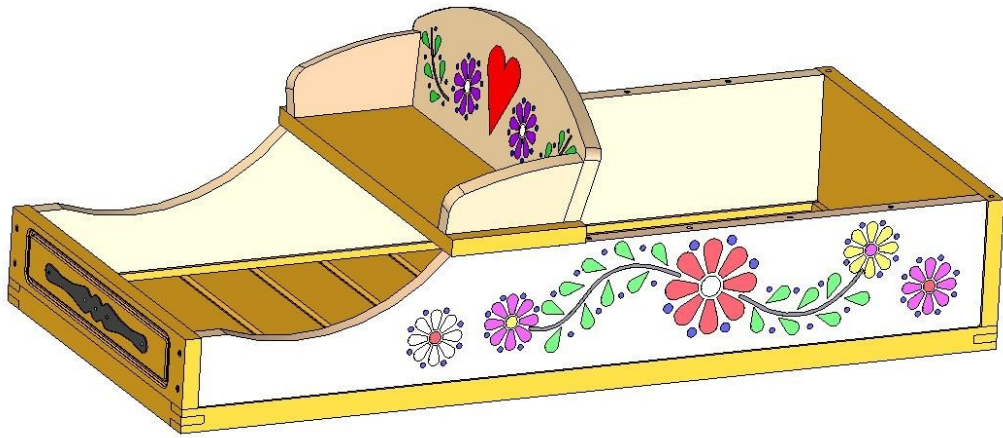


9.

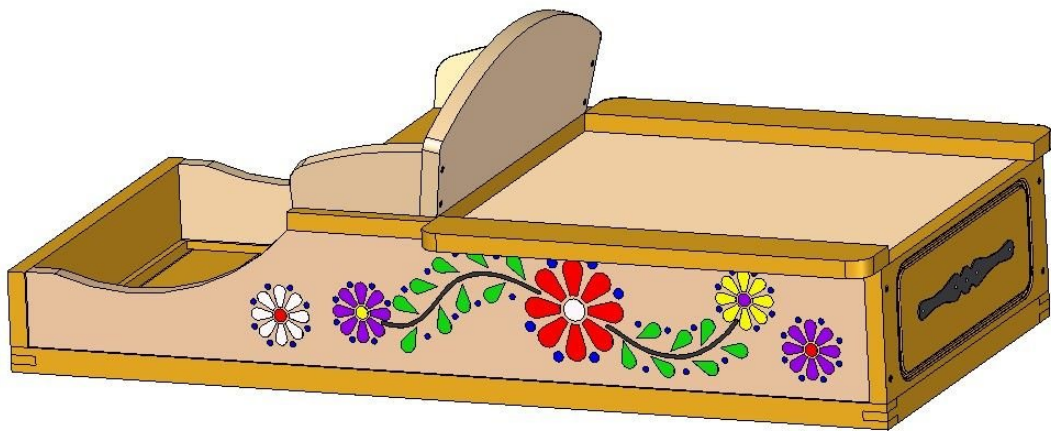
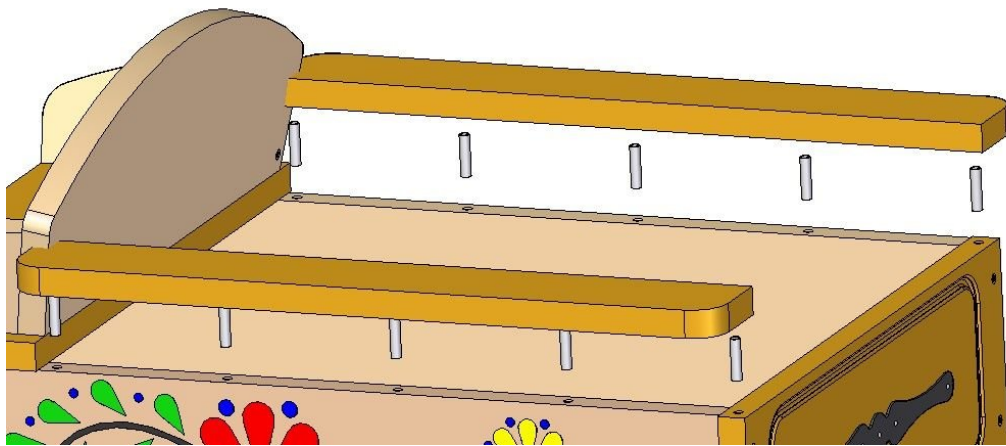


10.



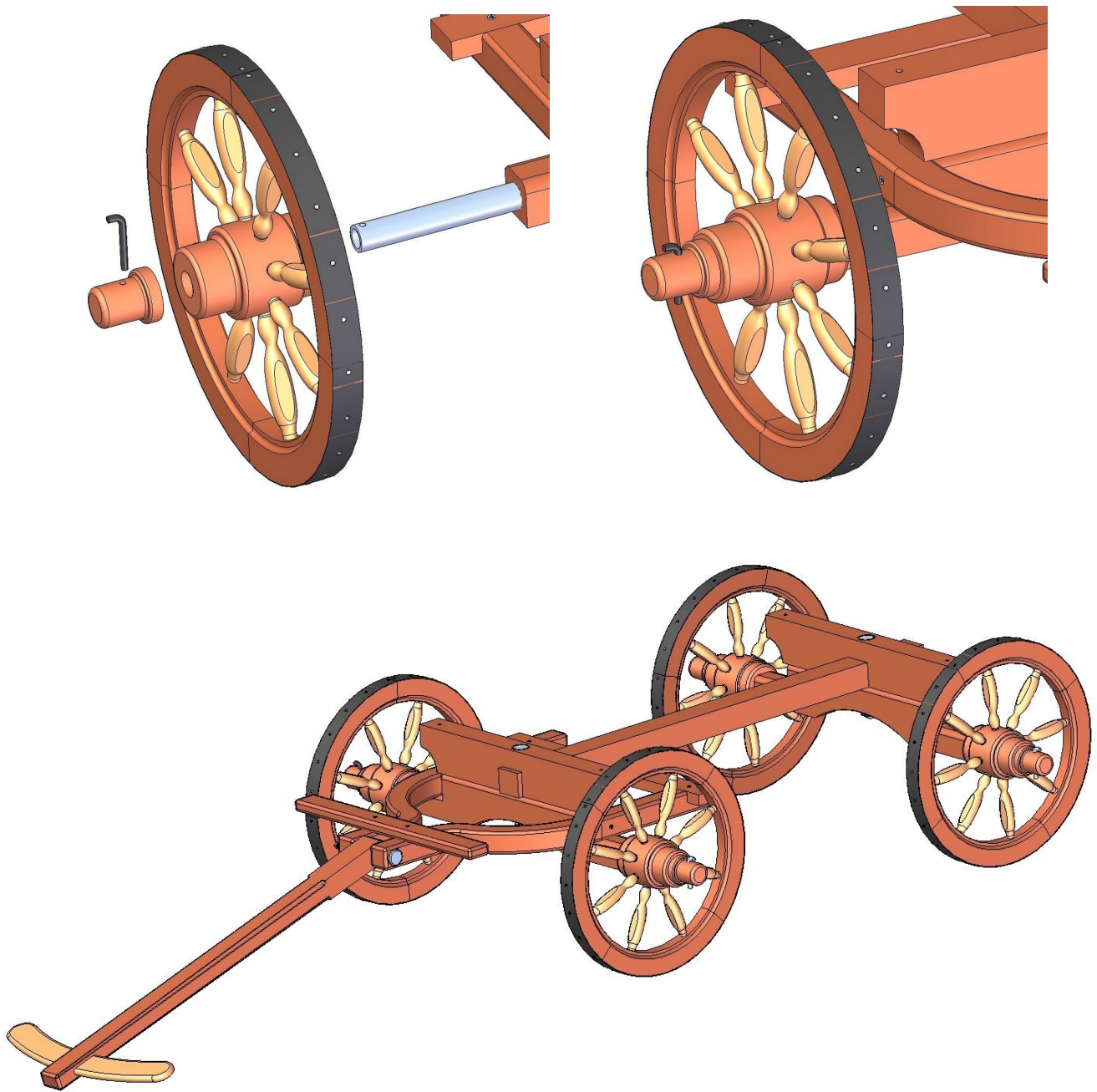


11.



Wagon pot stand assemblage

1.



2.

