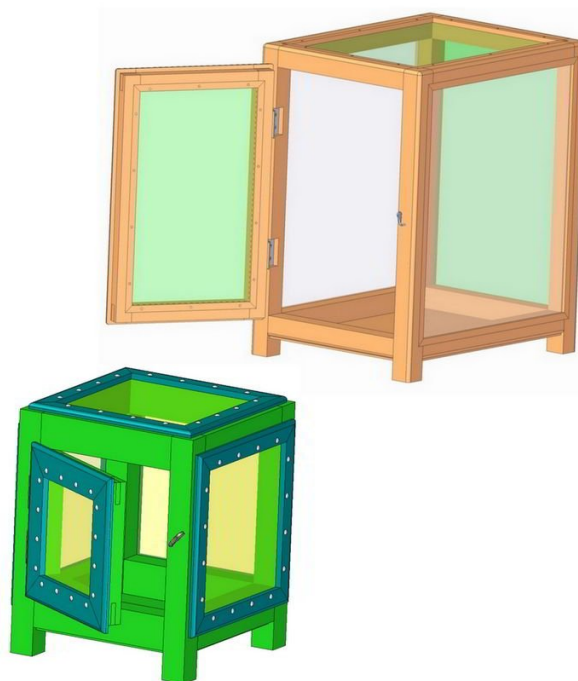


INSECT CAGE PLANS

Did you ever wanted to have a pet, but you simply don't have the time for a cat or a dog? Well, you could try to build this insect cage, fill it with some beautiful insects and learn they habits, watch them eat, sleep, breed, etc. It will bring a piece of wild nature into your home.

This insect cage (insectarium = vivarium for insects) is designed for insect care and breeding. It can be installed at your home, but in schools and laboratory also, as an educational kit.



During its manufacture you should pay attention to the edges. They should be firmly overlapping. Before the insect settling, you should cover the bottom of cage with some kind of paper, so you could easily clean its interior. On the side walls and the top of the cage you should mount a fine net (for example the mosquito net, the net used by beekeepers for the face protection, or even the pieces of curtain). This net should be so fine, that even the smallest insect can't get through it. This is very important, not only to prevent your insects getting out of the cage, but also to keep out the spiders or unwanted insects like wasps or other predators from getting into the cage that could cause disease or death of your insects. If you breed the kind of insects that require high air humidity, then you should put the glass on cage sides instead of the net.

This kind of cage is suitable for the Phasmidas (the stick insects), praying mantis, caterpillars (before they turn into the butterflies) and for all the other slow insects.

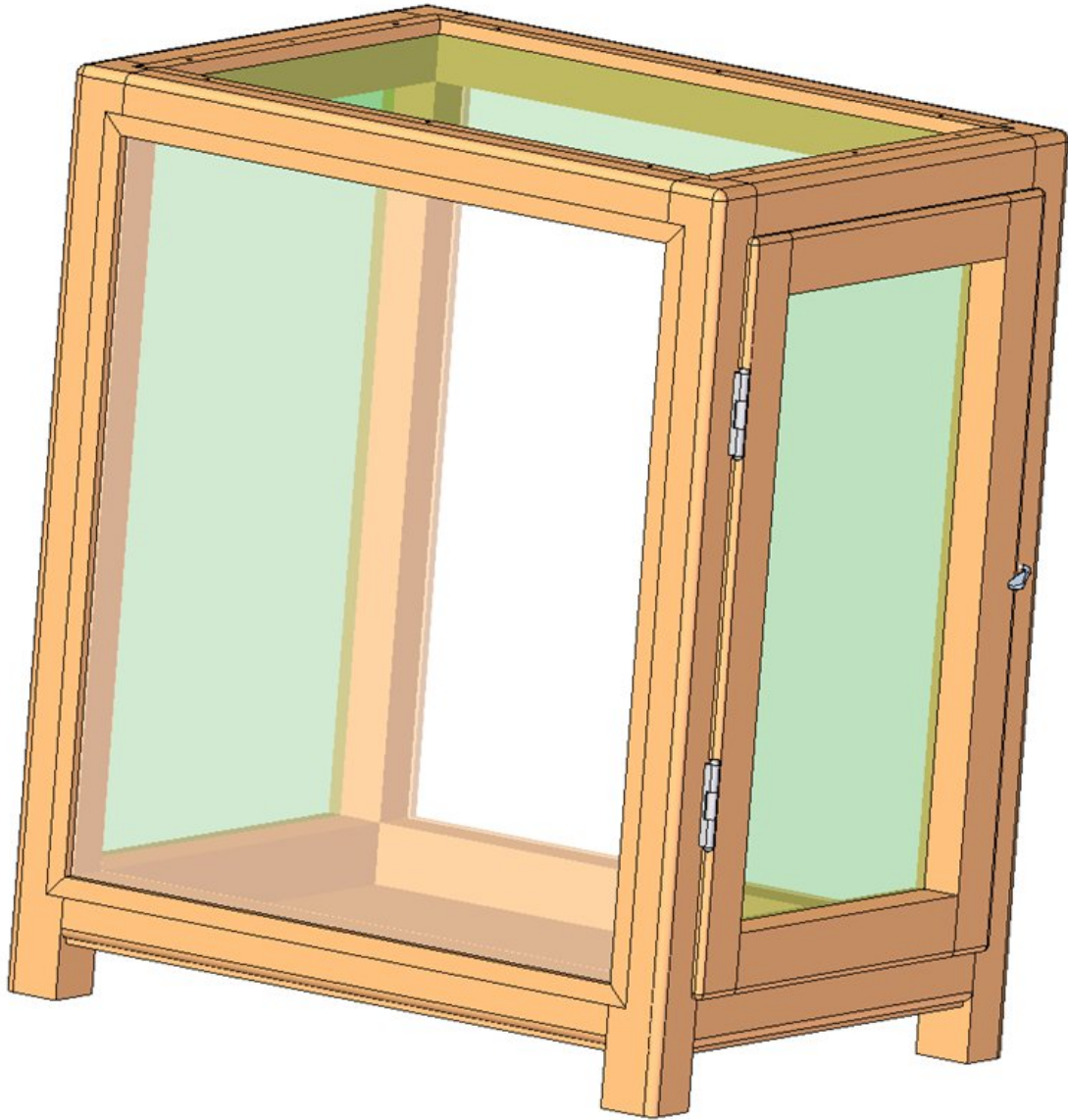
These cages are not suitable for the fast insects, or very small ones, because the whole side of one wall has the door function, so they could easily escape.

The dimensions of cage vary, depending on which kind of insects you want to breed. For example, if you breed the stick insects you should consider the fact they attach themselves onto the “ceiling” during their shedding period. Because of this, the cage height should be at least triple the size of the adult length (body + front legs). Out of the same reason, it is better to mount the top with the net – not the glass – so the insects can hook themselves easily before the shedding period starts.

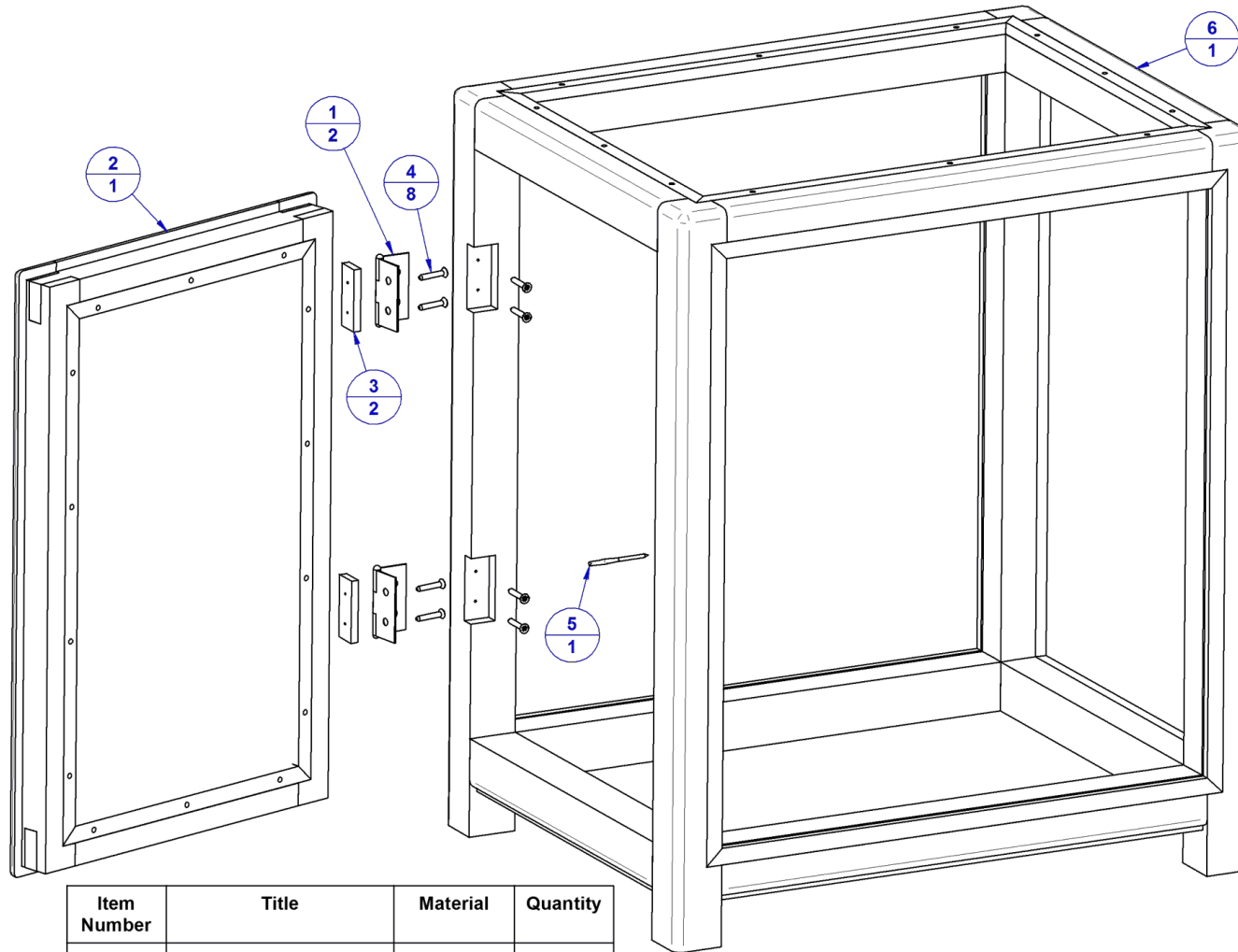
IMPORTANT: You can not use any insecticides in the room, where the insect cage is, because that action will cause the death of your pet insects too. If you have a problem with some insects like flies or mosquitoes, we are recommending you to use various insect glue traps and boards, or to take out the insect cage, spray the room, and take the insect cage on its place tomorrow.

In some countries, the mosquitoes extermination is doing by aircrafts. So, if you are familiar, that these kind of action is going to be in your area, it is necessary to keep the windows where the insect cage is closed at least one day after that.

Insect cage plan

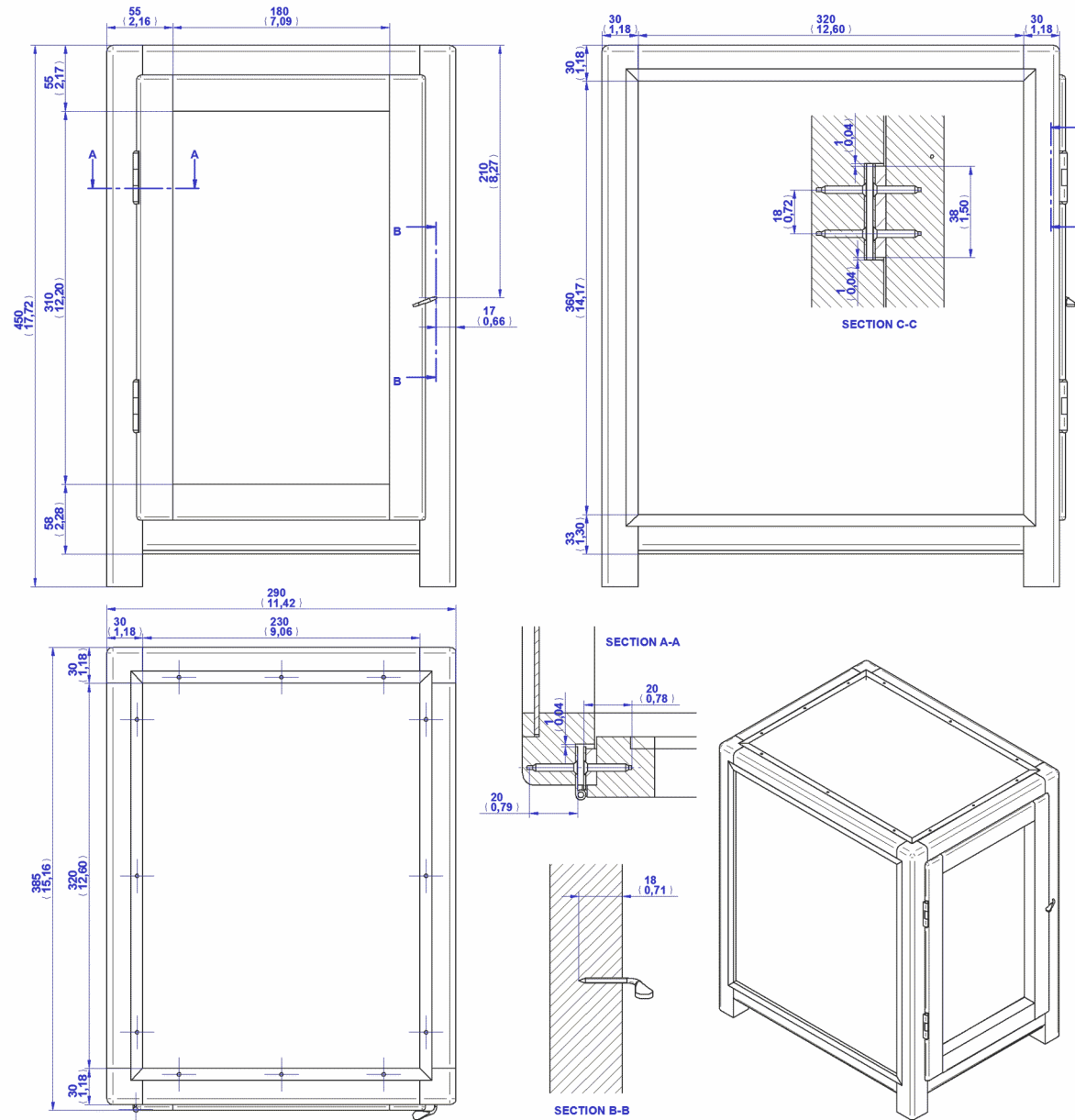


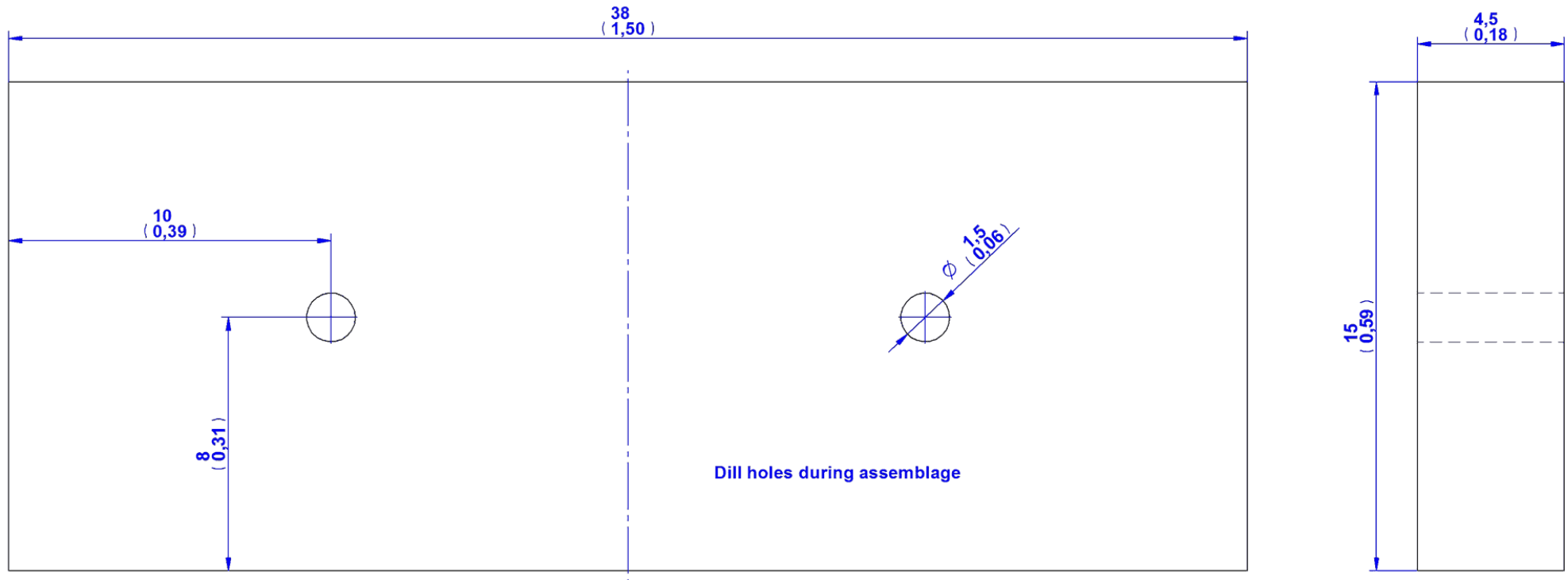
Insect cage subassembly list



Item Number	Title	Material	Quantity
1	Hinge	Steel	2
2	Door		1
3	Block	Wood	2
4	Wood screw D3 x 20mm	Steel	8
5	Lock Screw	Steel	1
6	Cage		1

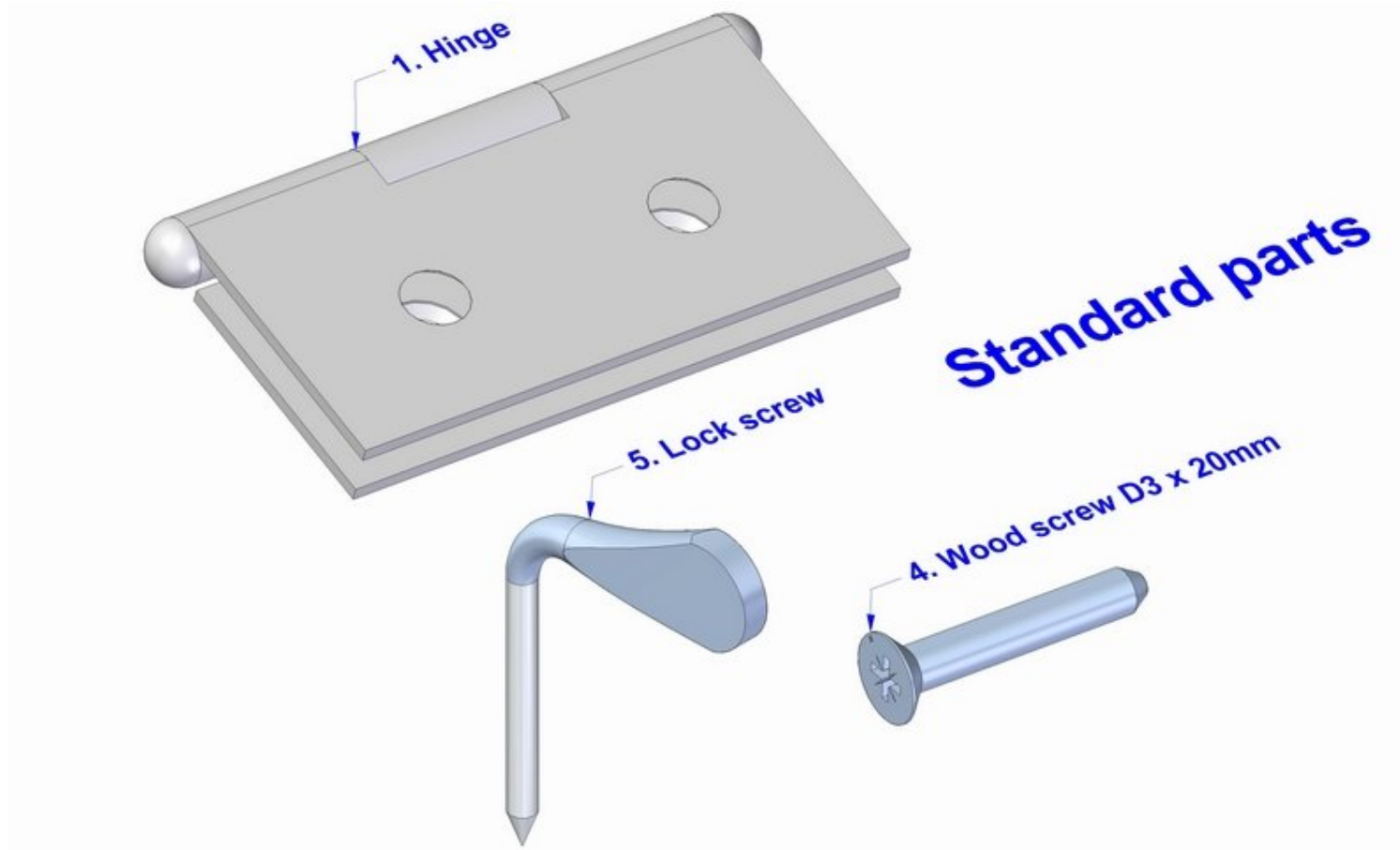
Insect cage assembly 2D drawing



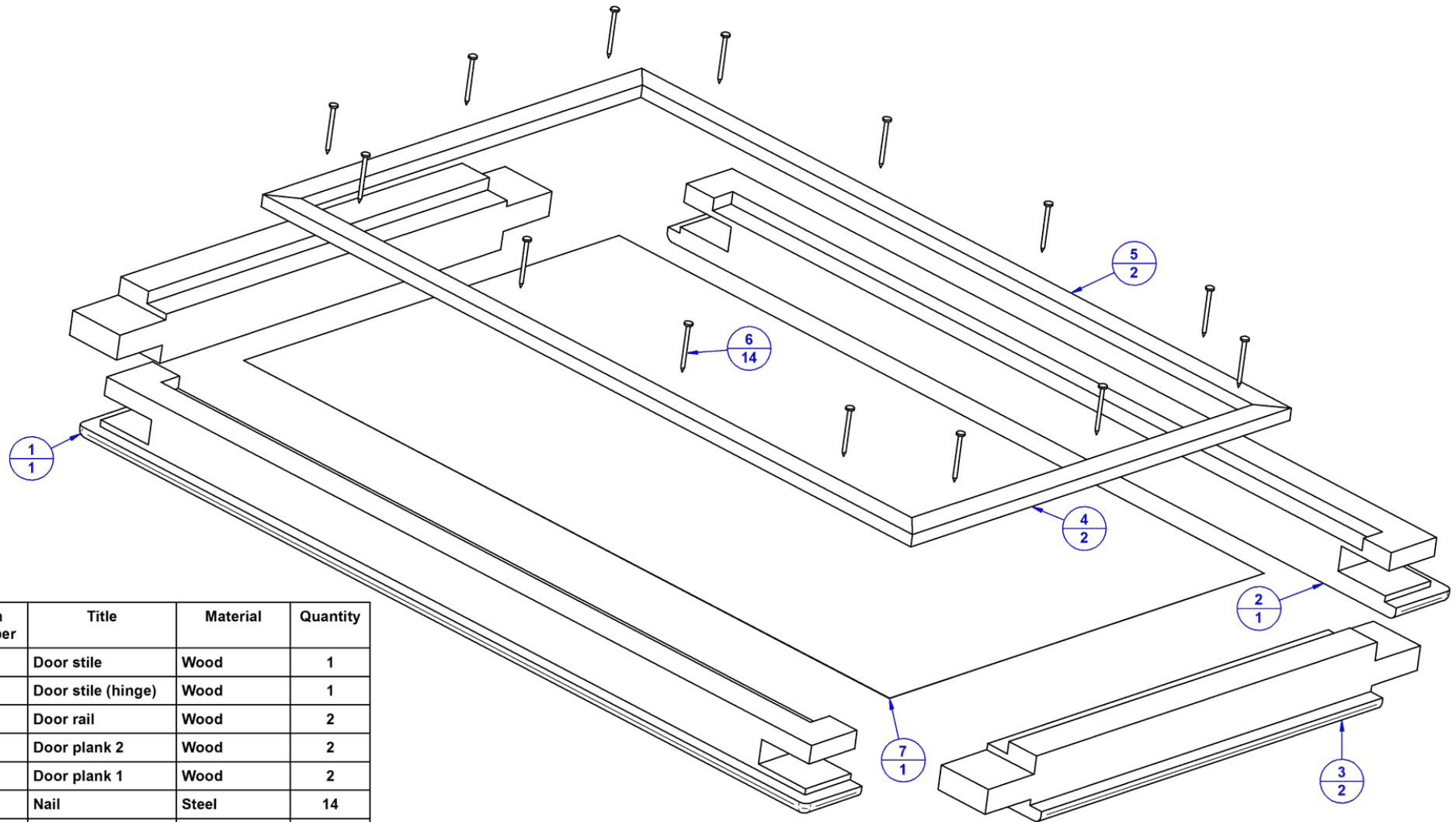


3. Block

Insect cage standard parts

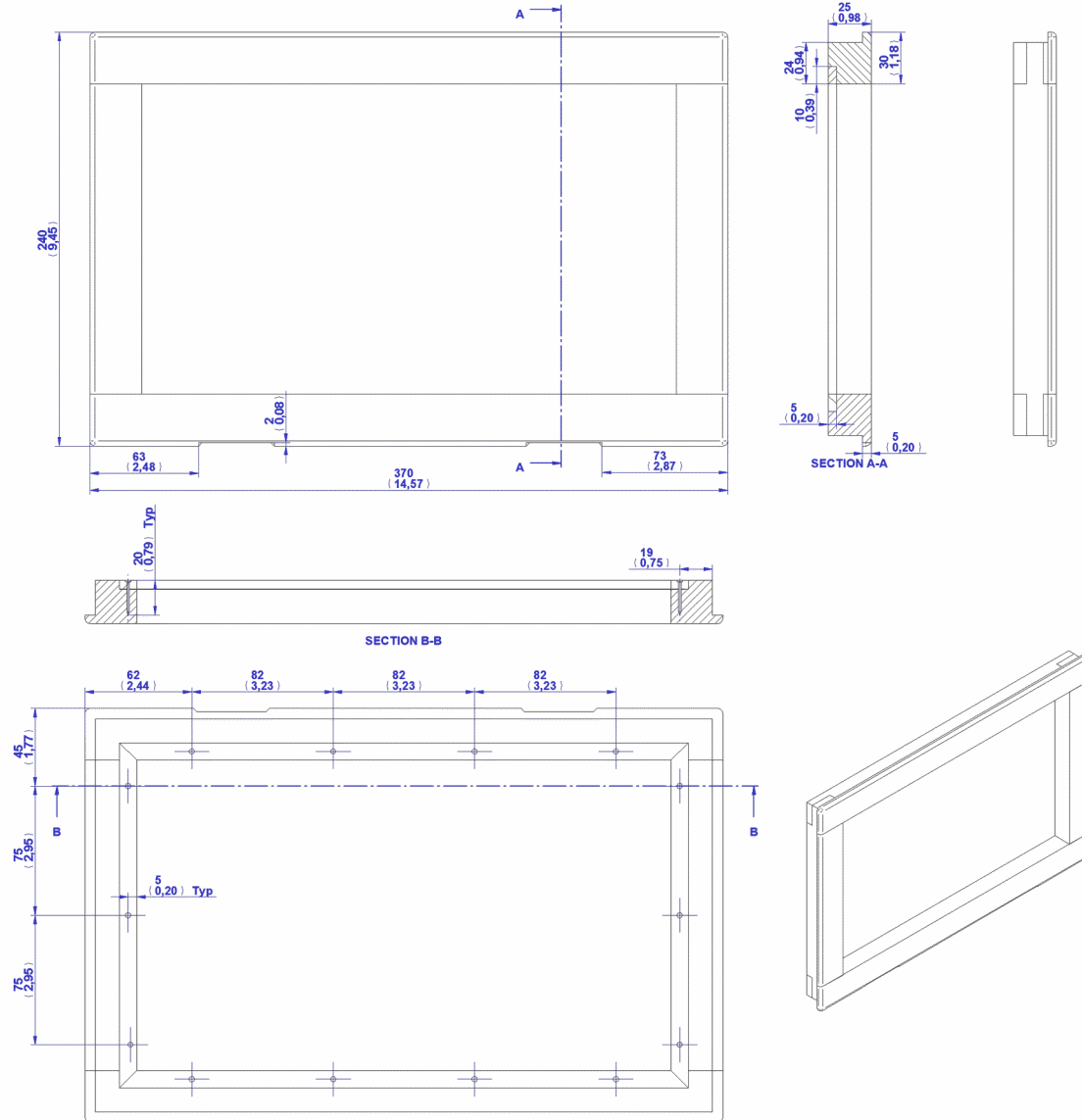


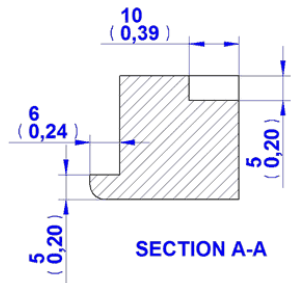
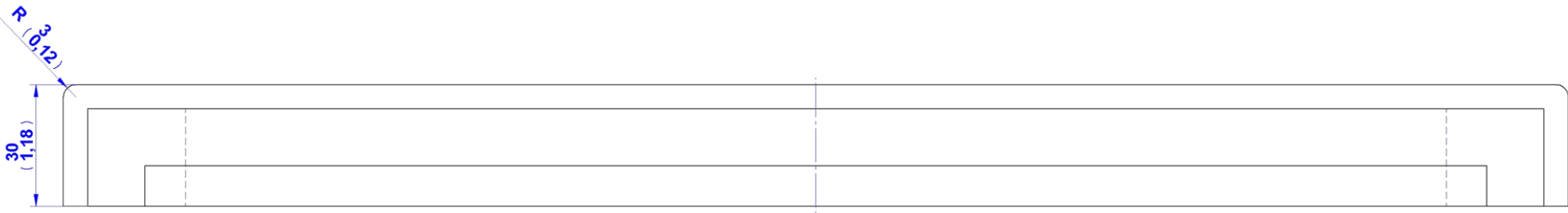
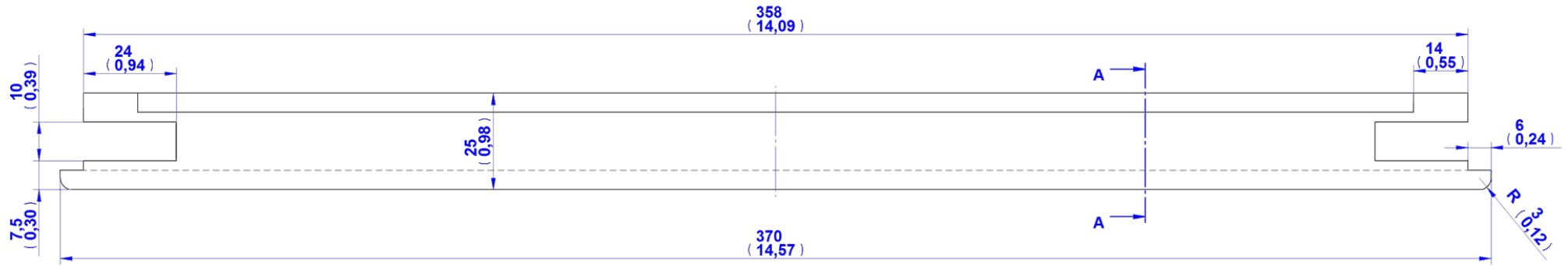
2. Door subassembly parts list



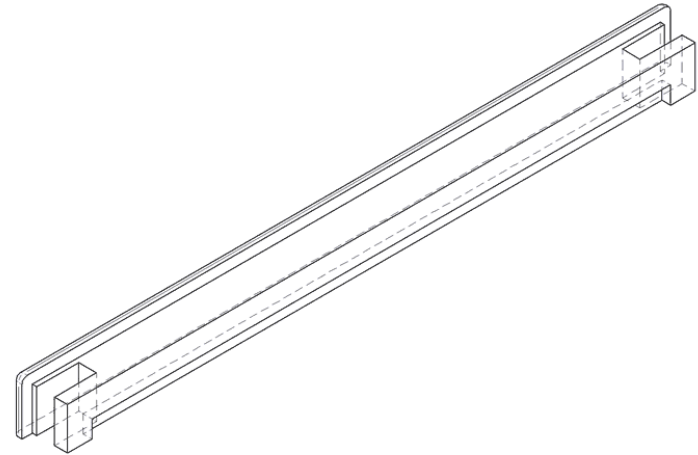
Item Number	Title	Material	Quantity
1	Door stile	Wood	1
2	Door stile (hinge)	Wood	1
3	Door rail	Wood	2
4	Door plank 2	Wood	2
5	Door plank 1	Wood	2
6	Nail	Steel	14
7	Door net	Beekiping net	1

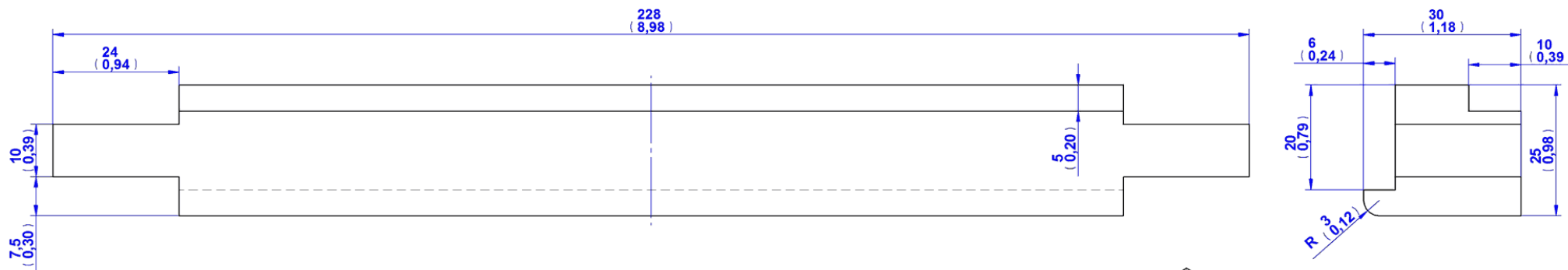
Door subassembly 2D drawing



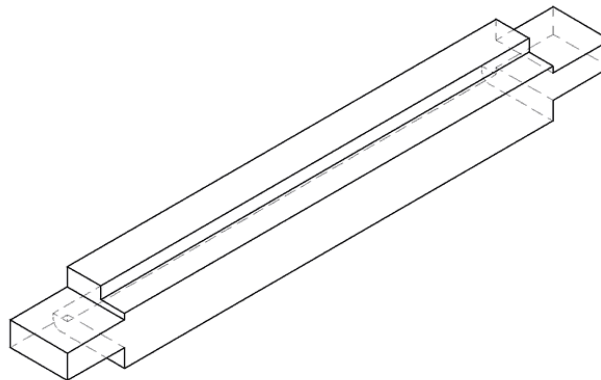


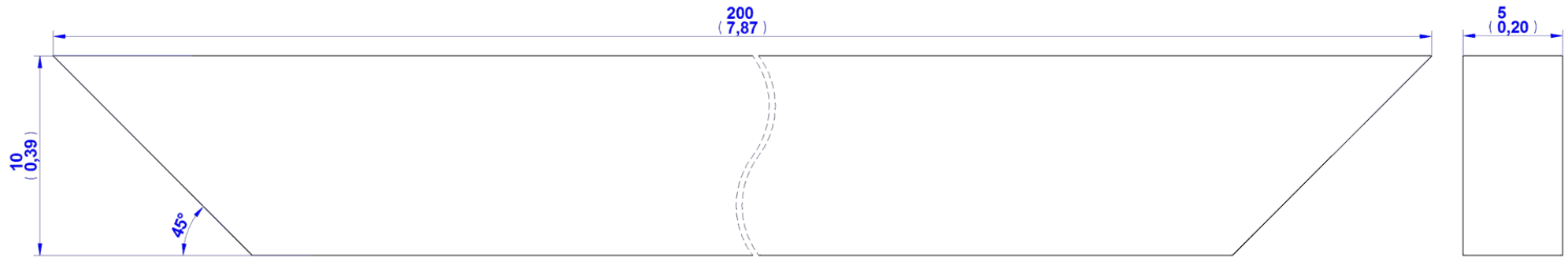
2.01 Door stile



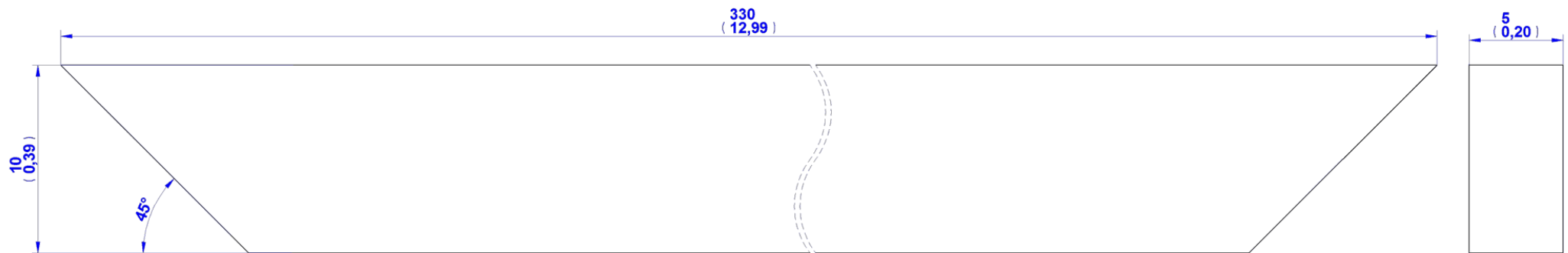


2.03 Door rail





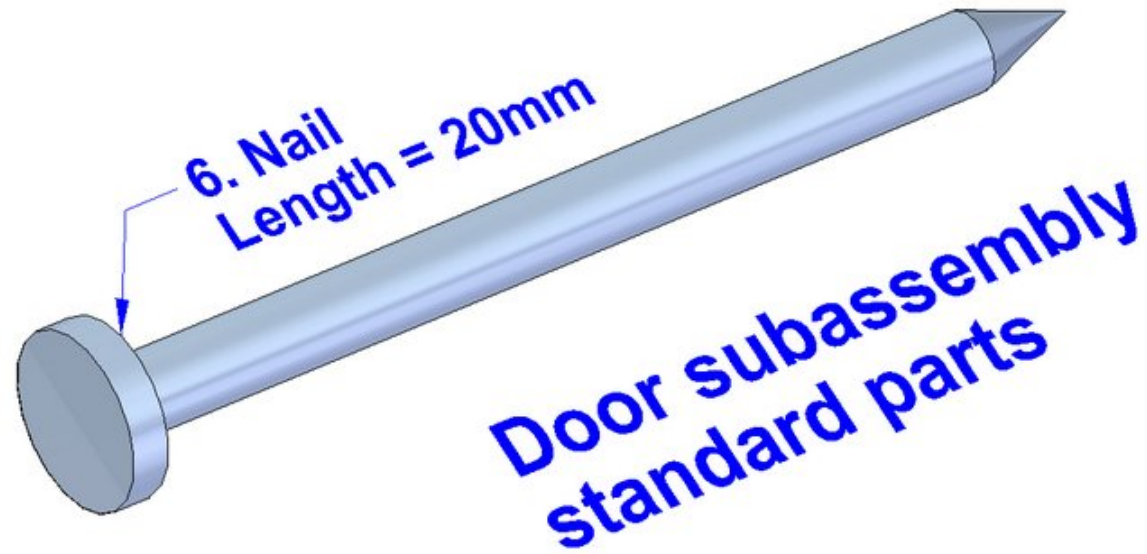
2.04 Door plank 2



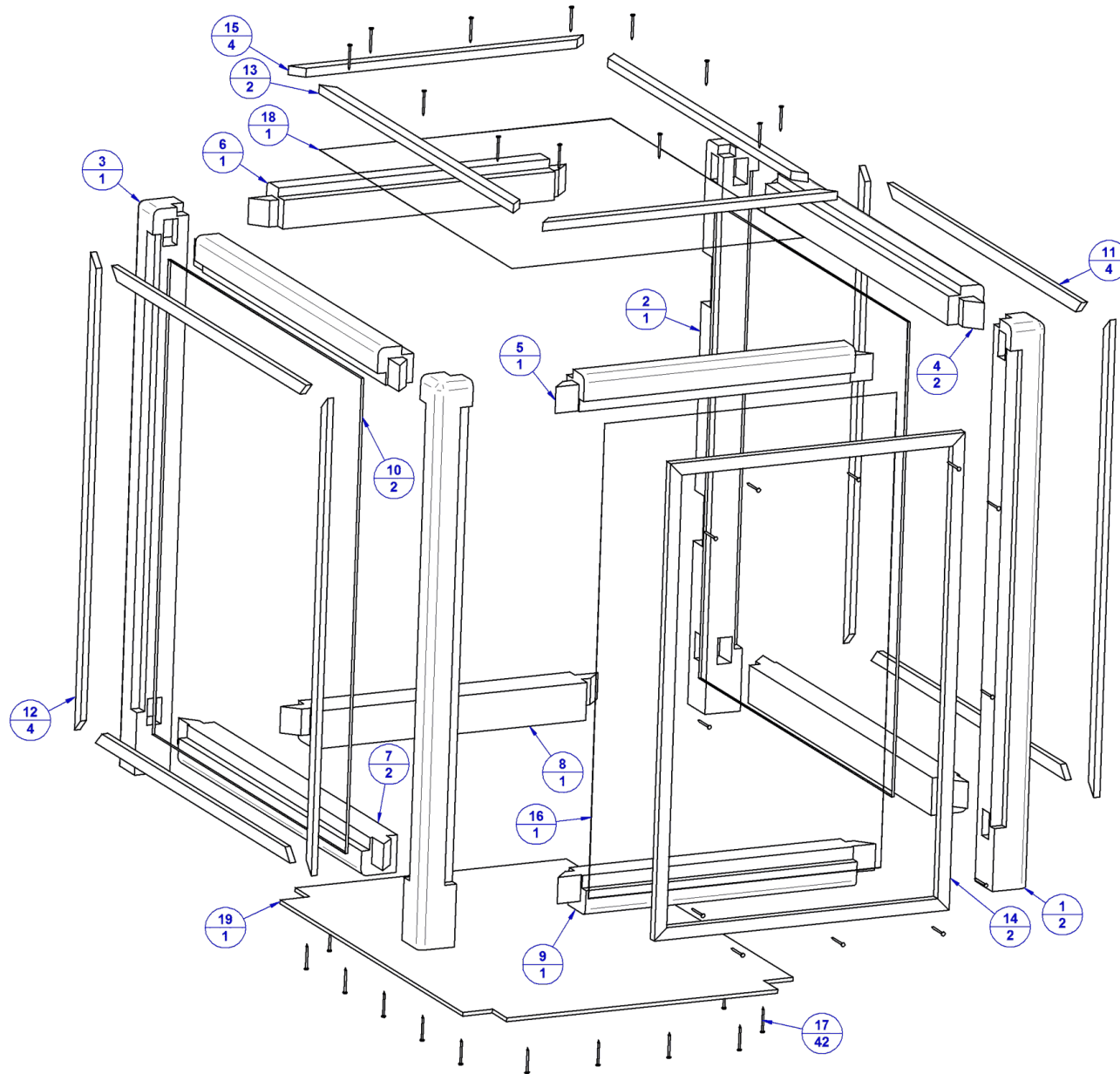
2.05 Door plank 1



Door subassembly standard parts

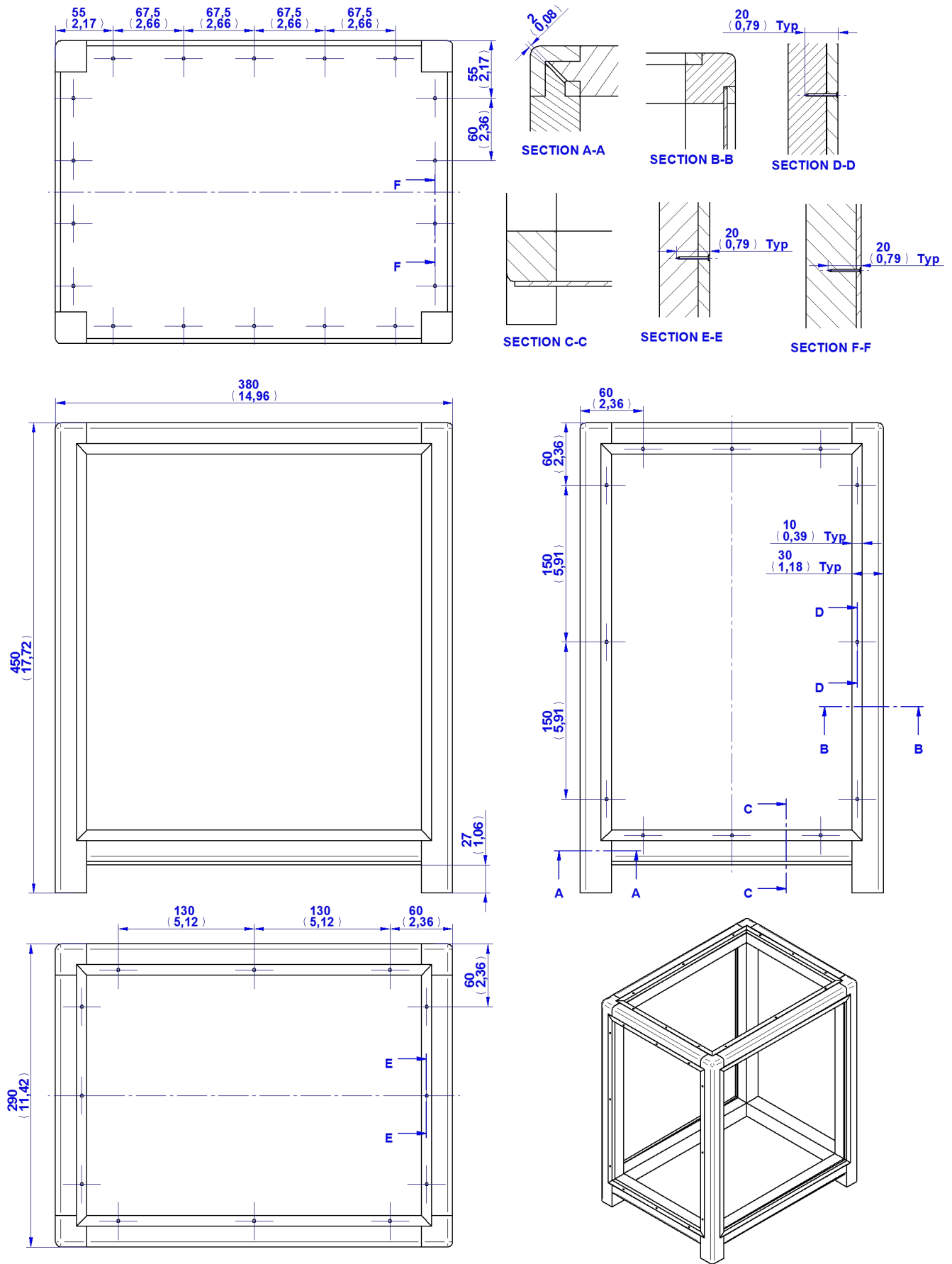


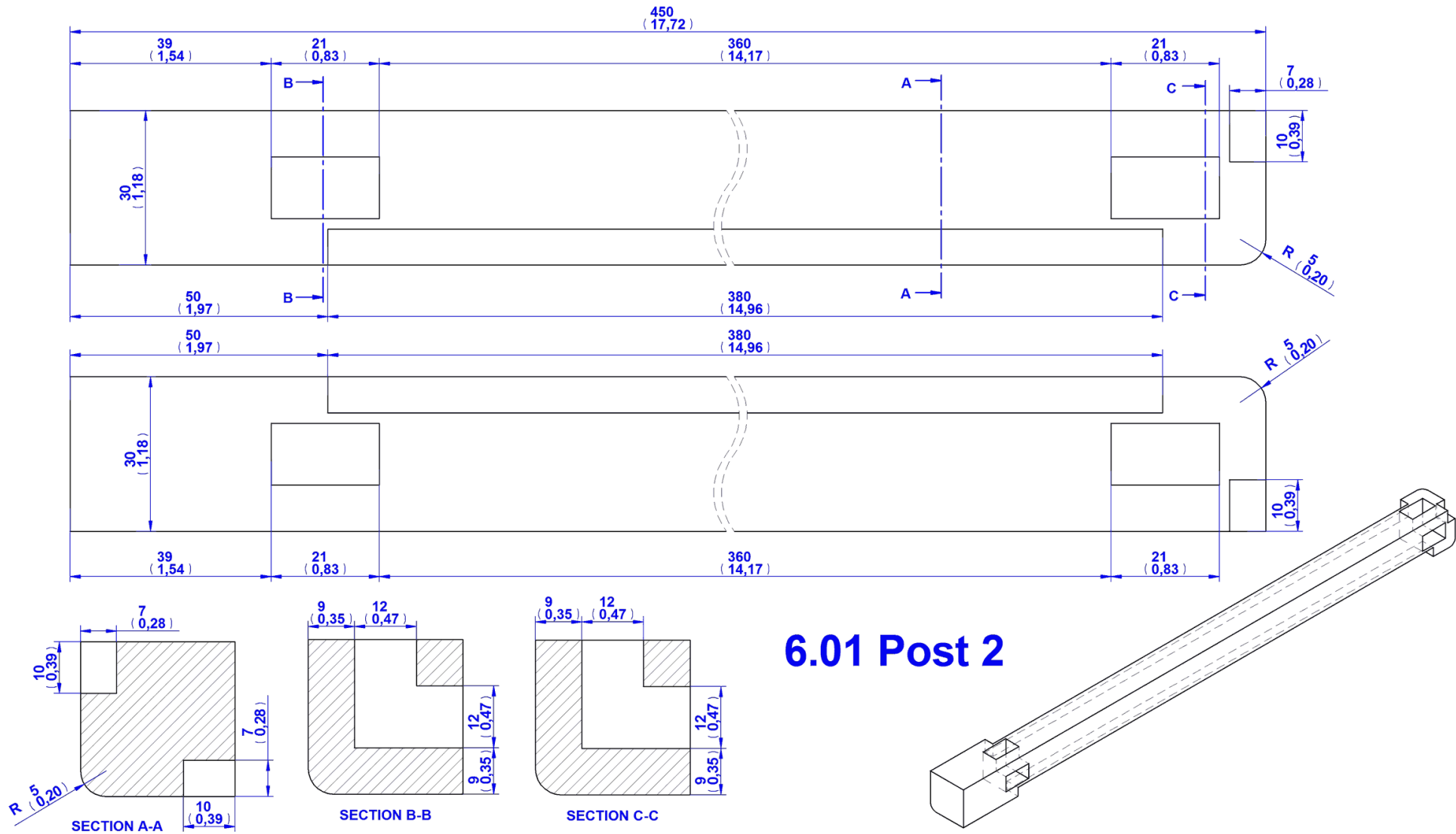
Cage subassembly parts list



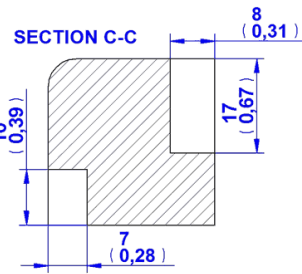
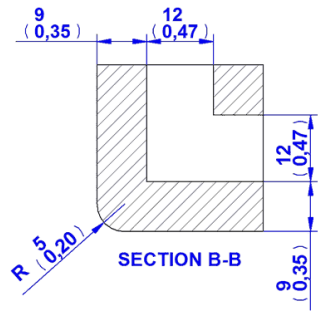
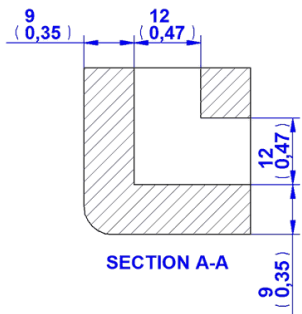
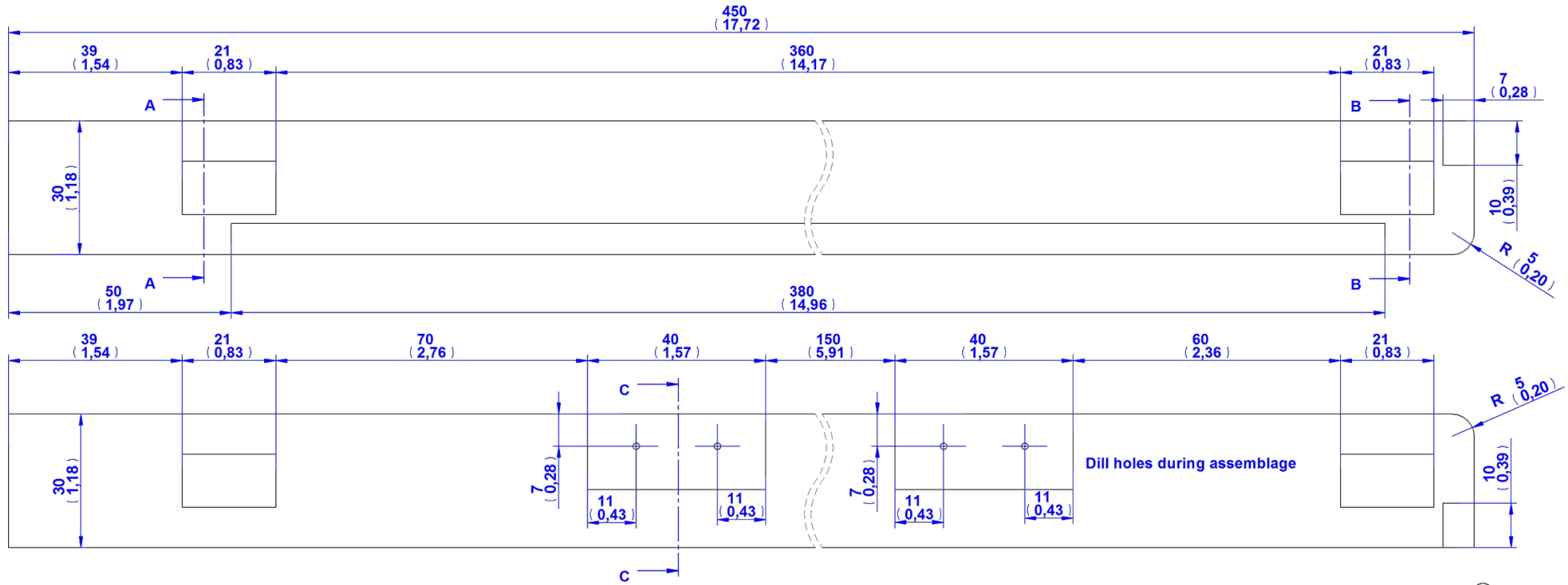
Item Number	Title	Material	Quantity
1	Post 2	Wood	2
2	Door post	Wood	1
3	Post 1	Wood	1
4	Rail 1	Wood	2
5	Rail 3	Wood	1
6	Rail 5	Wood	1
7	Rail 2	Wood	2
8	Rail 6	Wood	1
9	Rail 4	Wood	1
10	Cage glass	Glass	2
11	Plank 1	Wood	4
12	Plank 2	Wood	4
13	Plank 4	Wood	2
14	Plank 5	Wood	2
15	Plank 3	Wood	4
16	Cage net 2	Beekiping net	1
17	Nail	Steel	42
18	Cage net 1	Beekiping net	1
19	Bottom	Wood	1

Cage subassembly 2D drawing

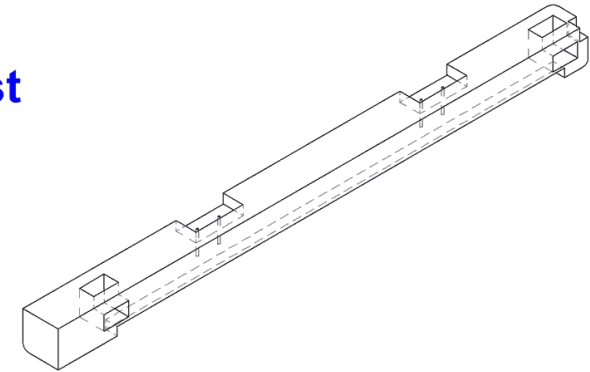


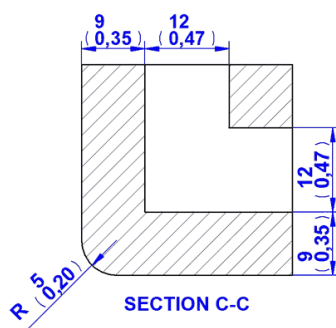
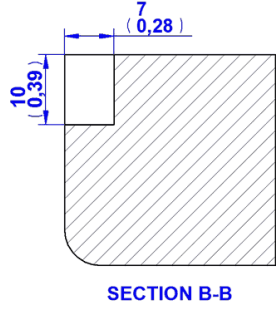
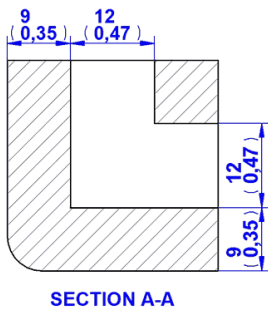
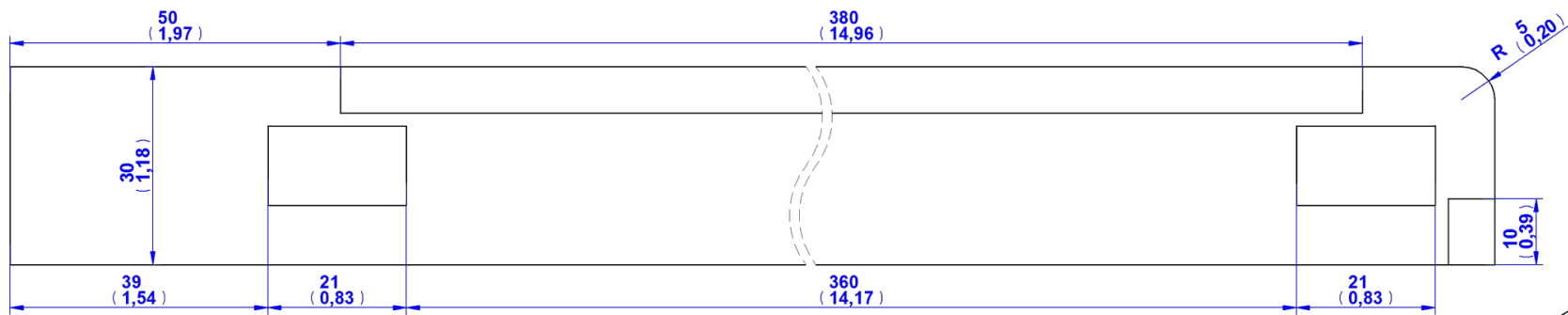
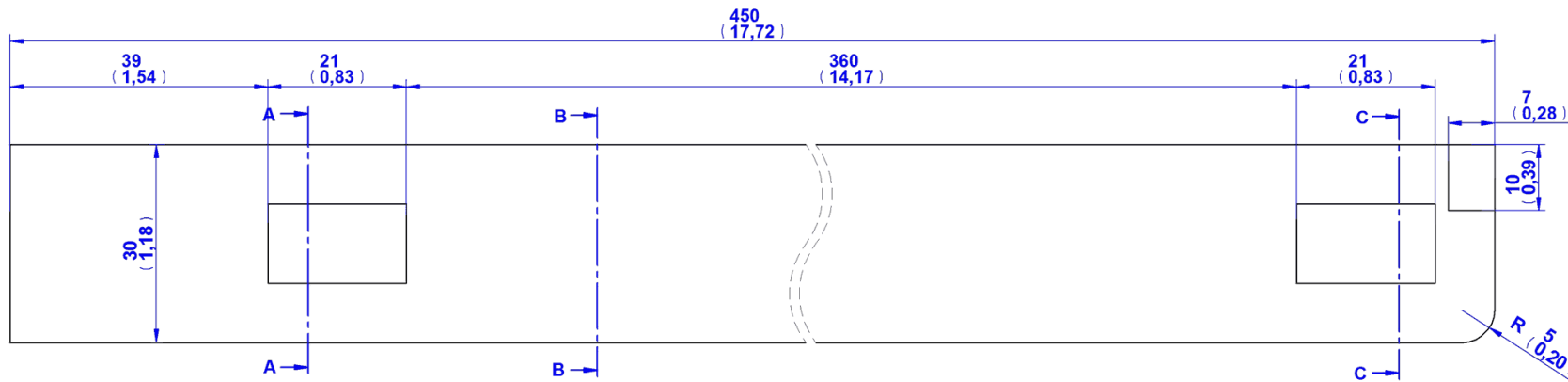


6.01 Post 2

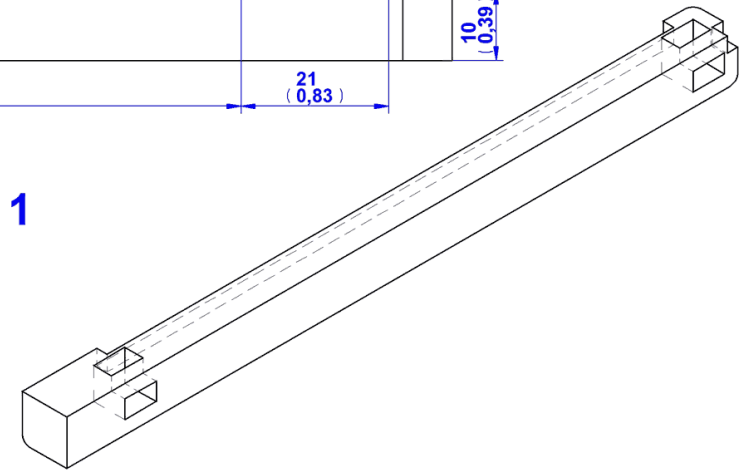


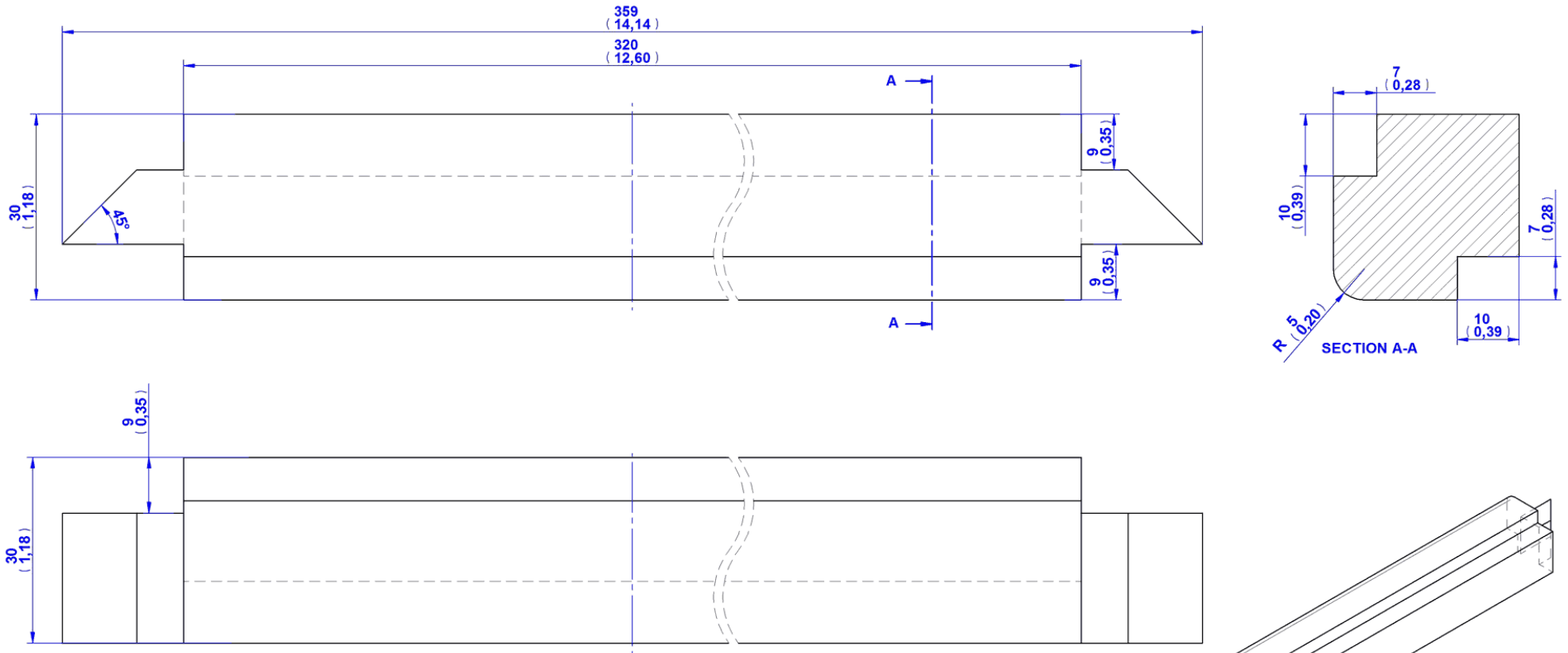
6.02 Door post



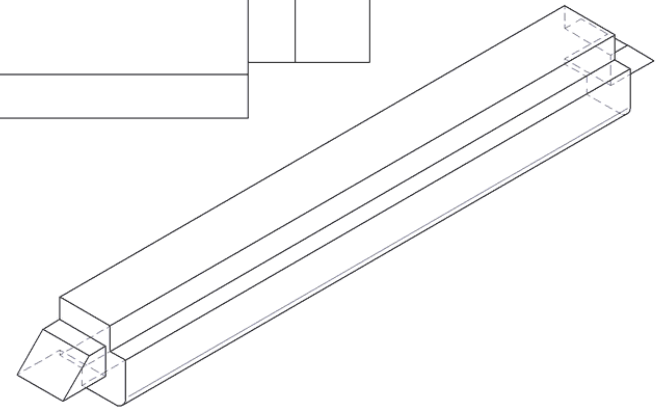
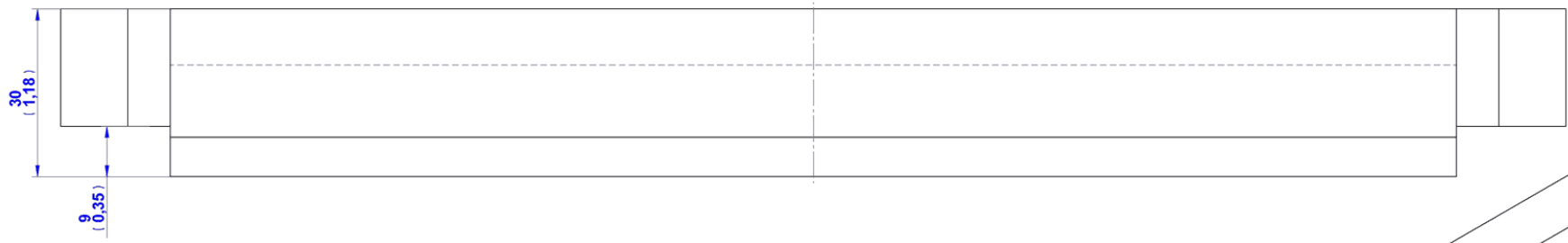
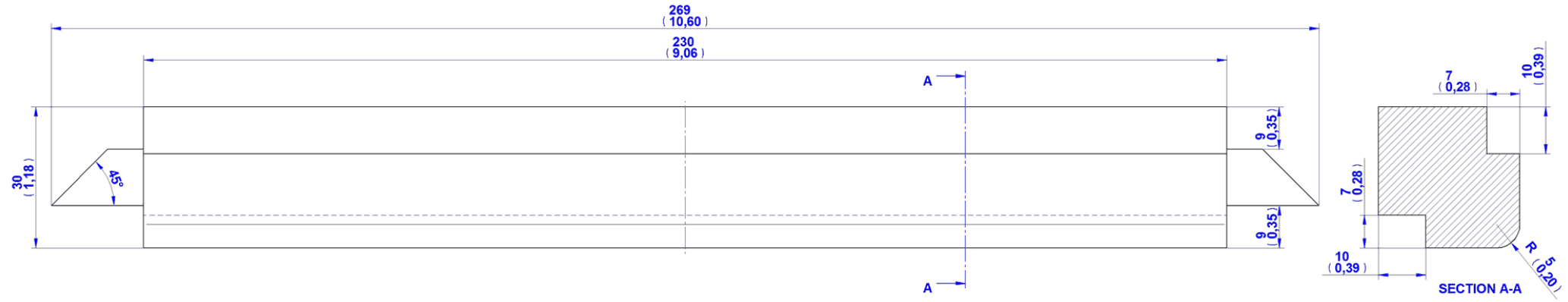


6.03 Post 1

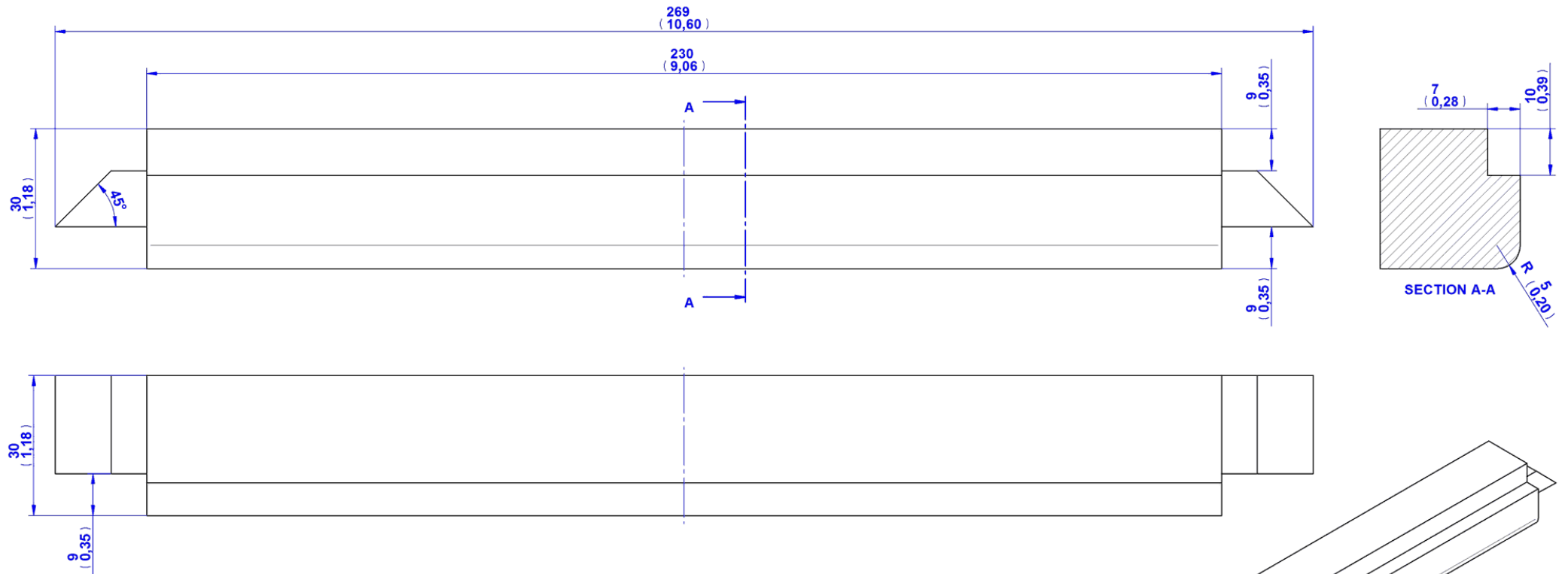




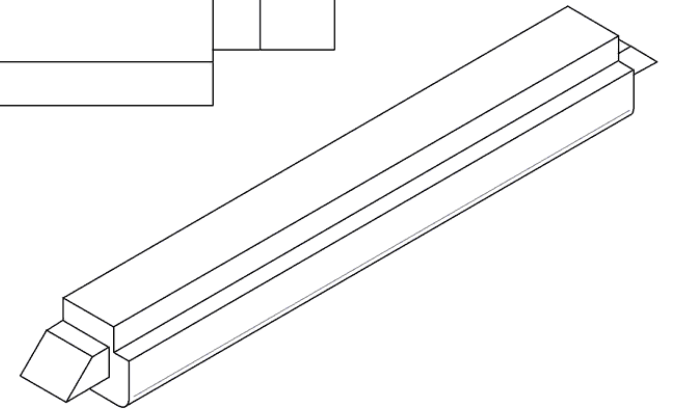
6.04 Rail 1

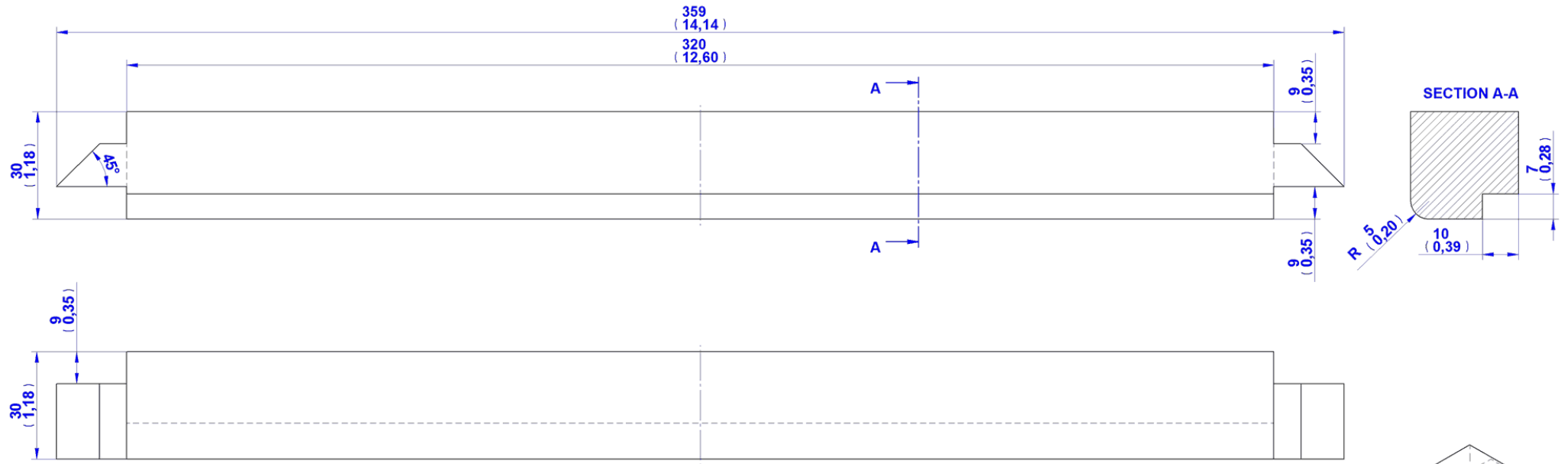


6.05 Rail 3

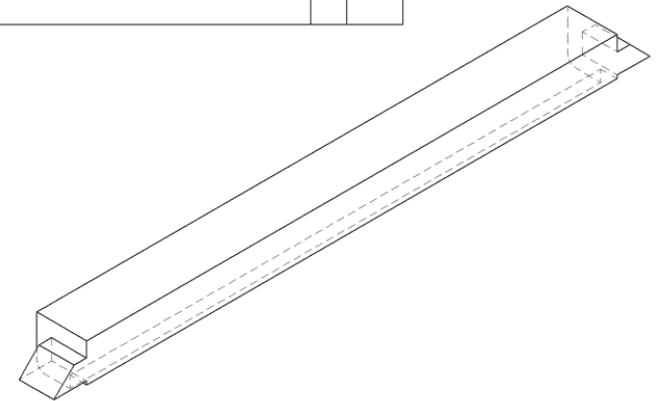


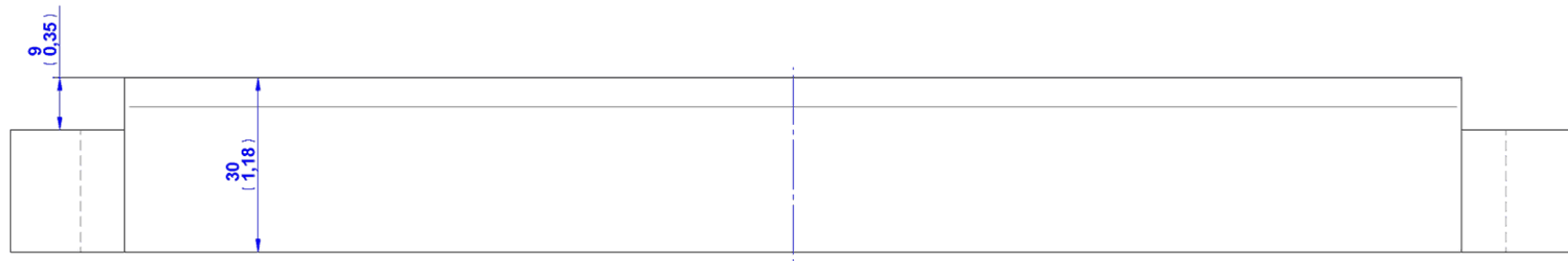
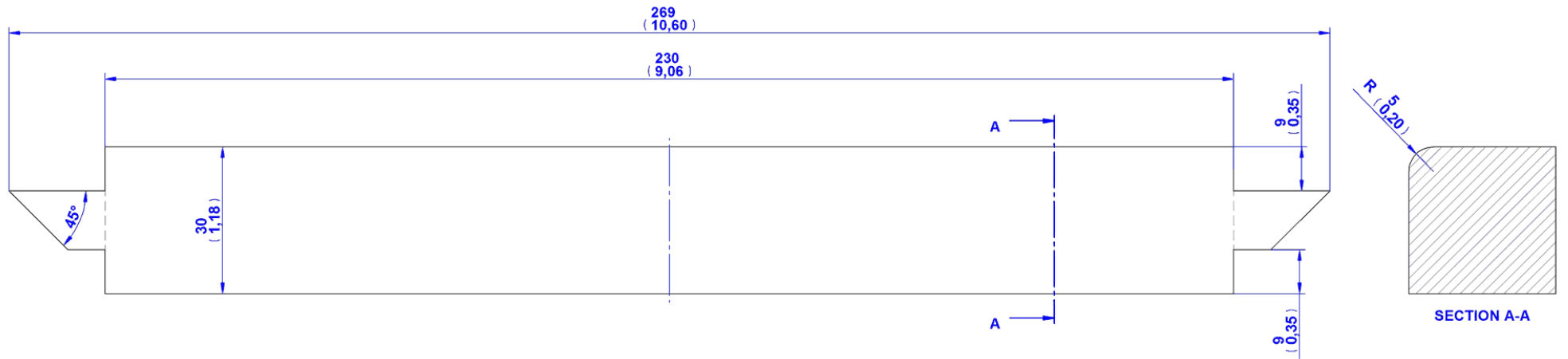
6.06 Rail 5



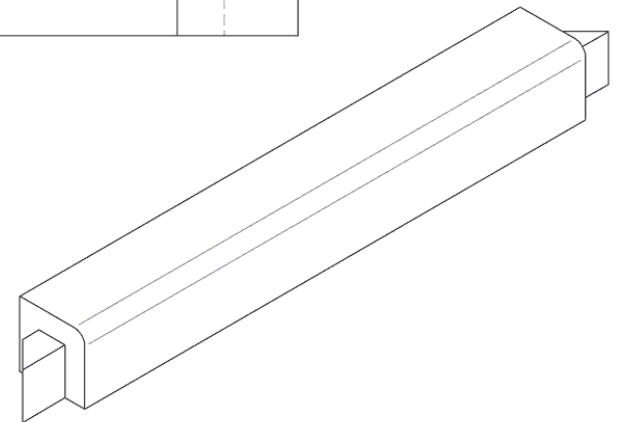


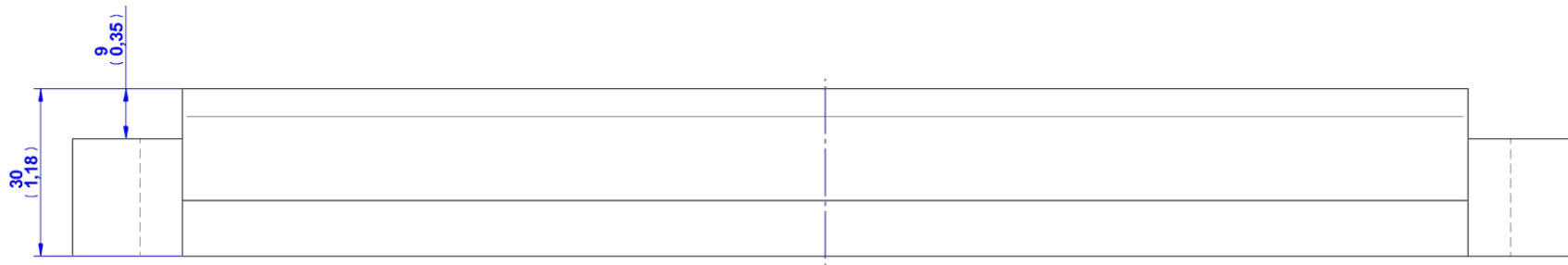
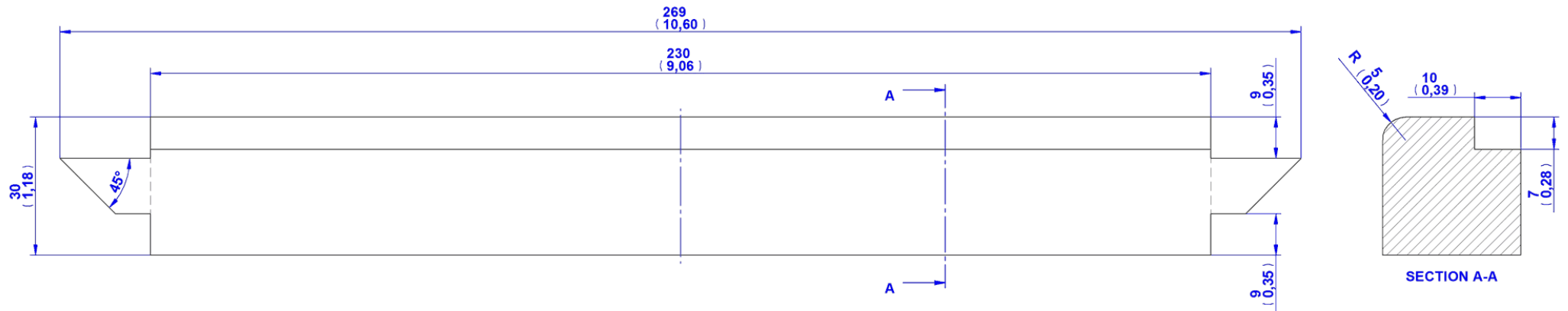
6.07 Rail 2



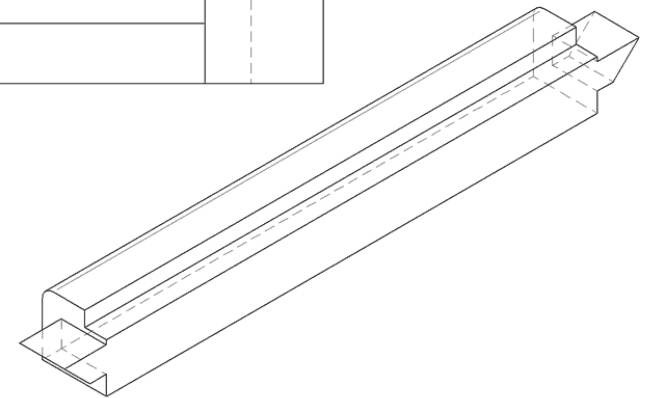


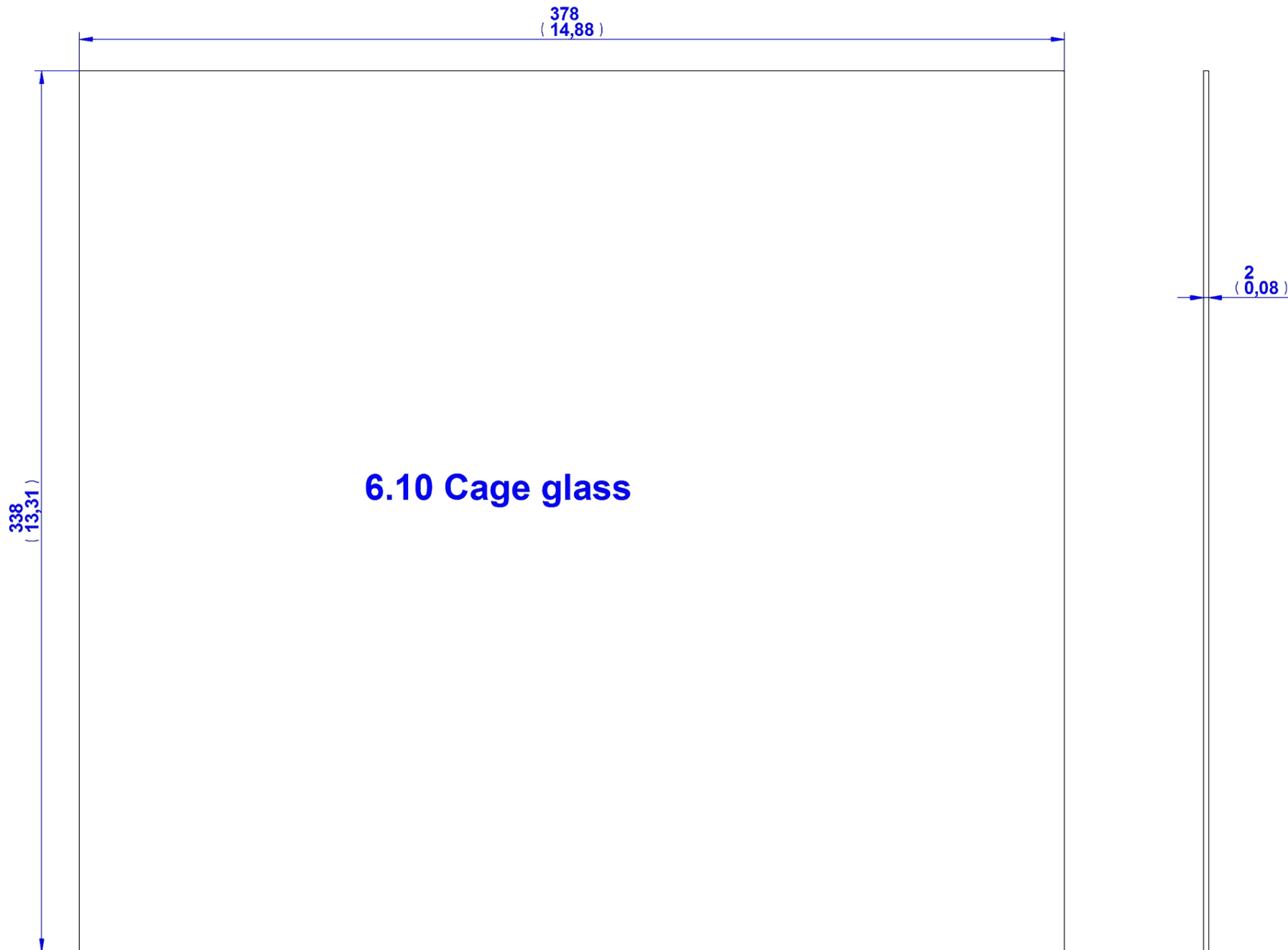
6.08 Rail 6



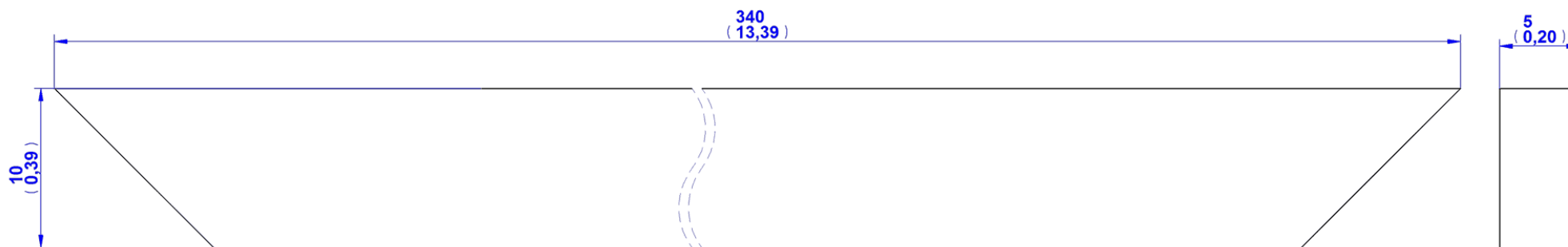


6.09 Rail 4

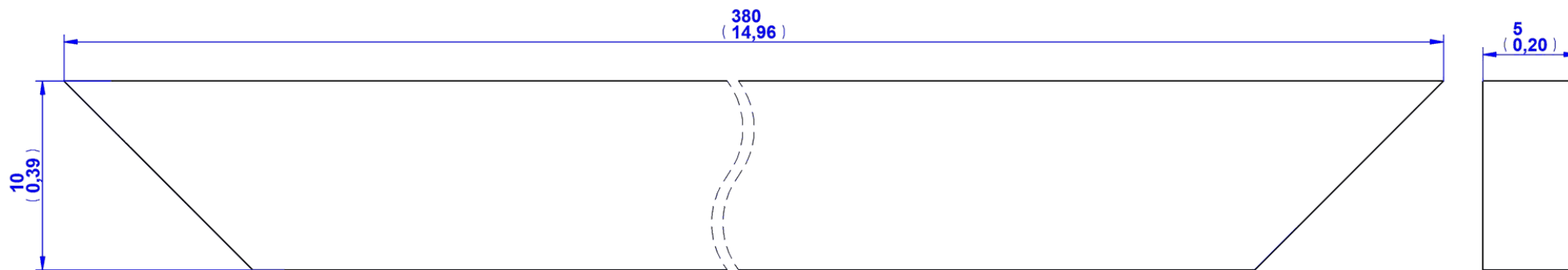




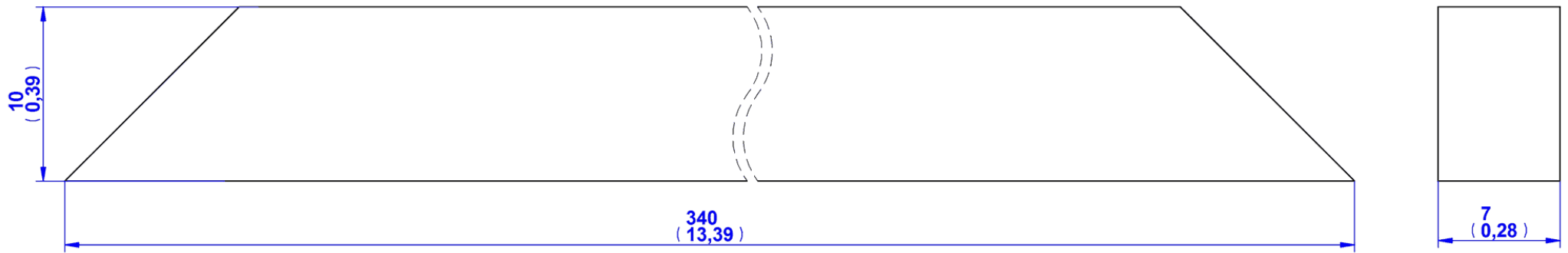
6.10 Cage glass



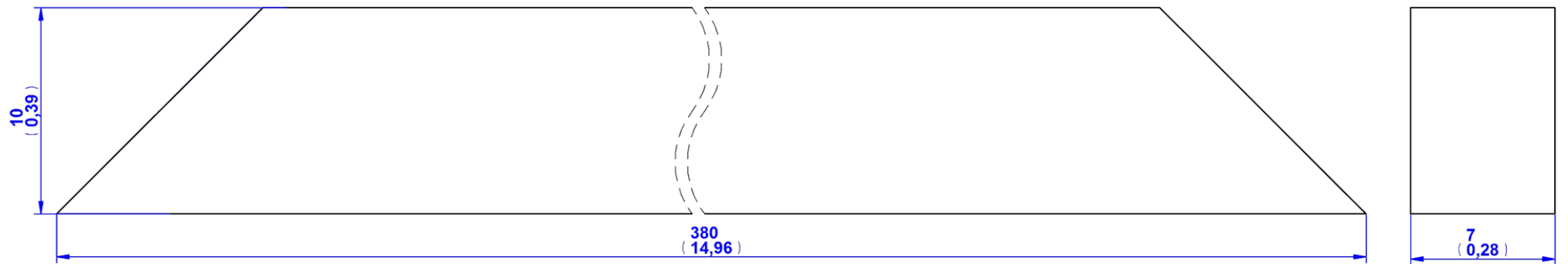
6.11 Plank 1



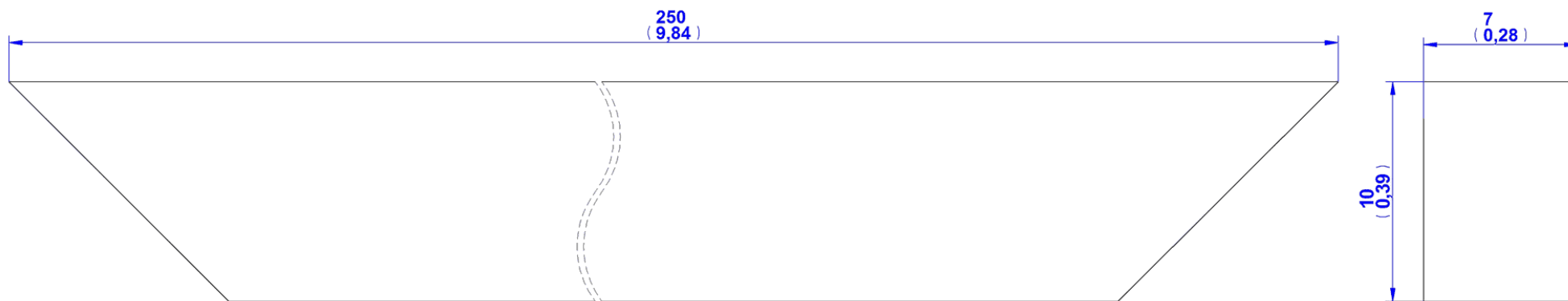
6.12 Plank 2



6.13 Plank 4



6.14 Plank 5

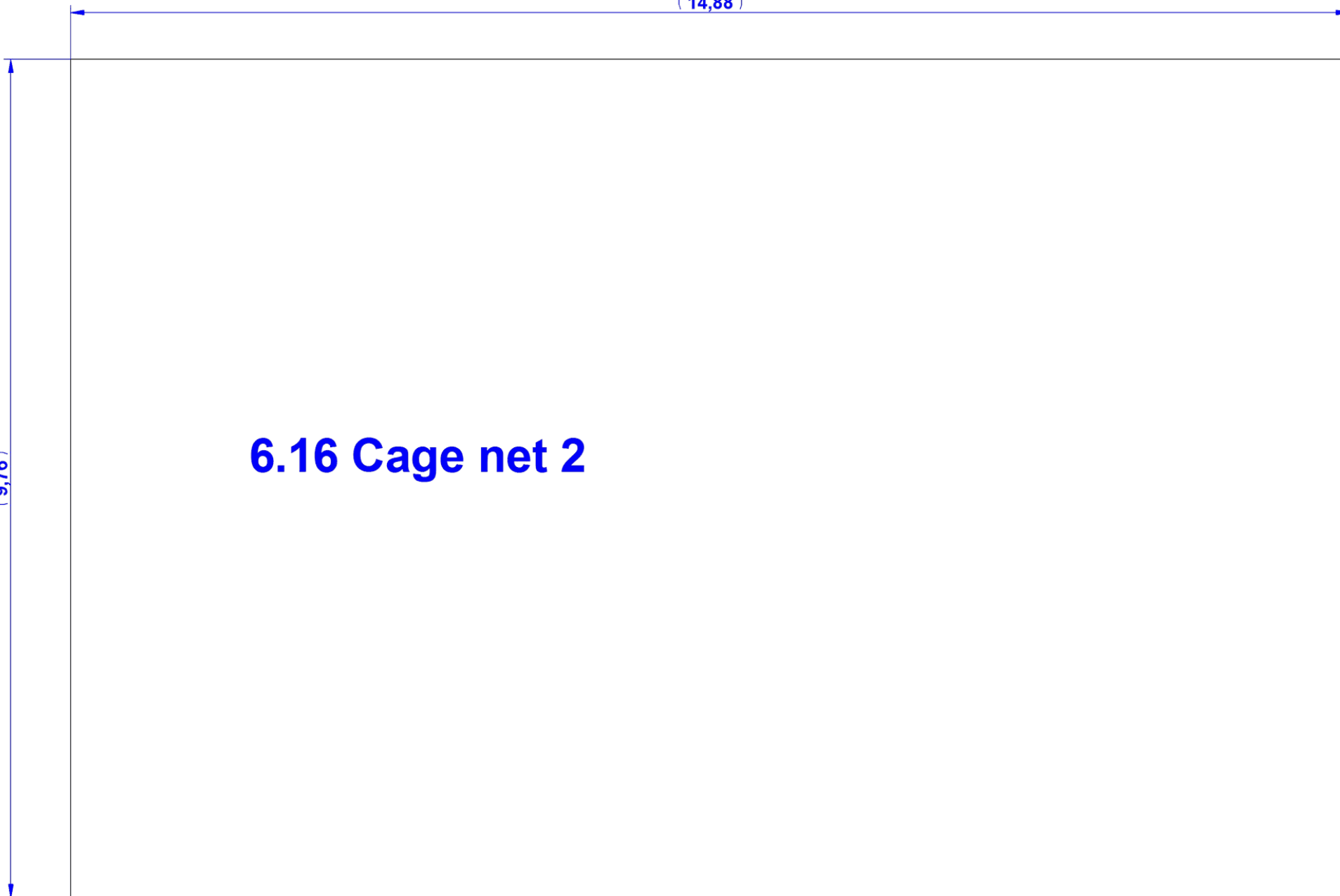


6.15 Plank 3

378
(14,88)

248
(9,76)

6.16 Cage net 2

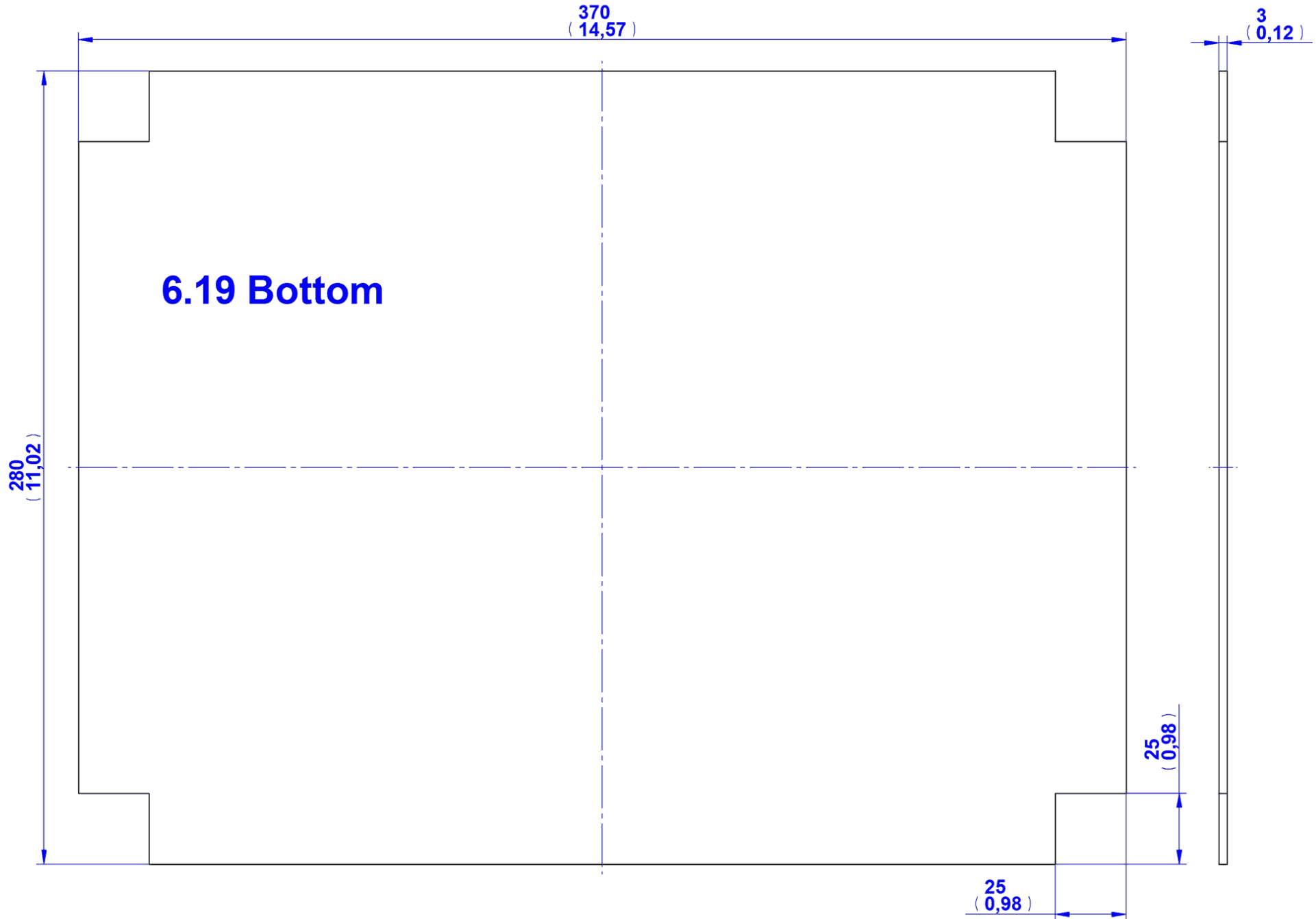


338
(13,31)

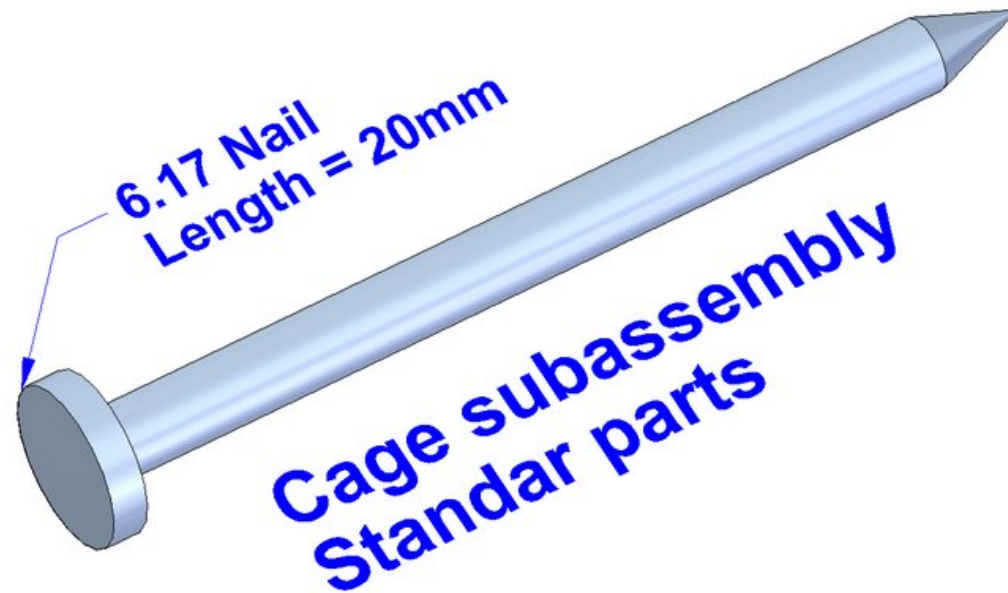
248
(9,76)

6.18 Cage net 1





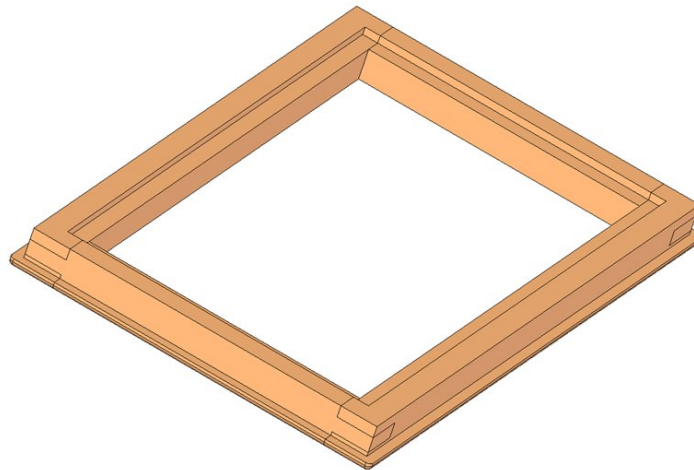
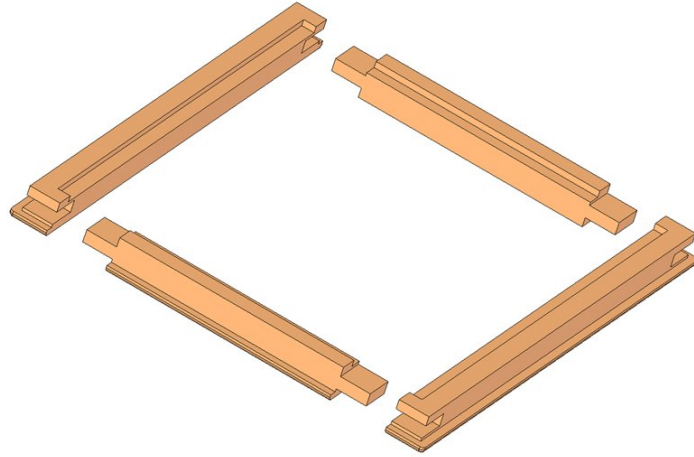
Cage subassembly standard parts



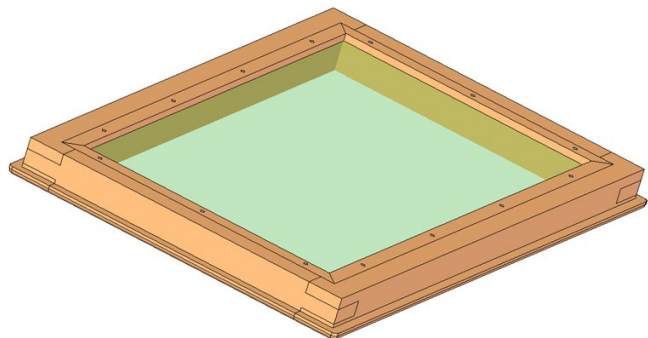
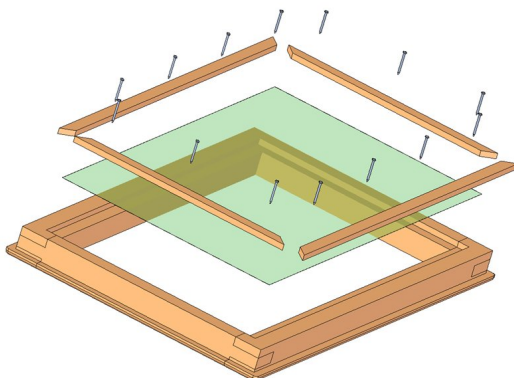
Assemblage images

Door subassembly assemblage images

1.

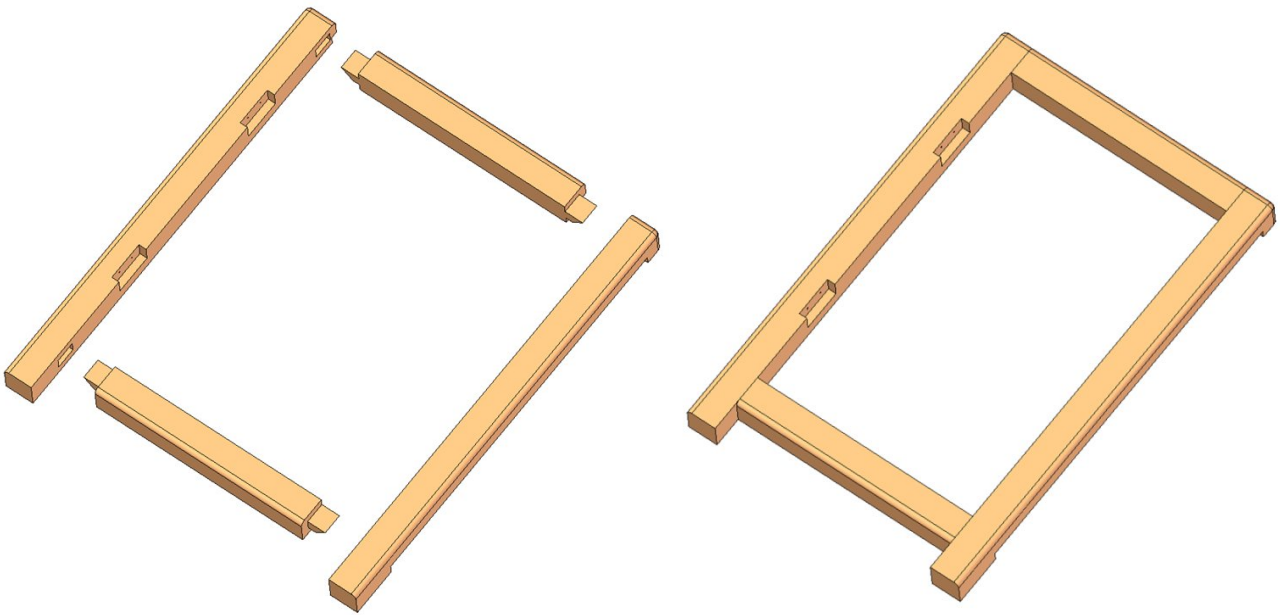


2.

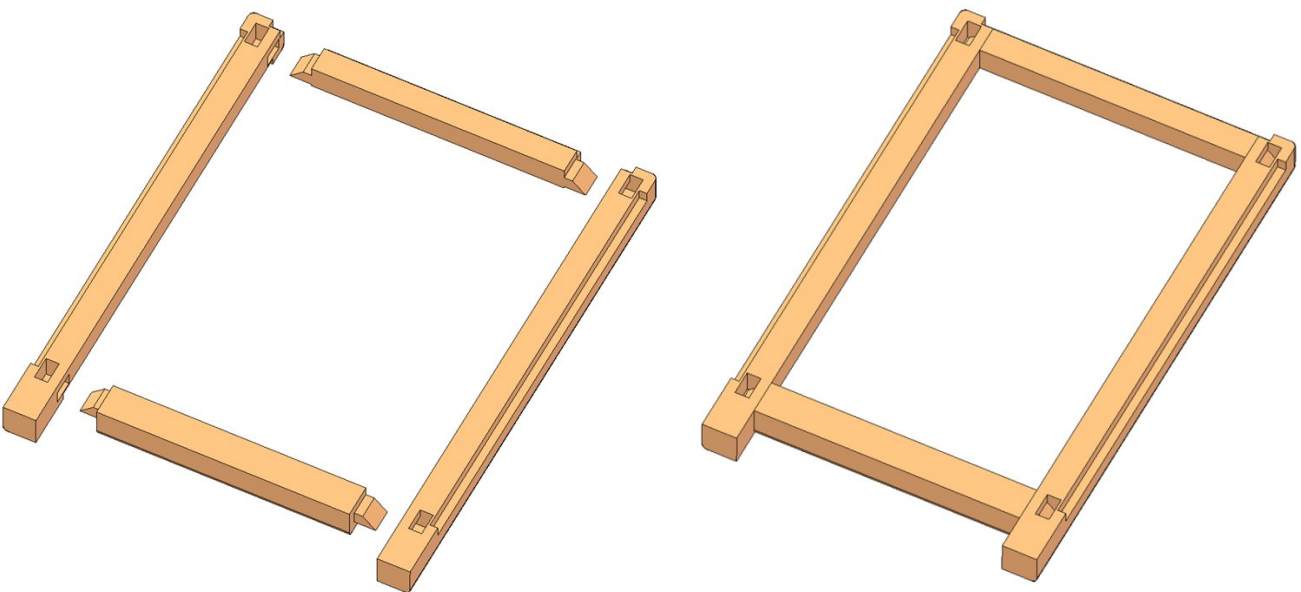


Cage subassembly assemblage images

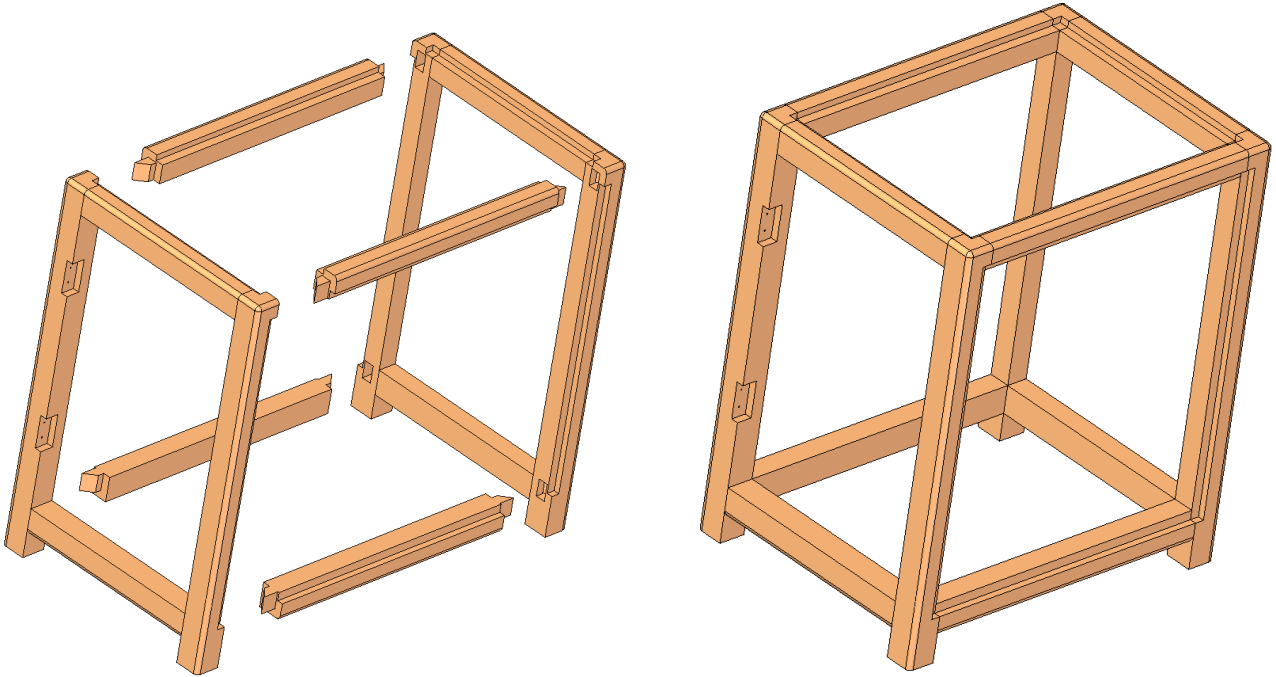
1.



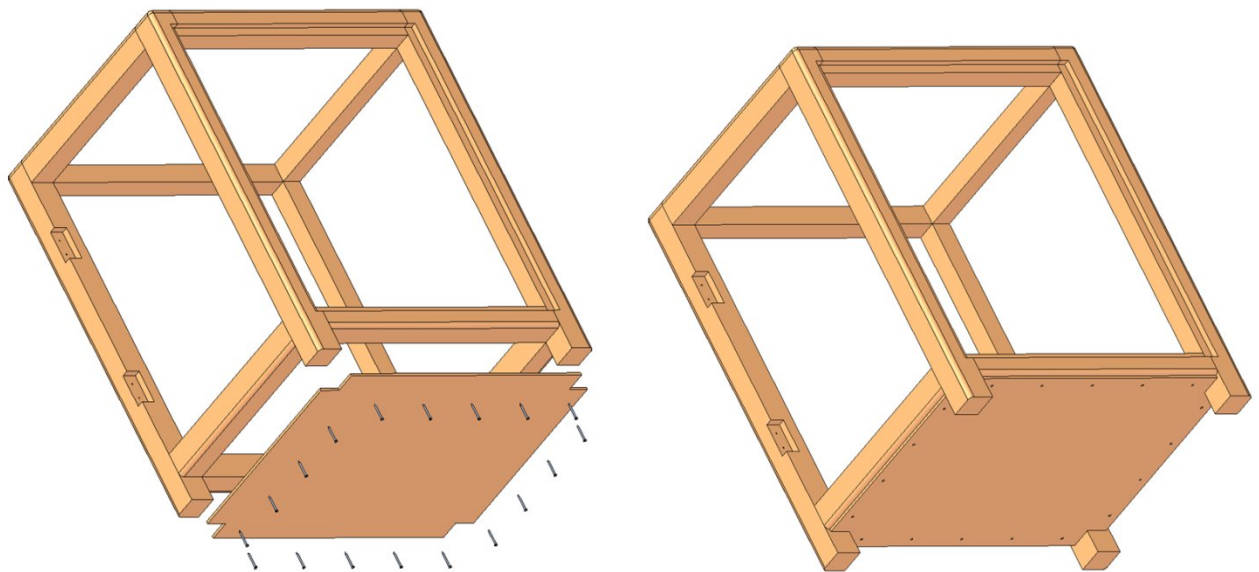
2.



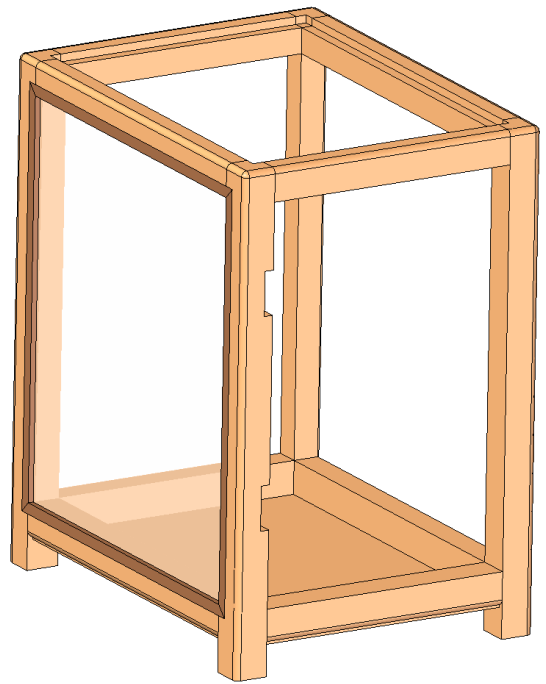
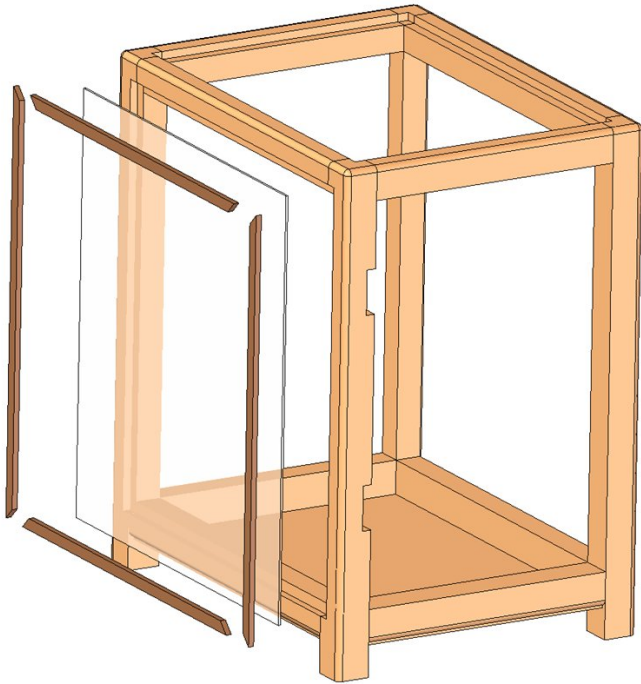
3.



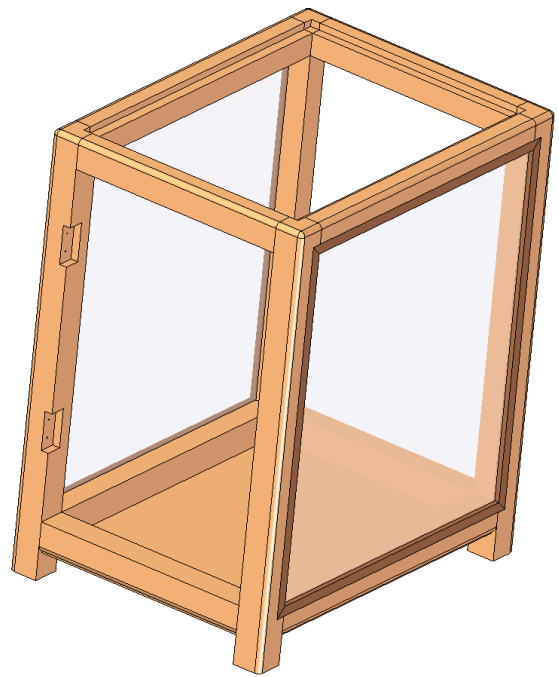
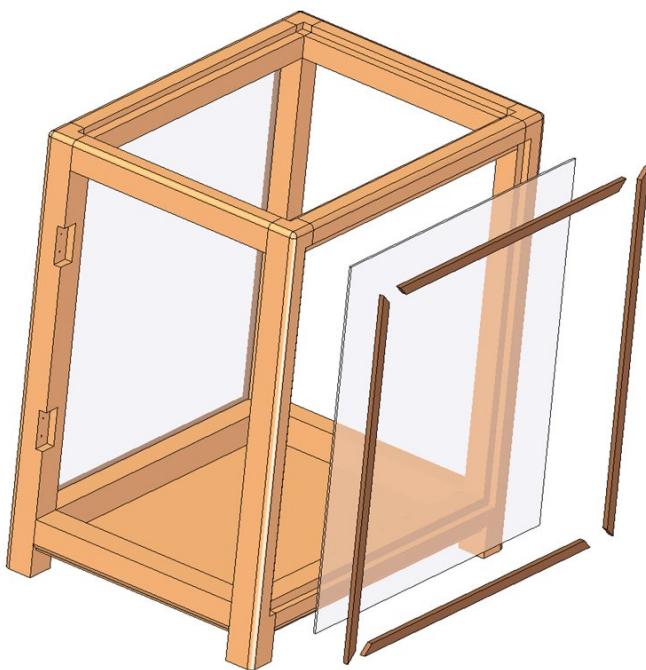
4.



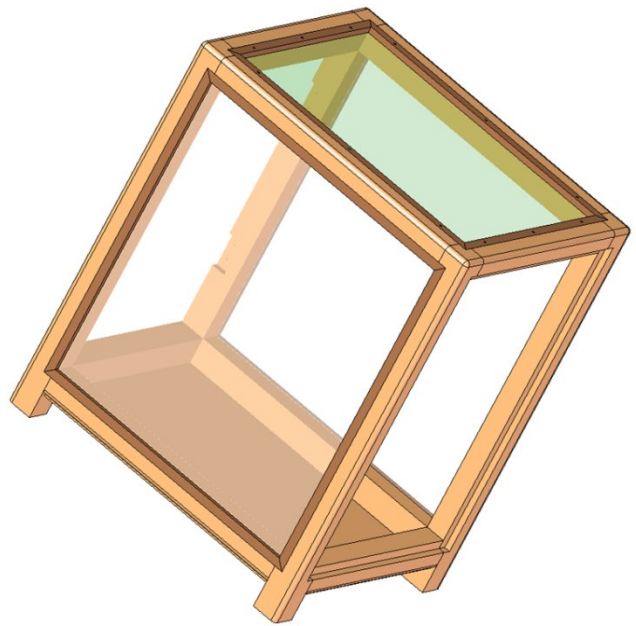
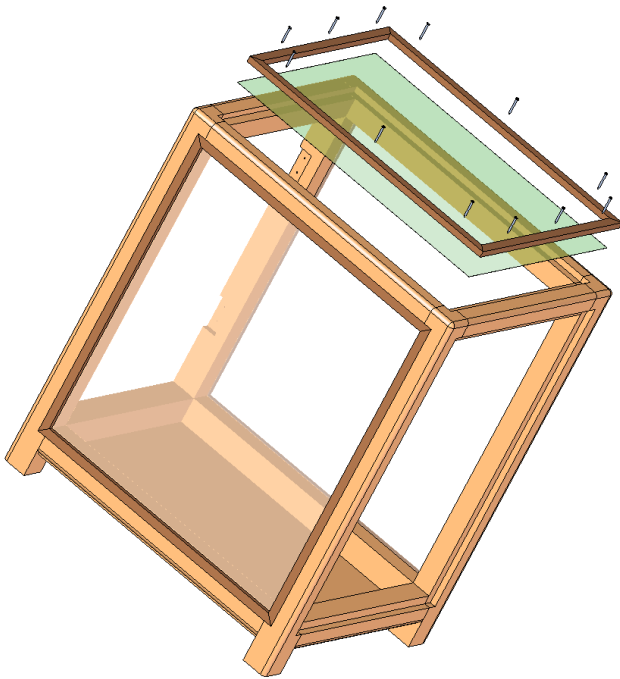
5.



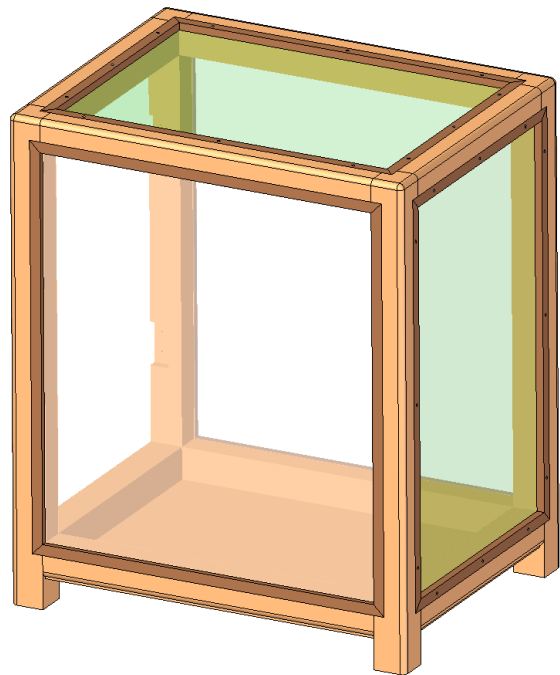
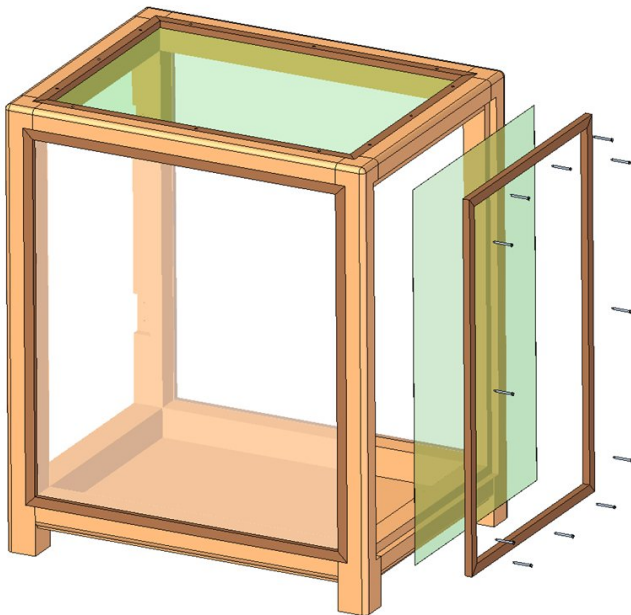
6.



7.

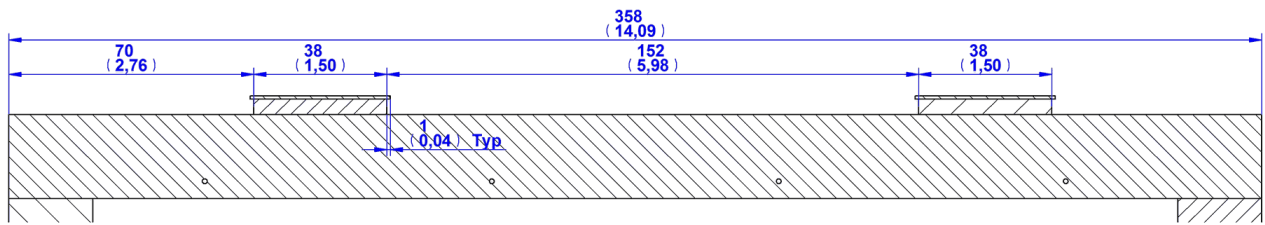
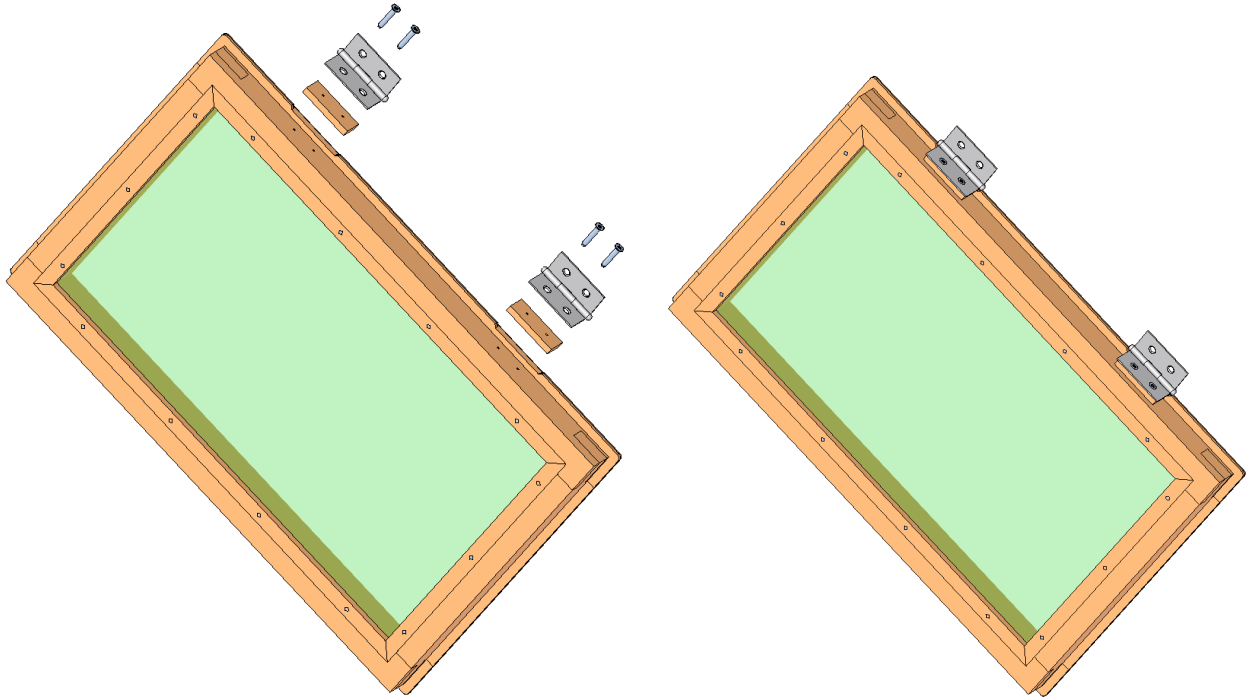


8.

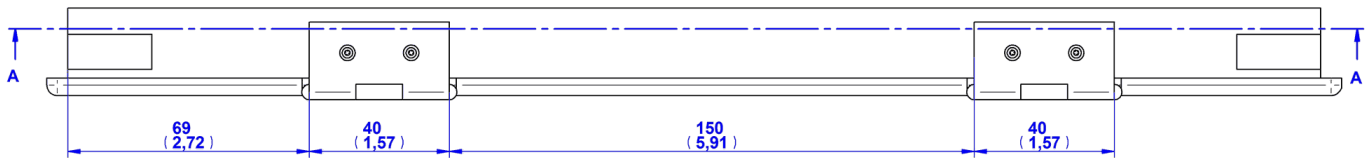


Final assemblage

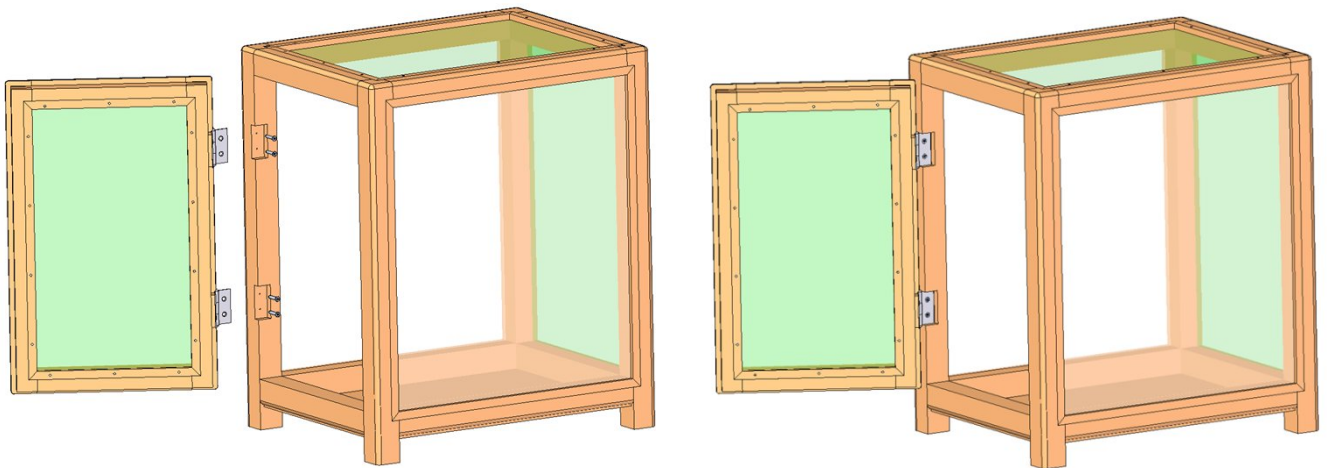
1.



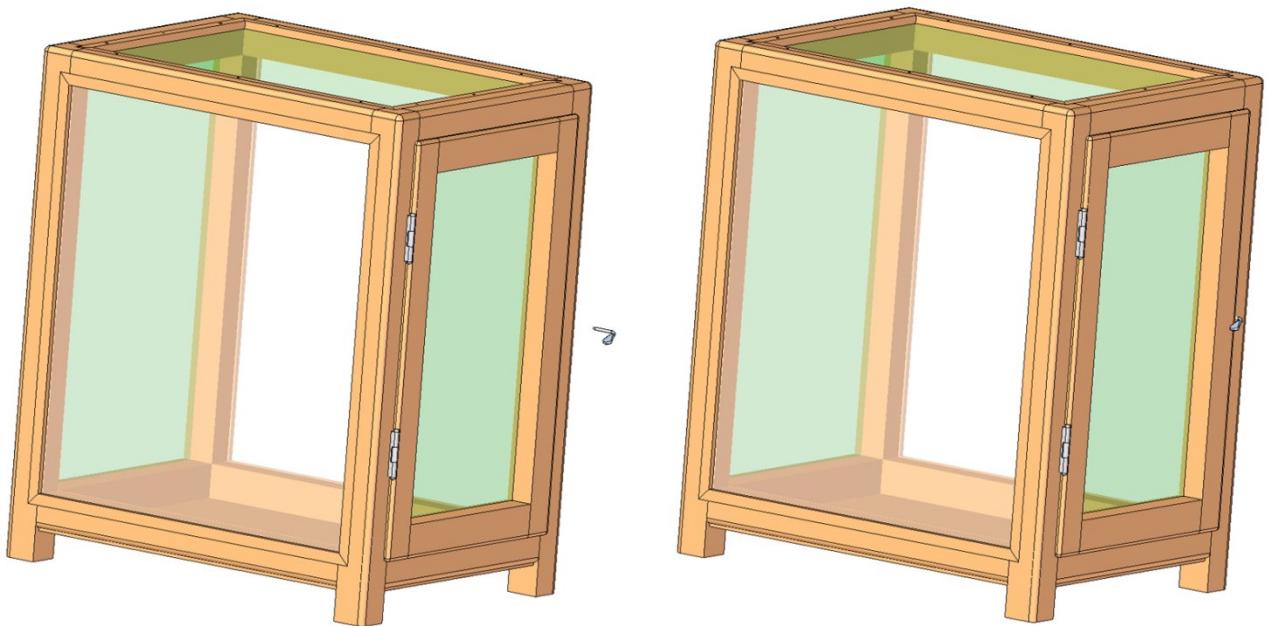
SECTION A-A



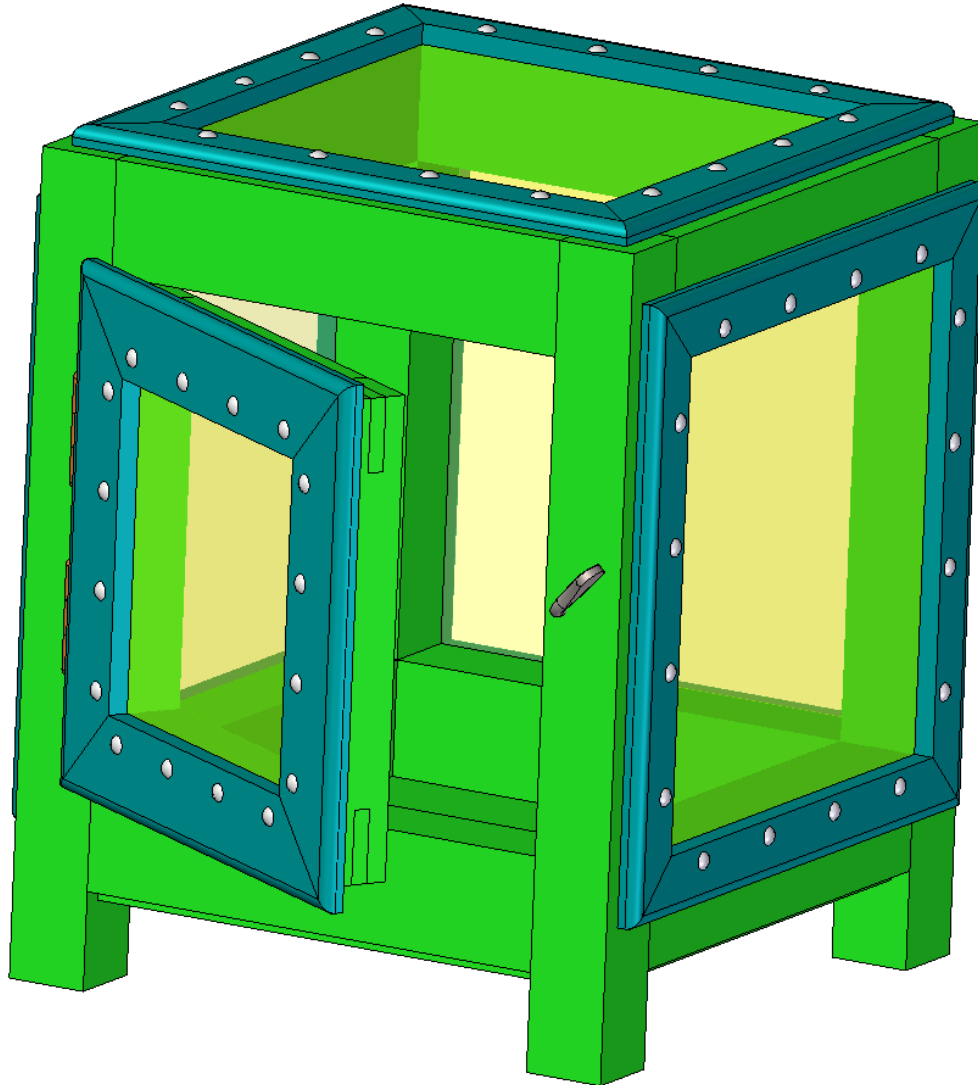
2.



3.

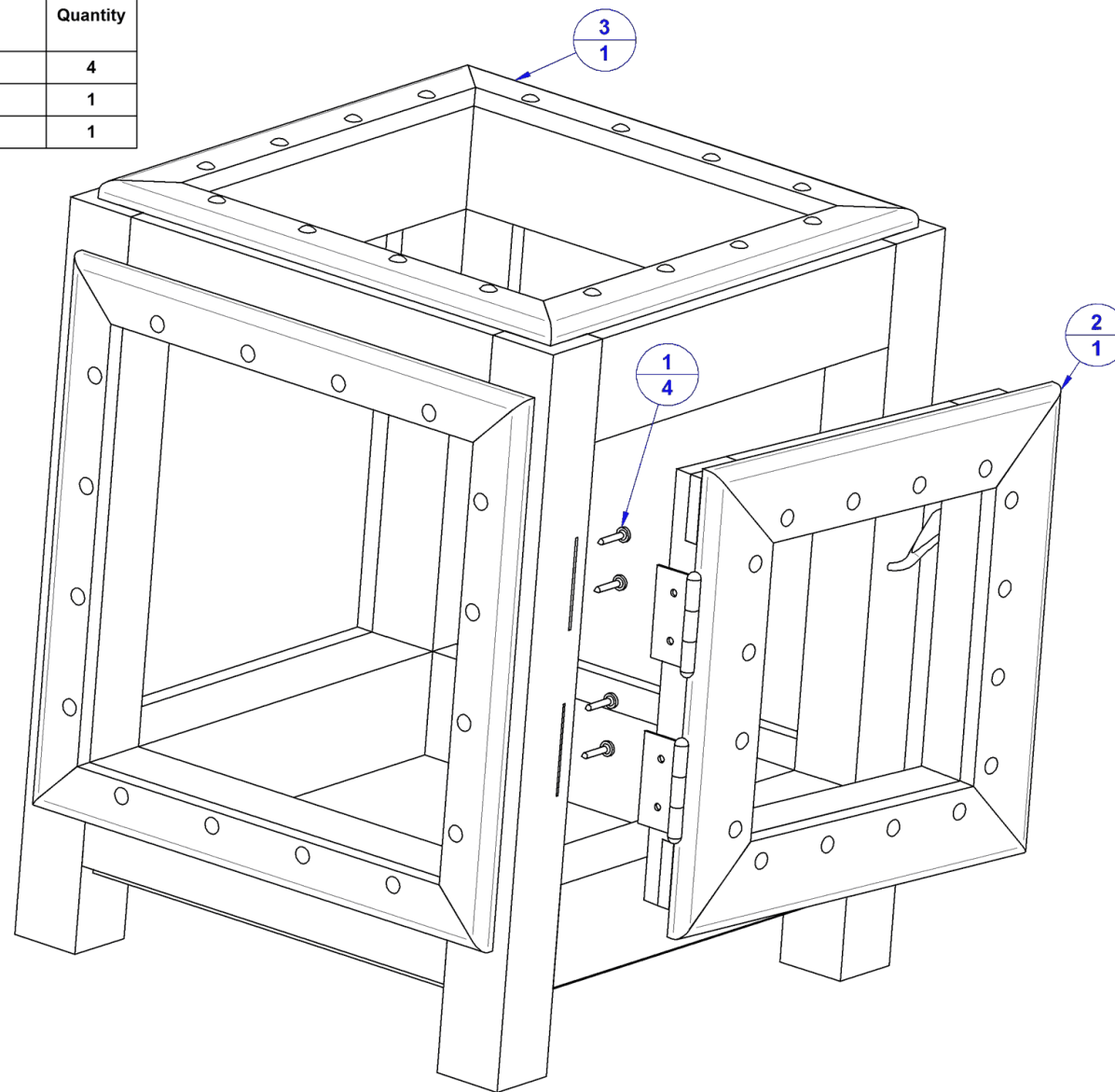


Small insect cage

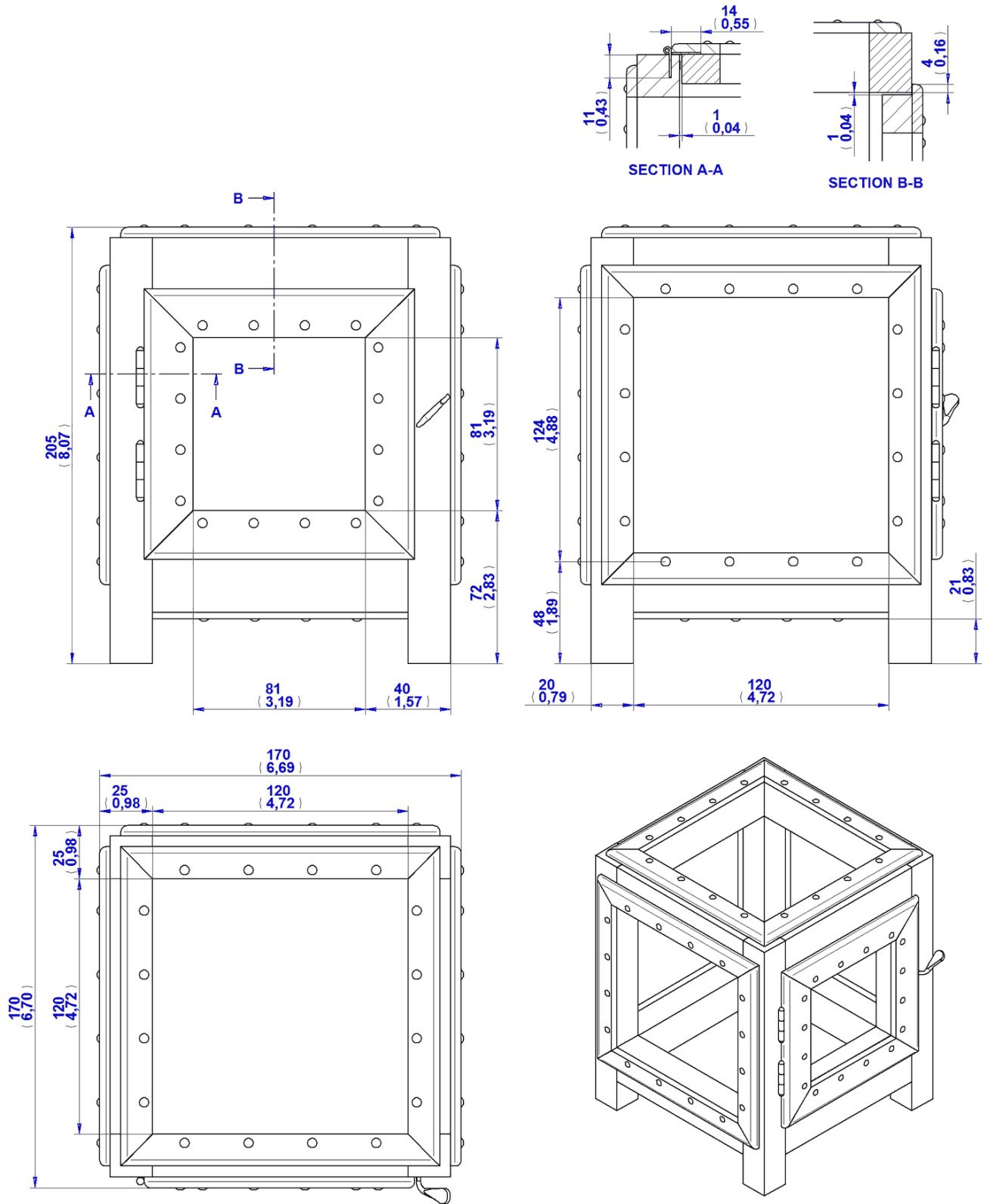


Small insect cage - Sub-assembly list

Item Number	Title	Quantity
1	Hinge nail	4
2	Door with hinge	1
3	Cage	1

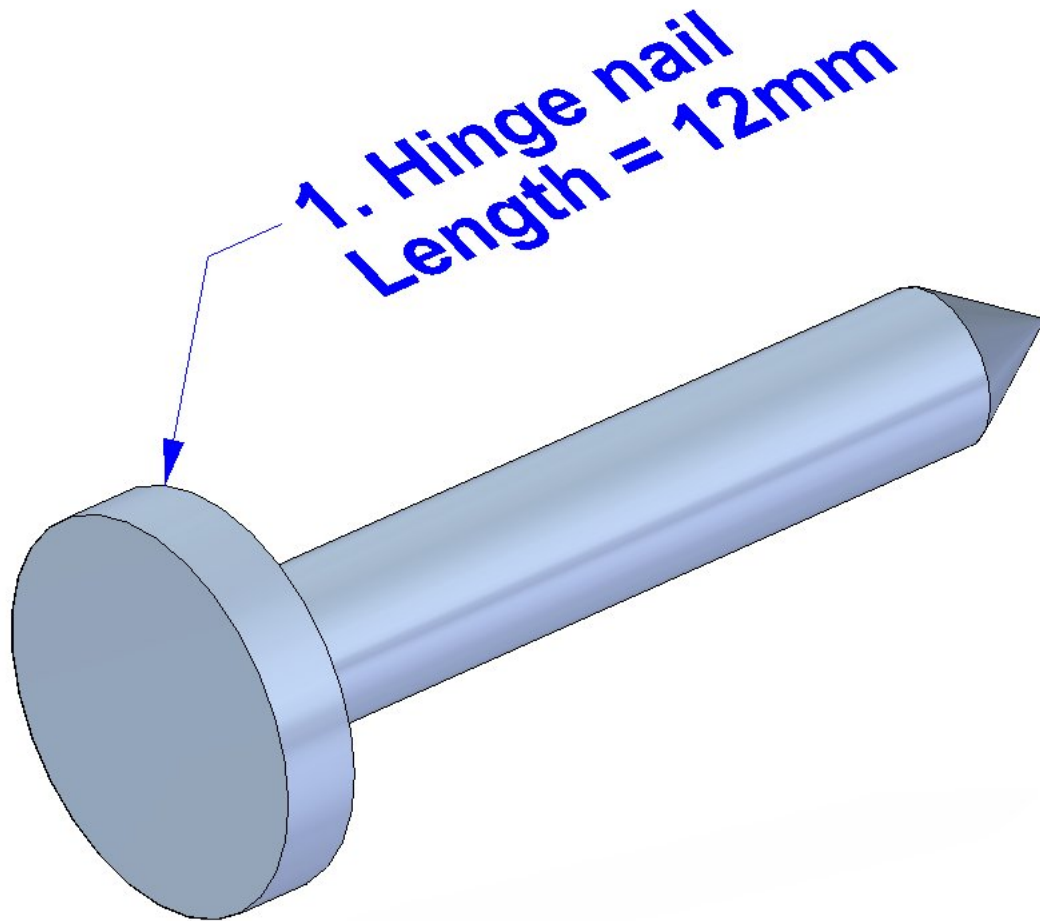


Insect cage assembly 2D drawing

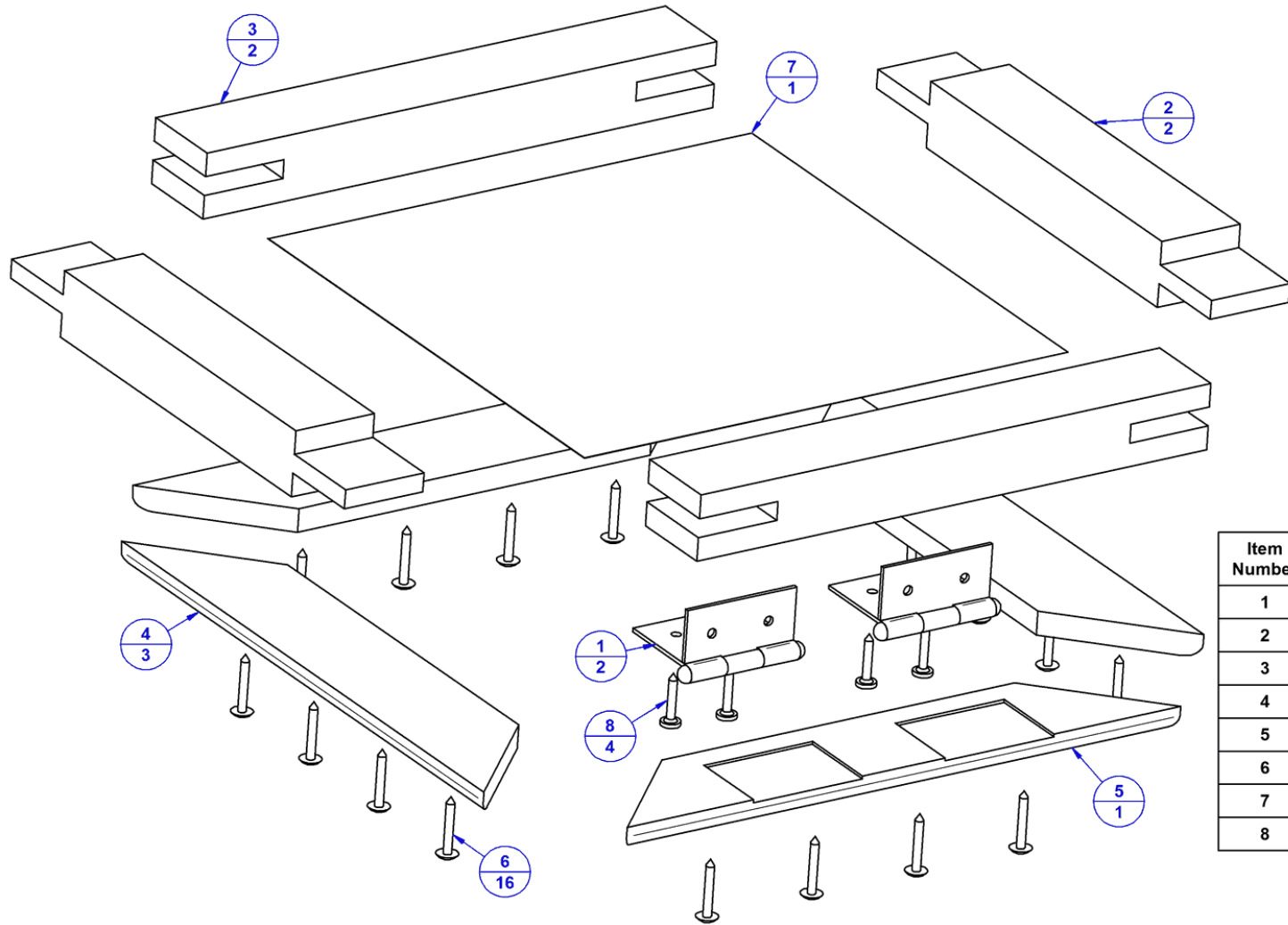


Insect cage standard parts

Hinge nail

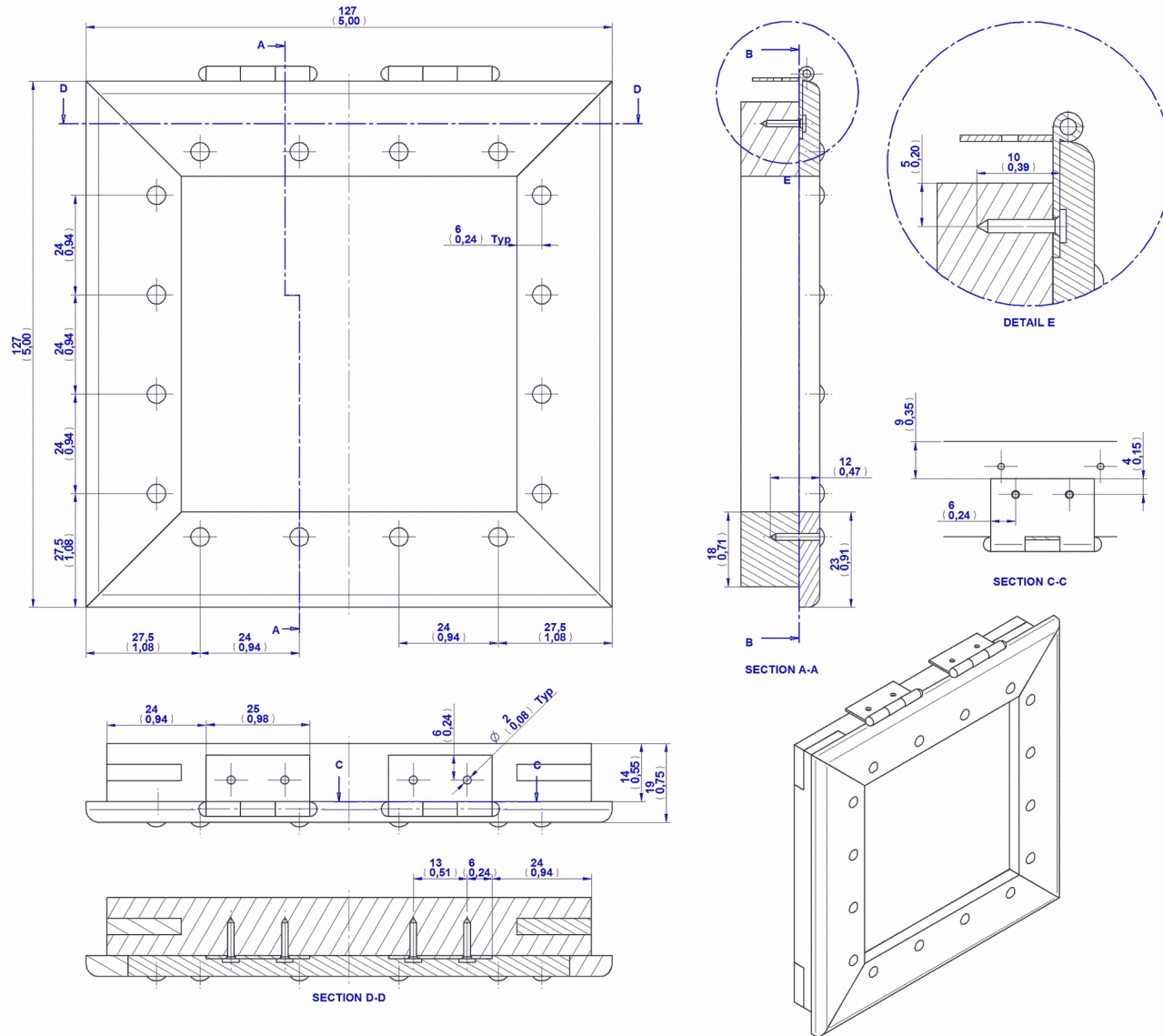


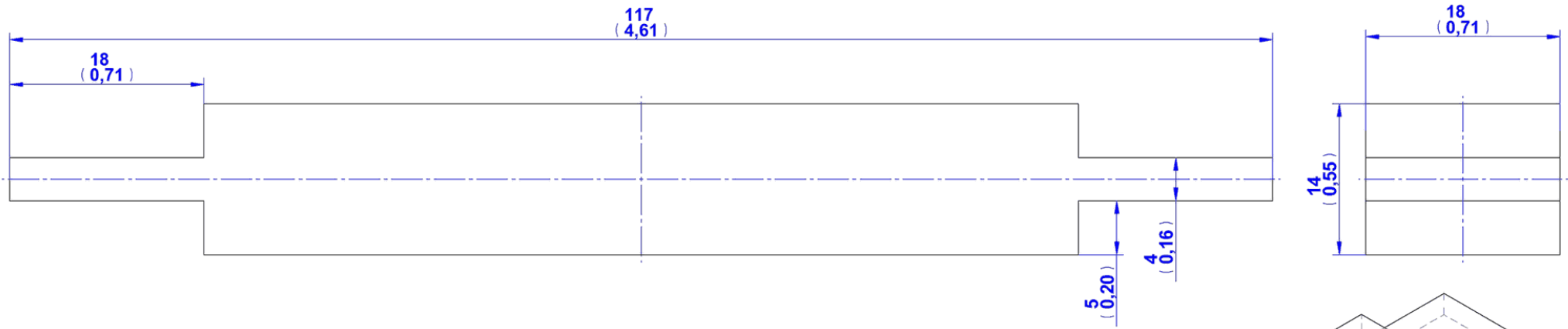
Door with hinge subassembly parts list



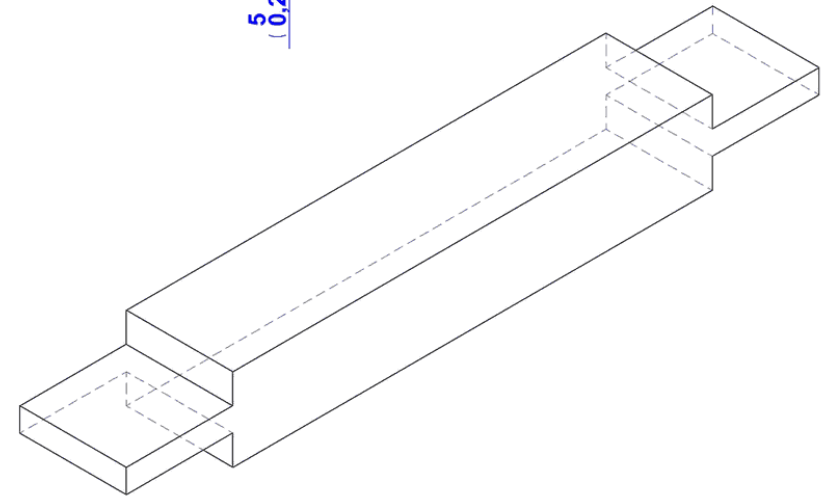
Item Number	Title	Material	Quantity
1	Hinge	Steel	2
2	Door Rail	Wood	2
3	Door Stile	Wood	2
4	Door Front	Wood	3
5	Door Front (hinge)	Wood	1
6	Nail	Steel	16
7	Door net	Beekiping net	1
8	Hinge nail	Steel	4

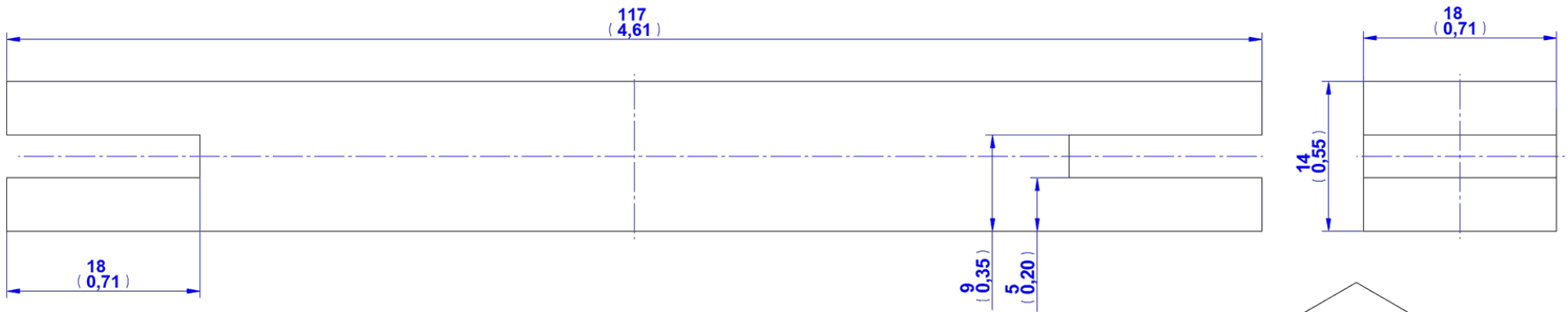
Door with hinge subassembly 2D drawing



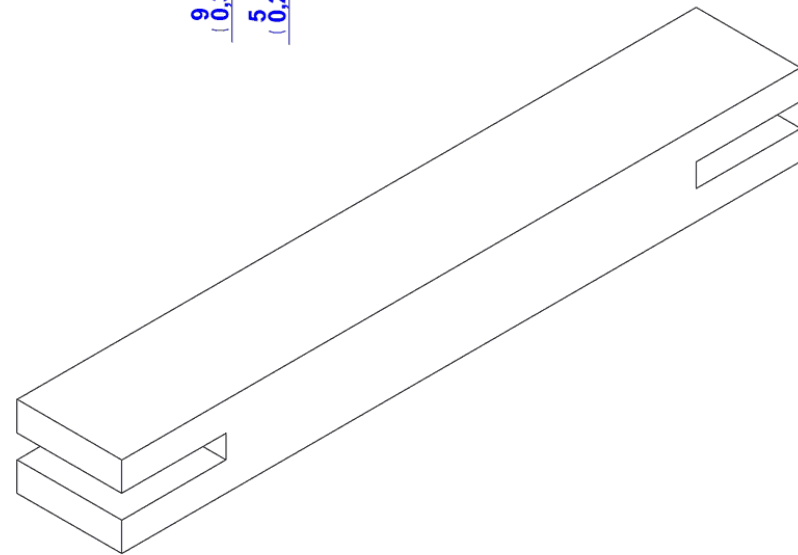


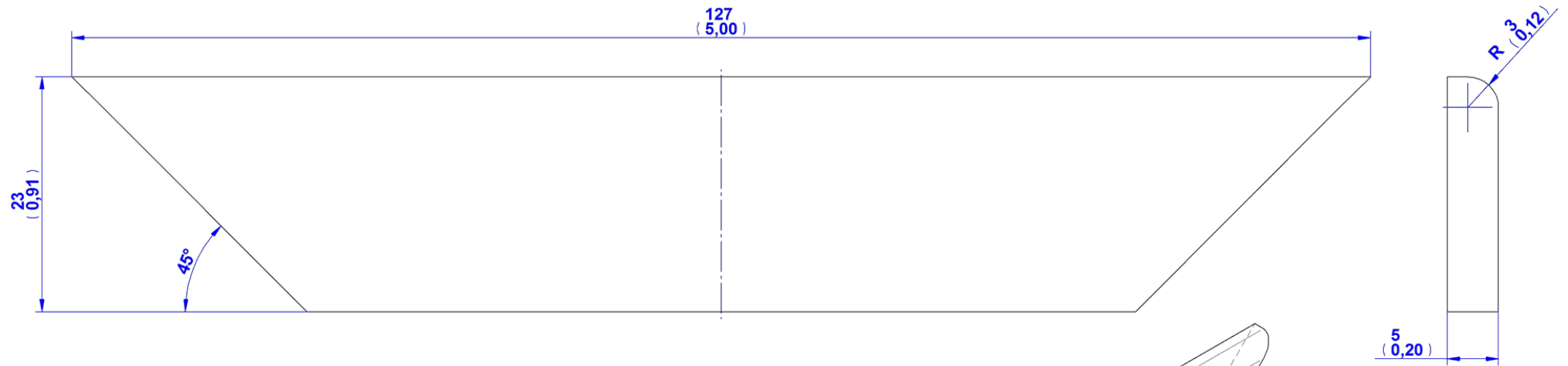
2.02 Door rail



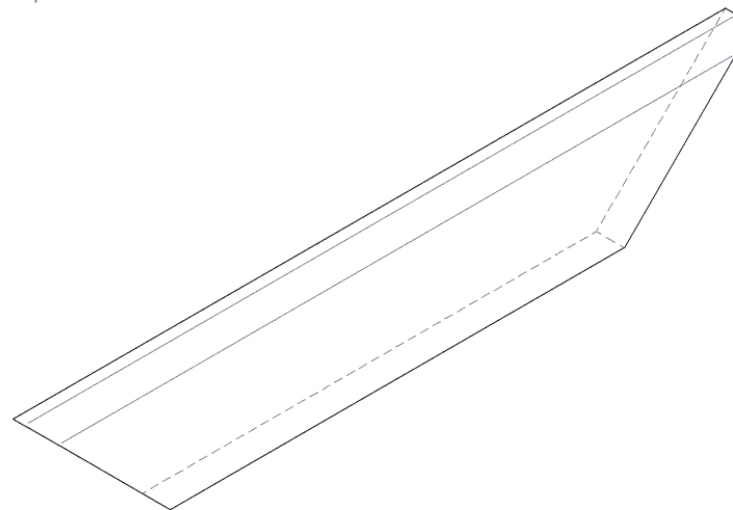


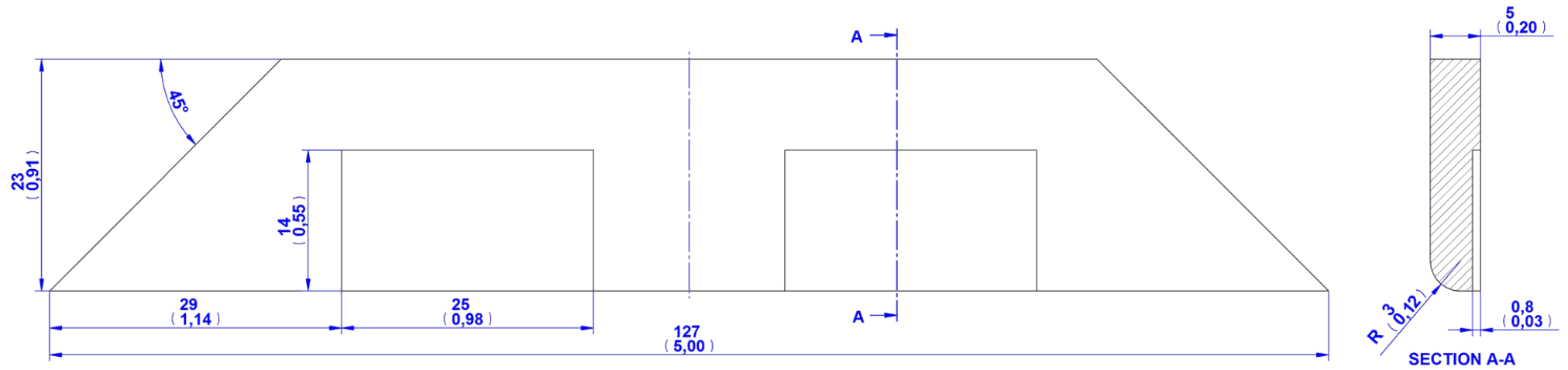
2.03 Door stile



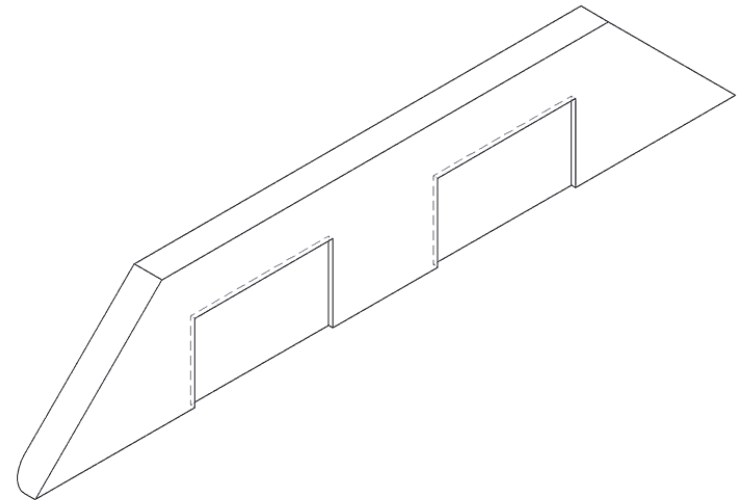


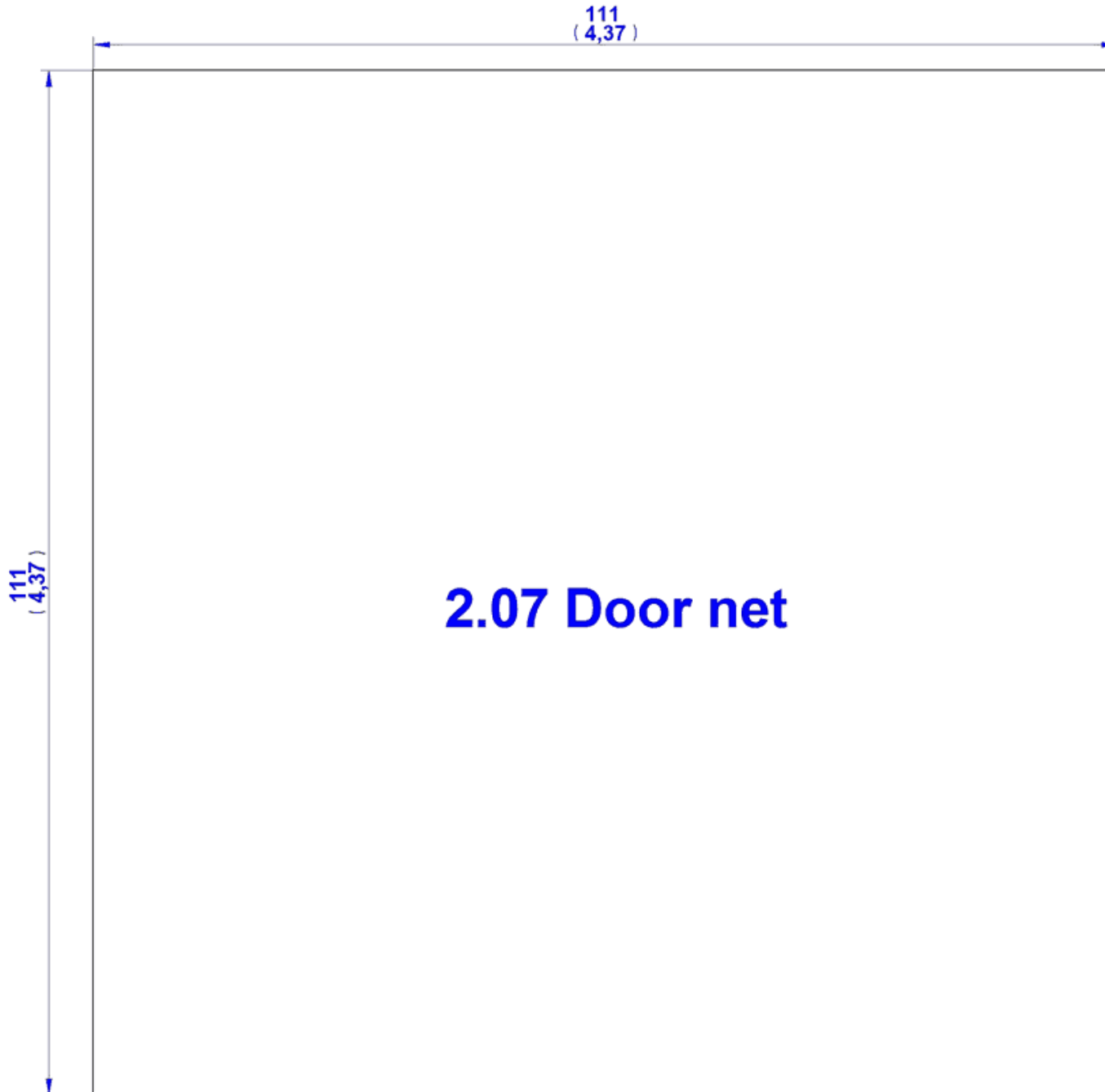
2.04 Door front





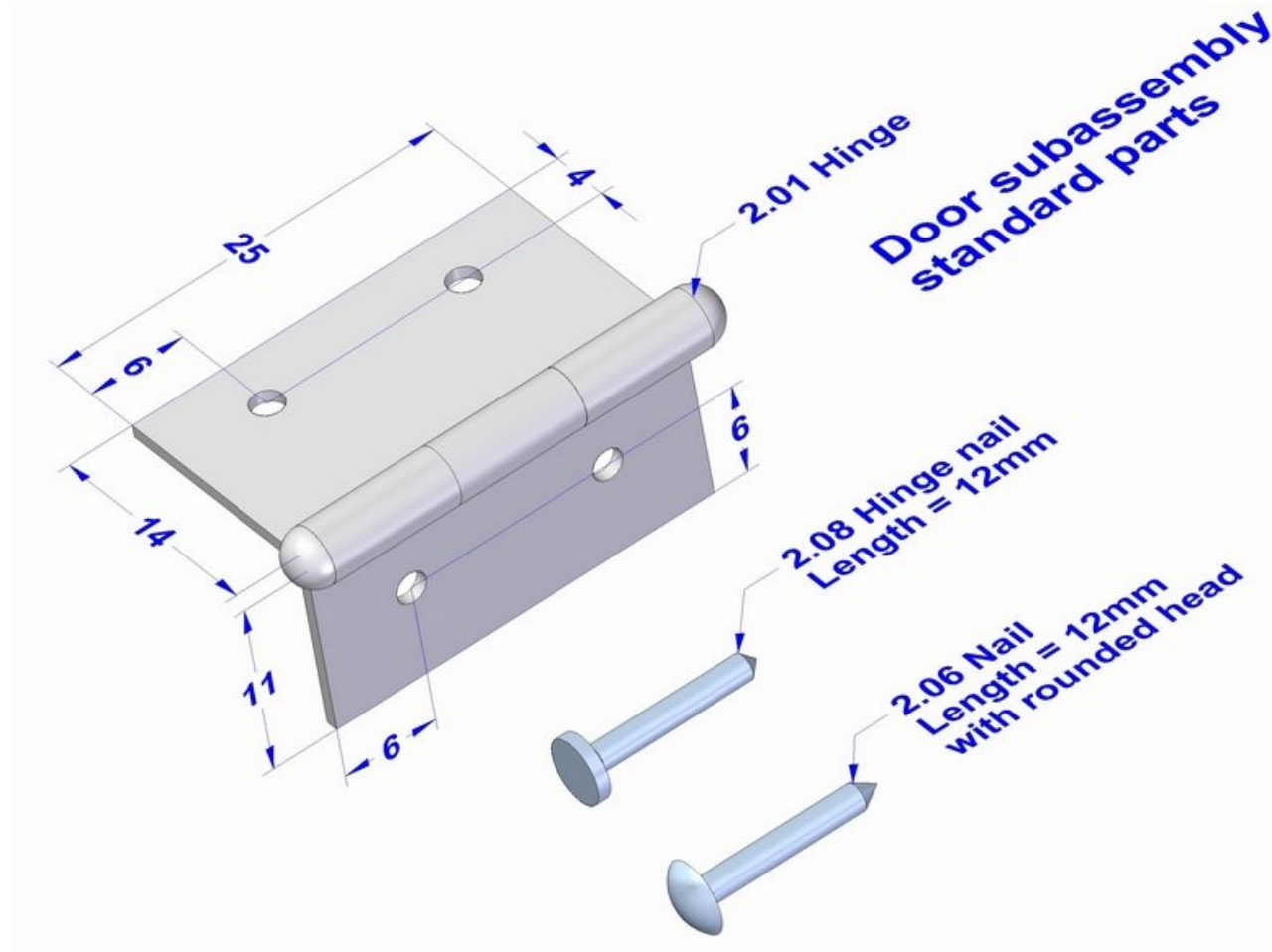
2.05 Door front (hinge)





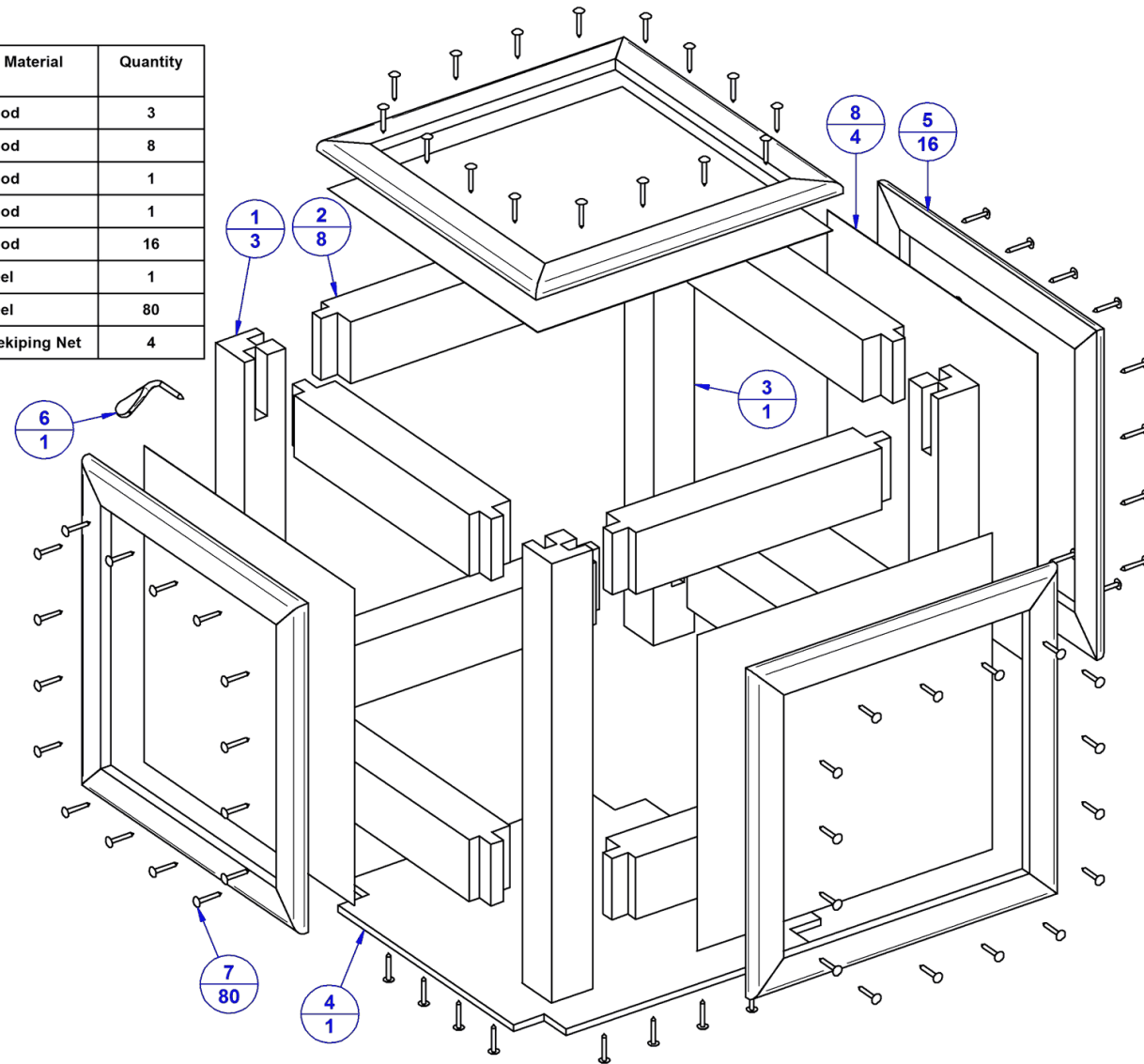
2.07 Door net

Door with hinge sub-assembly standard parts

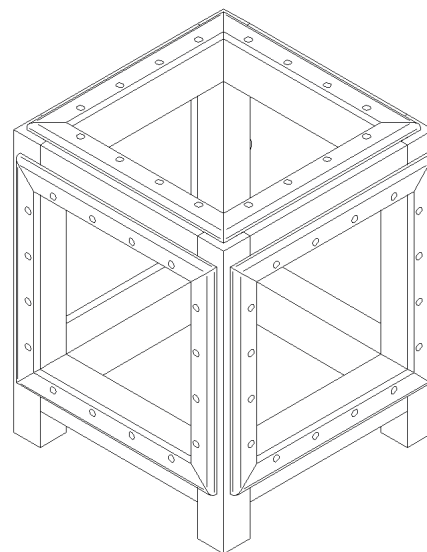
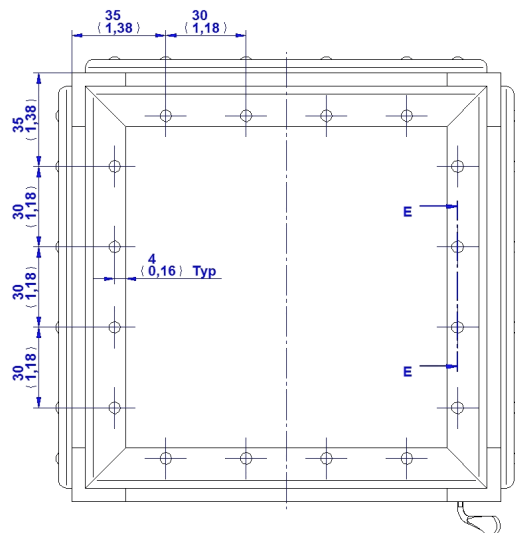
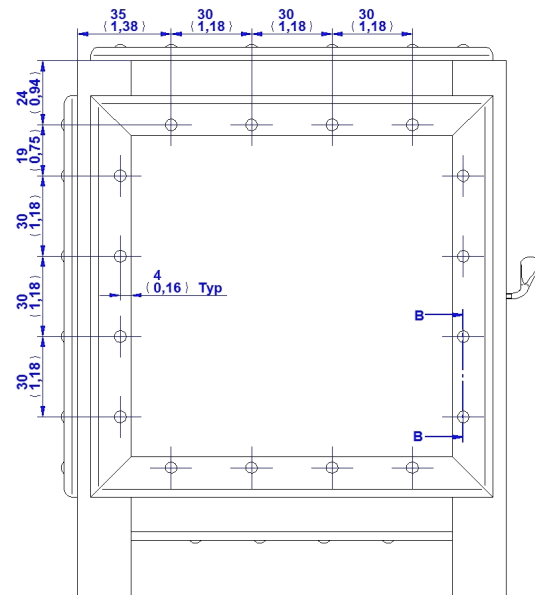
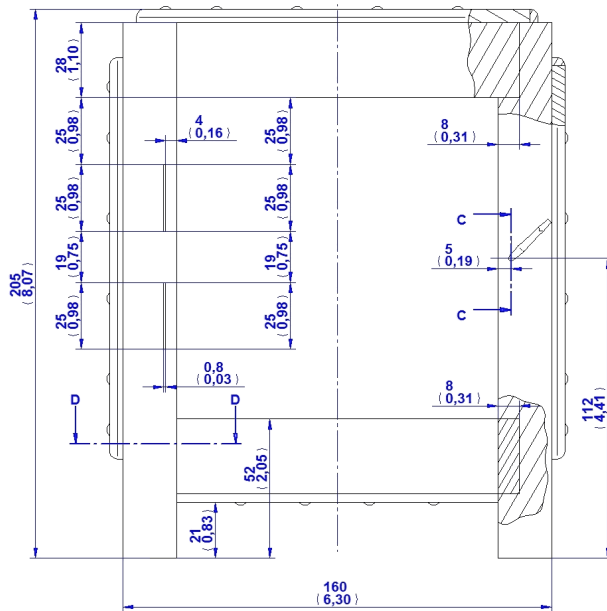
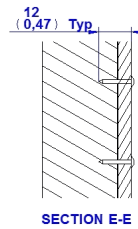
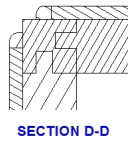
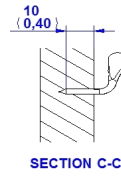
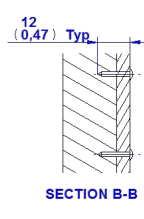
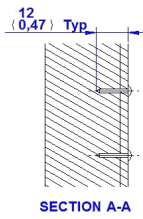
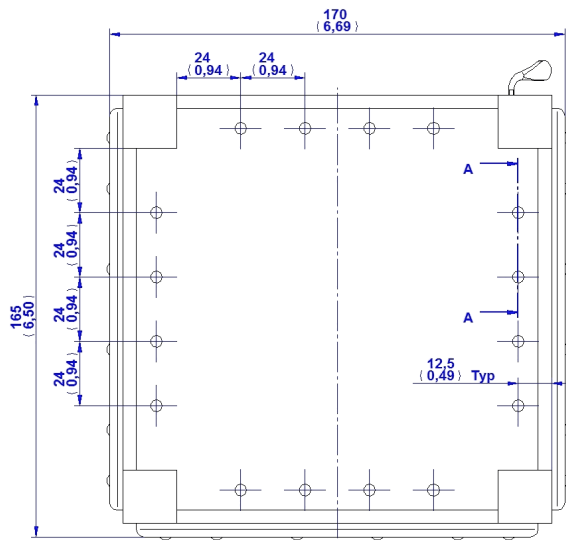


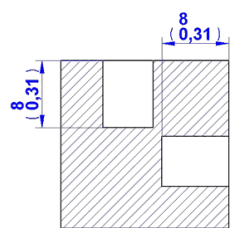
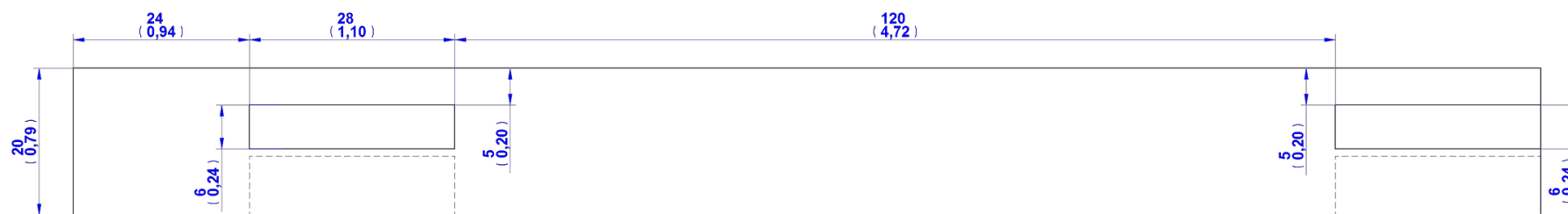
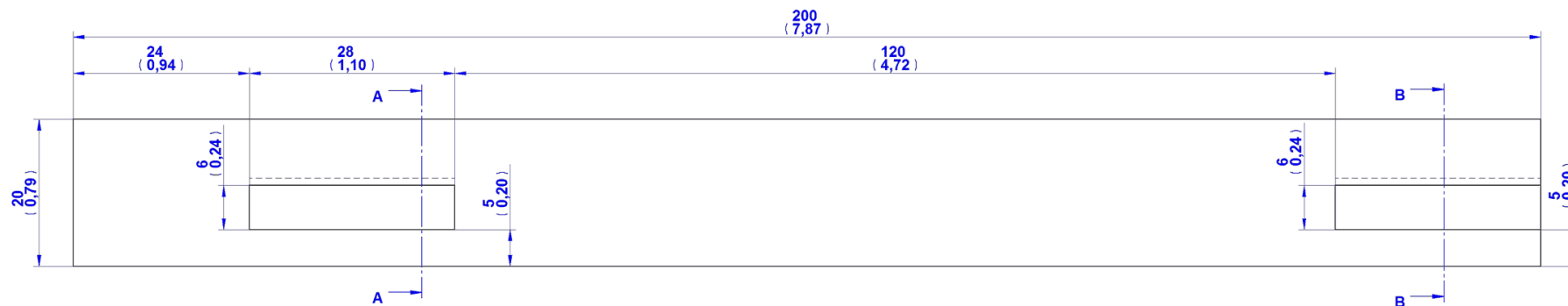
Cage subassembly parts list

Item Number	Title	Material	Quantity
1	Post	Wood	3
2	Rail	Wood	8
3	Door Post	Wood	1
4	Floor Board	Wood	1
5	Slat	Wood	16
6	Lock Screw	Steel	1
7	Nail	Steel	80
8	Window Net	Beekiping Net	4

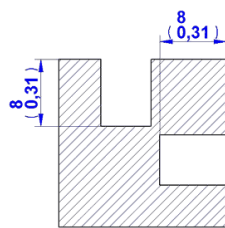


Cage subassembly 2D drawing



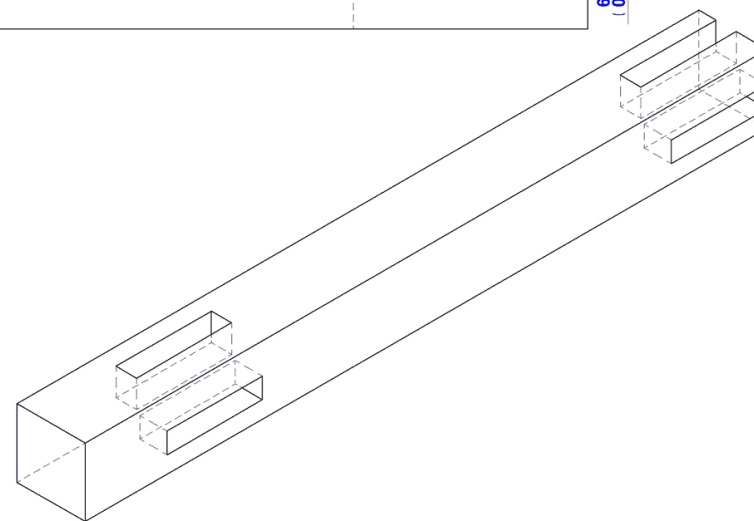


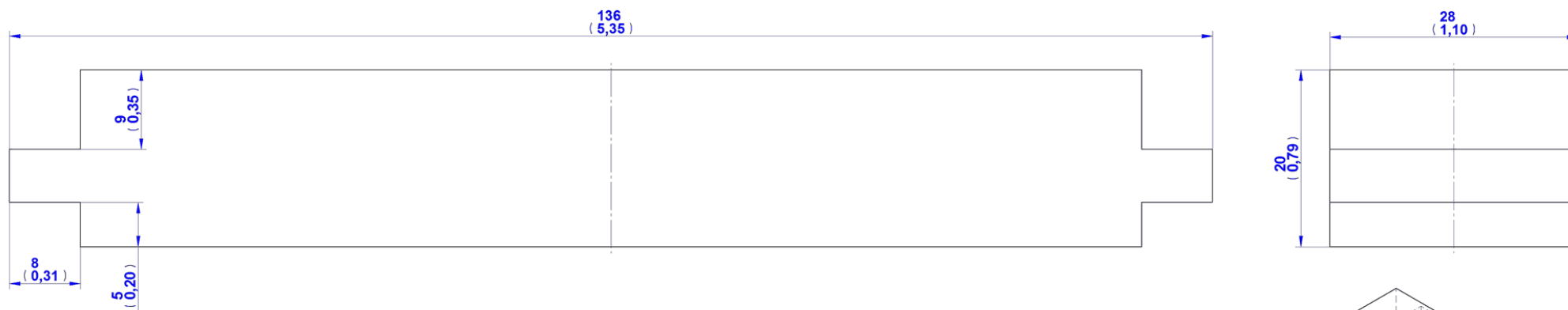
SECTION A-A



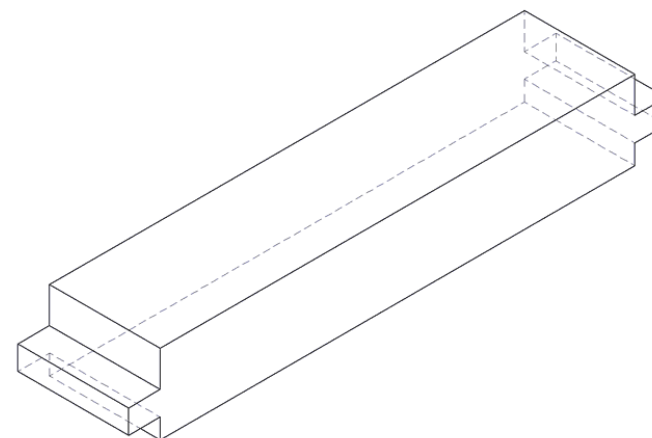
SECTION B-B

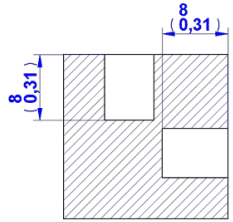
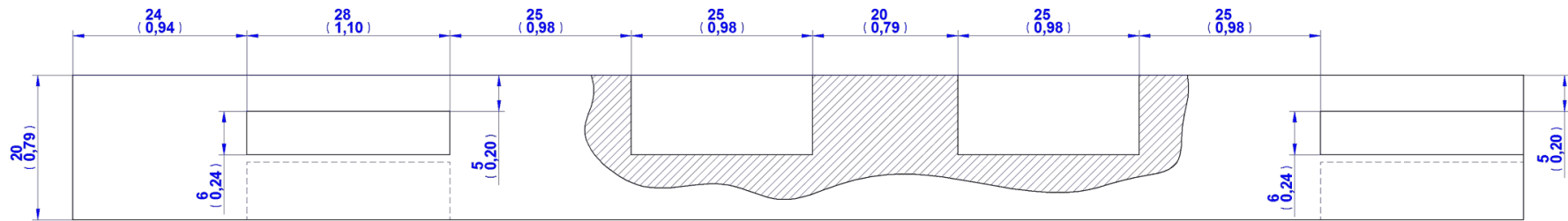
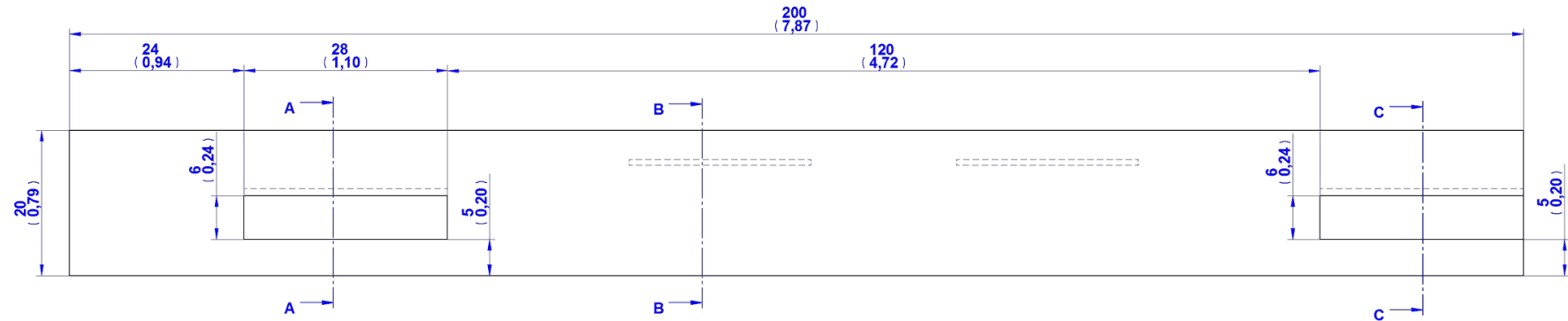
3.01 Post



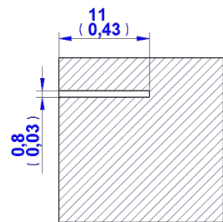


3.02 Rail

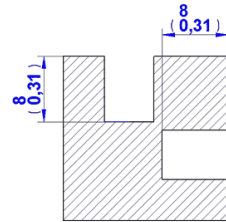




SECTION A-A

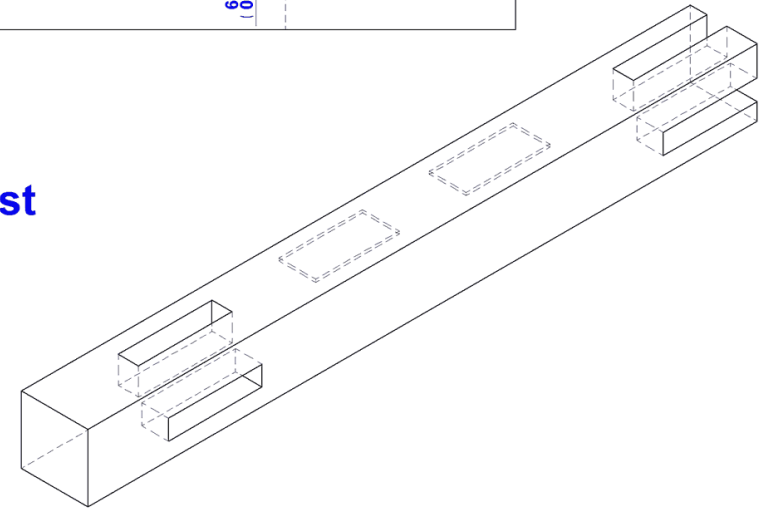


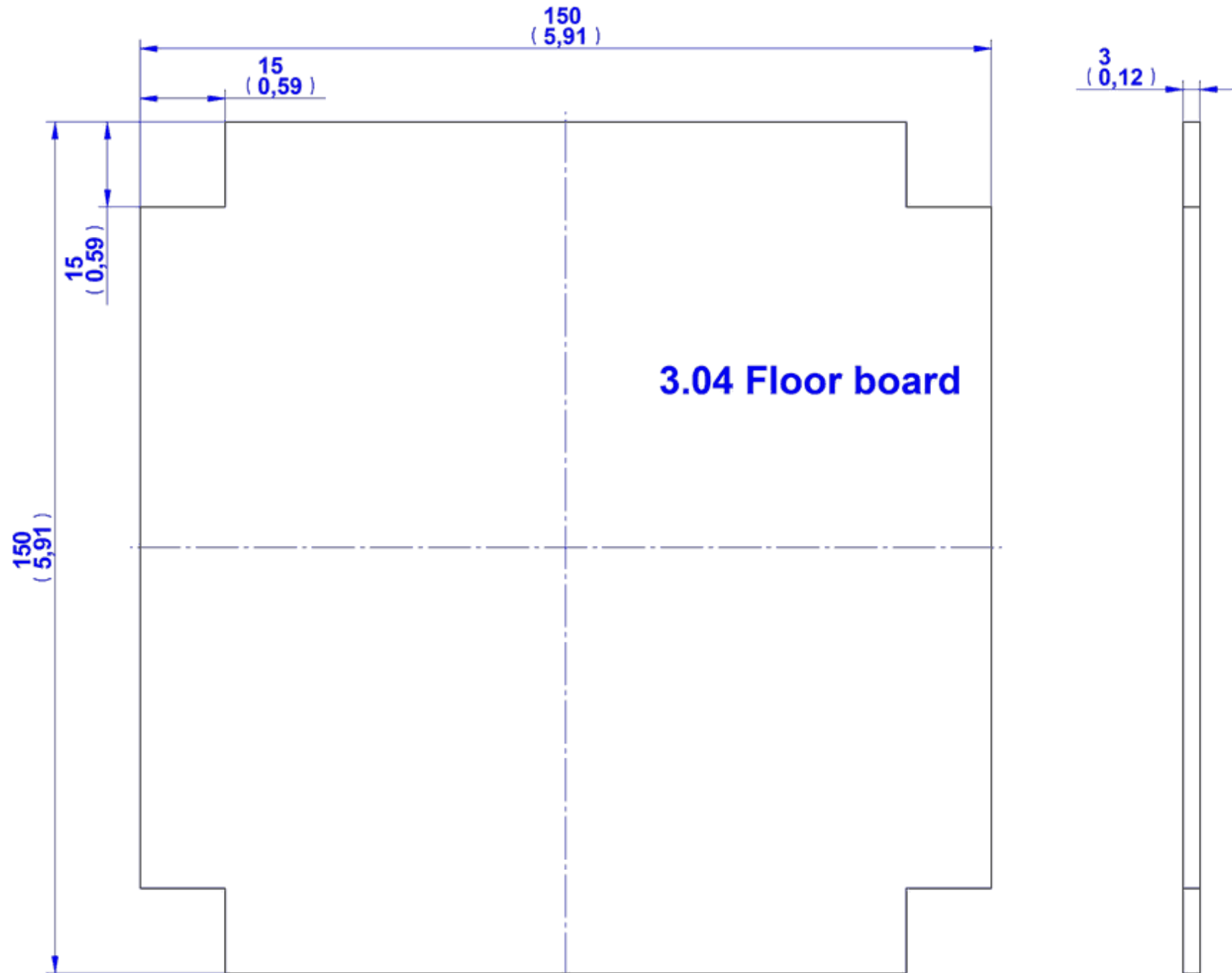
SECTION B-B

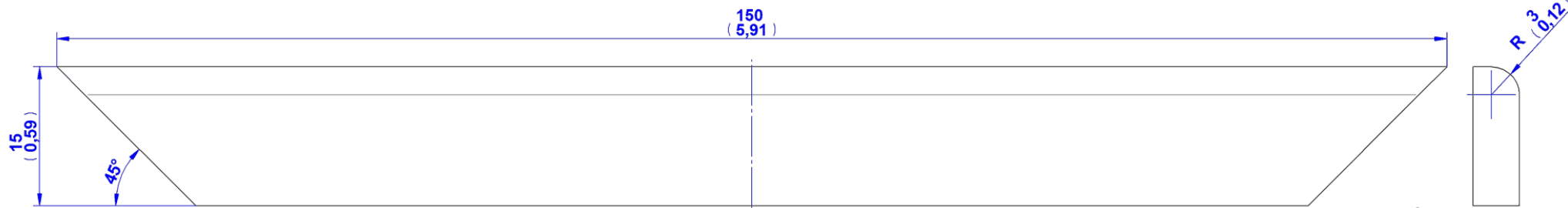


SECTION C-C

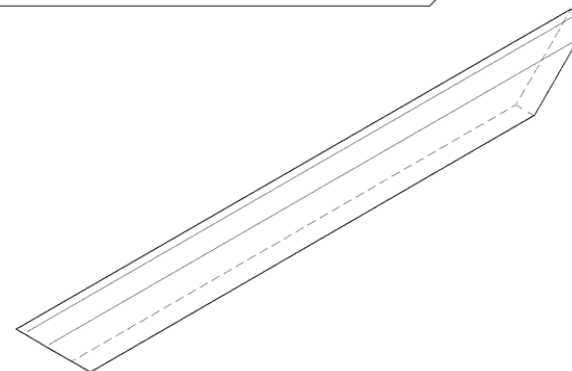
3.03 Door post

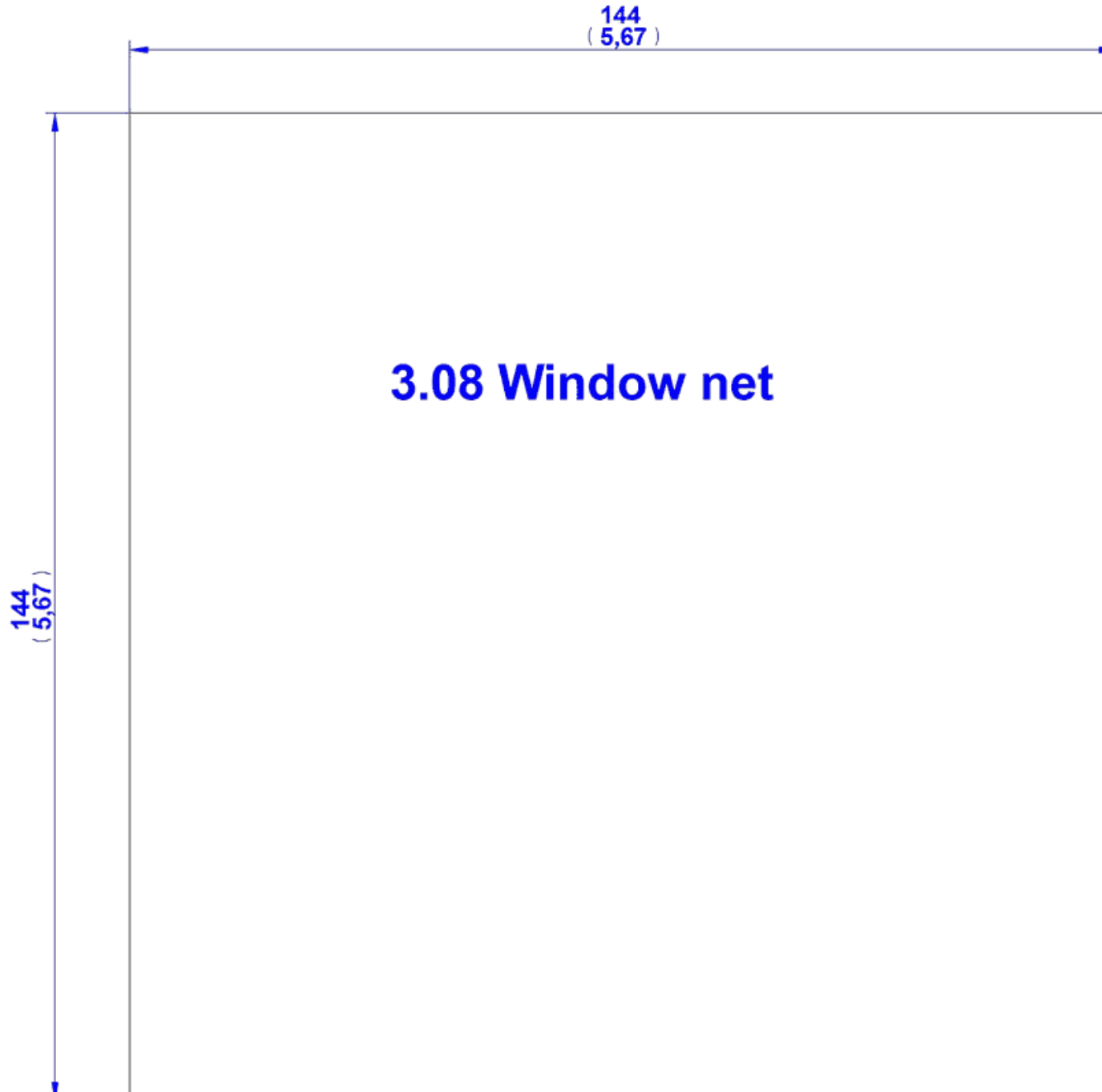






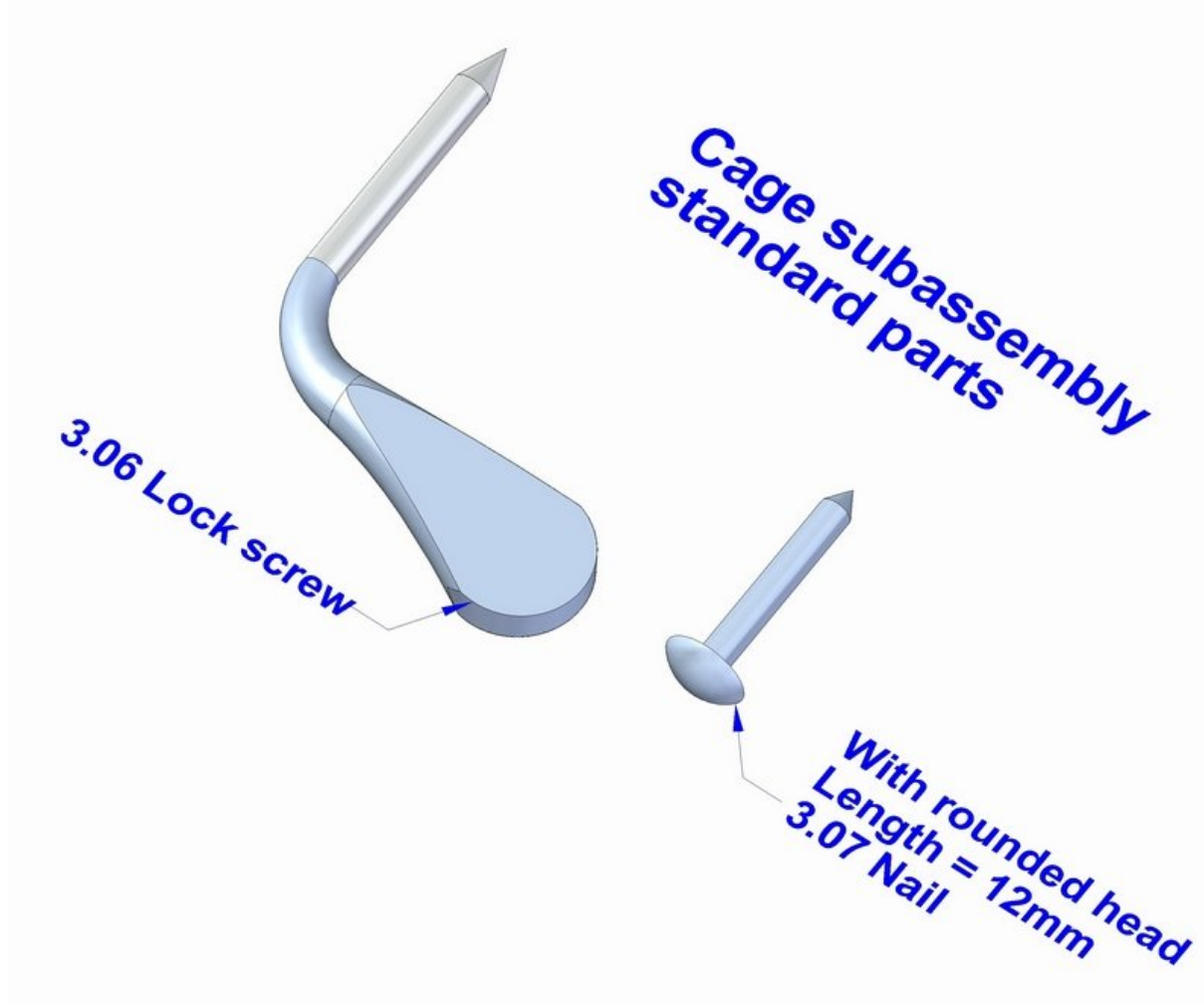
3.05 Slat



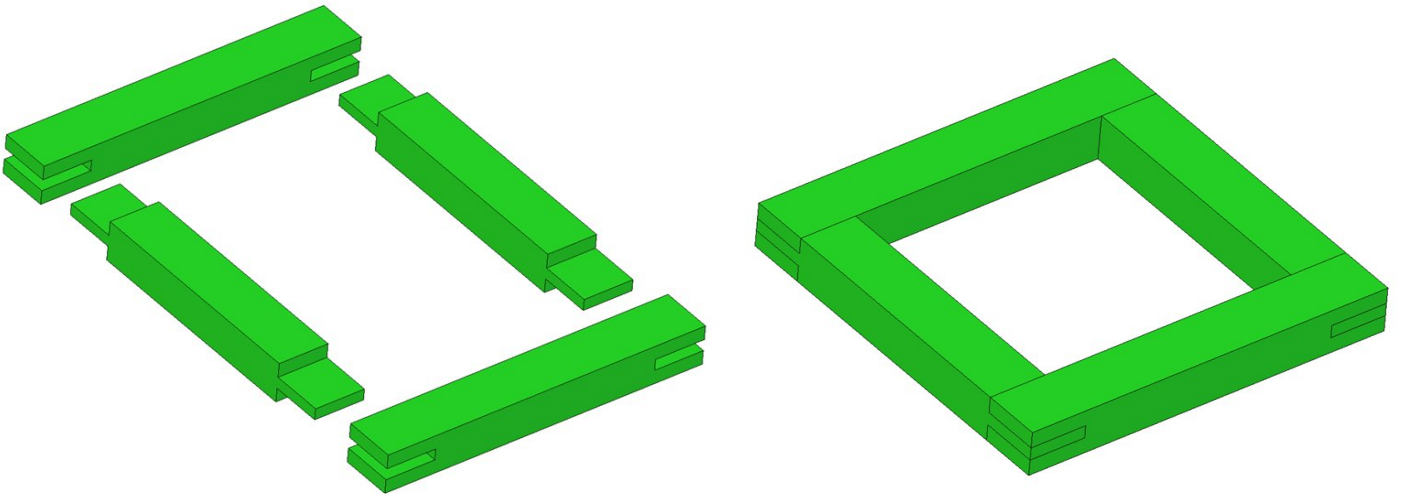


3.08 Window net

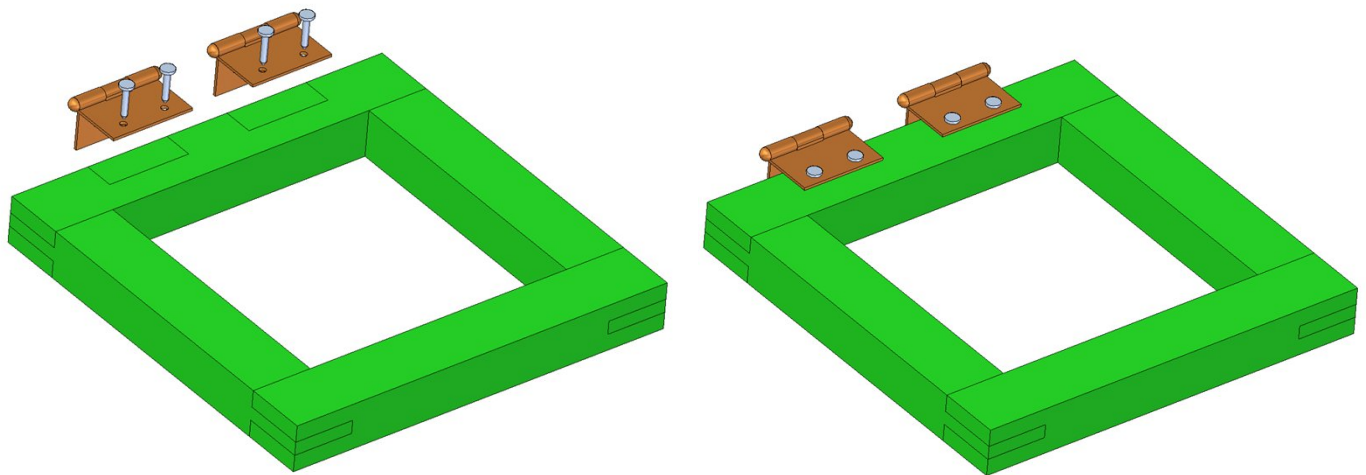
Cage subassembly standard parts



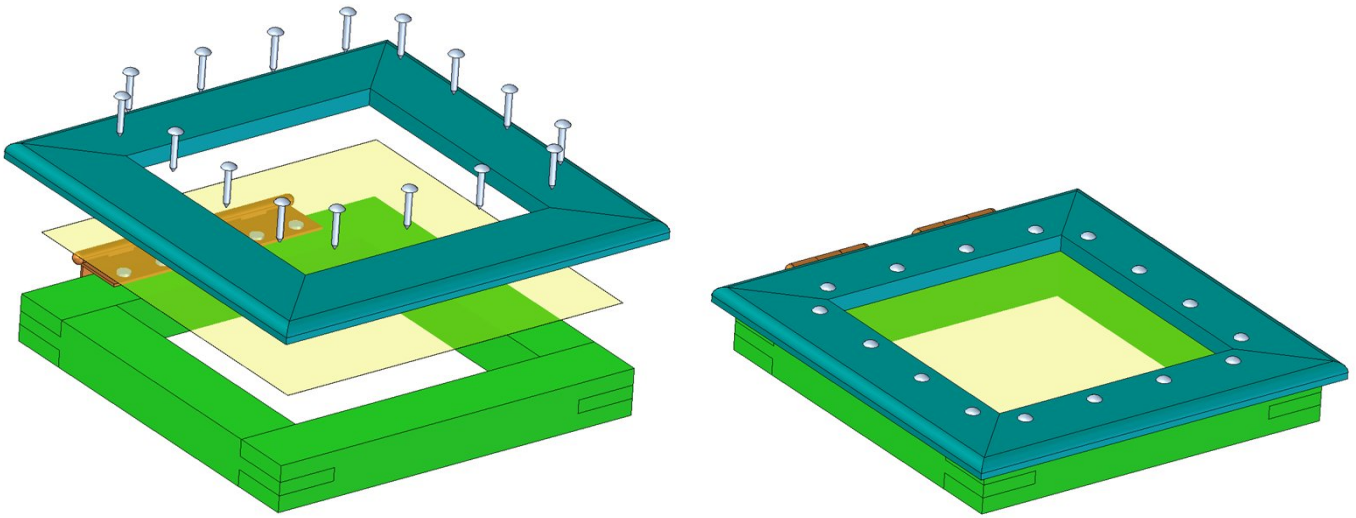
1.



2.

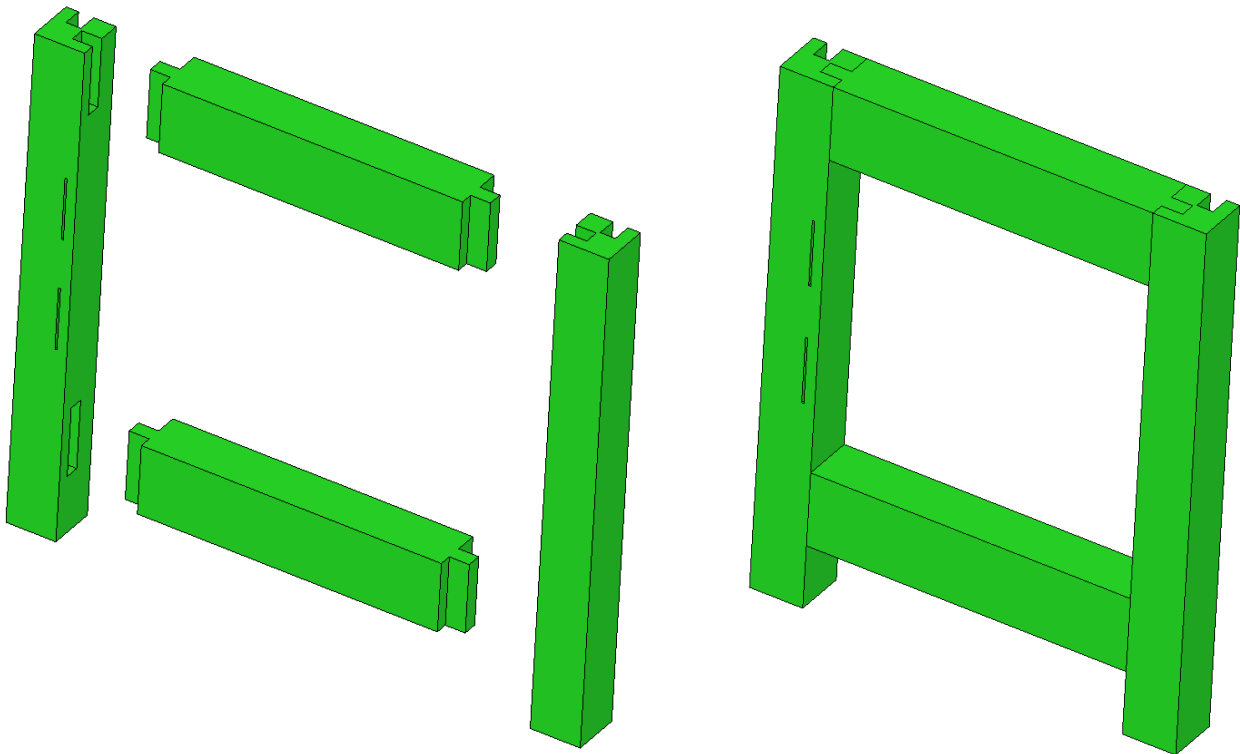


3.

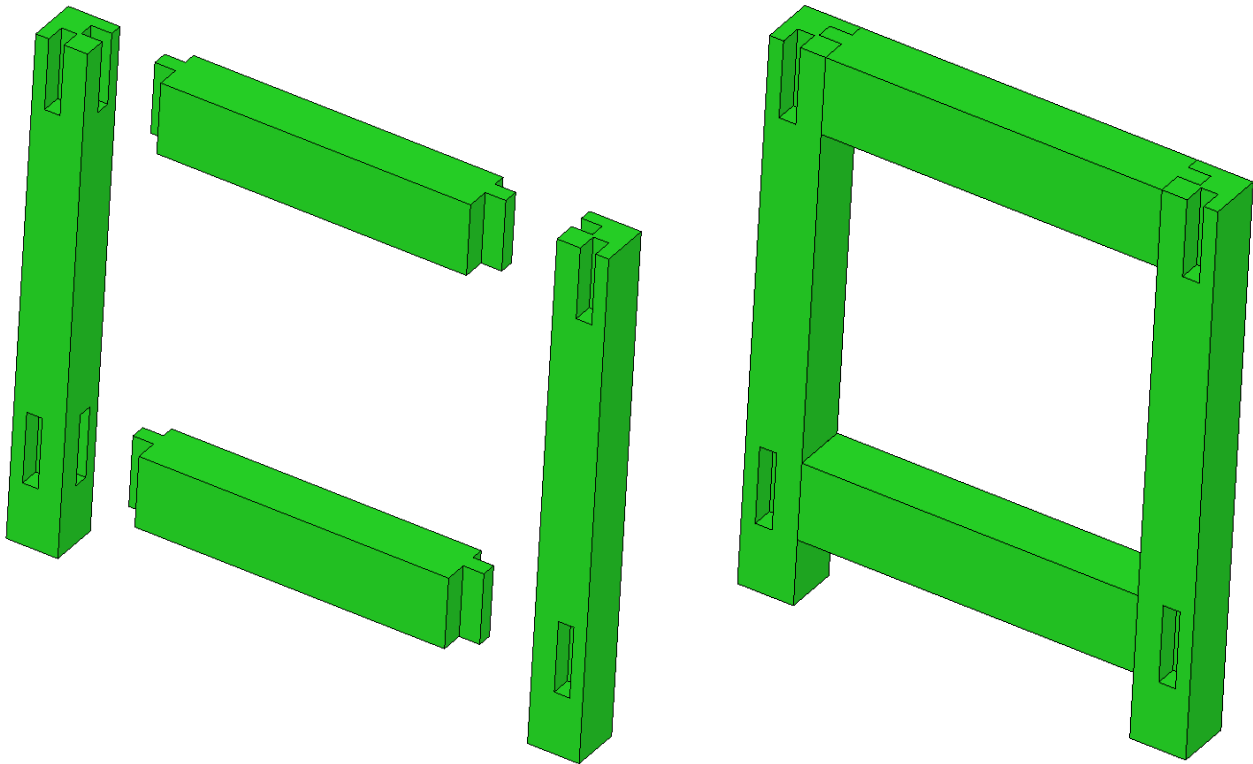


Cage subassembly assemblage instructions

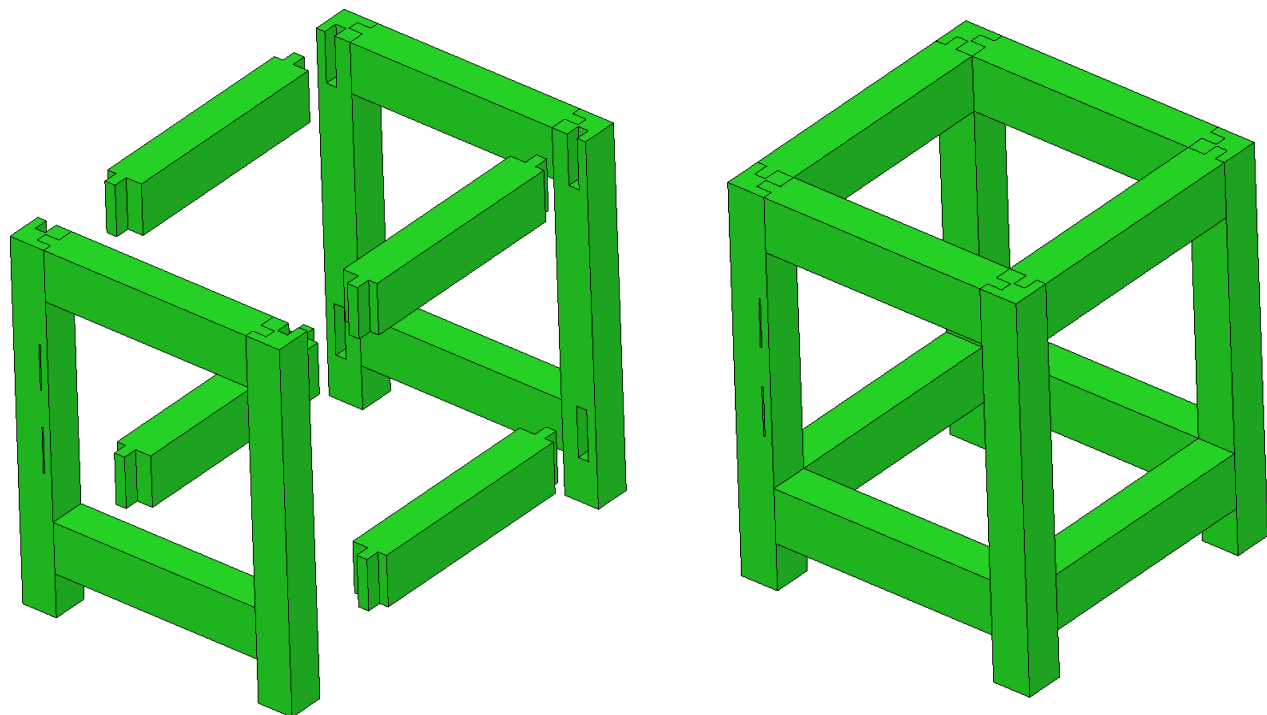
4.



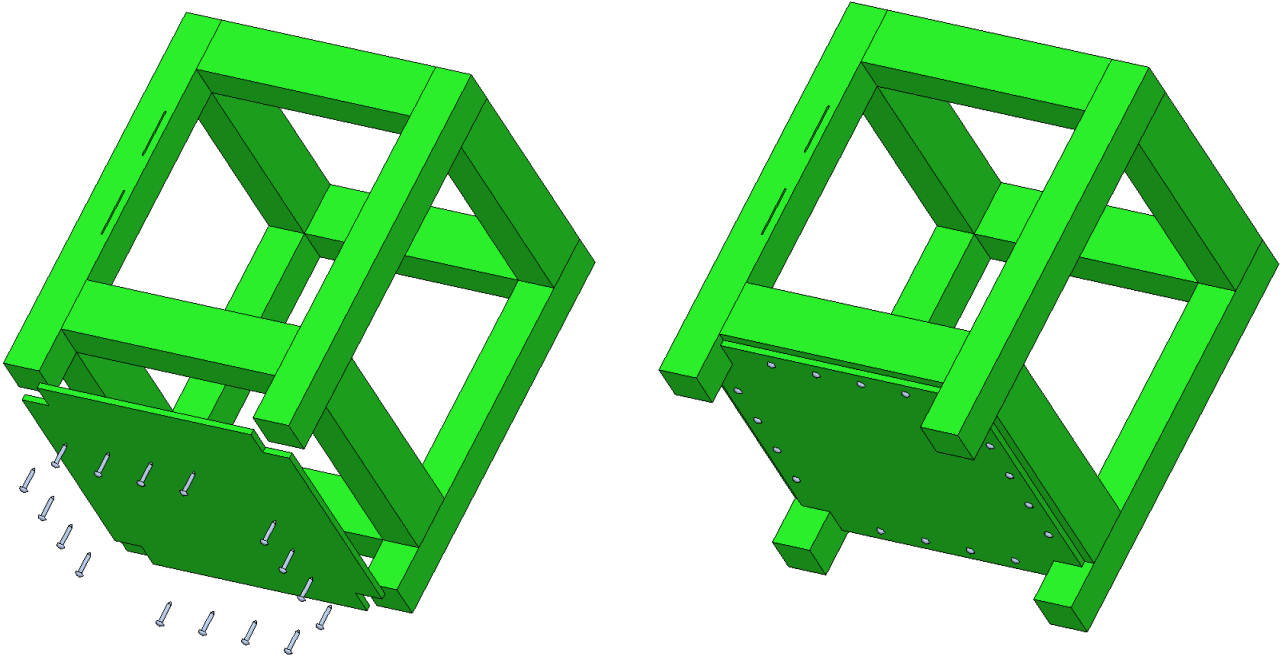
5.



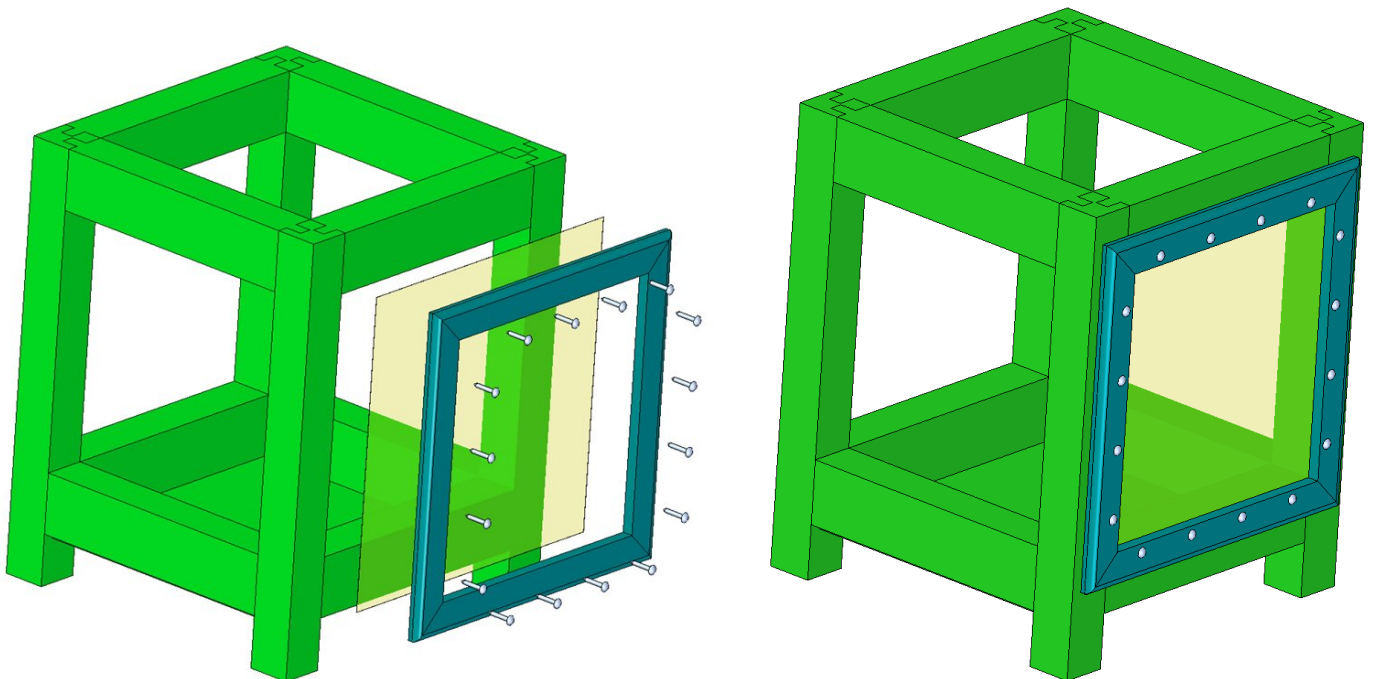
6.



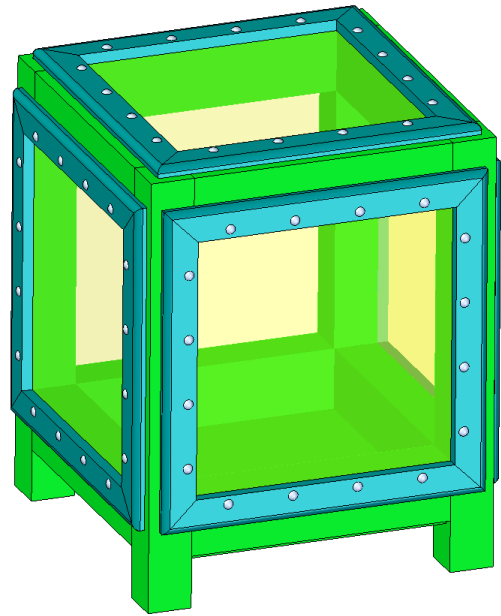
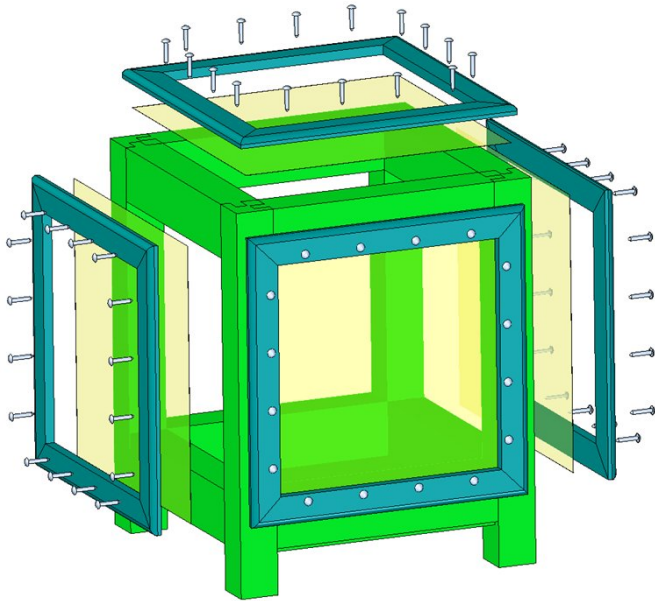
7.



8.

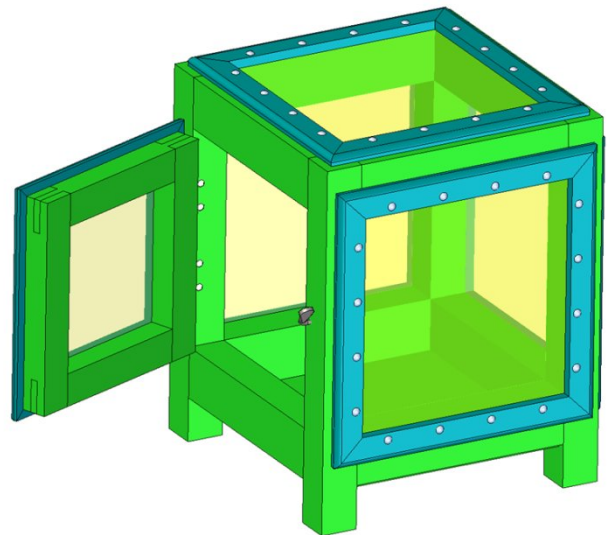
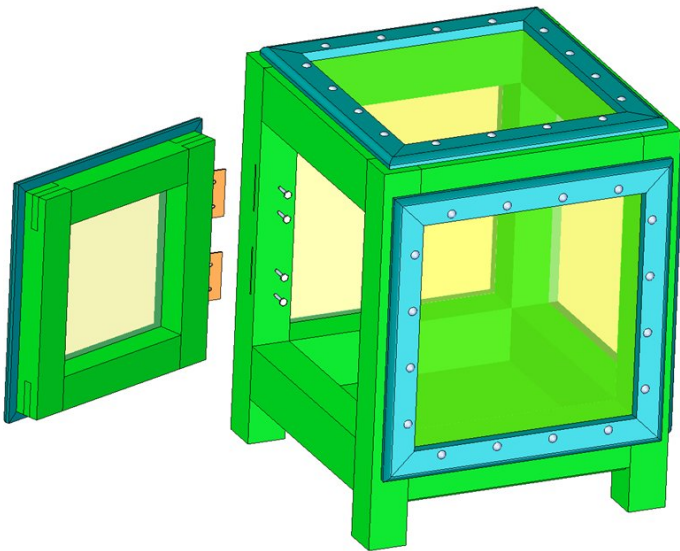


9.



Final insect cage assemblage

10.



11.

