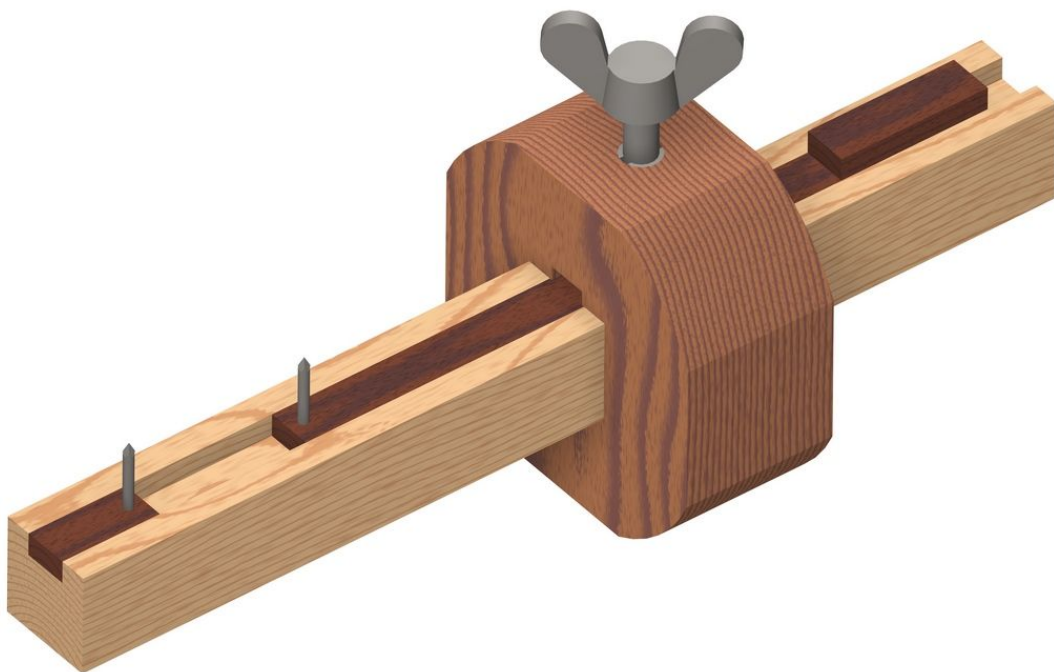


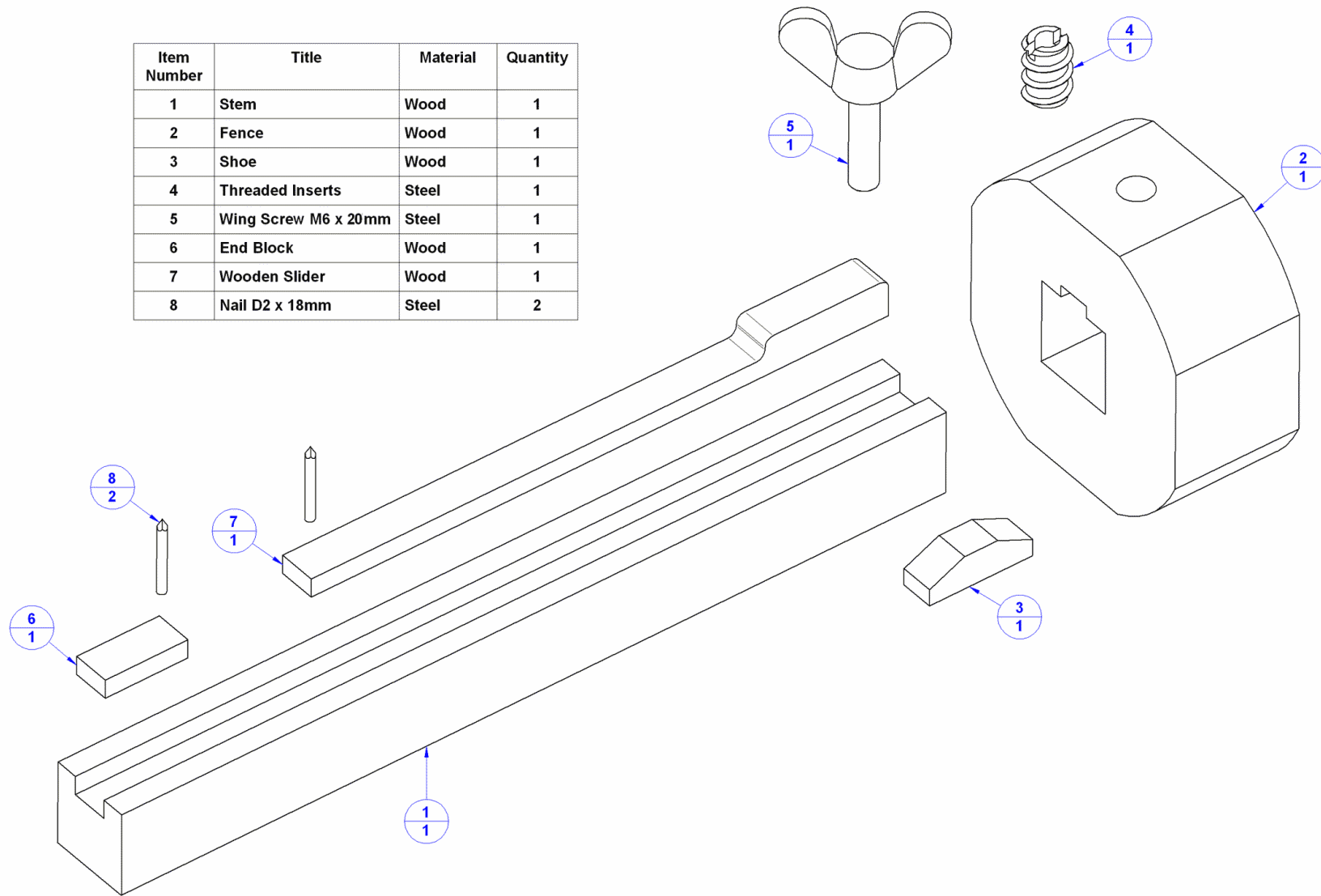
Mortise gauge plan - Locking screw version

This design consist of a single stem which has a groove cut out of one side. A small wooden slider, carrying a spur, fits into the groove, and can be locked in any position along the length of the stem. The groove is filled in at one end by a small block of wood. The second spur is hammered through the block.

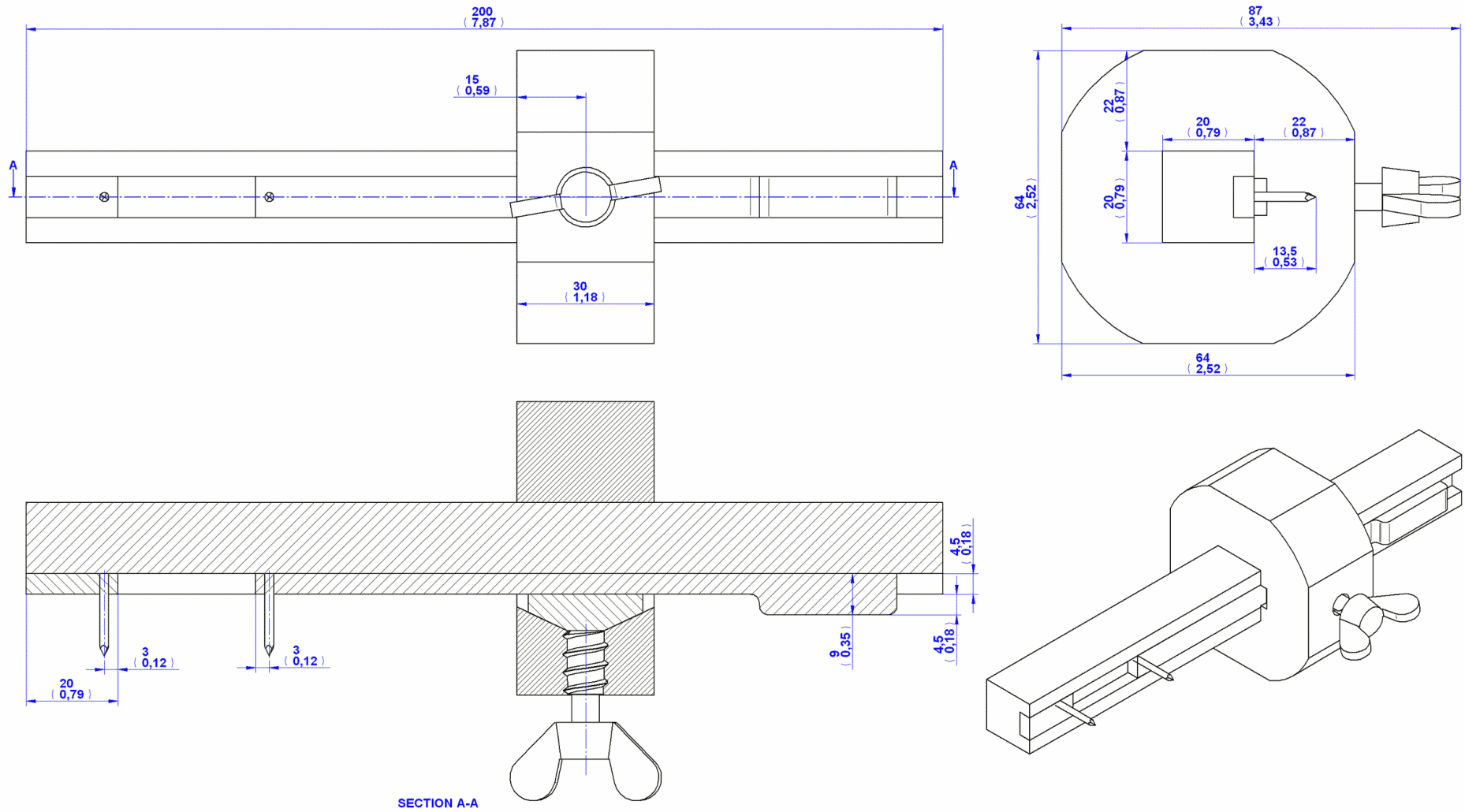


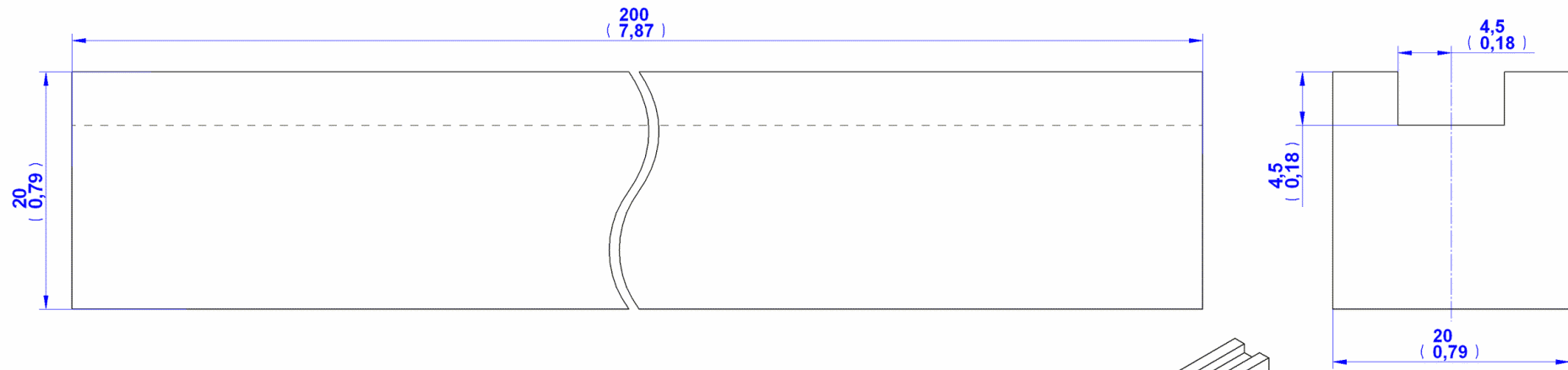
Parts list

Item Number	Title	Material	Quantity
1	Stem	Wood	1
2	Fence	Wood	1
3	Shoe	Wood	1
4	Threaded Inserts	Steel	1
5	Wing Screw M6 x 20mm	Steel	1
6	End Block	Wood	1
7	Wooden Slider	Wood	1
8	Nail D2 x 18mm	Steel	2

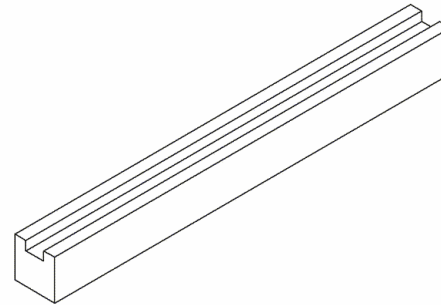


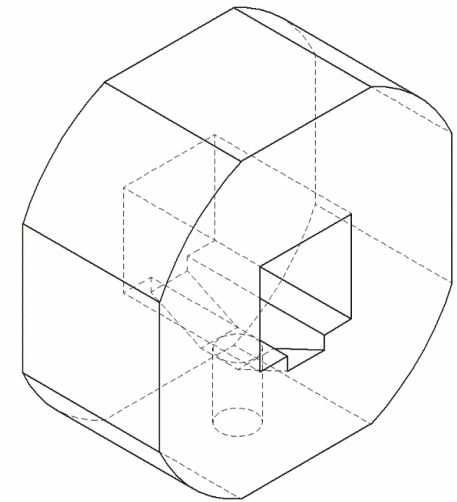
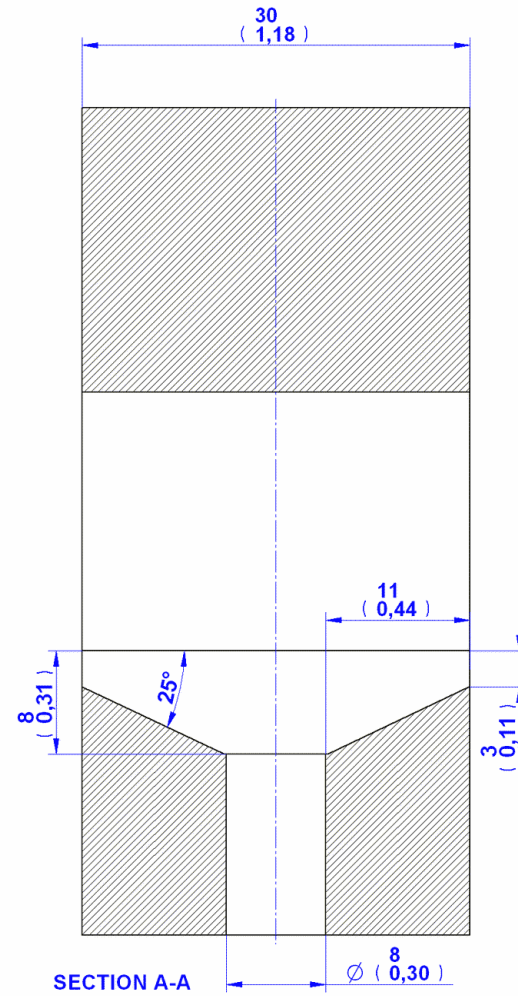
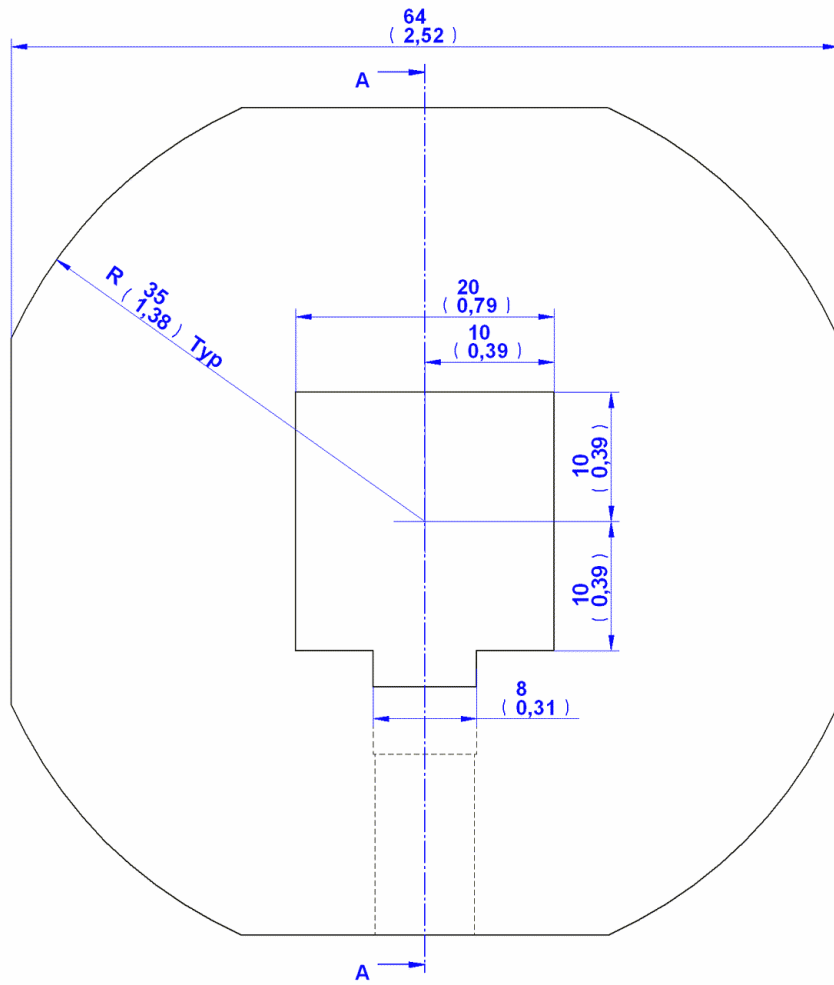
Assembly drawing





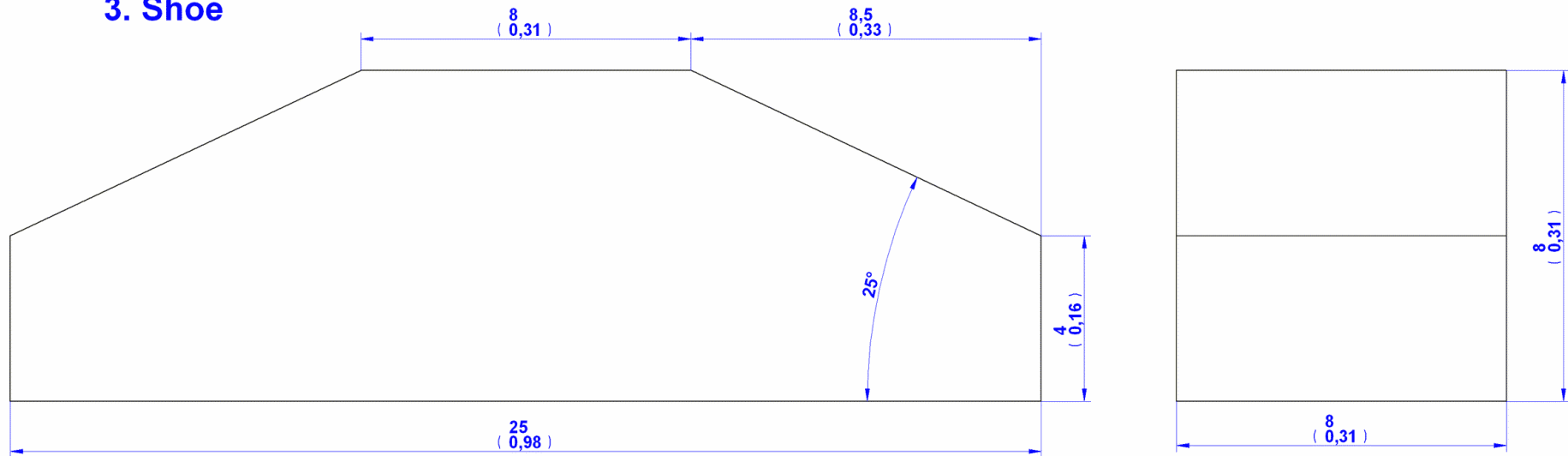
1. Stem

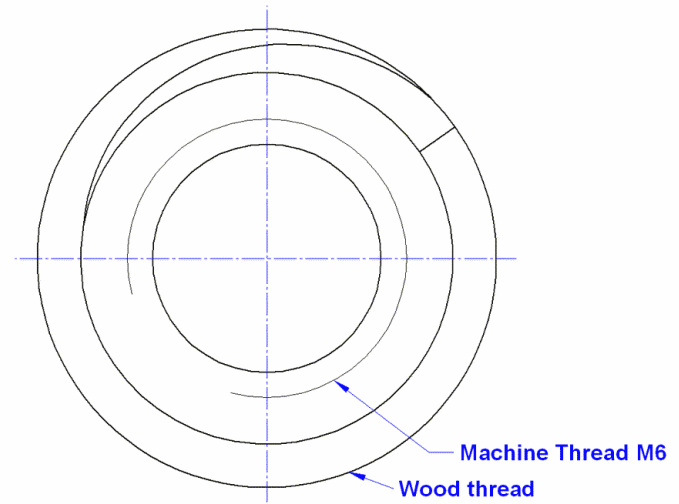
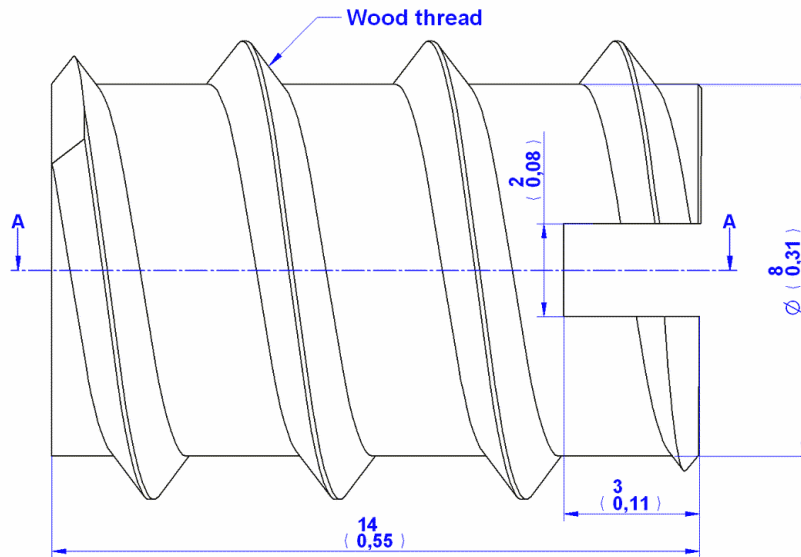




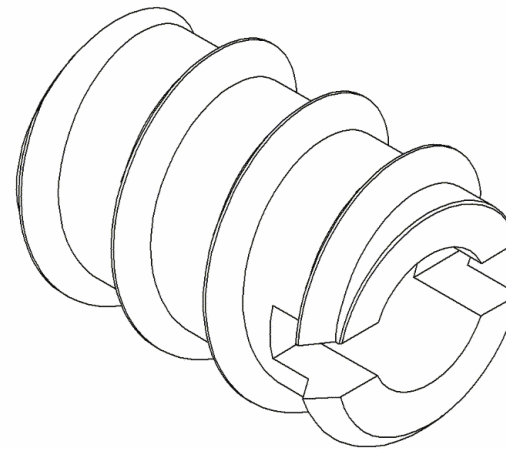
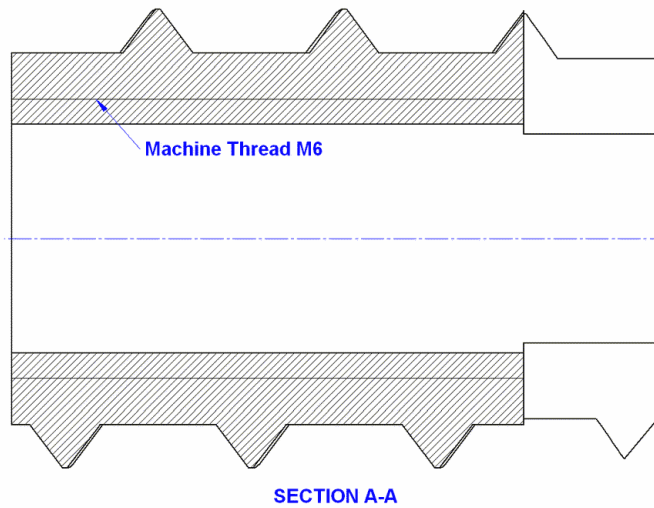
2. Fence

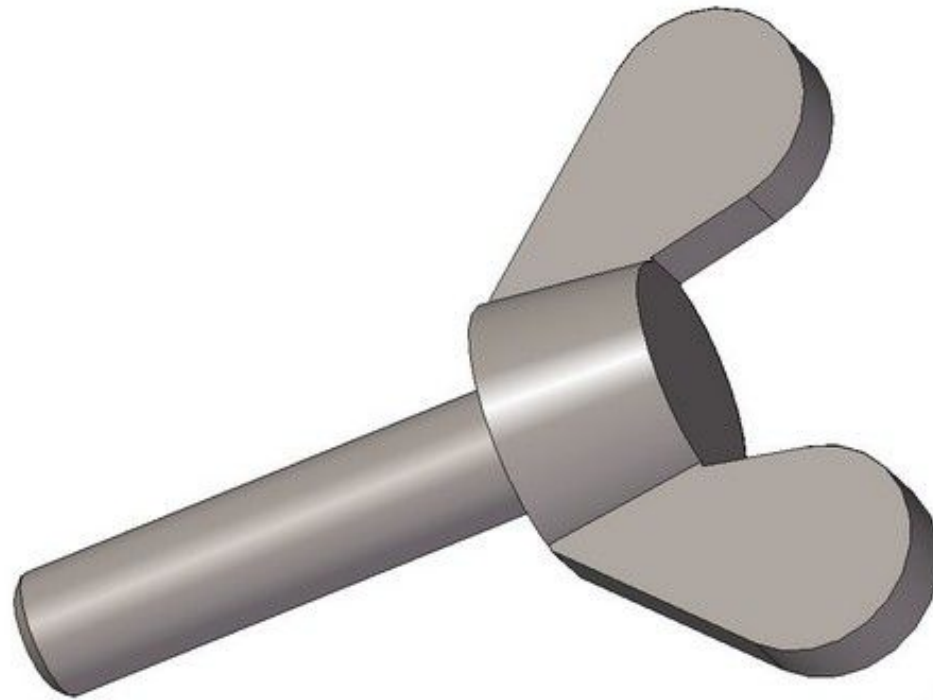
3. Shoe





4. Threaded Inserts

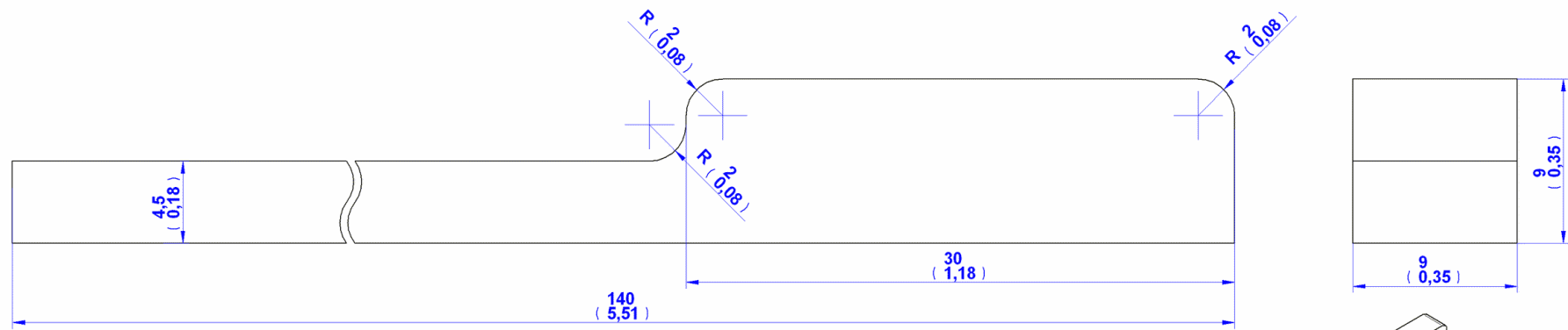




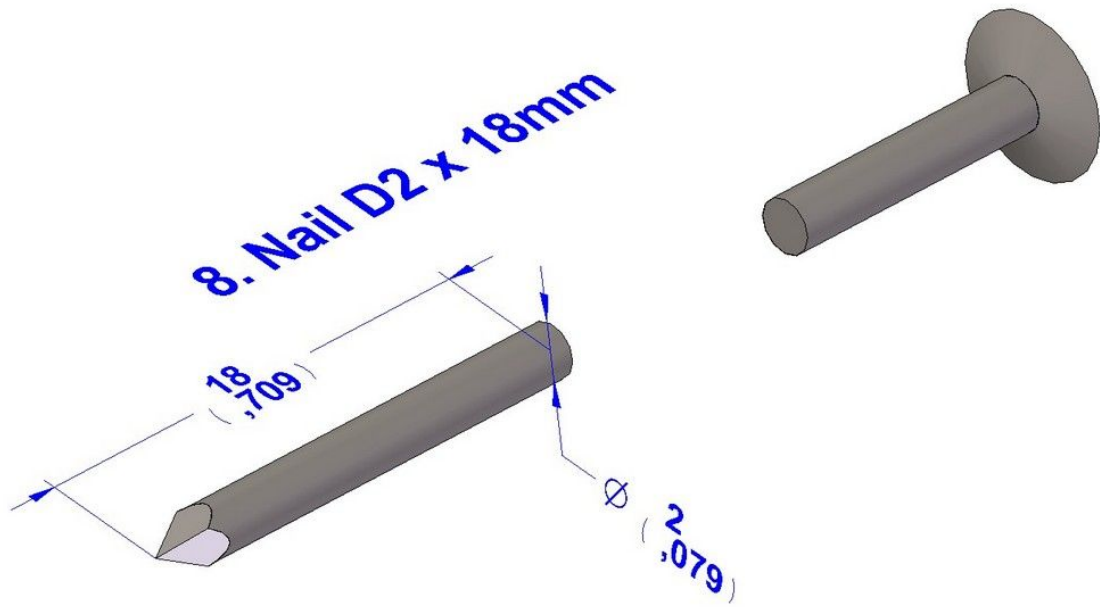
5. Wing Screw M6 x 20mm



6. End Block

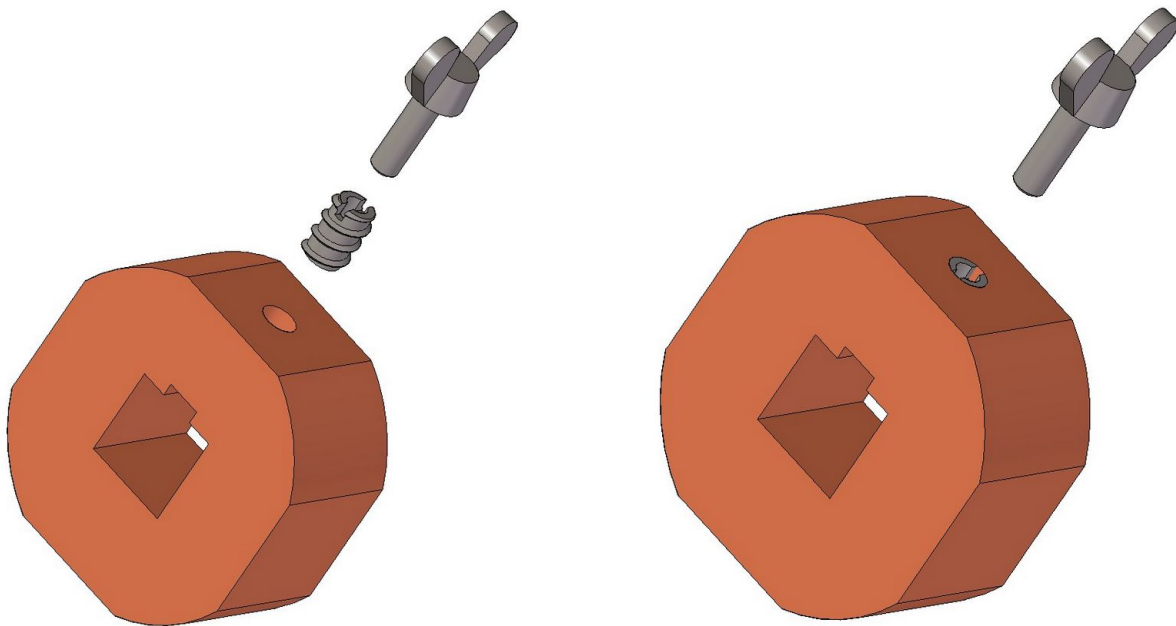


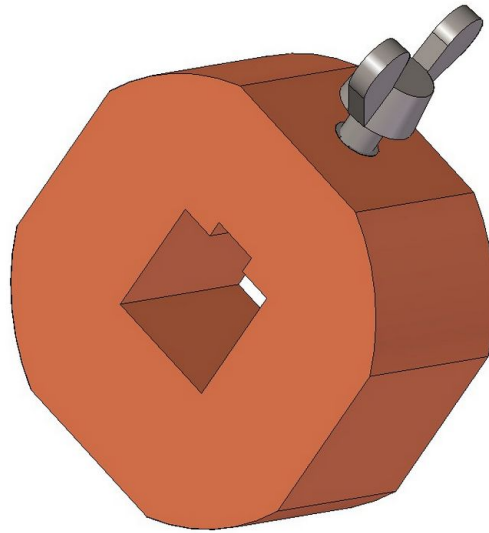
7. Wooden Slider



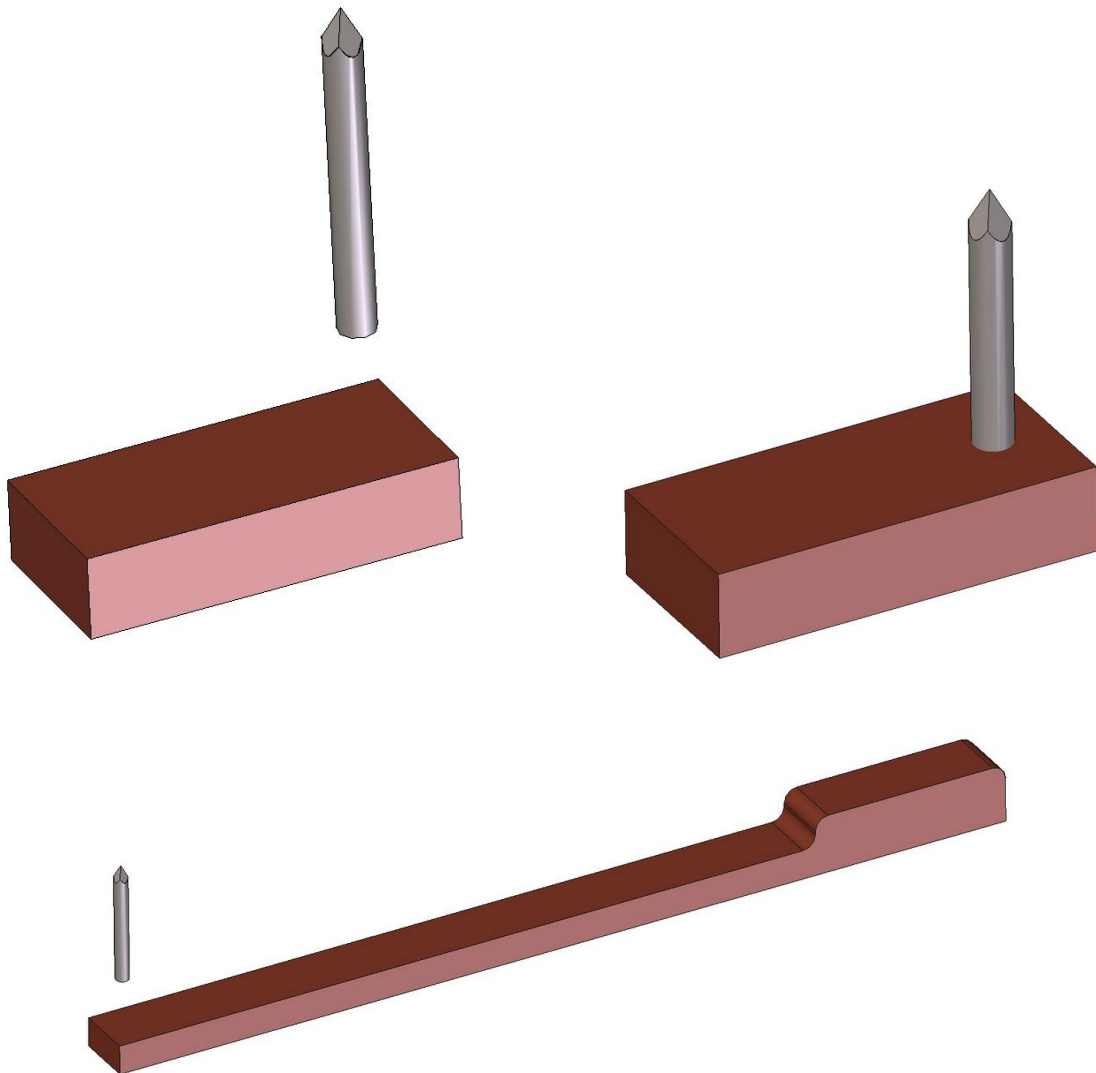
Assemblage images

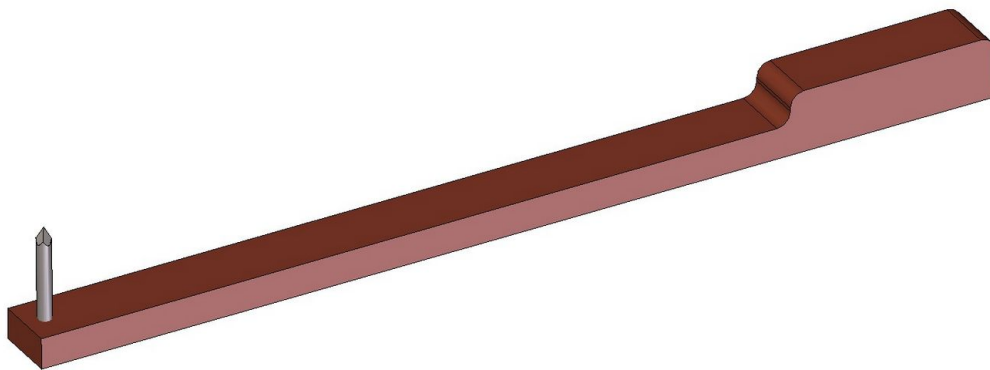
1.



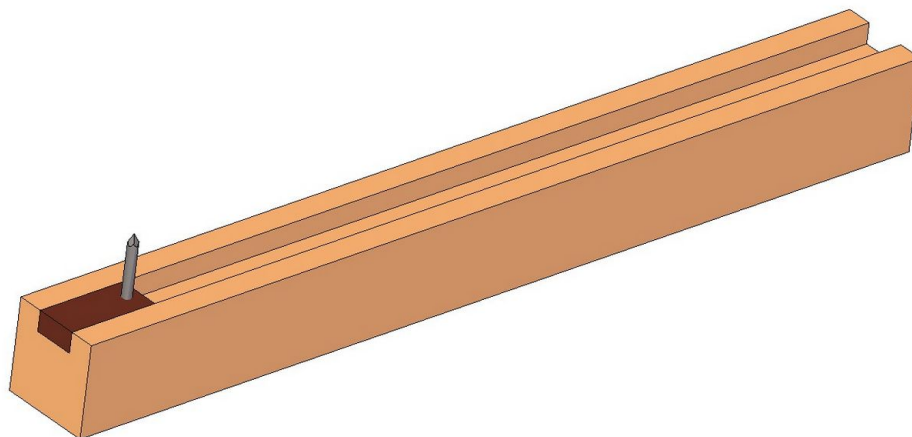
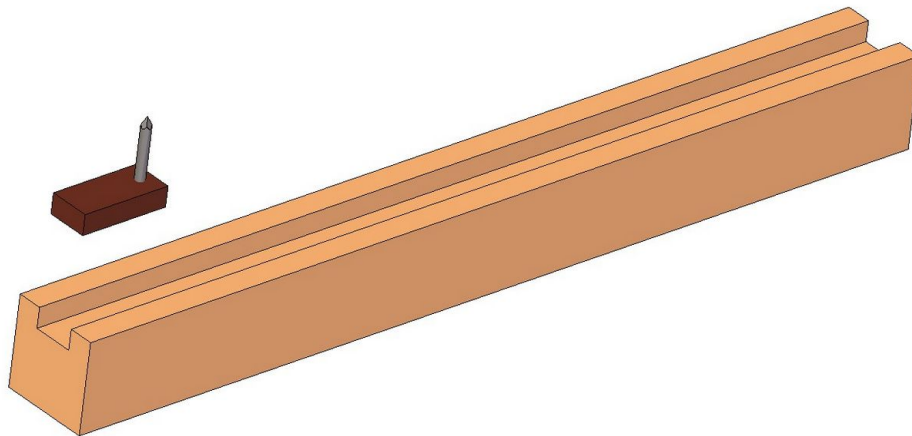


2.

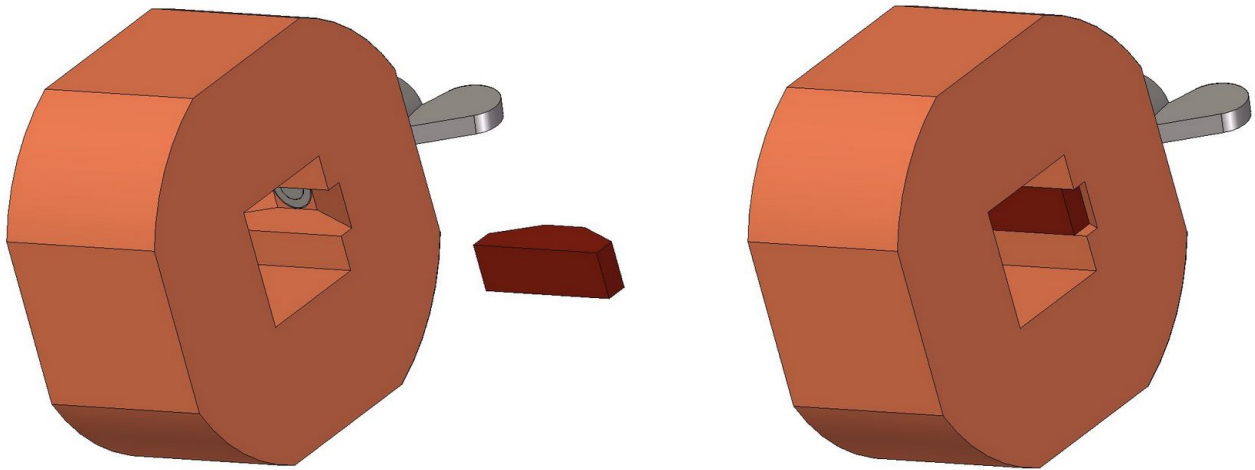




3.



4.



5.

