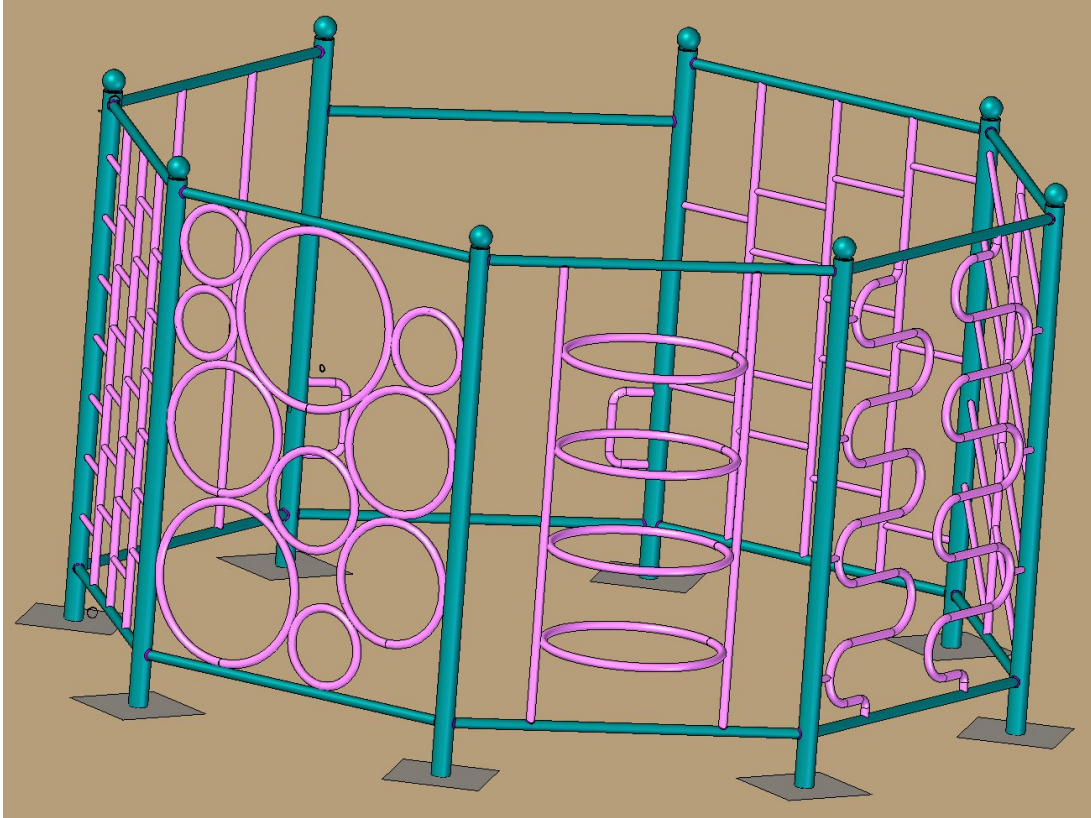


Octagon climber plan



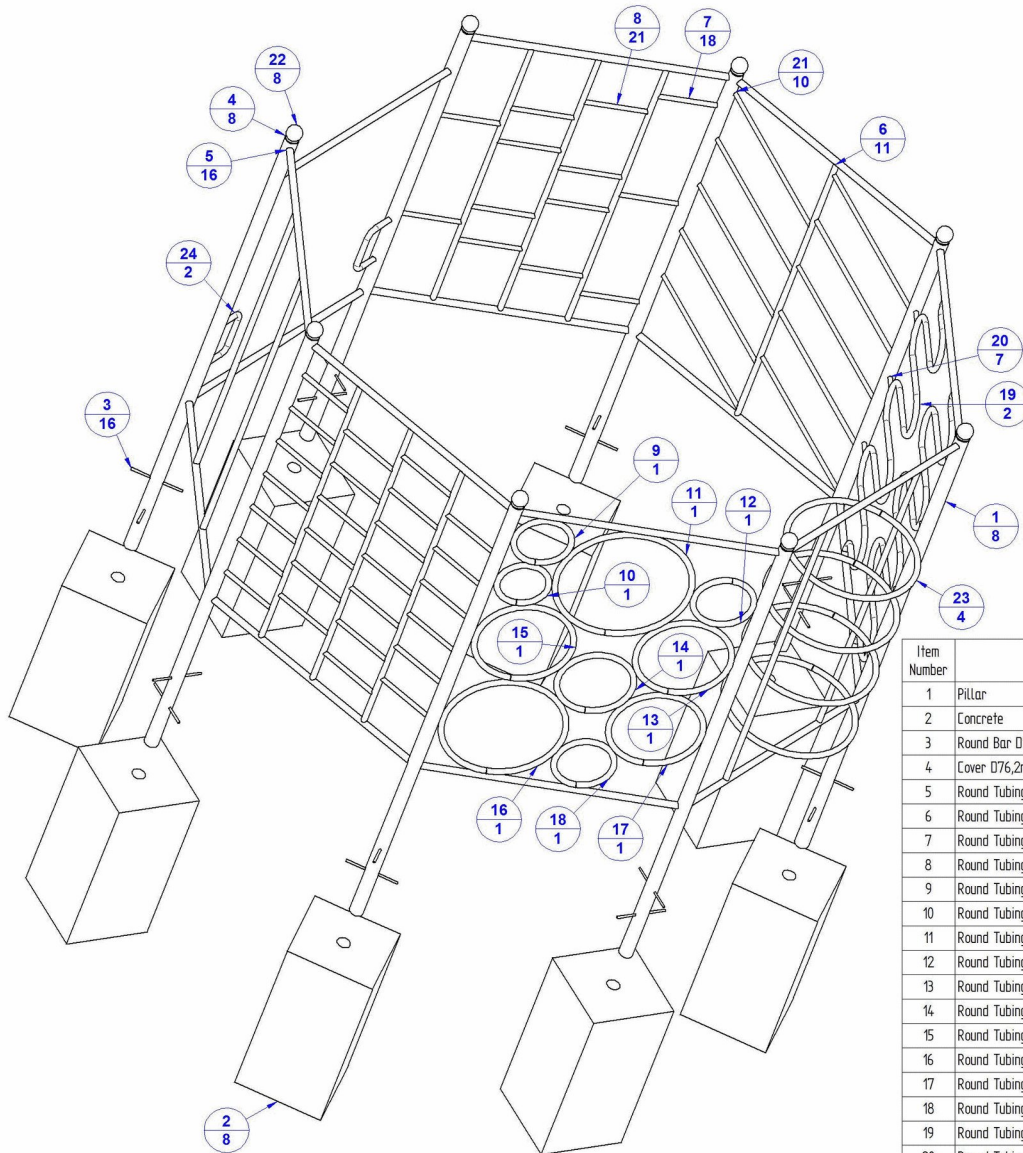
Here is a plan for making octagon climber playground equipment.

The playground climber consists of eight different climbers, each of which offers a different type of climbing to the child. Similarly, you can create a climber with more or fewer climbers, or you can design different types of climber structure. You can arrange all eight climbers in the shape of an octagon (as given in the plan), or group them on the playground in other ways: in a row/square, in twos, etc.

If you think your own idea is not good enough, there is always a large number of images of playground equipment on the Internet to help you. Choose some structure that seems to provide an interesting way of climbing, and feel free to apply it to your project. Eventually, your kids will be happy!

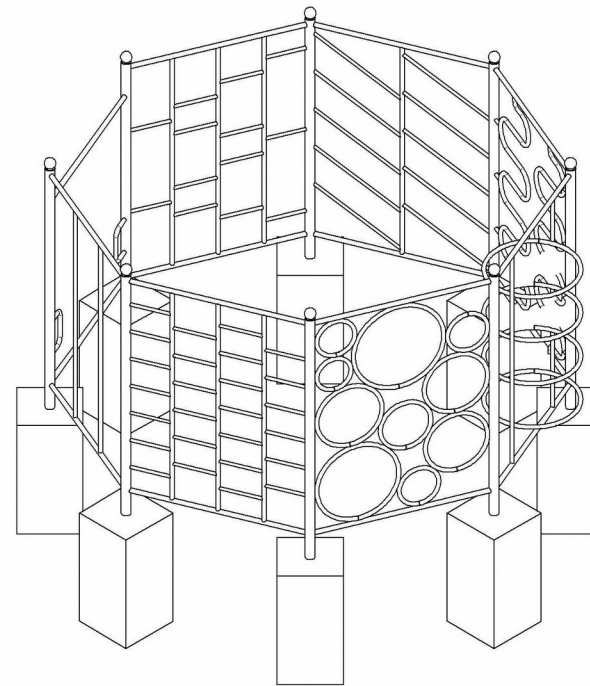
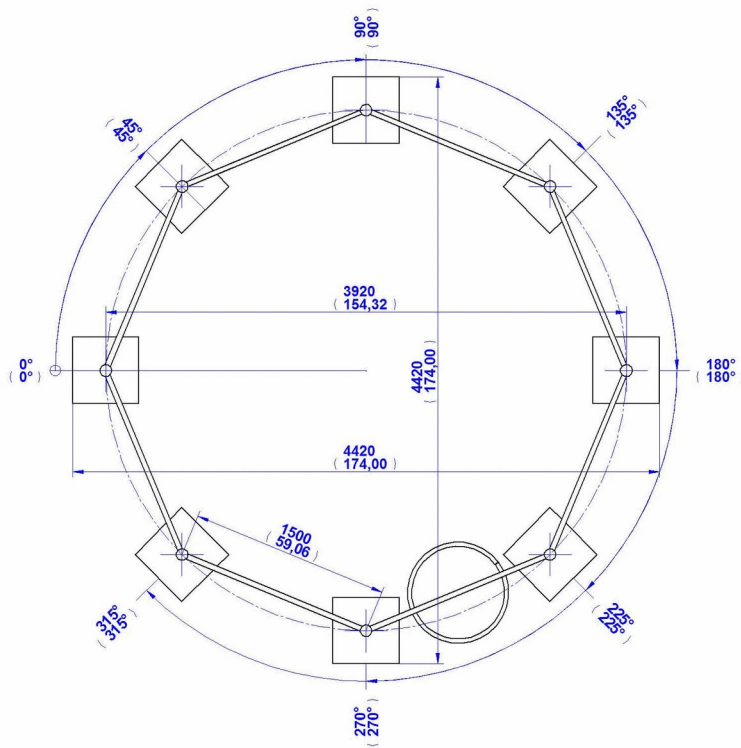
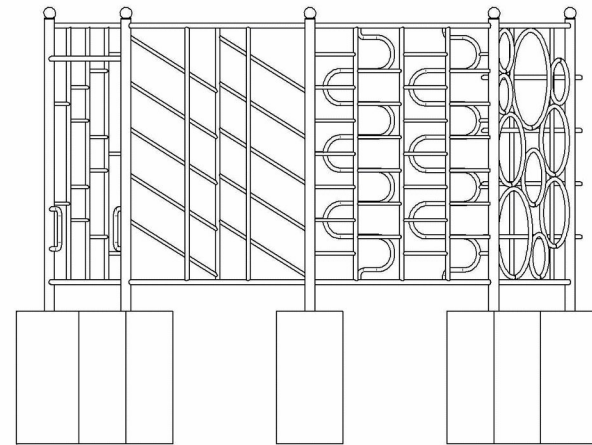
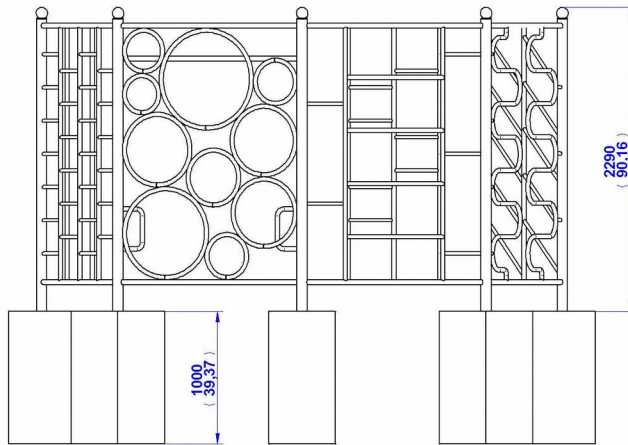
All parts are made of metal pipes that are welded together. The building of this climber is not recommended to amateurs, because it takes a lot of time, requires experience and lots of material. It is preferable to install the climber in a shady place, using an in-ground mount system. When installing, make sure there is a soft surface beneath the climber (soil and grass, at least). If you let small children play, you had better keep an eye on them; as to the bigger ones, do not forget to warn them to be particularly cautious when being on the playground. However, try not to be overly protective and avoid becoming a spoilsport! Accidents can always happen on any playground, but sometimes spoiling others' pleasure can be equally bad.

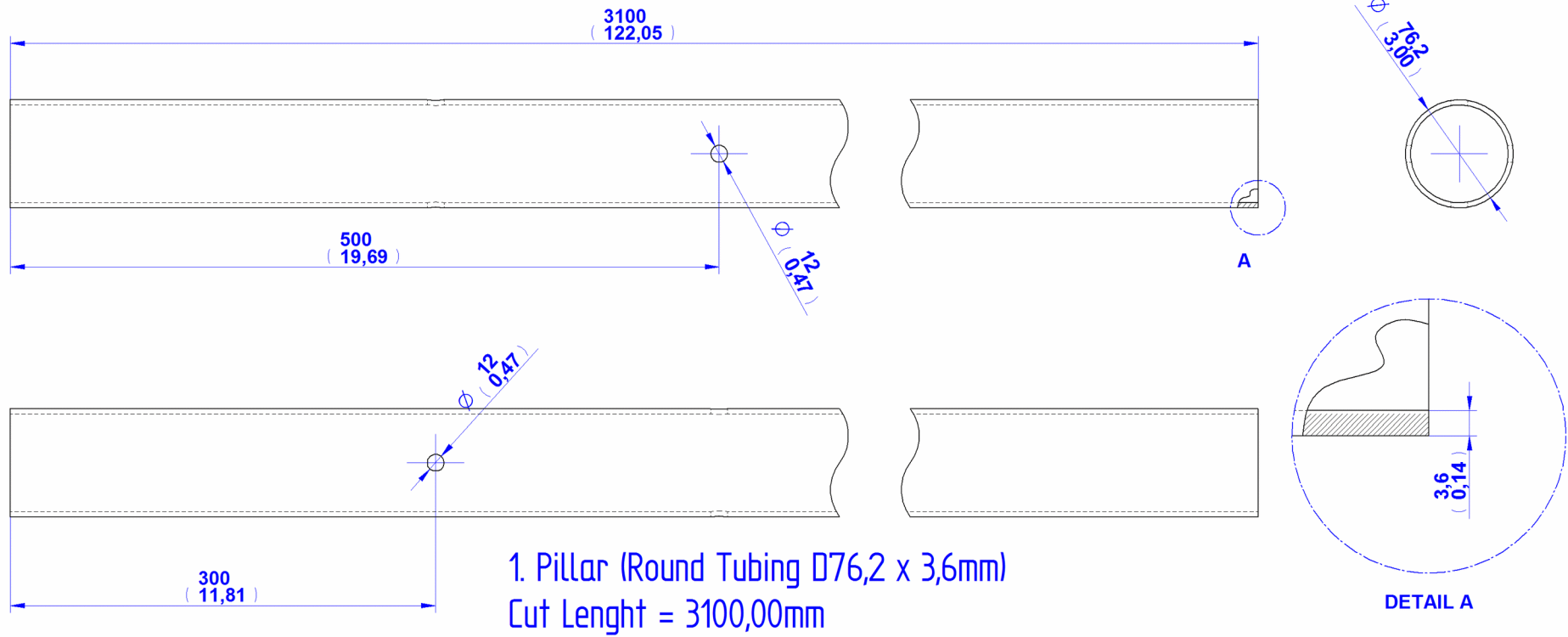
Assembly parts list

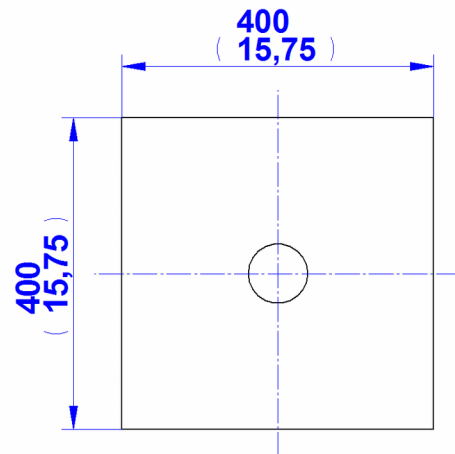
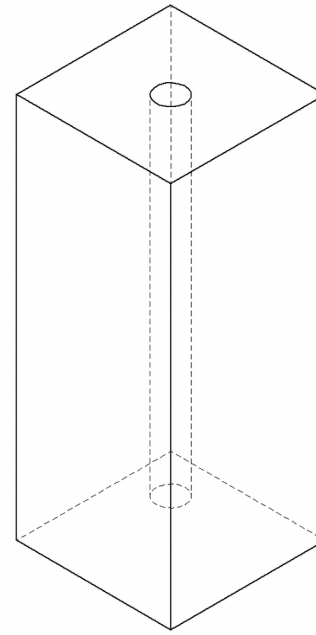
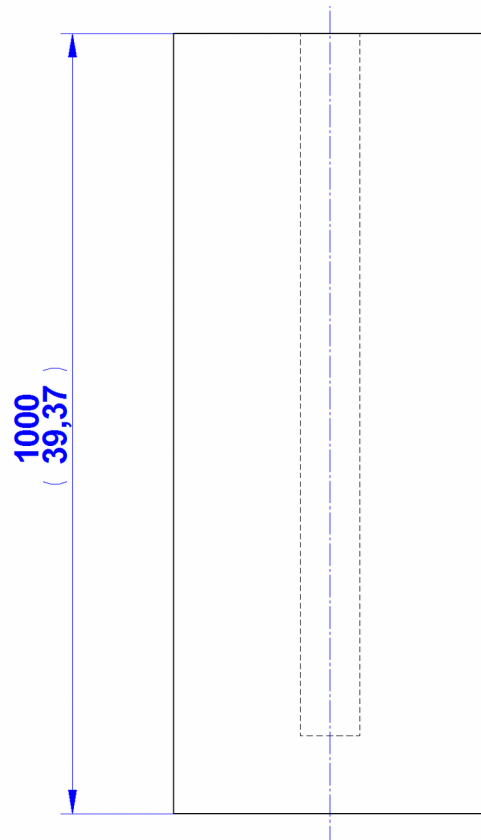


Item Number	Title	Material	Quantity	Cut Length
1	Pillar	Steel	8	3100,00mm
2	Concrete	concrete	8	
3	Round Bar D12x300mm	Steel	16	
4	Cover D76,2mm	Steel	8	
5	Round Tubing D38x3,6mm	Steel	16	1500,00mm
6	Round Tubing D31,8 x 3,2mm	Steel	11	1931,00mm
7	Round Tubing D25,4x3,2mm	Steel	18	375,00mm
8	Round Tubing D25,4 x 3,2mm Middle	Steel	21	375,00mm
9	Round Tubing D31,8 x 3,2mm	Steel	1	970,00mm
10	Round Tubing D31,8 x 3,2mm	Steel	1	875,00mm
11	Round Tubing D31,8 x 3,2mm	Steel	1	2309,00mm
12	Round Tubing D31,8 x 3,2mm	Steel	1	1023,00mm
13	Round Tubing D31,8 x 3,2mm	Steel	1	1619,00mm
14	Round Tubing D31,8 x 3,2mm	Steel	1	1294,00mm
15	Round Tubing D31,8 x 3,2mm	Steel	1	1669,00mm
16	Round Tubing D31,8 x 3,2mm	Steel	1	2098,00mm
17	Round Tubing D31,8 x 3,2mm	Steel	1	1593,00mm
18	Round Tubing D31,8 x 3,2mm	Steel	1	1014,00mm
19	Round Tubing D31,8 x 3,2mm	Steel	2	2498,00mm
20	Round Tubing D25,4 x 3,2mm	Steel	7	127,00mm
21	Round Tubing D25,4 x 3,2mm	Steel	10	750,00mm
22	Sphere	Steel	8	
23	Round Tubing D31,8 x 3,2mm	Steel	4	2292,00mm
24	Round Tubing D31,8 x 3,2mm	Steel	2	657,00mm

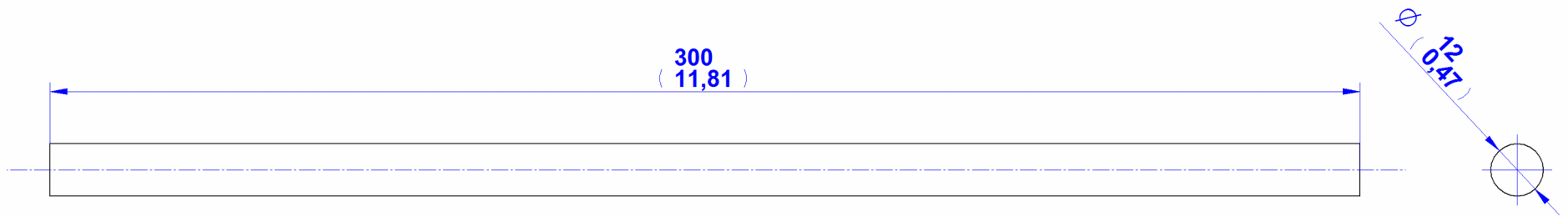
Assembly drawing



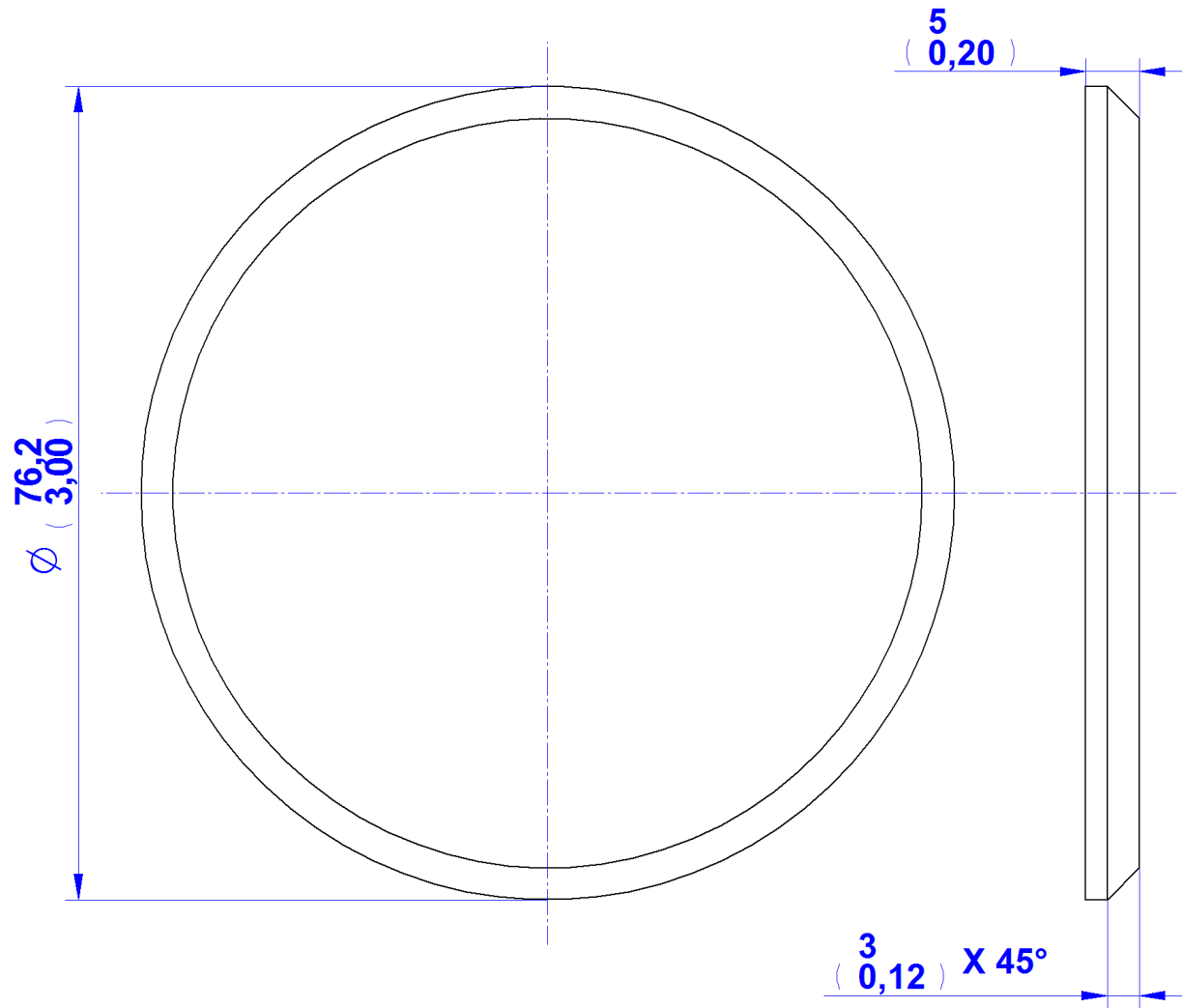




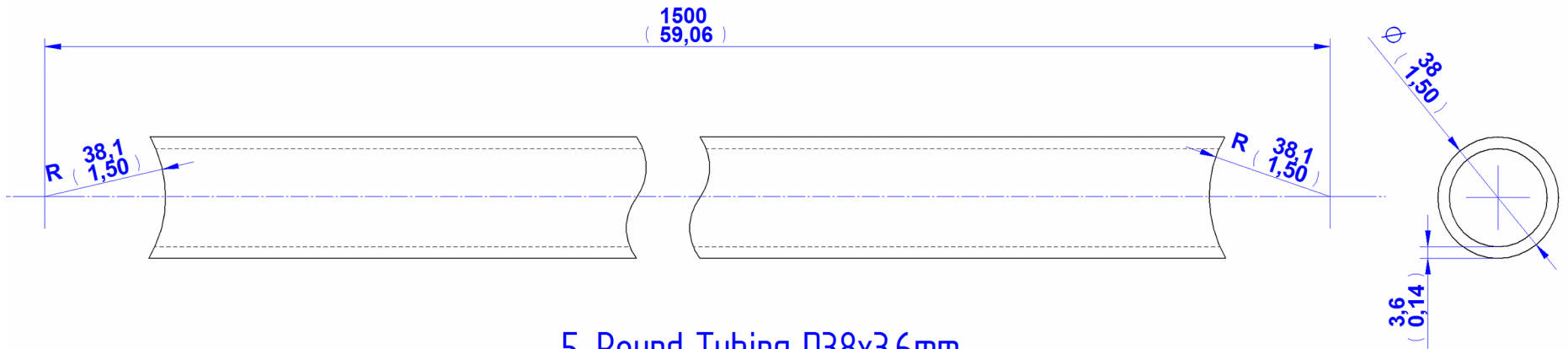
2. Concrete



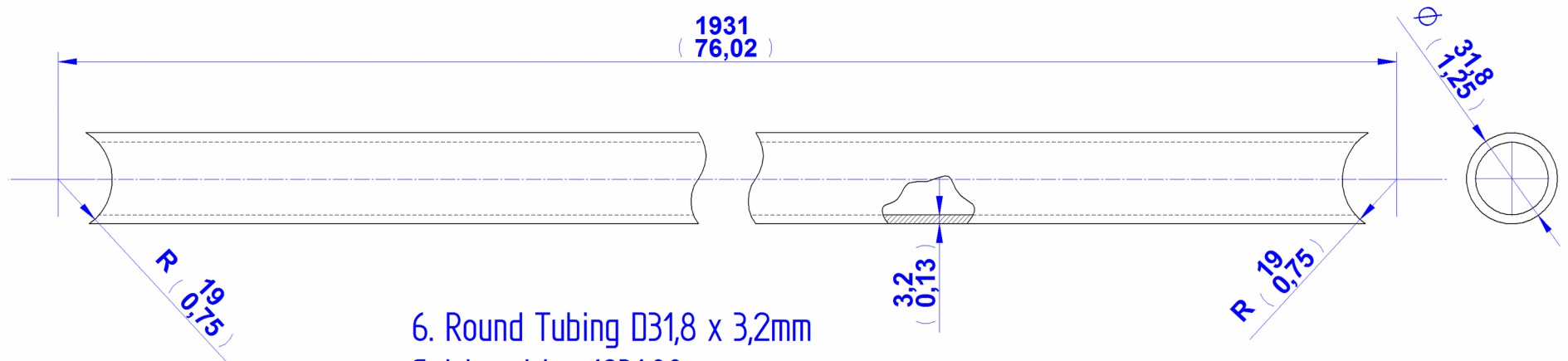
3.Round Bar $\varnothing 12 \times 300\text{mm}$



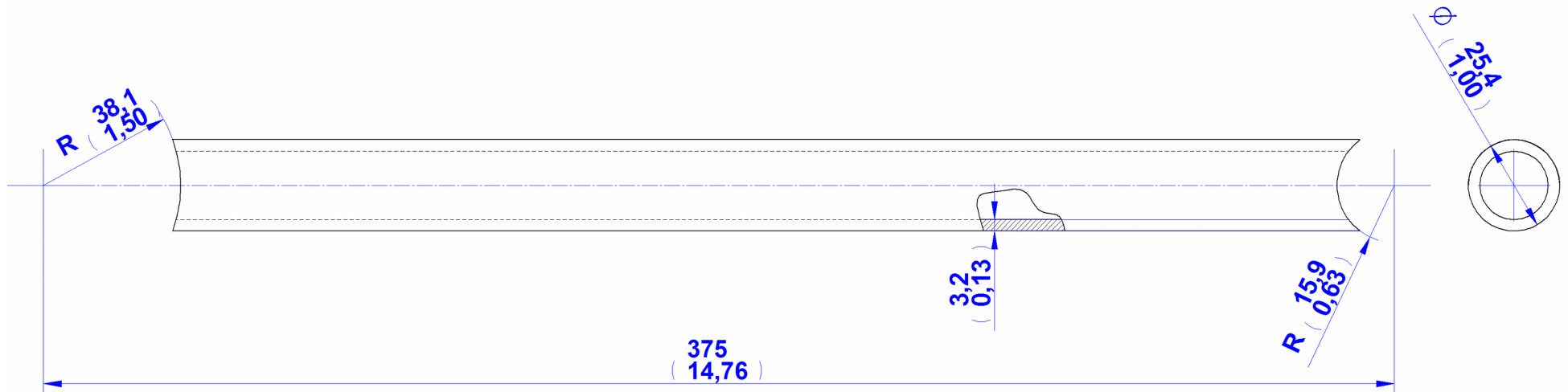
4. Cover $\varnothing 76,2\text{mm}$



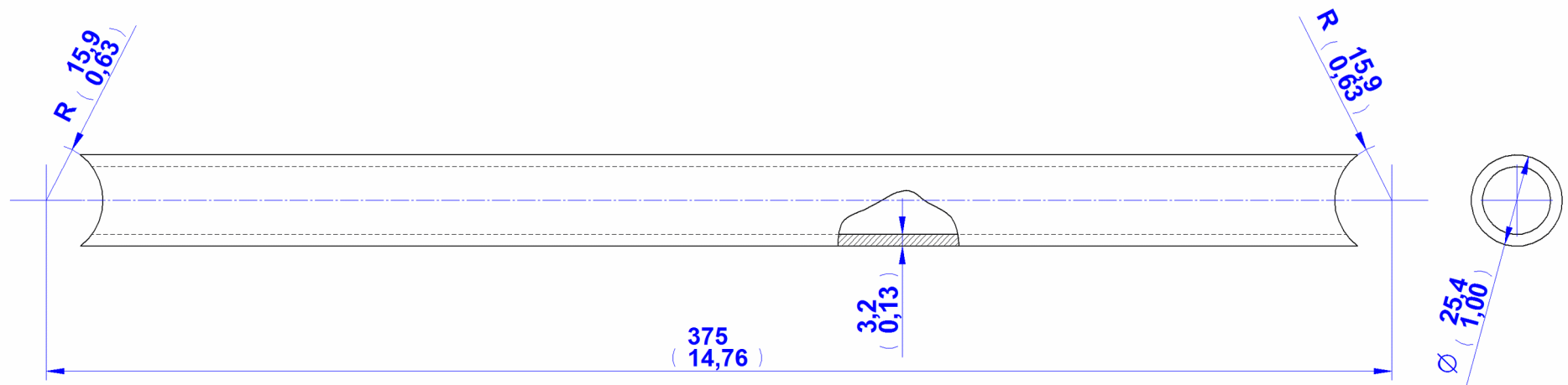
5. Round Tubing D38x3,6mm
Cut Length = 1500,00mm



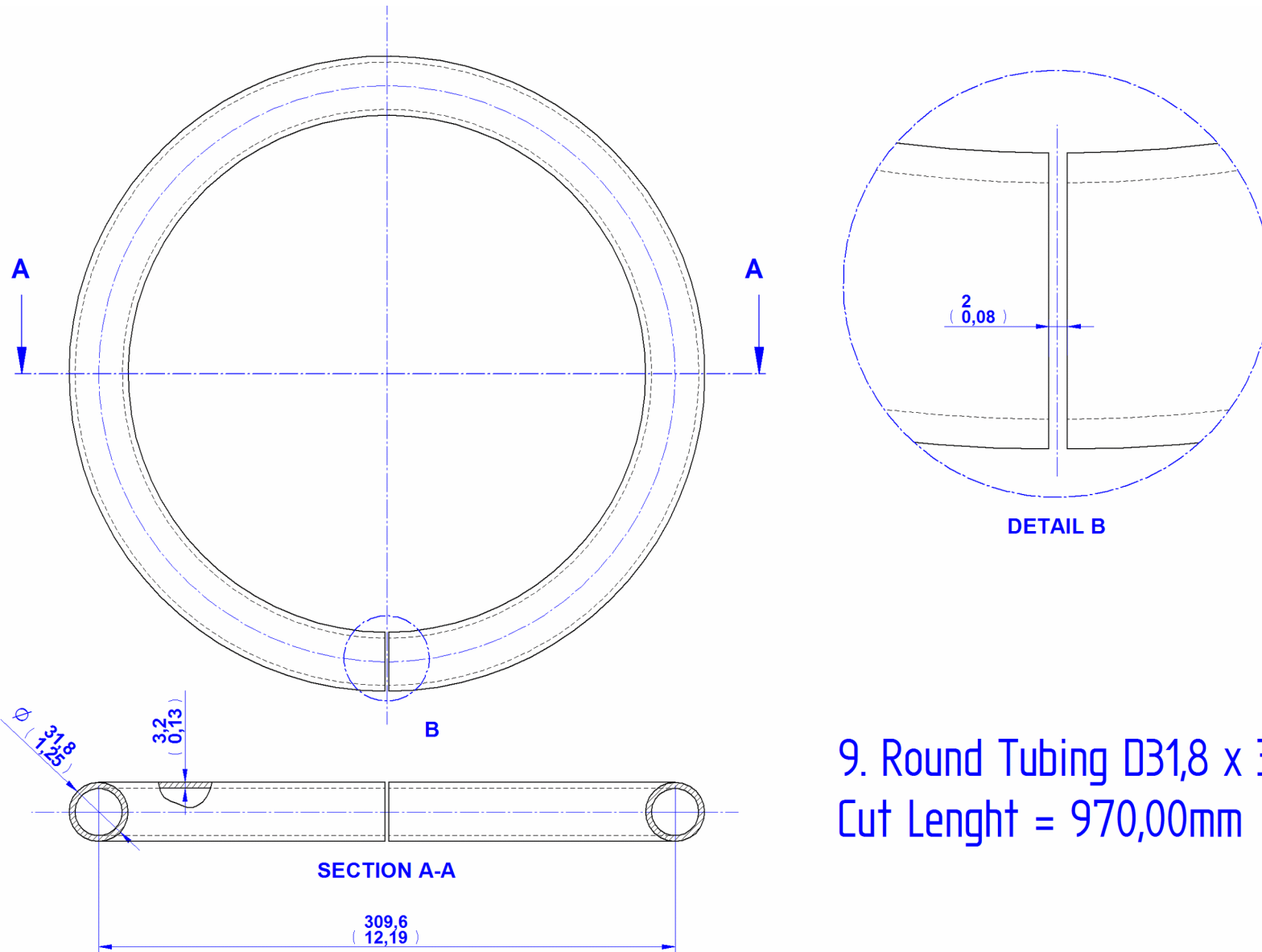
6. Round Tubing D31,8 x 3,2mm
Cut Length = 1931,00mm



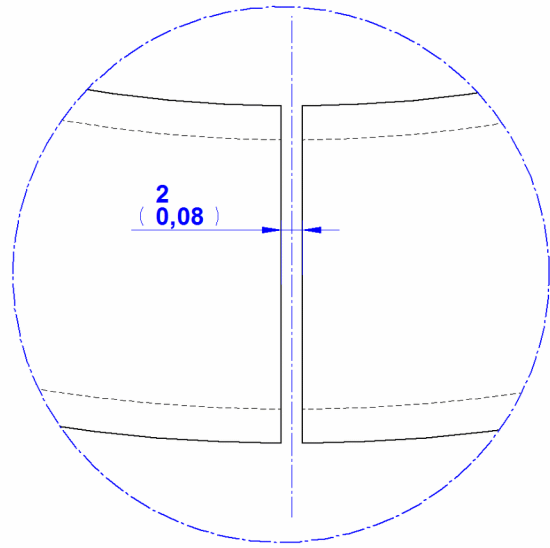
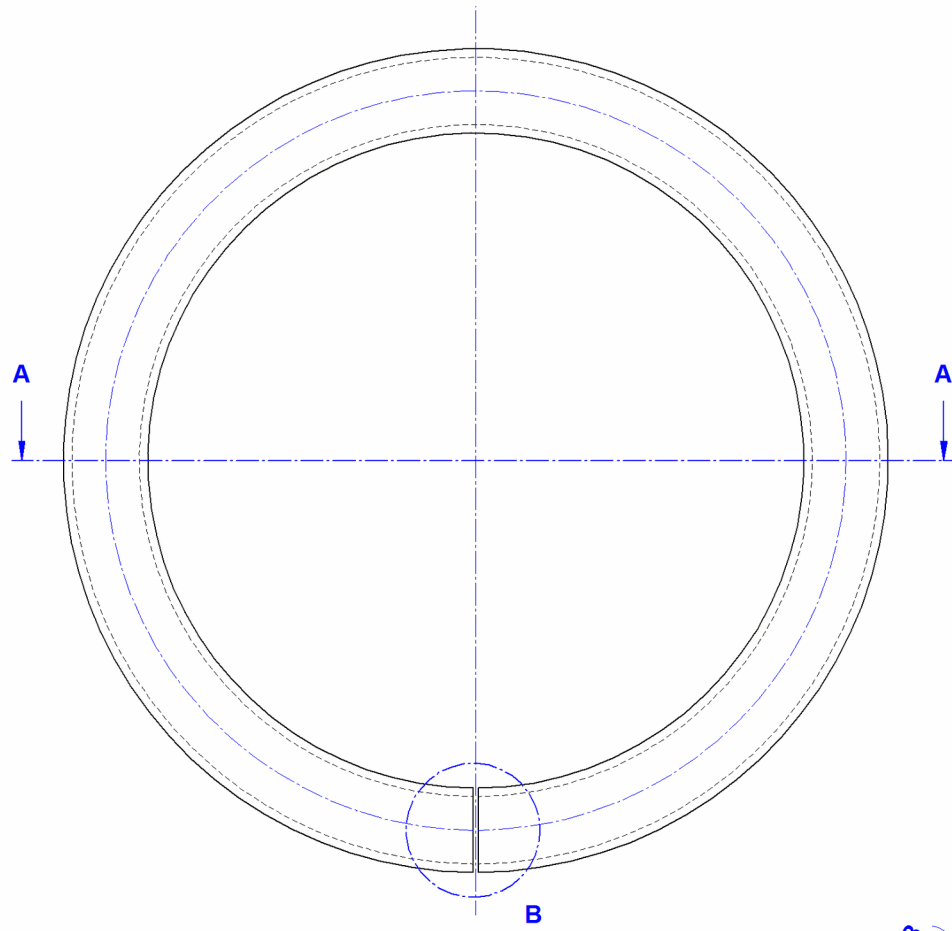
7. Round Tubing $\text{D}25,4 \times 3,2\text{mm}$
Cut Length = 375,00mm



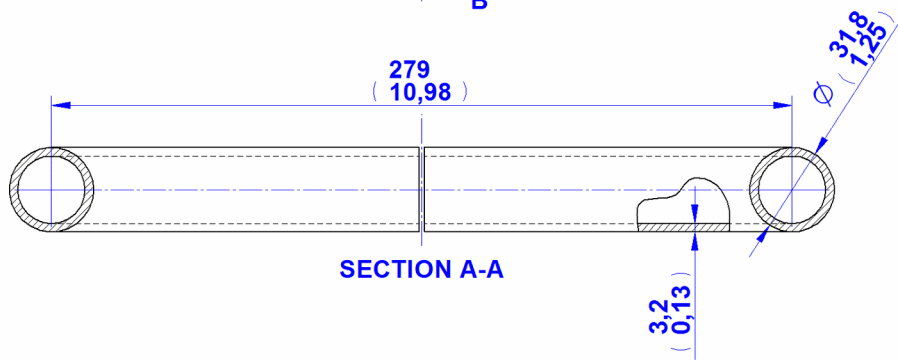
8. Round Tubing D25,4 x 3,2mm Middle
Cut Length = 375,00mm



9. Round Tubing D31,8 x 3,2mm
Cut Length = 970,00mm

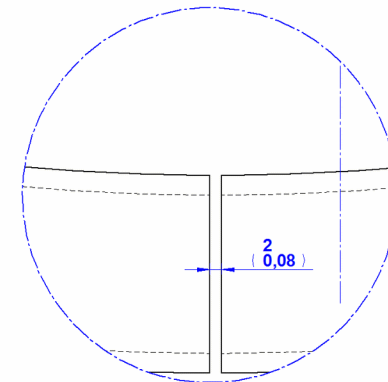
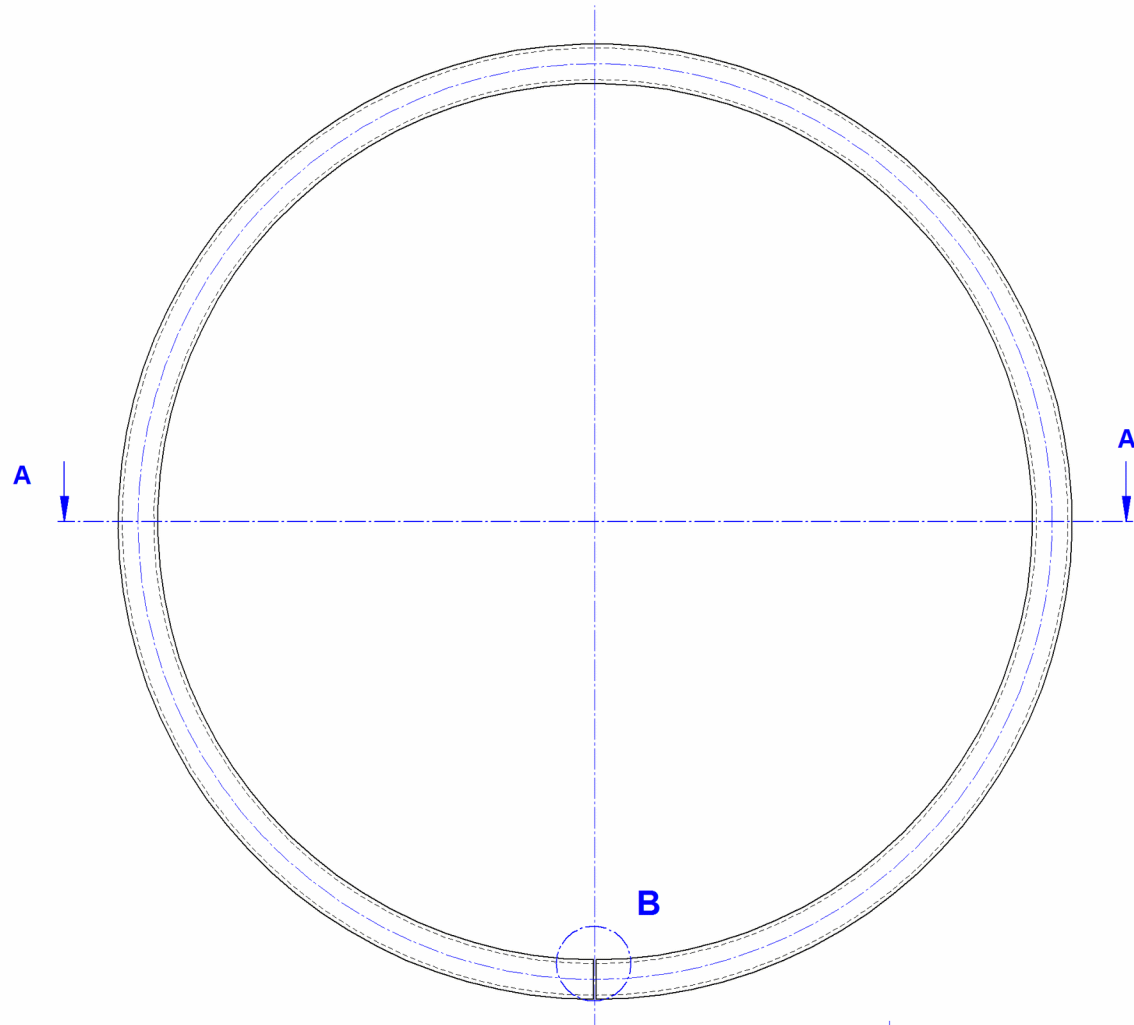


DETAIL B



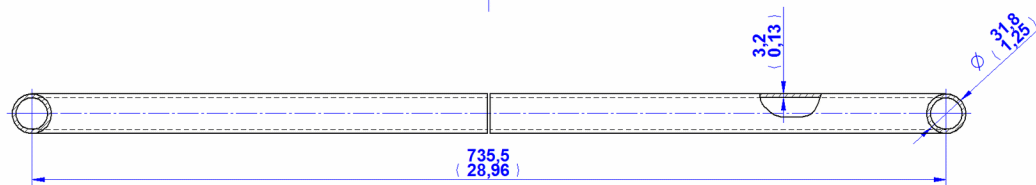
SECTION A-A

10. Round Tubing D31,8 x 3,2mm
Cut Length = 875,00mm

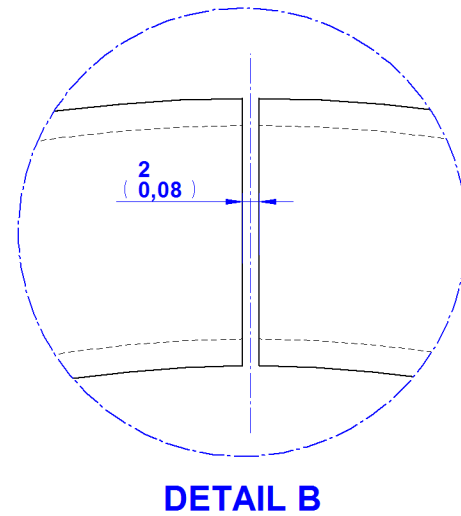
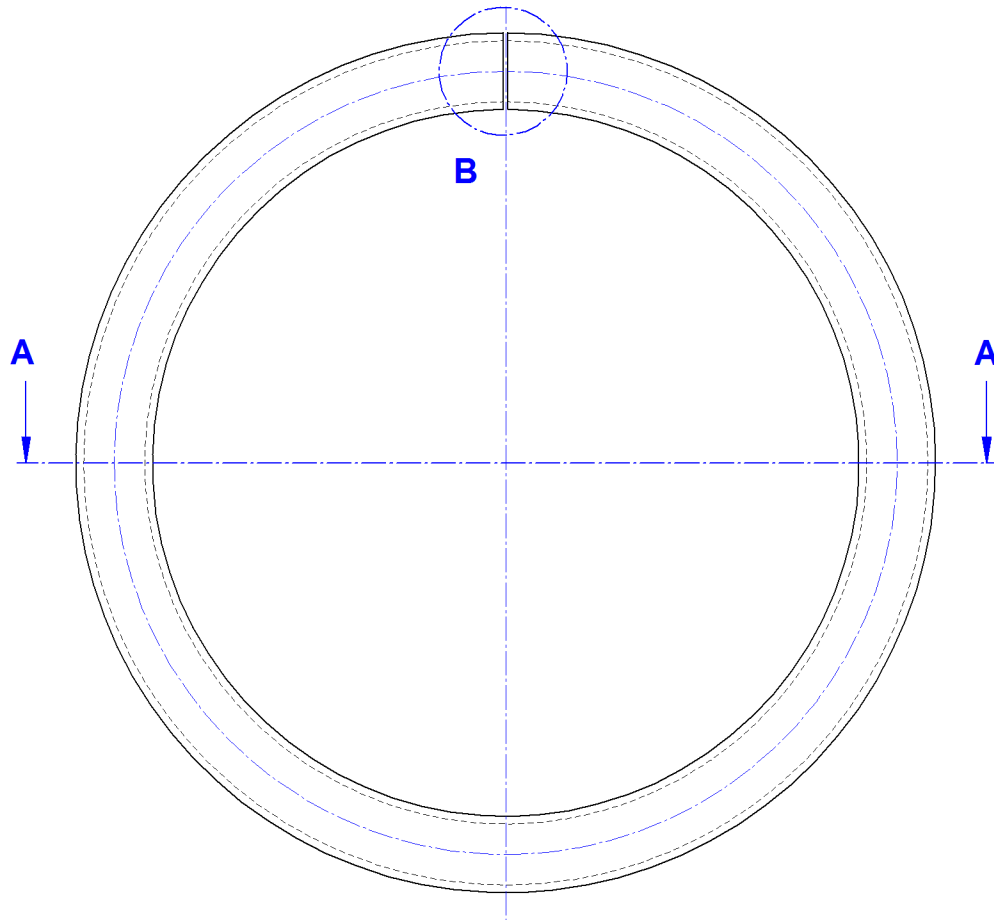


DETAIL B

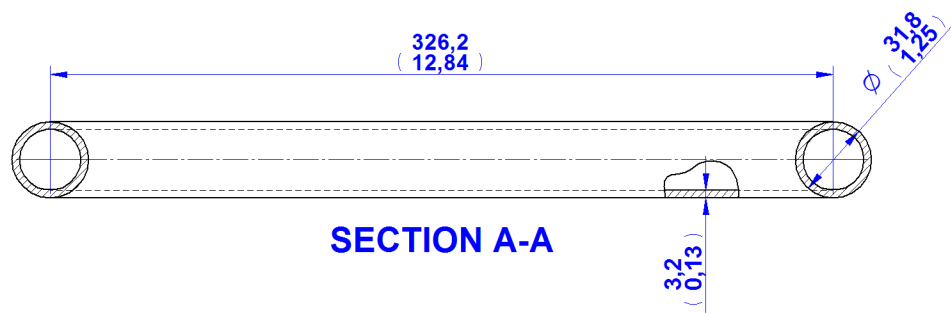
11. Round Tubing D31,8 x 3,2
Cut Length = 2309,00mm

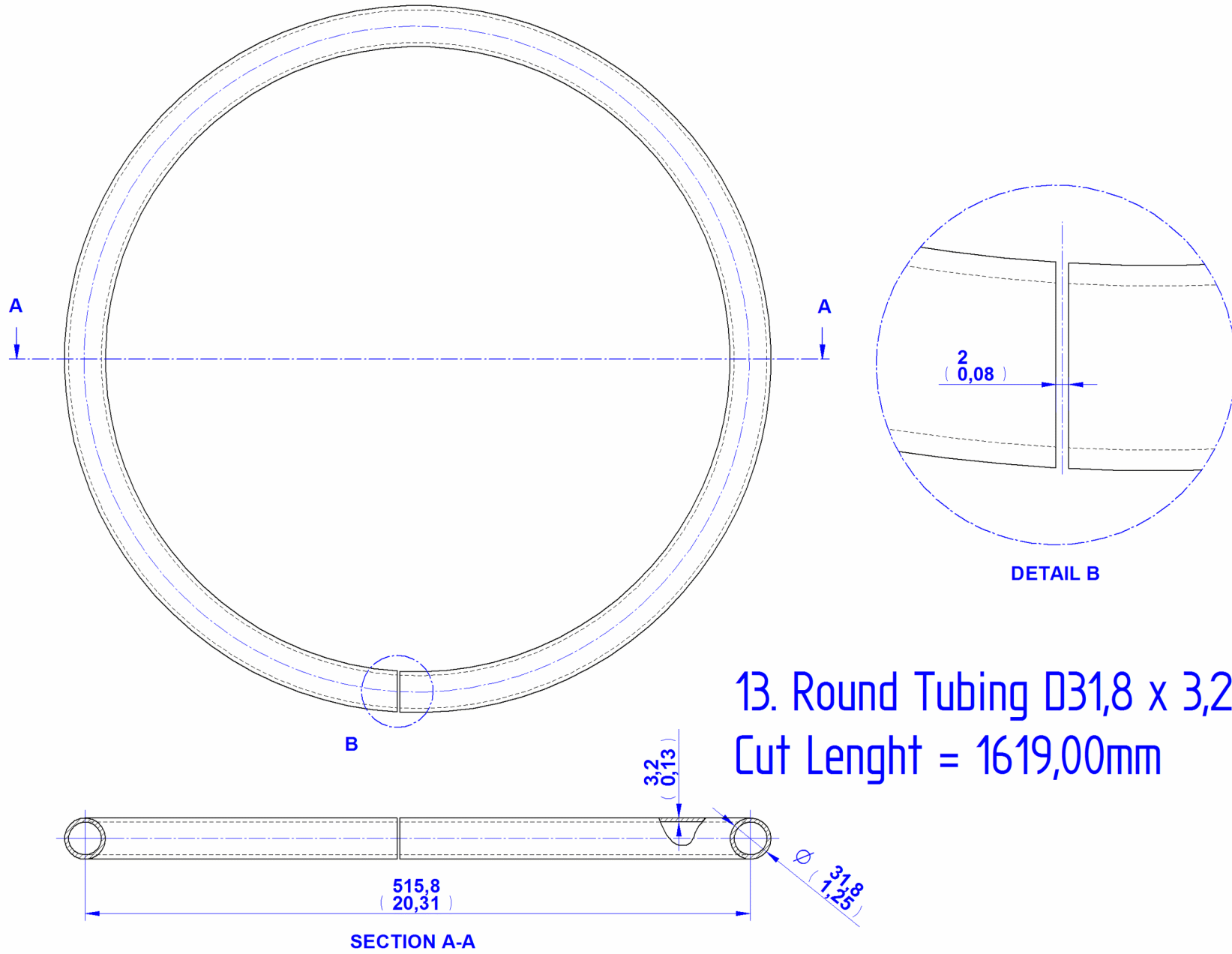


SECTION A-A

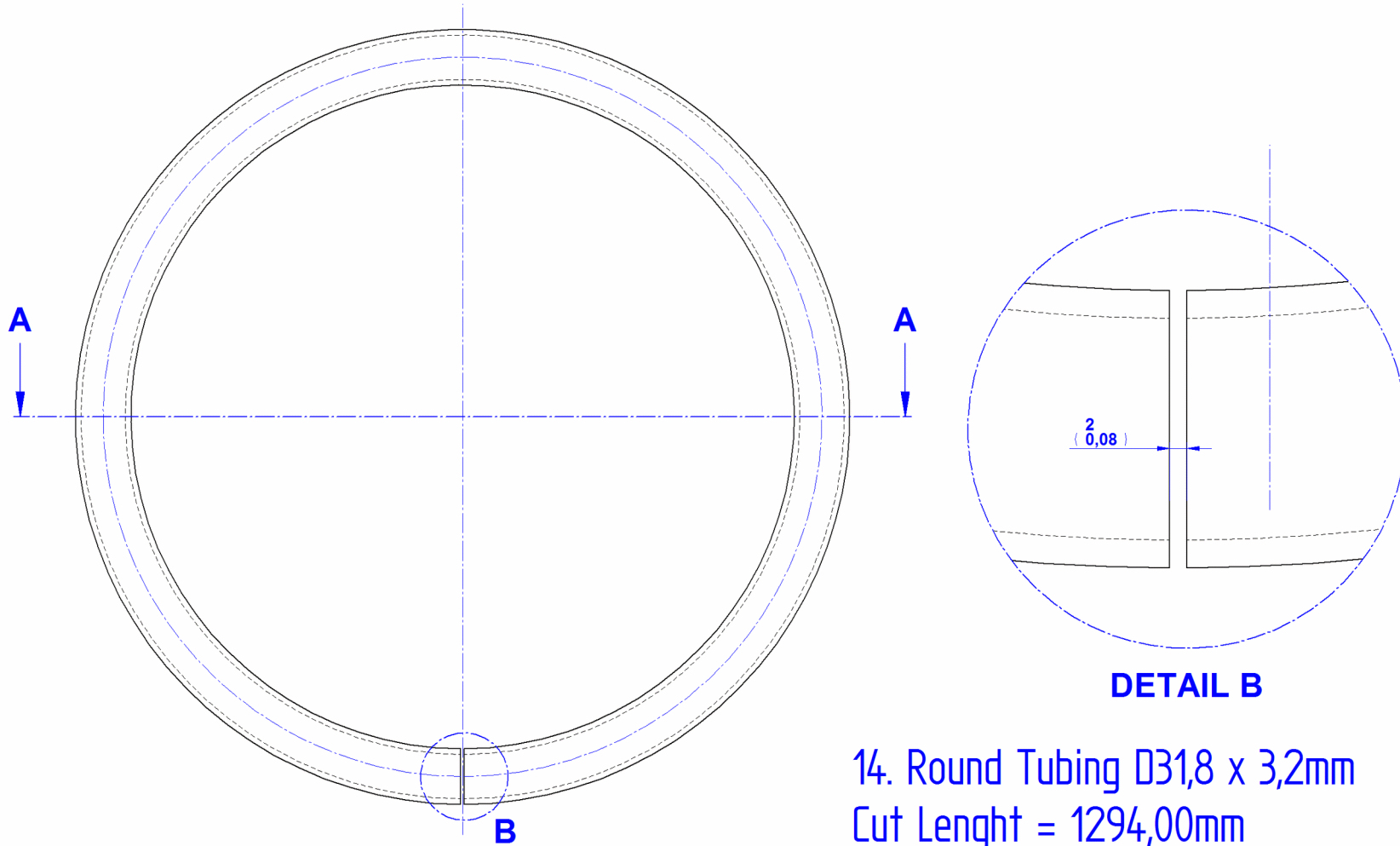


12. Round Tubing 31,8x3,2mm
Cut Length = 1023,00mm

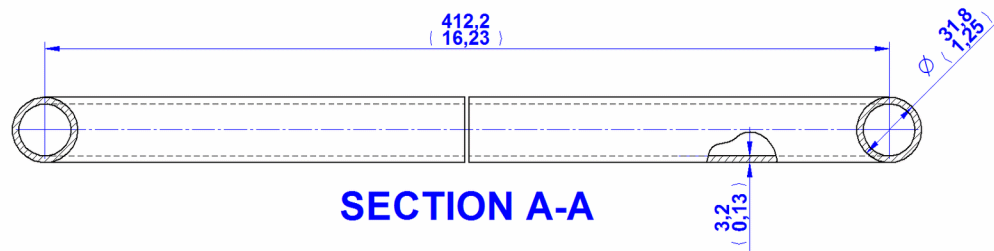




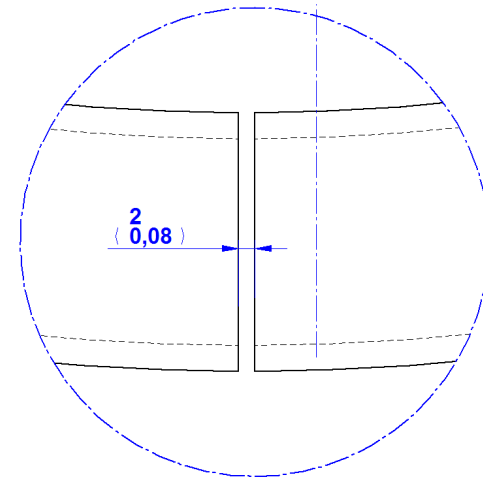
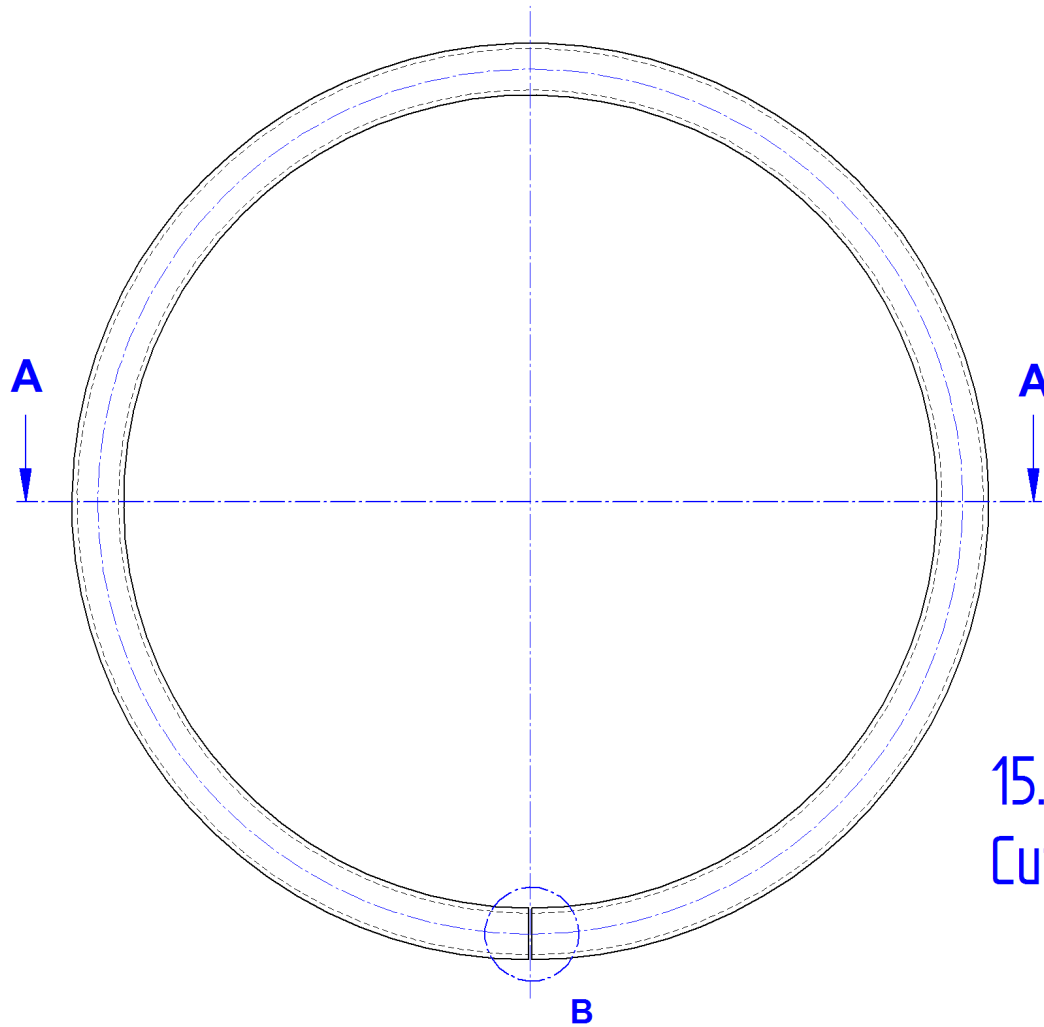
13. Round Tubing $\varnothing 31,8 \times 3,2\text{mm}$
Cut Length = 1619,00mm



14. Round Tubing D31,8 x 3,2mm
Cut Length = 1294,00mm

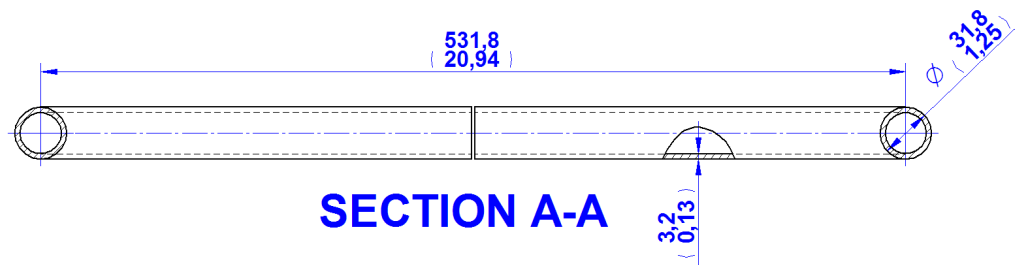


SECTION A-A

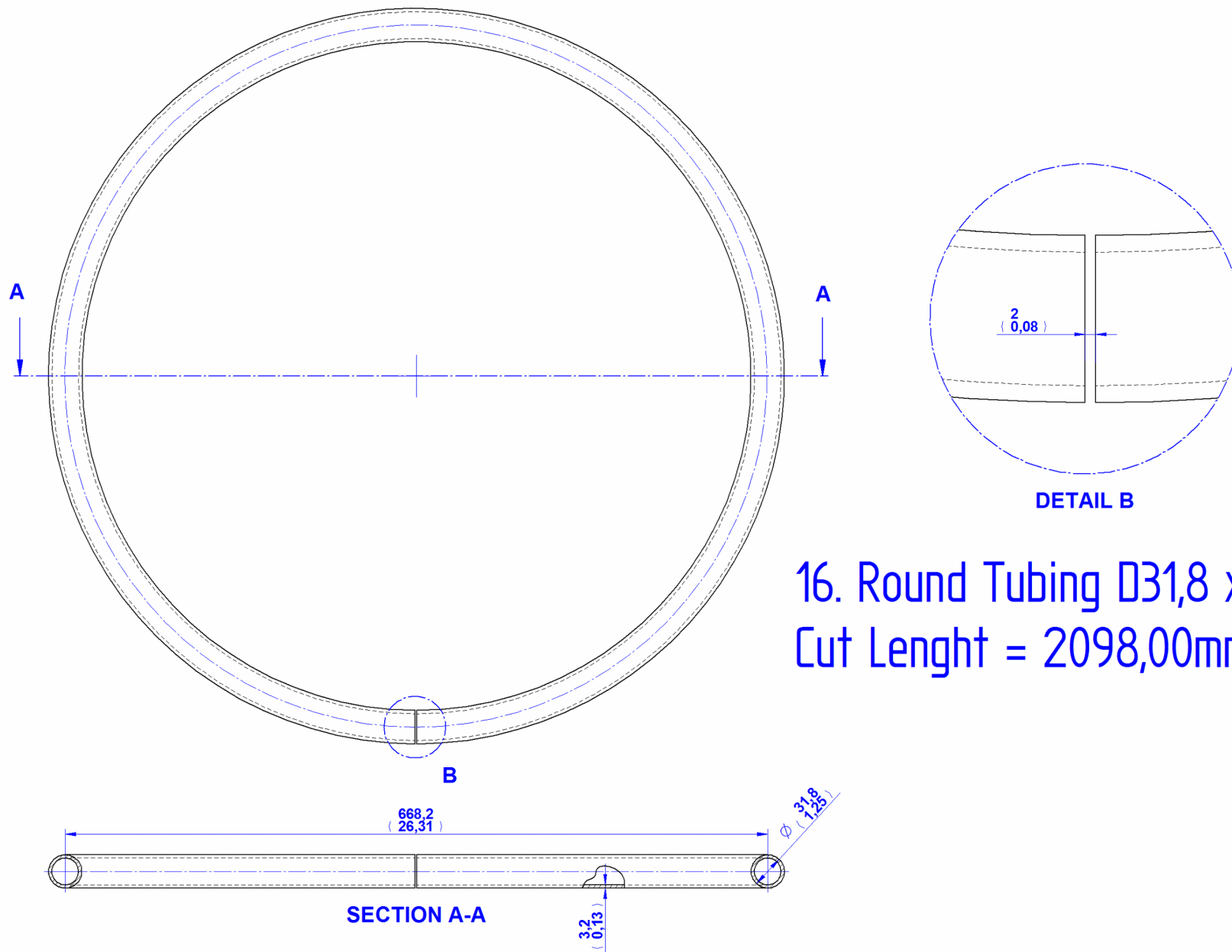


DETAIL B

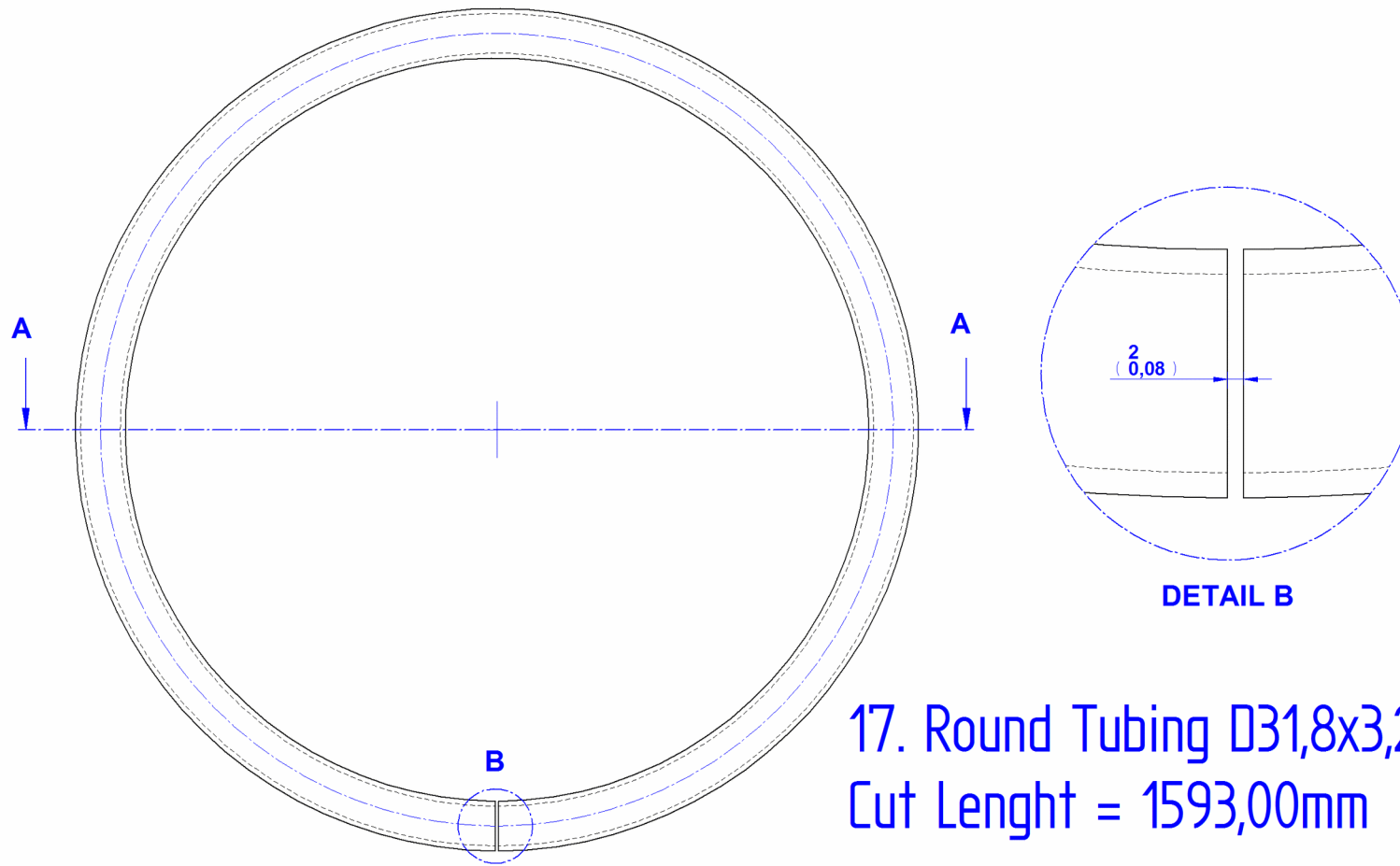
15. Round Tubing $\text{D}31,8 \times 3,2\text{mm}$
Cut Length = 1669,00mm



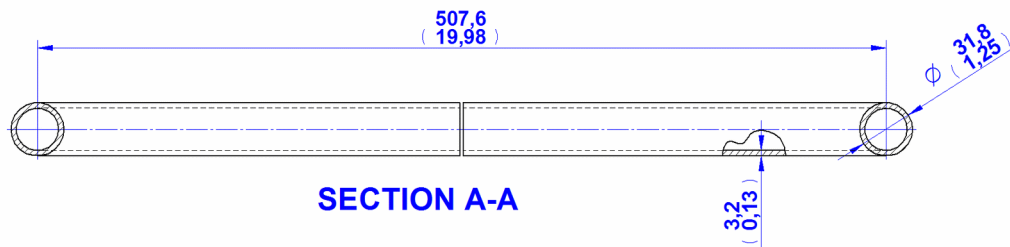
SECTION A-A

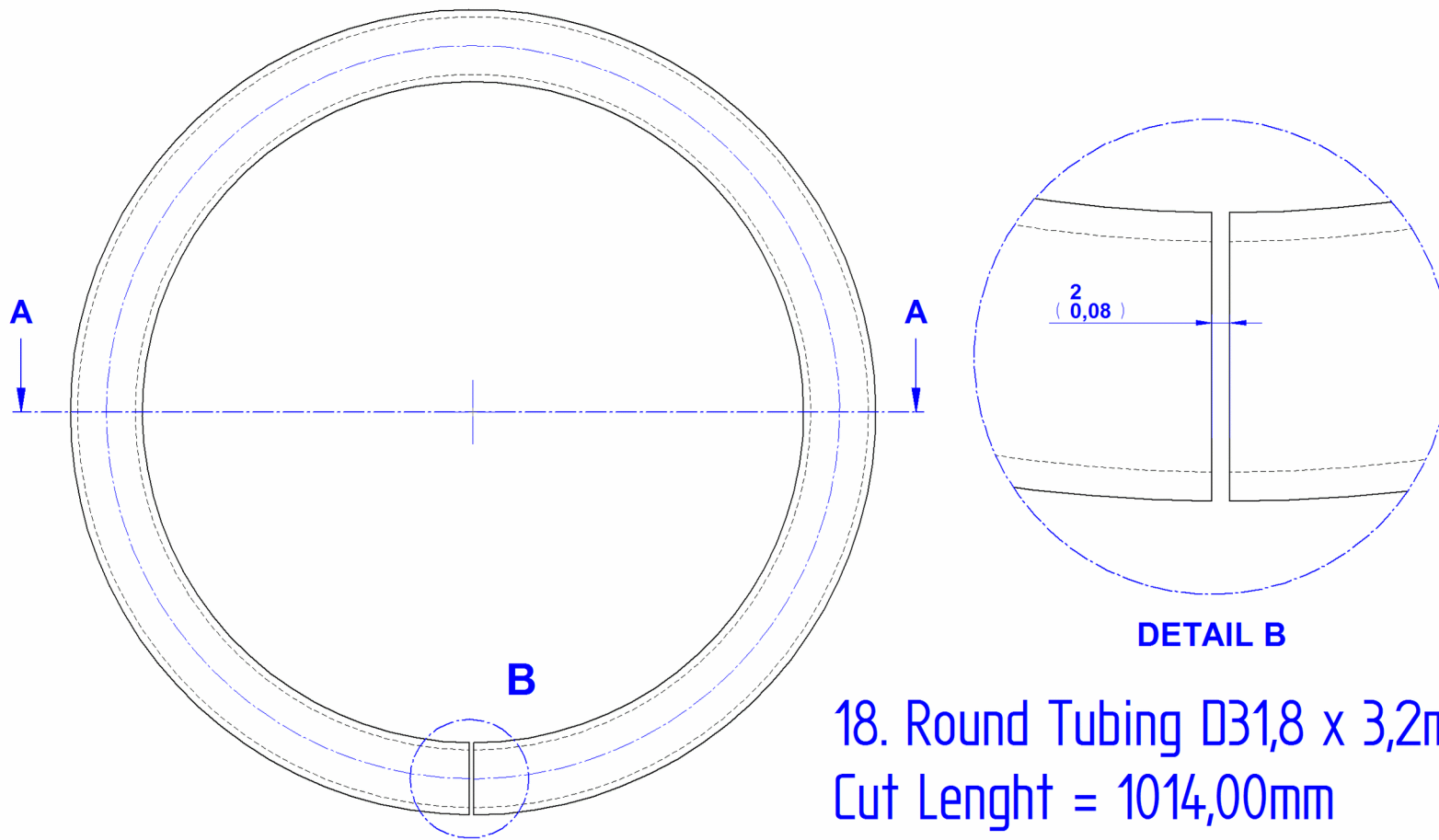


16. Round Tubing $\varnothing 31,8 \times 3,2\text{mm}$
Cut Length = 2098,00mm

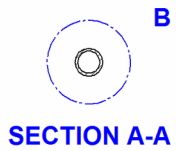
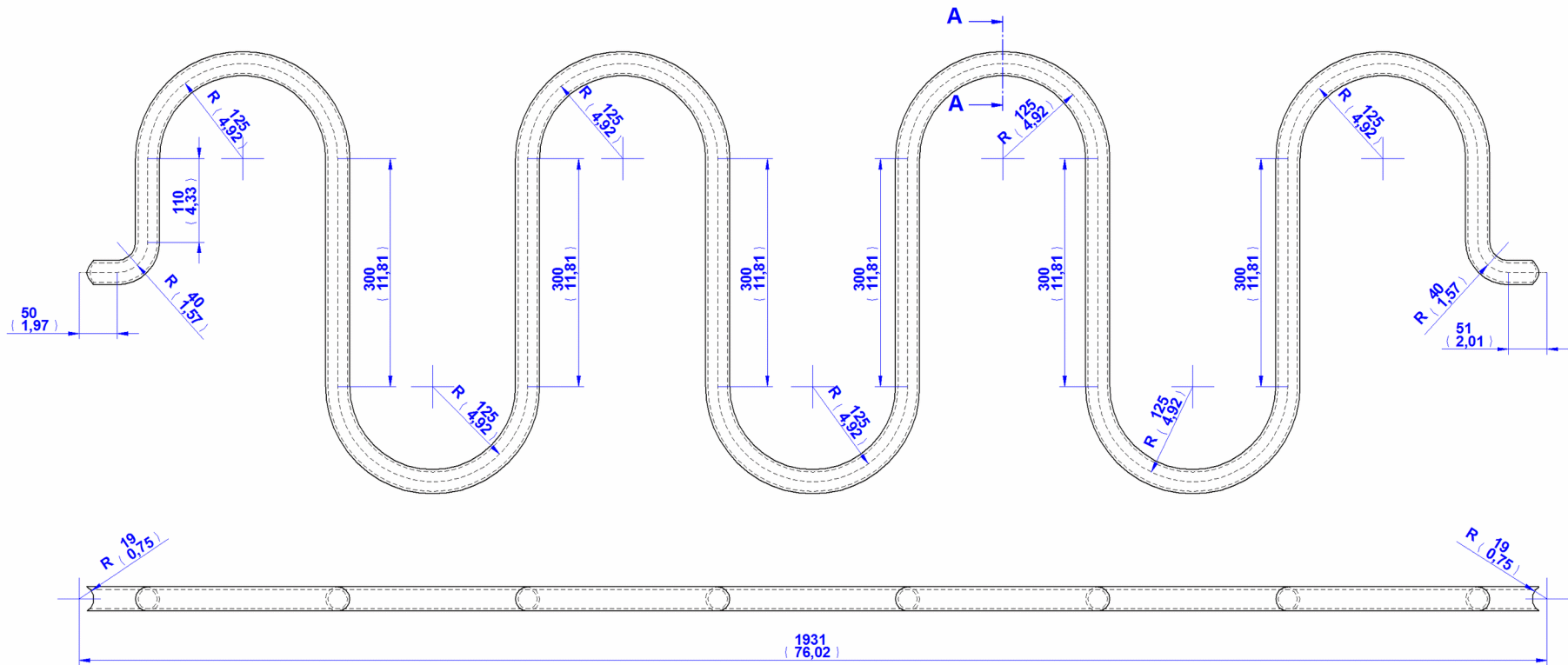


17. Round Tubing D31,8x3,2mm
Cut Length = 1593,00mm

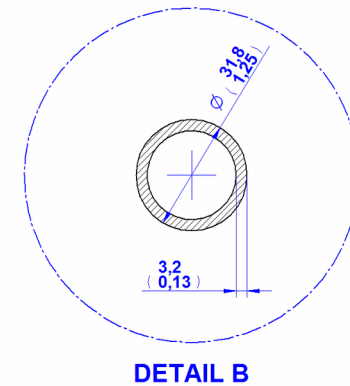


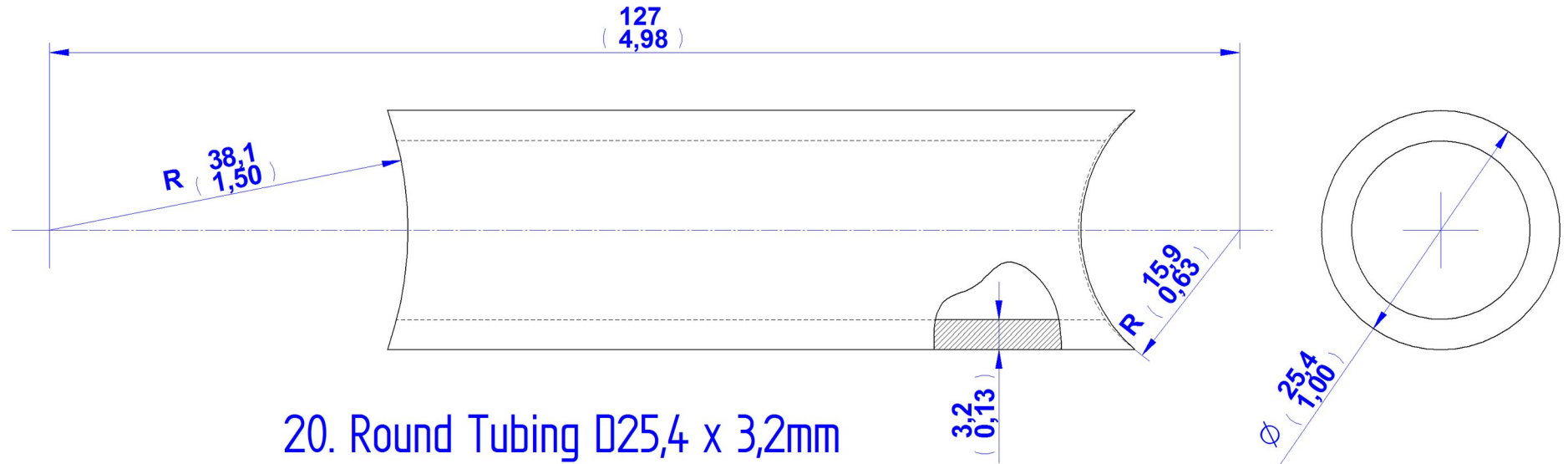


18. Round Tubing D31,8 x 3,2mm
Cut Length = 1014,00mm



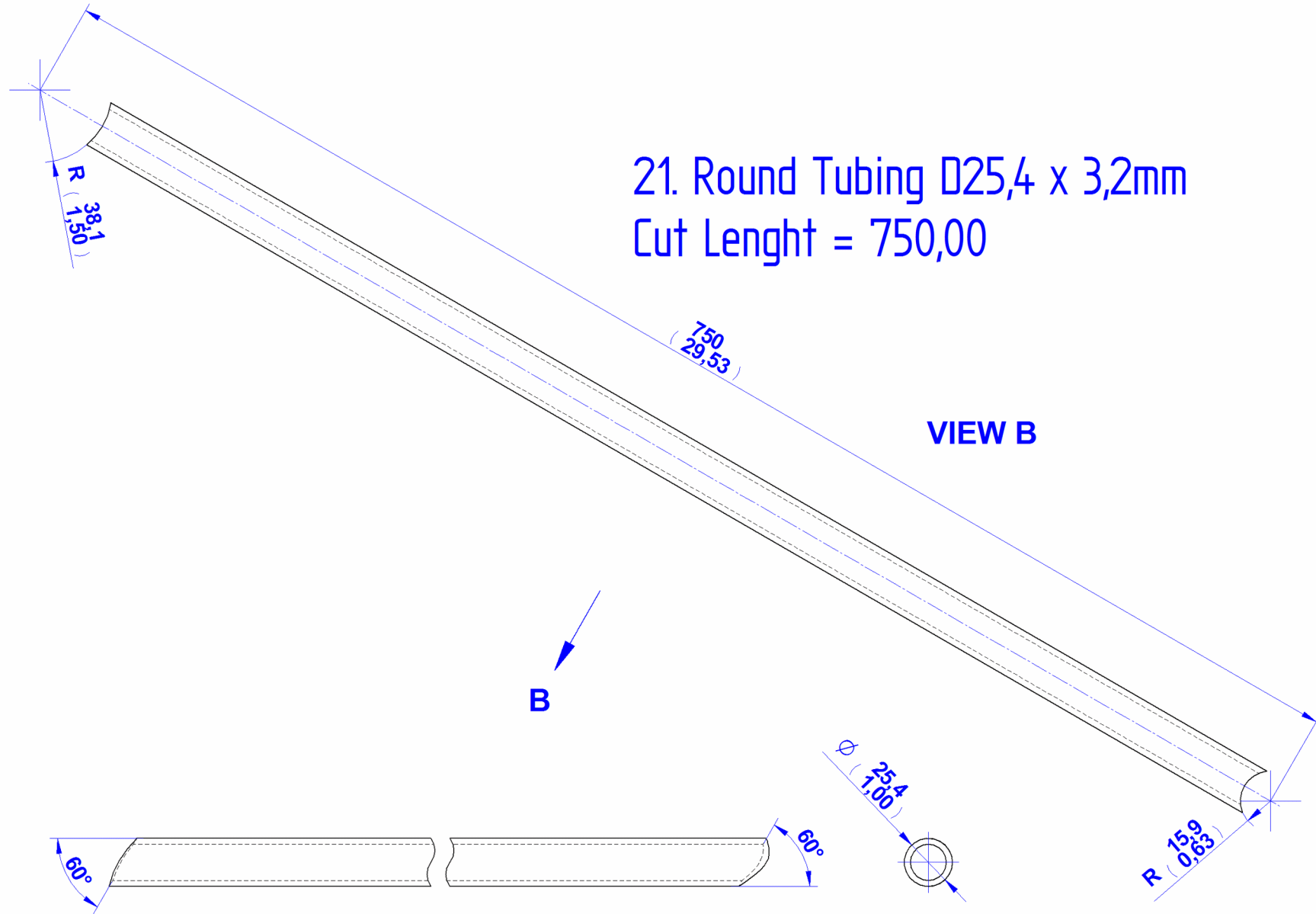
19. Round Rubing D31,8 x 3,2mm
Cut Lenght = 2498,00mm

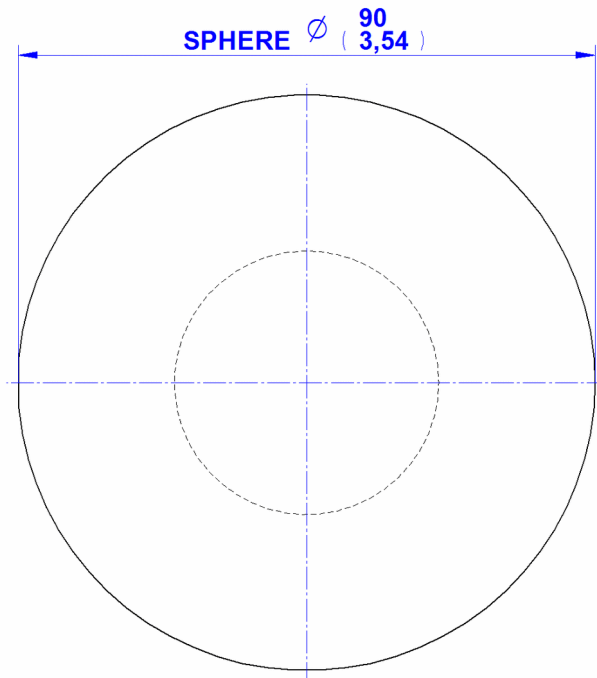
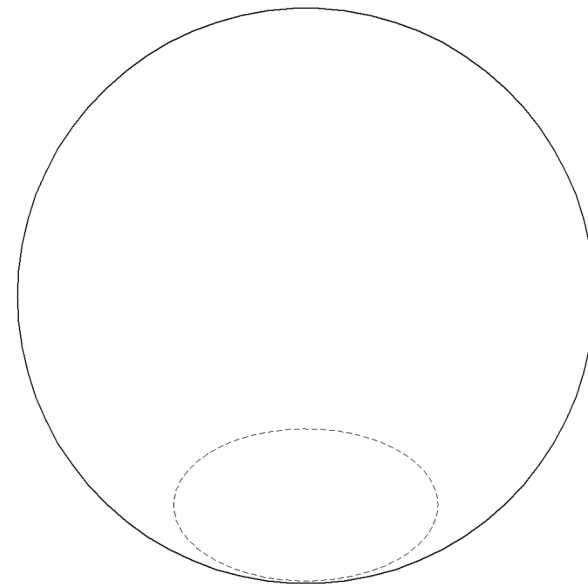
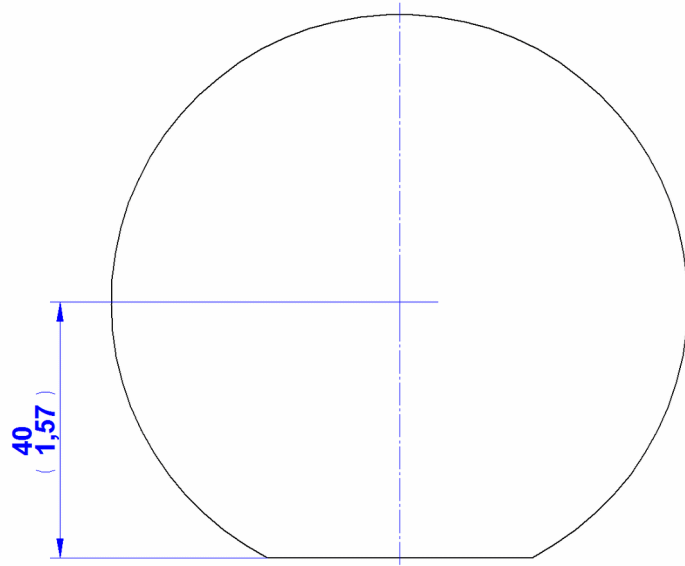




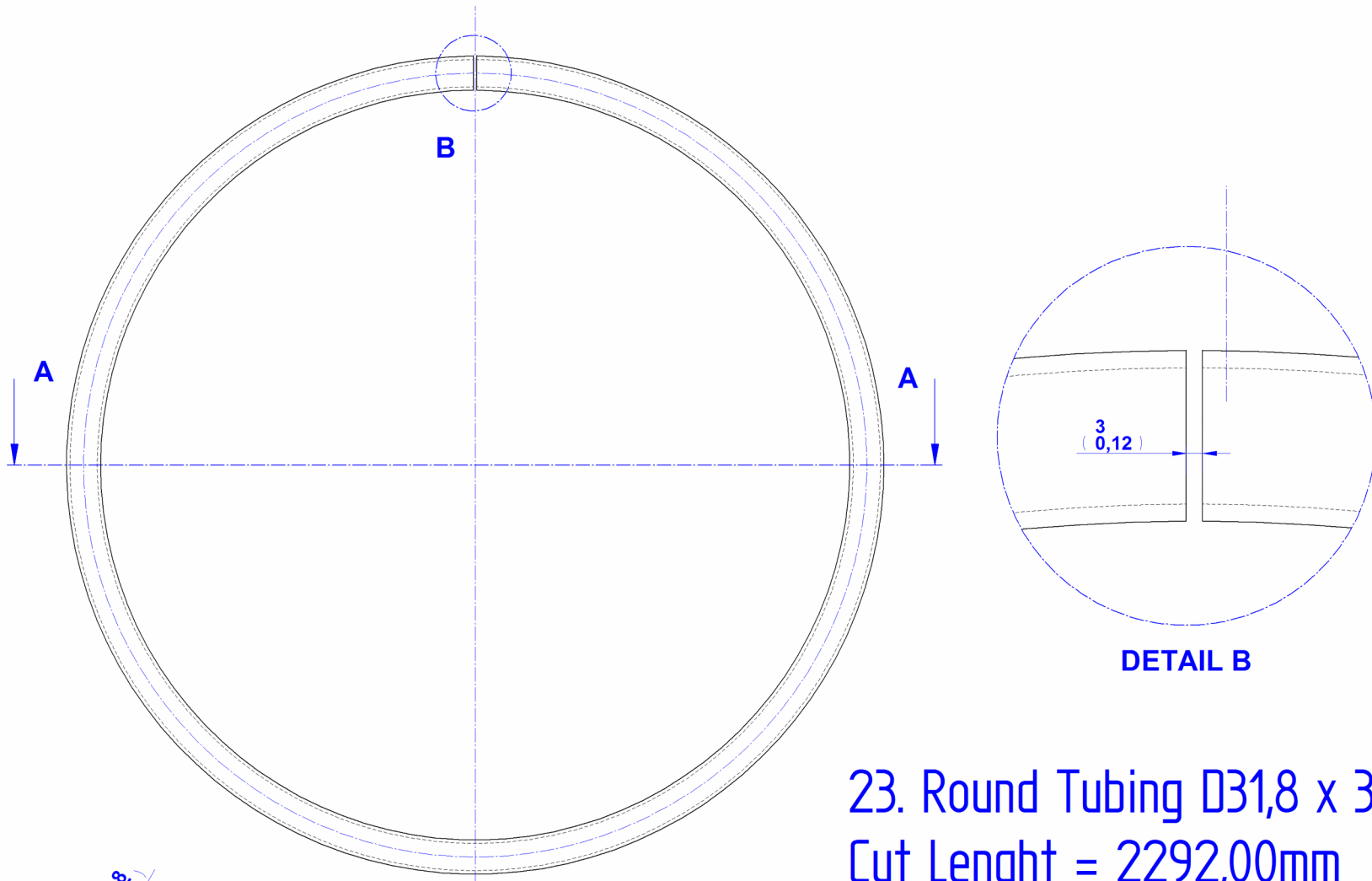
20. Round Tubing D25,4 x 3,2mm
Cut Length = 127,00mm

21. Round Tubing $\text{D}25,4 \times 3,2\text{mm}$
Cut Length = 750,00



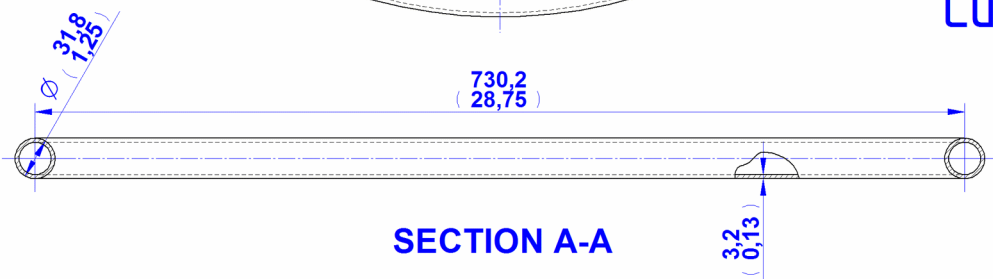


22. Sphere

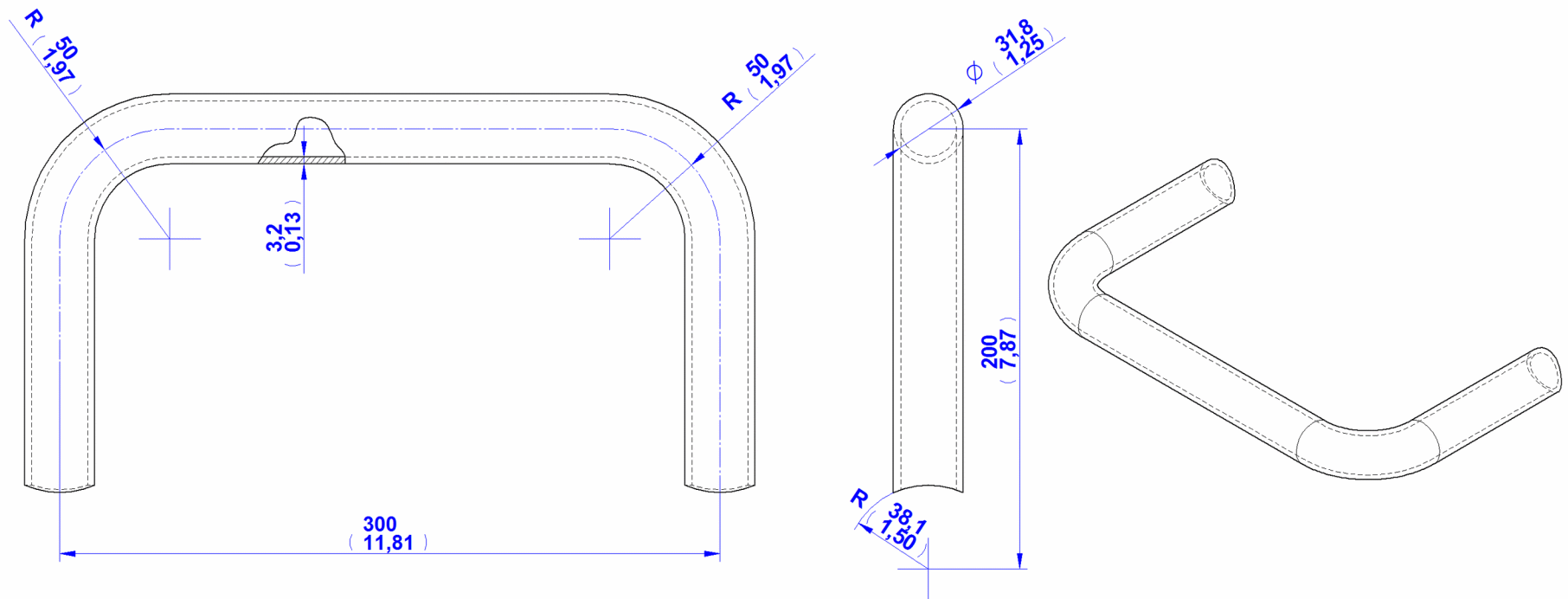


DETAIL B

23. Round Tubing D31,8 x 3,2mm
Cut Length = 2292,00mm

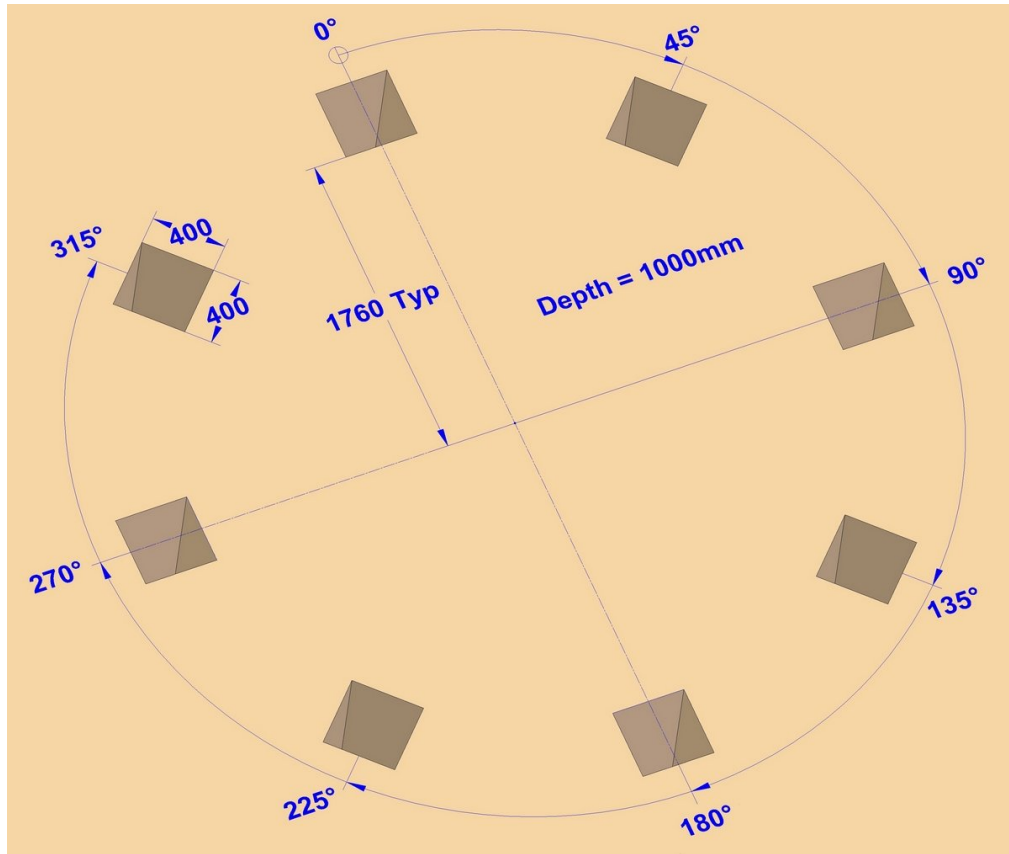


SECTION A-A

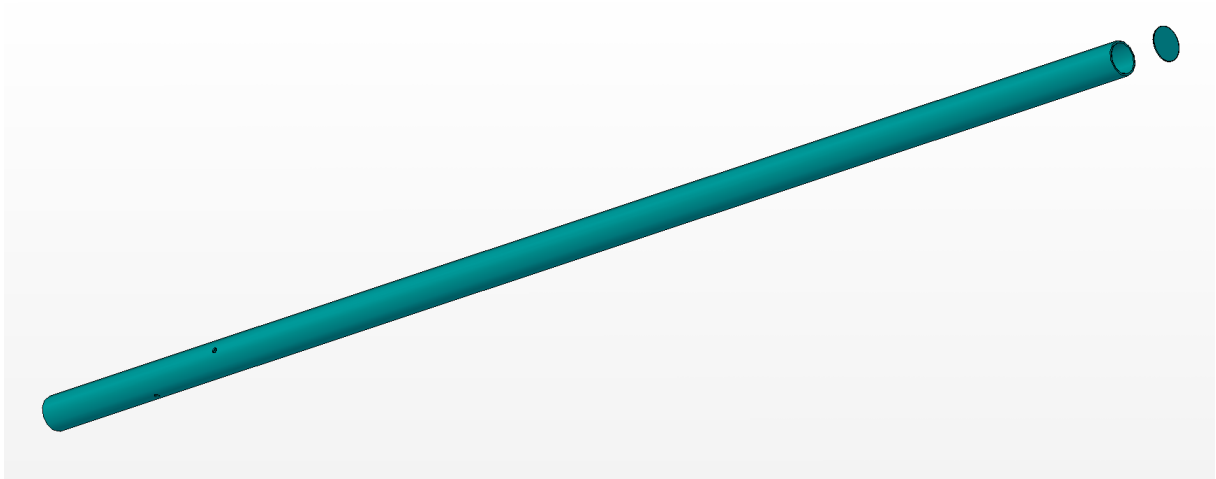


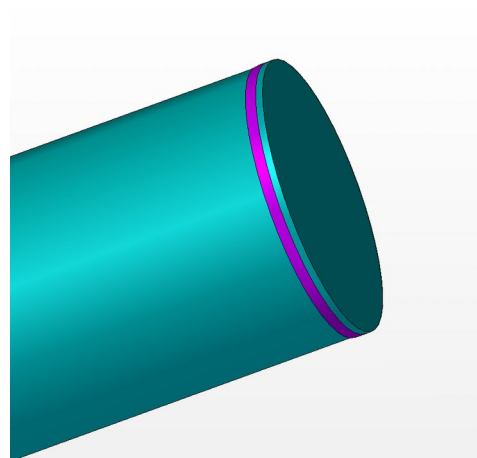
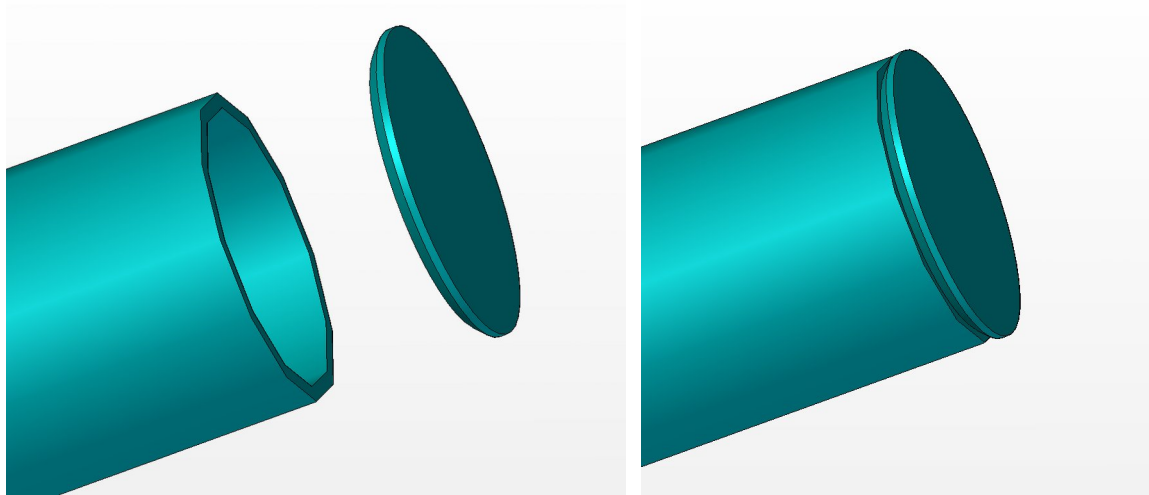
24. Round Tubing D31,8 x 3,2mm
Cut Length = 657,00mm

1.

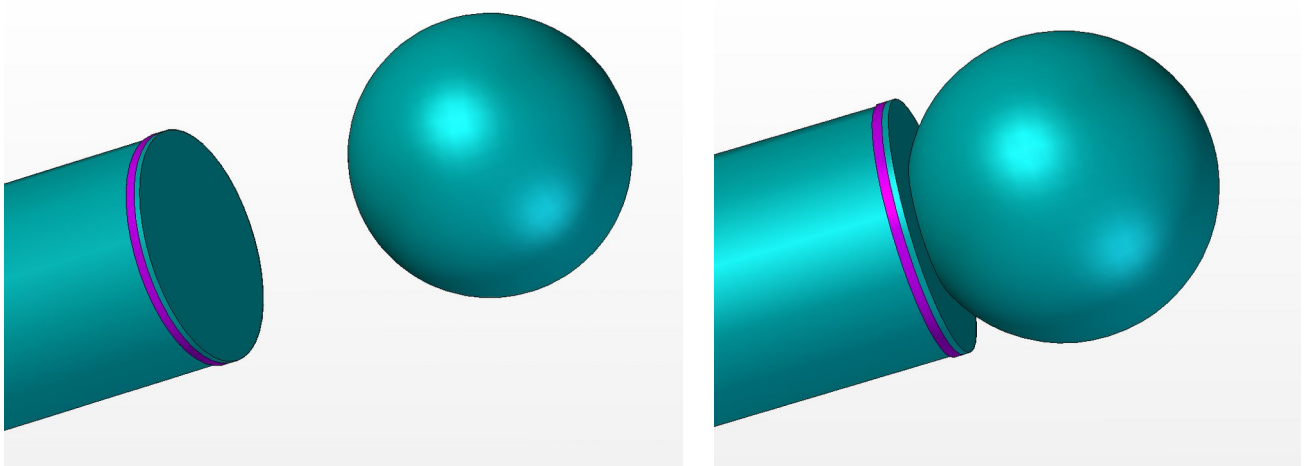


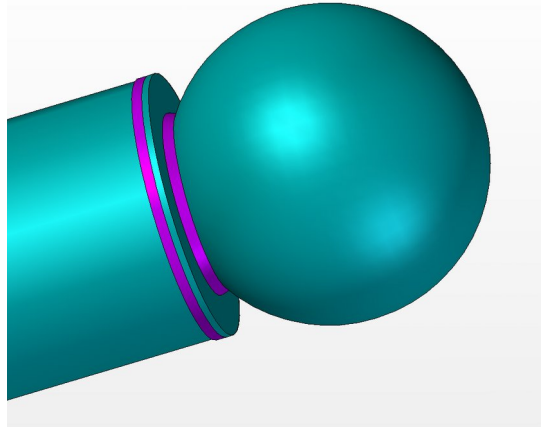
2.



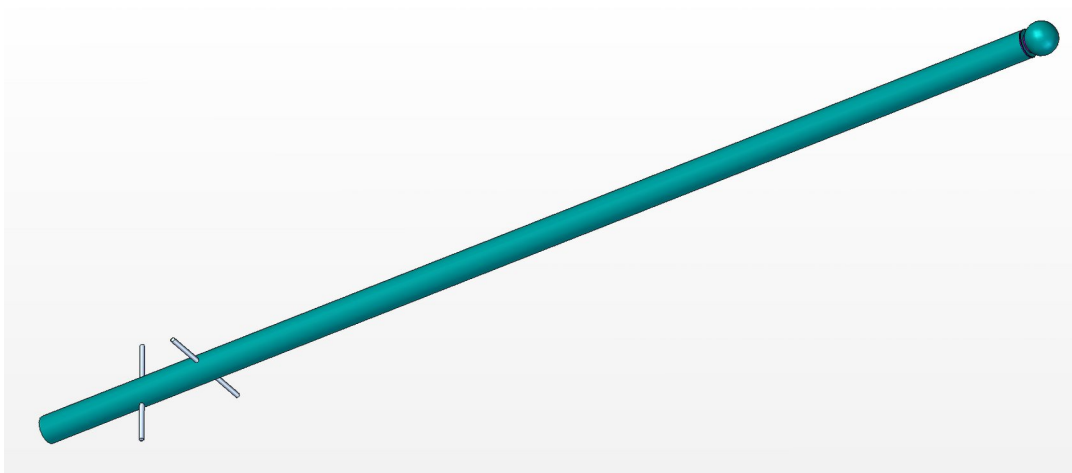
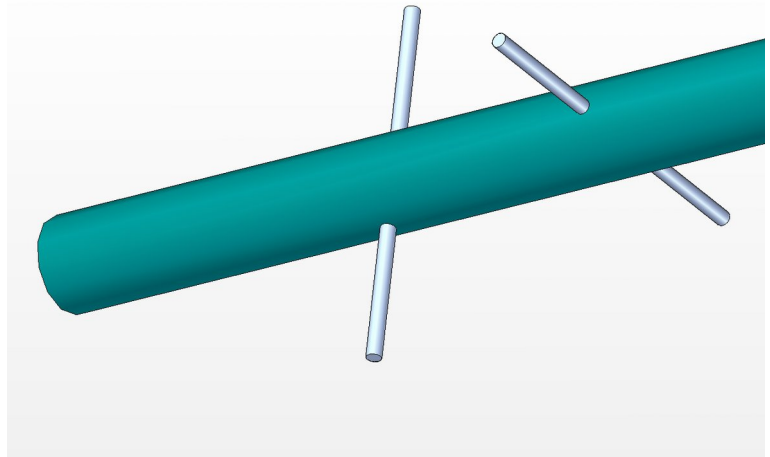
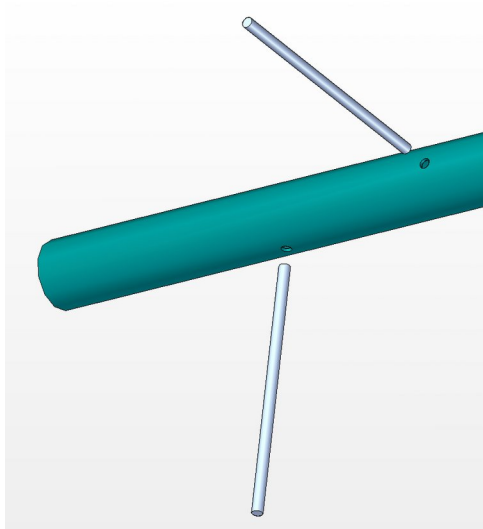


3.

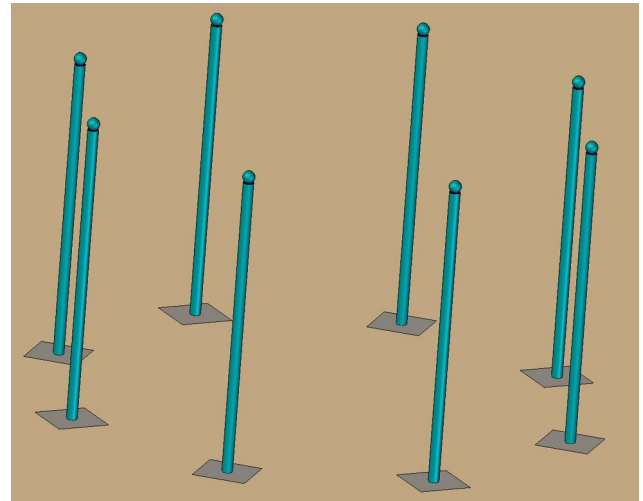
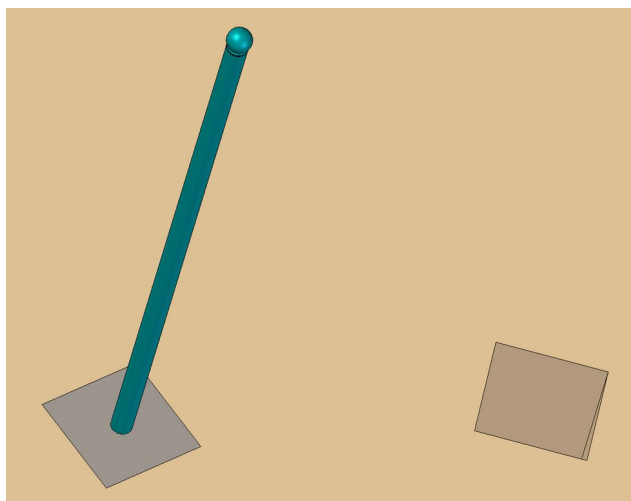
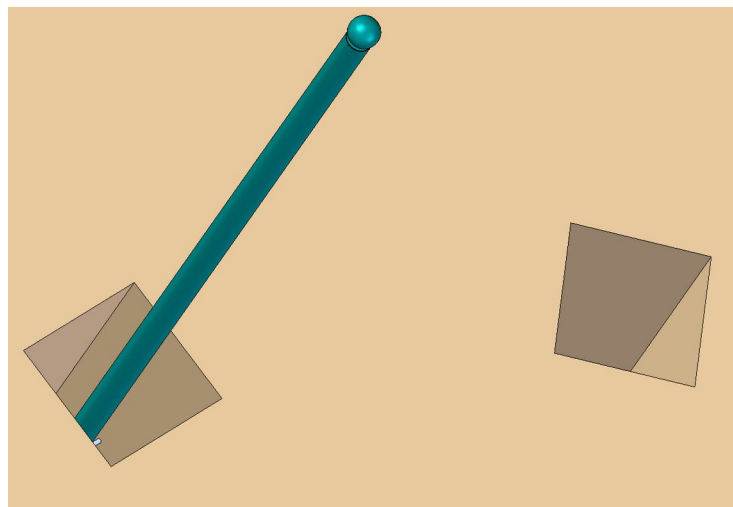
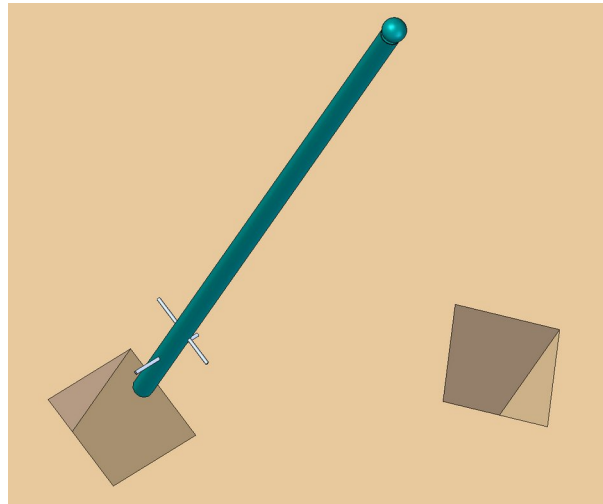




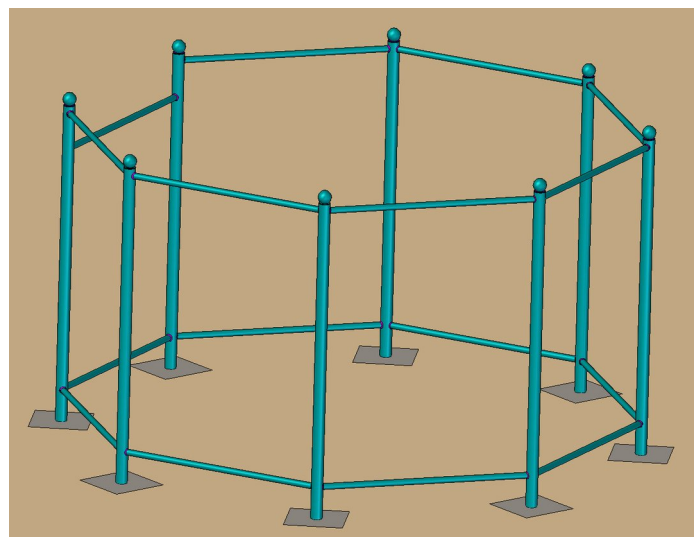
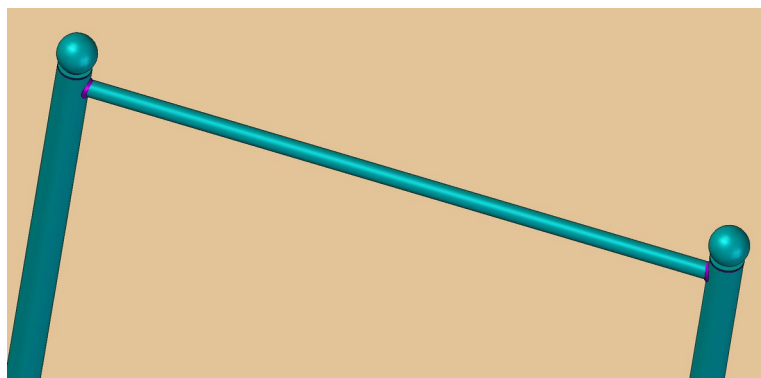
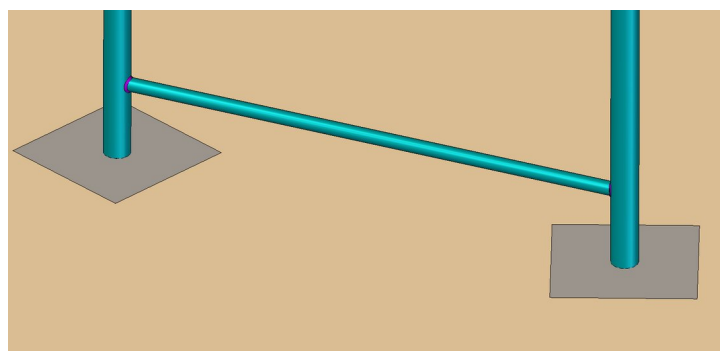
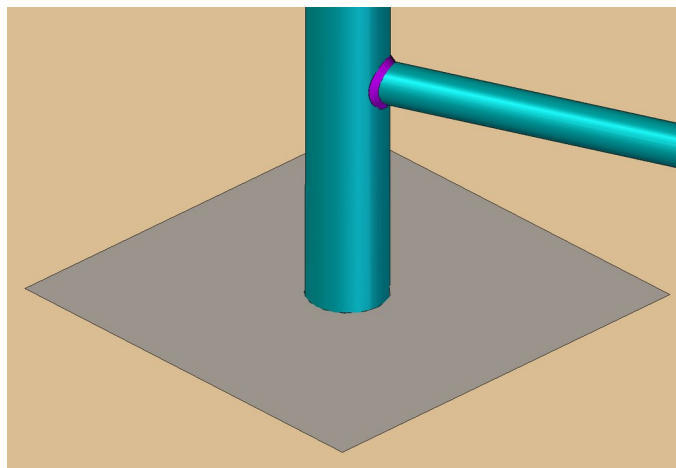
4



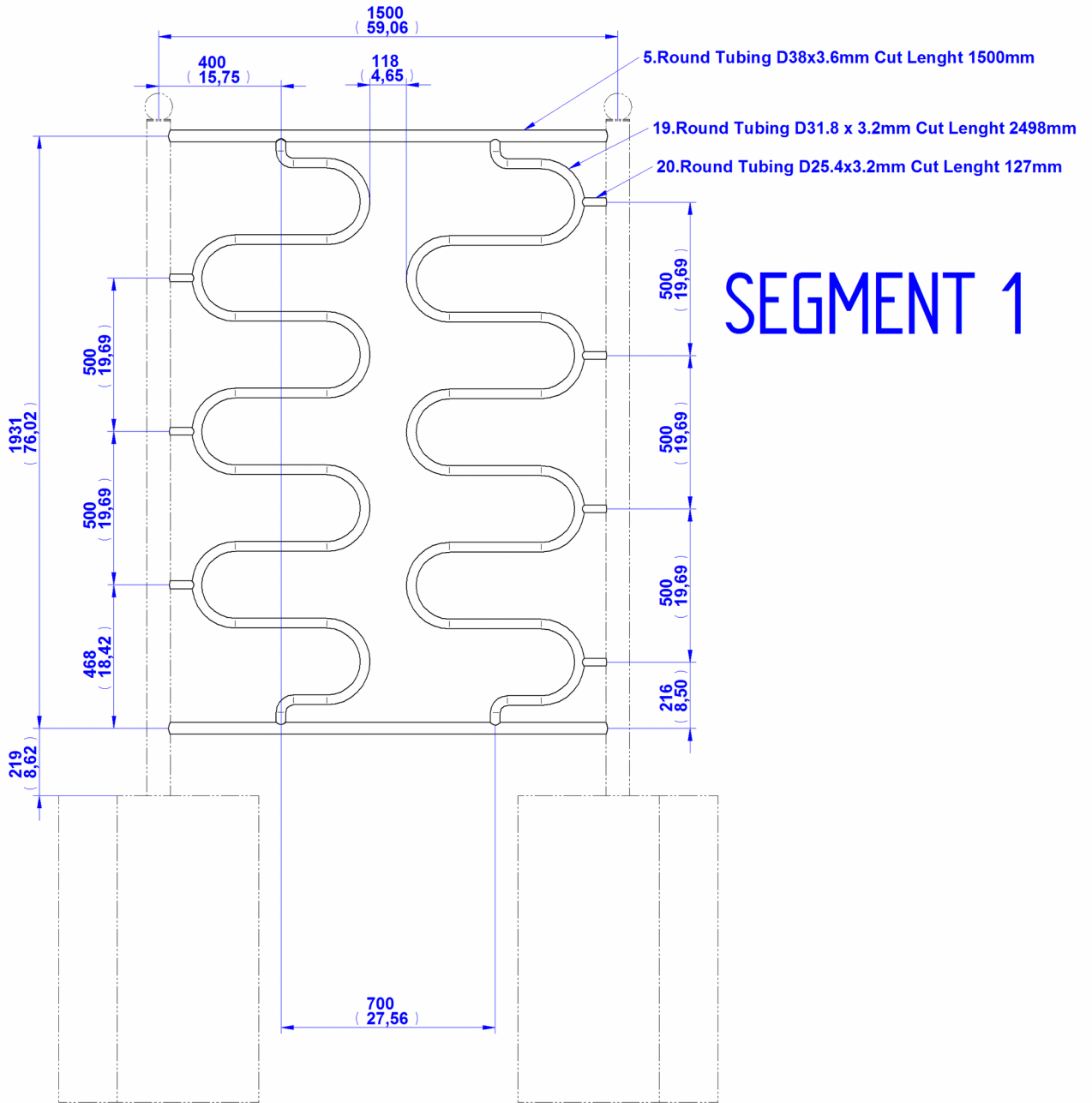
5.



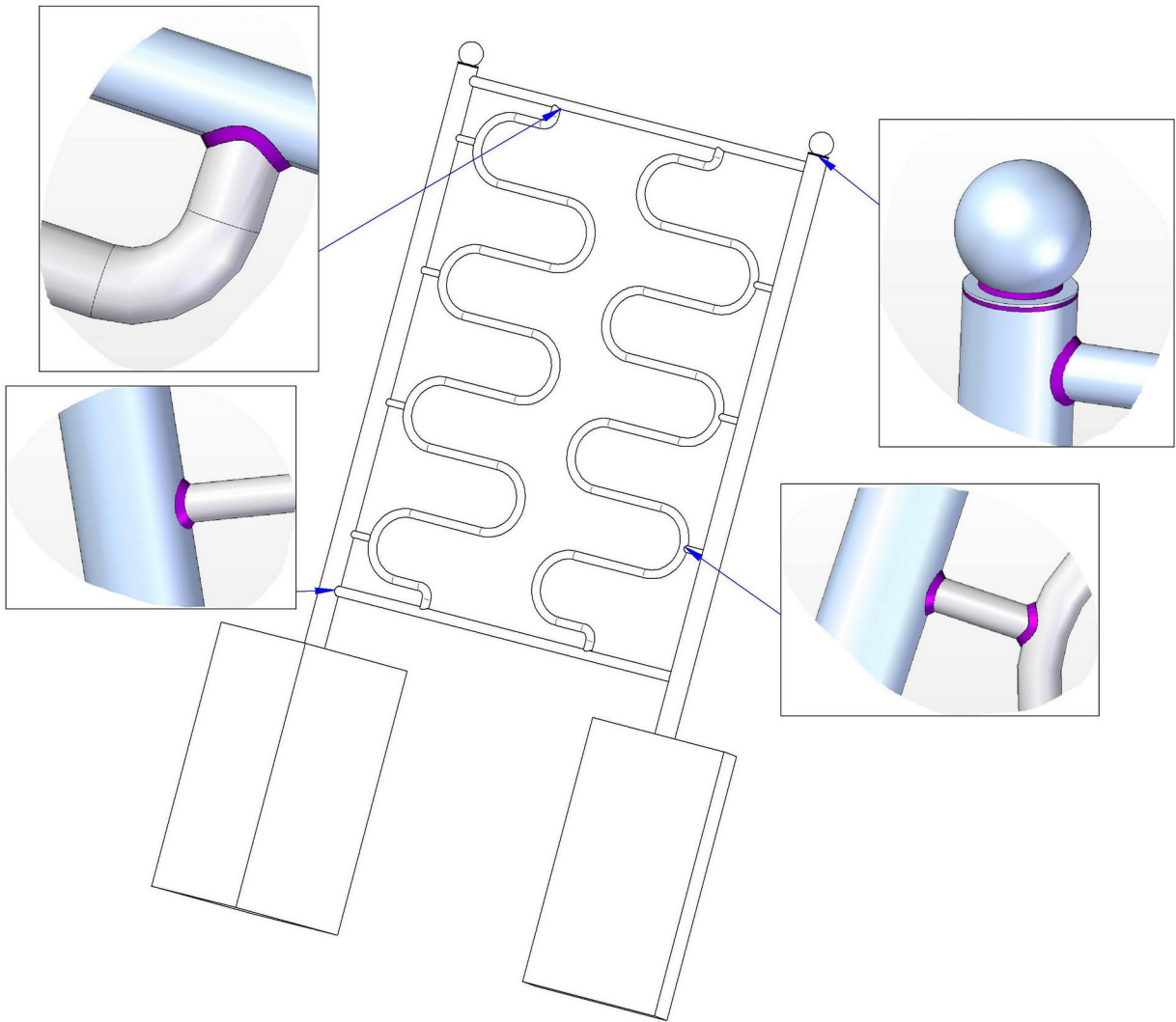
6.

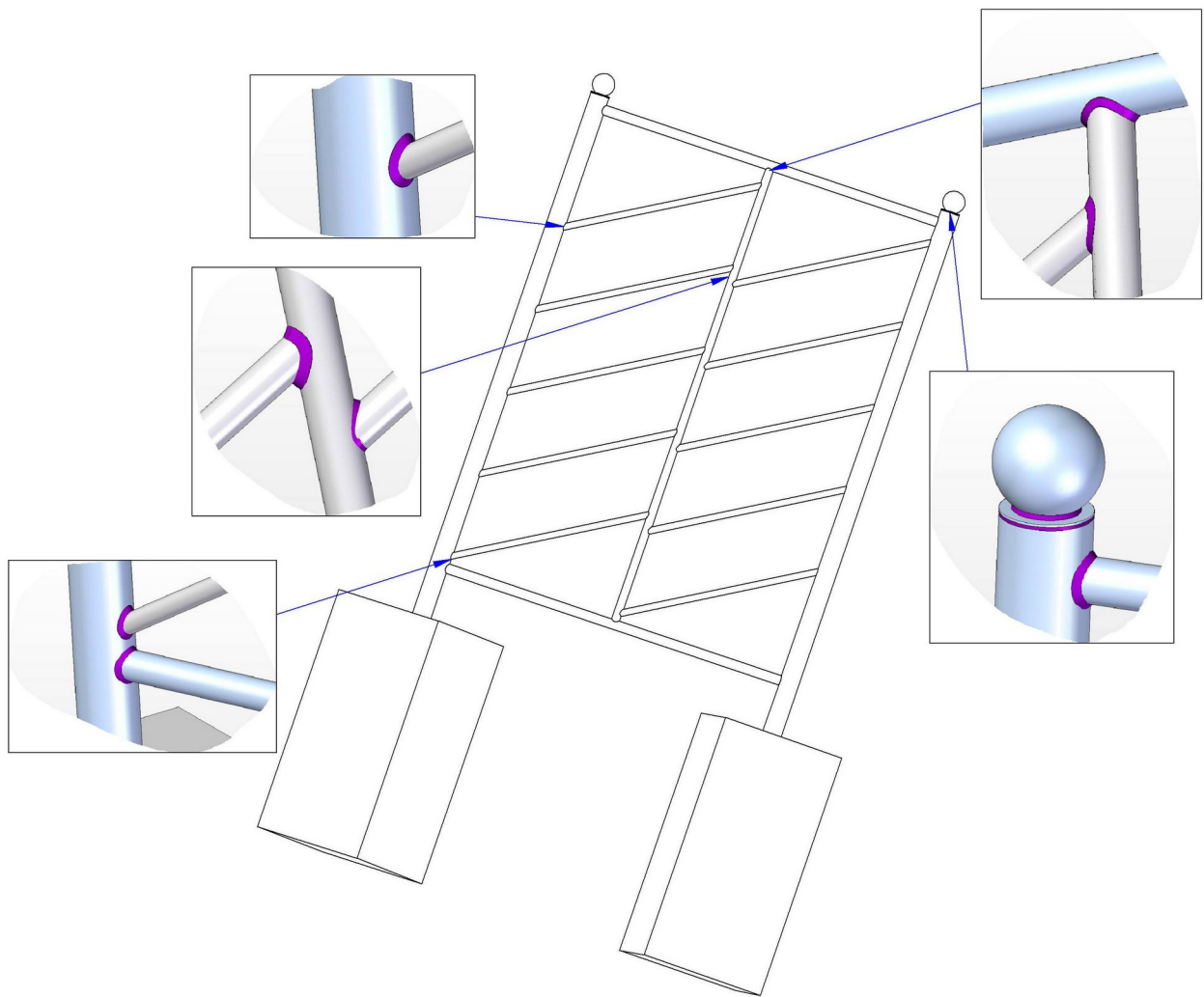


SEGMENT 1

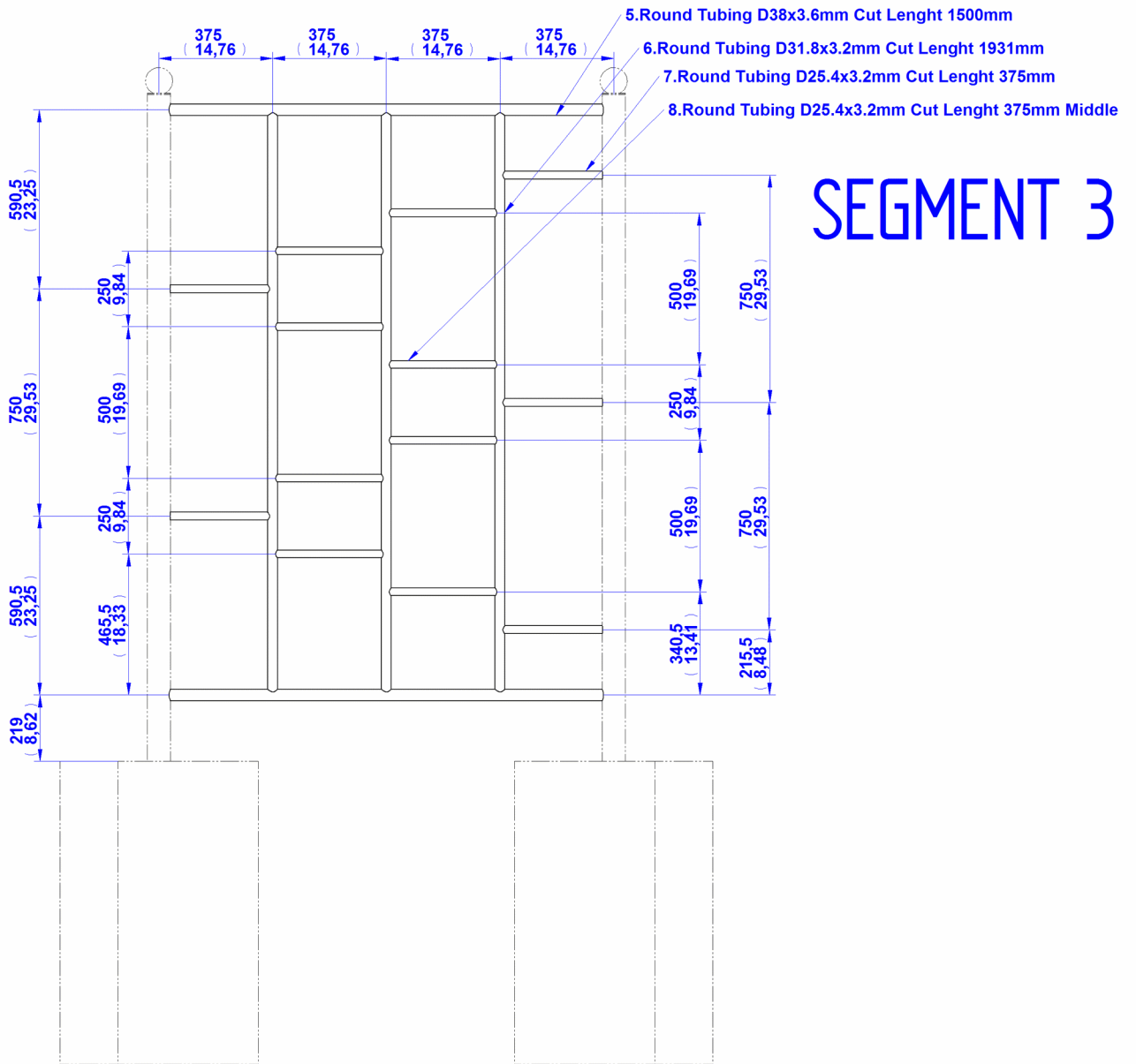


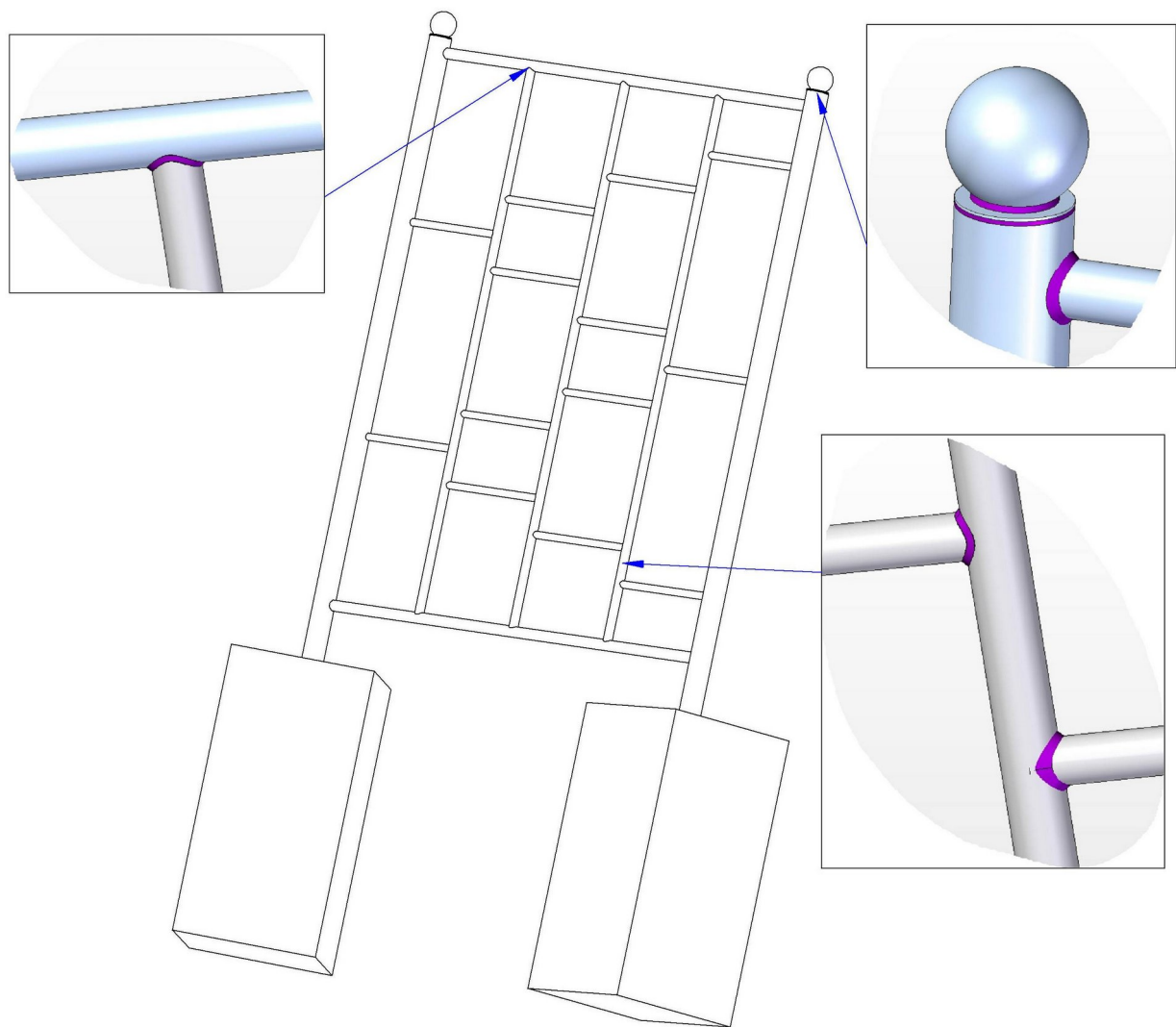
SEGMENT 1



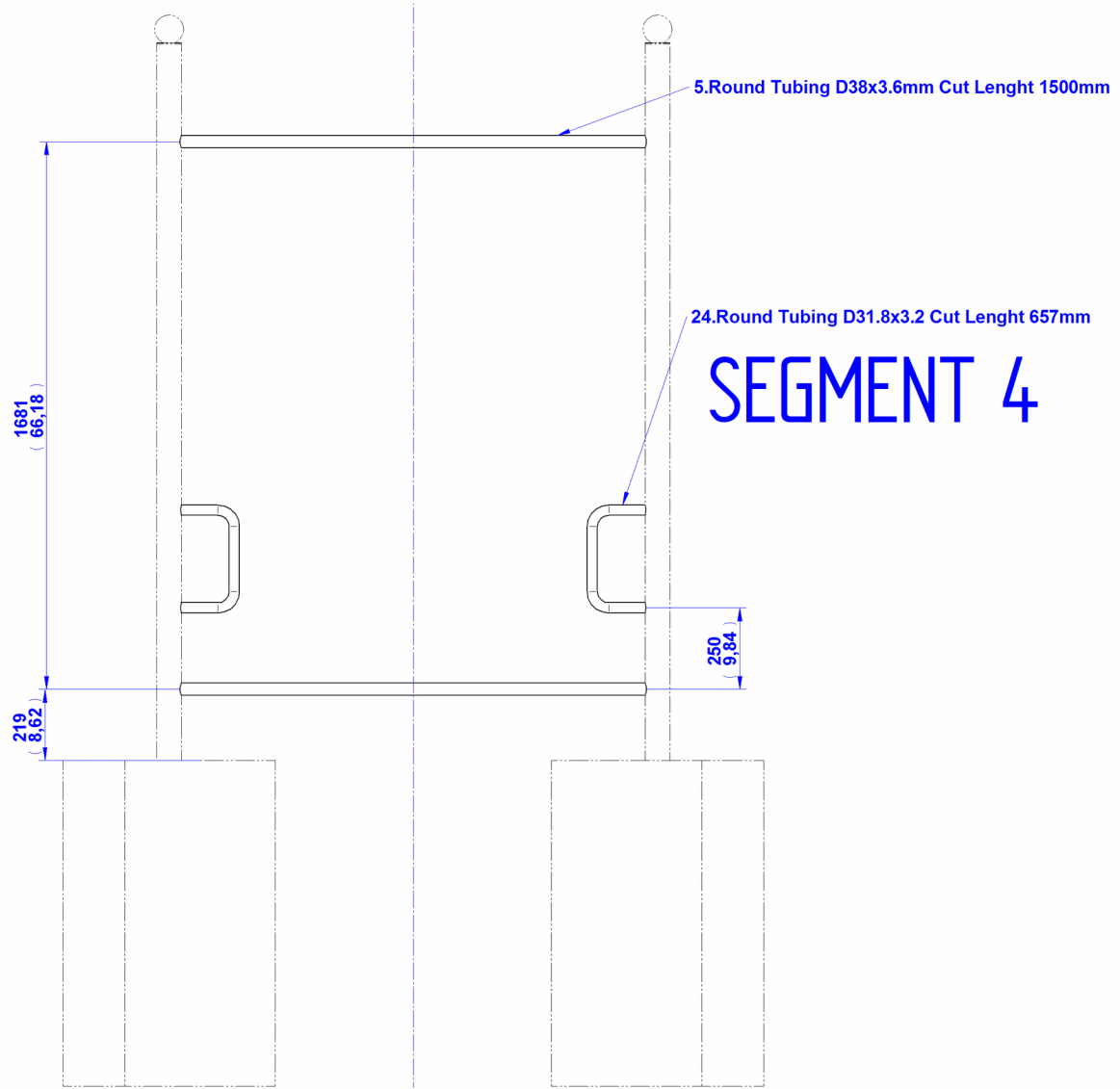


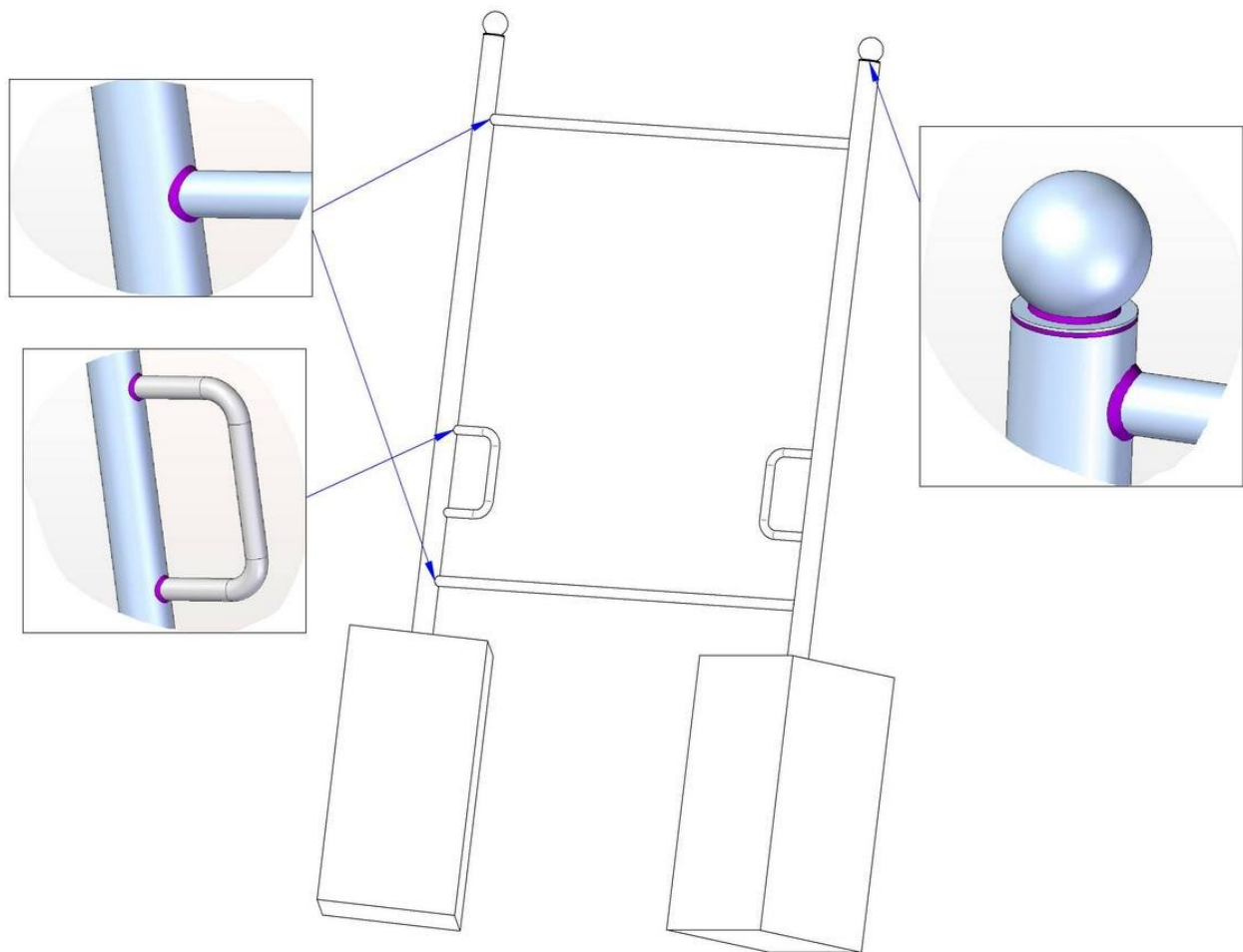
SEGMENT 3



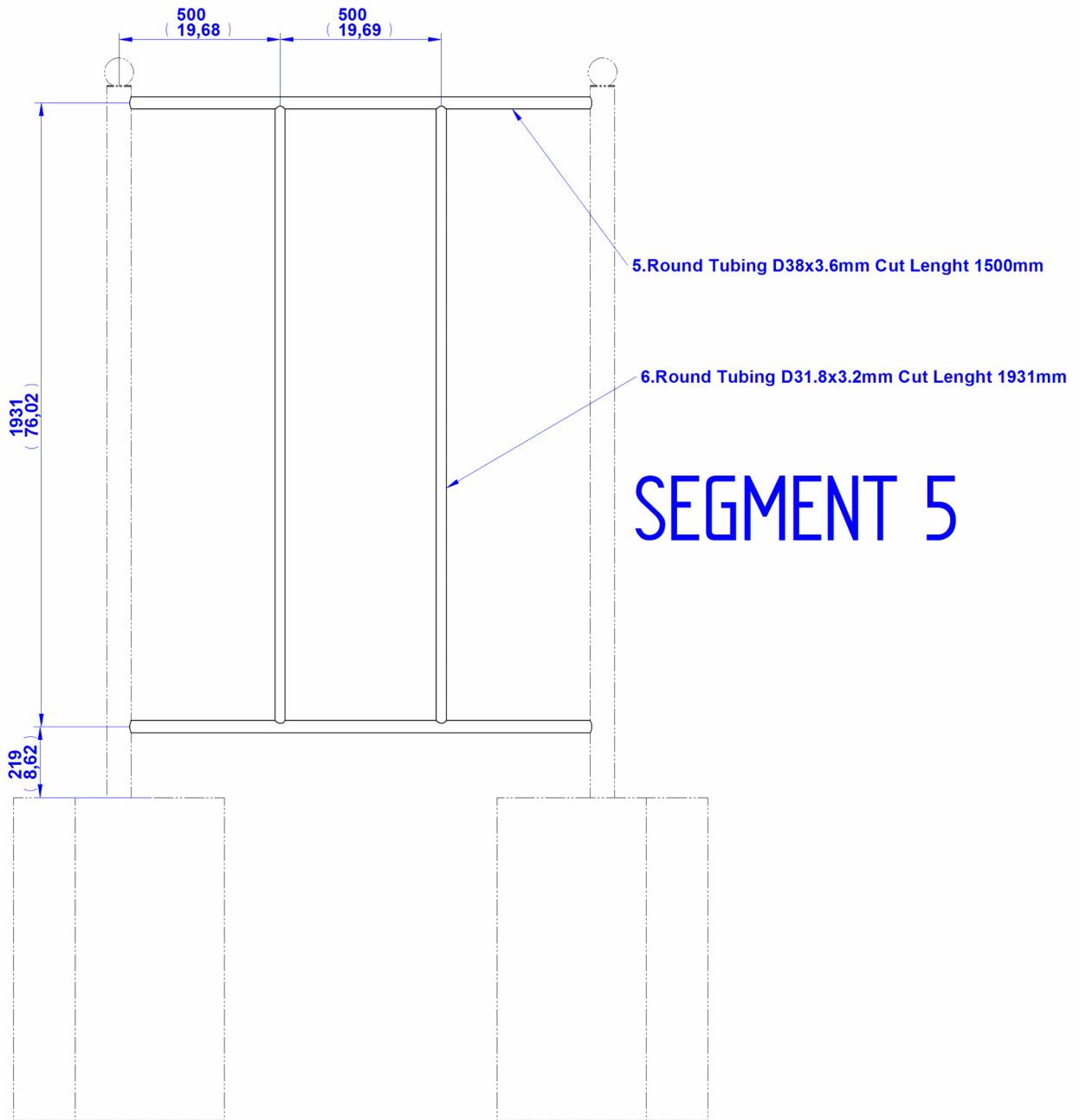


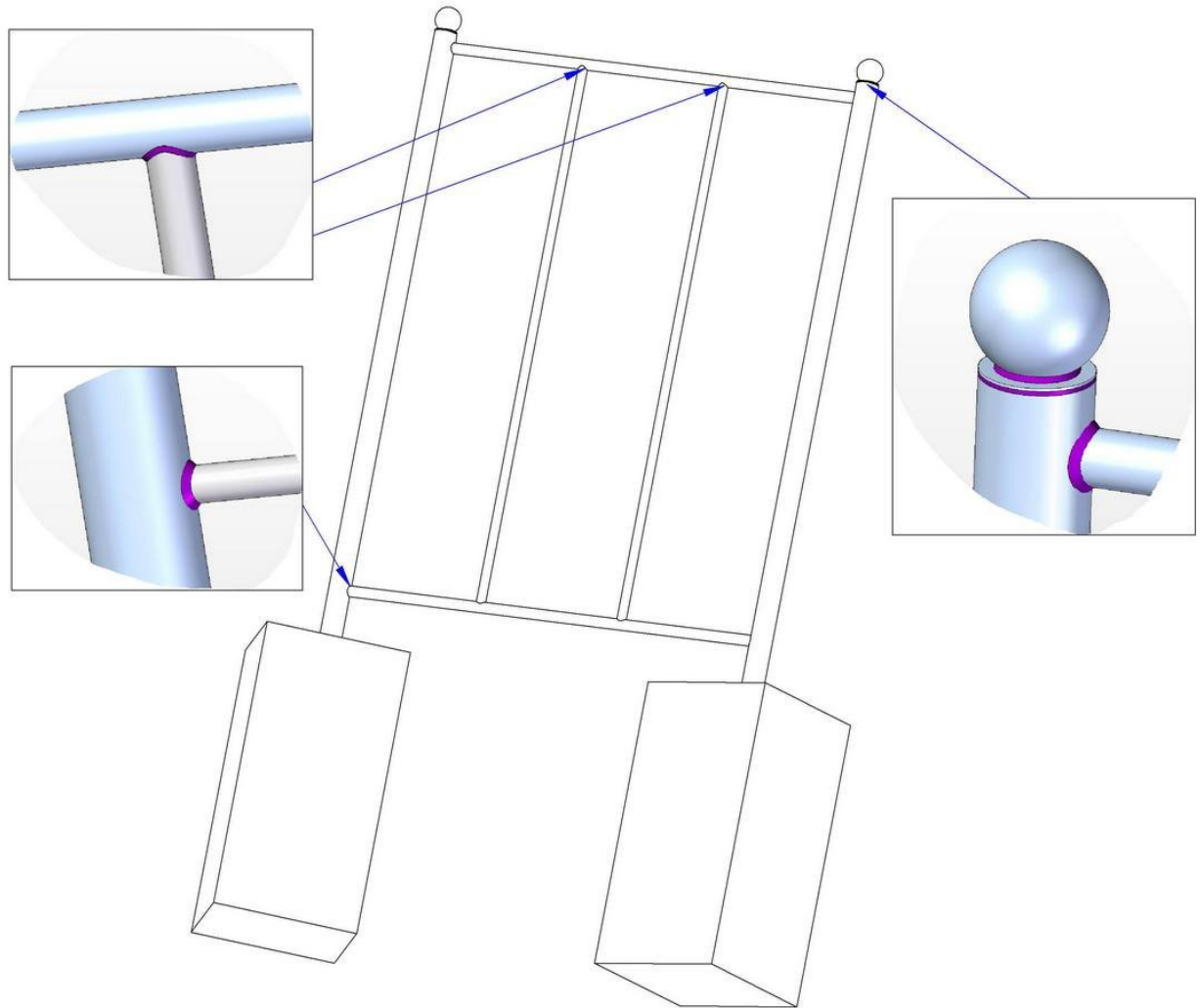
SEGMENT 4

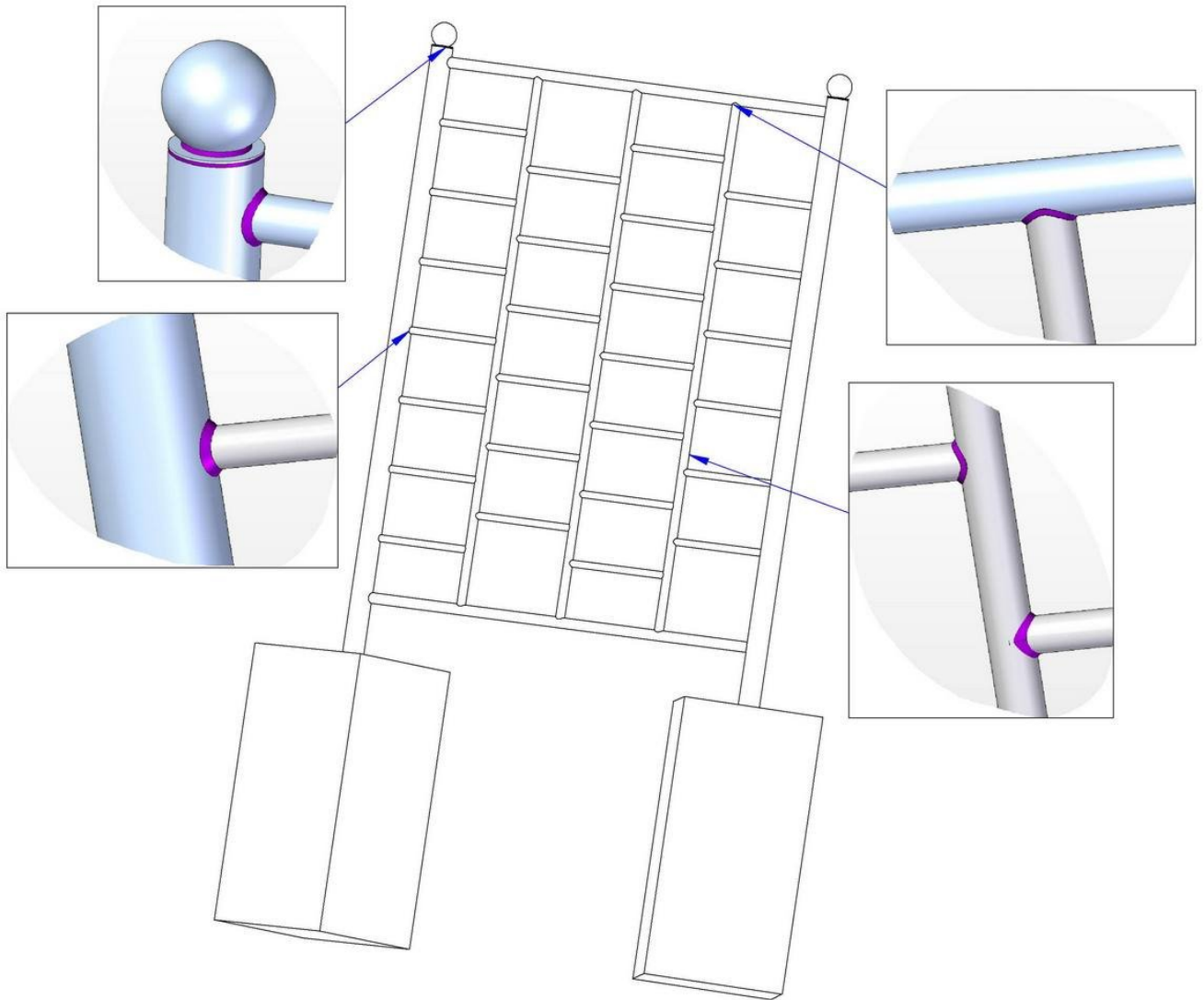




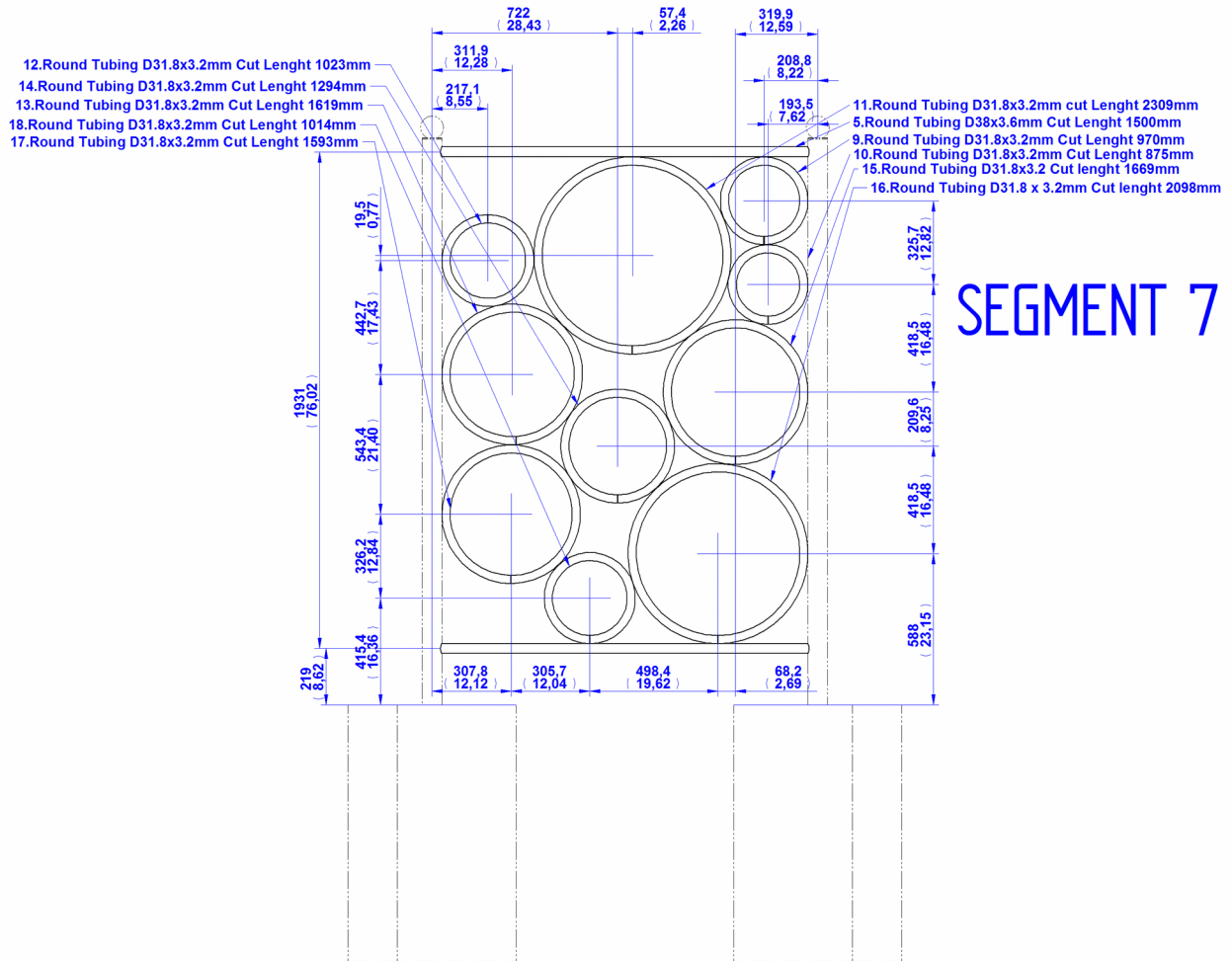
SEGMENT 5



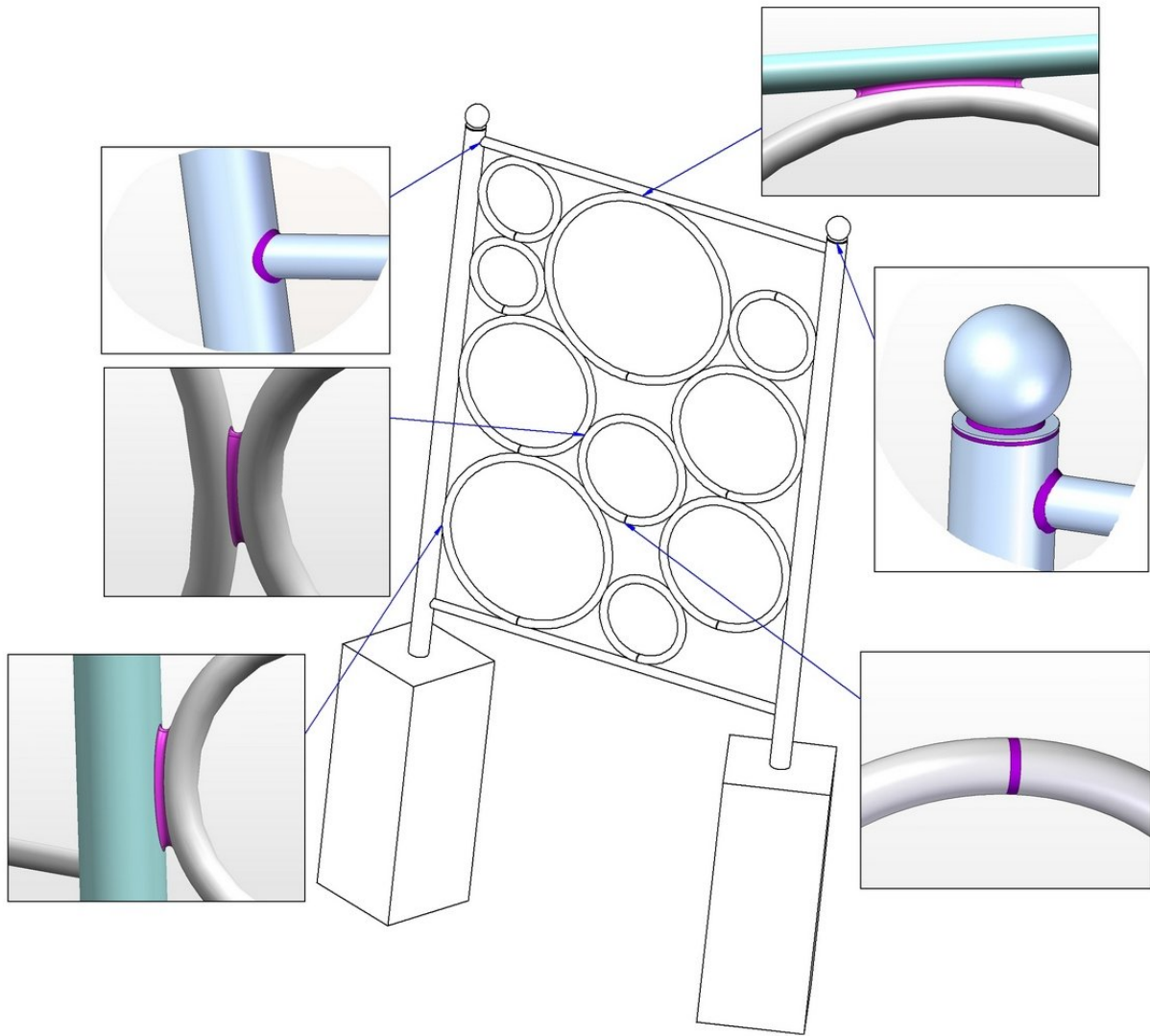




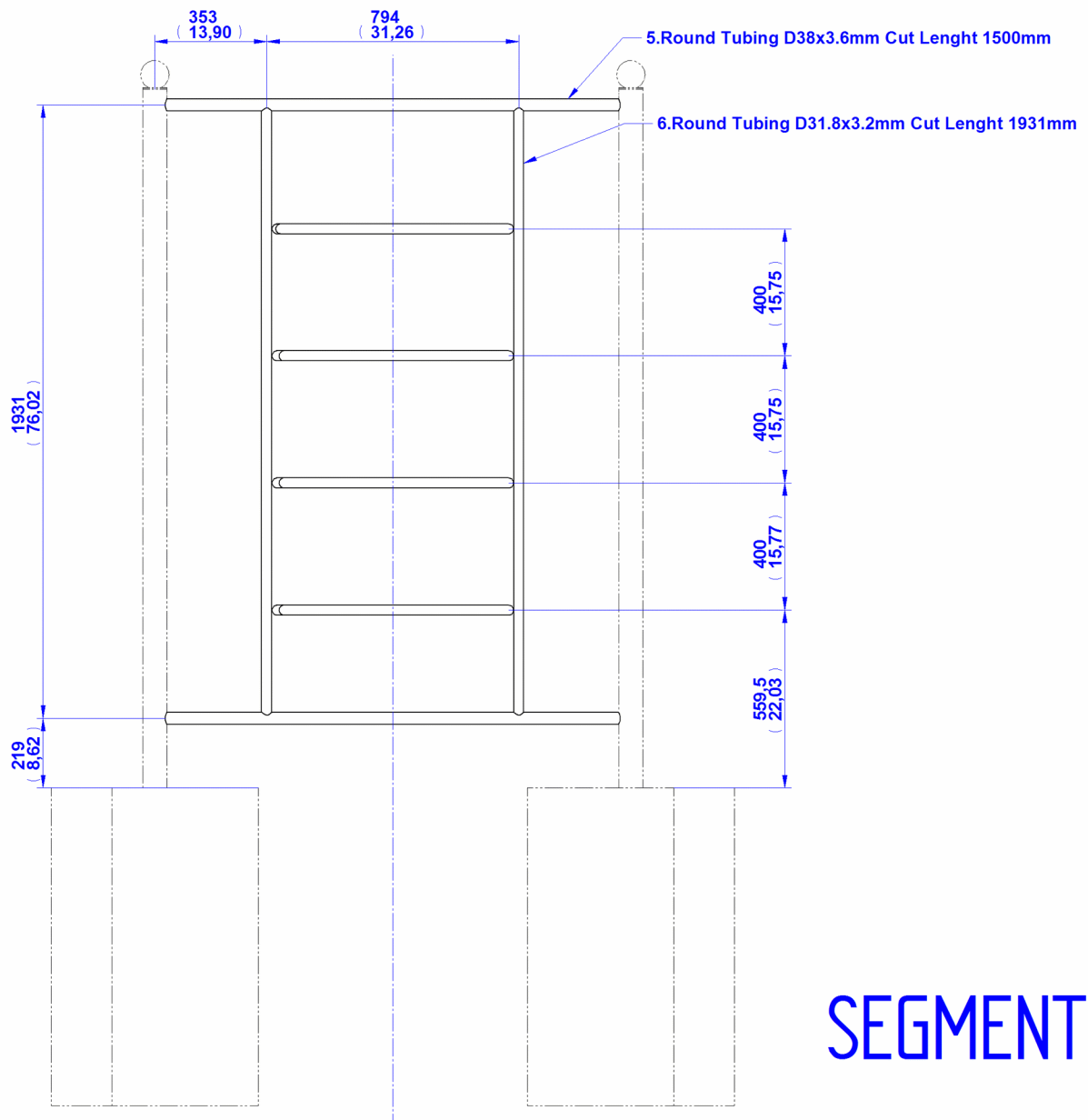
SEGMENT 7



SEGMENT 7



SEGMENT 8



SEGMENT 8

