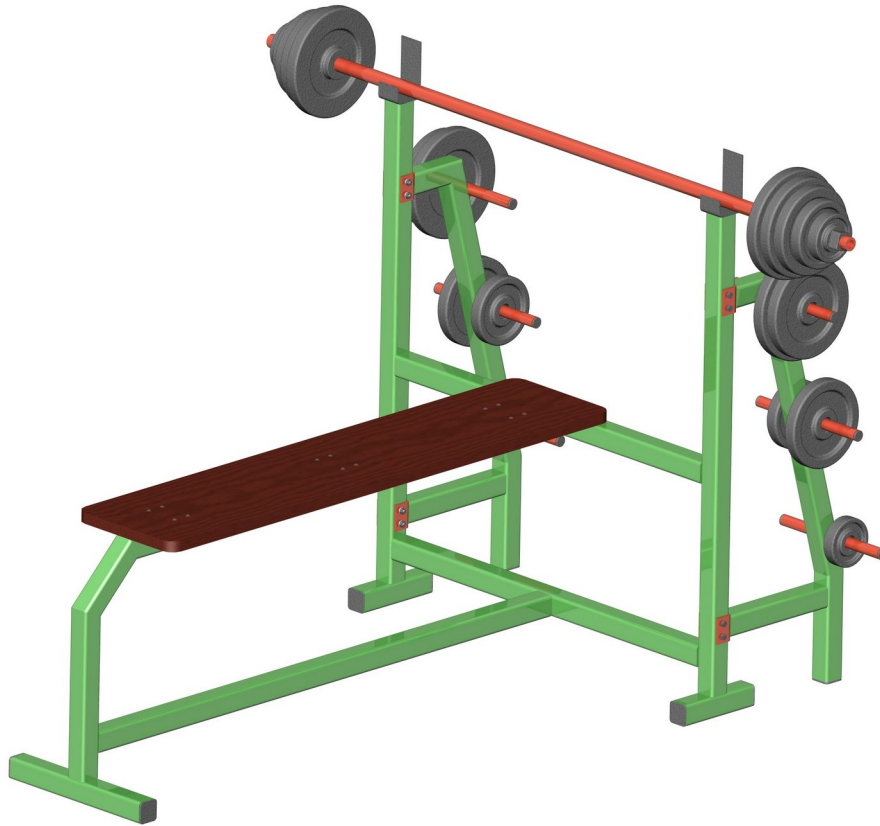
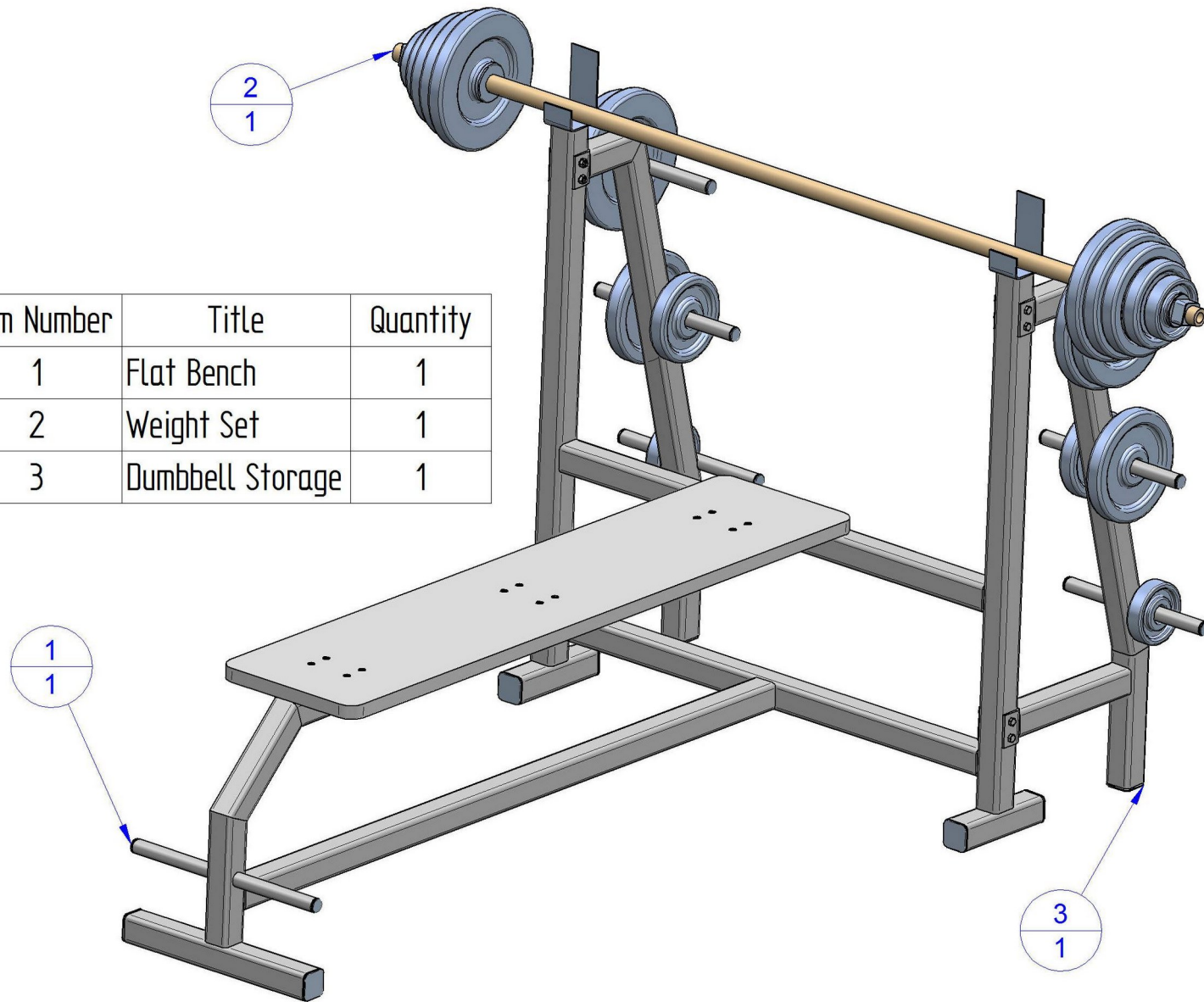


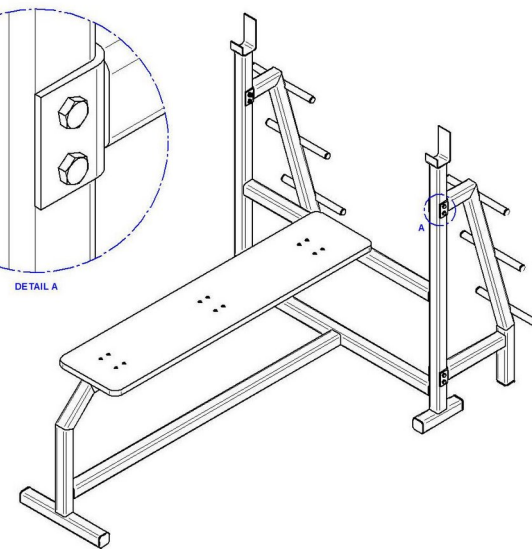
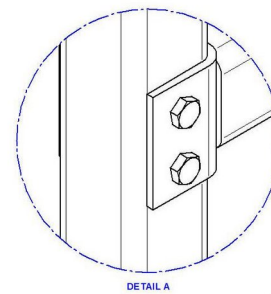
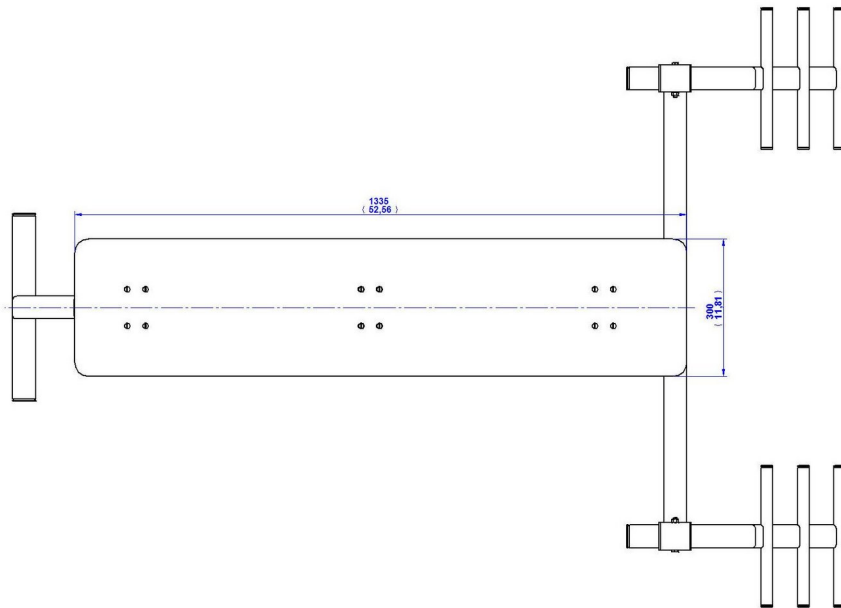
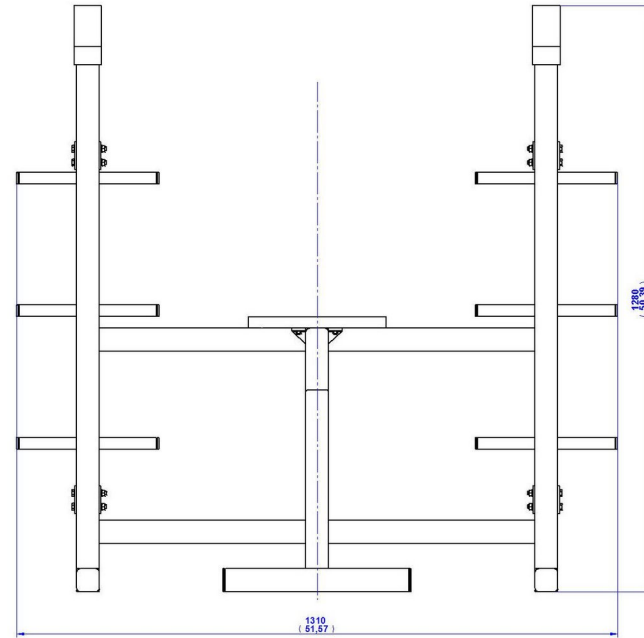
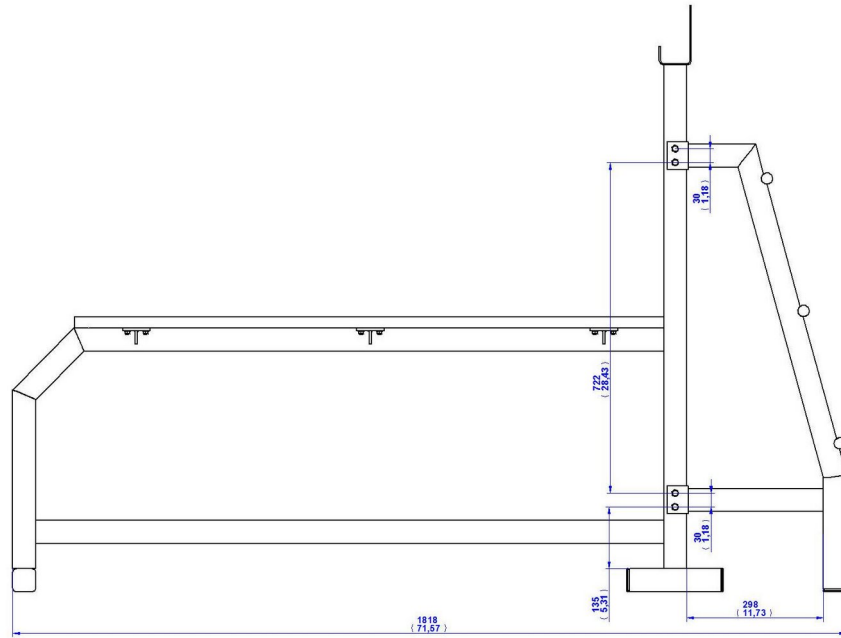
Olympic flat bench with plate storage and weight set plan



Sub-assembly List

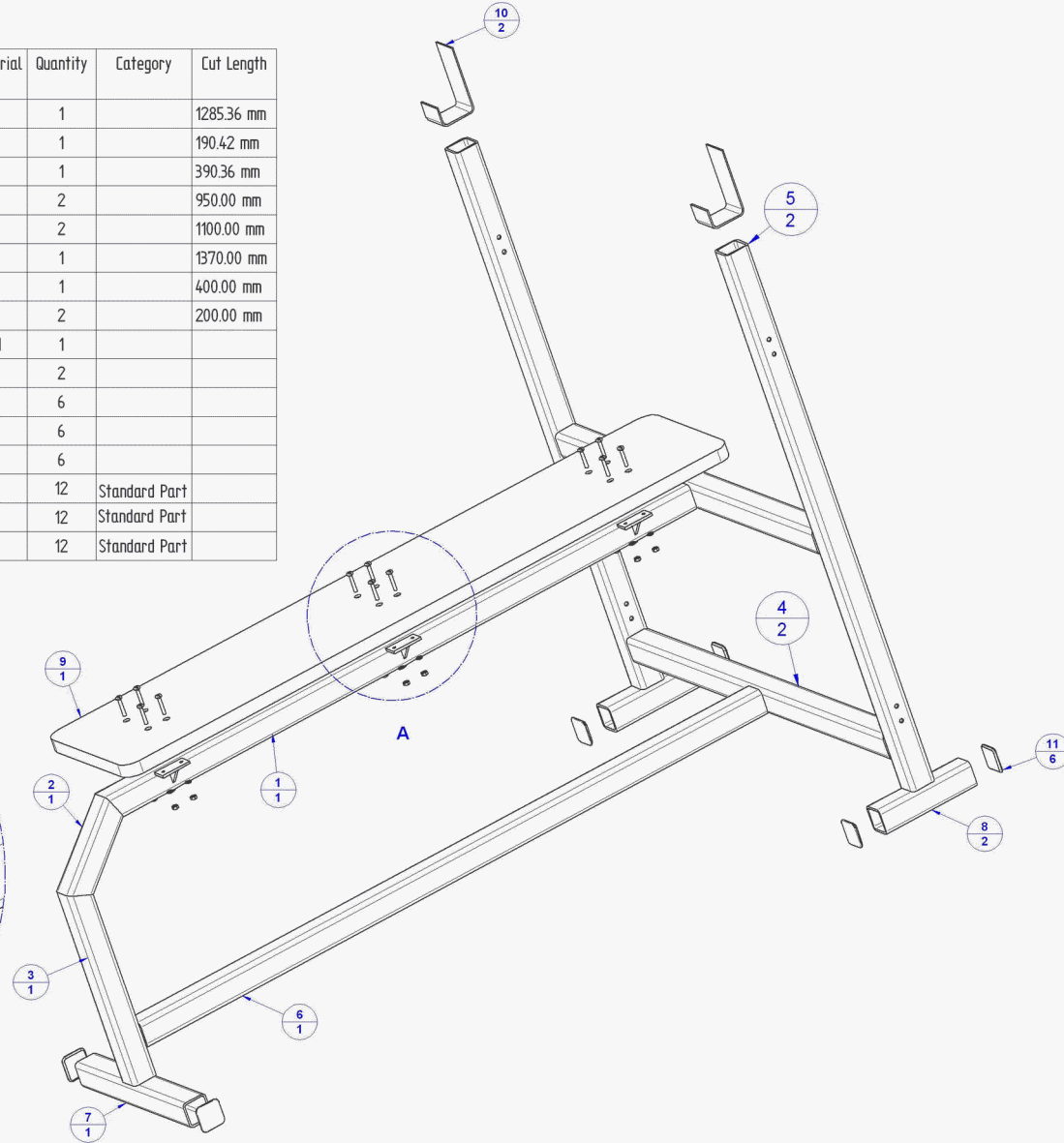
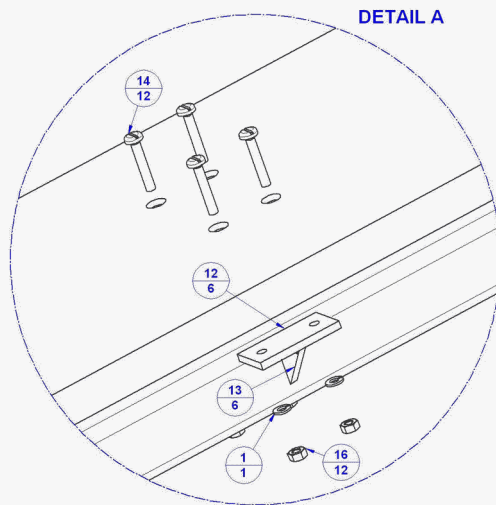
Item Number	Title	Quantity
1	Flat Bench	1
2	Weight Set	1
3	Dumbbell Storage	1

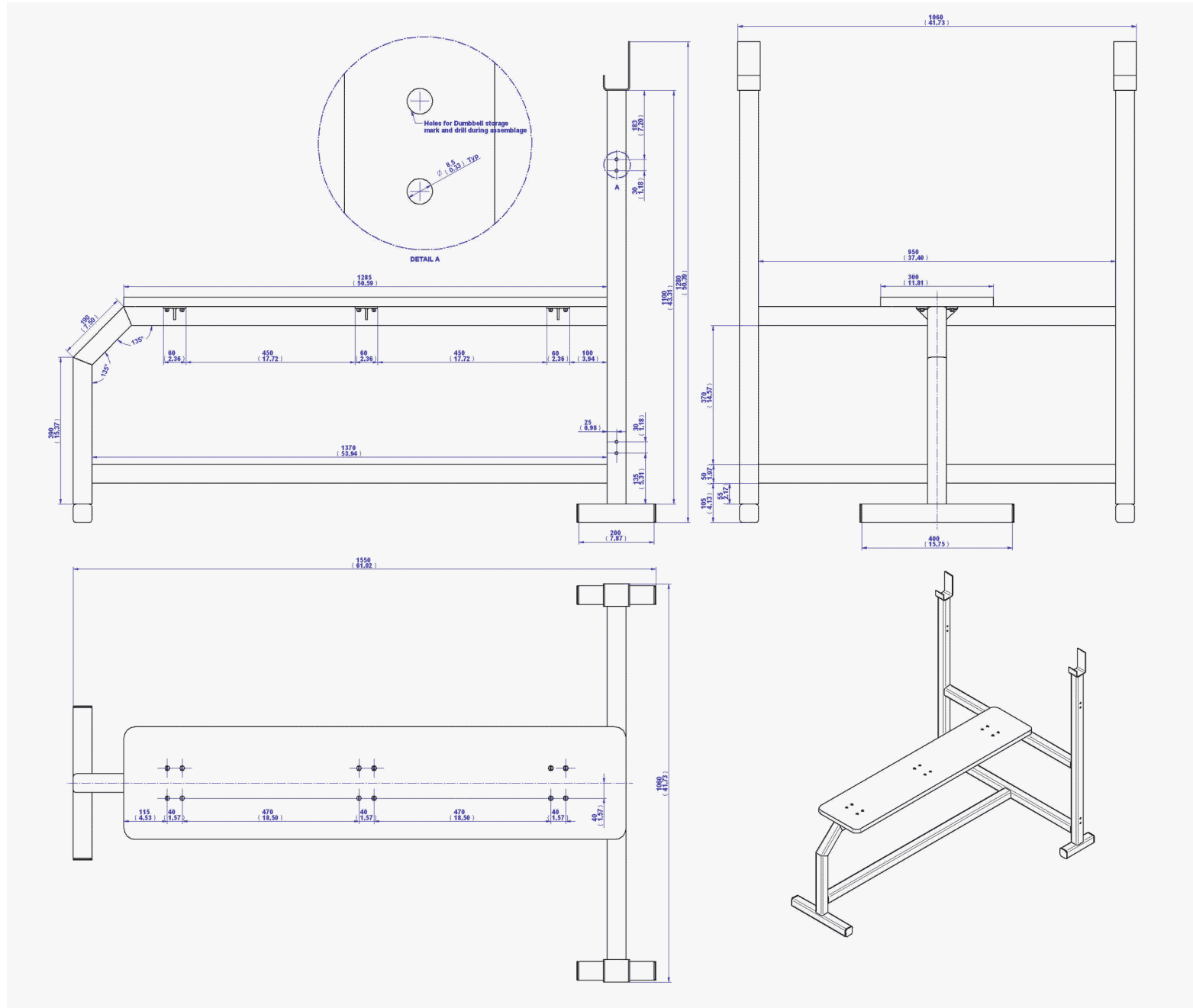




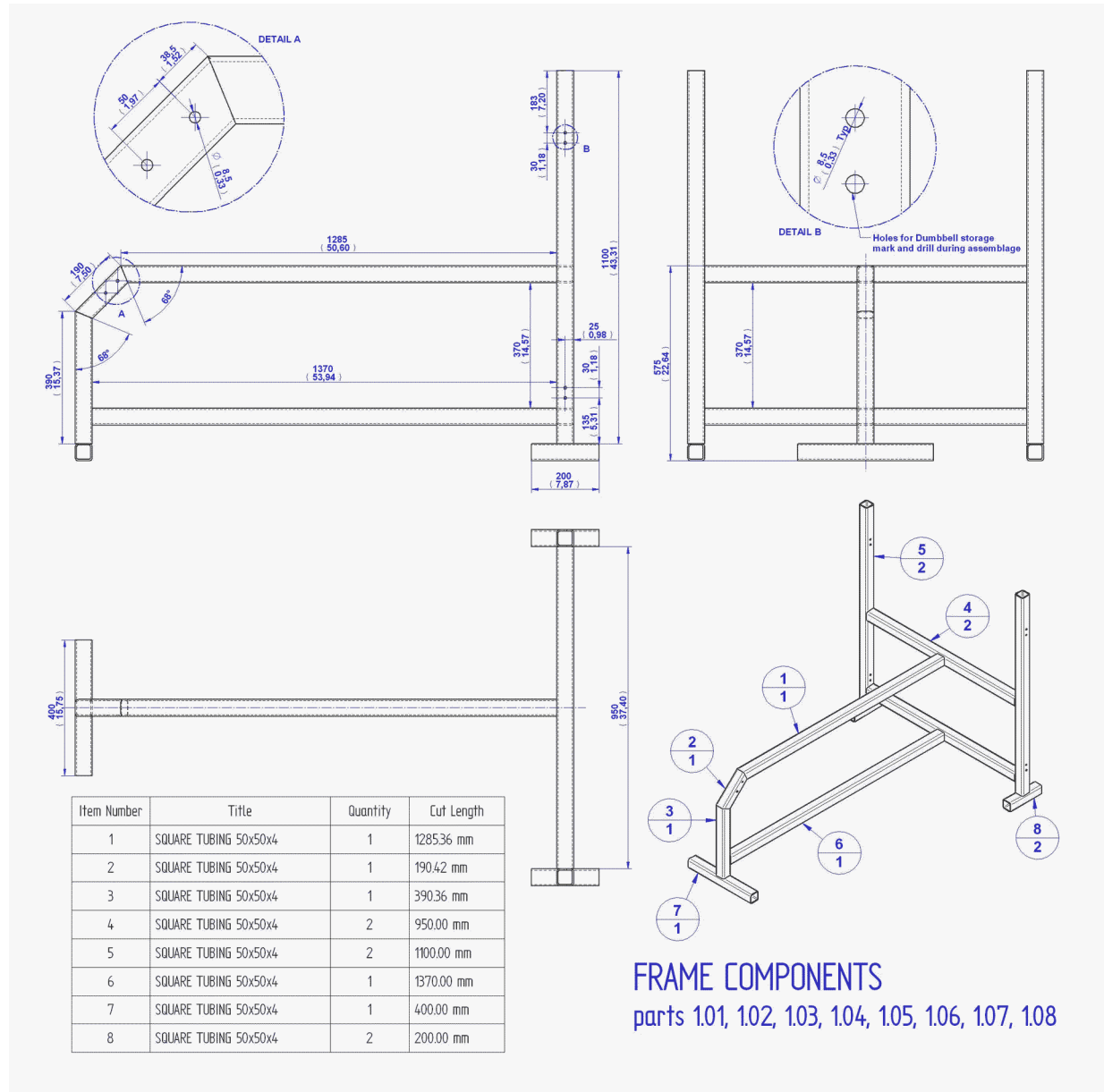
1. Flat bench sub-assembly – Parts list and 2D documentation

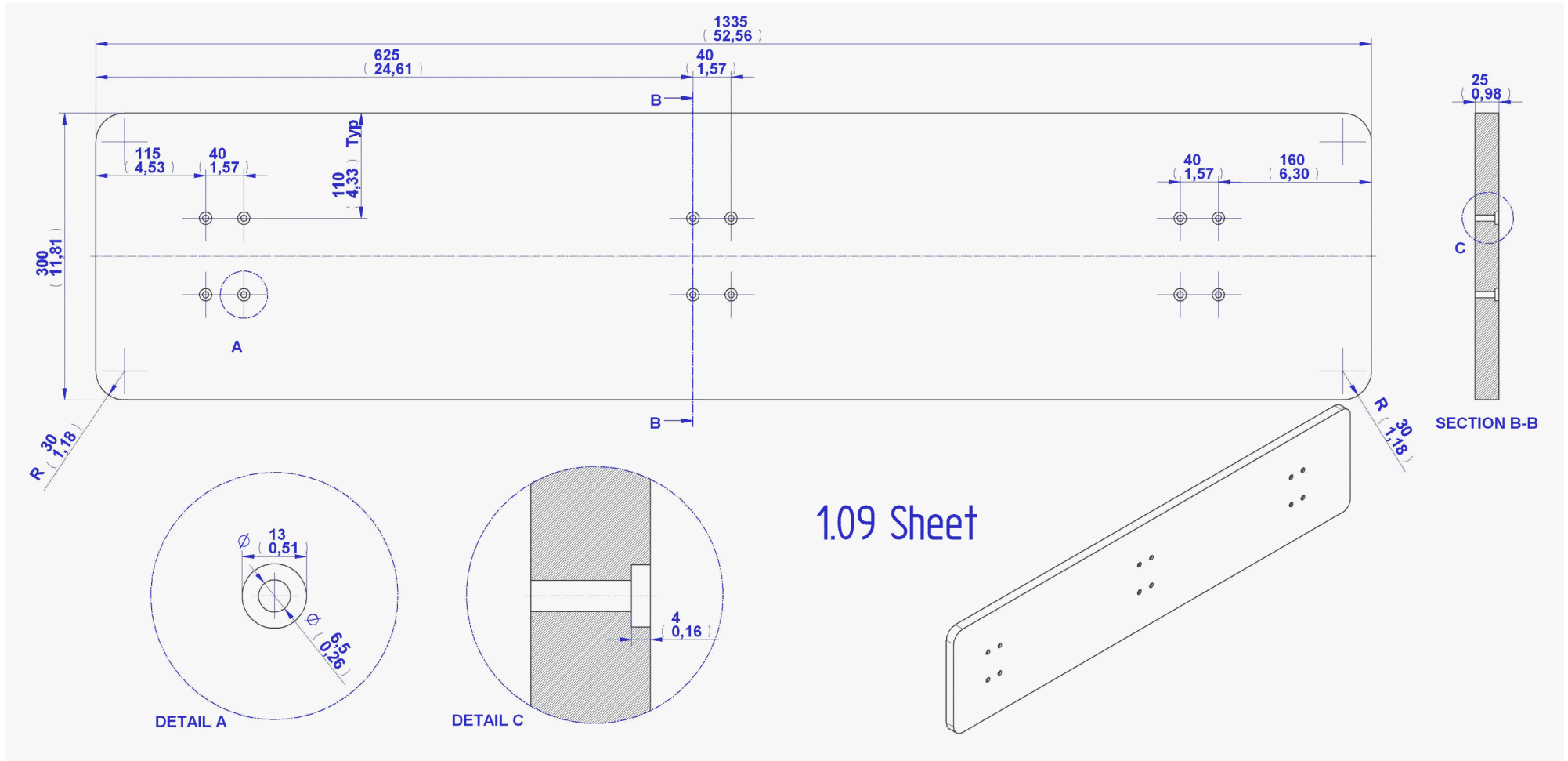
Item Number	Title	Material	Quantity	Category	Cut Length
1	SQUARE TUBING 50x50x4		1		1285.36 mm
2	SQUARE TUBING 50x50x4		1		190.42 mm
3	SQUARE TUBING 50x50x4		1		390.36 mm
4	SQUARE TUBING 50x50x4		2		950.00 mm
5	SQUARE TUBING 50x50x4		2		1100.00 mm
6	SQUARE TUBING 50x50x4		1		1370.00 mm
7	SQUARE TUBING 50x50x4		1		400.00 mm
8	SQUARE TUBING 50x50x4		2		200.00 mm
9	Sheet	Wood	1		
10	Dumbbell Holder	Steel	2		
11	Cover 50x50mm	Steel	6		
12	Sheet Support	Steel	6		
13	Triangle support	Steel	6		
14	Slotted Pan Head Screw M6x35mm	Steel	12	Standard Part	
15	Spring Lock Washer A-6	Steel	12	Standard Part	
16	Hexagon Nut M6	Steel	12	Standard Part	



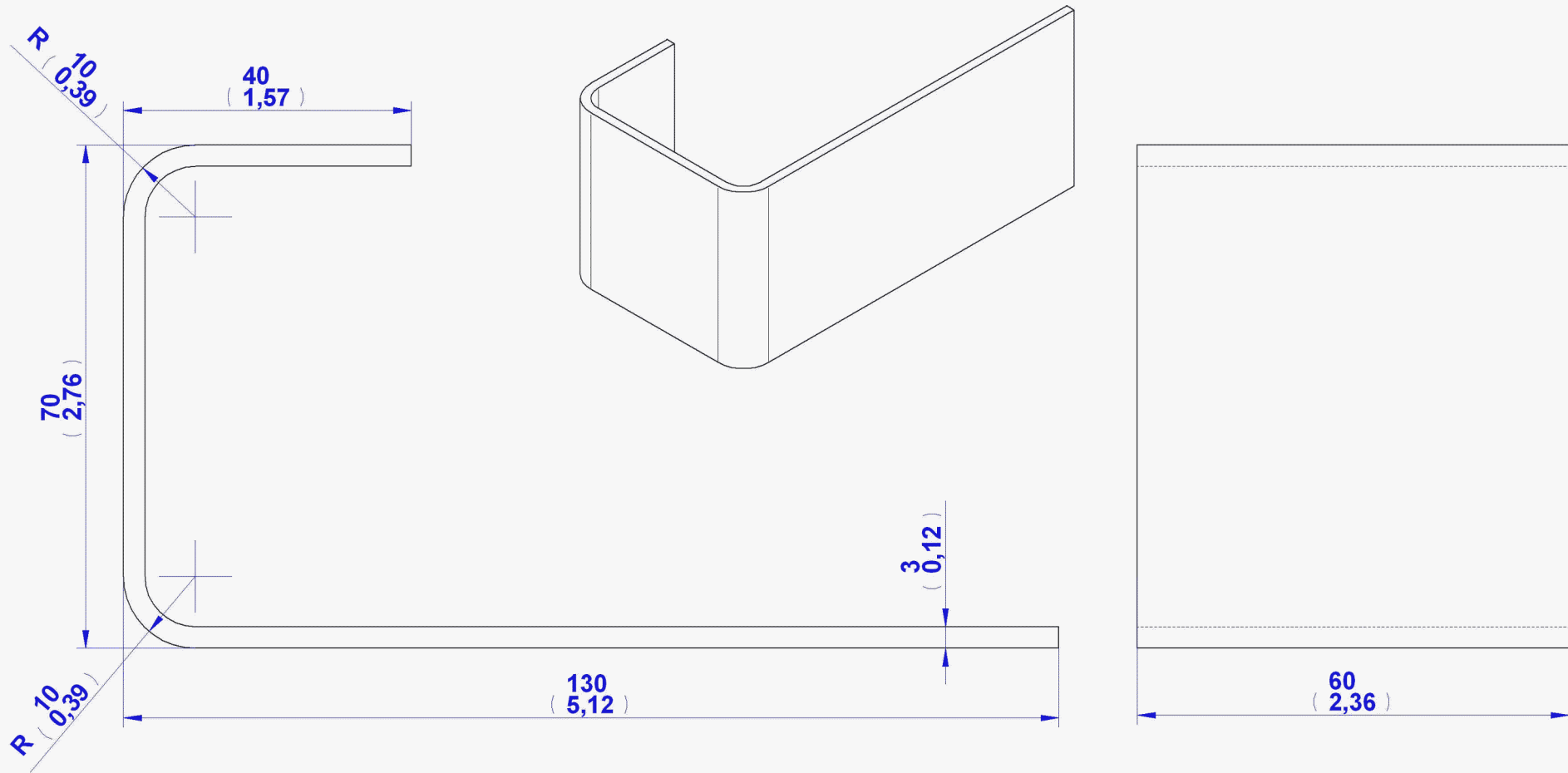


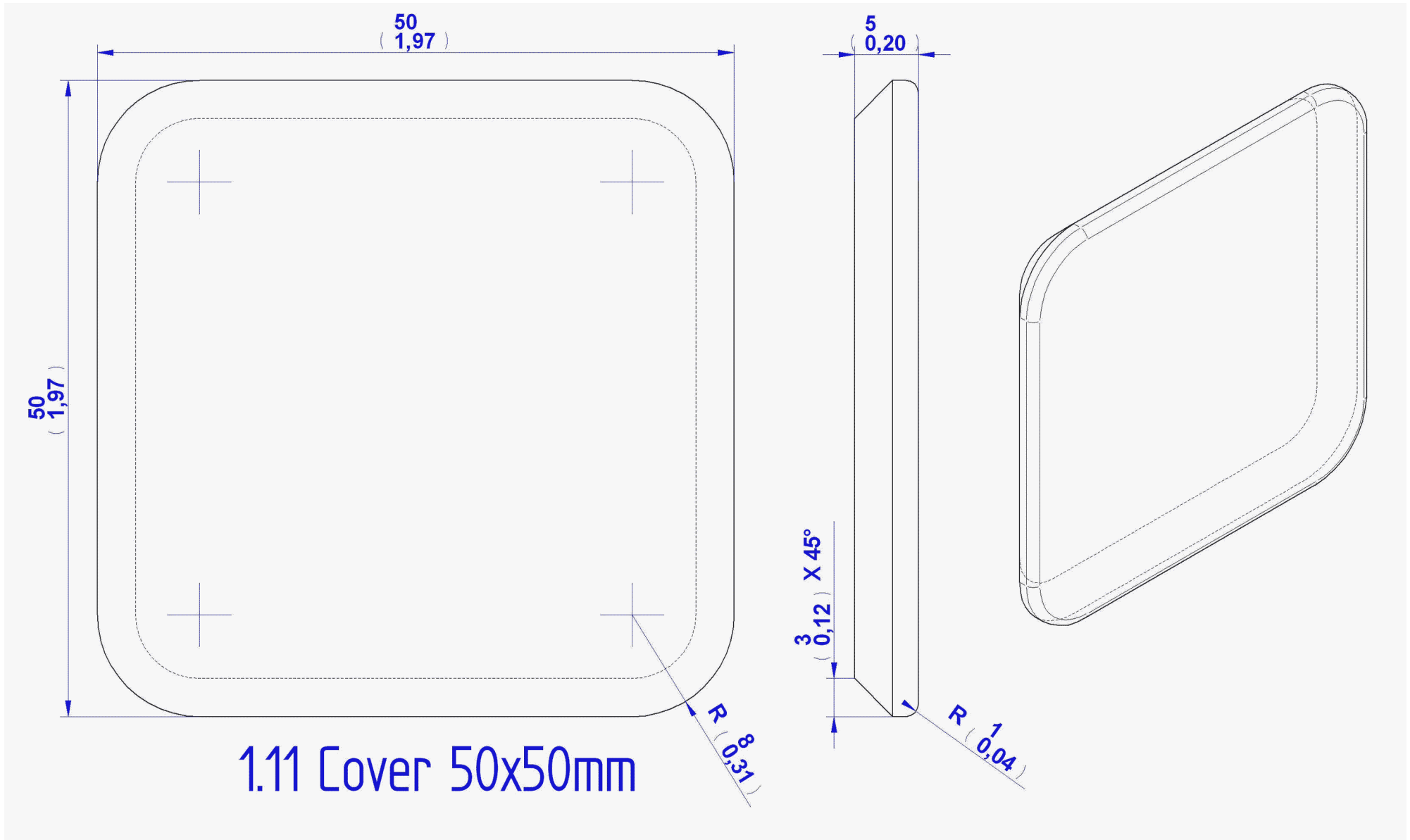
Frame Components

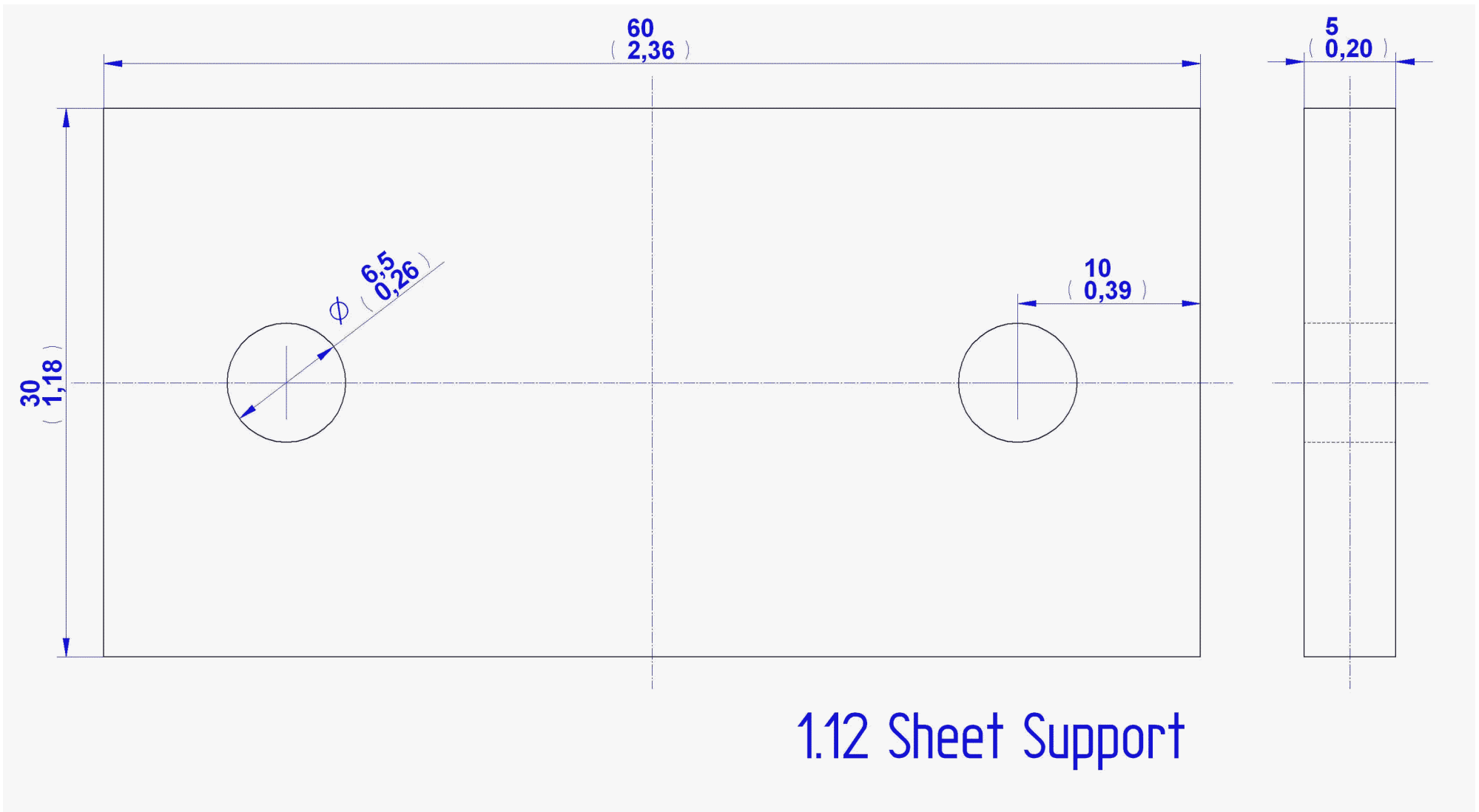


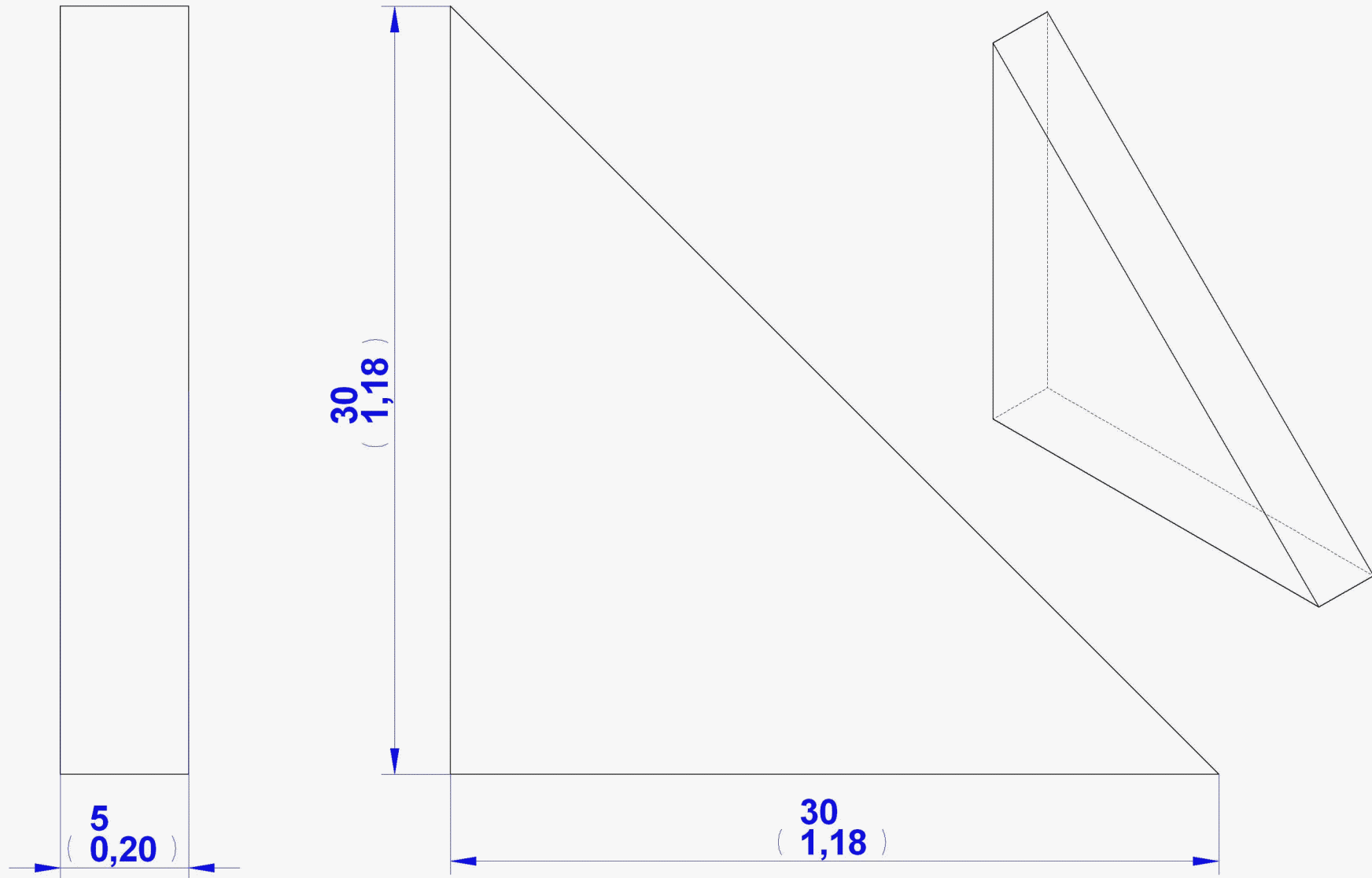


1.10 Dumbbell Holder



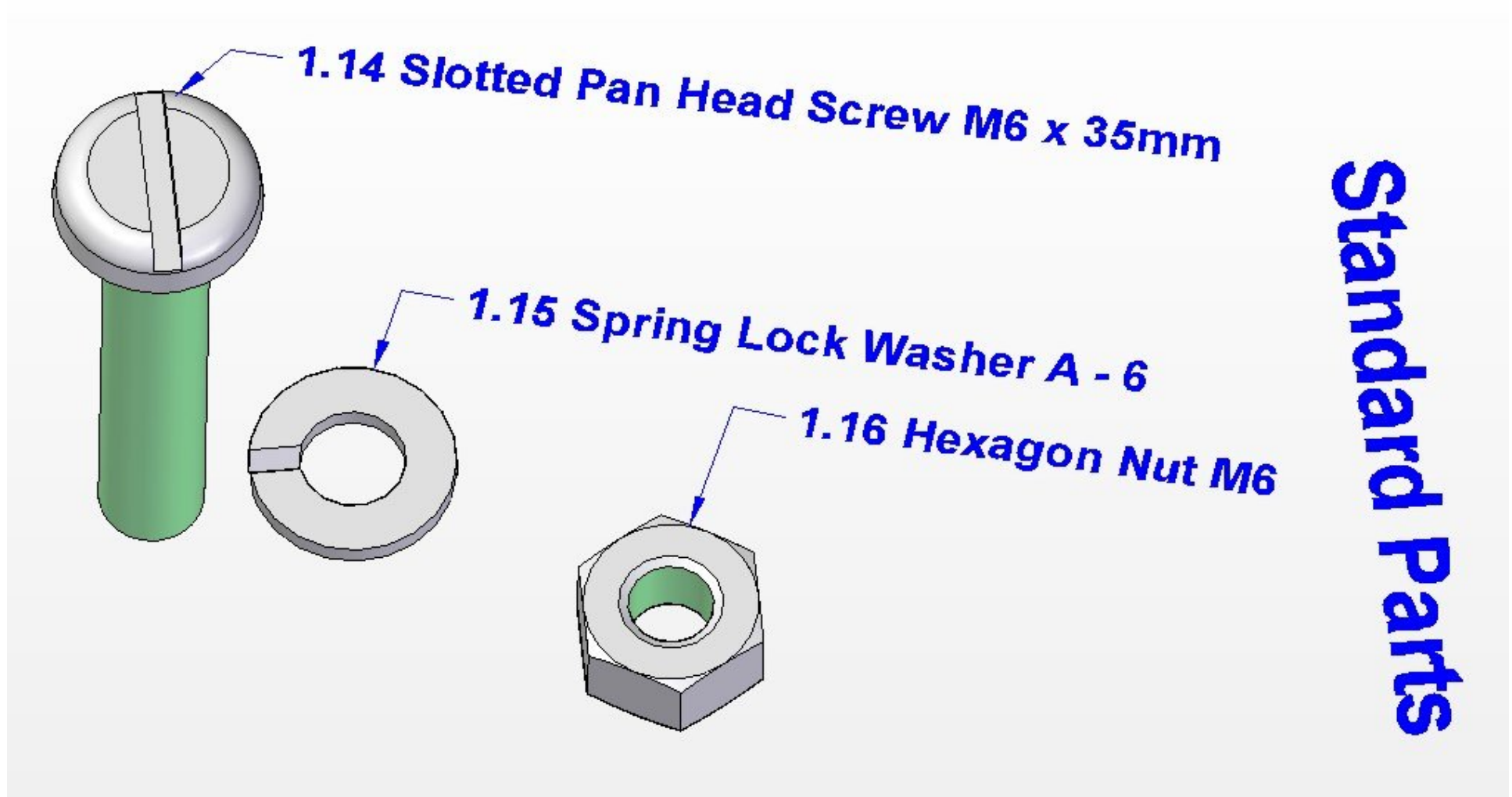




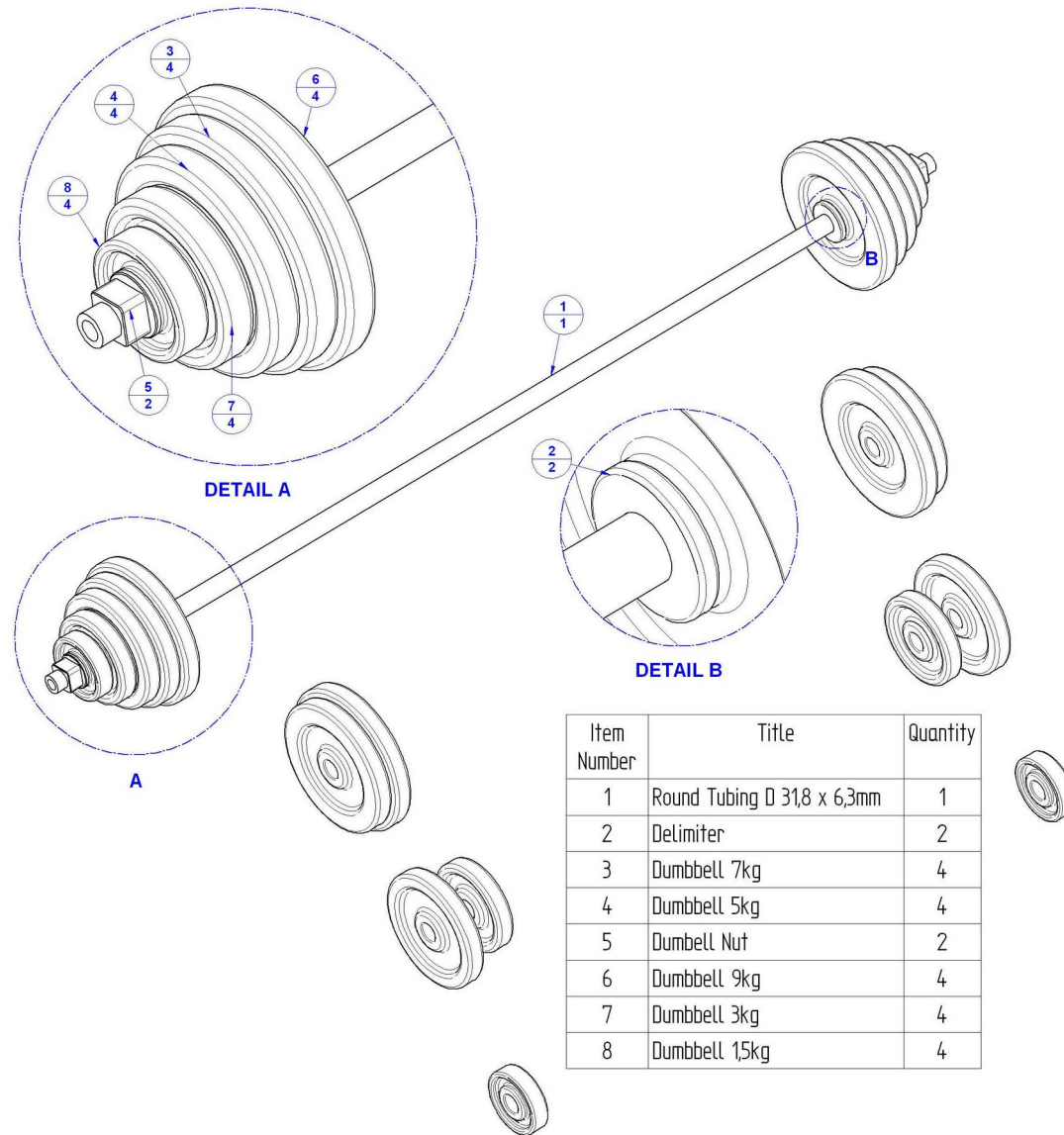


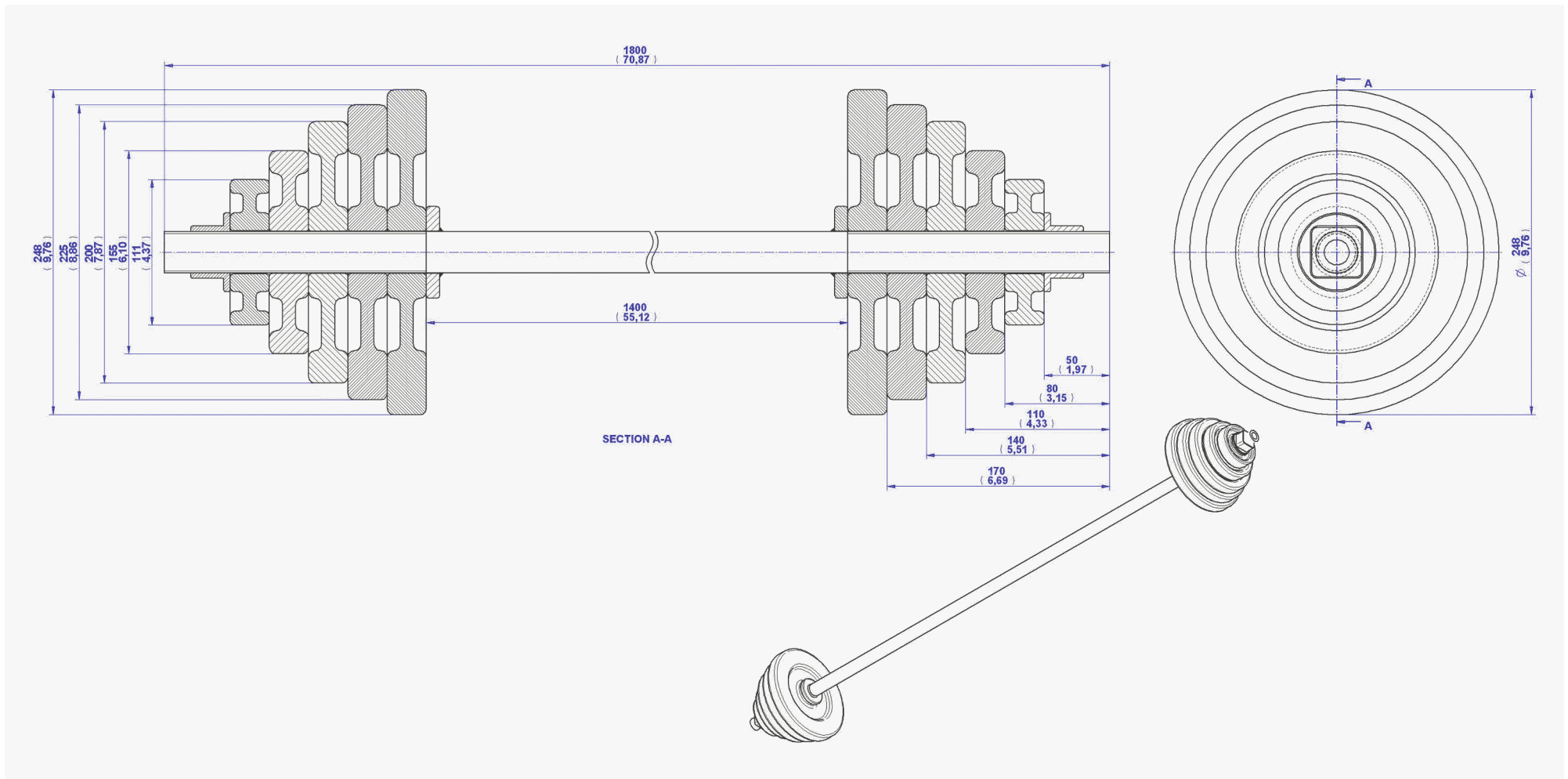
1.13 Triangle Support

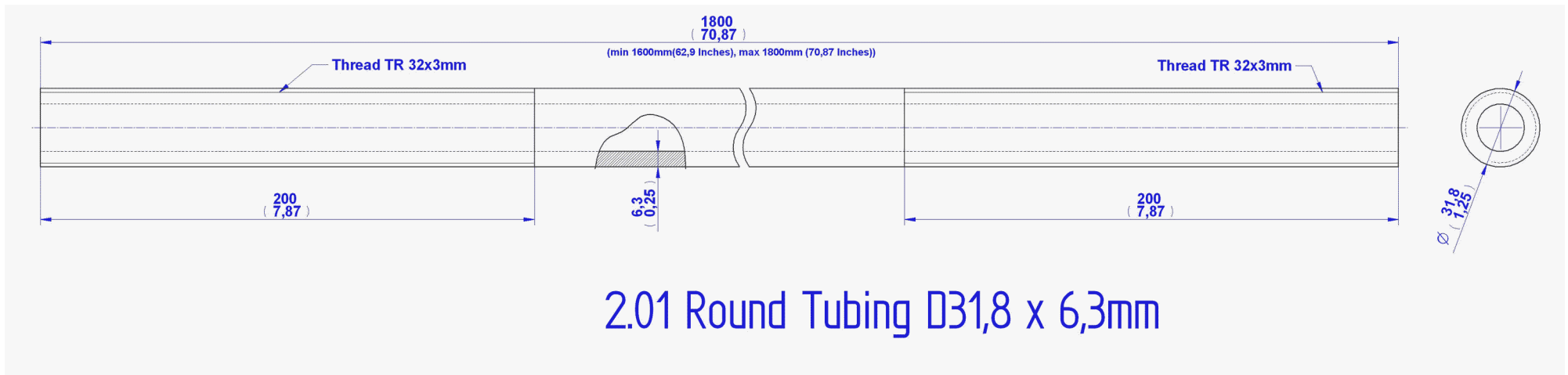
Standard Parts

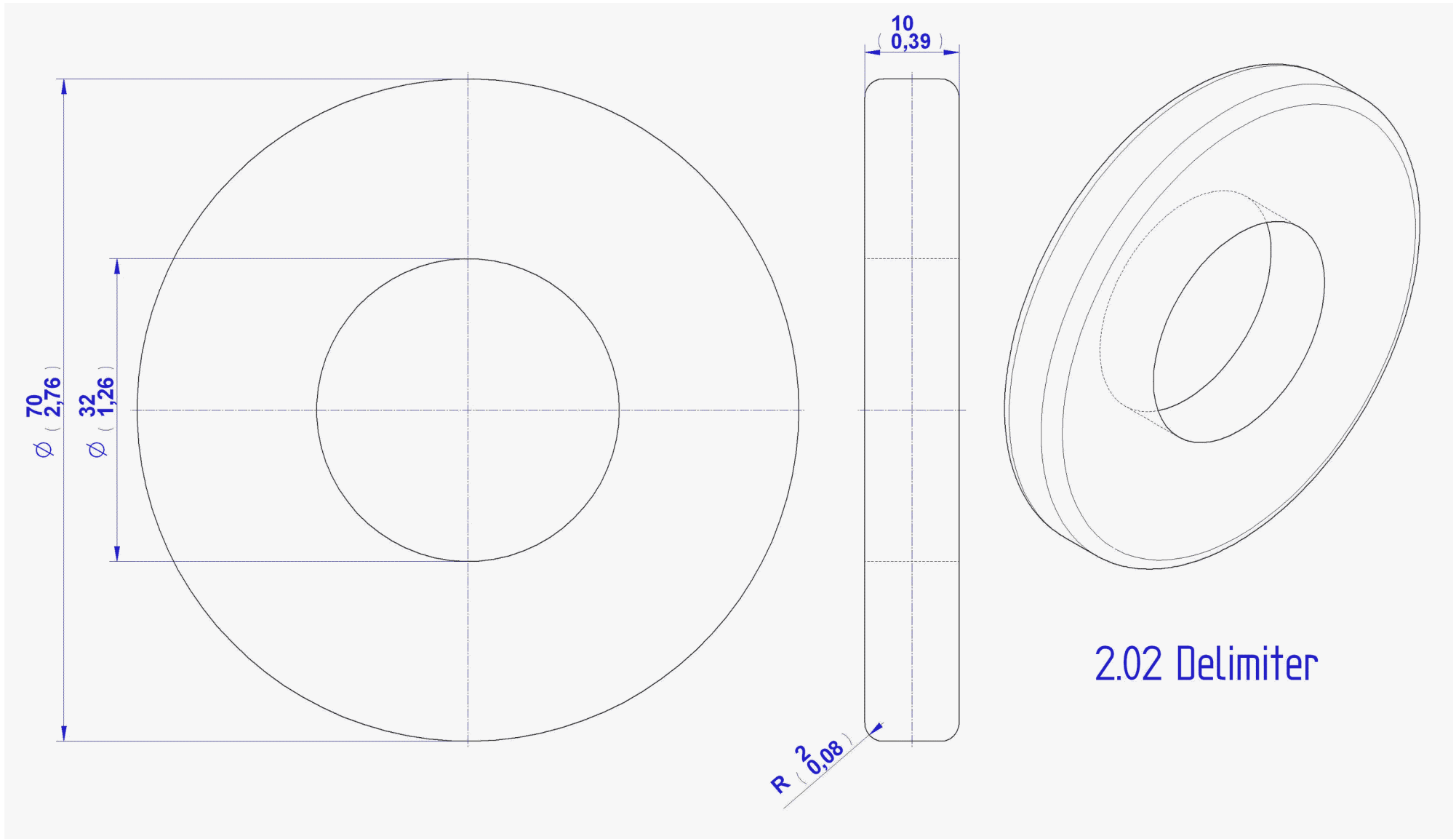


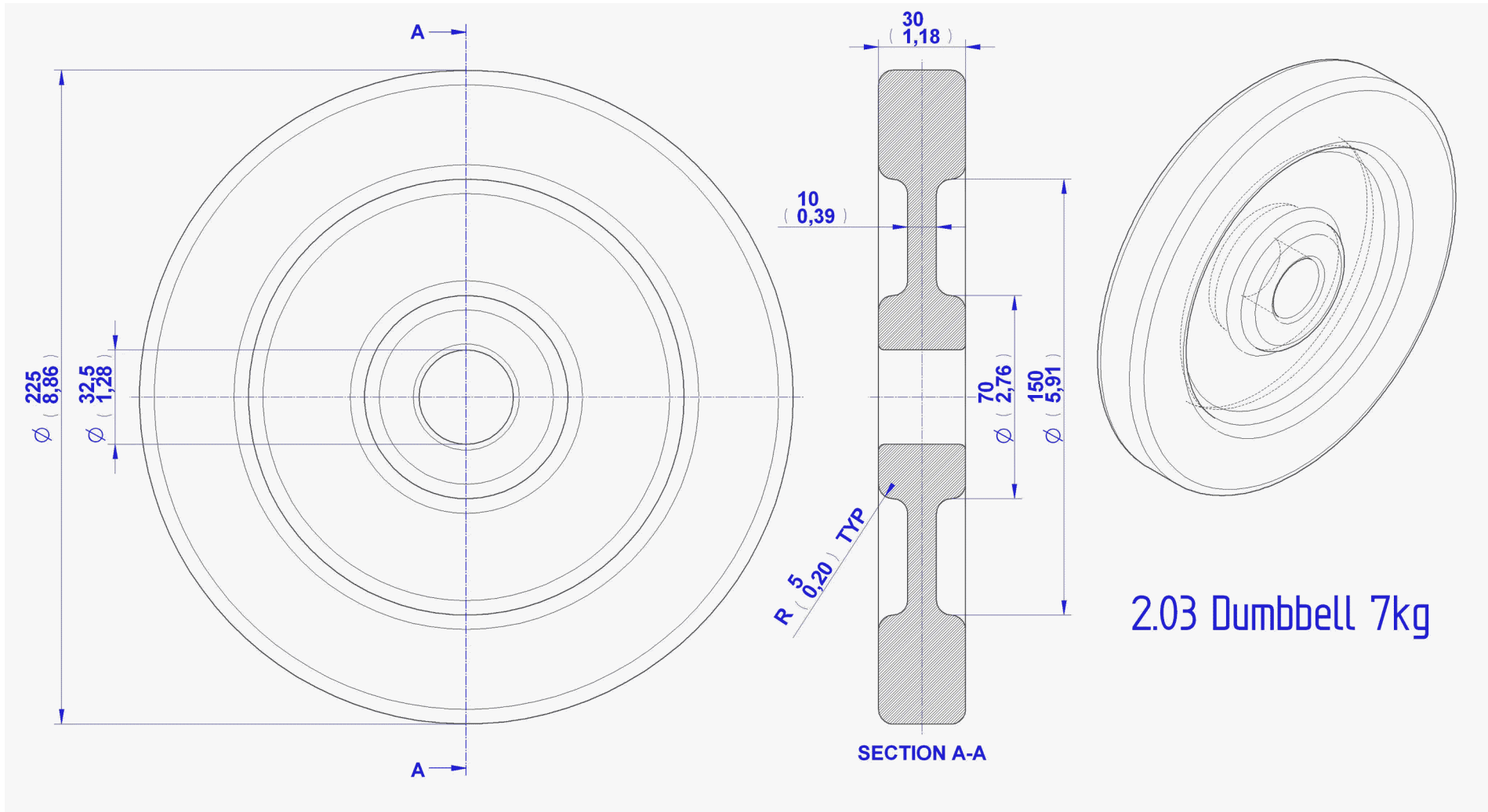
2. Weight Set Sub-assembly – Parts List and 2D Documentation

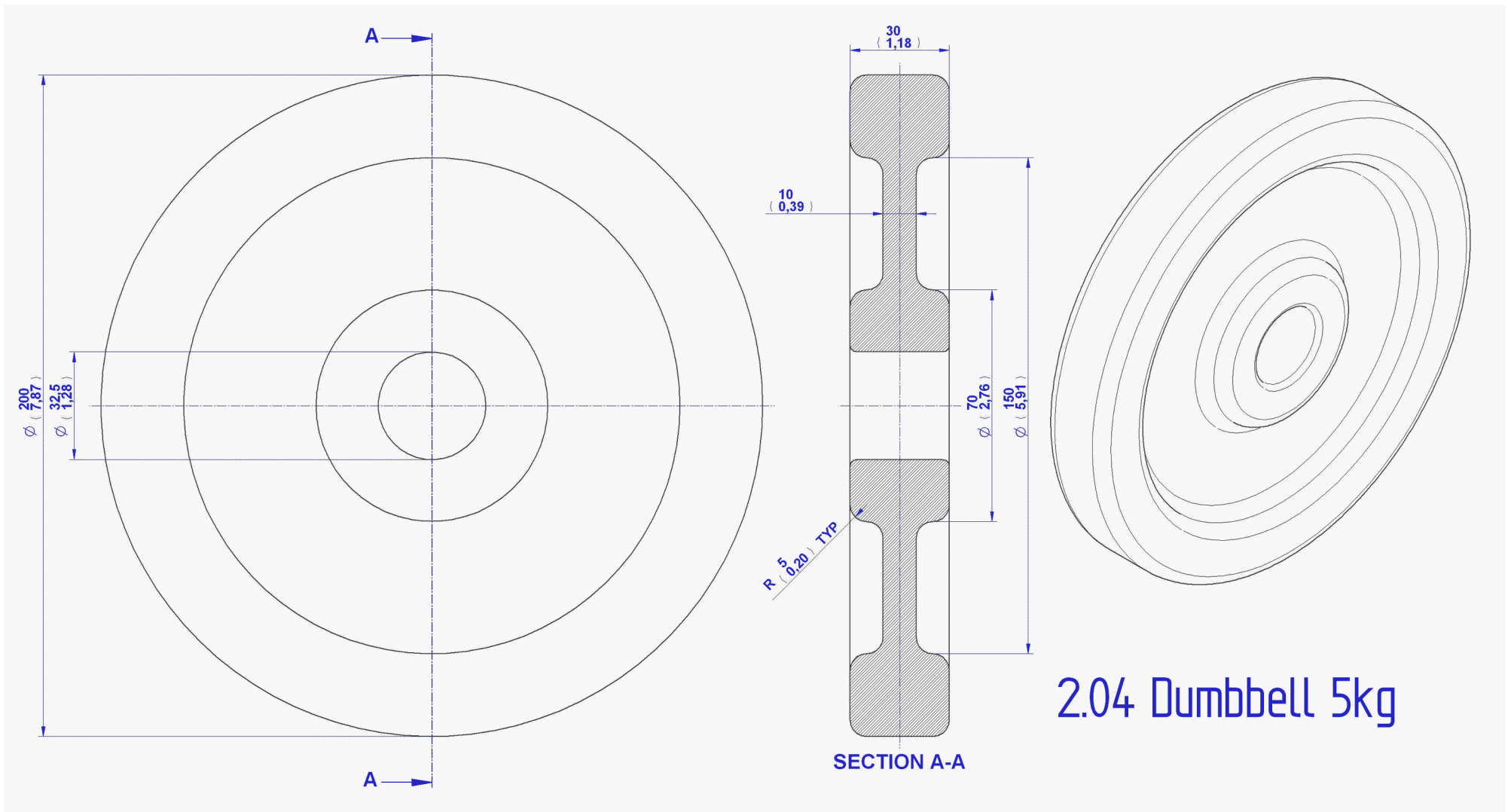


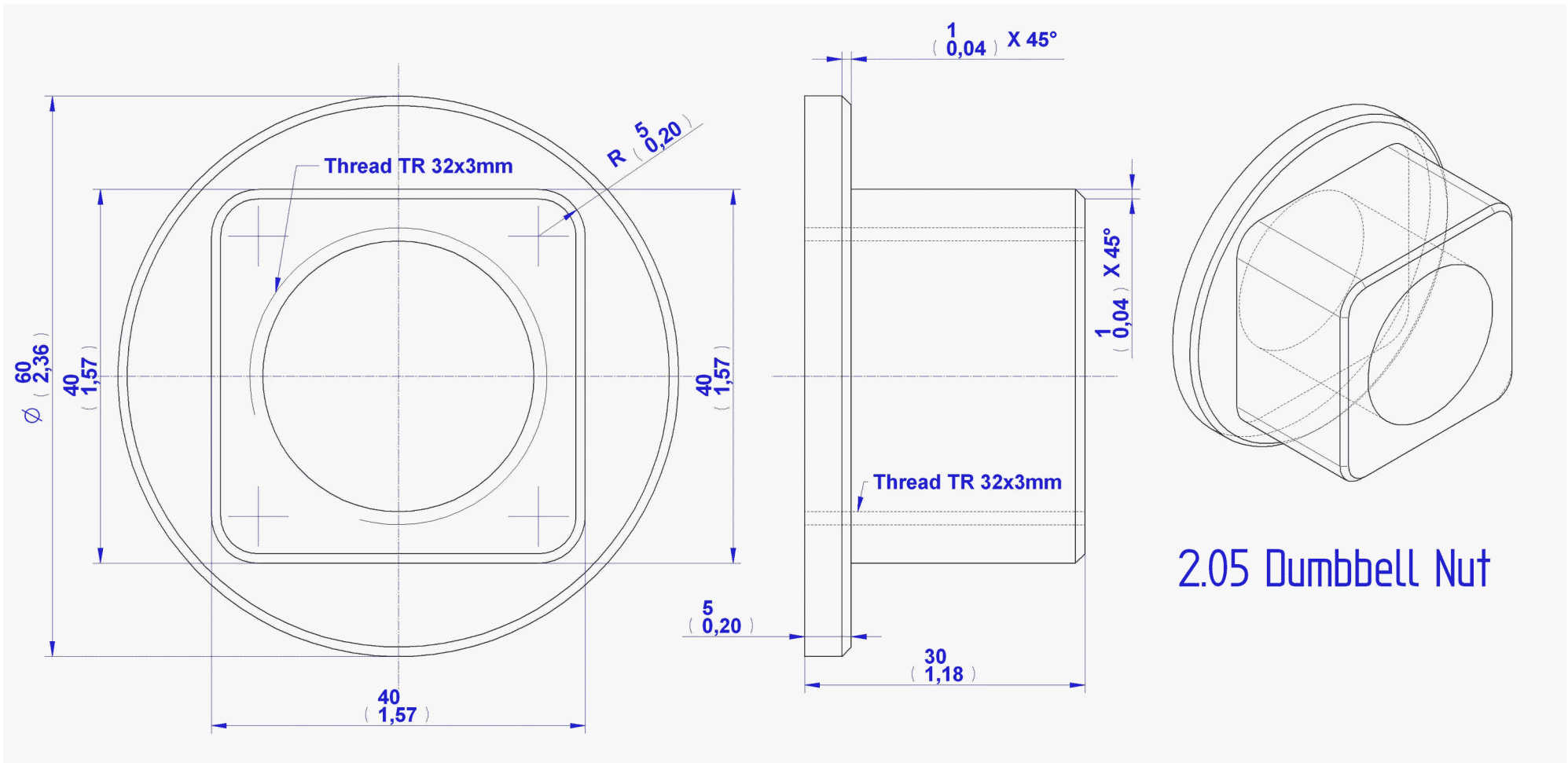


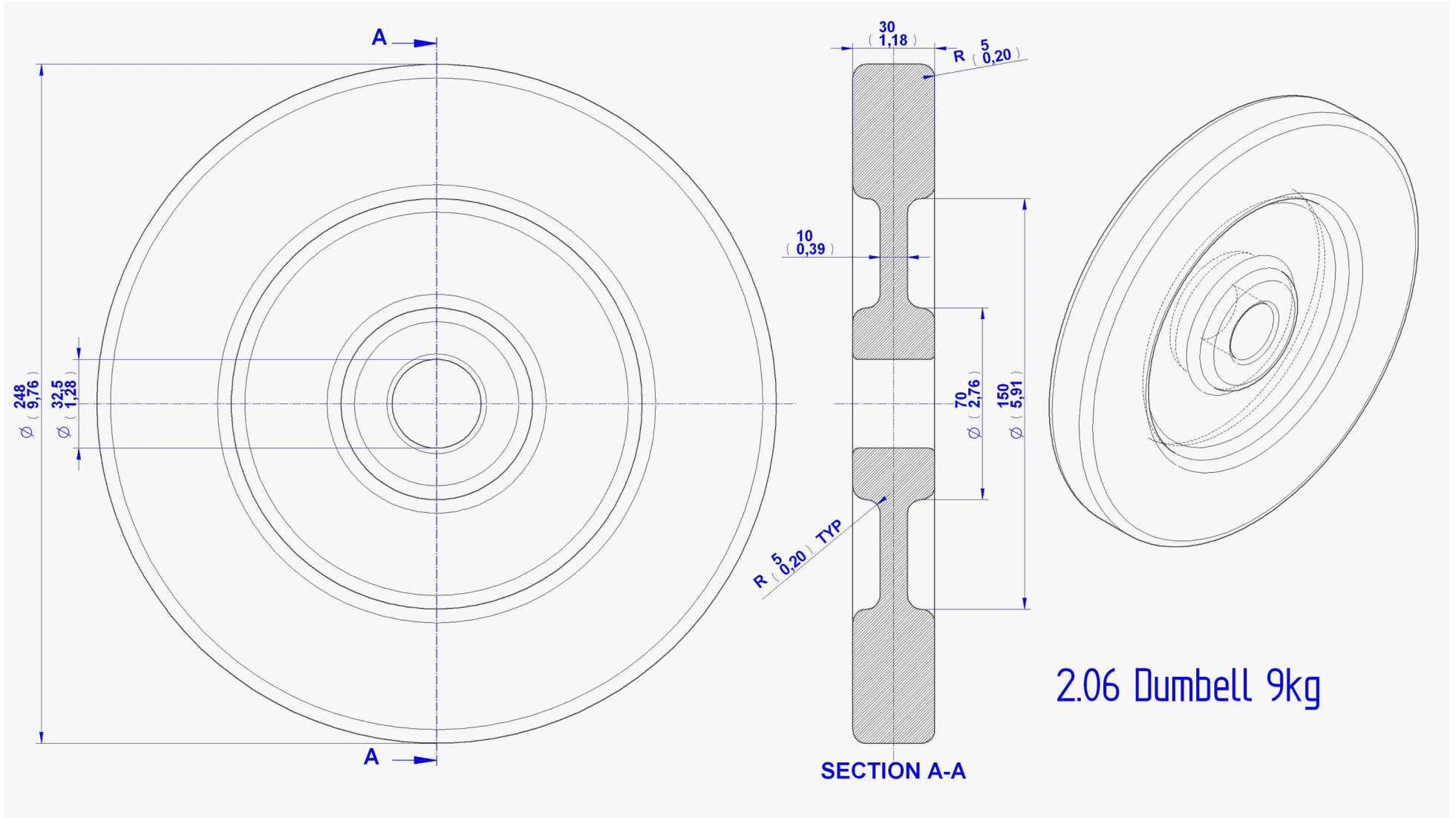


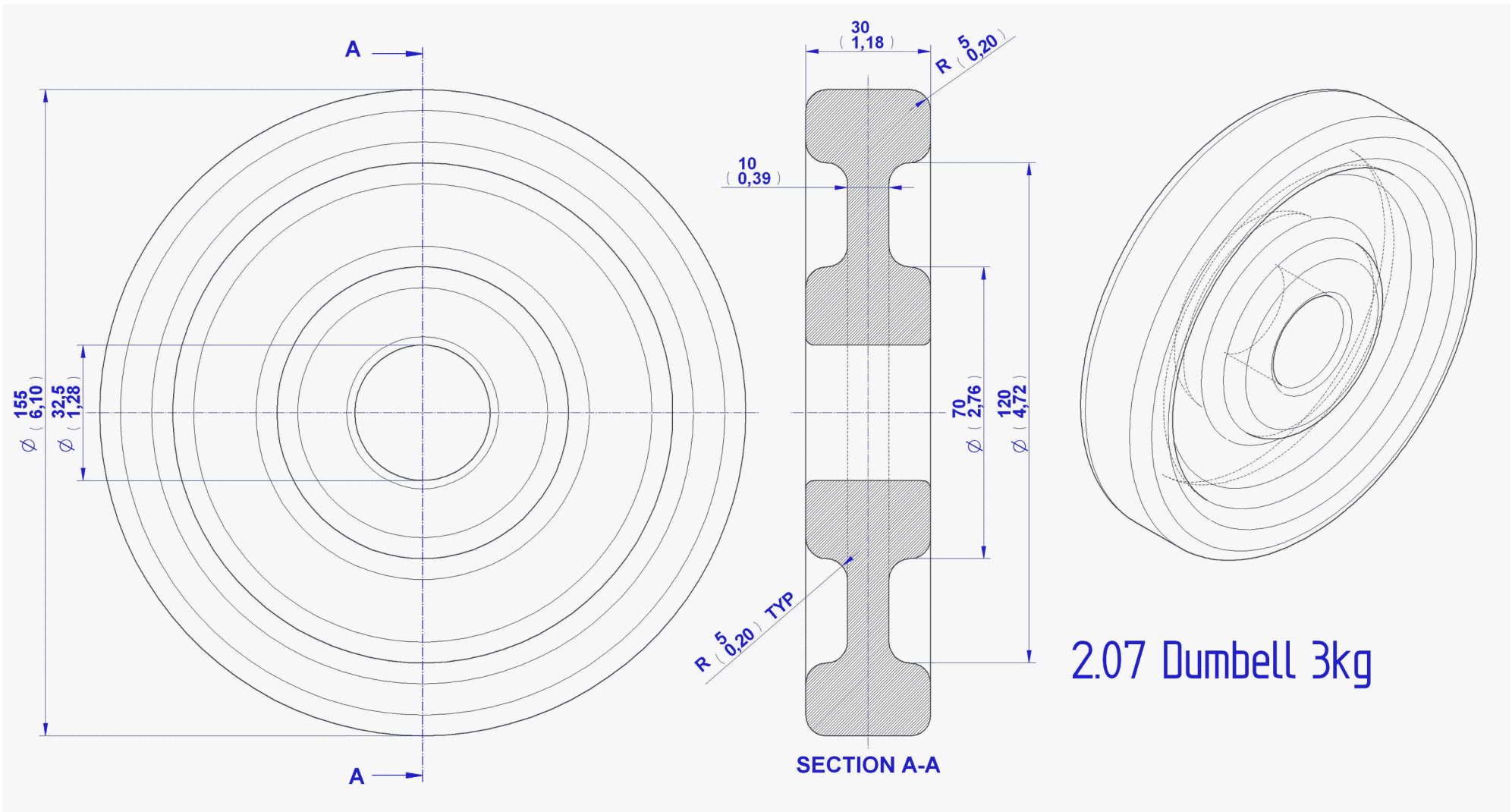


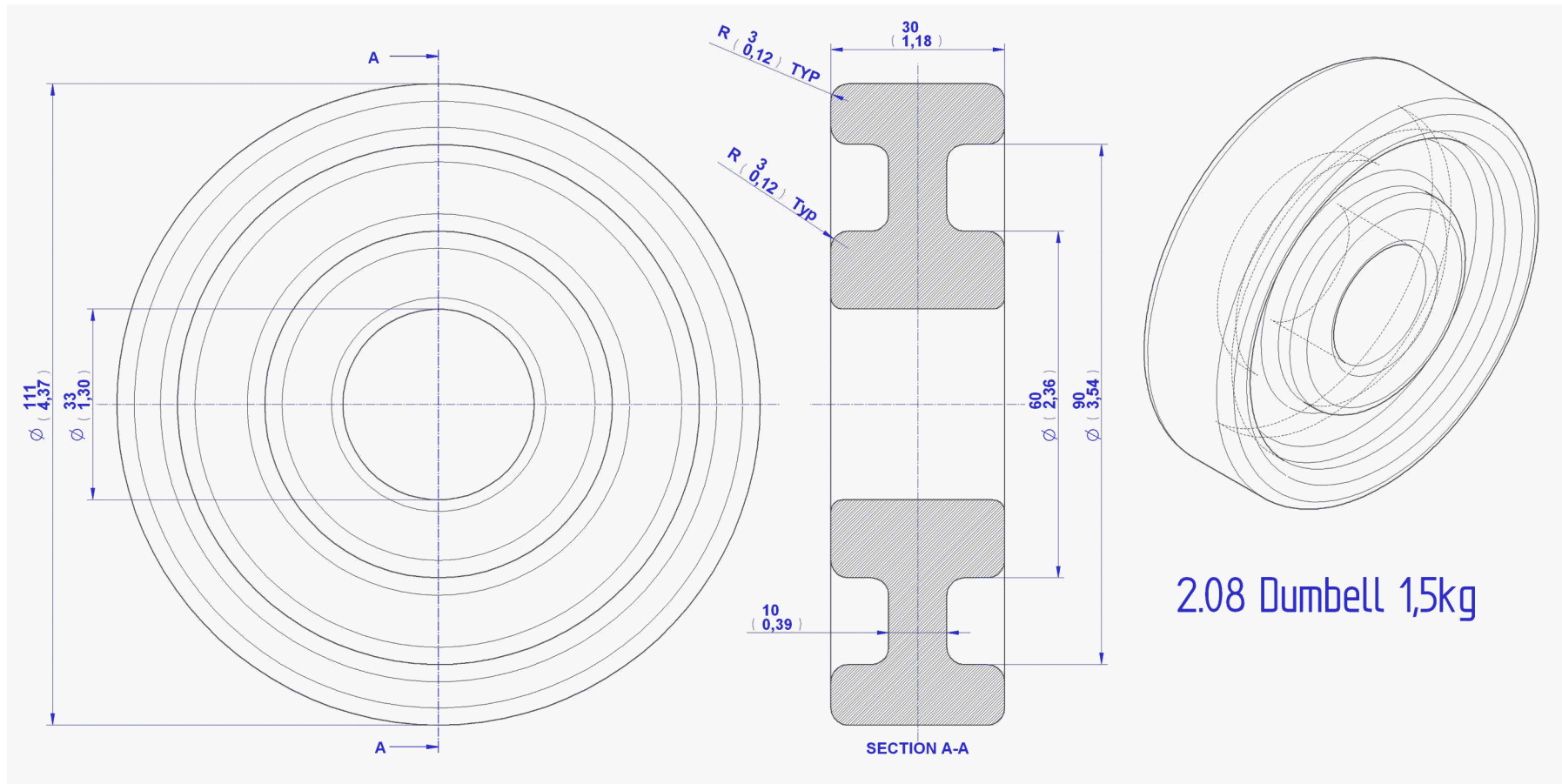




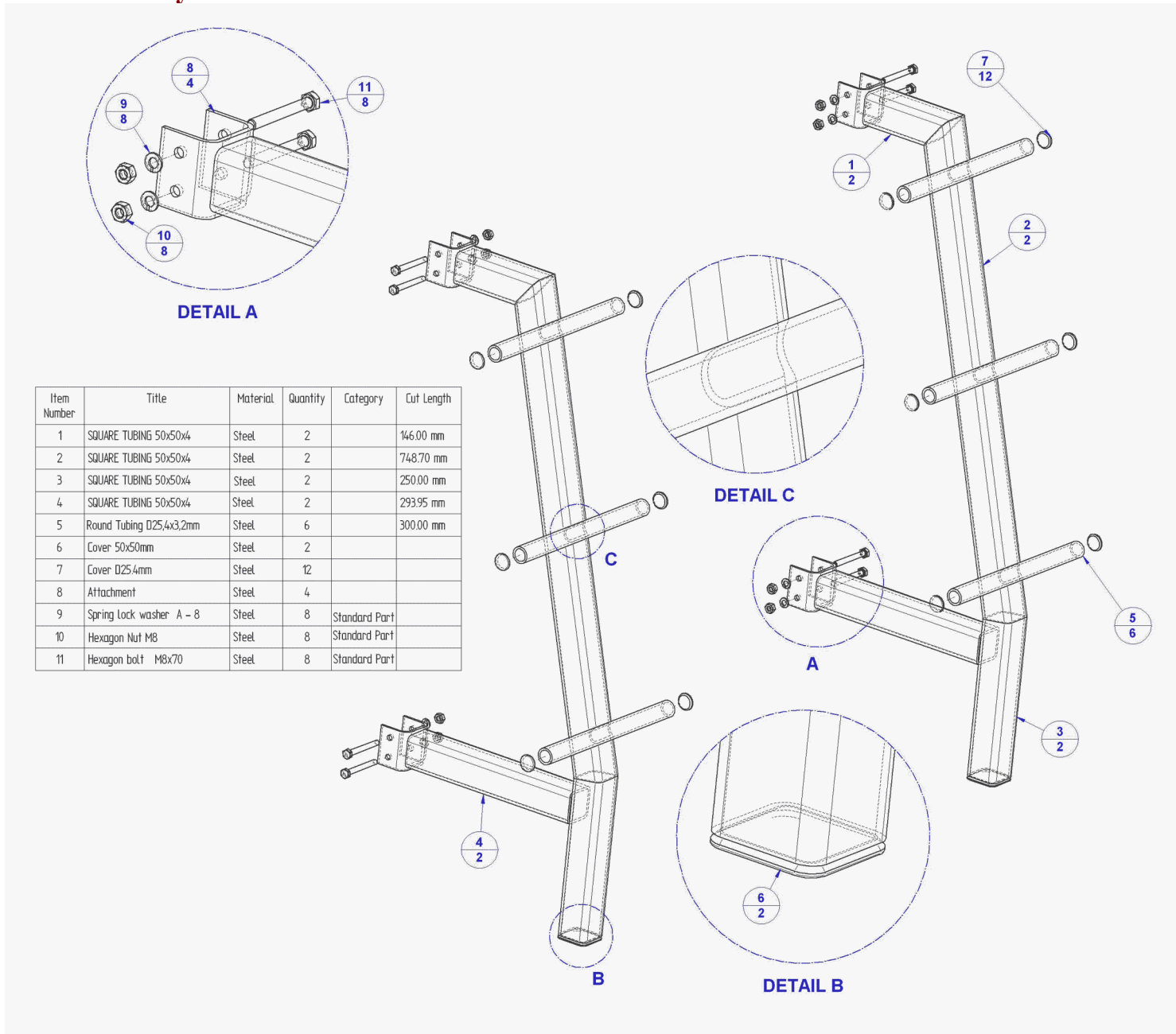


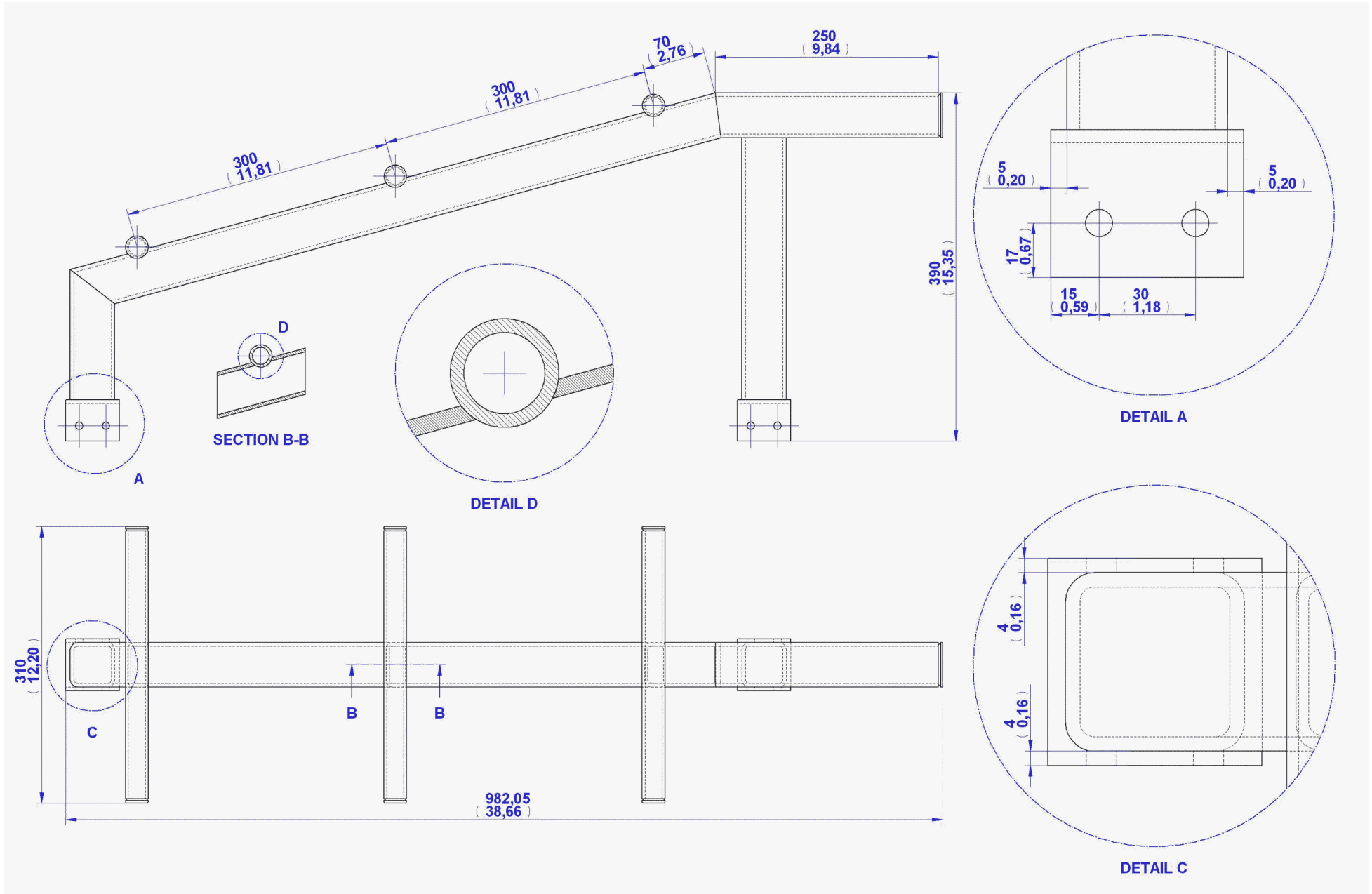




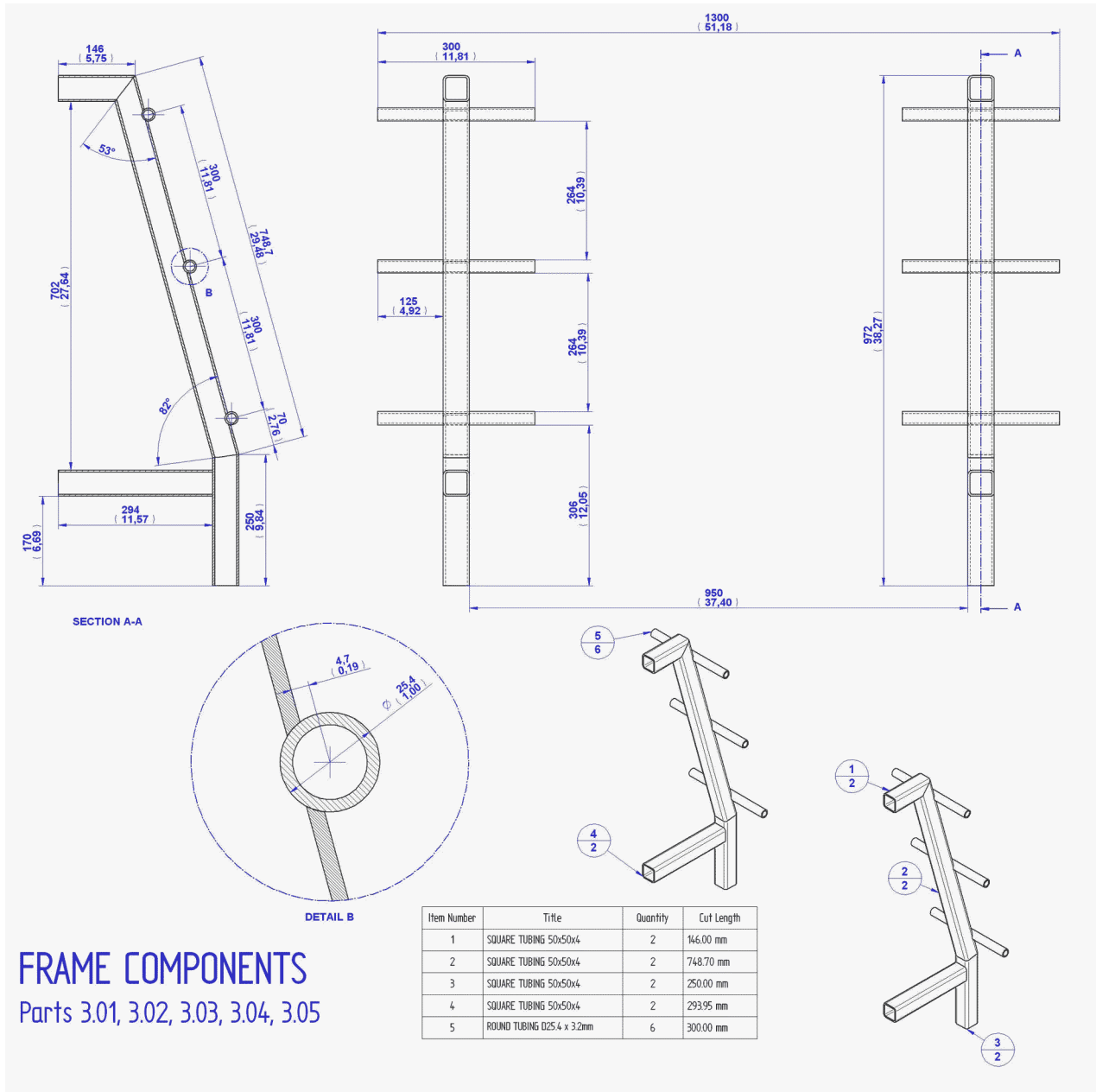


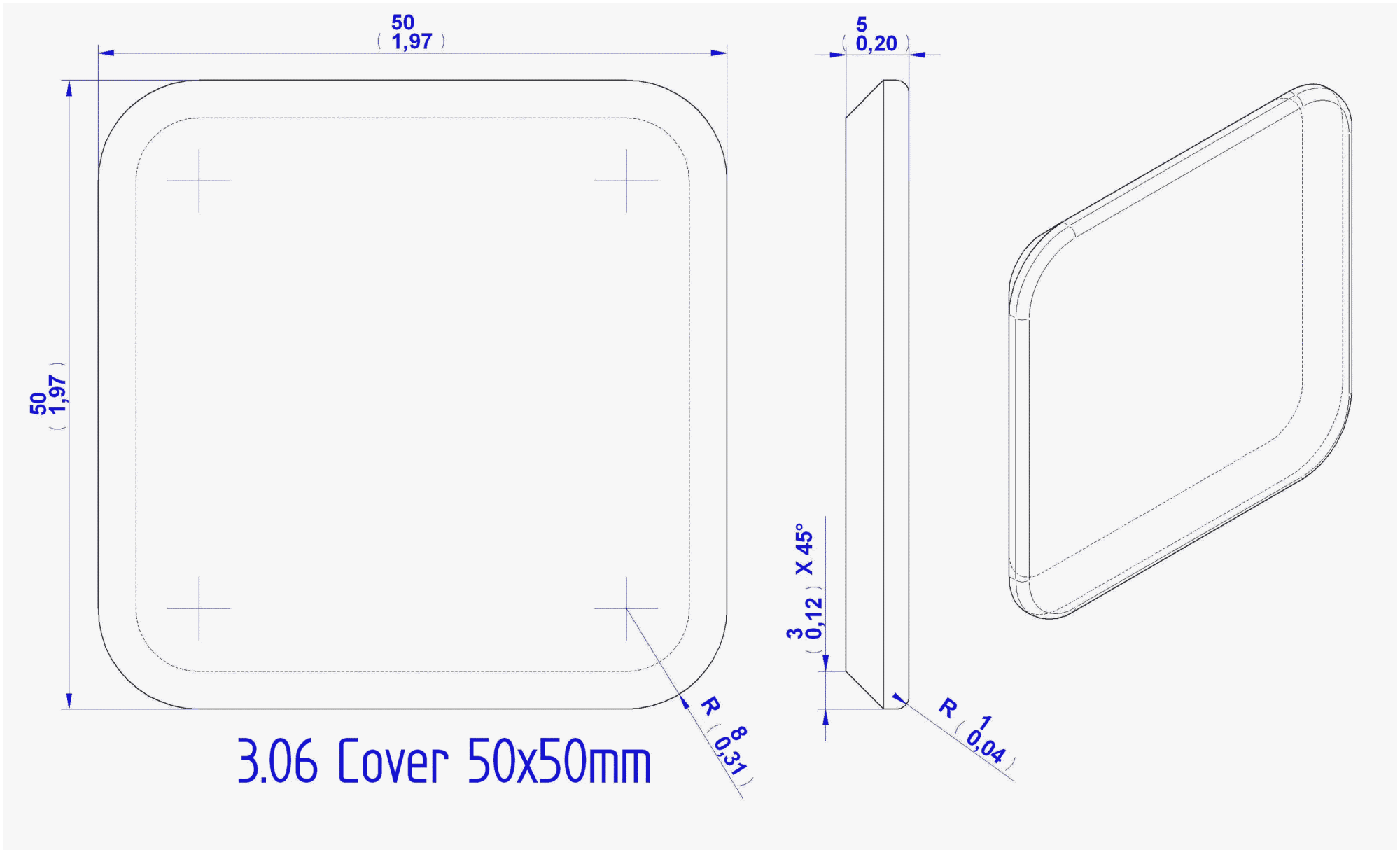
3. Plate storage sub-assembly – Parts list and 2D documentation

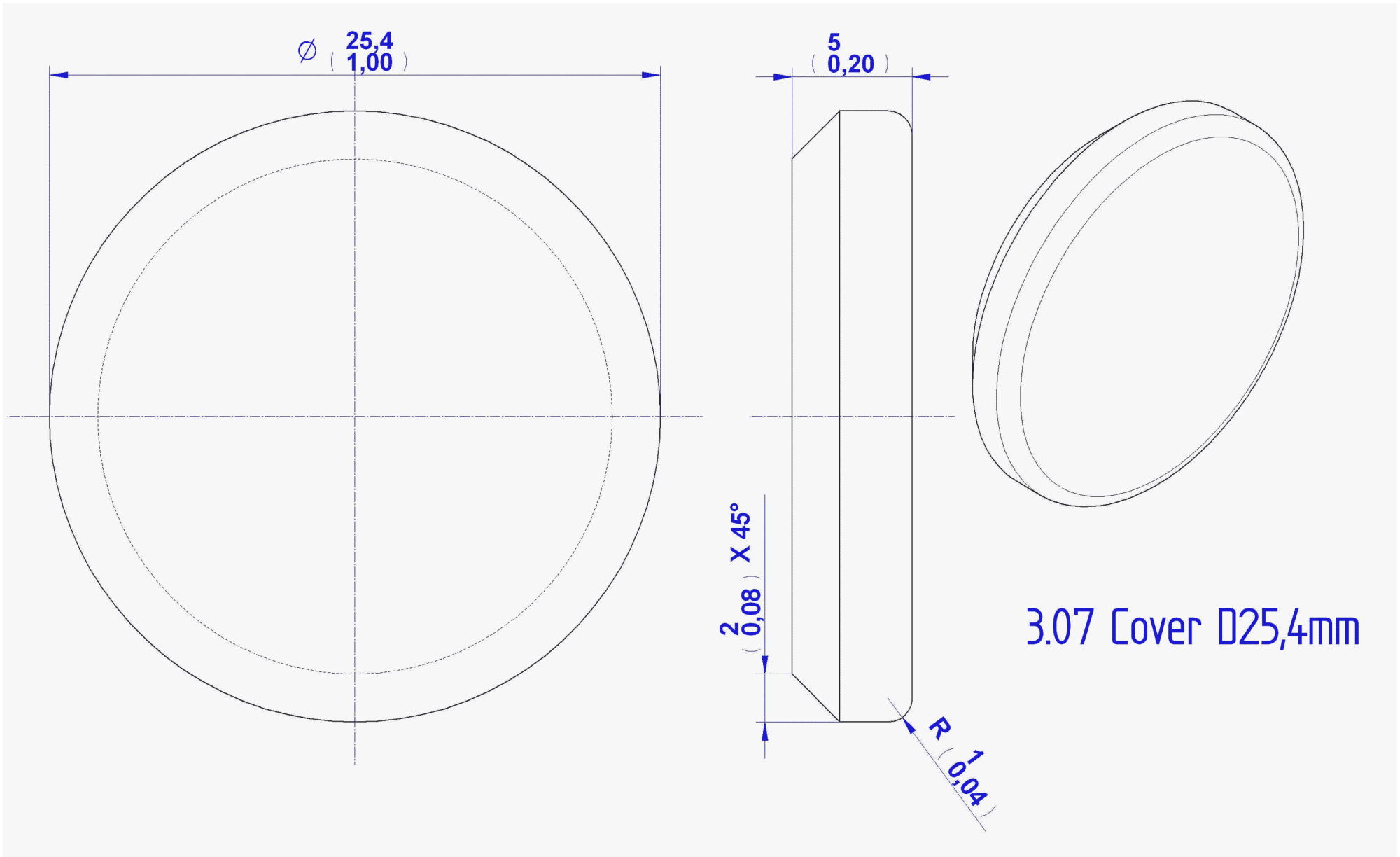


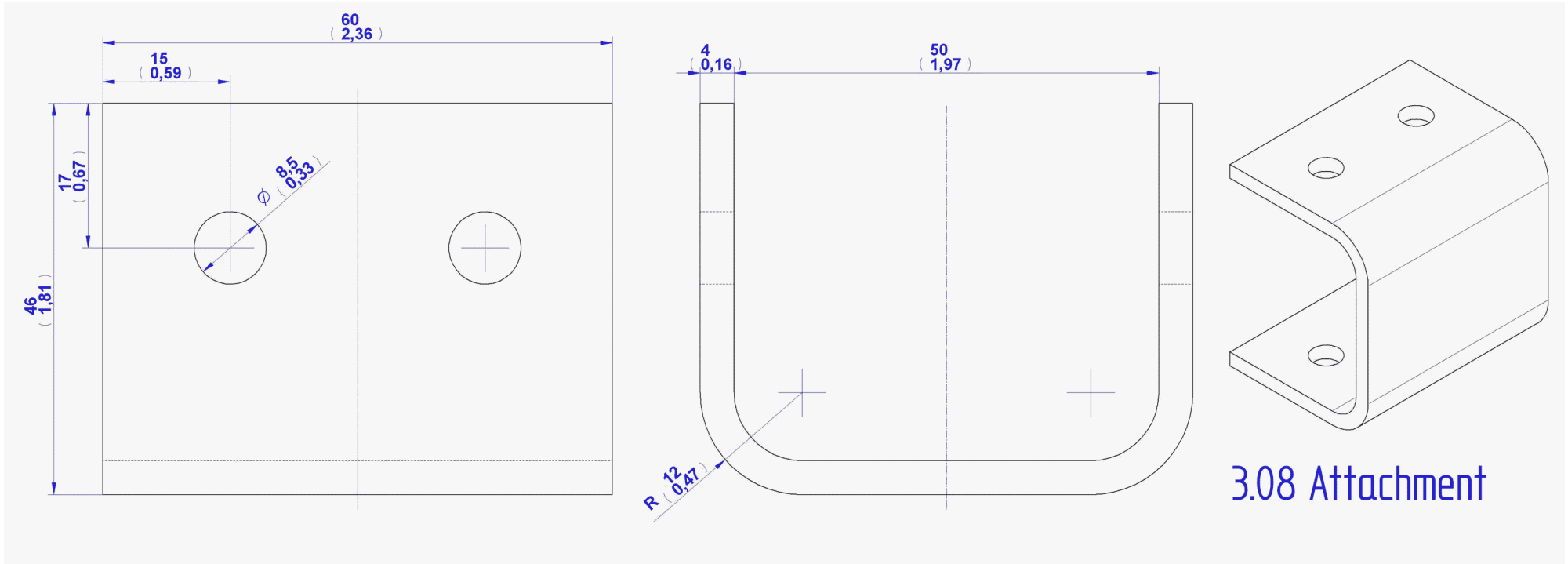


Frame Components

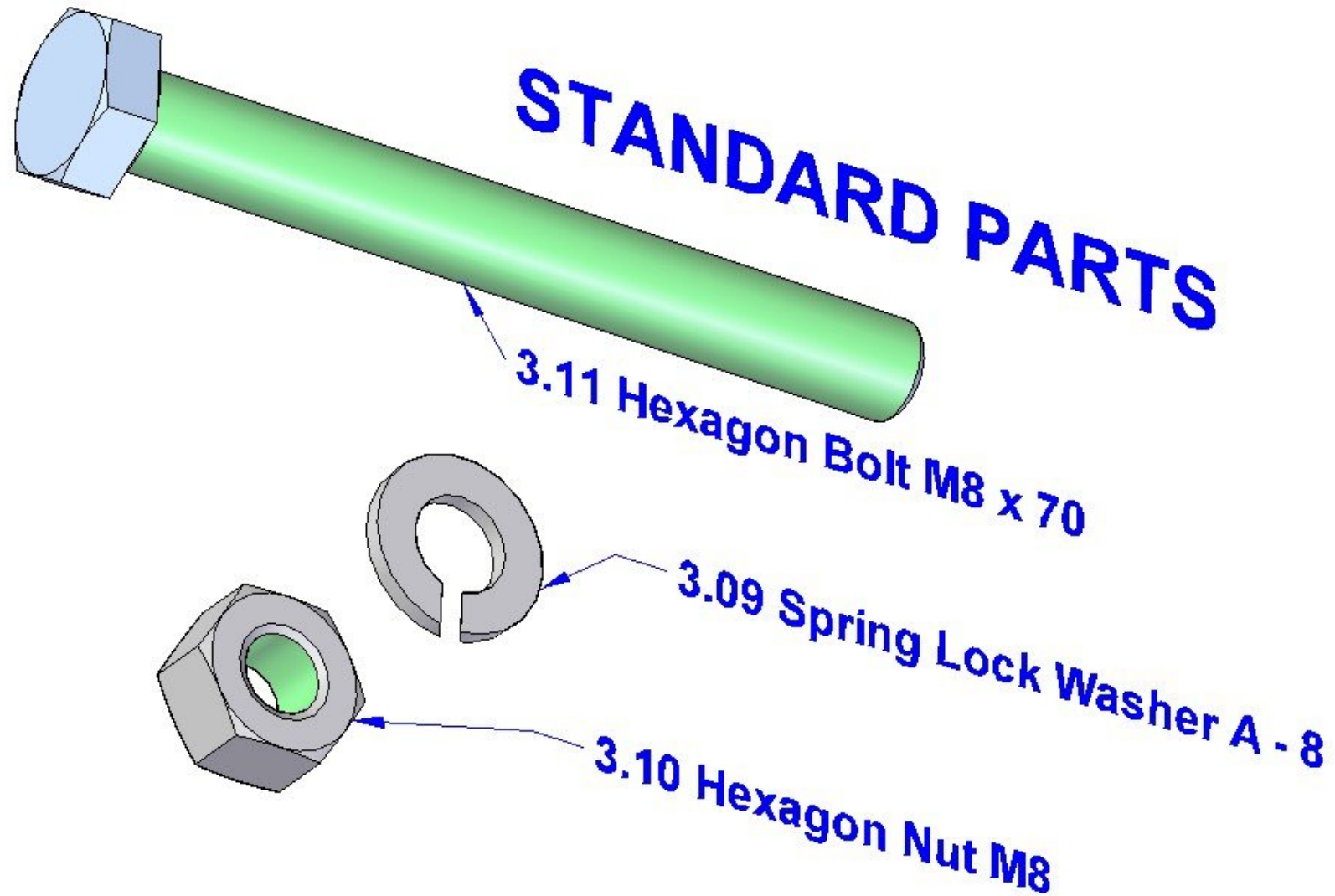








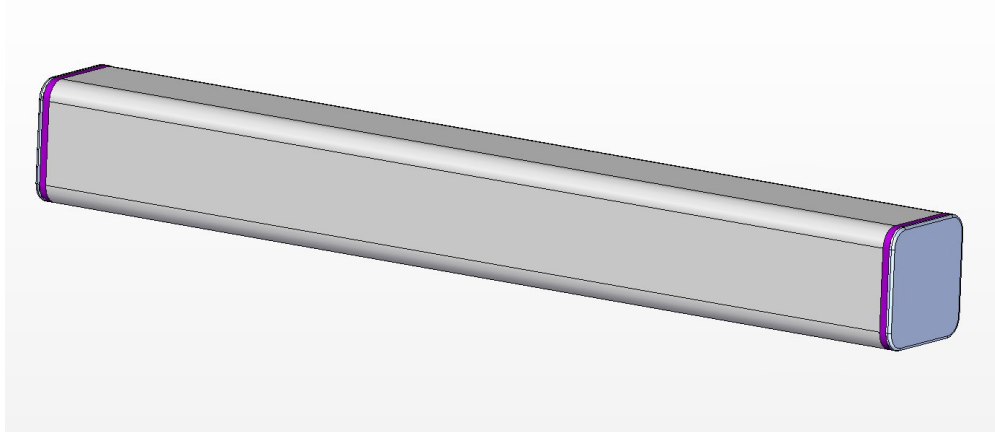
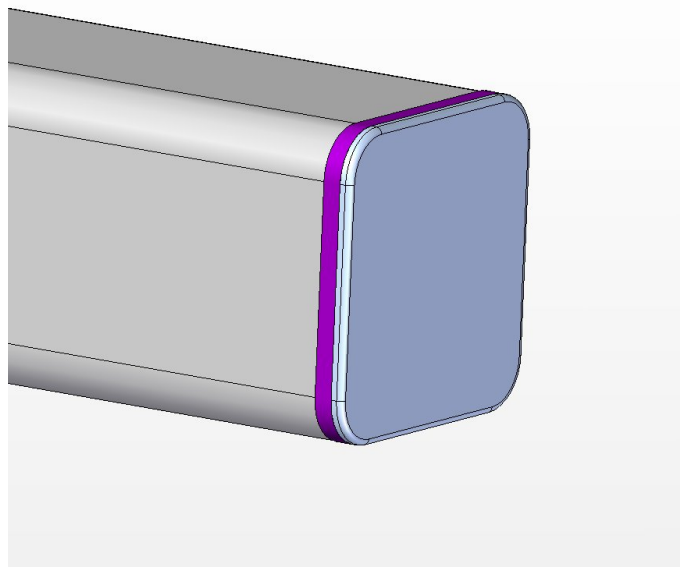
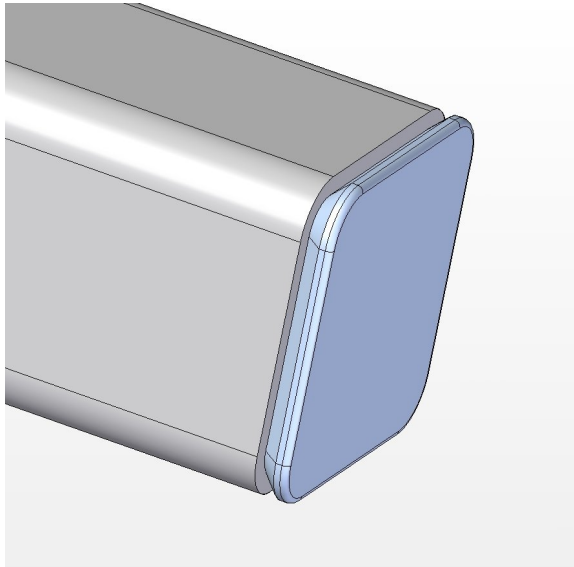
Standard Parts



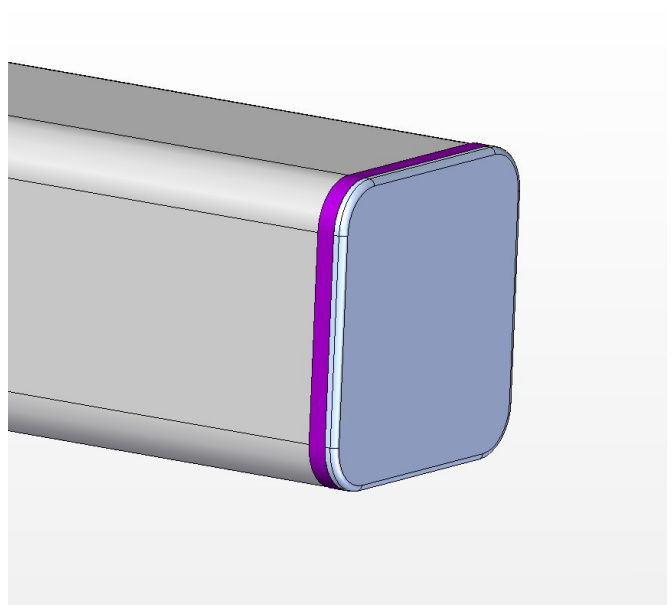
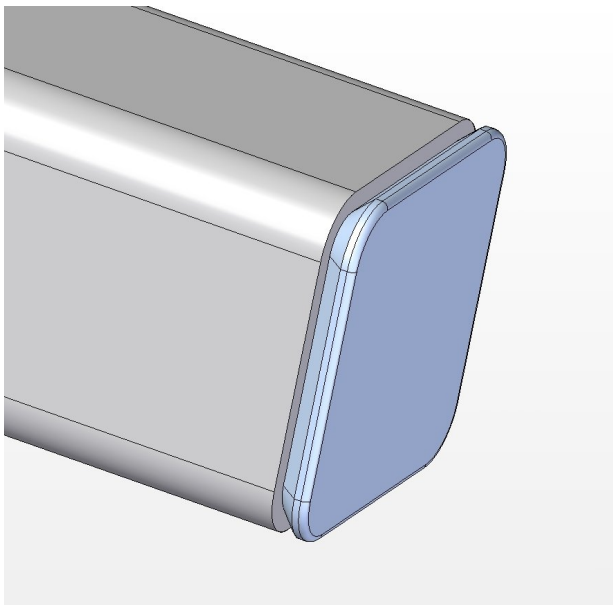
Assemblage images

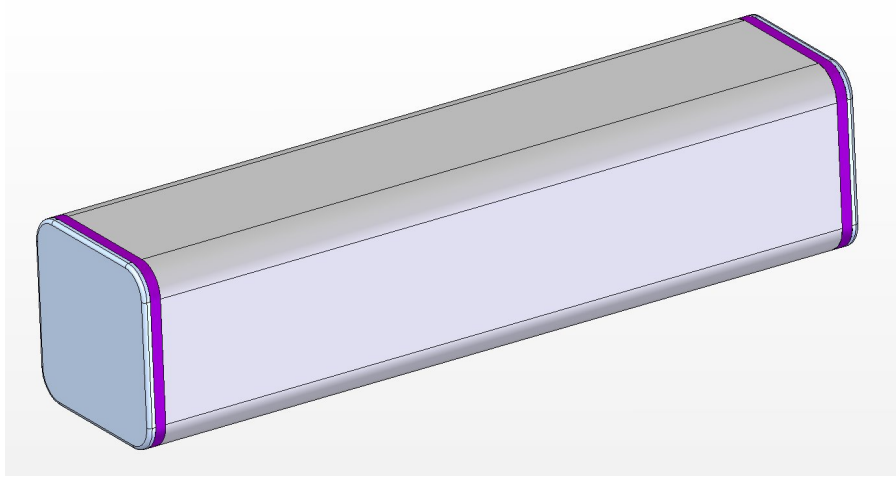
1. Flat Bench Sub-assembly

1.



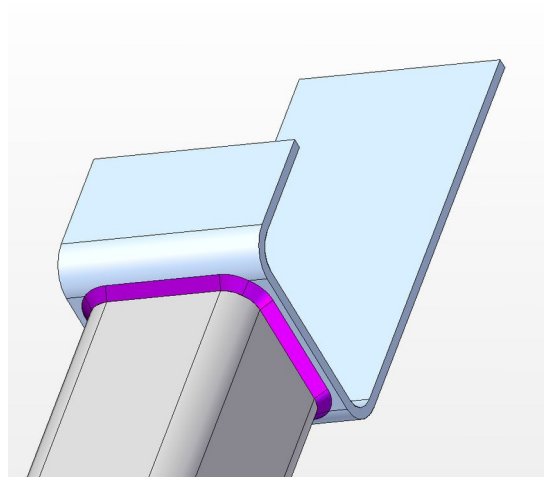
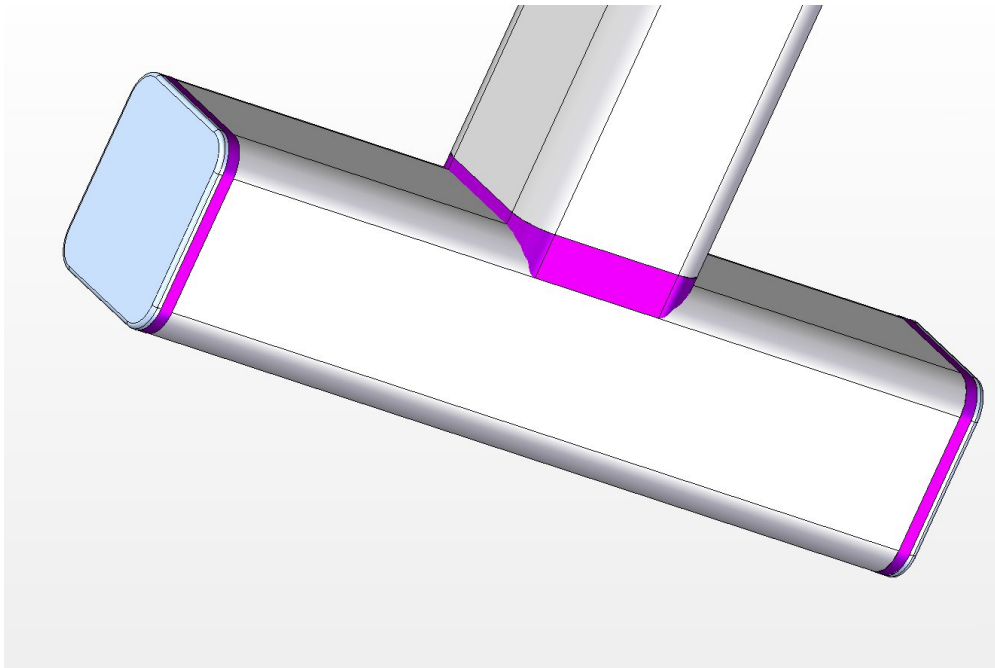
2.

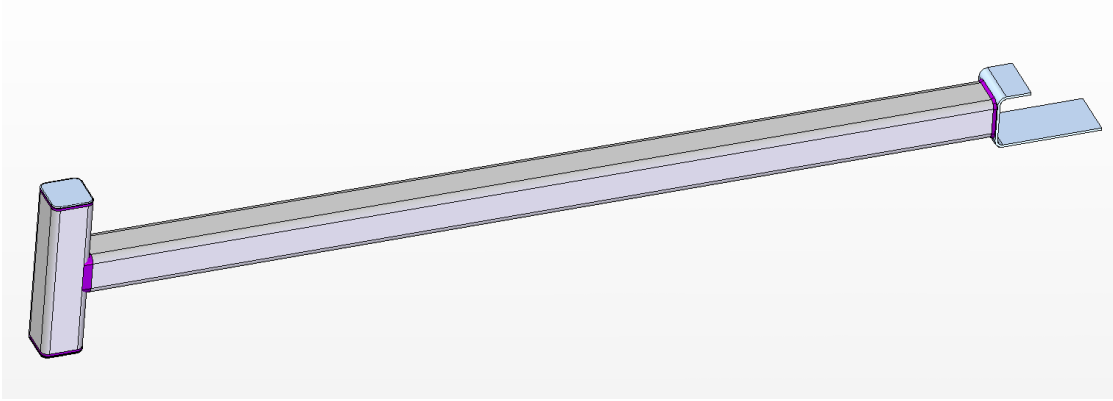




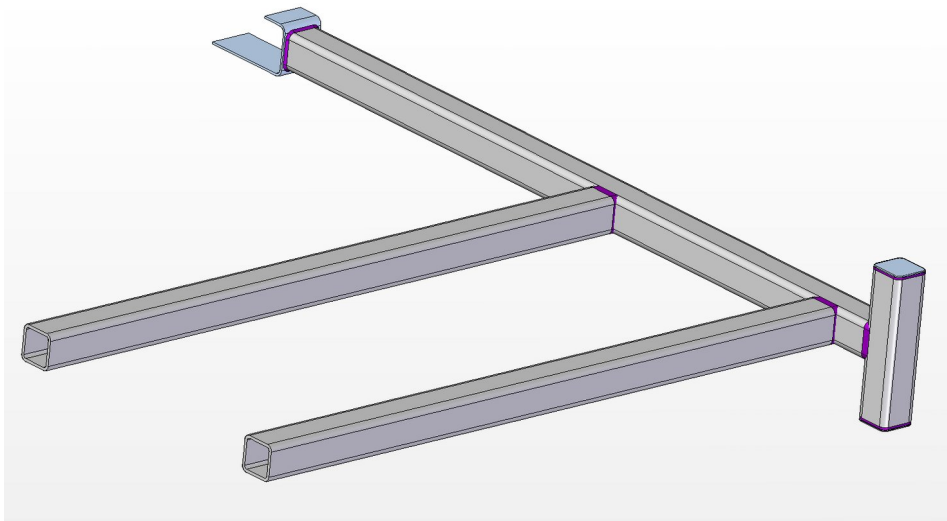
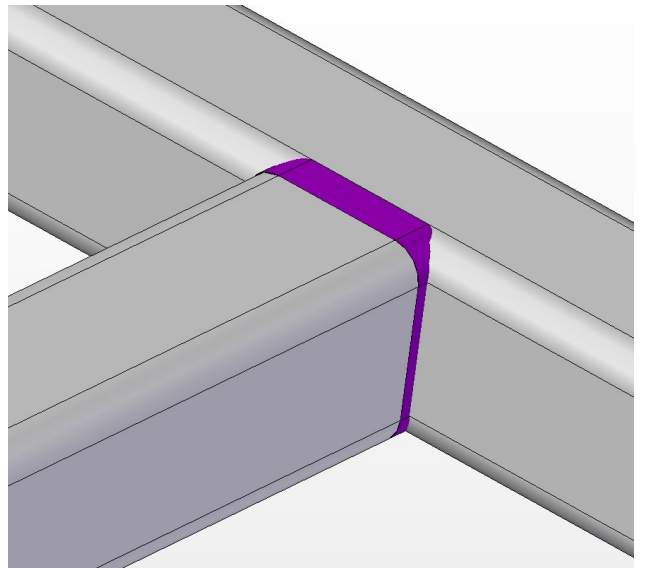
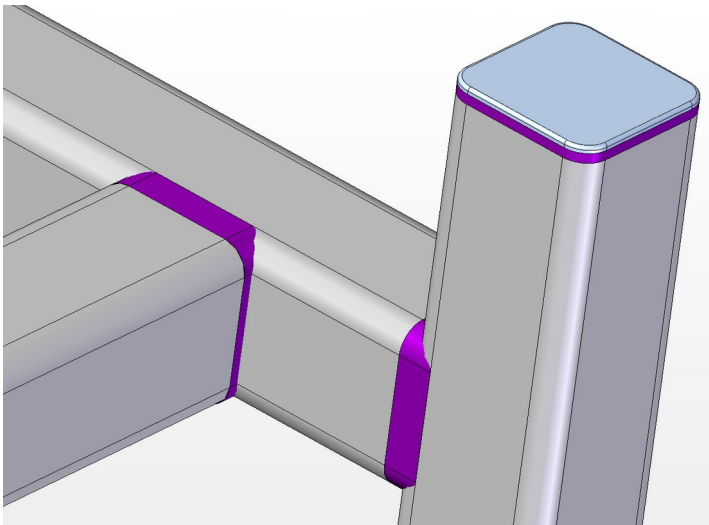
Make the two of these subassemblies

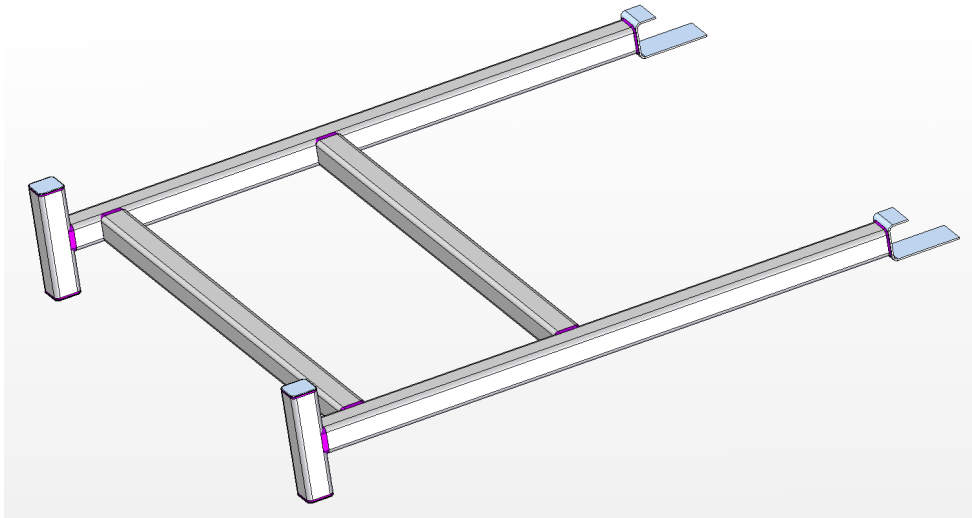
3.



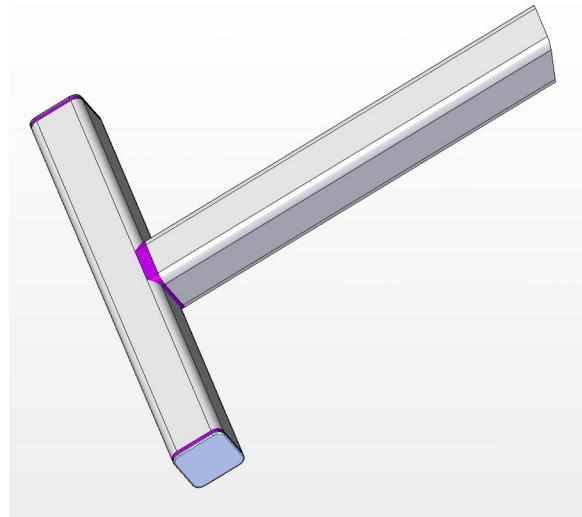
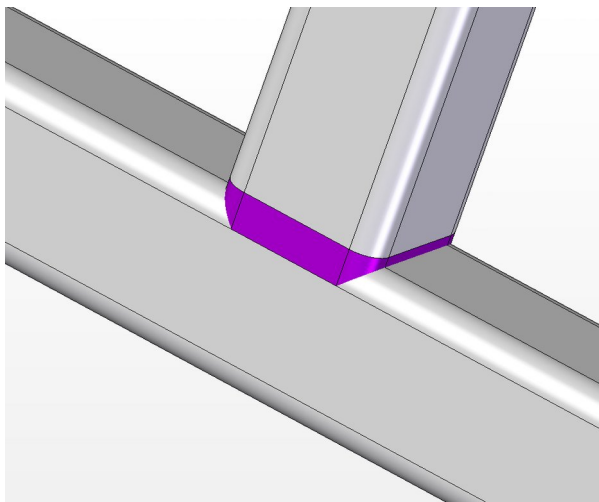


4.

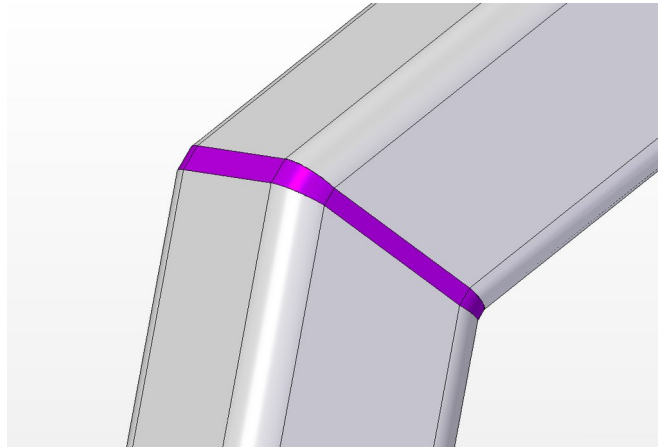
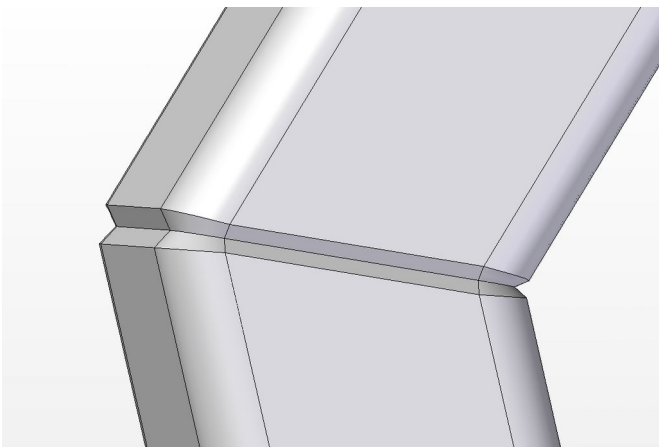


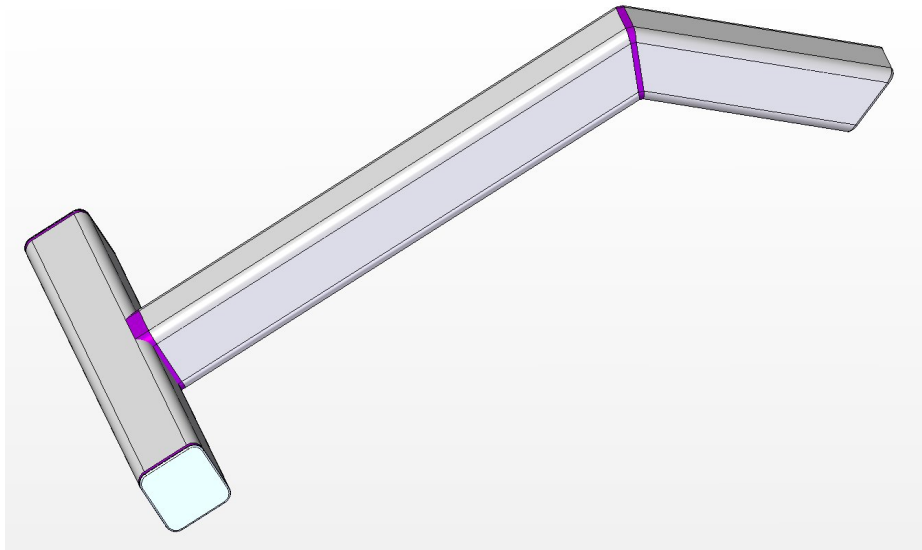


5.

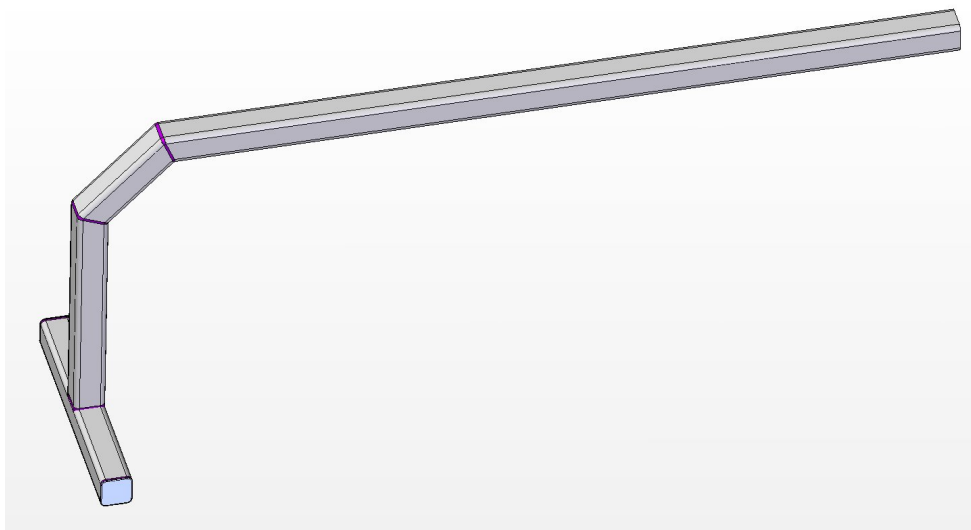
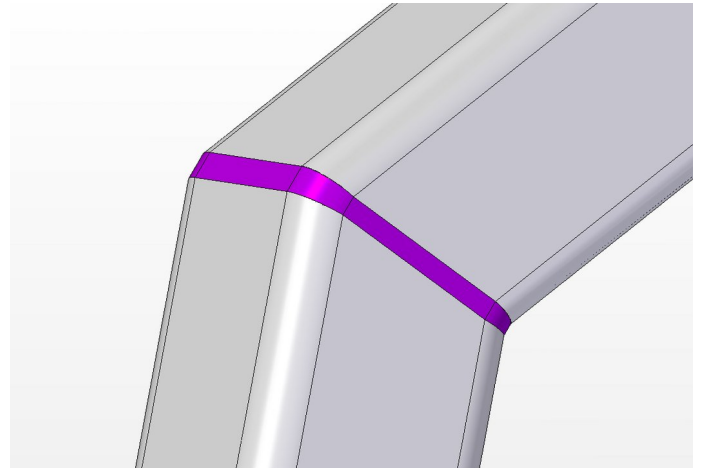
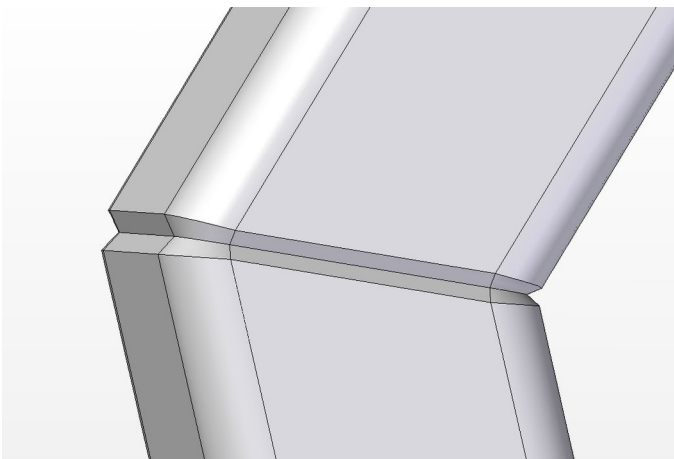


6.

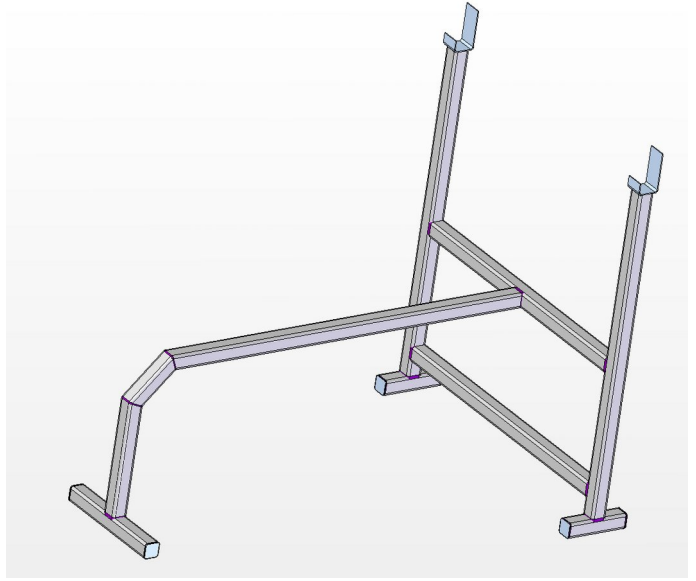
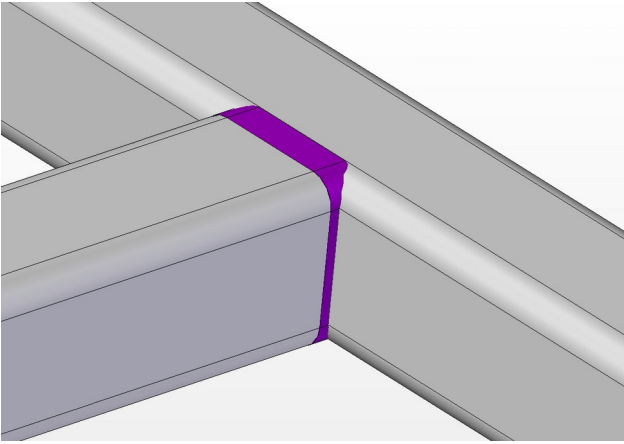




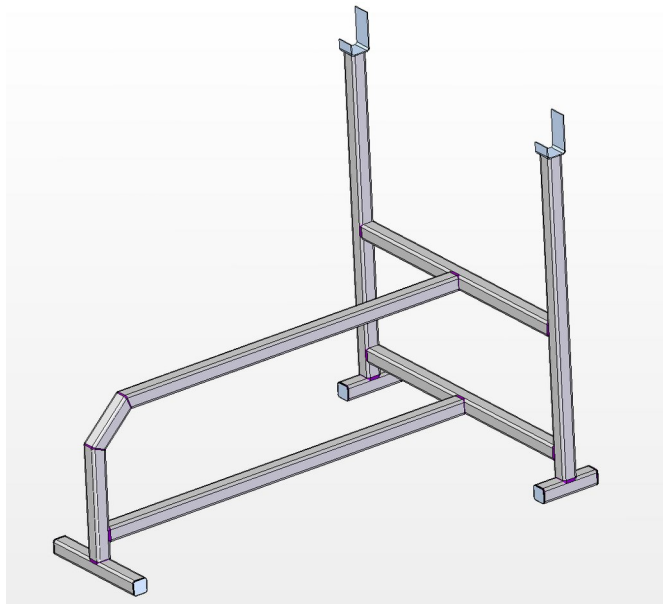
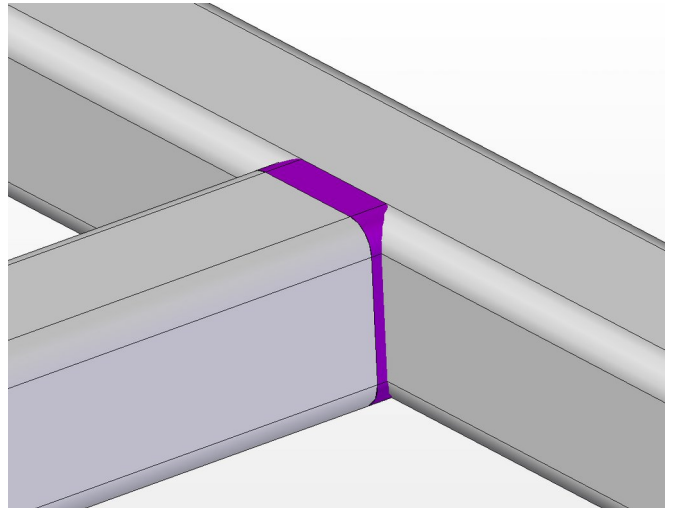
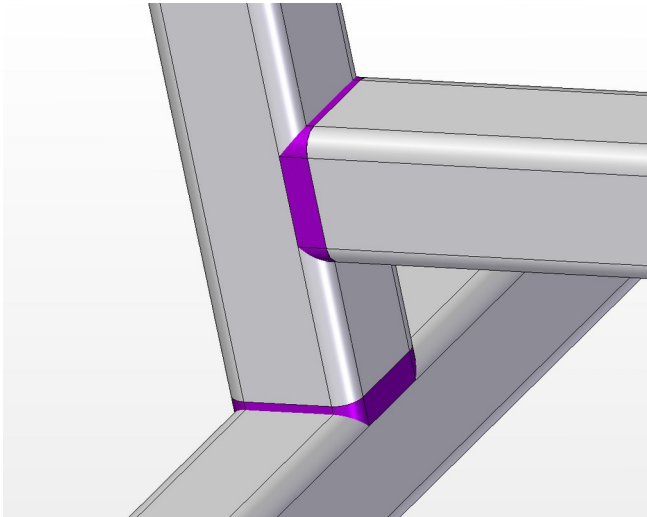
7.



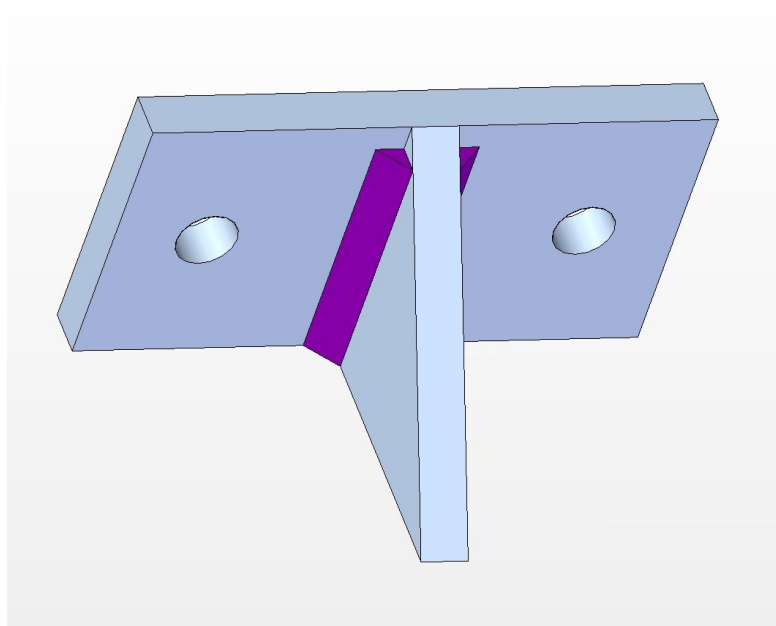
8.



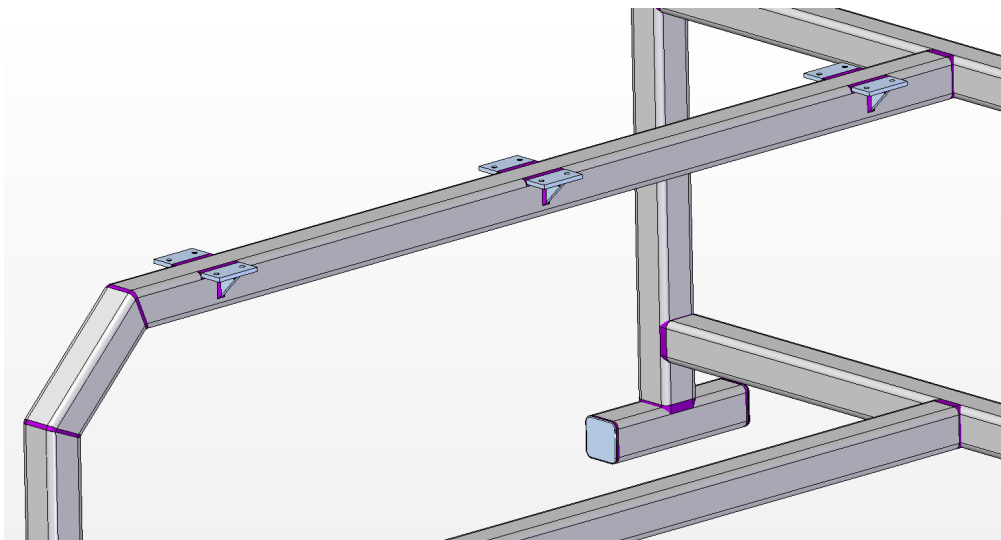
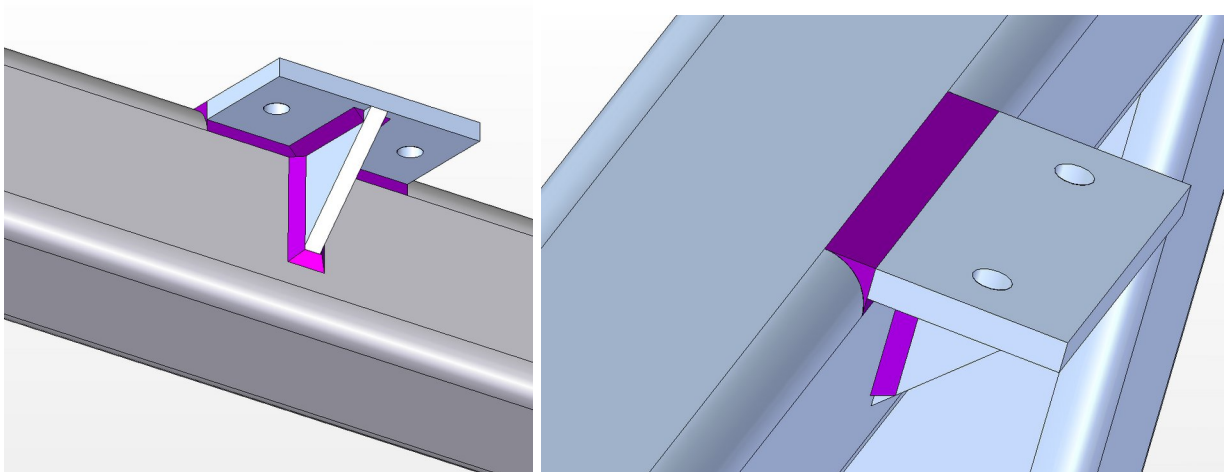
9.



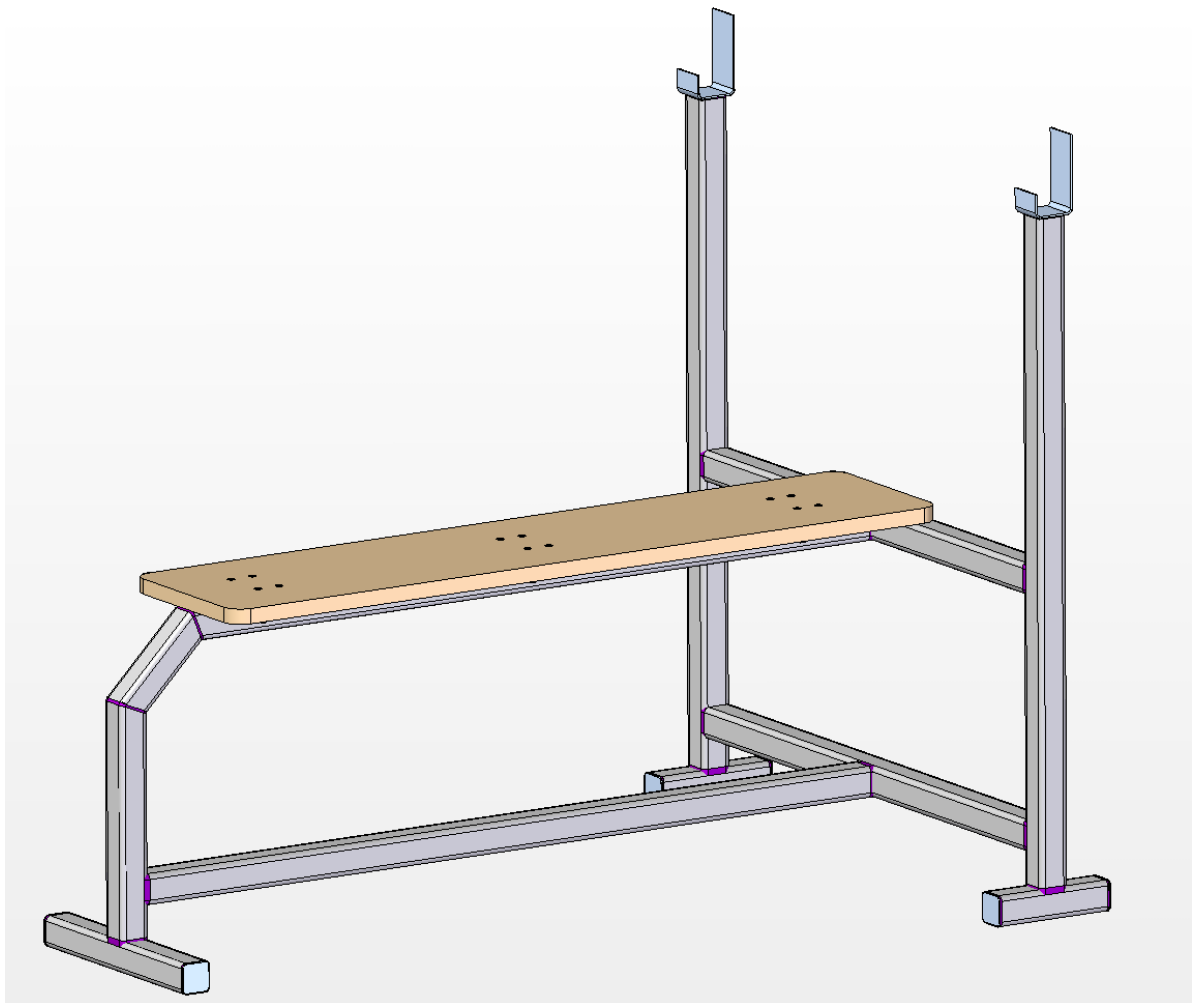
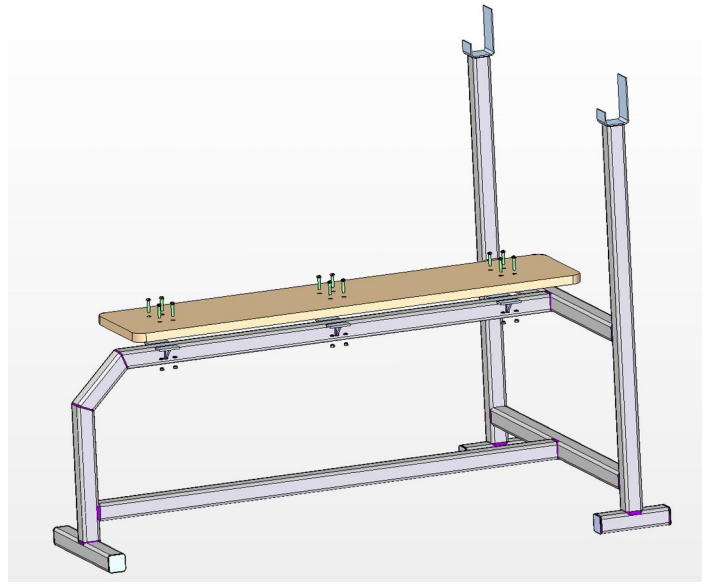
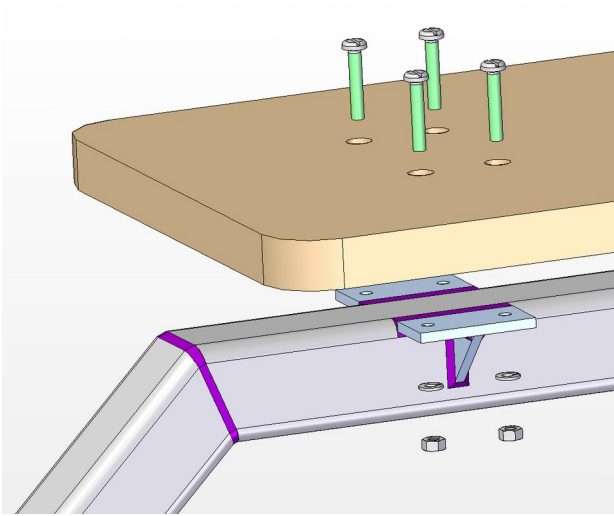
10.



11.

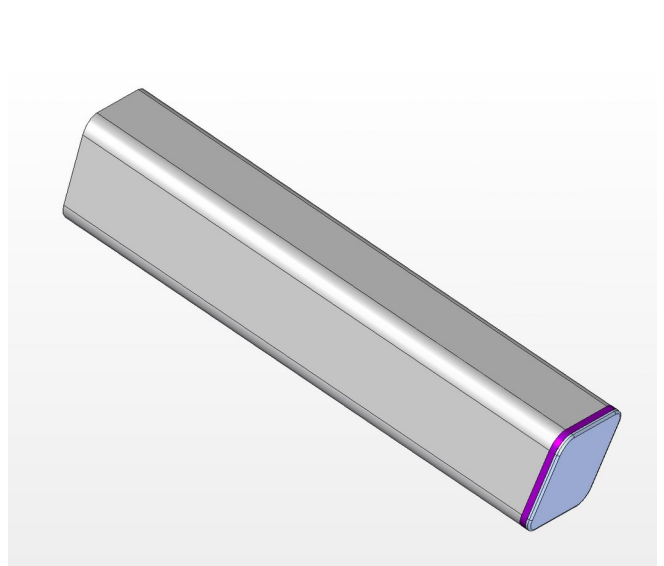
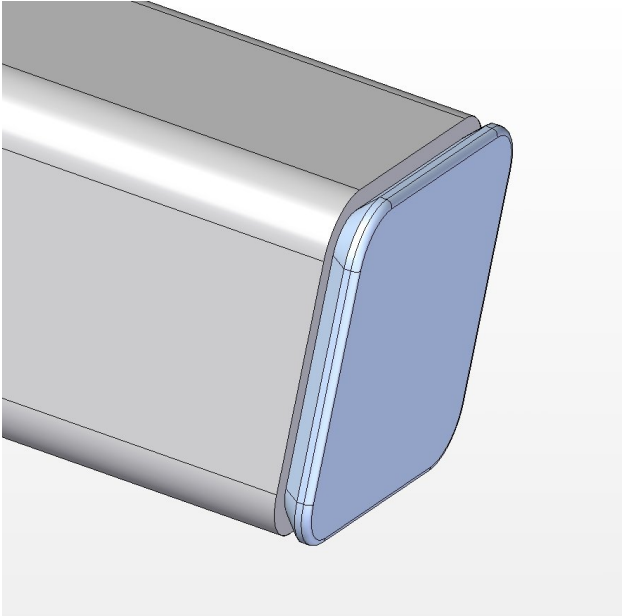


12.

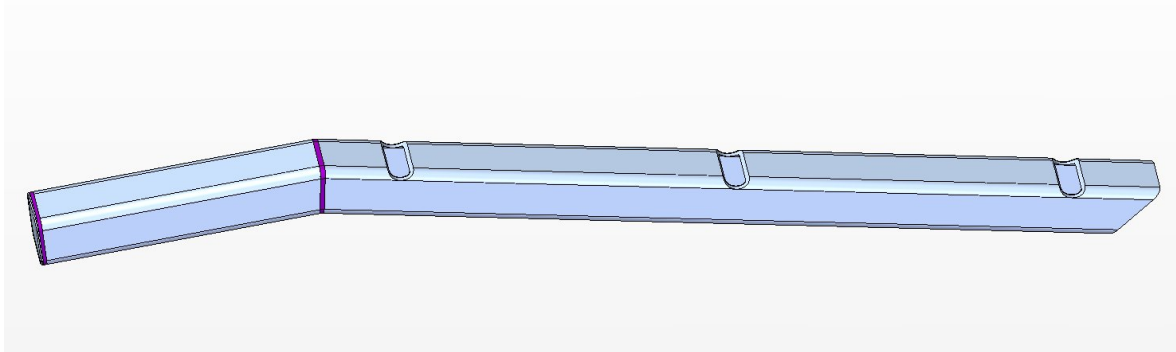
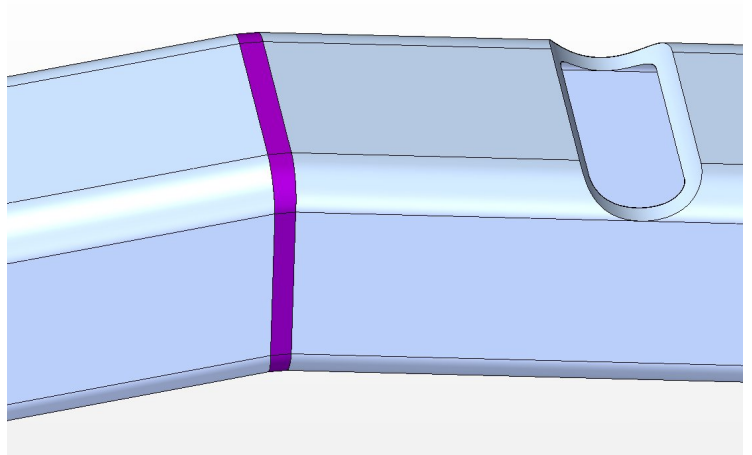
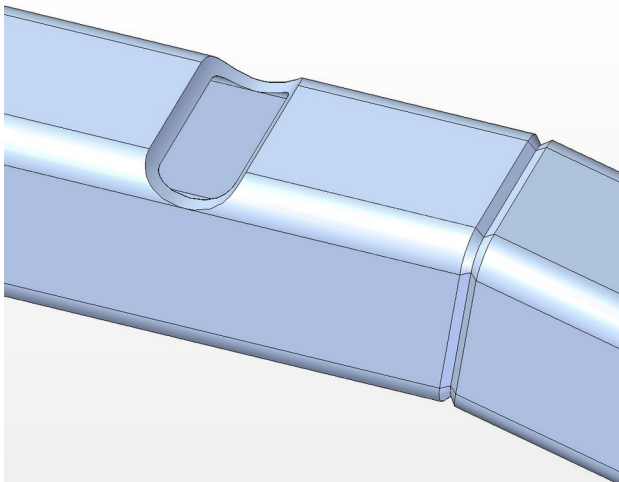


3. Dumbbell Storage Subassembly

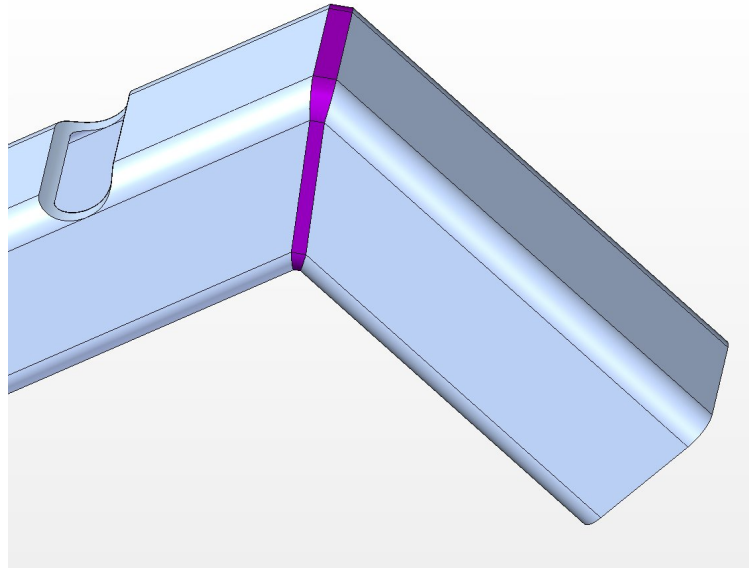
1.



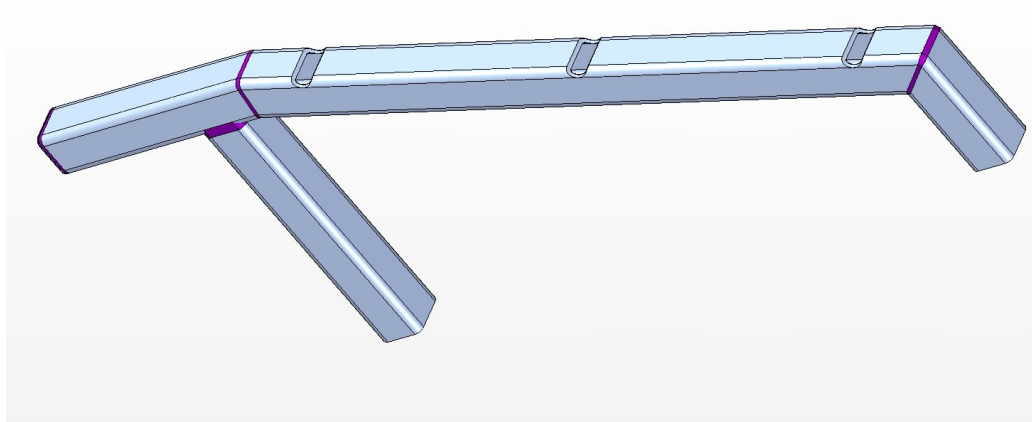
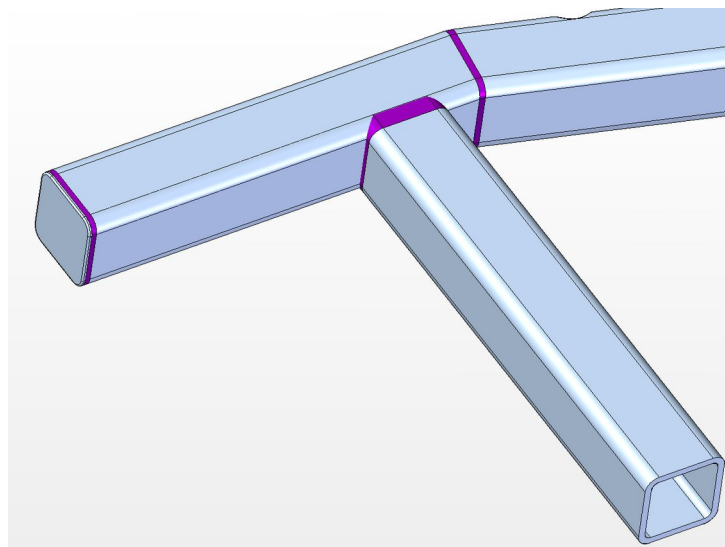
2.



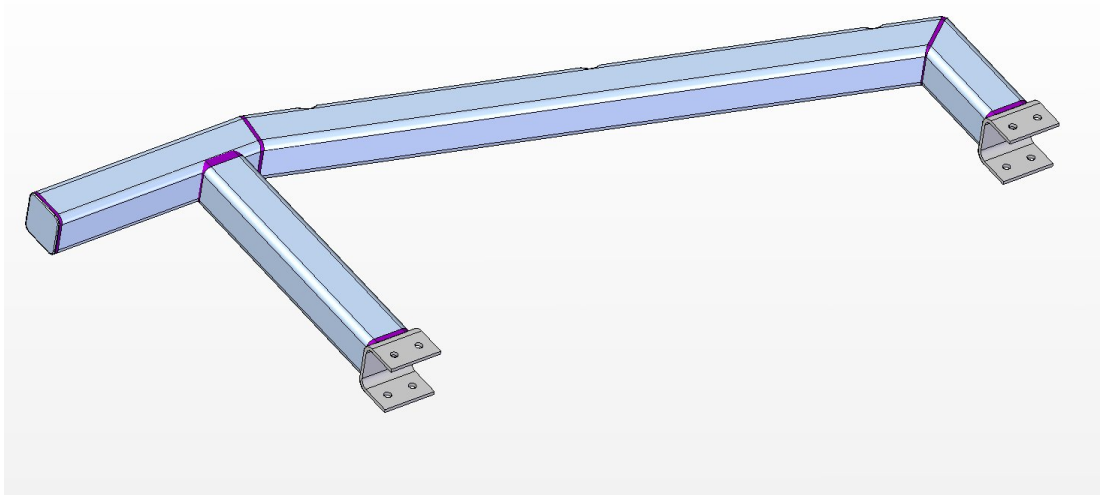
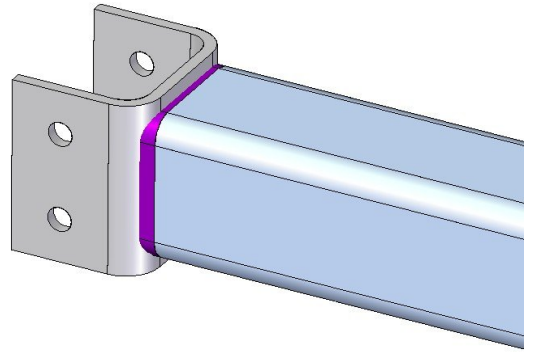
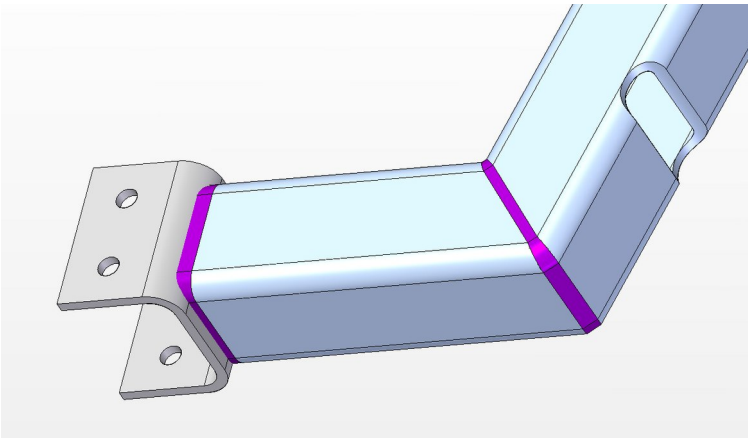
3.



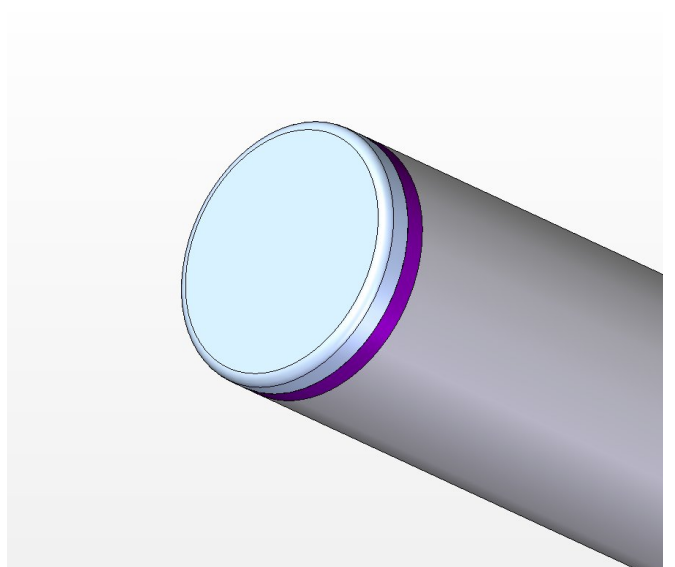
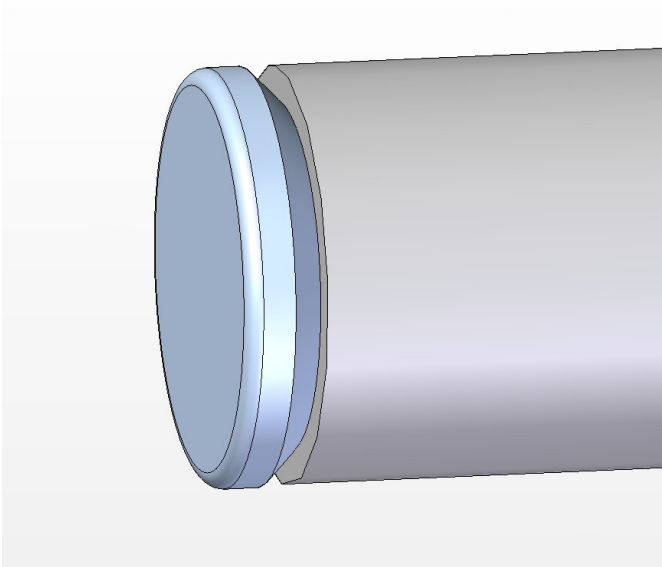
4.

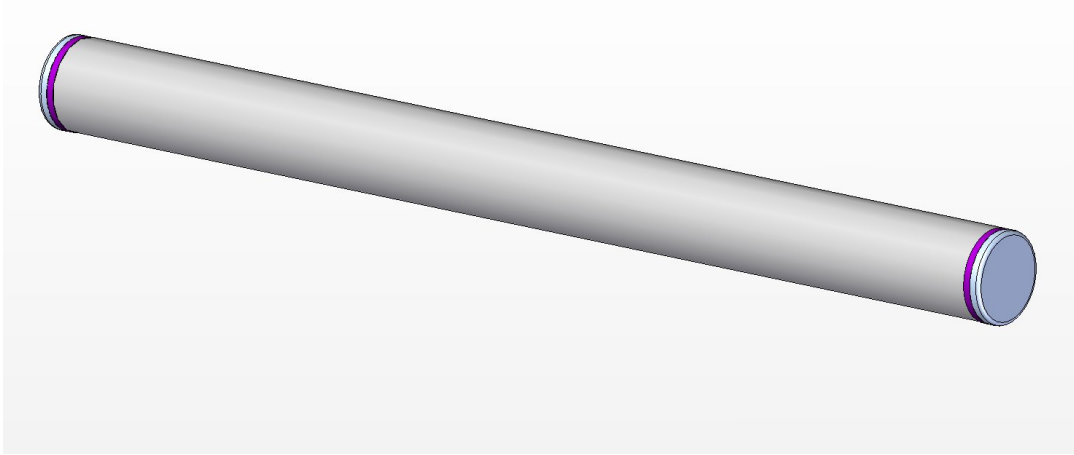


5.

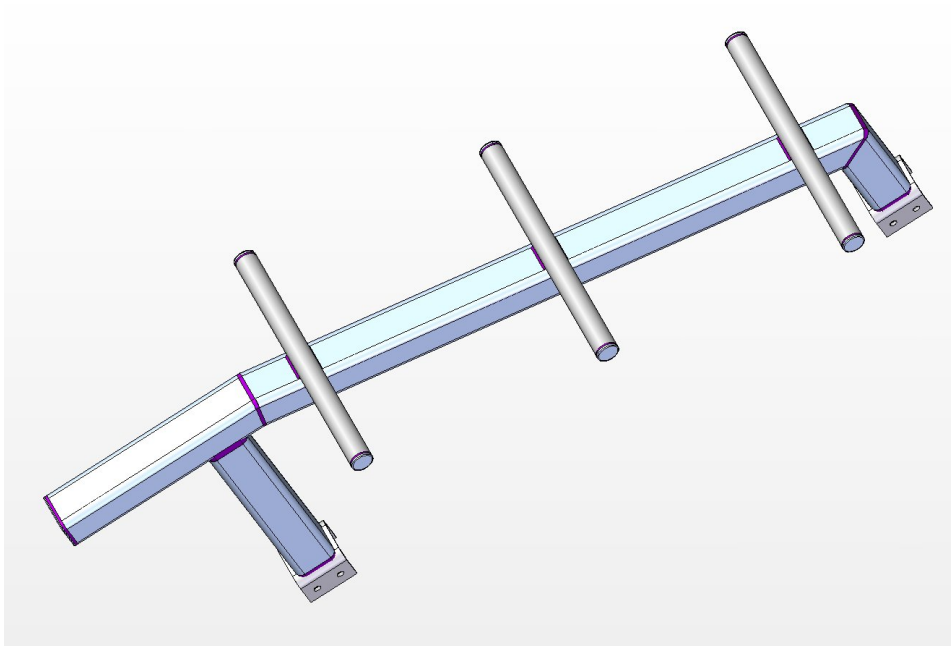
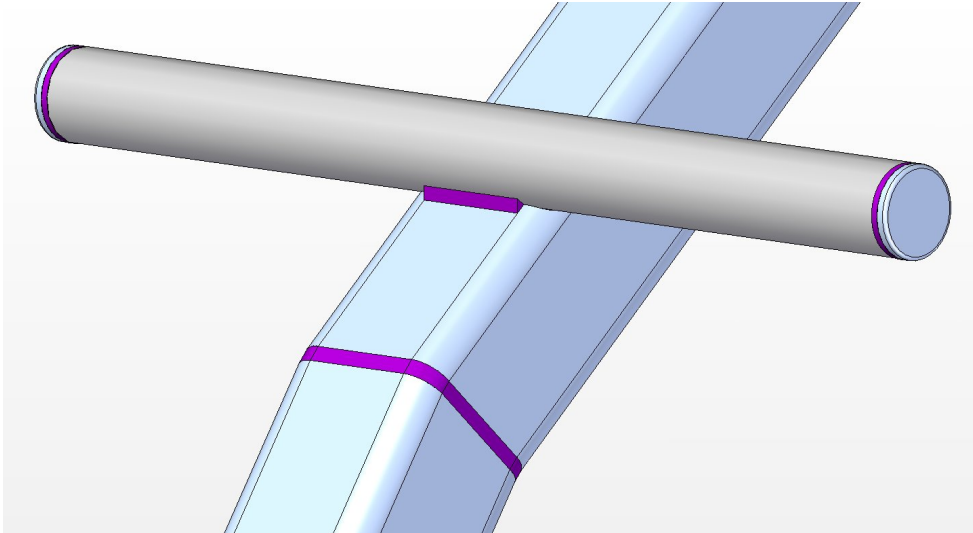


6.





7.



8.

