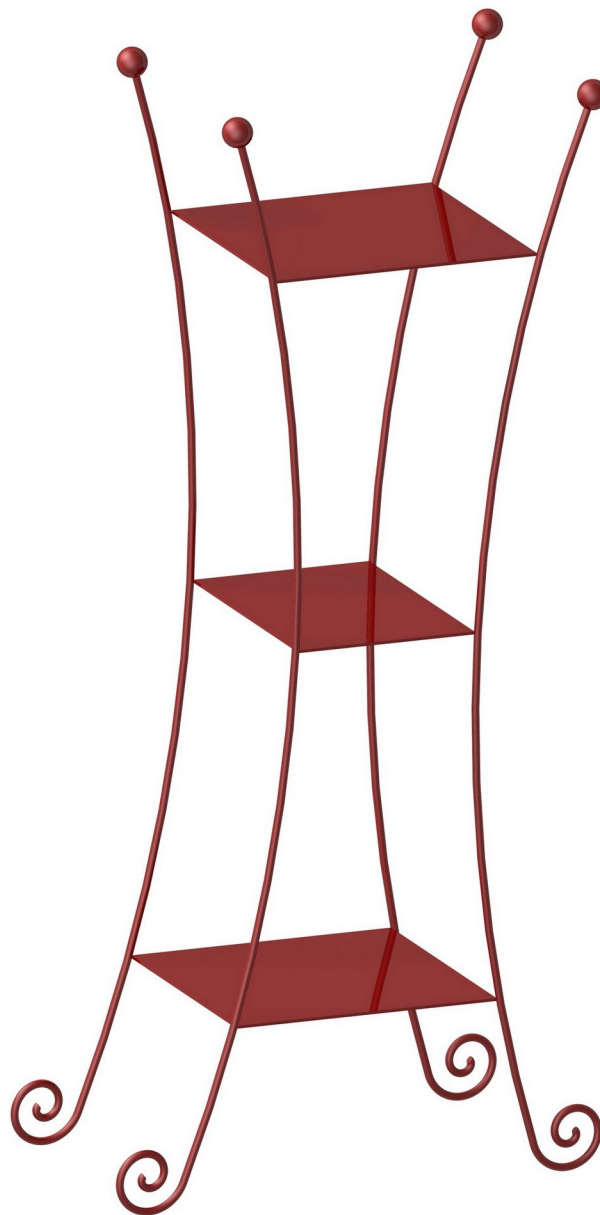


Tower plant holder plan

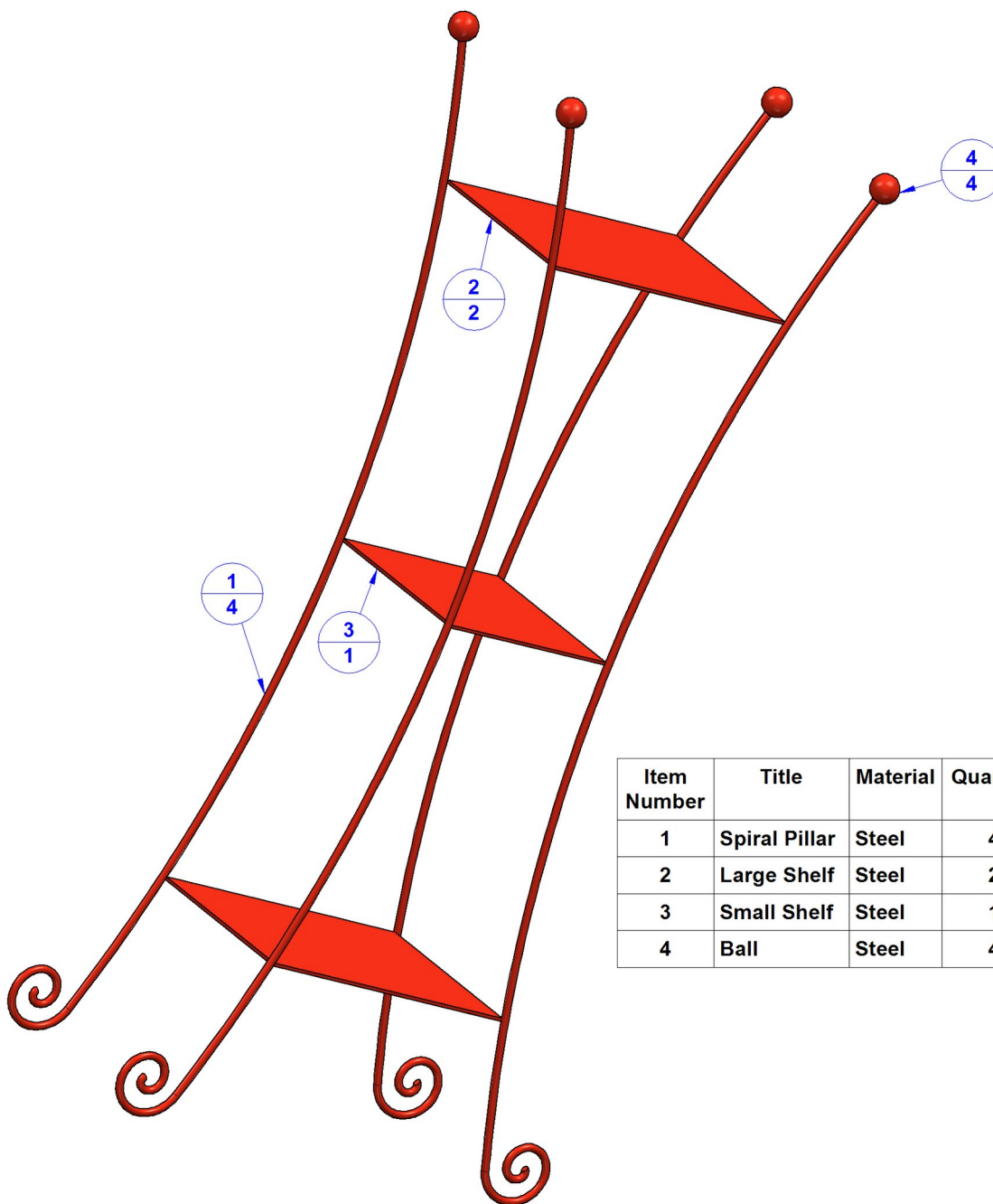


Here is a plan for making a vertical plant holder with three shelves. The construction consists of 4 legs which have decorations - in the form of a ball on the upper end, and in the form of scrolls at the lower end. Between the legs, at certain heights, you can weld 3 or more rectangular shelves (square as in the plan, or rectangular ones).

By welding the shelves, a strong bond between the parts is achieved and a plant holder construction is obtained. The plant holder can be put up on either the balls or the scrolls; alternatively, you can choose to have scrolls at both ends. If you make a plant holder with wide, rectangular-shaped shelves, you will have to make two more legs and weld them in the middle of the shelves so as to prevent warping due to weight.

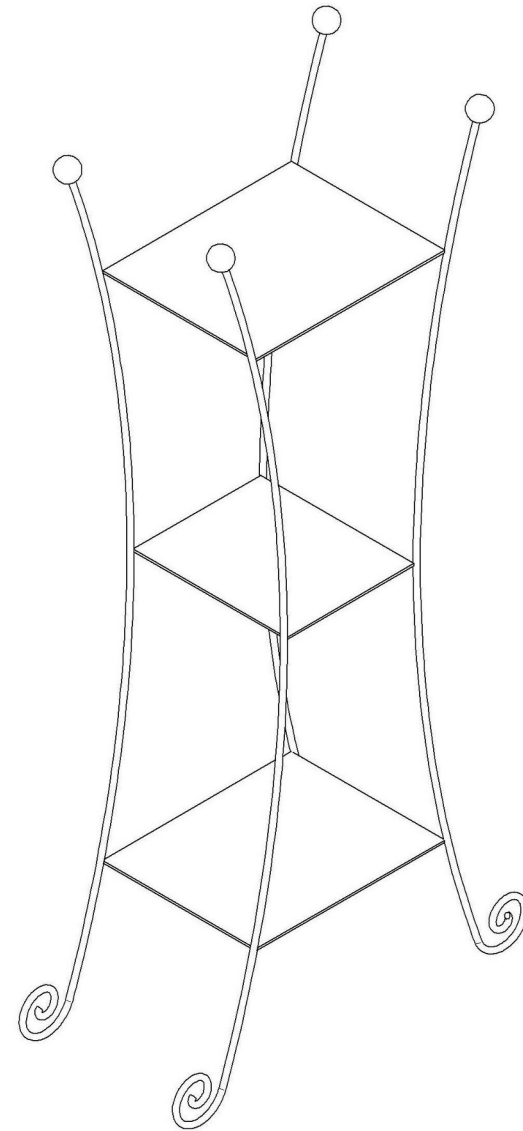
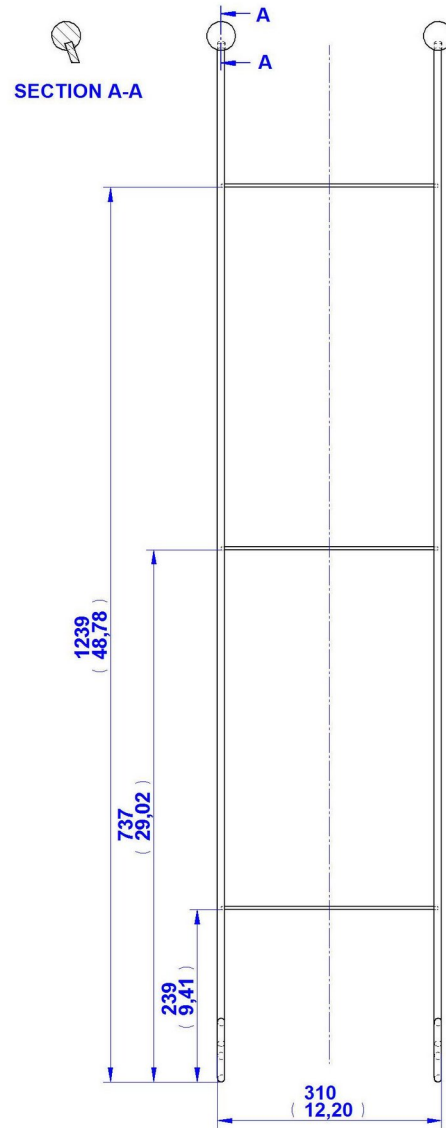
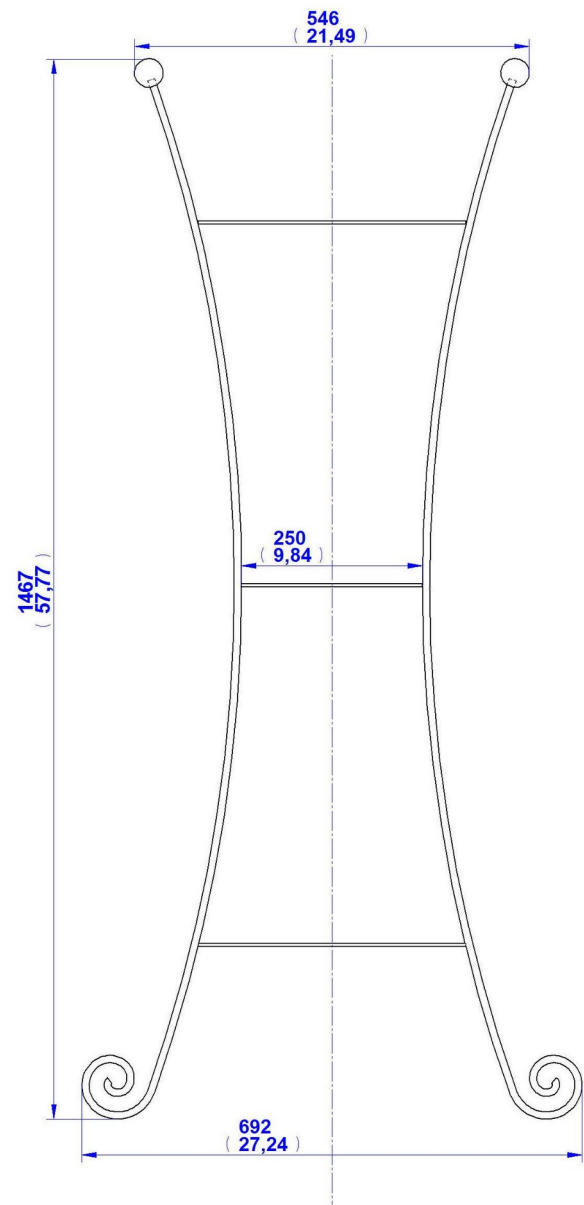
A plant holder built in such a way is sturdy enough, relatively light and barely noticeable when you put flower pots on it. Evidently, this is a very simple construction which is quickly and easily made, and which will serve its purpose for a long time. In the end, protect the construction with a paint primer and paint it a color to your liking. We recommend black or special colors for metal that give the construction a rust texture, the appearance of old wrought iron and the like. Today, there is a great choice of such colors, and the construction colored with them look much nicer. Since the plant holder is vertical like a tower, it is preferable to display plants with leaves hanging down. Thus you will have a vertical green column of flowers and leaves in the room.

Parts List

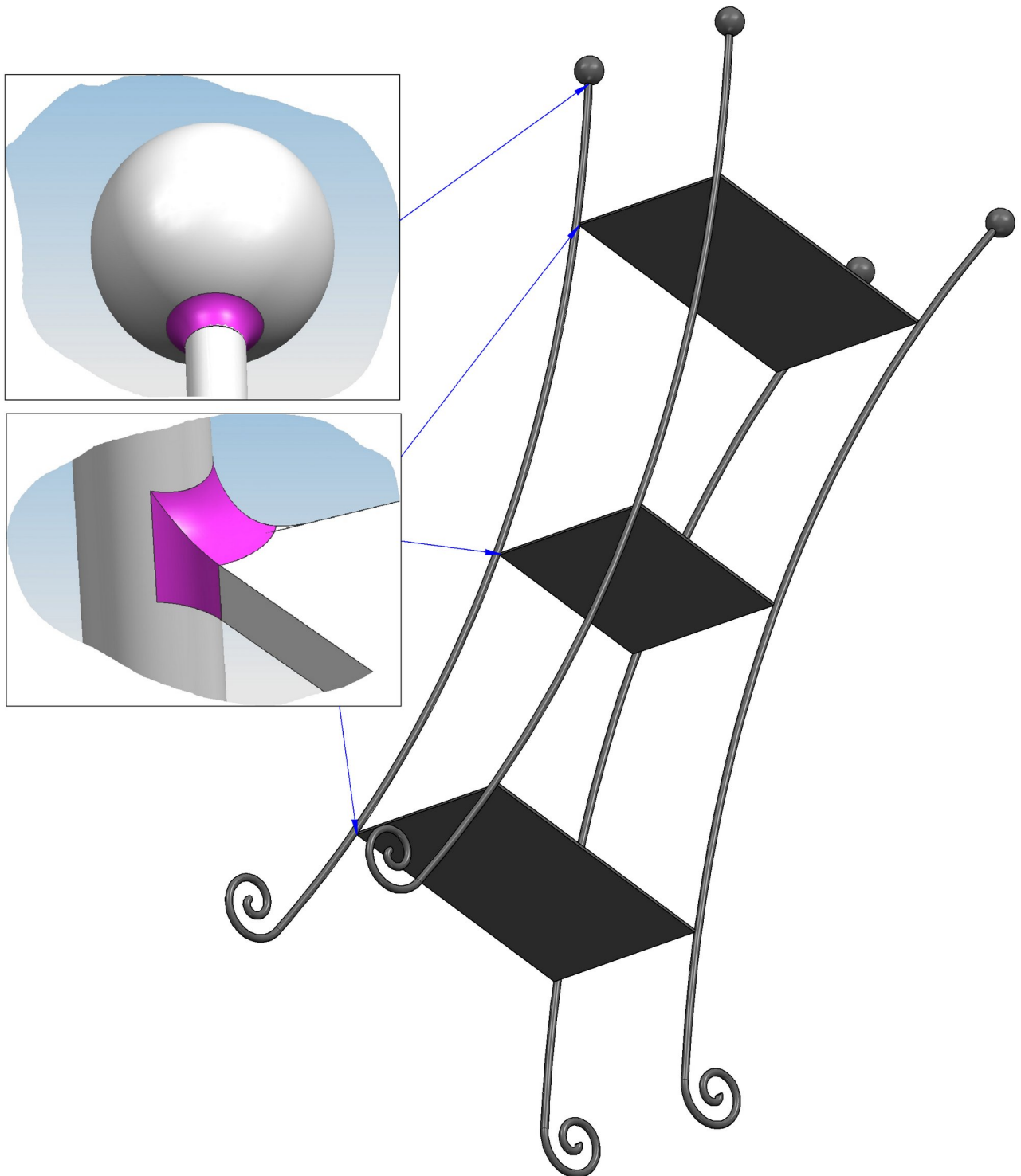


Item Number	Title	Material	Quantity	Cut Length
1	Spiral Pillar	Steel	4	1712,00mm
2	Large Shelf	Steel	2	
3	Small Shelf	Steel	1	
4	Ball	Steel	4	

Assembly Drawing

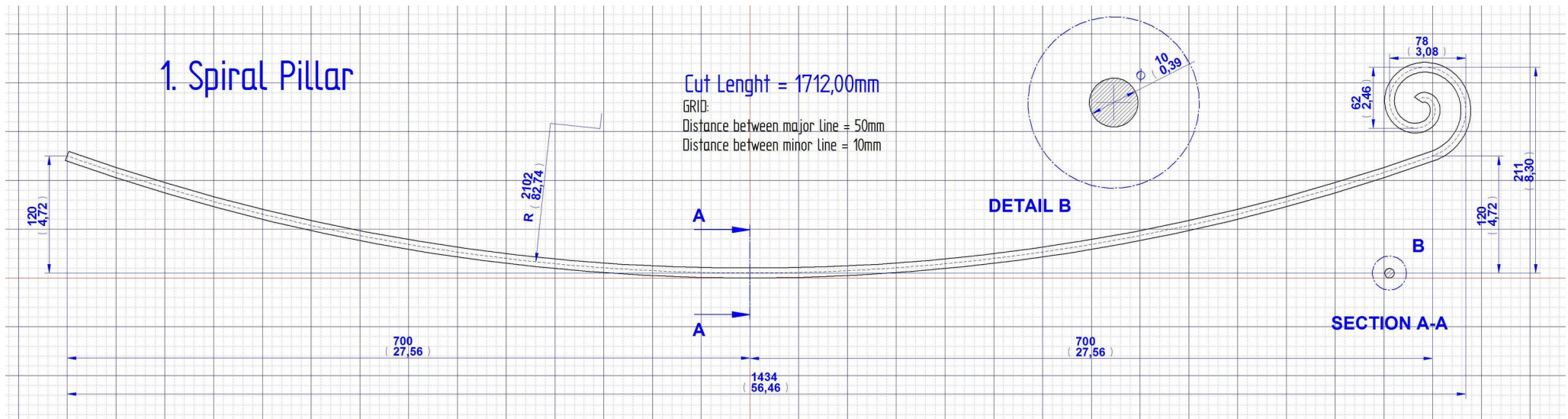


Welds

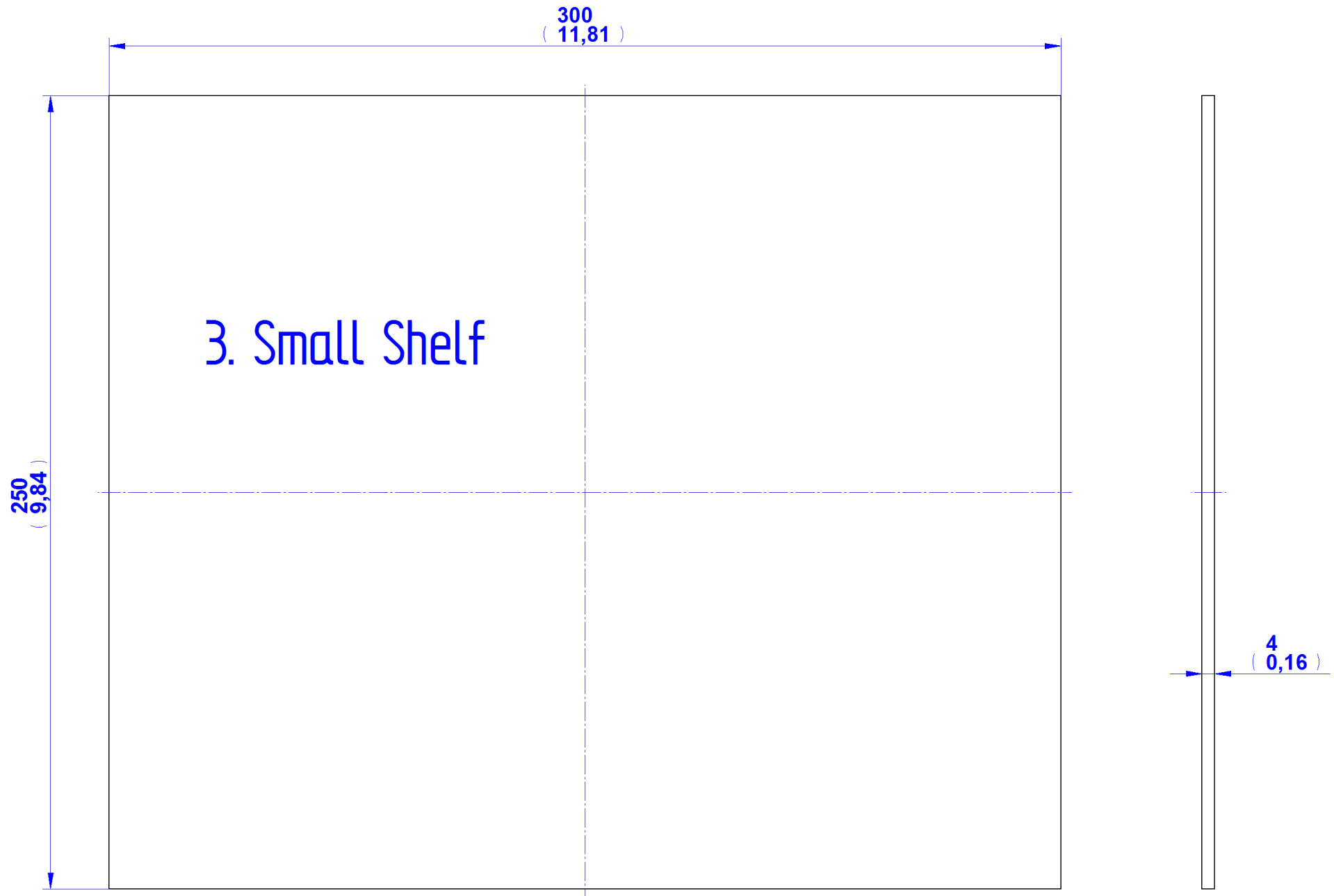


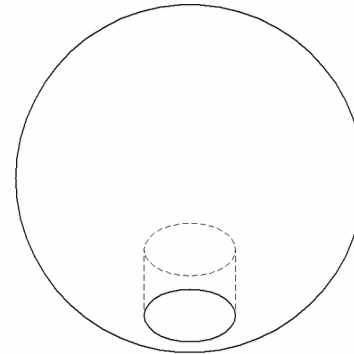
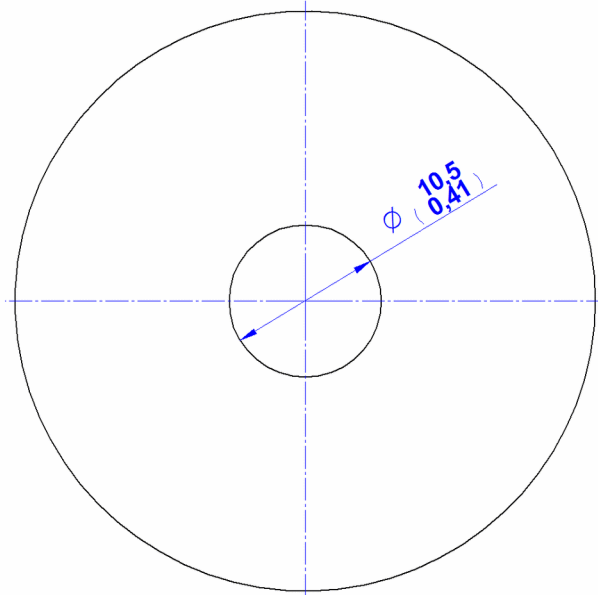
1. Spiral Pillar

Cut Length = 1712,00mm
GRID:
Distance between major Line = 50mm
Distance between minor Line = 10mm









4. Ball

