

Backyard table and bench set plan

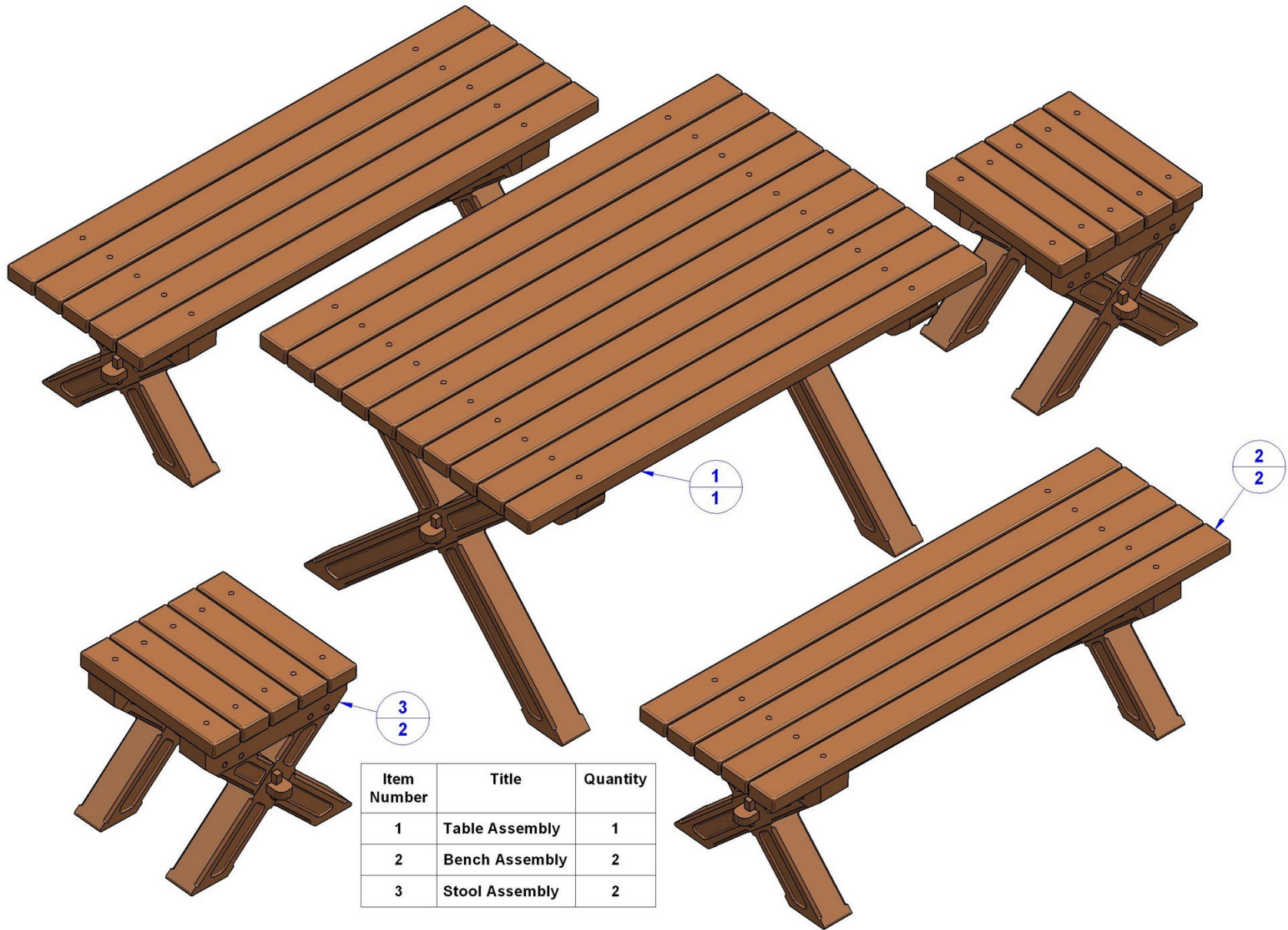


Here is a plan for making a sturdy seating set designed for your backyard or garden. It consists of a table, a bench and a stool. All three pieces of furniture are made according to the same principle, i.e., they have the same construction and differ only in dimensions. Such a seating set is very useful, and it also looks nice in the garden/yard, on the terrace, etc. The table is of a size that allows 6 people to be seated comfortably (two on each bench and one on each stool) who will enjoy having their coffee or drinks. Table dimensions are not intended for serving big meals, rather mini-meals or snacks. In case you have to attend to more than 6 people, and under the condition they are a size 'S' or children, three people are seated per bench. If you need to adjust the table and bench dimensions to your needs, it will be very easy to do so after you study the drawings a little.

The construction is simple and looks slightly rustic; if you like, you can additionally decorate it with a chip carving. It should be noted that the bench and the table are quite heavy, so at least two people are required to manipulate it. All pieces should be well protected against adverse effects of weather conditions. Exposure to strong sunlight may be a problem if you have used insufficiently dried wood, and in winter the entire set should be placed in an ancillary room, on the porch or under some kind of overhead roof/structure that provides shelter. In this way, you will significantly extend the life span of all the pieces. Do not keep the seating set in a place exposed to the sun all day long, but rather place it in the shade if possible, or where the sun shines only for a short period of the day. This will provide additional protection, you will feel more relaxed and there will be no need for a sun umbrella.

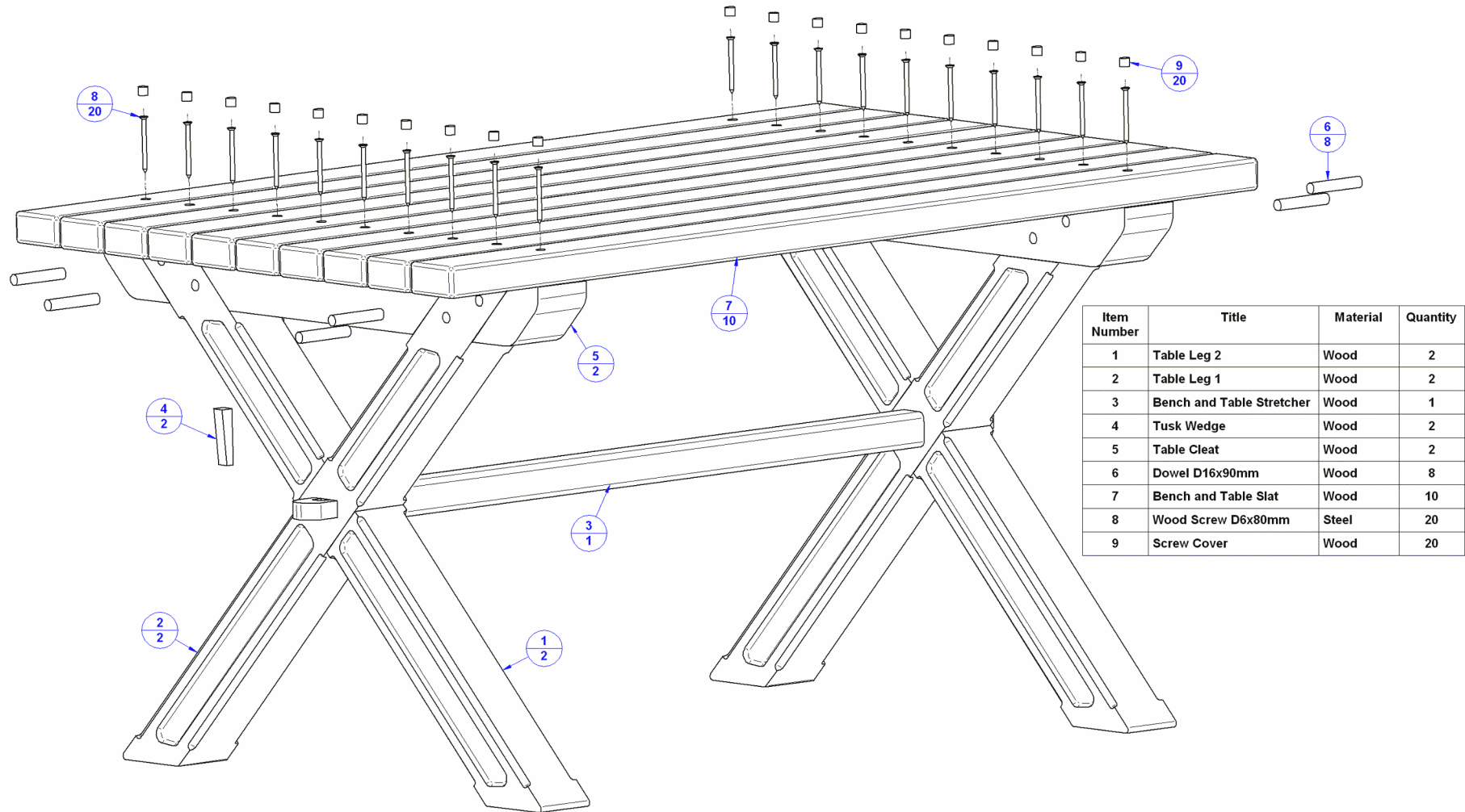
If you are a beginner who wants to build this backyard seating set, be practical and try with a stool first, just to see how it is going. If you make a mistake, this way you will spend the least amount of material. As we have already mentioned, the construction is simple, but the woodworking joints demand more experience to achieve quality end results.

Subassembly List

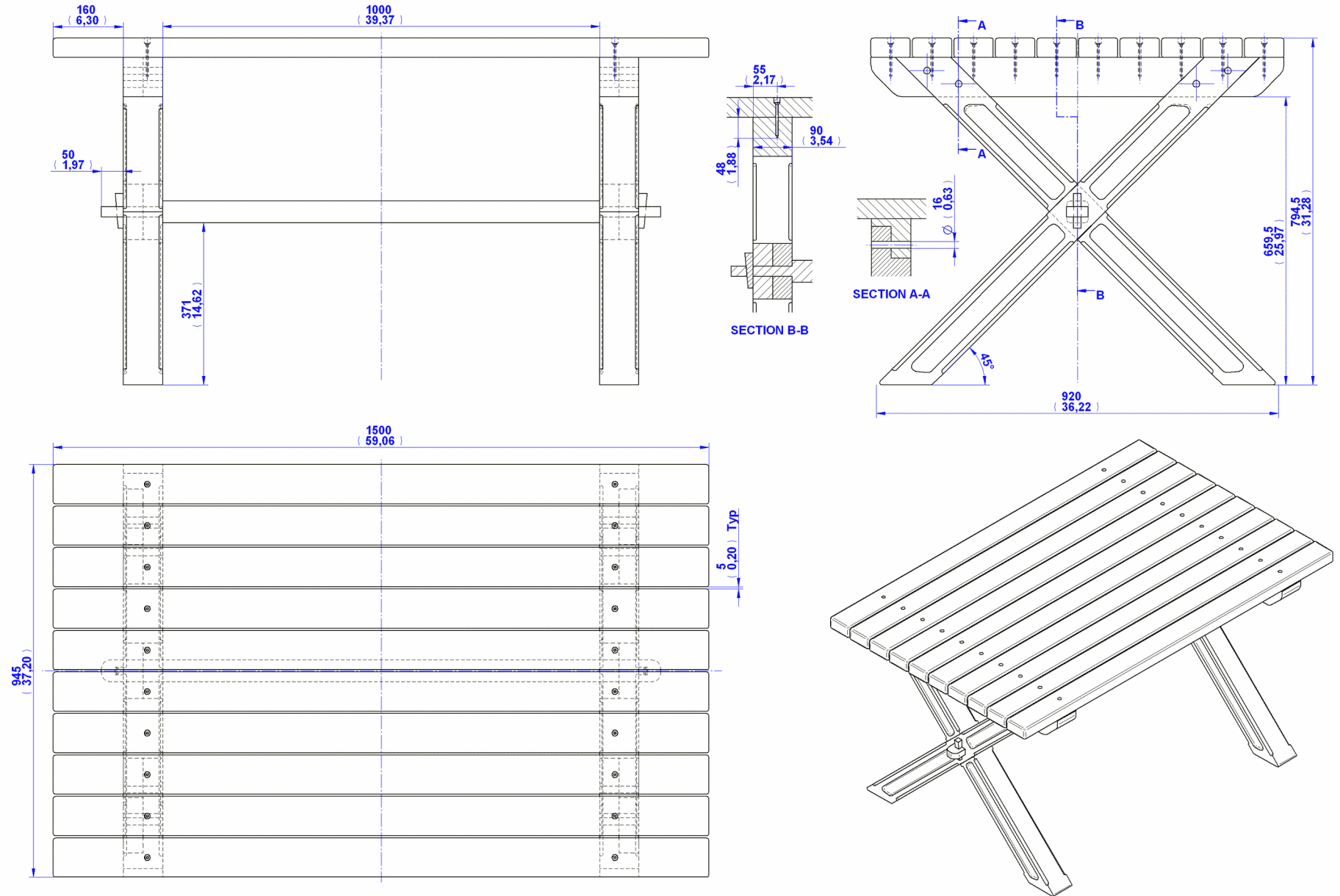


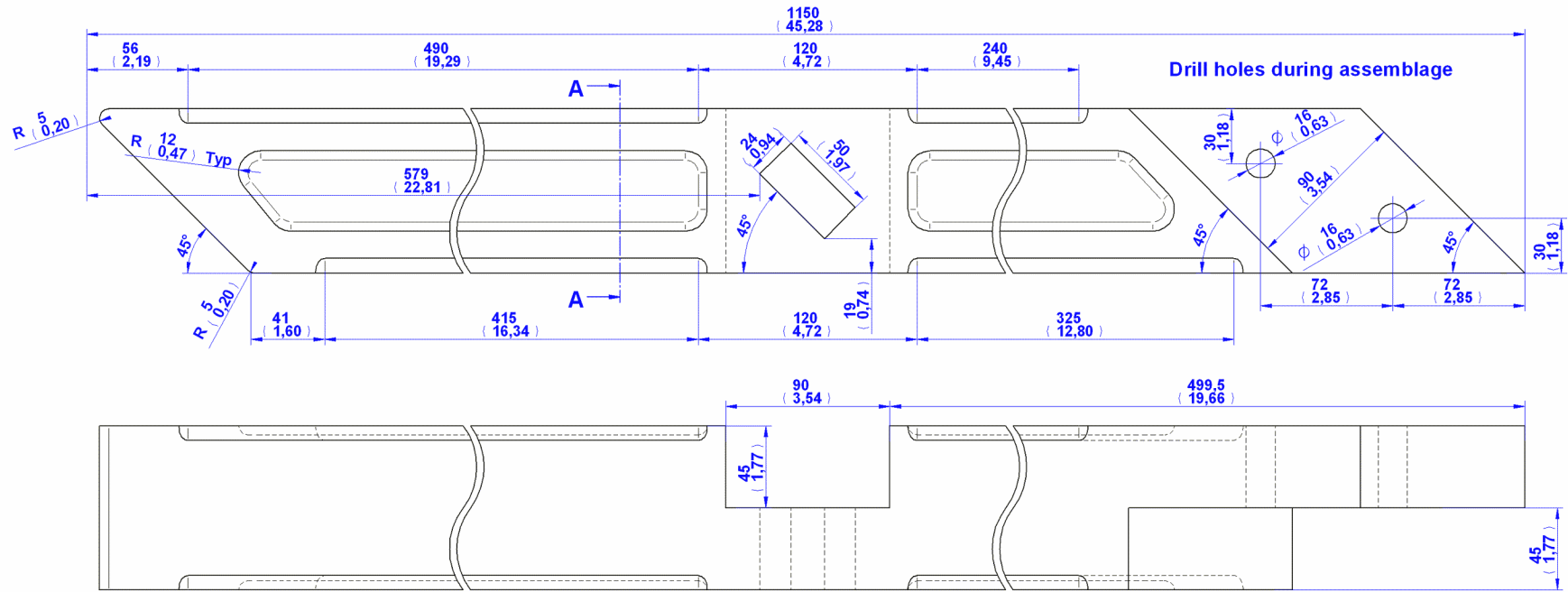
Item Number	Title	Quantity
1	Table Assembly	1
2	Bench Assembly	2
3	Stool Assembly	2

TABLE SUBASSEMBLY - Parts List

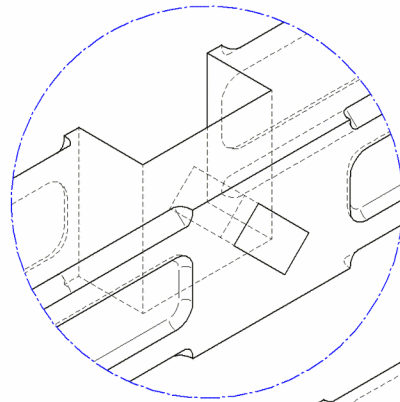
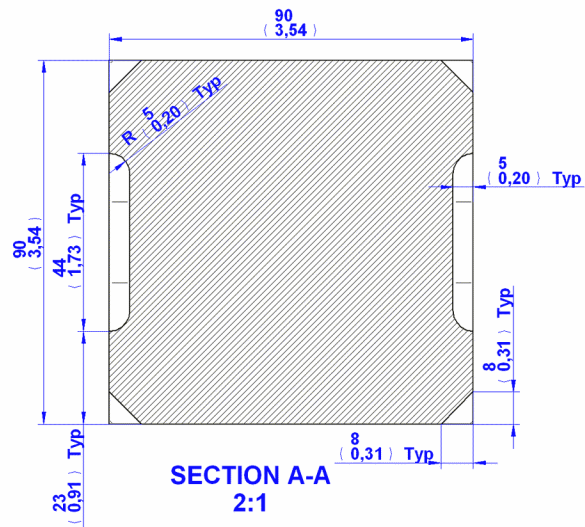


Assembly Drawing

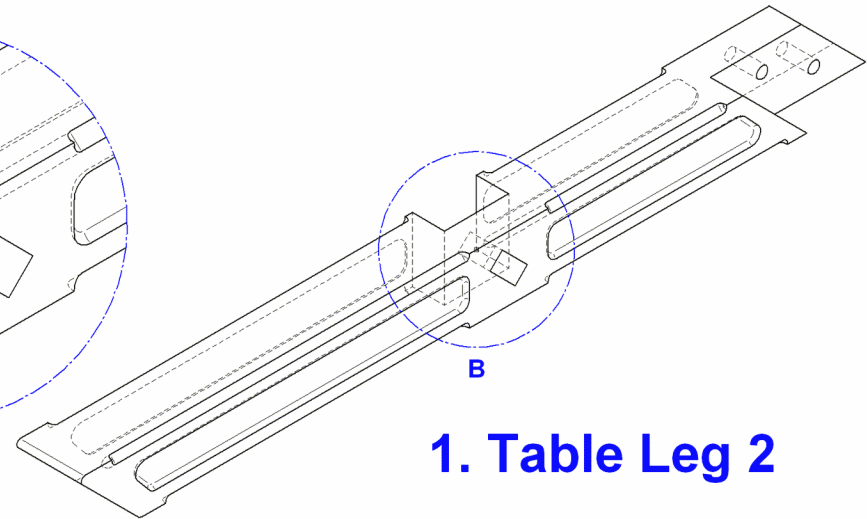




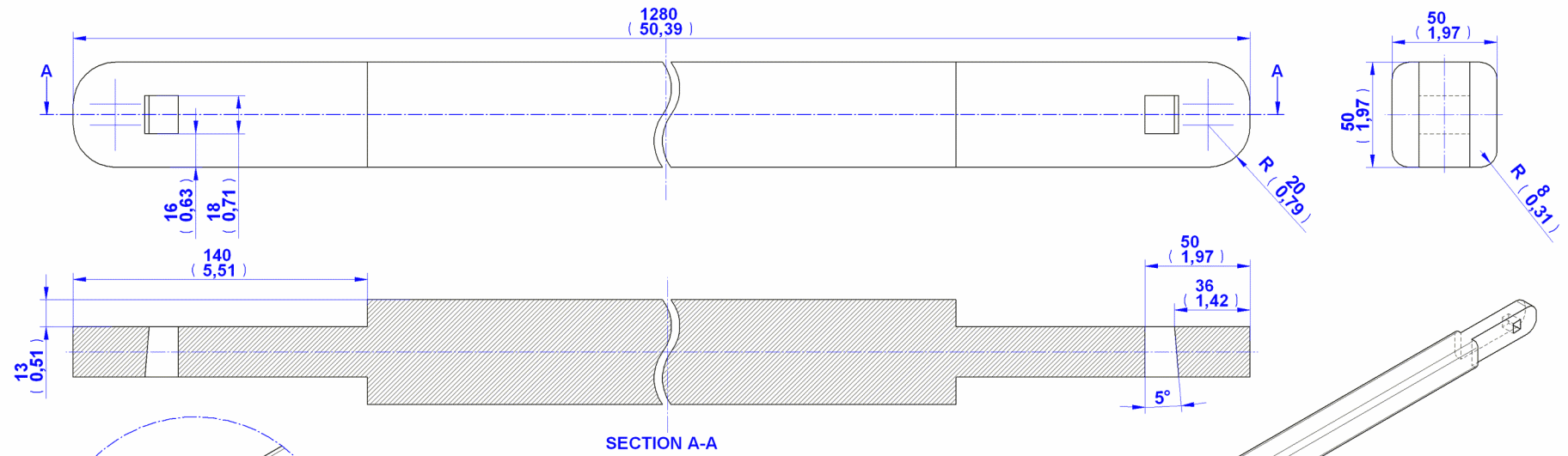
Drill holes during assemblage



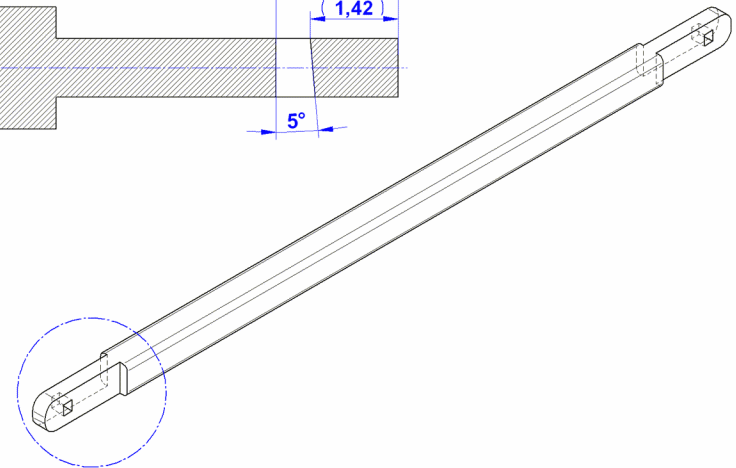
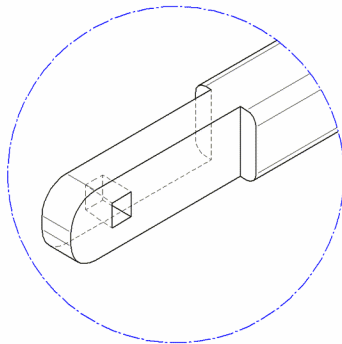
DETAIL B

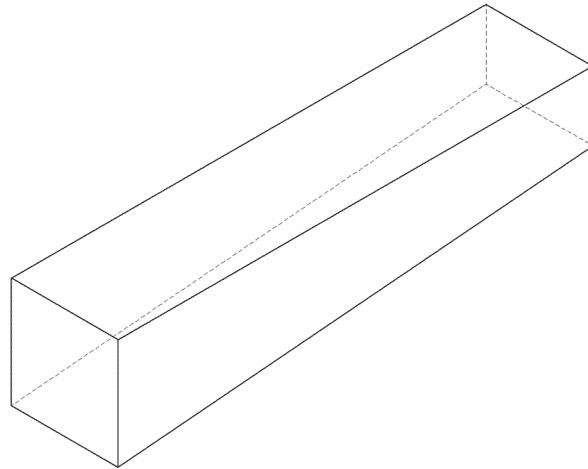
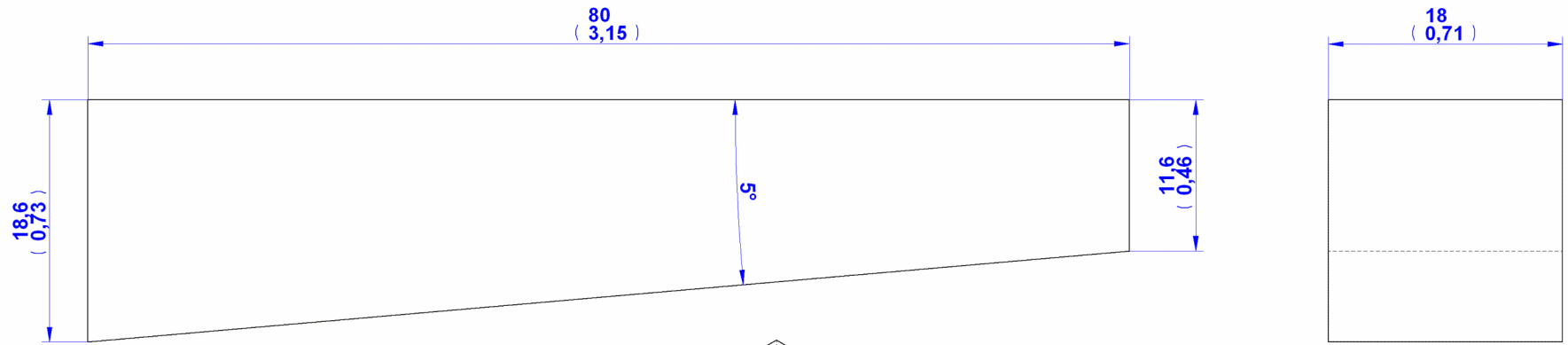


1. Table Leg 2

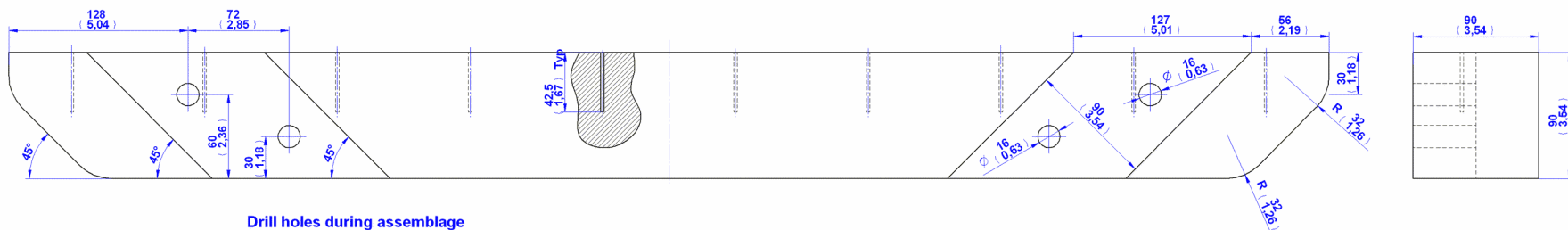


3. Bench and Table Stretcher

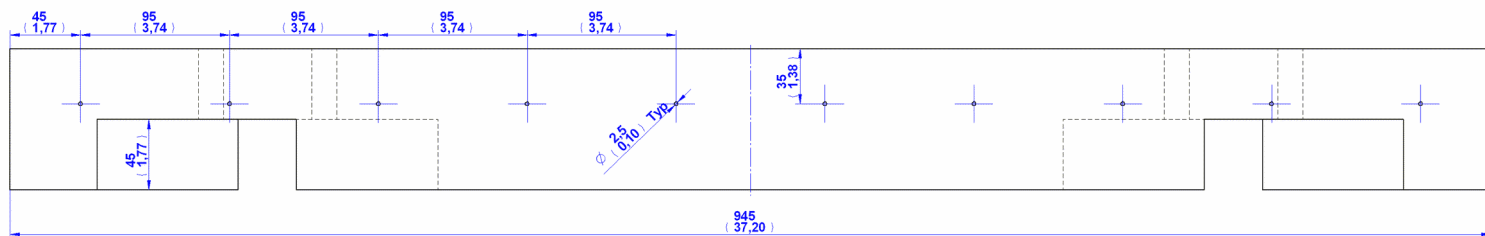




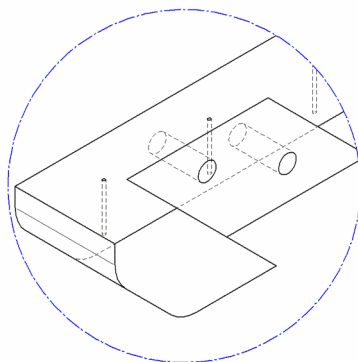
4. Tusk Wedge



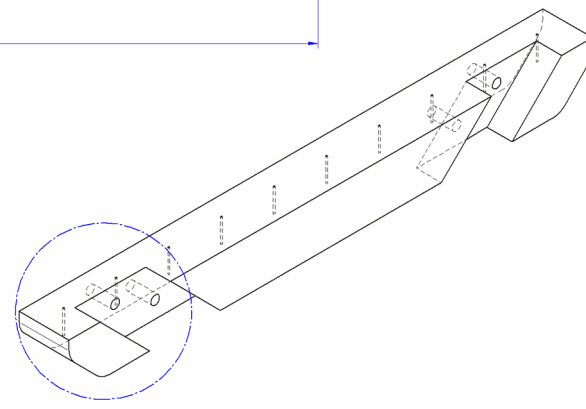
Drill holes during assemblage



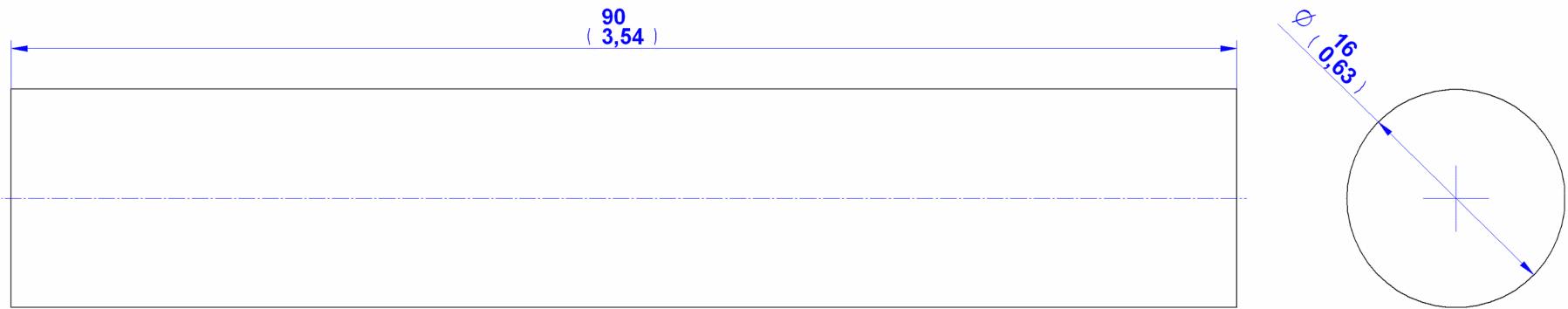
5. Table Cleat



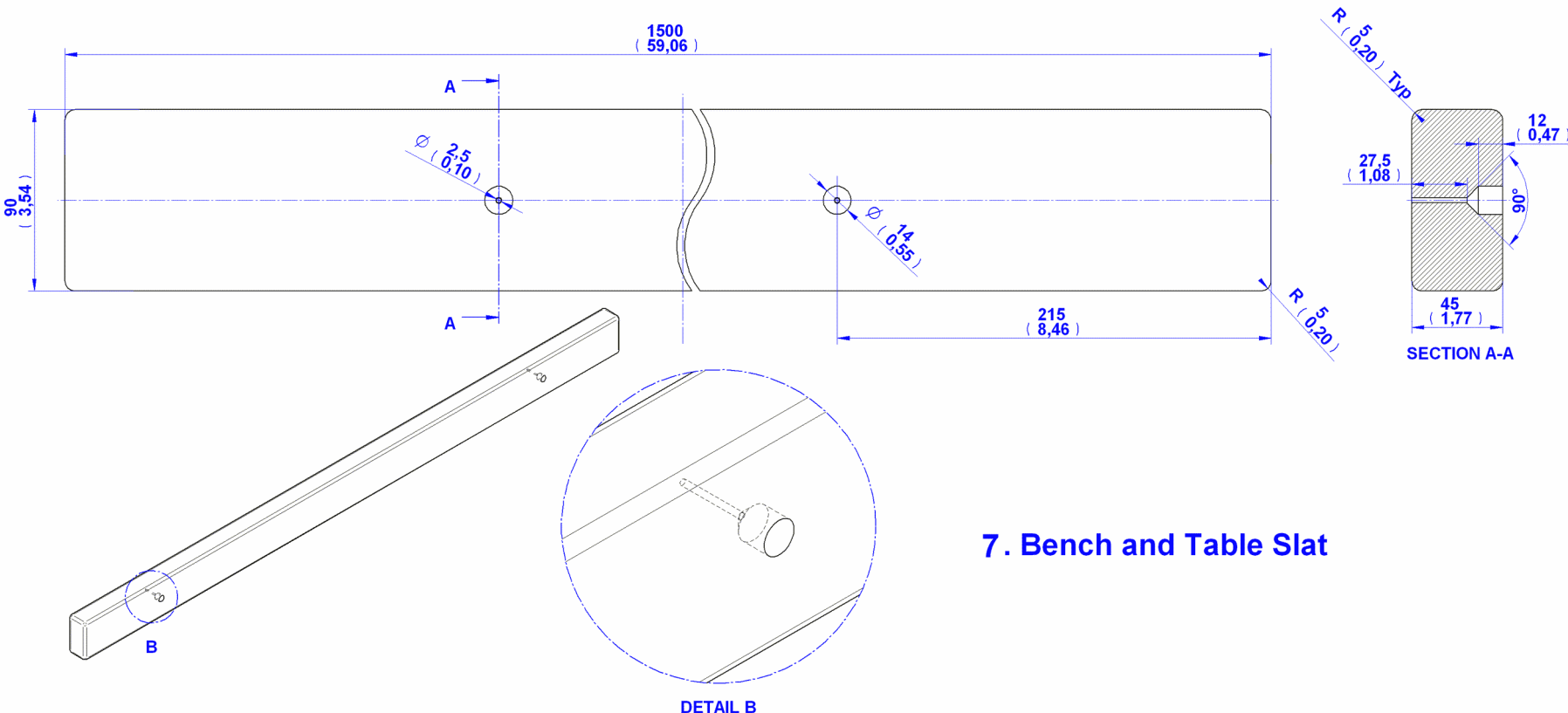
DETAIL A



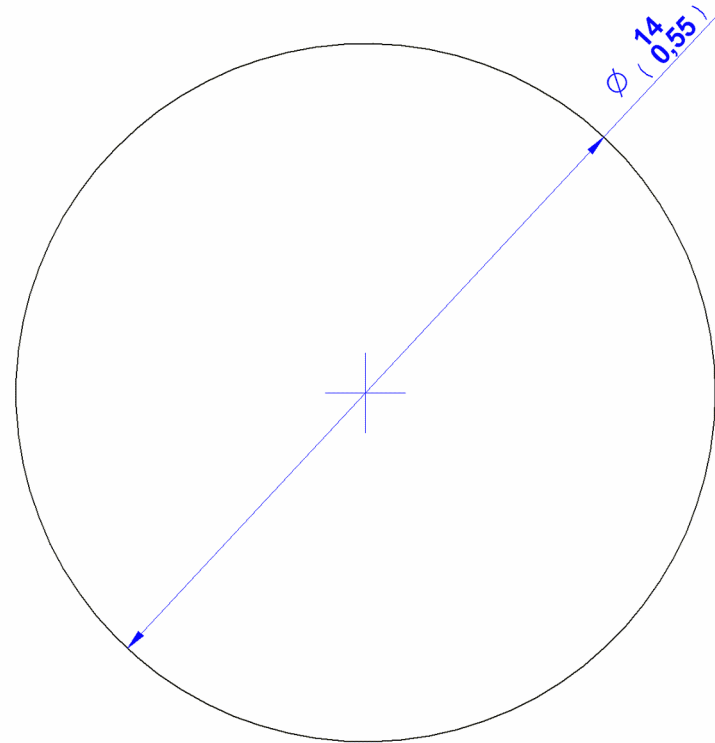
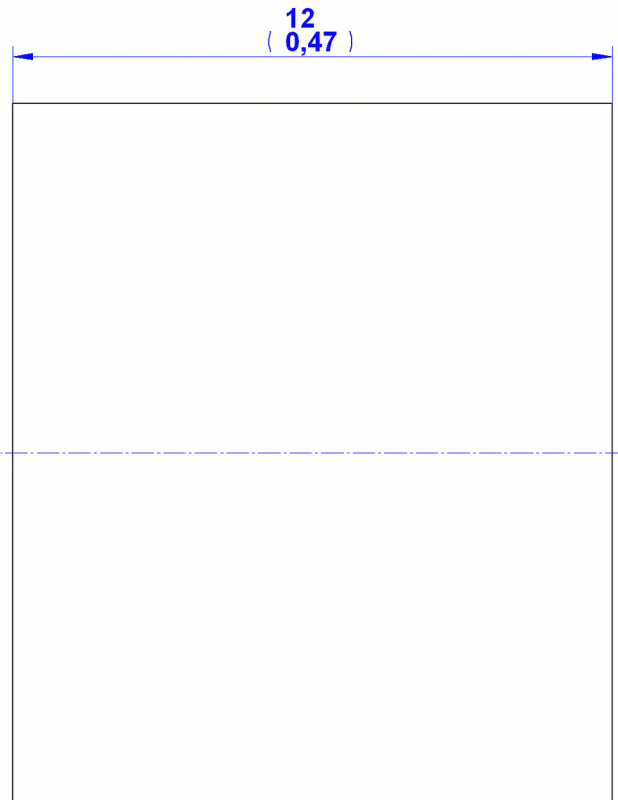
A



6. Dowel D16x90mm

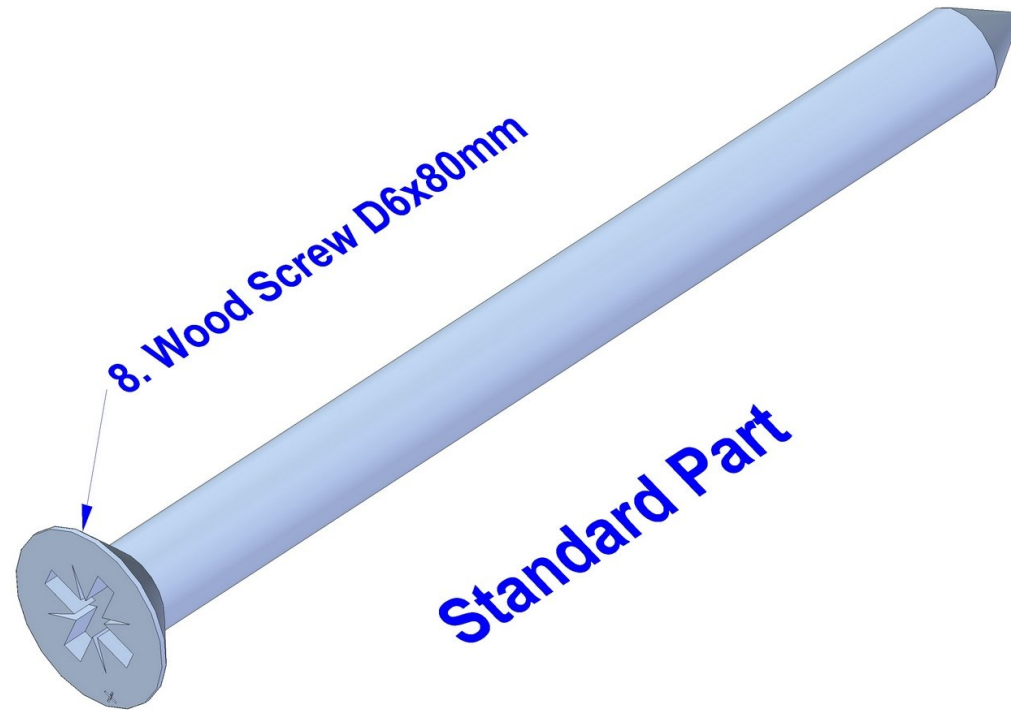


7. Bench and Table Slat

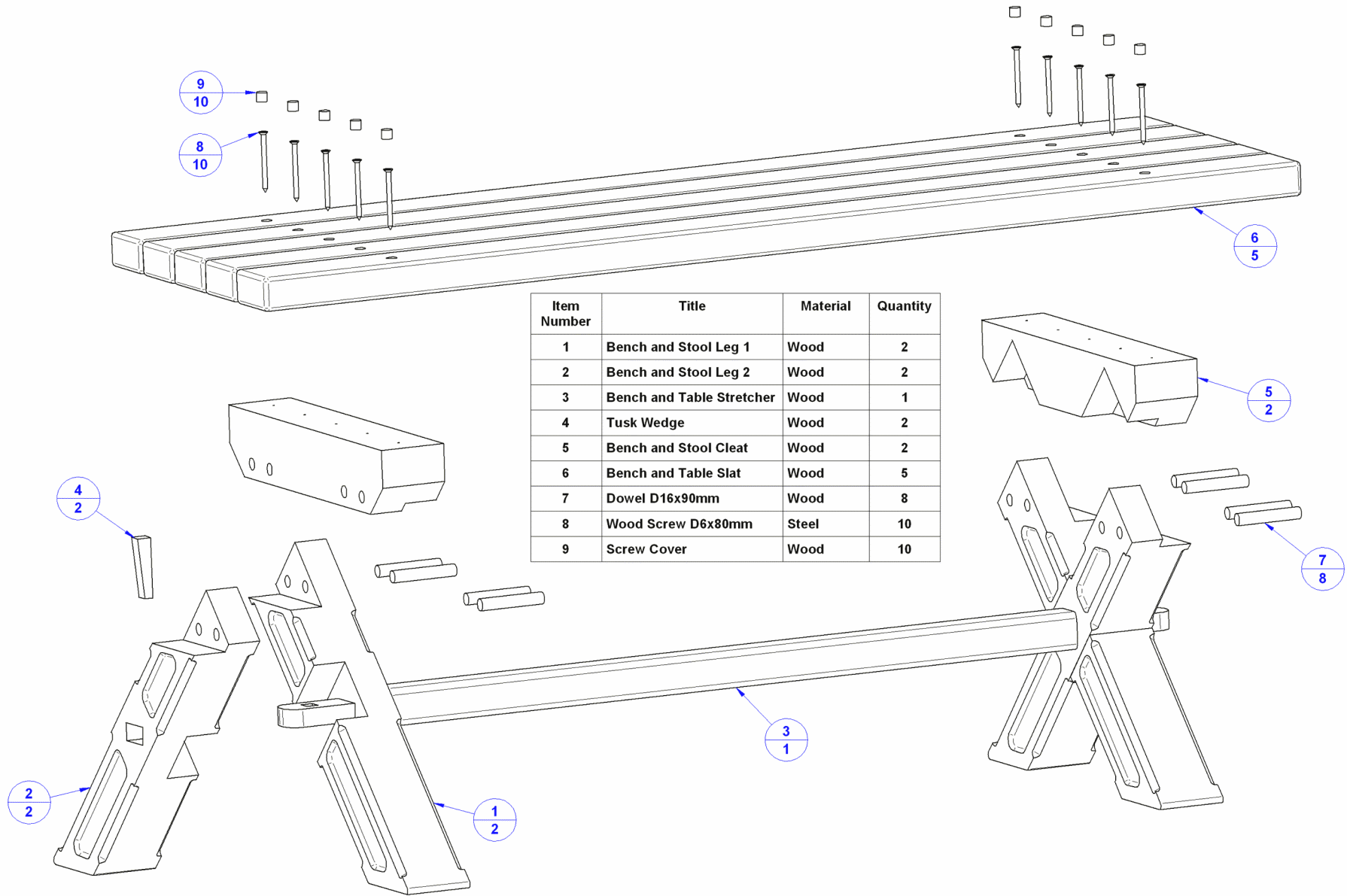


9. Screw Cover

Table Standard Parts

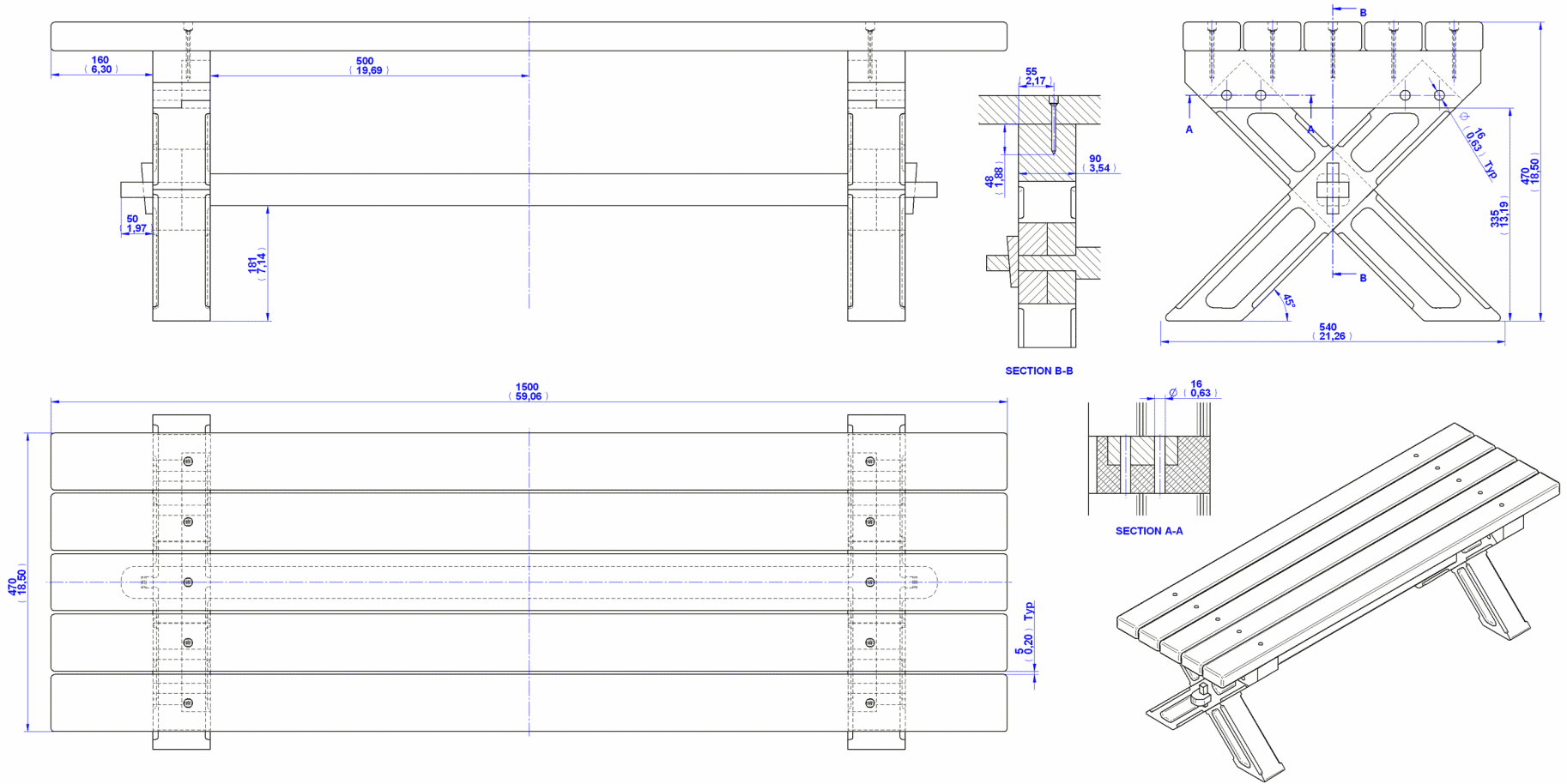


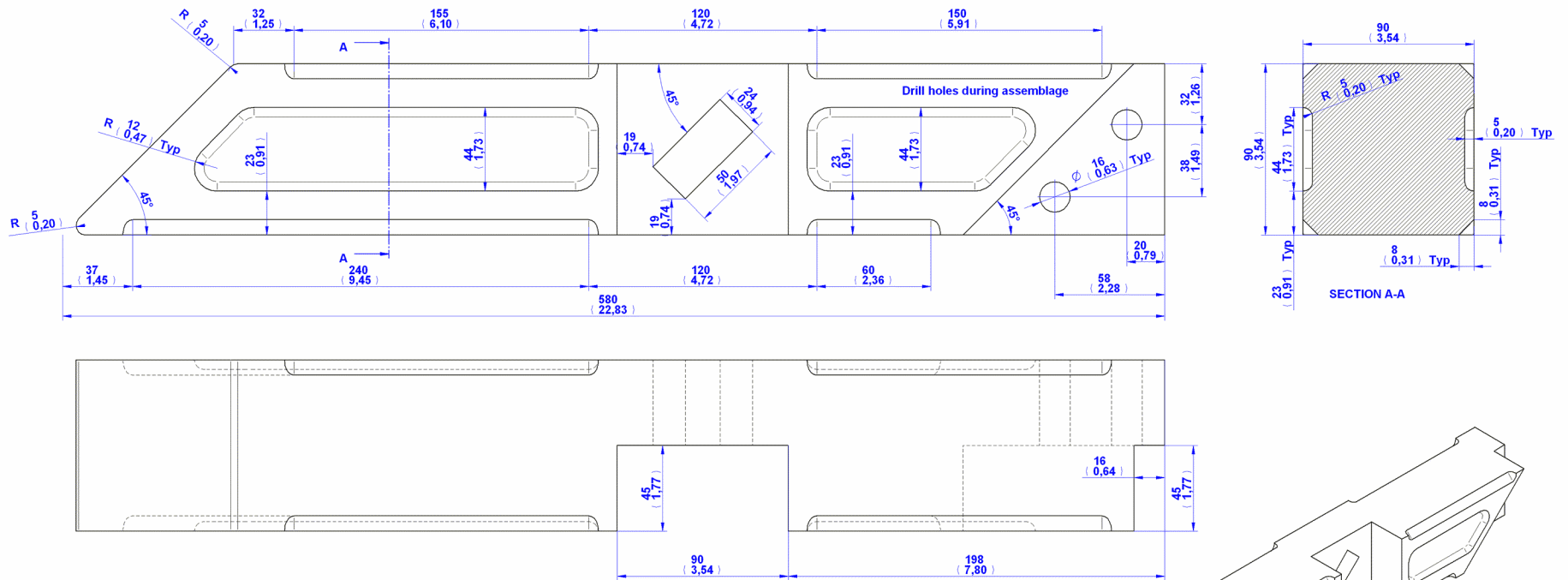
BENCH SUBASSEMBLY - Parts List



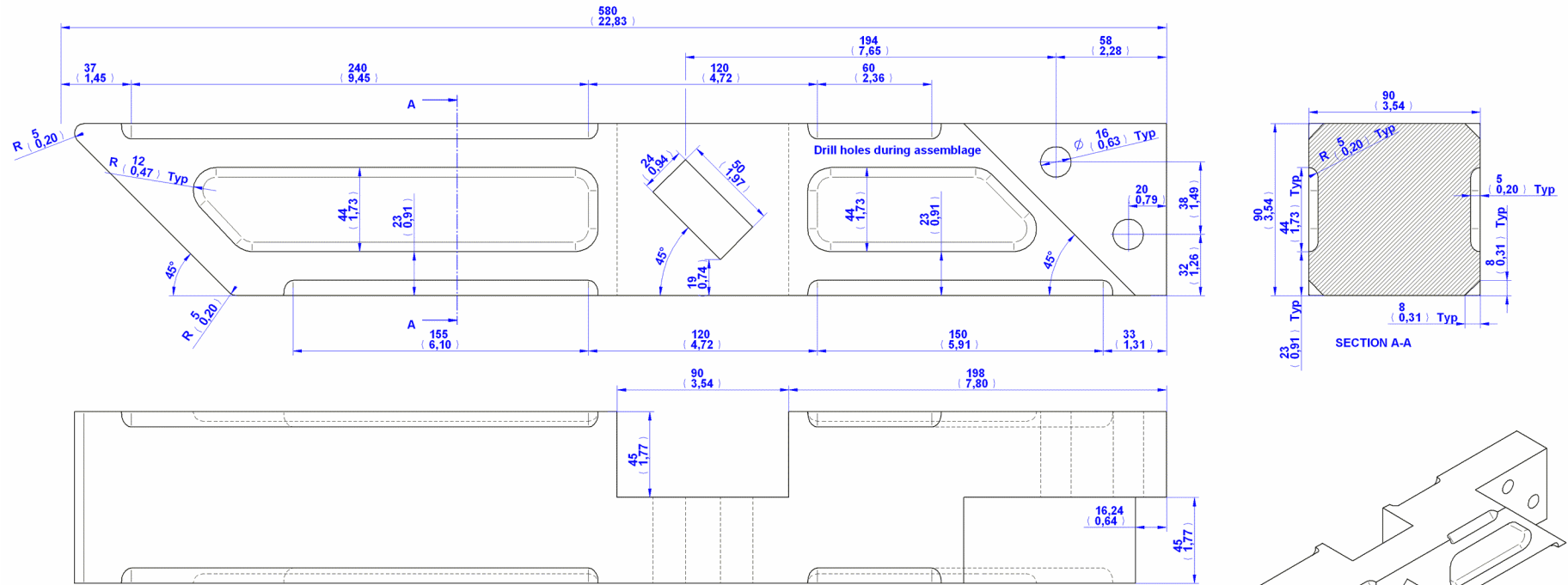
Item Number	Title	Material	Quantity
1	Bench and Stool Leg 1	Wood	2
2	Bench and Stool Leg 2	Wood	2
3	Bench and Table Stretcher	Wood	1
4	Tusk Wedge	Wood	2
5	Bench and Stool Cleat	Wood	2
6	Bench and Table Slat	Wood	5
7	Dowel D16x90mm	Wood	8
8	Wood Screw D6x80mm	Steel	10
9	Screw Cover	Wood	10

Assembly Drawing

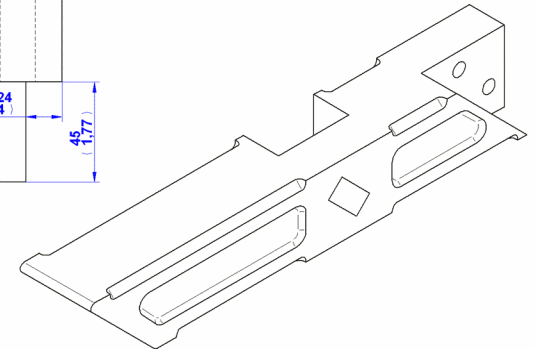


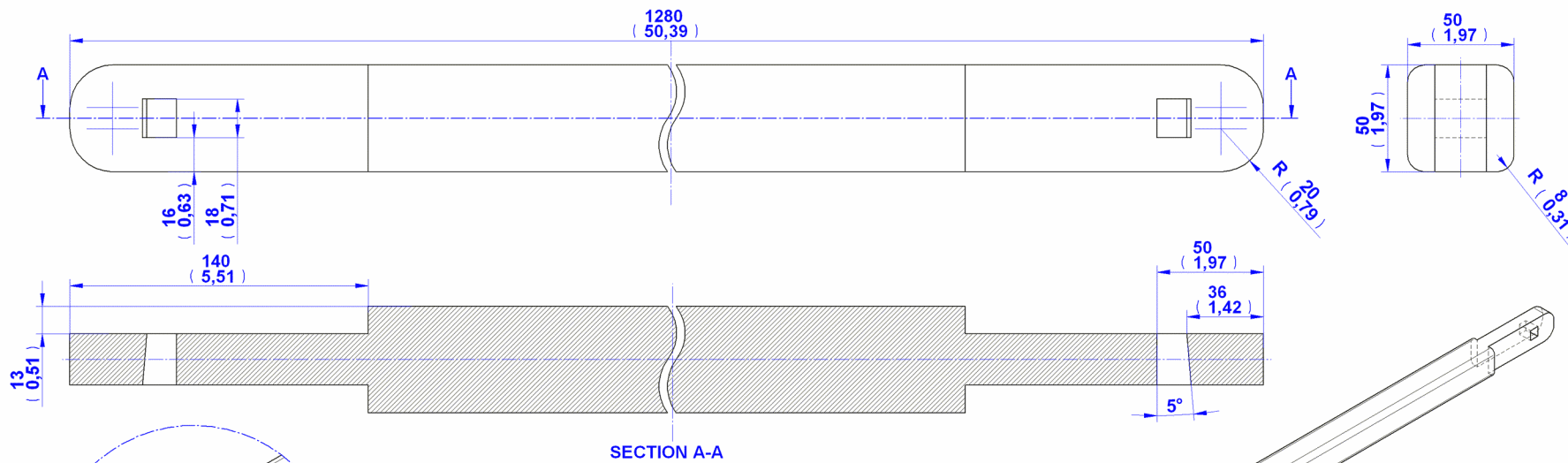


1. Bench and Stool Leg 1

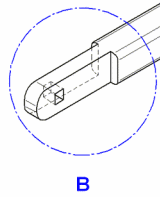
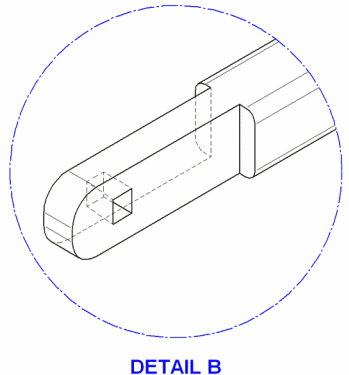


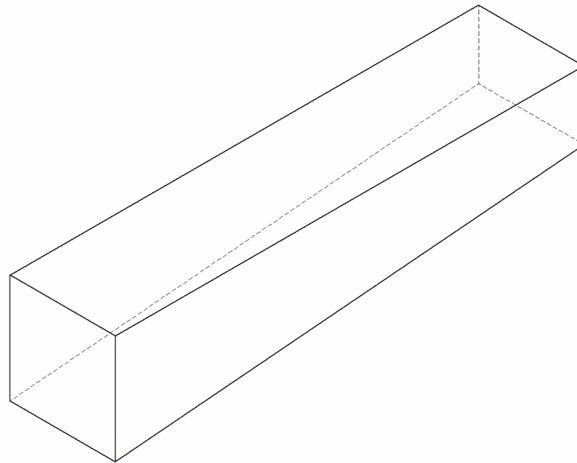
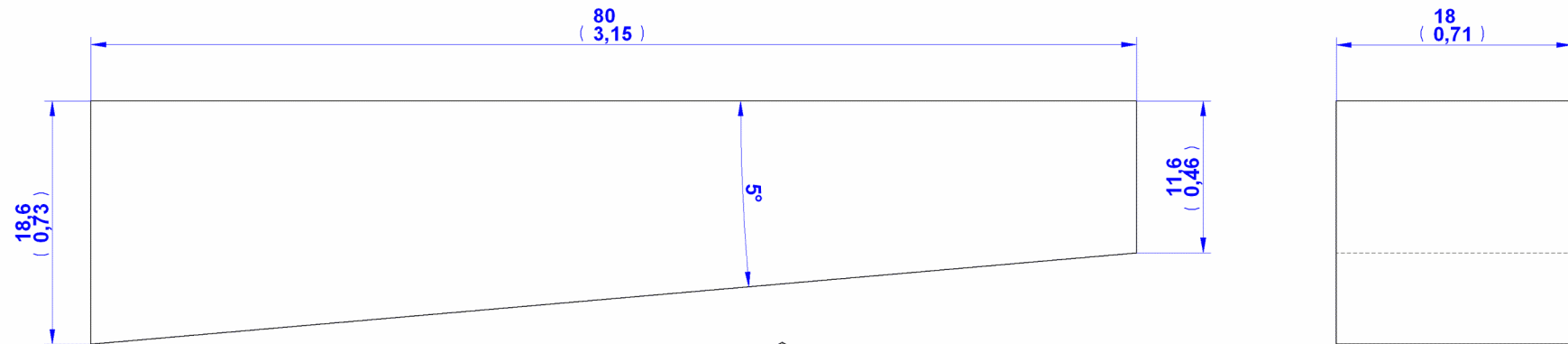
2. Bench and Stool Leg 2



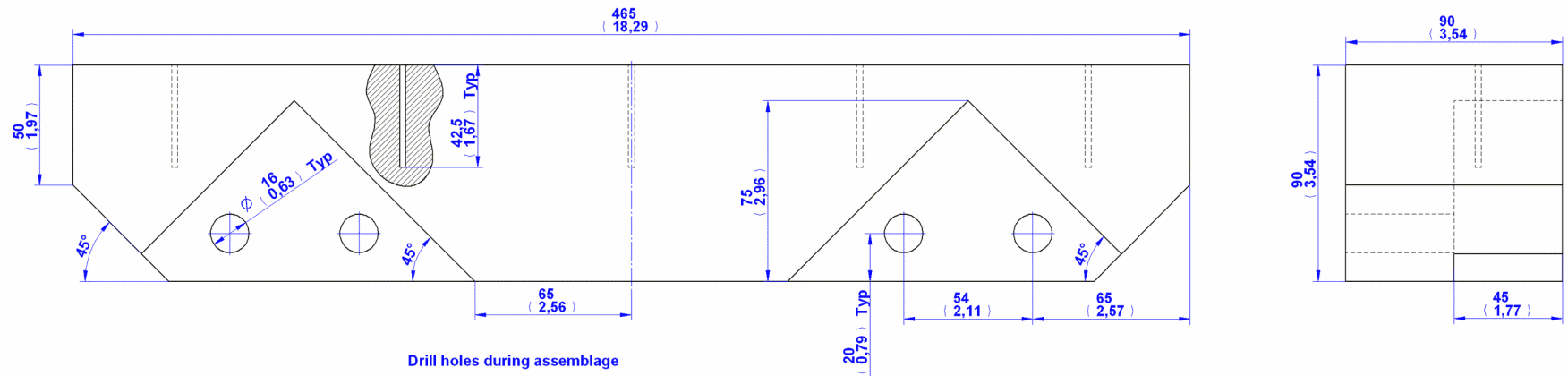


3. Bench and Table Stretcher

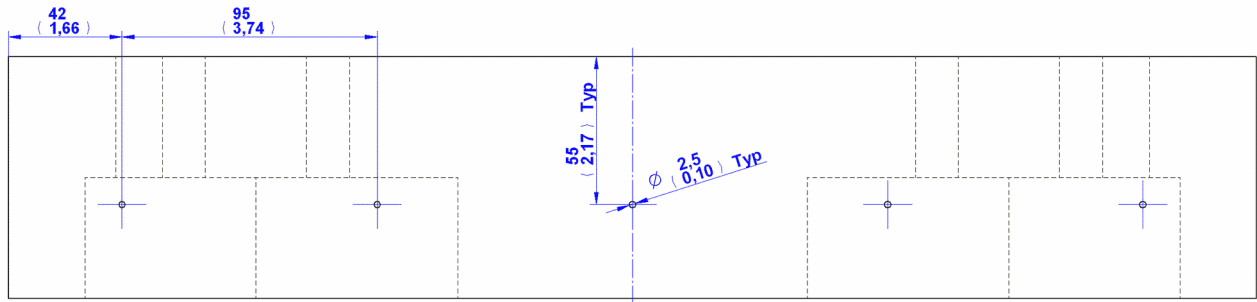




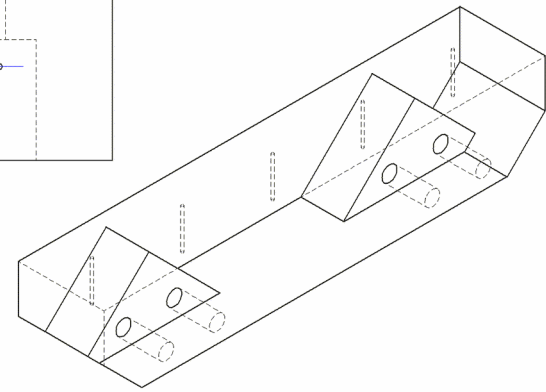
4. Tusk Wedge

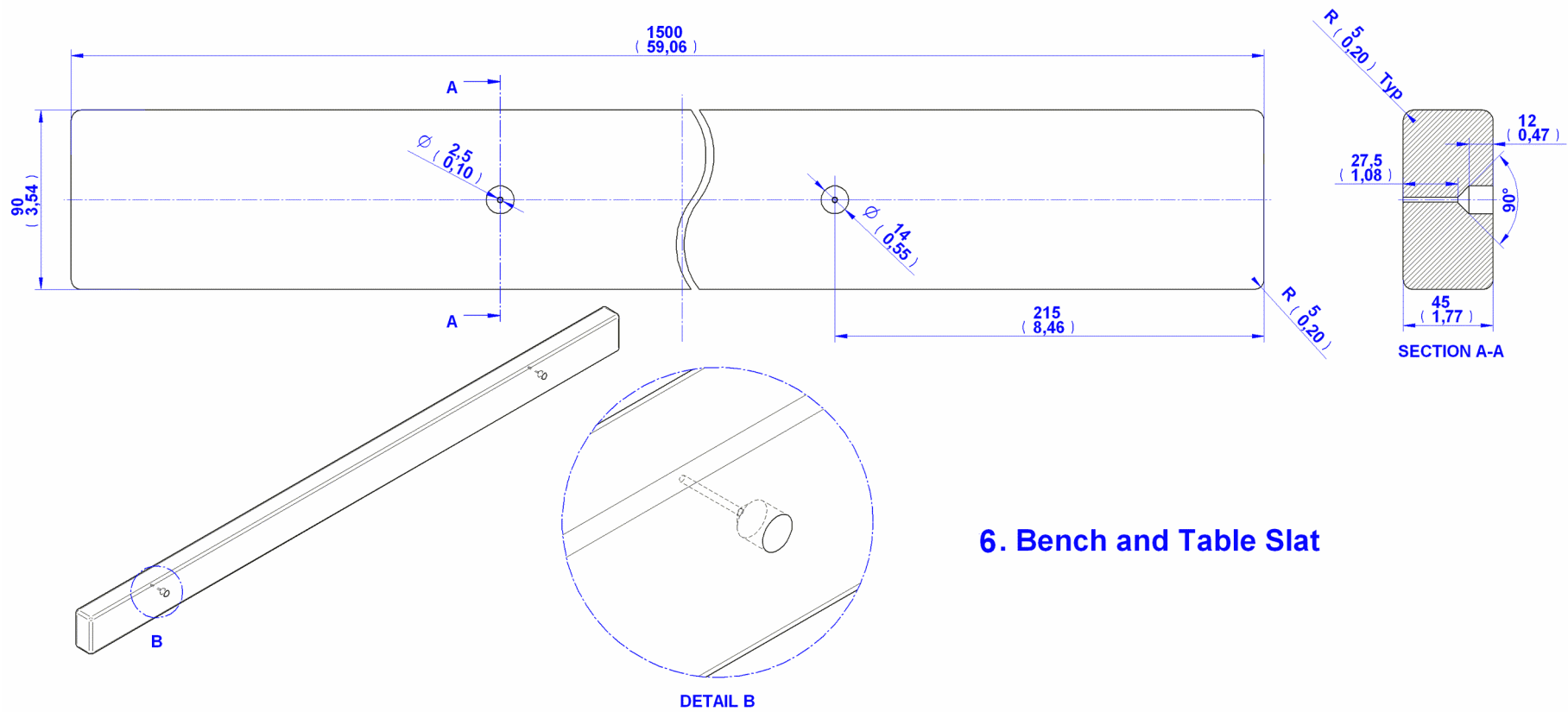


Drill holes during assemblage

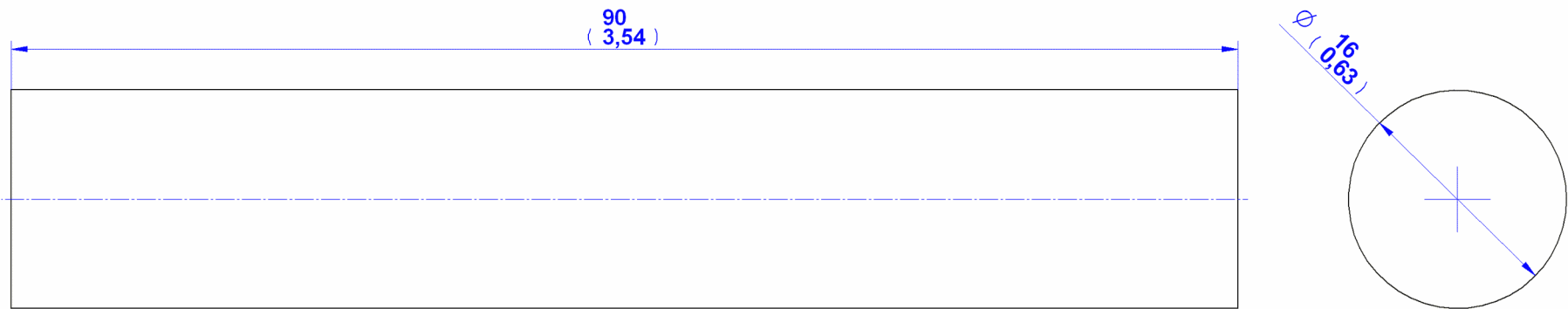


5. Bench and Stool Cleat

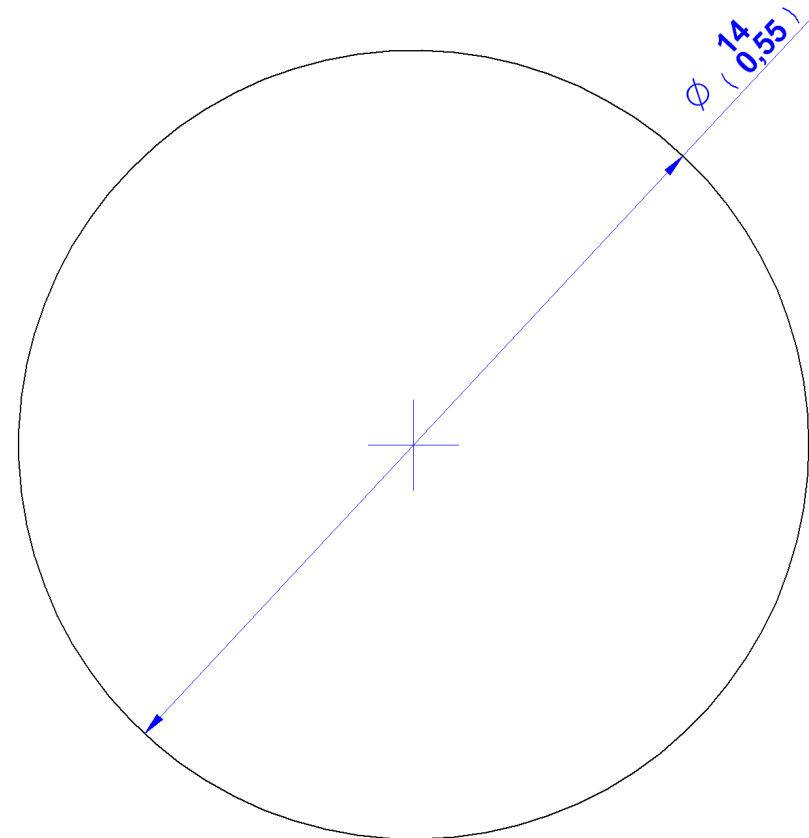
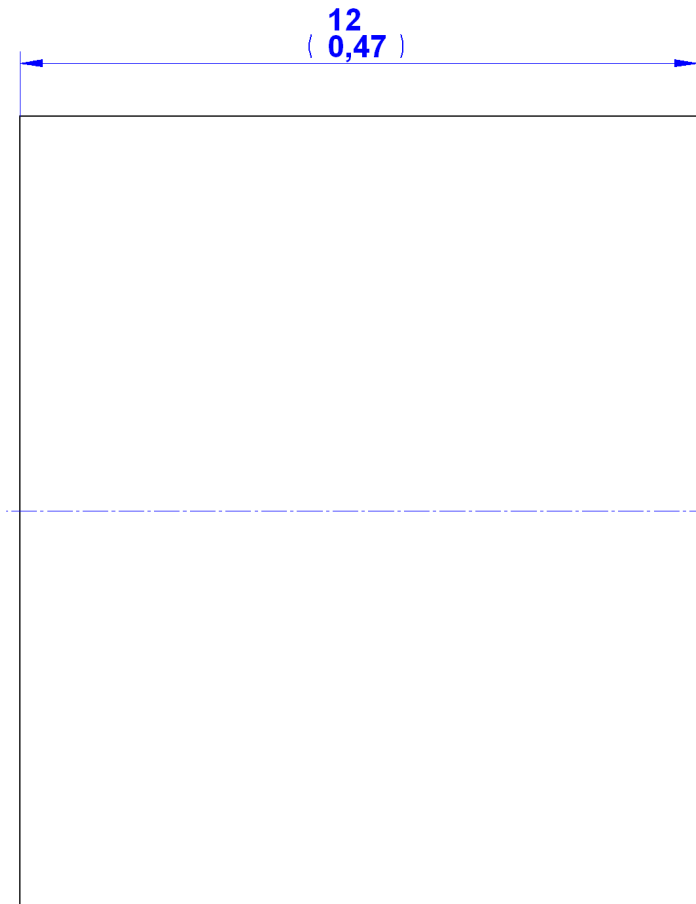




6. Bench and Table Slat

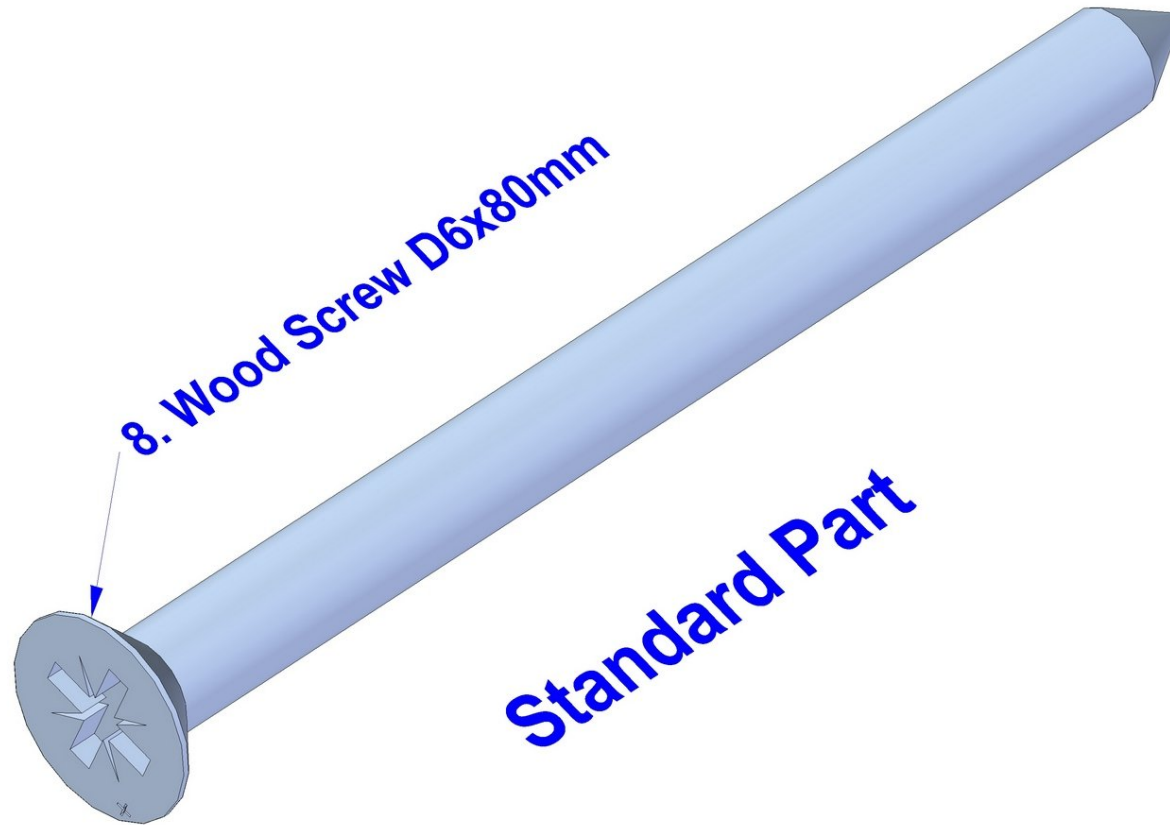


7. Dowel D16x90mm



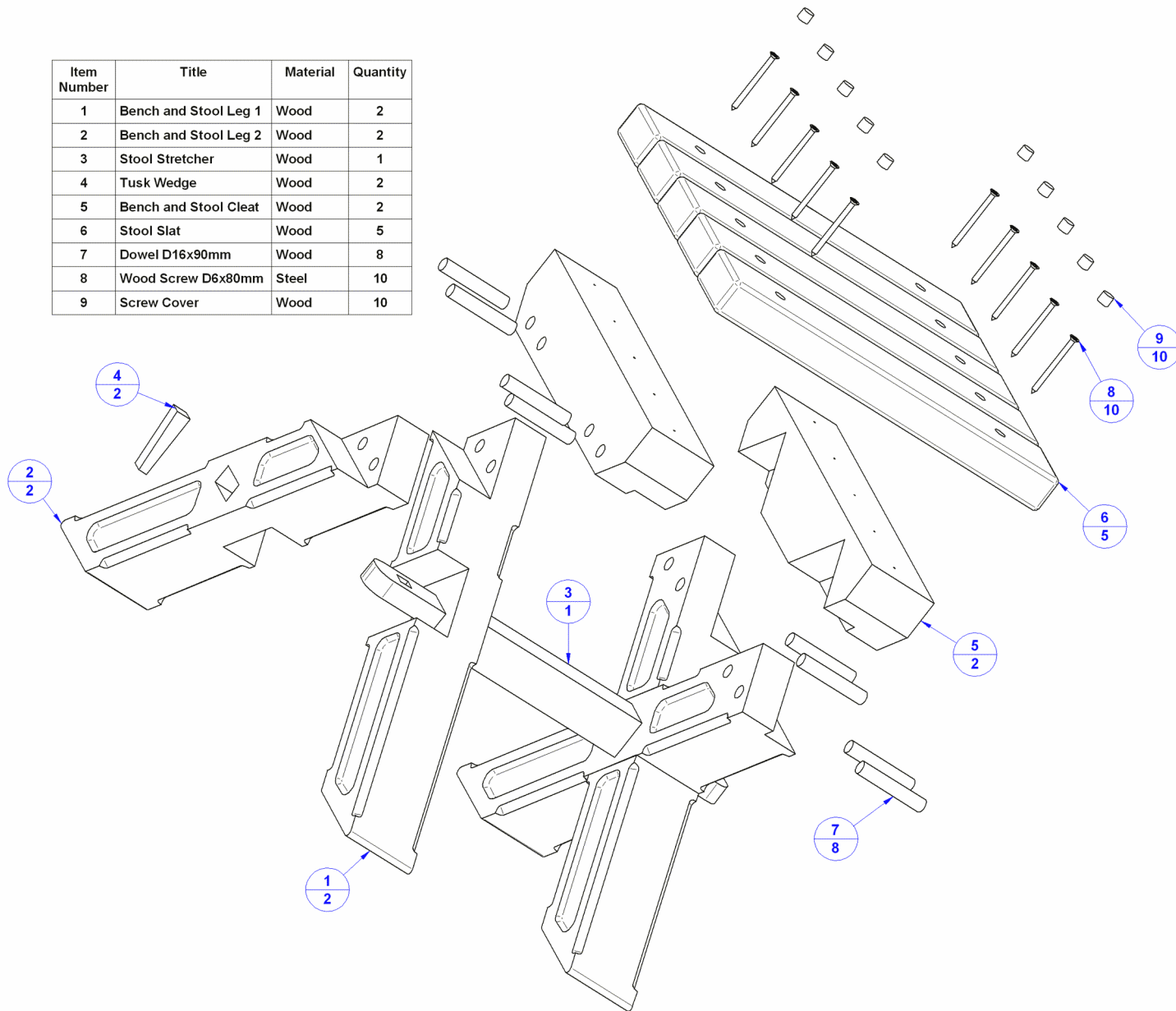
9. Screw Cover

Bench Standard Part

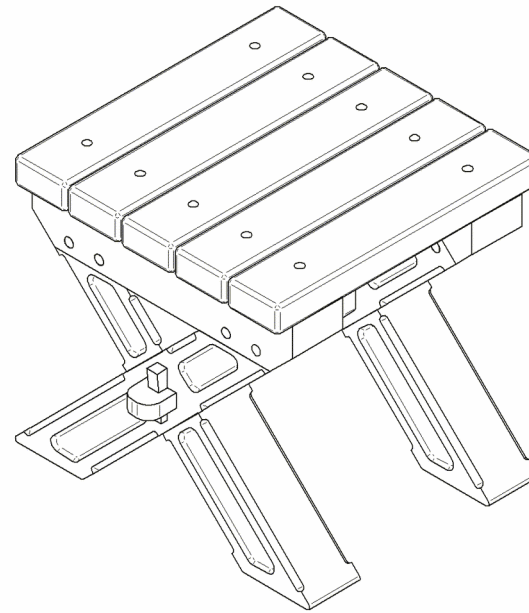
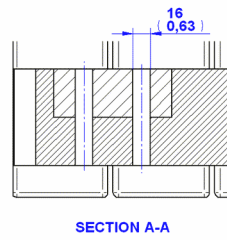
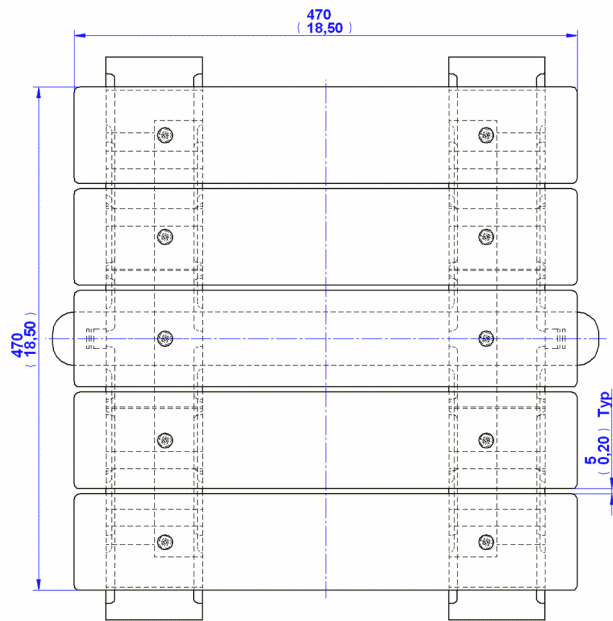
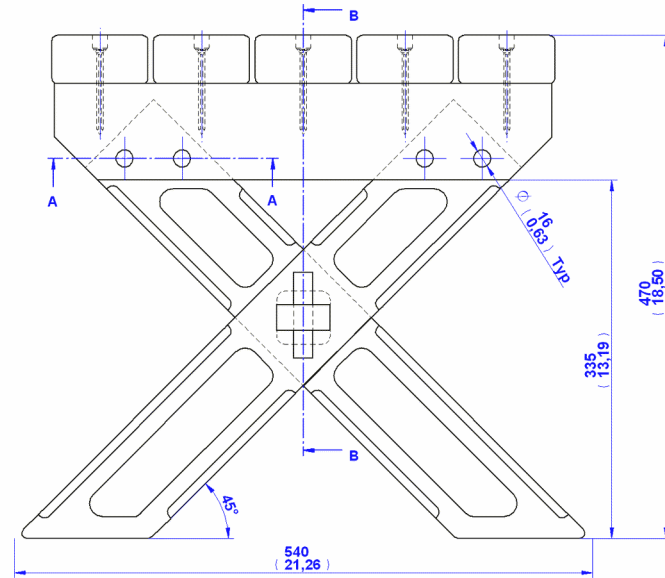
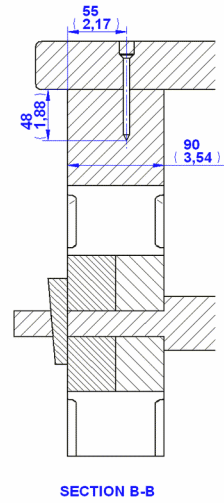
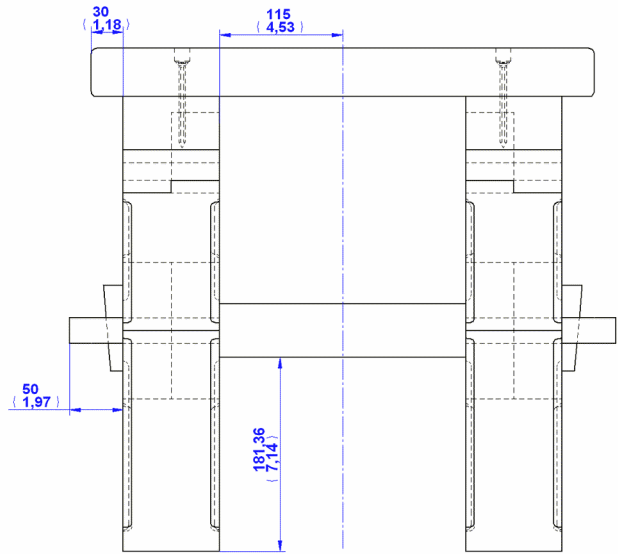


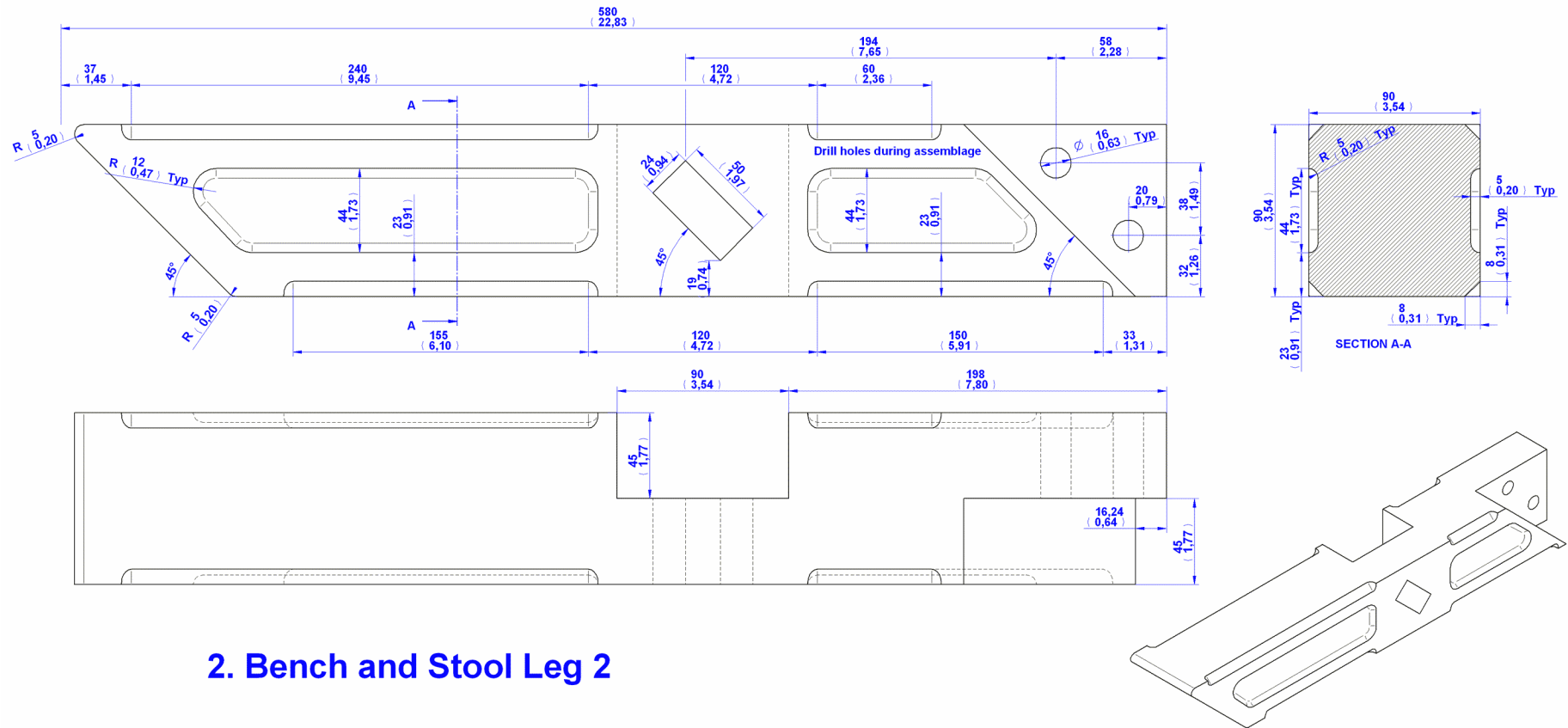
STOOL SUBASSEMBLY - Parts List

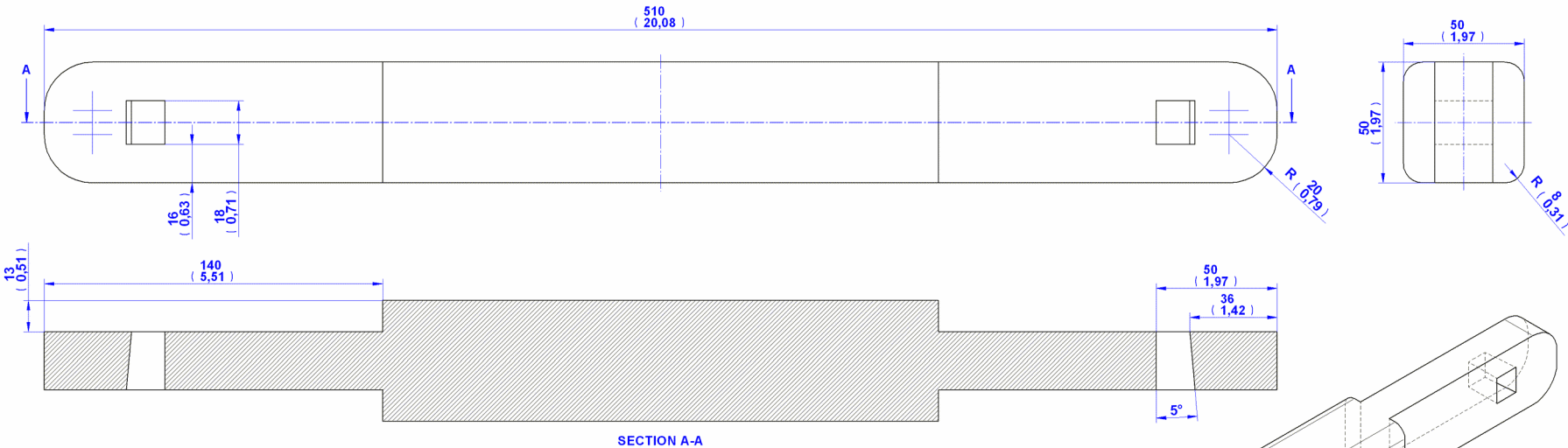
Item Number	Title	Material	Quantity
1	Bench and Stool Leg 1	Wood	2
2	Bench and Stool Leg 2	Wood	2
3	Stool Stretcher	Wood	1
4	Tusk Wedge	Wood	2
5	Bench and Stool Cleat	Wood	2
6	Stool Slat	Wood	5
7	Dowel D16x90mm	Wood	8
8	Wood Screw D6x80mm	Steel	10
9	Screw Cover	Wood	10



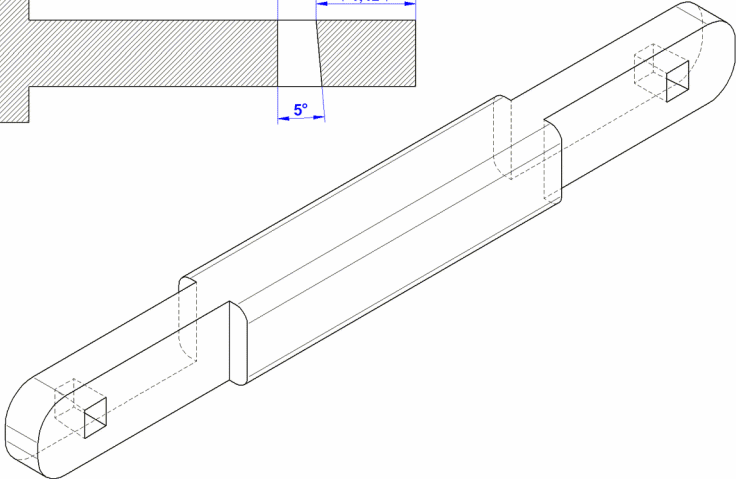
Stool Assembly Drawing

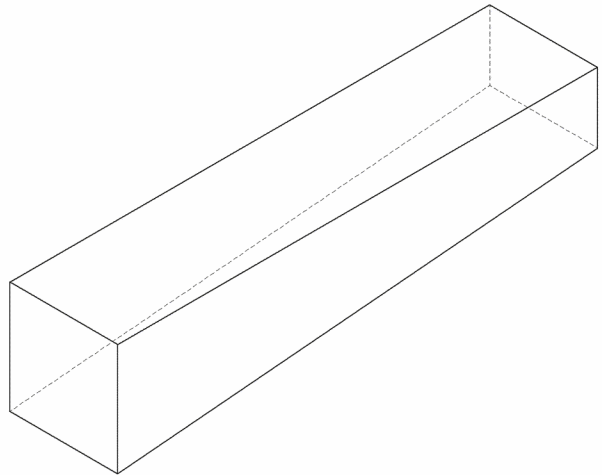
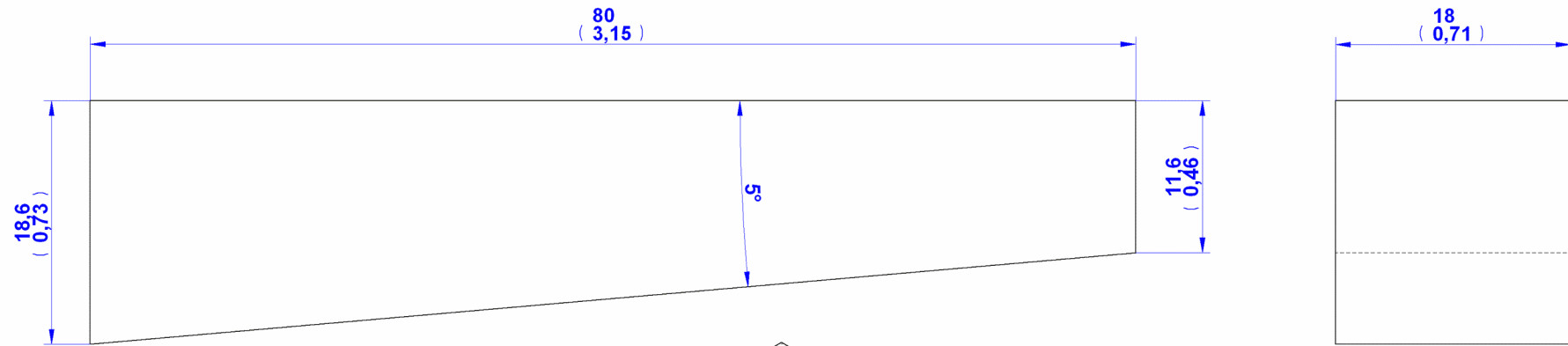




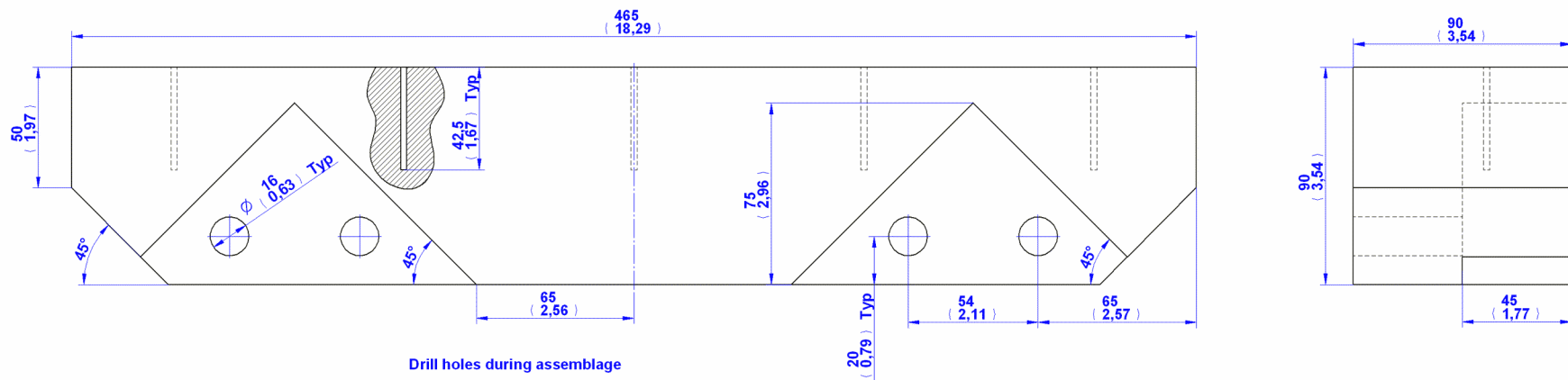


3. Stool Stretcher

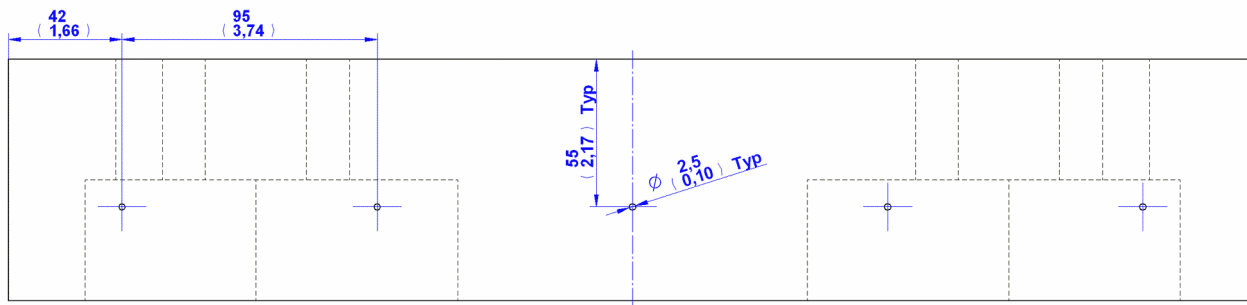




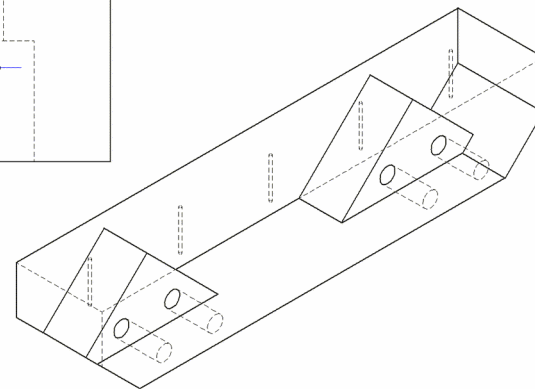
4. Tusk Wedge

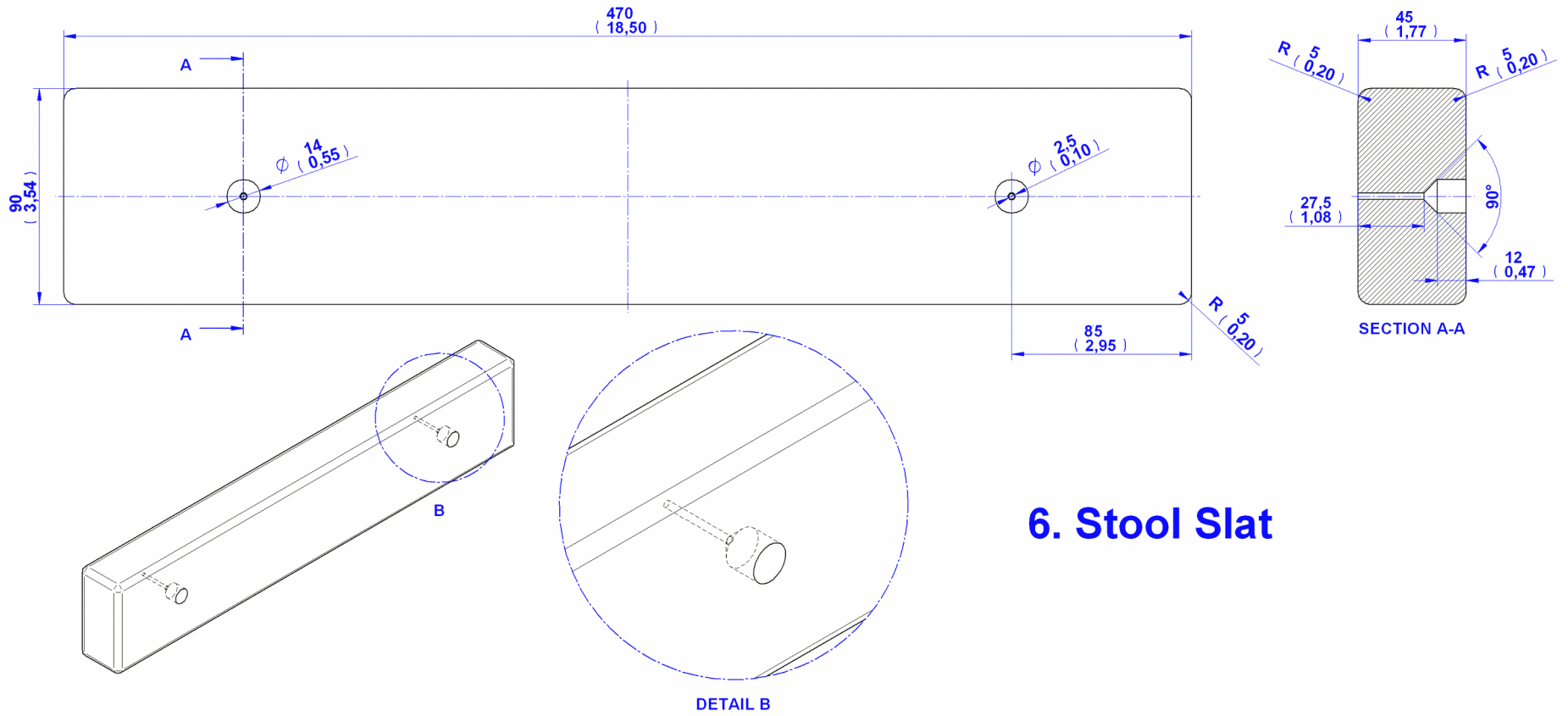


Drill holes during assemblage

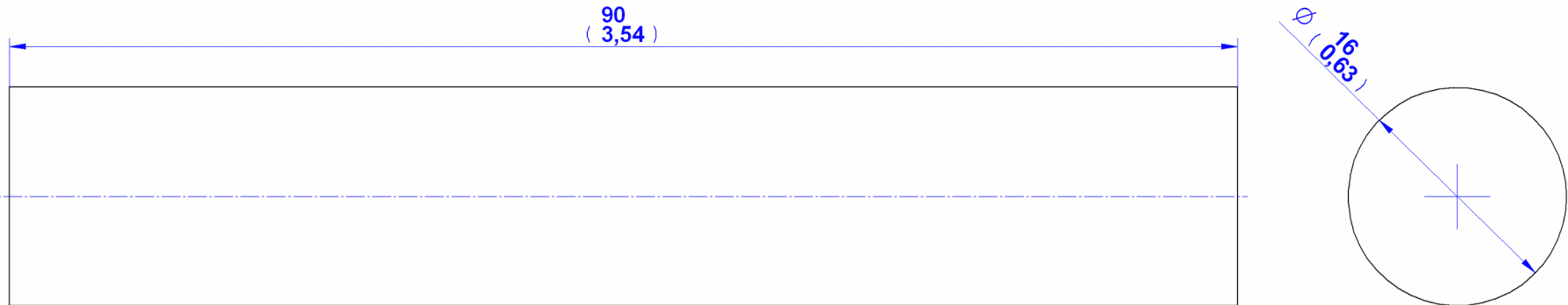


5. Bench and Stool Cleat

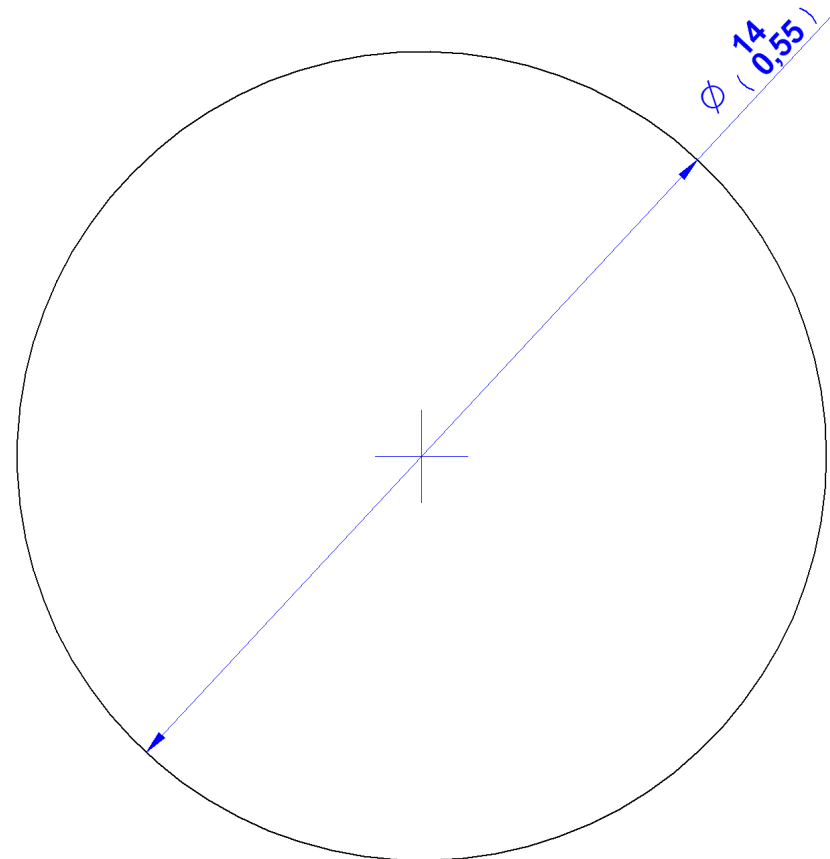
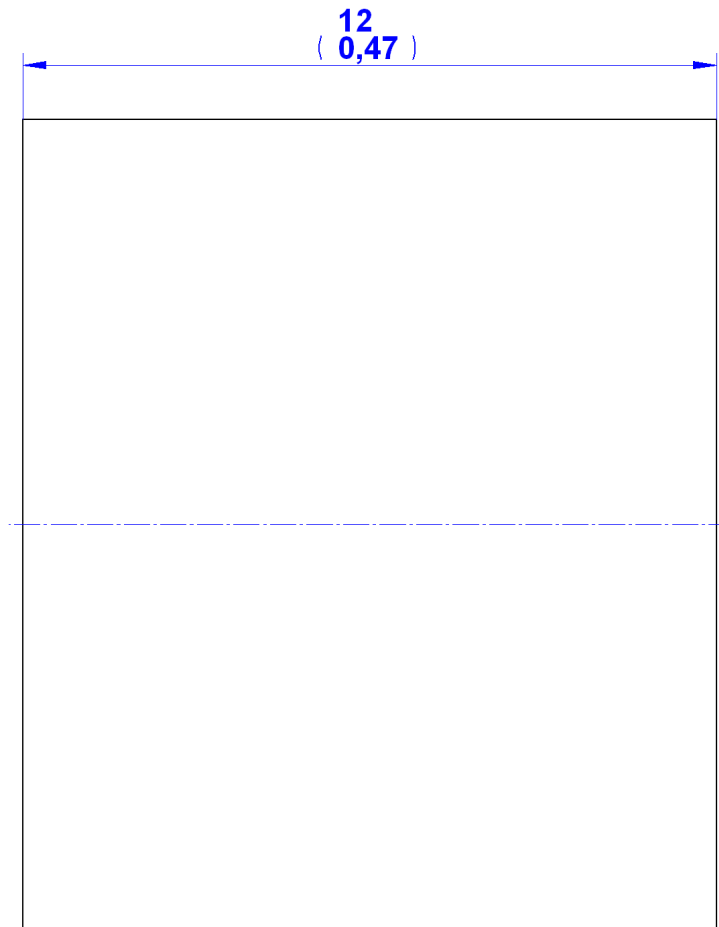




6. Stool Slat

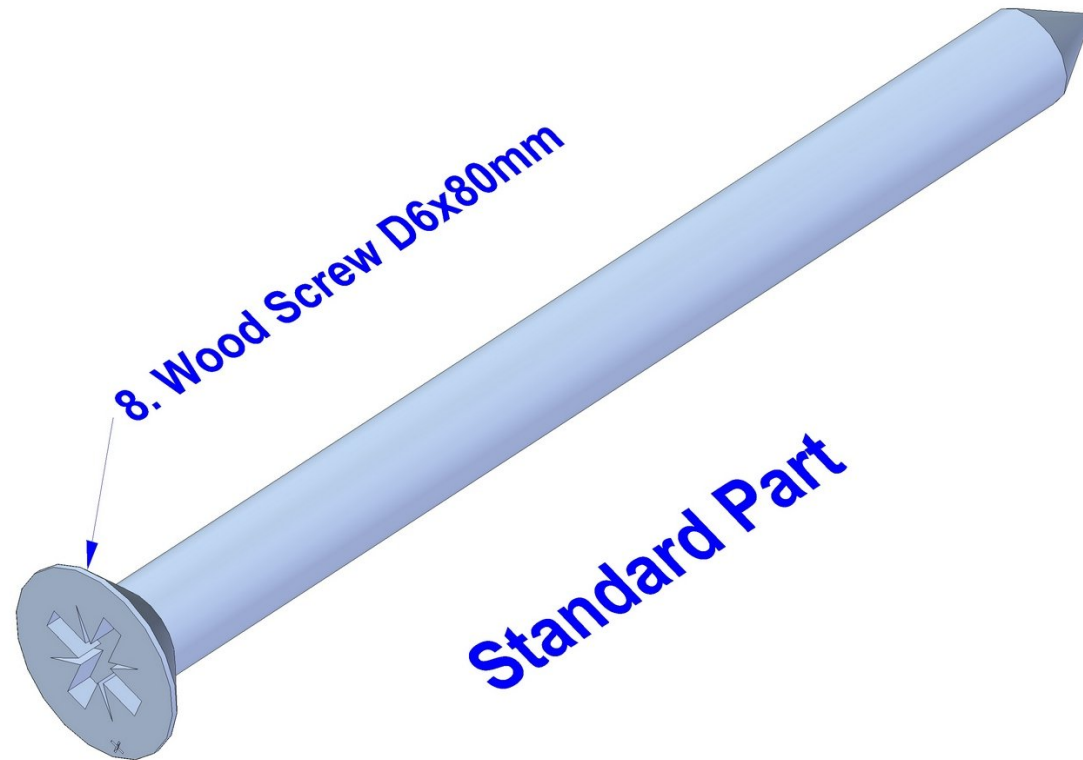


7. Dowel D16x90mm



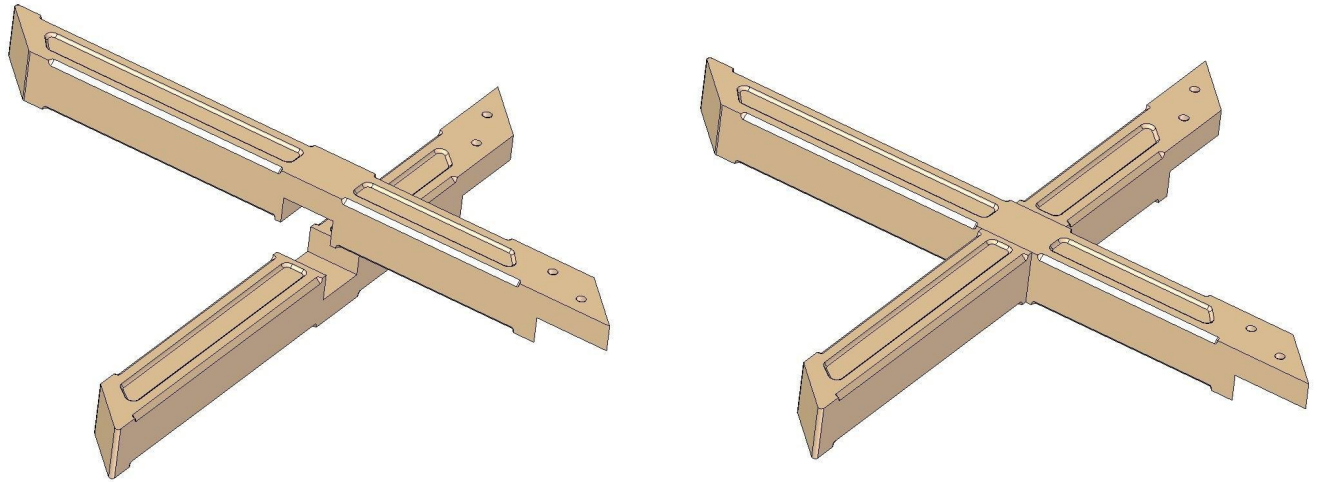
9. Screw Cover

Stool Standard Part

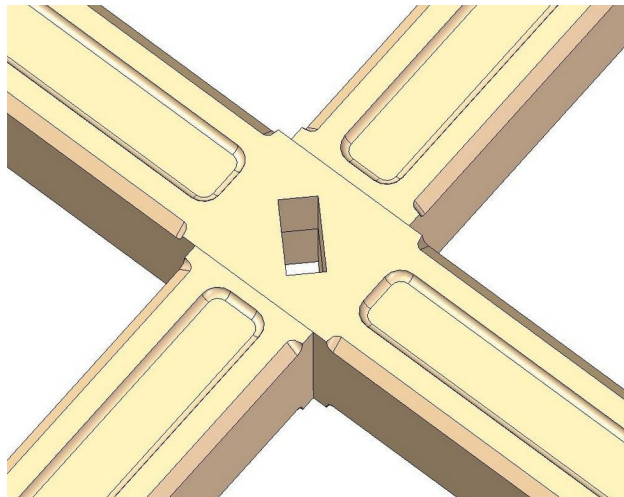


Assemblage images

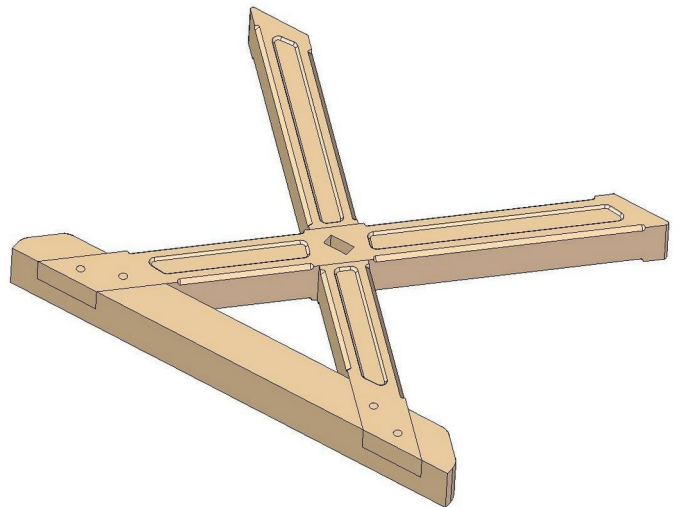
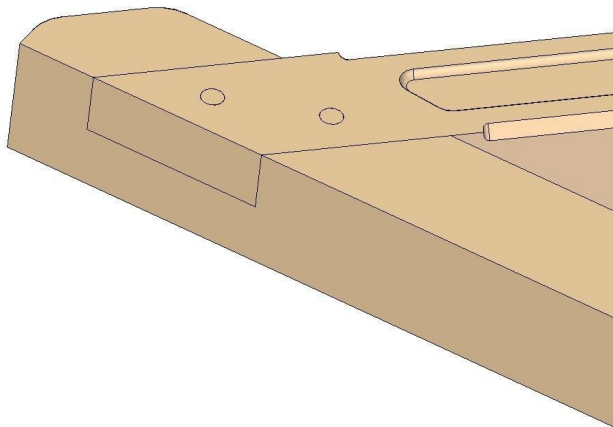
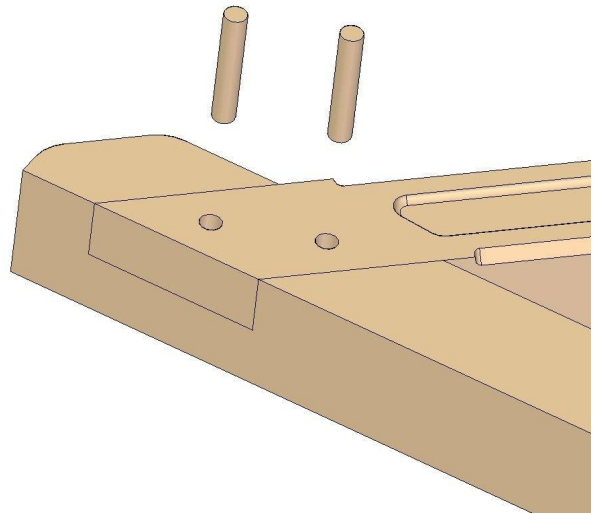
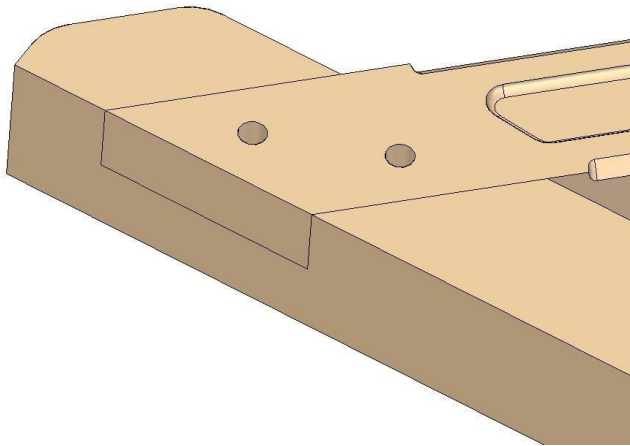
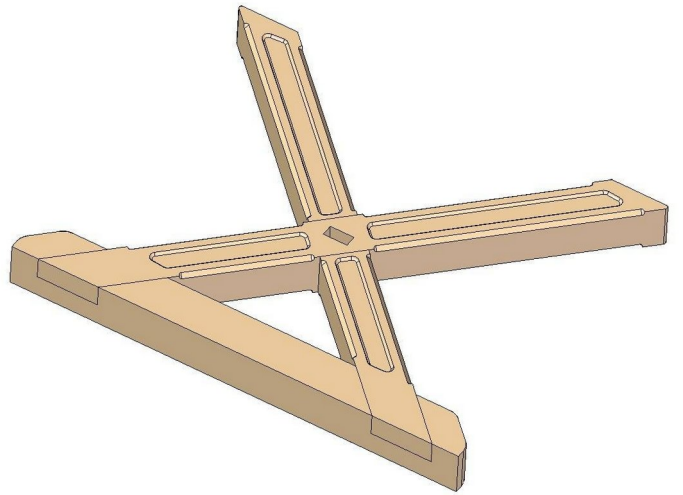
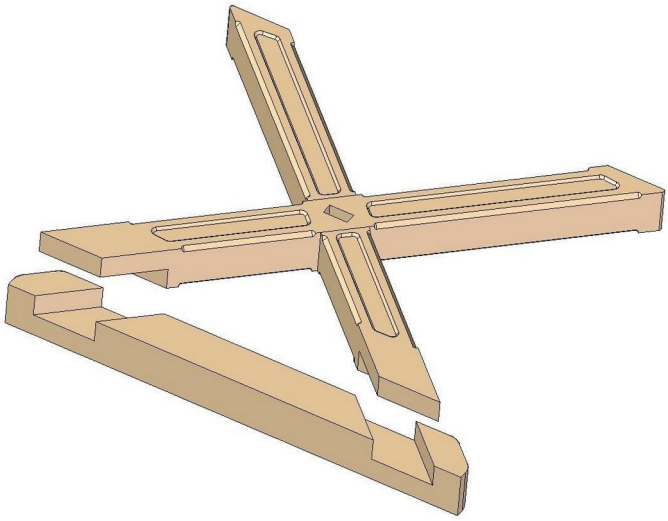
1.



2.

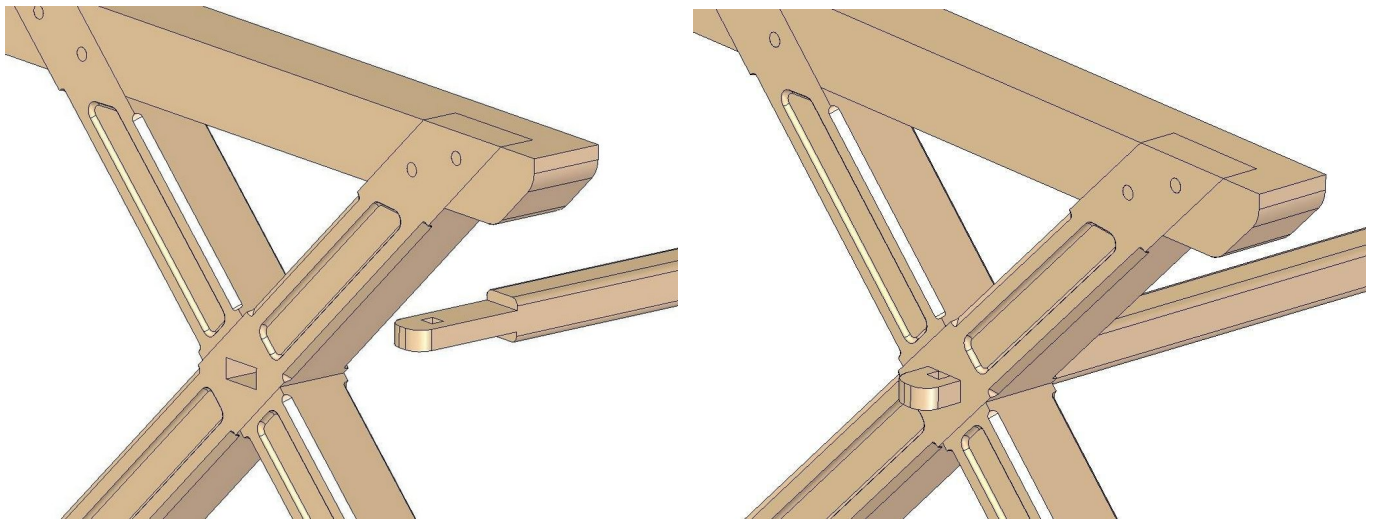


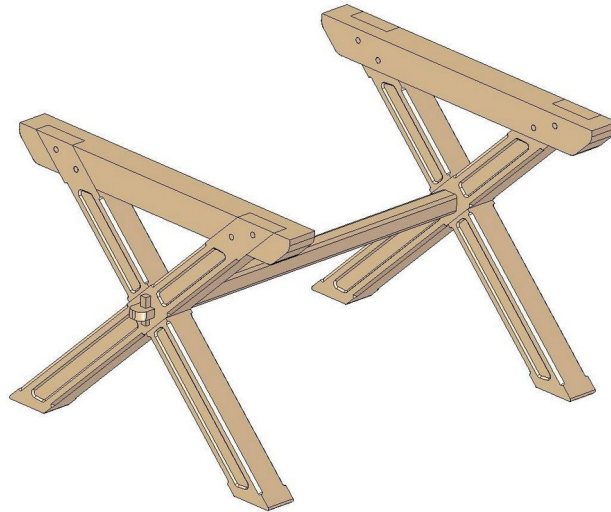
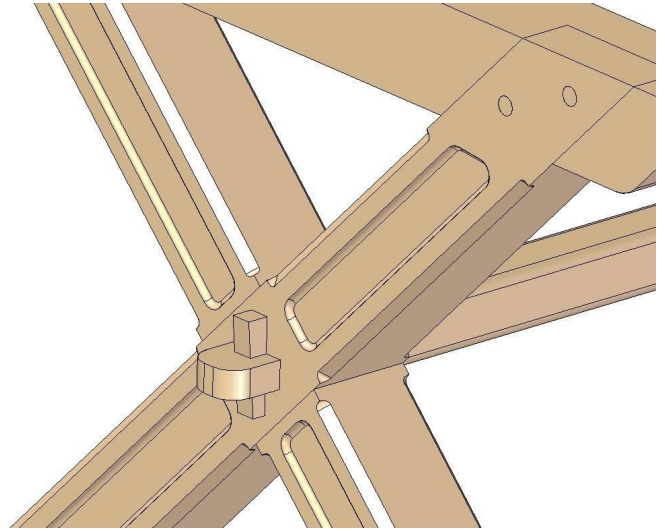
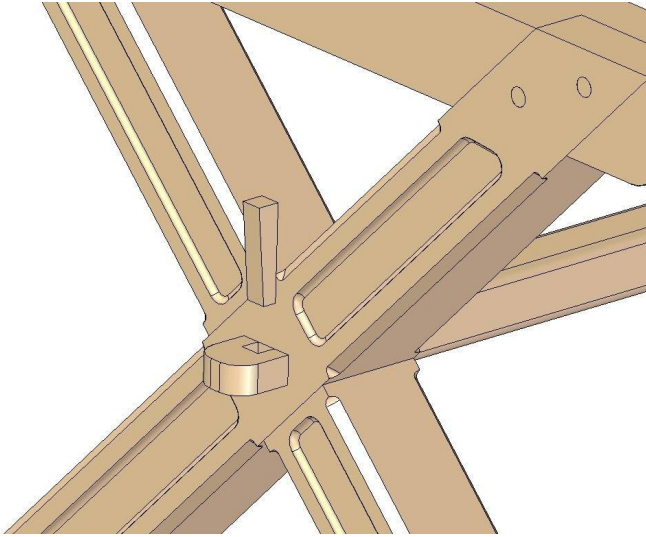
3.





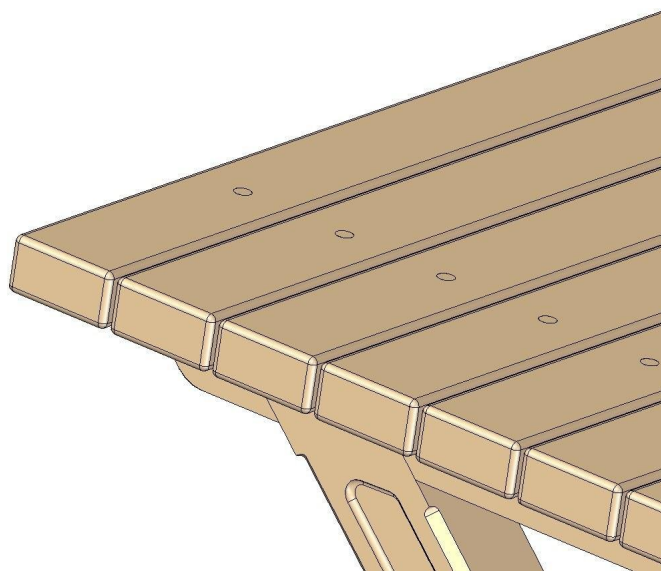
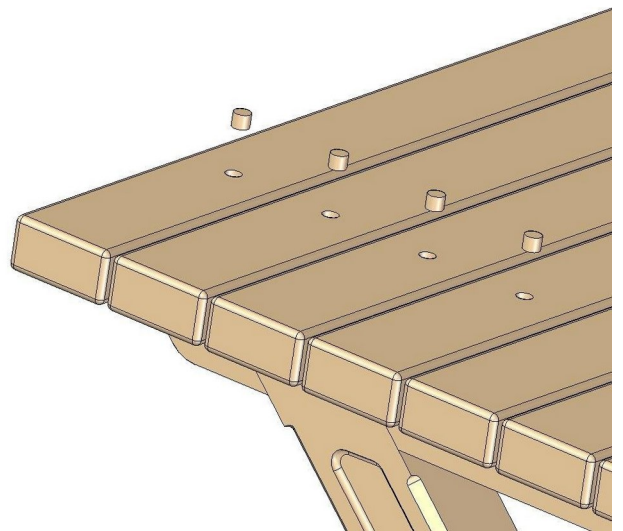
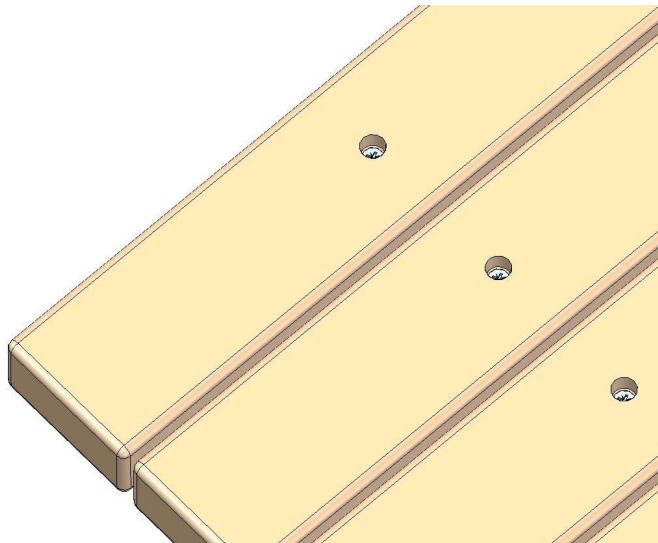
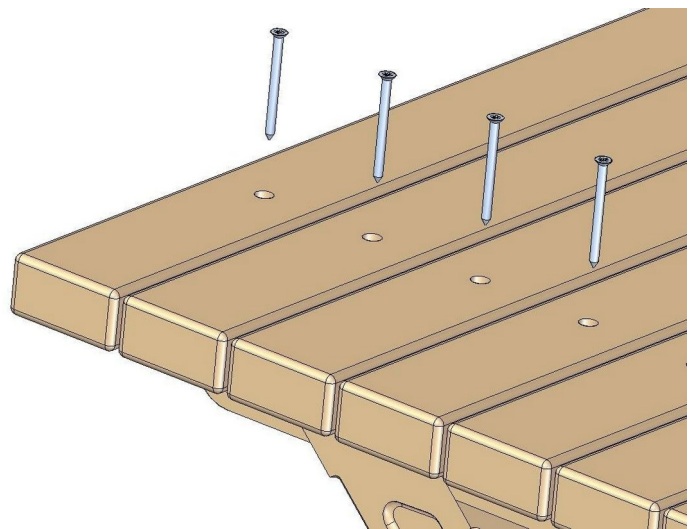
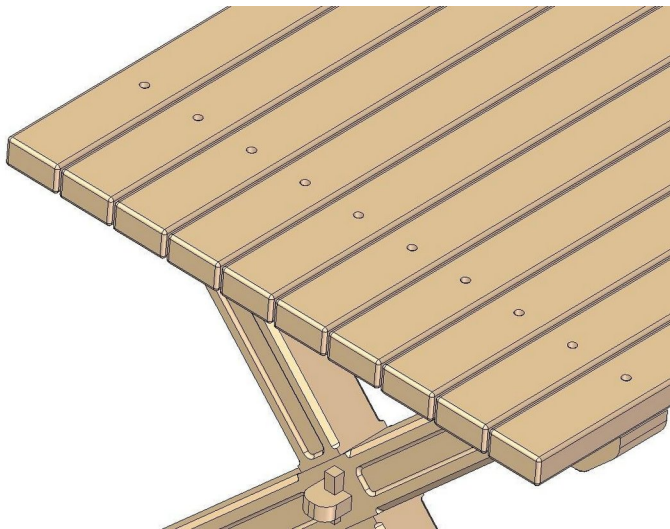
4.





5.





Chair And Bench Assemblage Instruction:
Follow exactly the same instructions to assemble the Bench and the Stool.