

Single mast tabletop easel plan

By following this easel plan you can make a simple but very functional easel that has a triangular base and stands firmly on the working surface. It is designed for the work at home or in the studio in a sitting position, since it is projected to be put on the table. It occupies very little space, so it is ideal for the apartments, schools or small studios. Since it is small and compact, it can easily be transported from one place to another. An easel made by this plan is adjustable easel that will accommodate a variety of different sized canvases. The maximum height of the painting which you can place and fix with the Canvas top retainer (Part 8 - Delimiter) is 650mm.

This easel can be used as a portable display easel at home, in the office, trade shows or showrooms, or it can be used as a display stand for menu in a restaurant, catalog of products, etc.

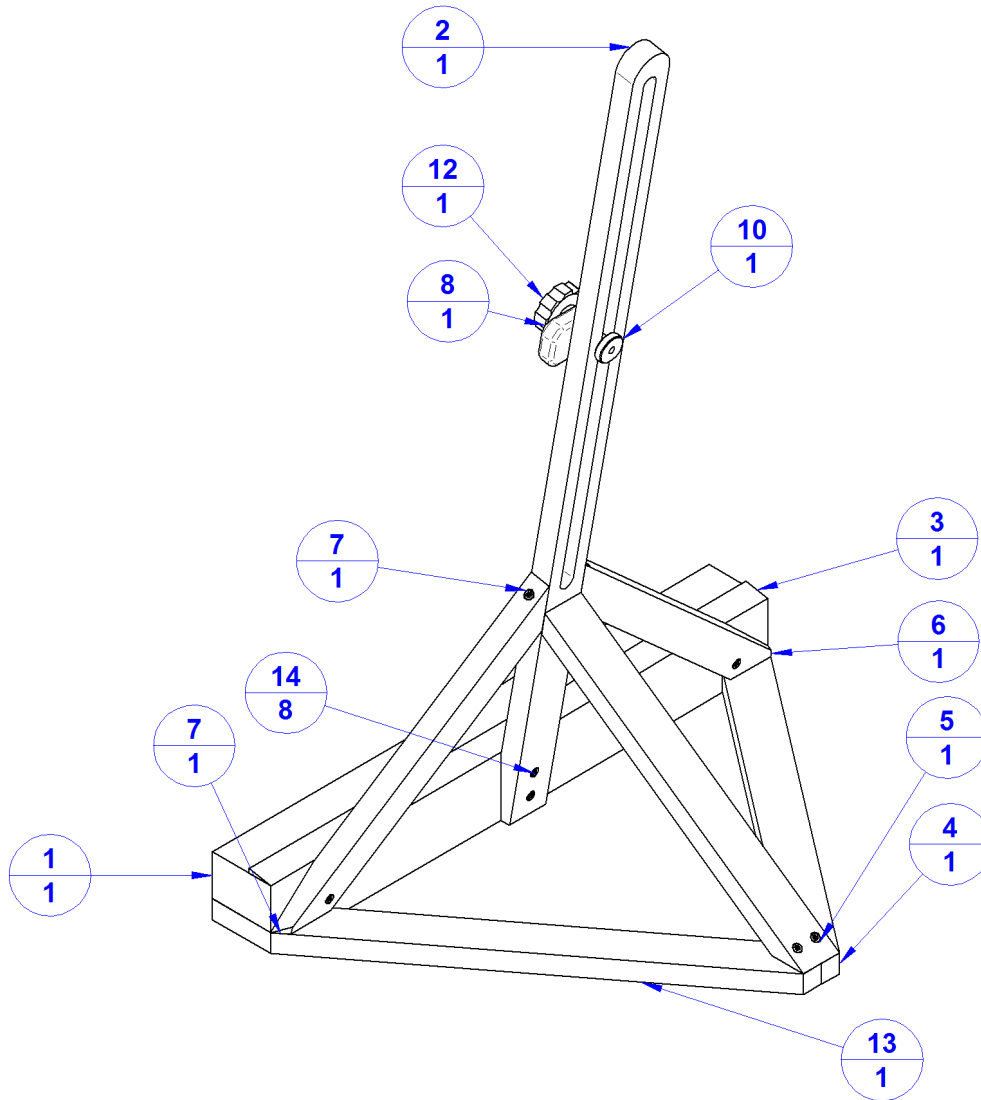


The construction is very simple and all the parts can be made in the workshop with basic equipment. All connections between the parts are made with wood screws.

Because of its relatively small dimensions you can make this Easel out of almost any type of wood. Select some wood that is easy to work with and can be found easily. Since the wood will eventually be painted with colors, you might want to buy some cheap wood. Just make sure the pieces of wood don't have any flaws or knotholes on them. The dimensions of the plan are not critical, so you can perfectly fit them to your personal needs.

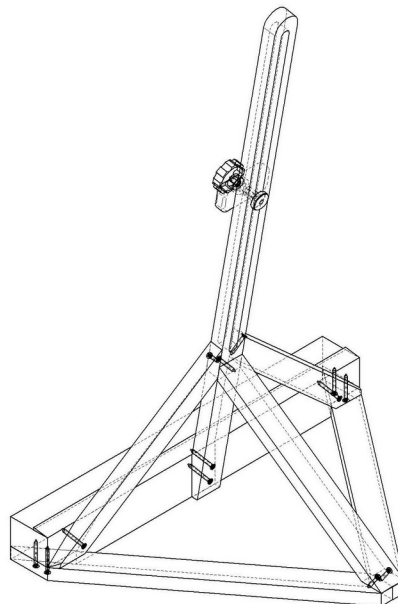
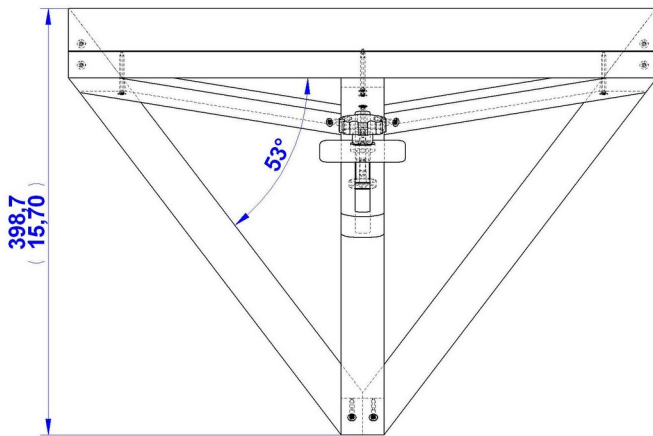
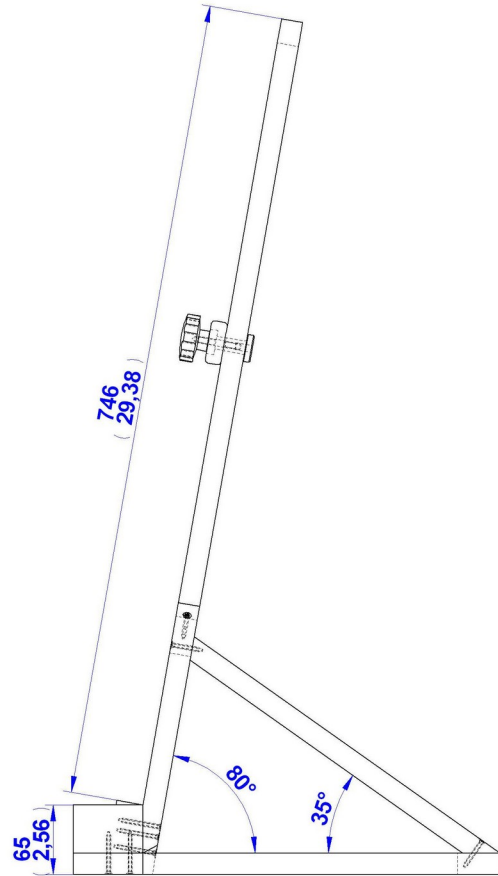
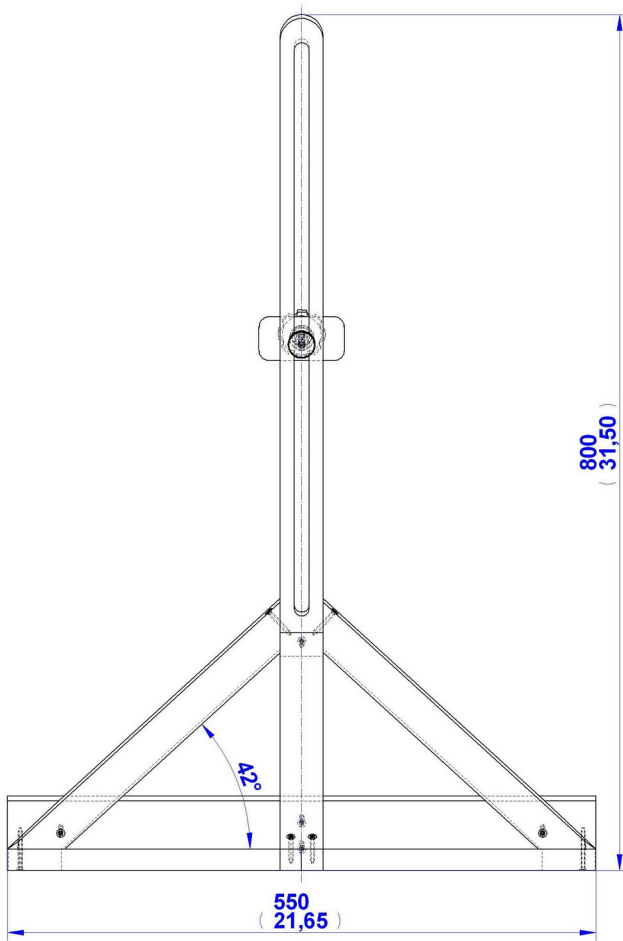
Before applying the finish, make an effort to sand all the parts and process them, so that they have rounded edges. You can coat the easel at the end with some kind of light paint, lacquer or wax.

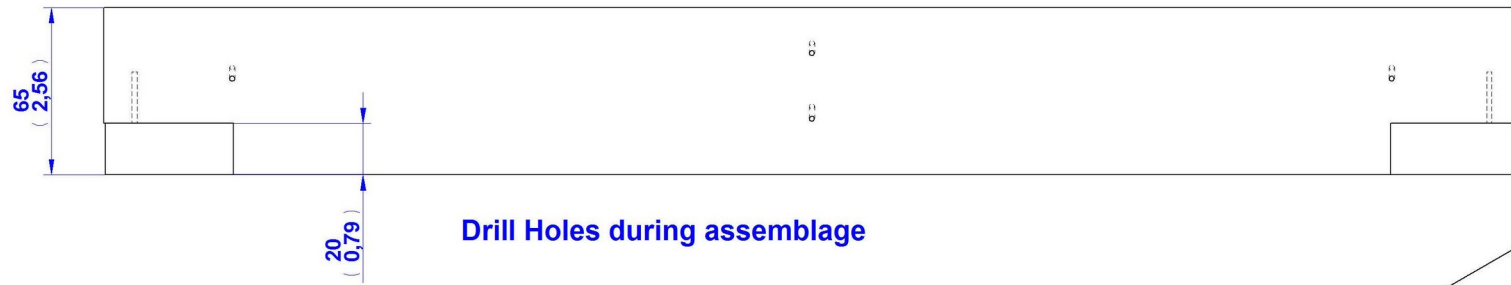
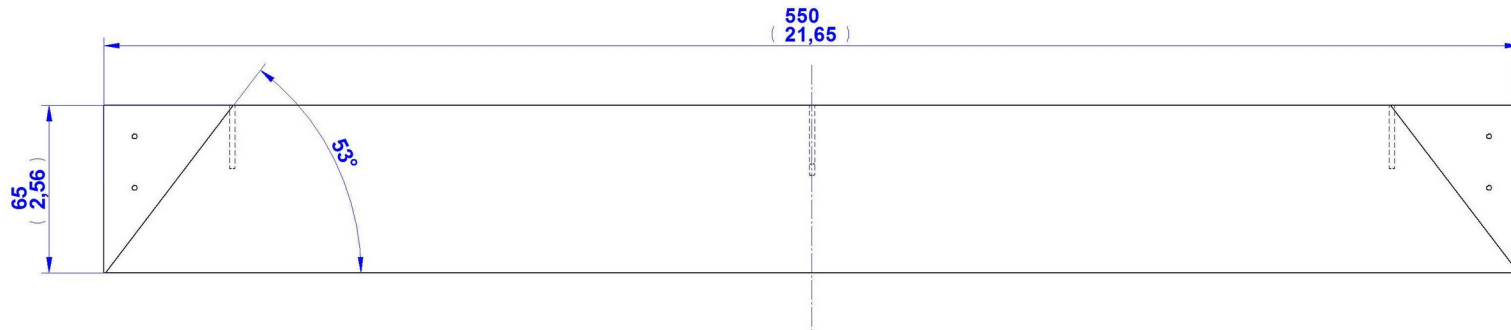
PARTS LIST



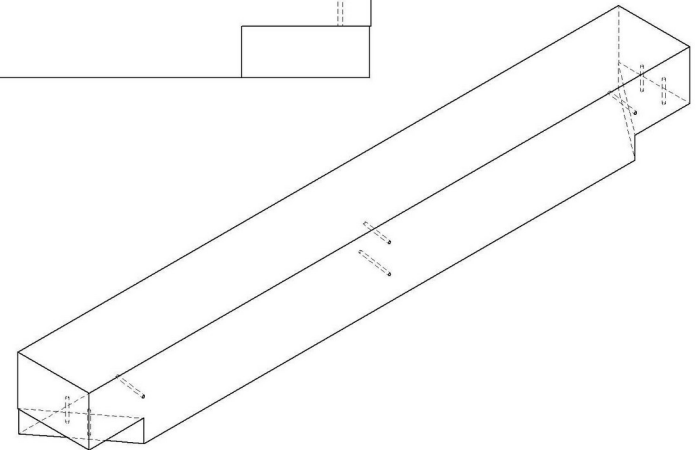
Item Number	Title	Material	Quantity
1	Base	Wood	1
2	Tower	Wood	1
3	Draft	Wood	1
4	Base back	Wood	1
5	Draft back	Wood	1
6	Support draft	Wood	1
7	Support draft mirror	Wood	1
8	Delimiter	Wood	1
9*	Wood Screw 4x30	Steel	5
10	Back nut	Steel	1
11*	Stud M6 x 41	Steel	1
12	Handle	Plastic	1
13	Base Back Mirror	Wood	1
14*	Wood Screw 4 x 40	Steel	8

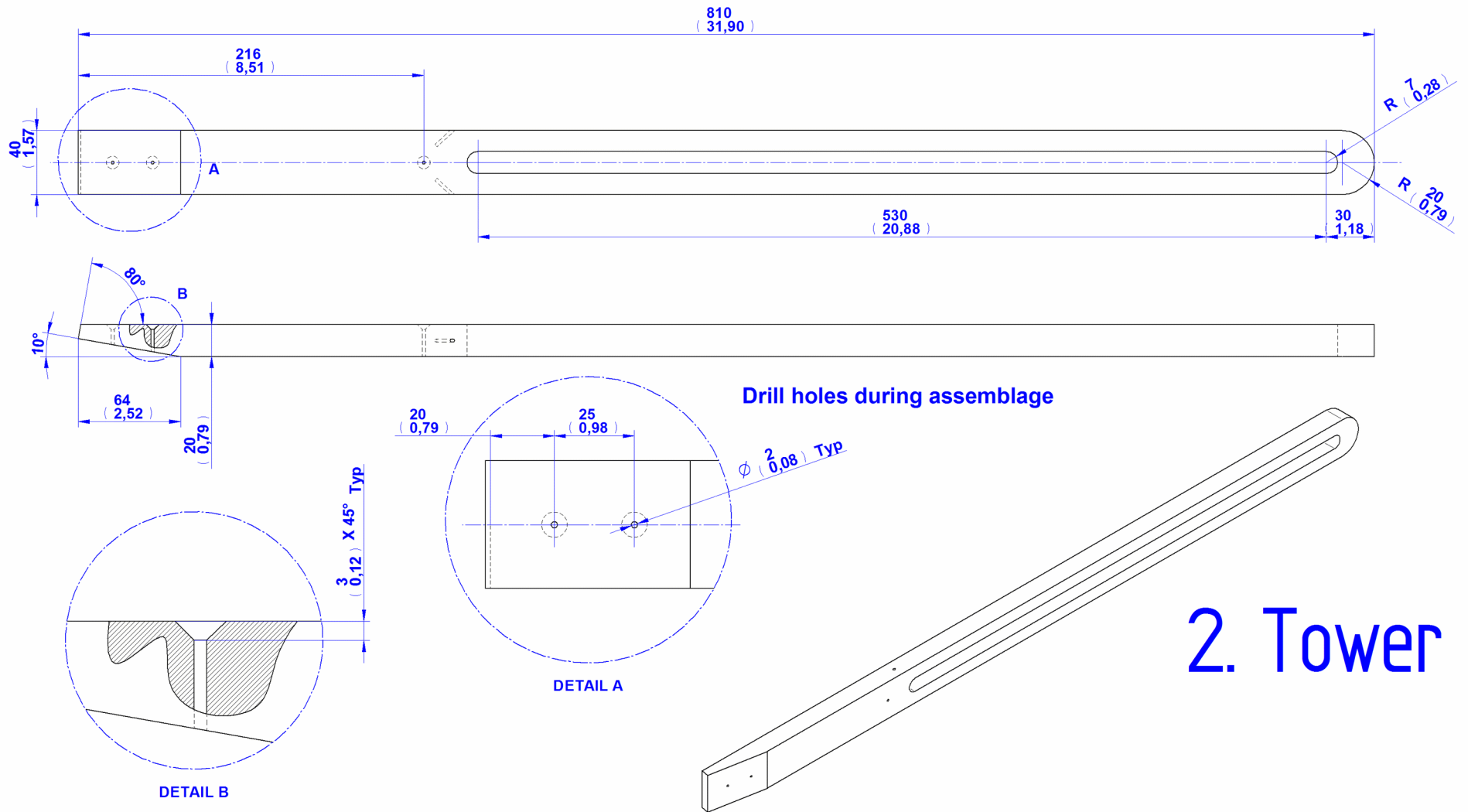
2D Documentation

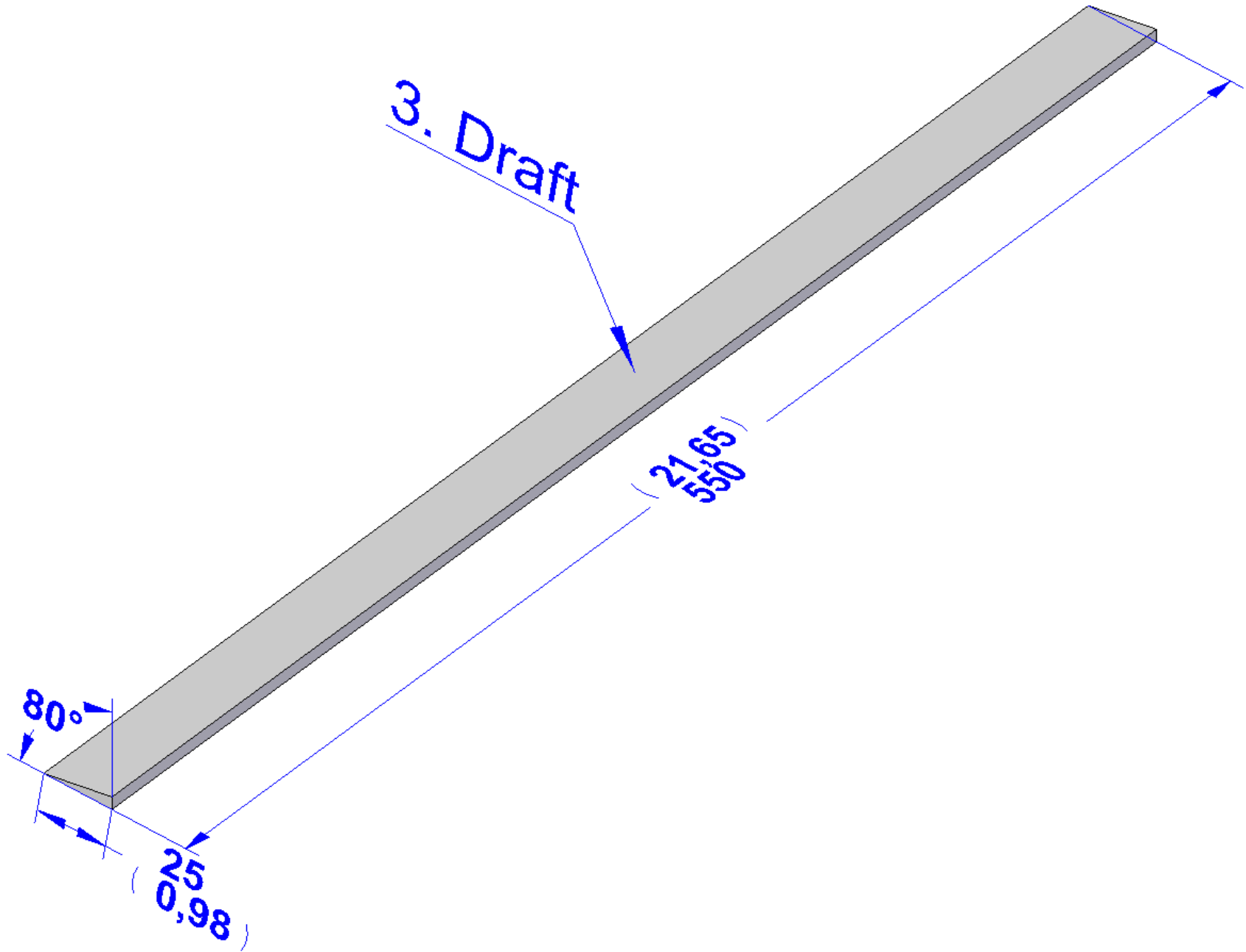


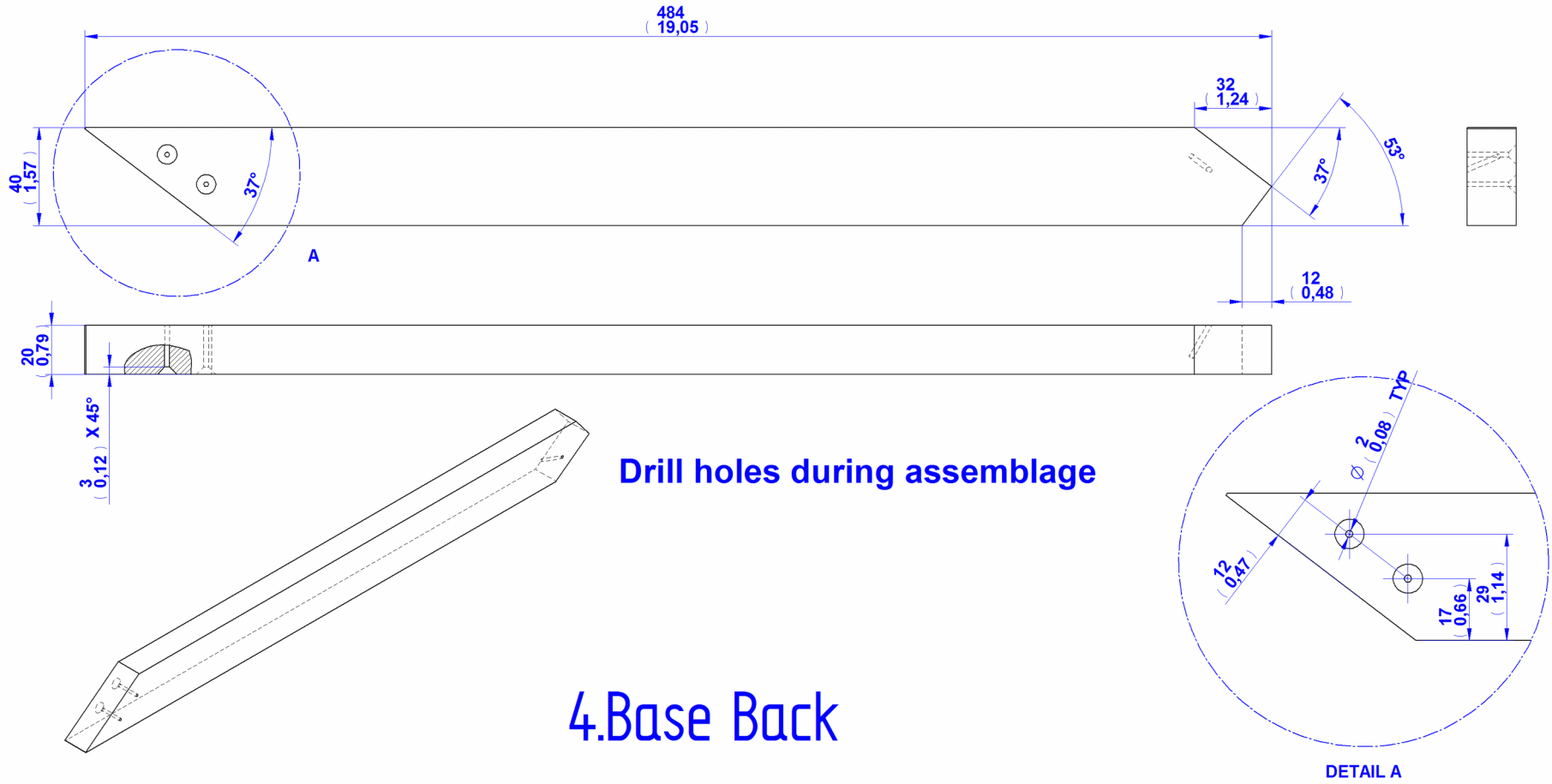


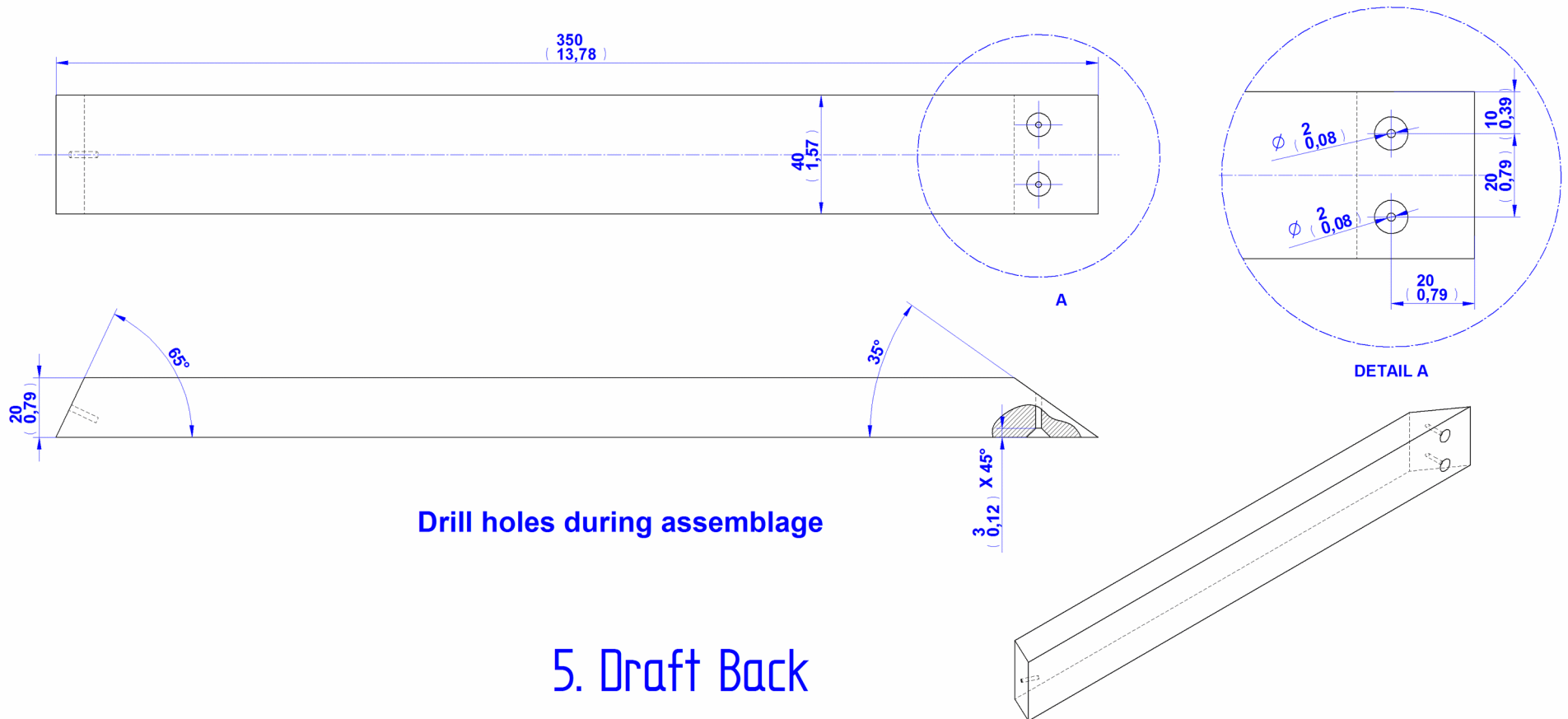
1. Base

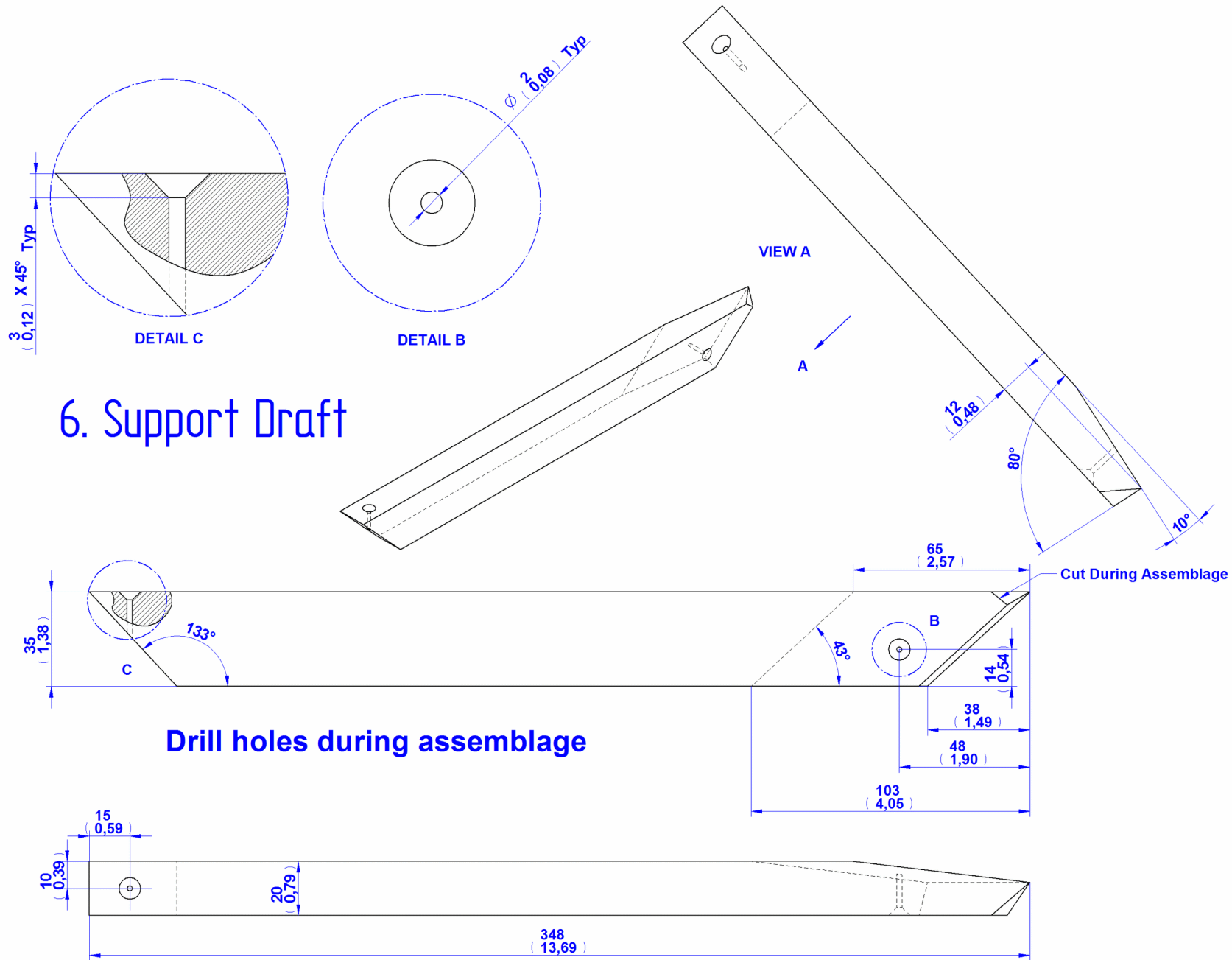






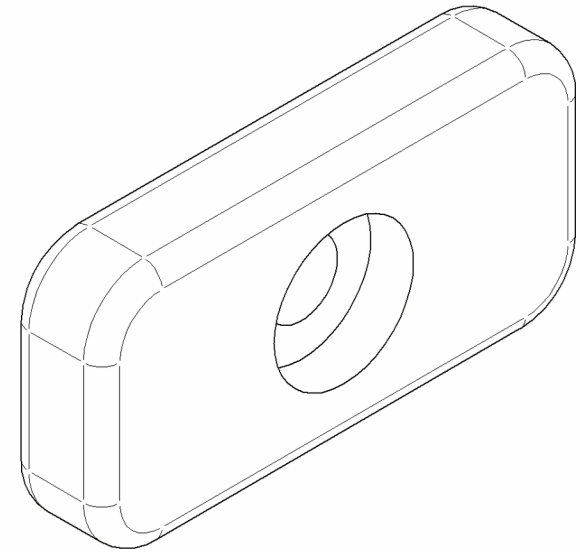
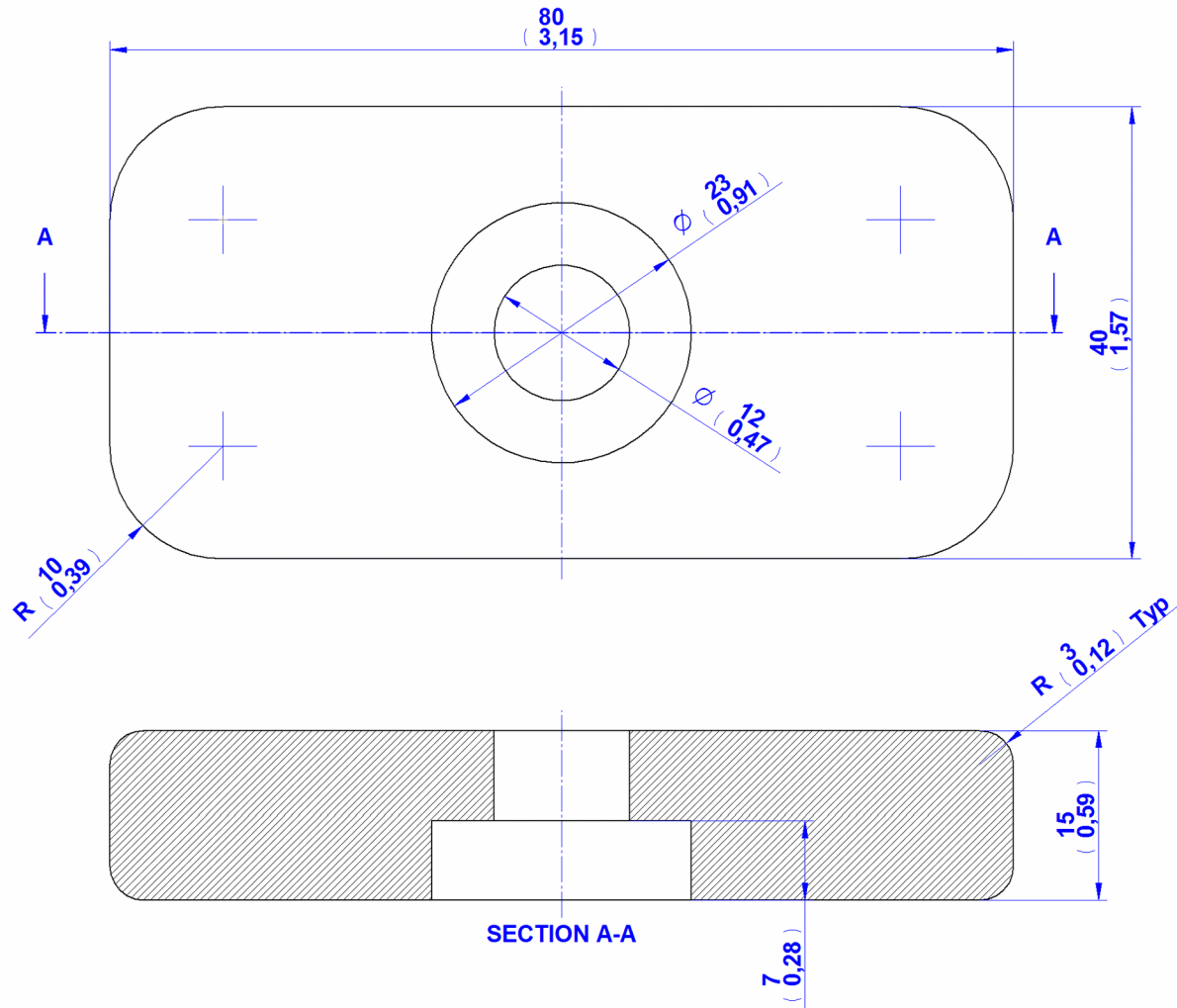




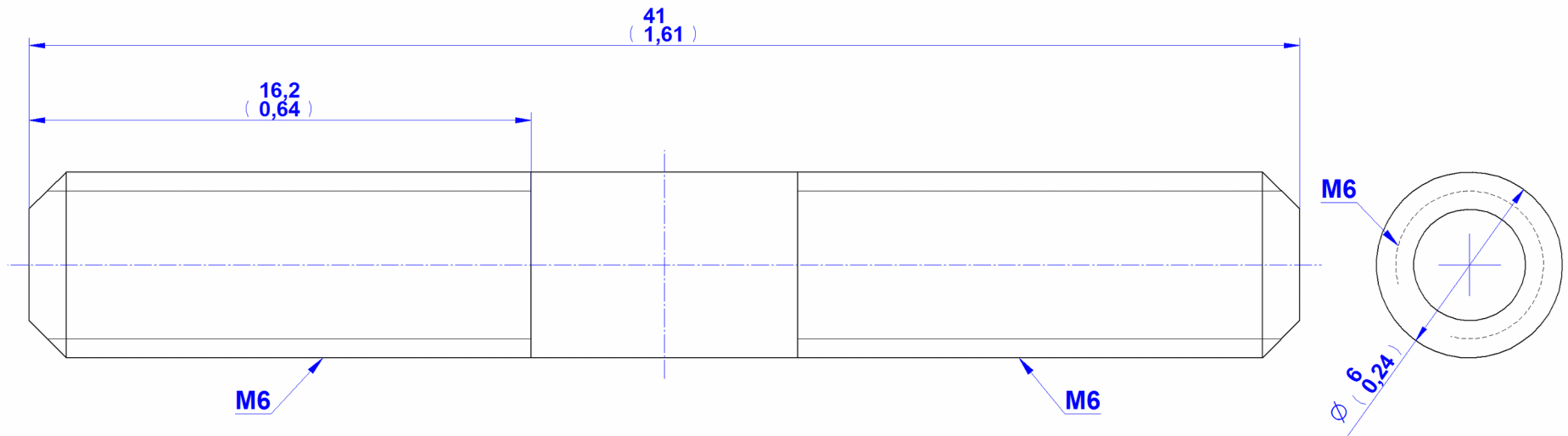


6. Support Draft

Drill holes during assemblage

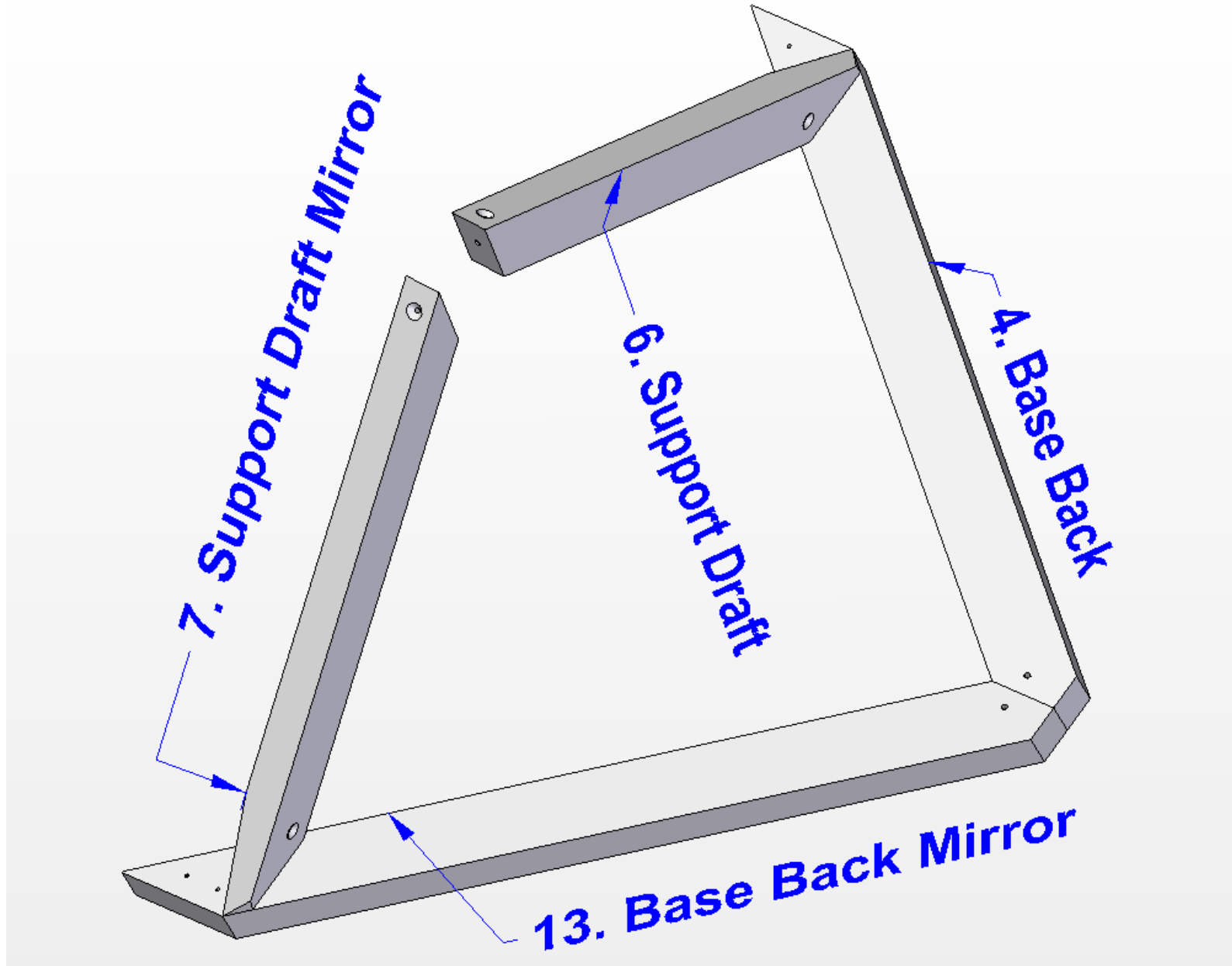


8. Delimiter



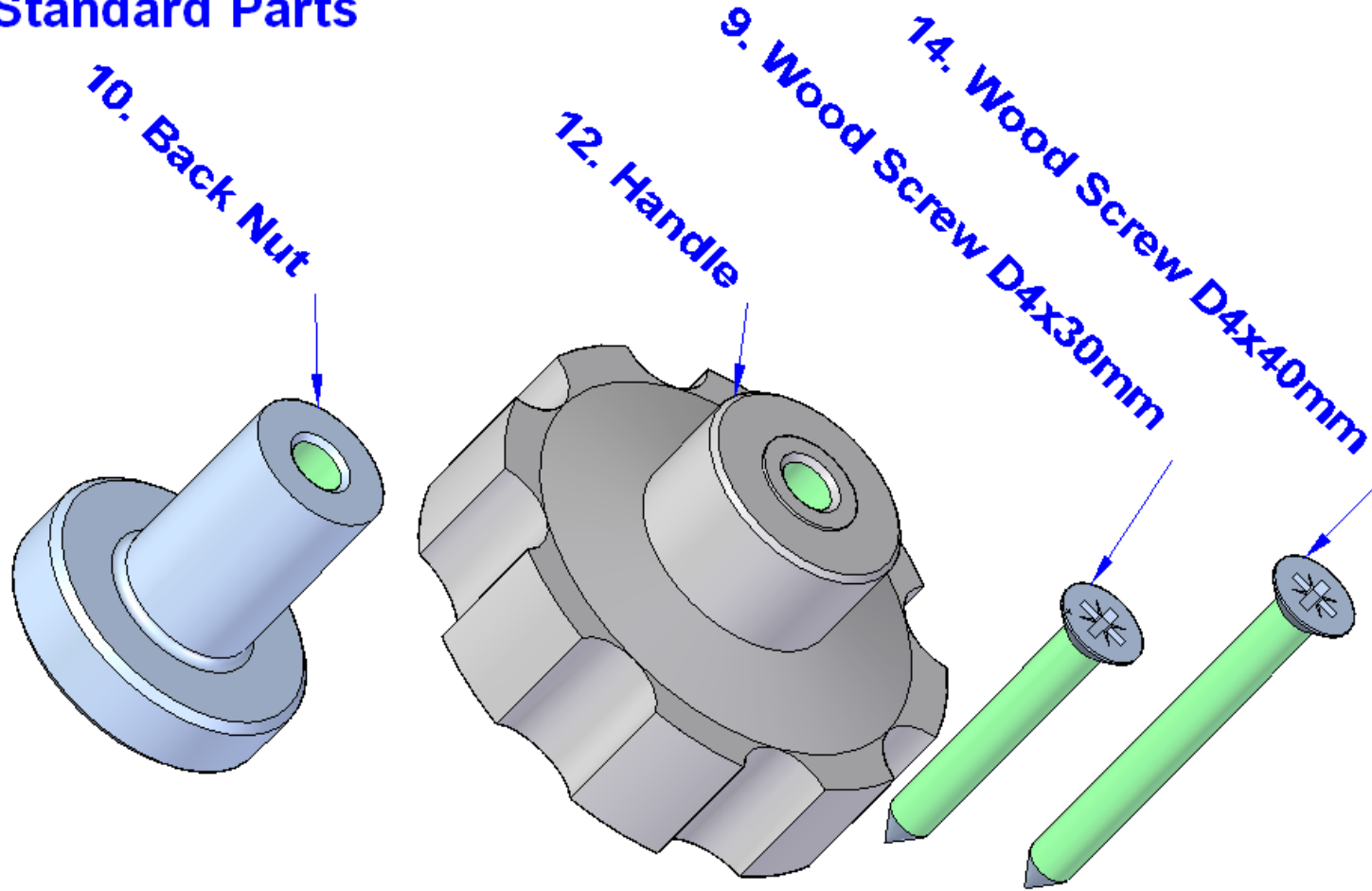
11. Stud M6 x 41mm

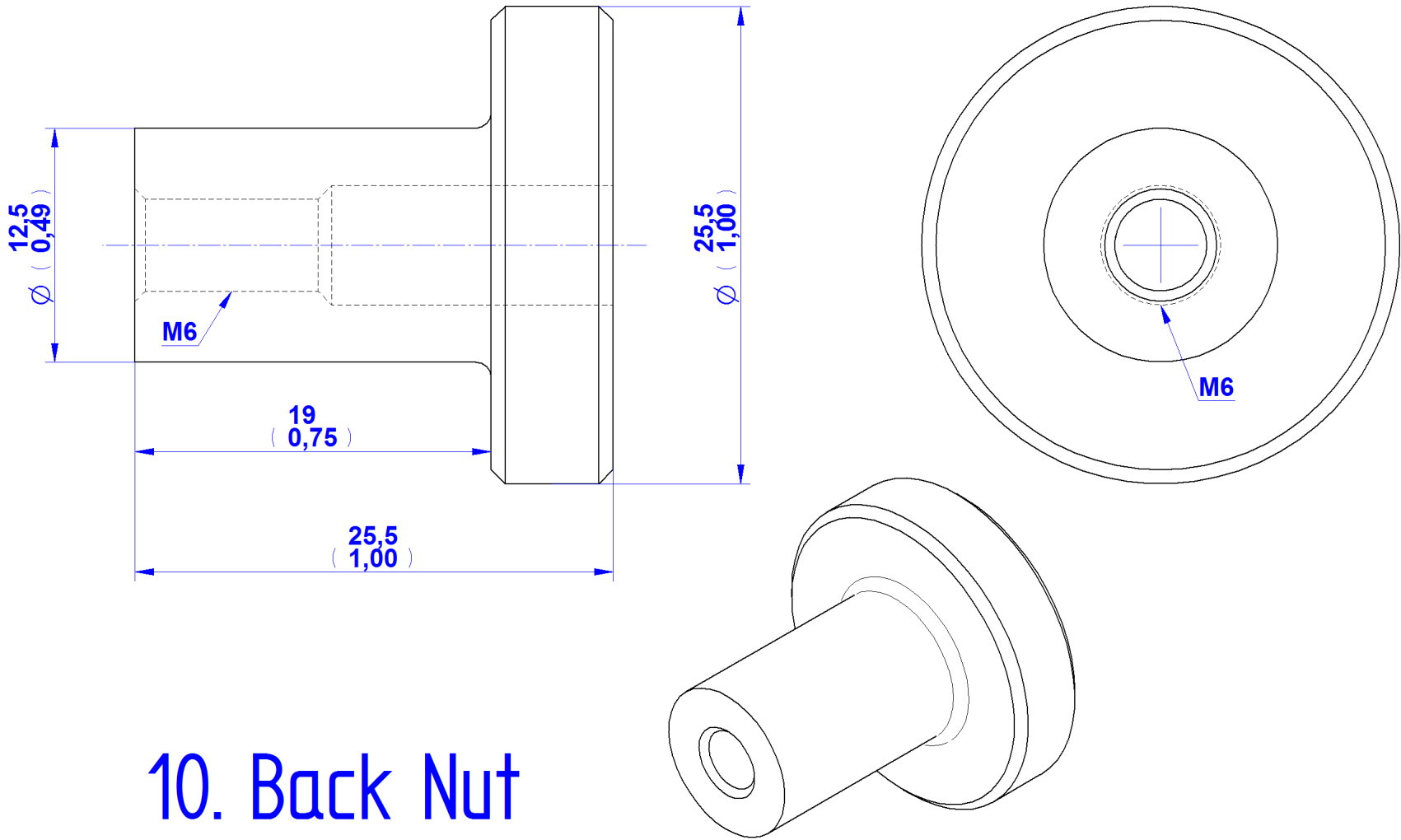
MIRROR PARTS

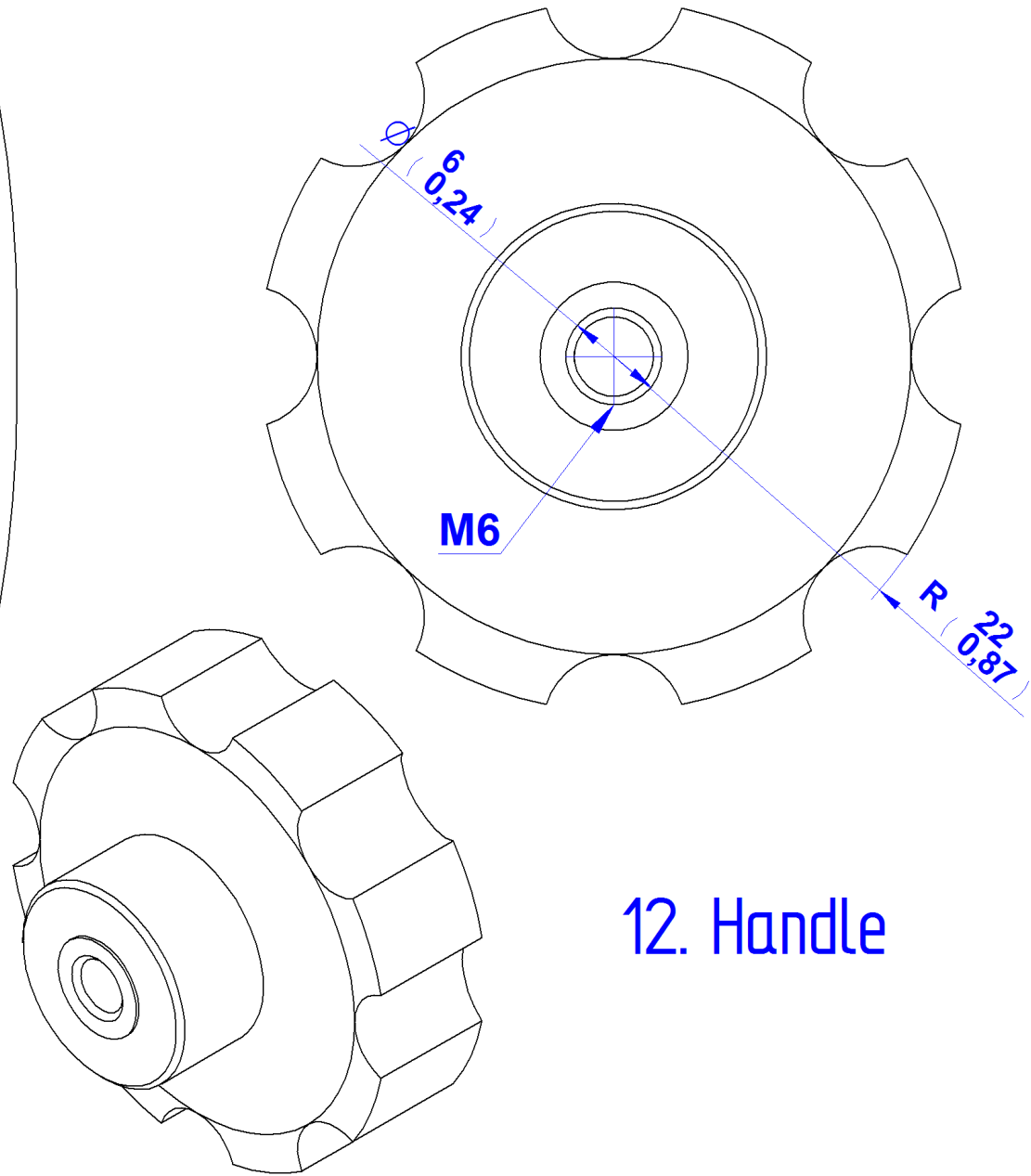
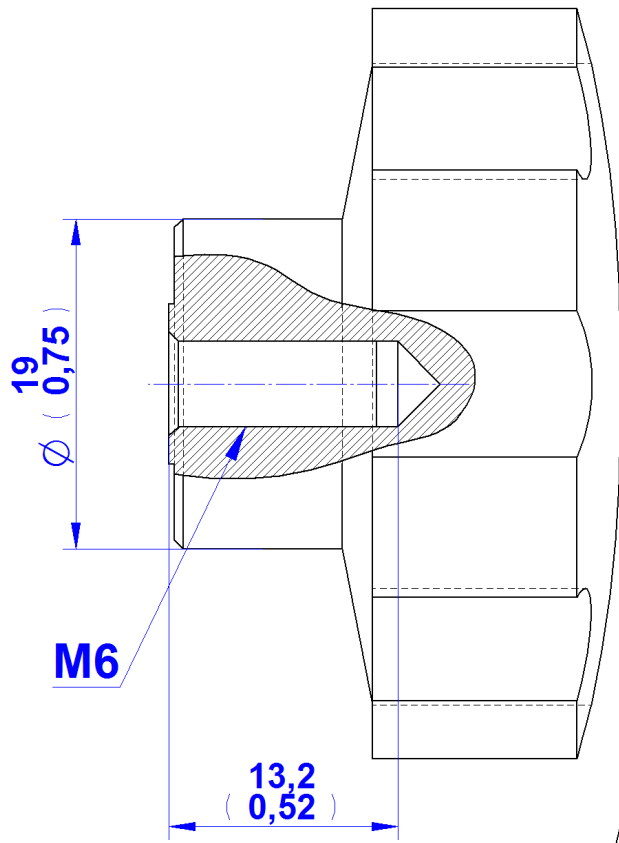


STANDARD PARTS

Standard Parts



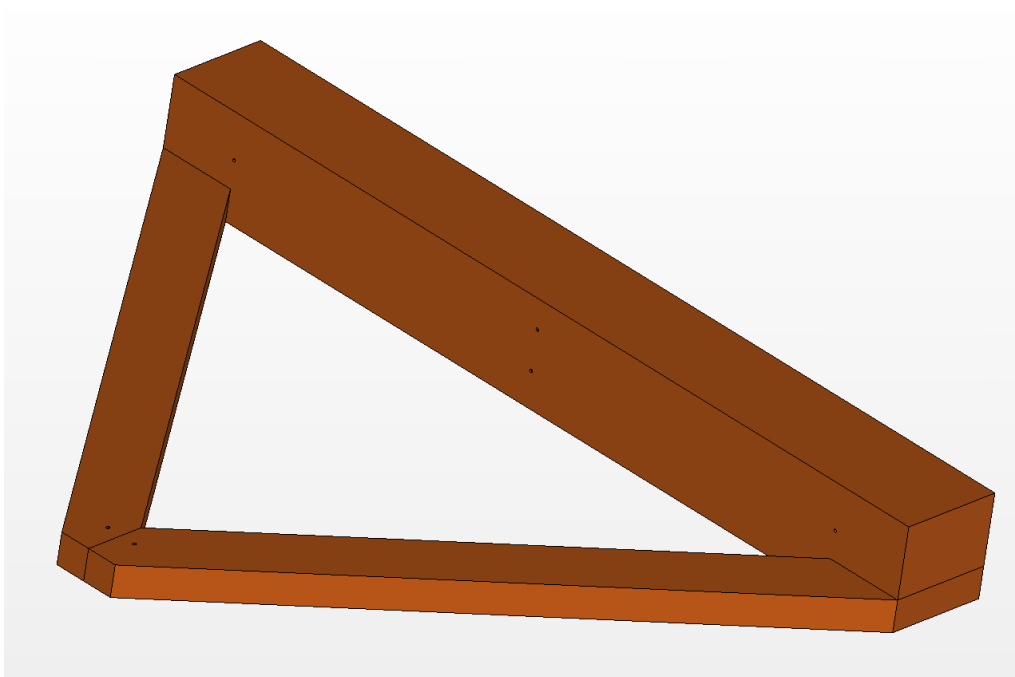
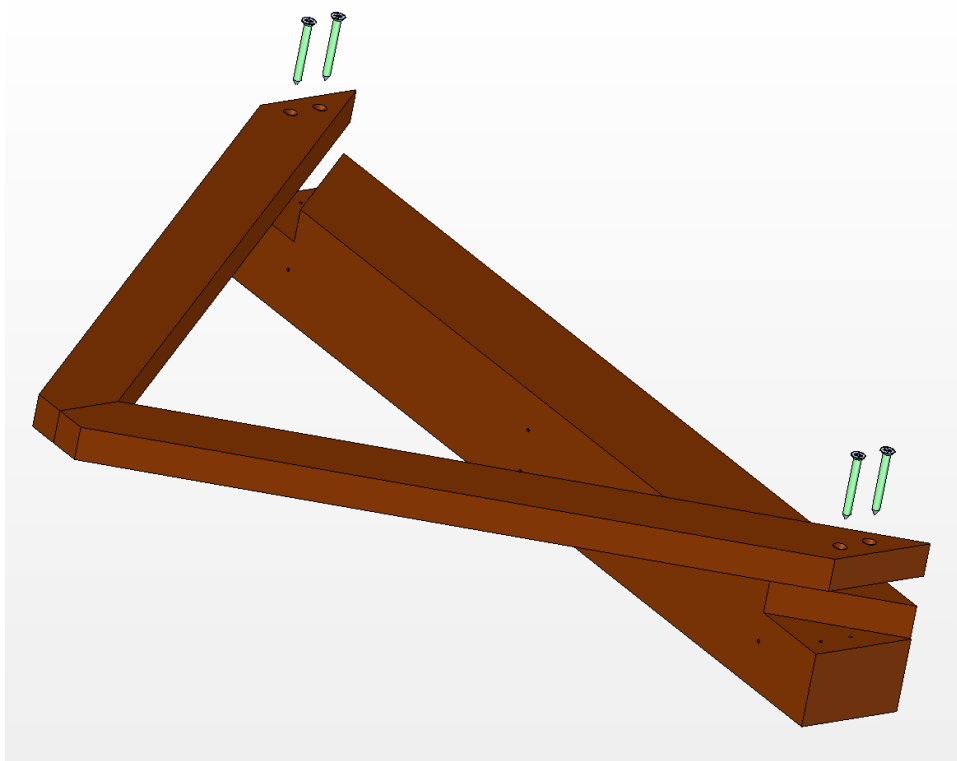




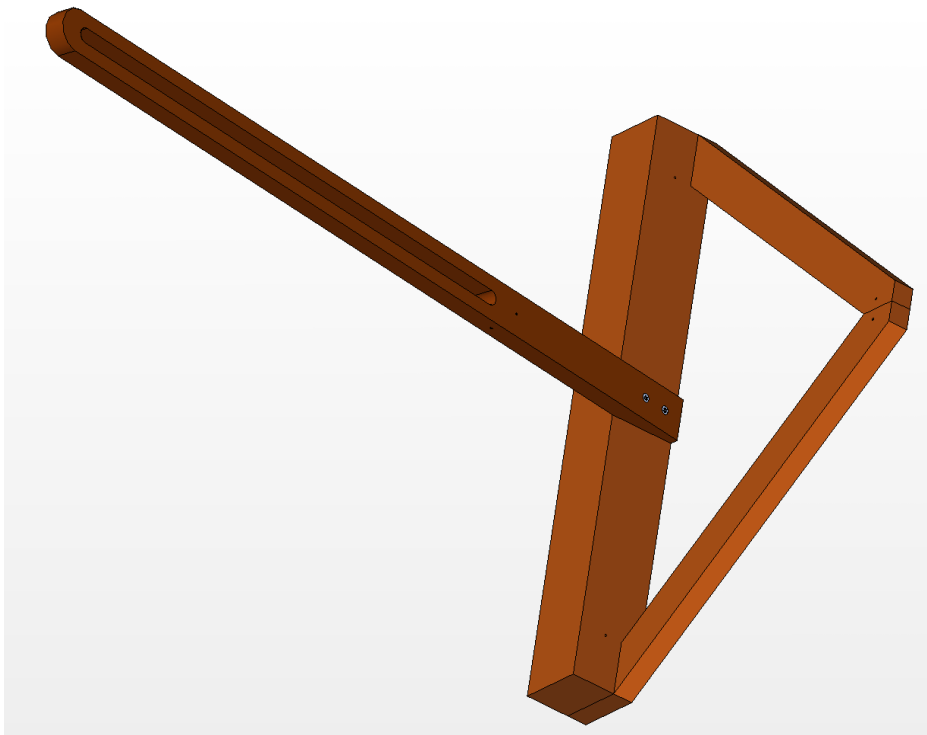
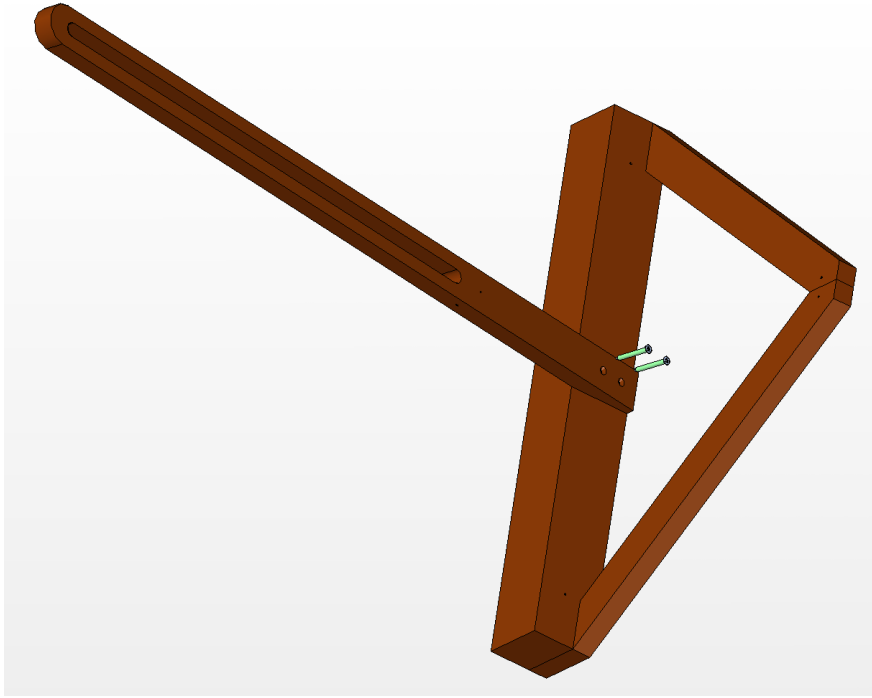
12. Handle

Assemblage images

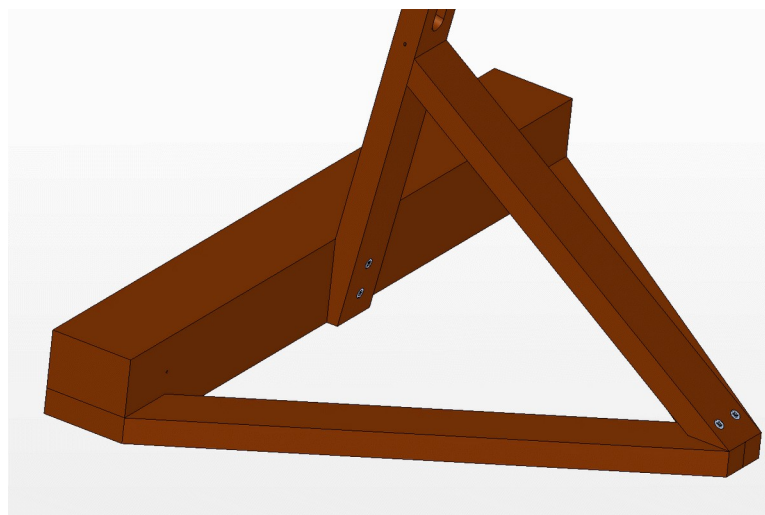
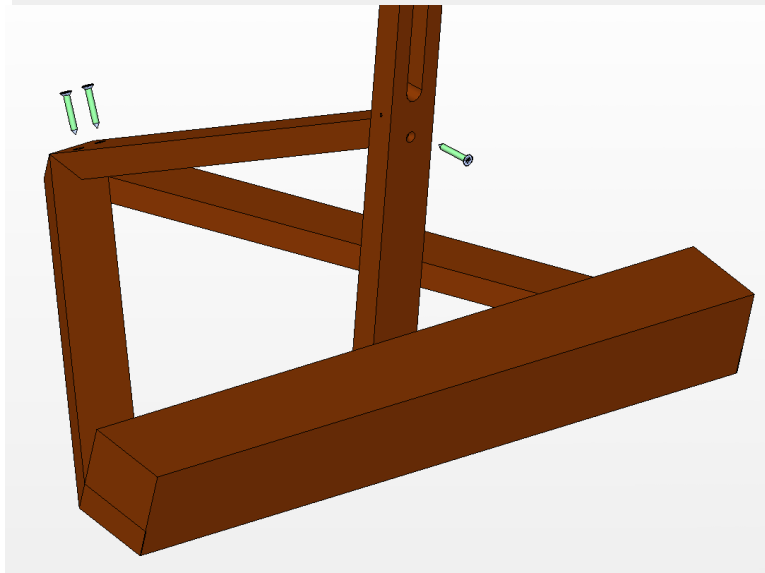
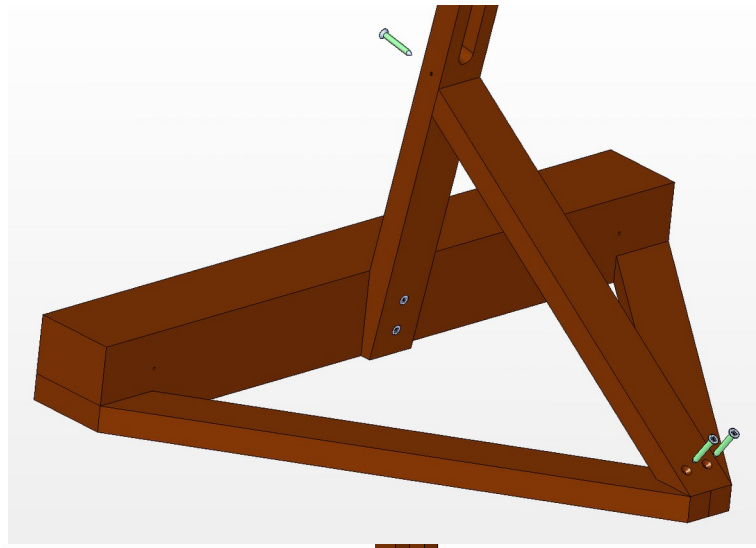
1.



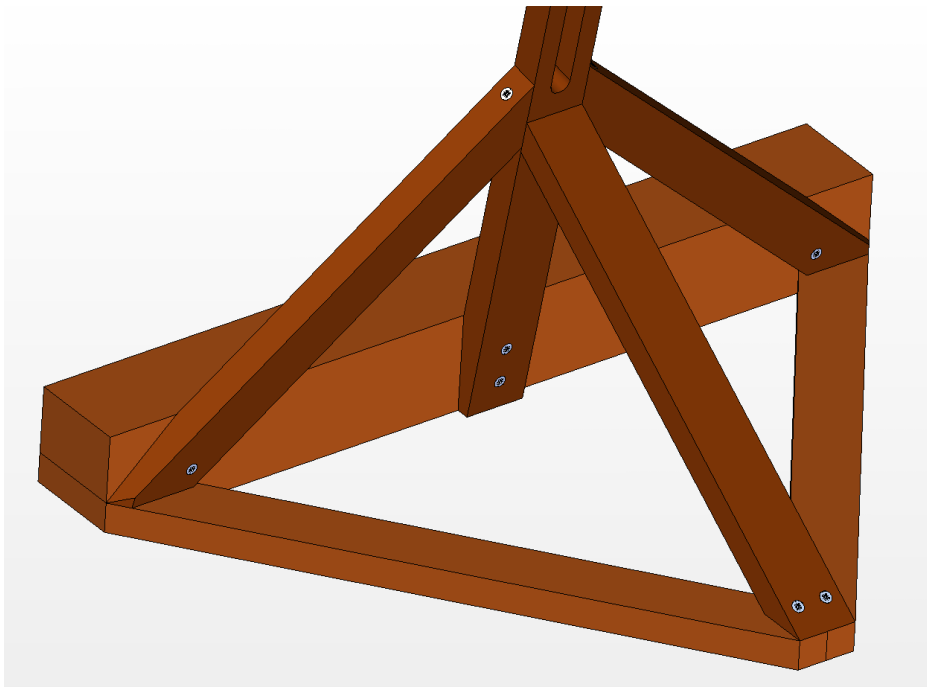
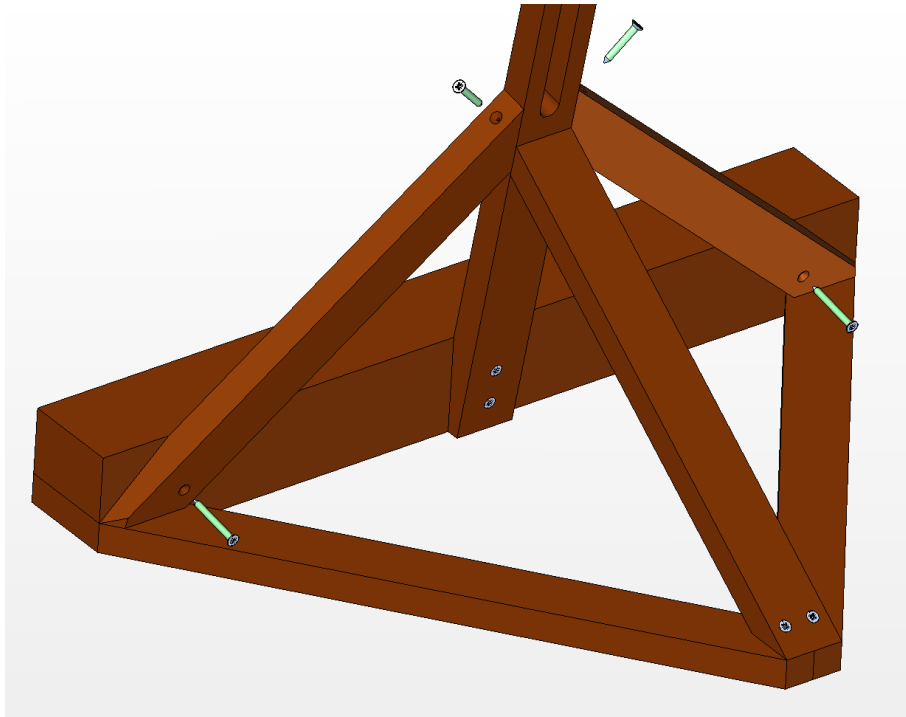
2.



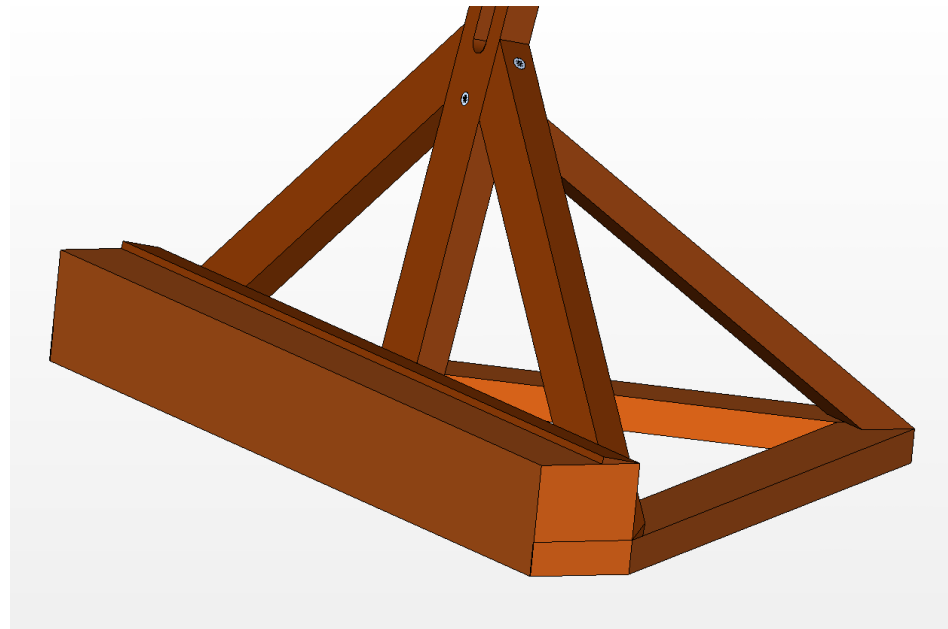
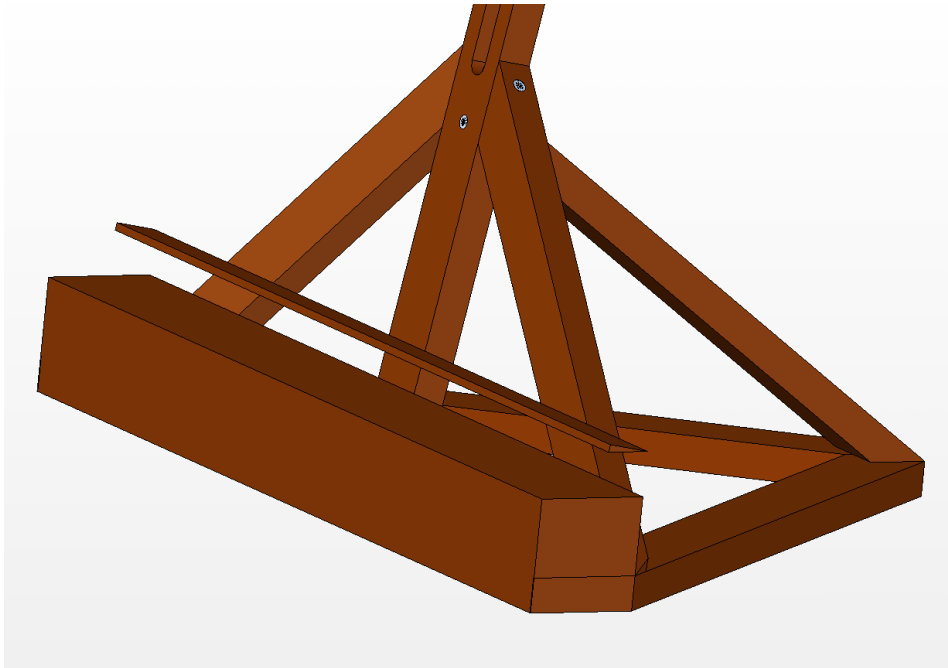
3.



4.



5.



6.

