

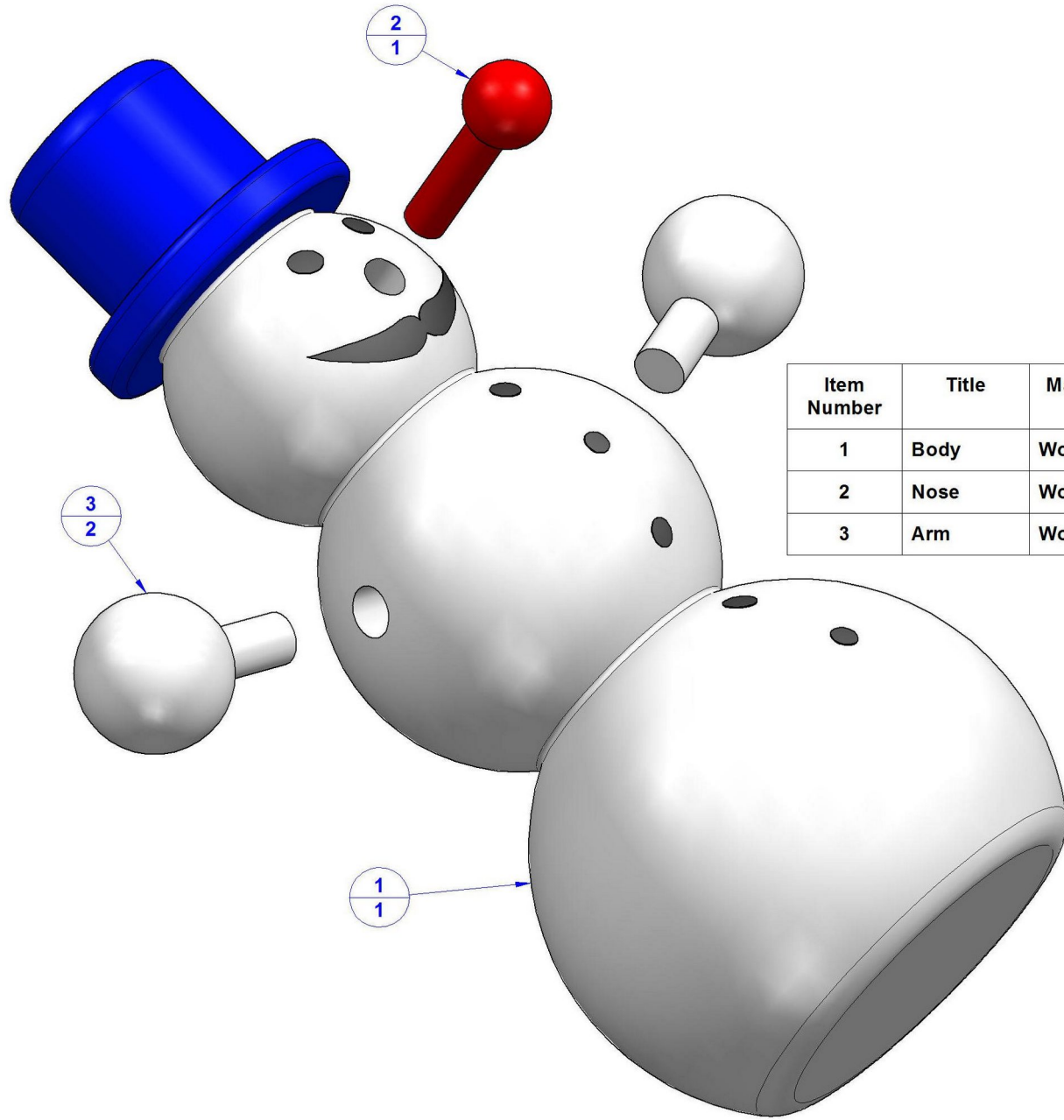
Wooden Snowman



Holiday decoration is something that makes those special days look cheerful and brighter. One of the best holidays is Christmas, with not only its specific Christmas decorations, but also a bunch of Christmas toys, hidden at the bottom of the Christmas tree. Our wooden snowman toy plan offers a quite simple wooden doll toy. You will be able to make it for a quite short time, but it will be a great present for the youngest ones in your family and eventually become an heirloom toy, or at least the perfect Christmas decoration for the years to come.

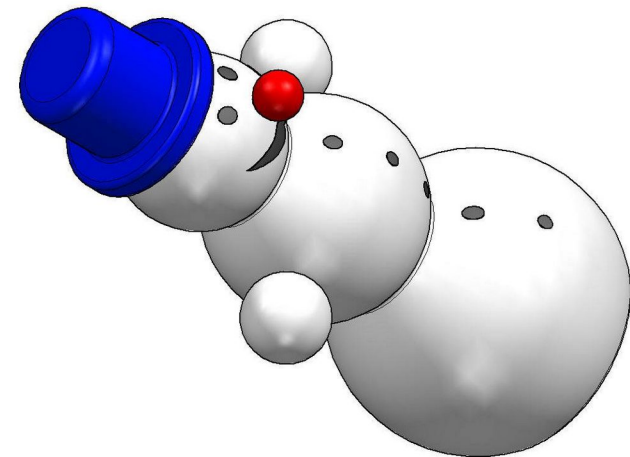
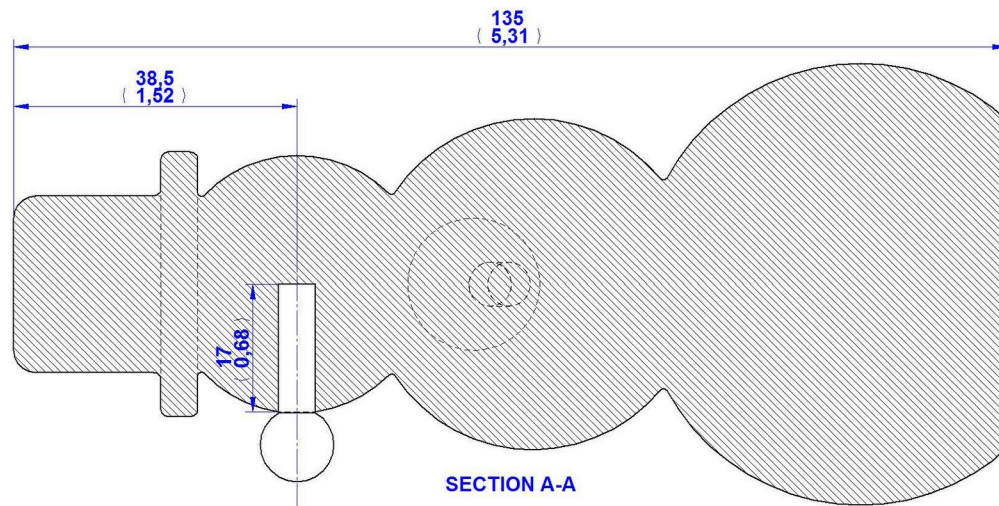
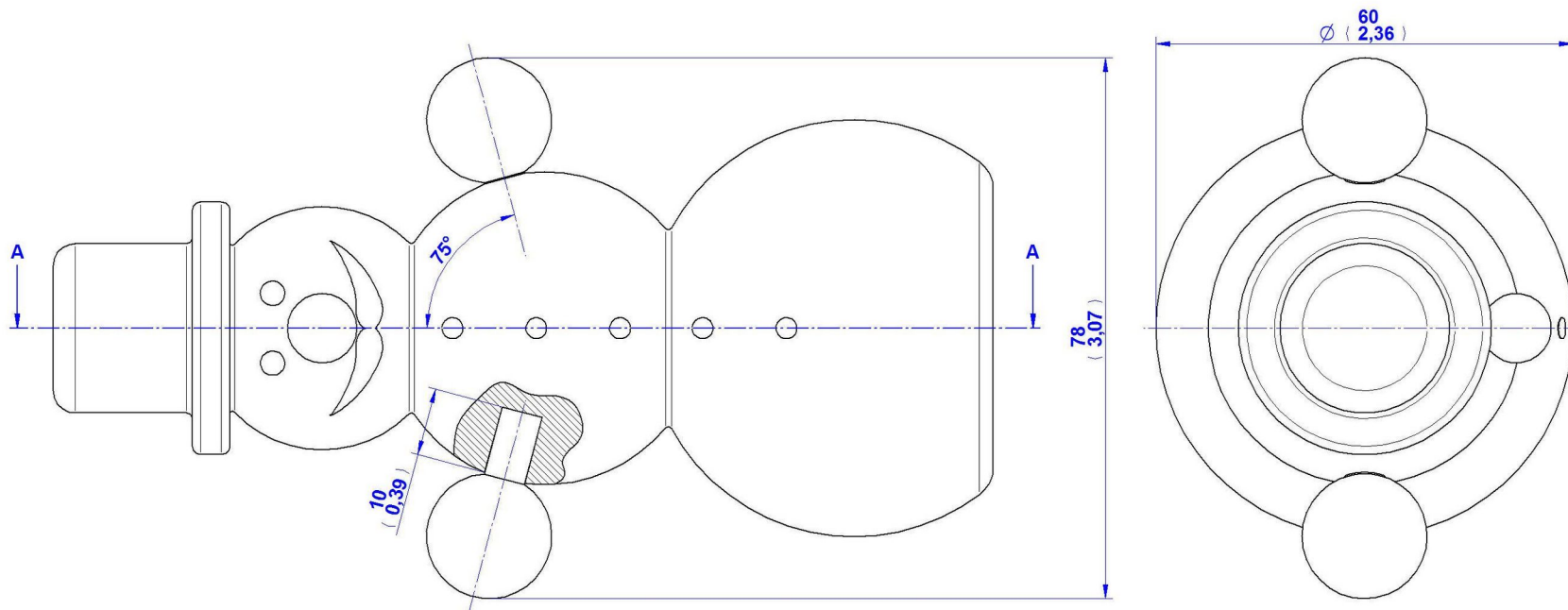
If you choose to protect the surface of your project with wood paint or lacquer, be careful to use only substances that are safe and harmless for your child. Carefully make the parts of the toy by the measurements given on particular pictures. After making all the parts of the toy, you should join them with glue. Be careful with dosage of glue, because it could come out from the holes and smear the surface of an object.

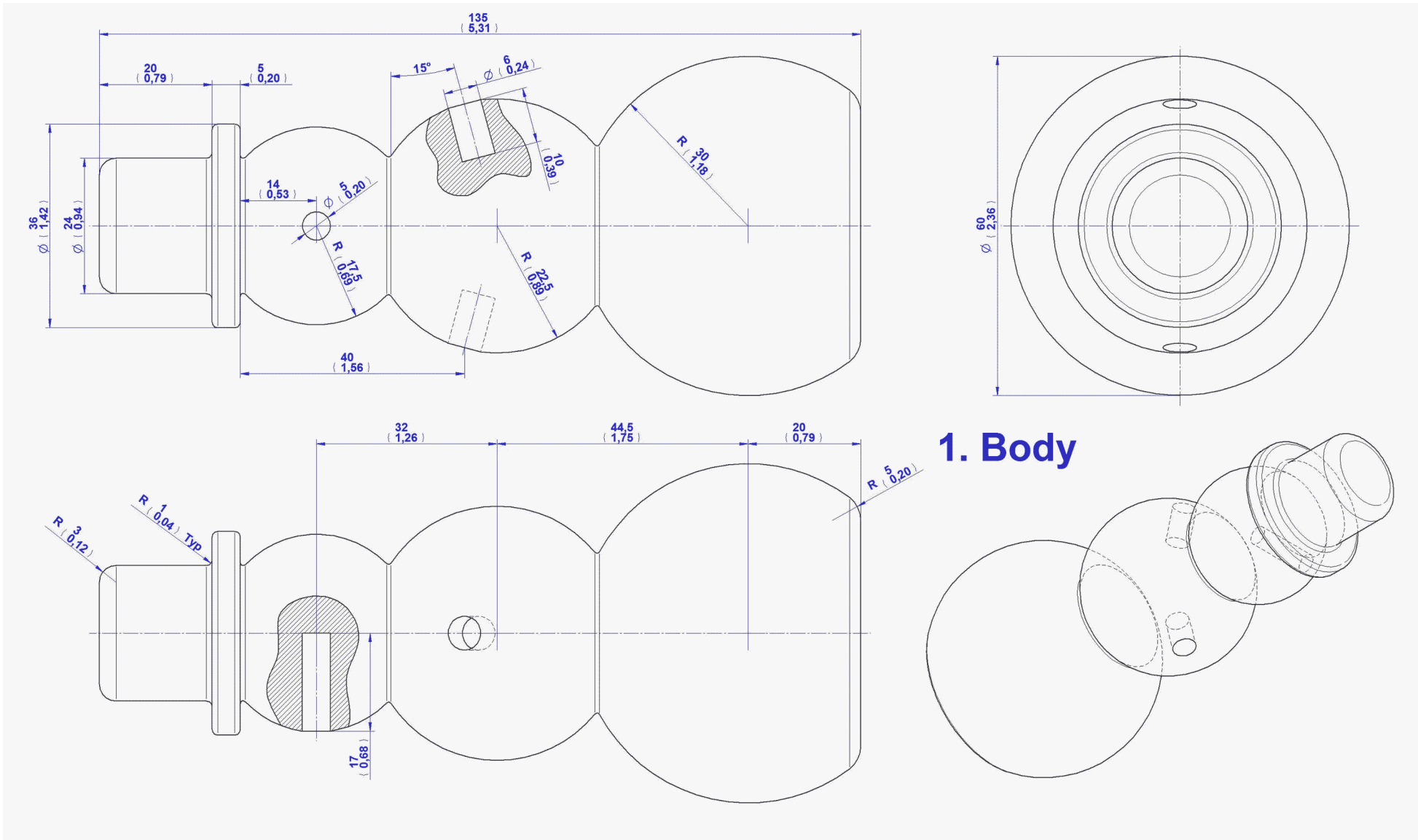
PARTS LIST



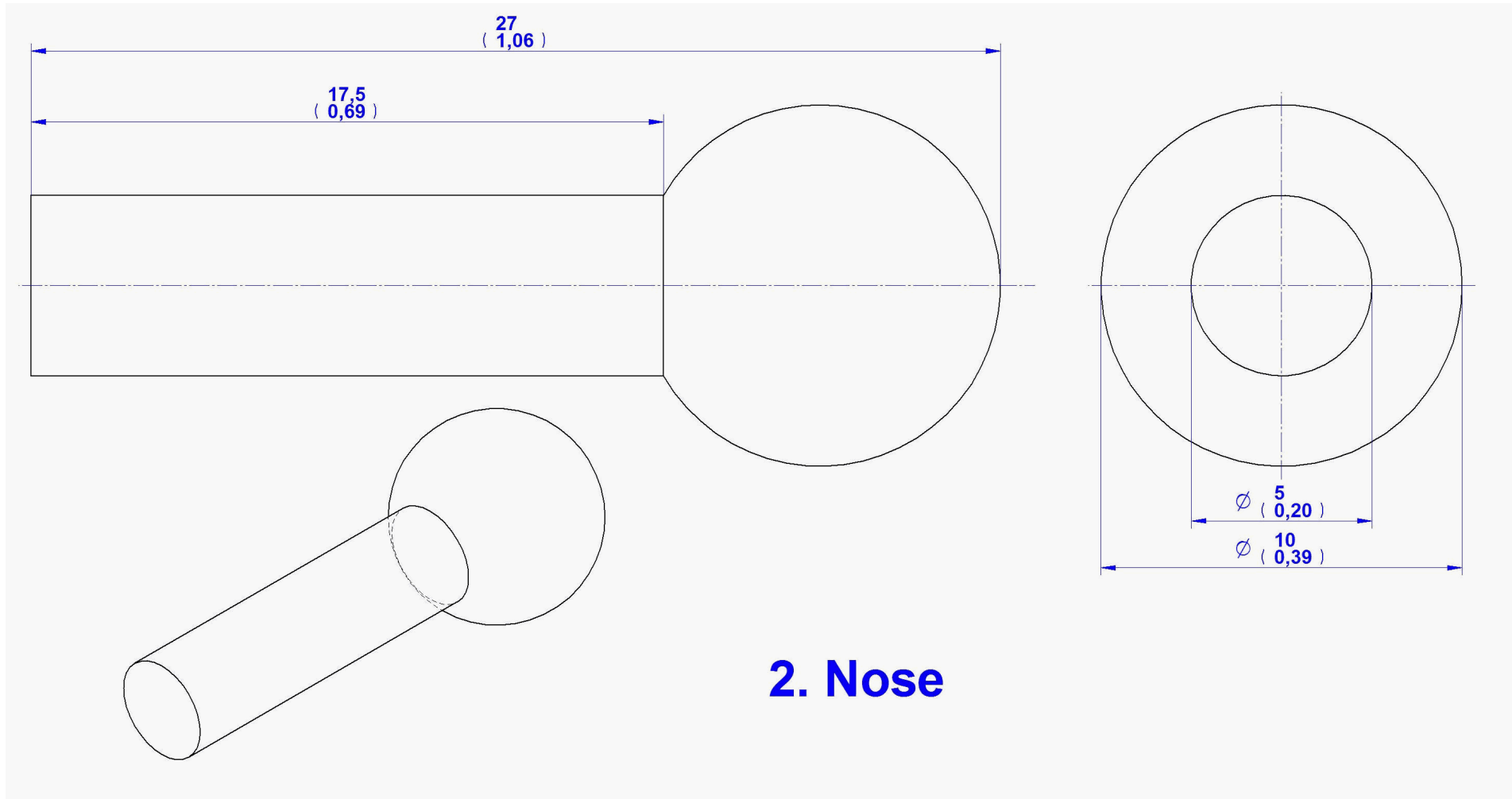
Item Number	Title	Material	Quantity
1	Body	Wood	1
2	Nose	Wood	1
3	Arm	Wood	2

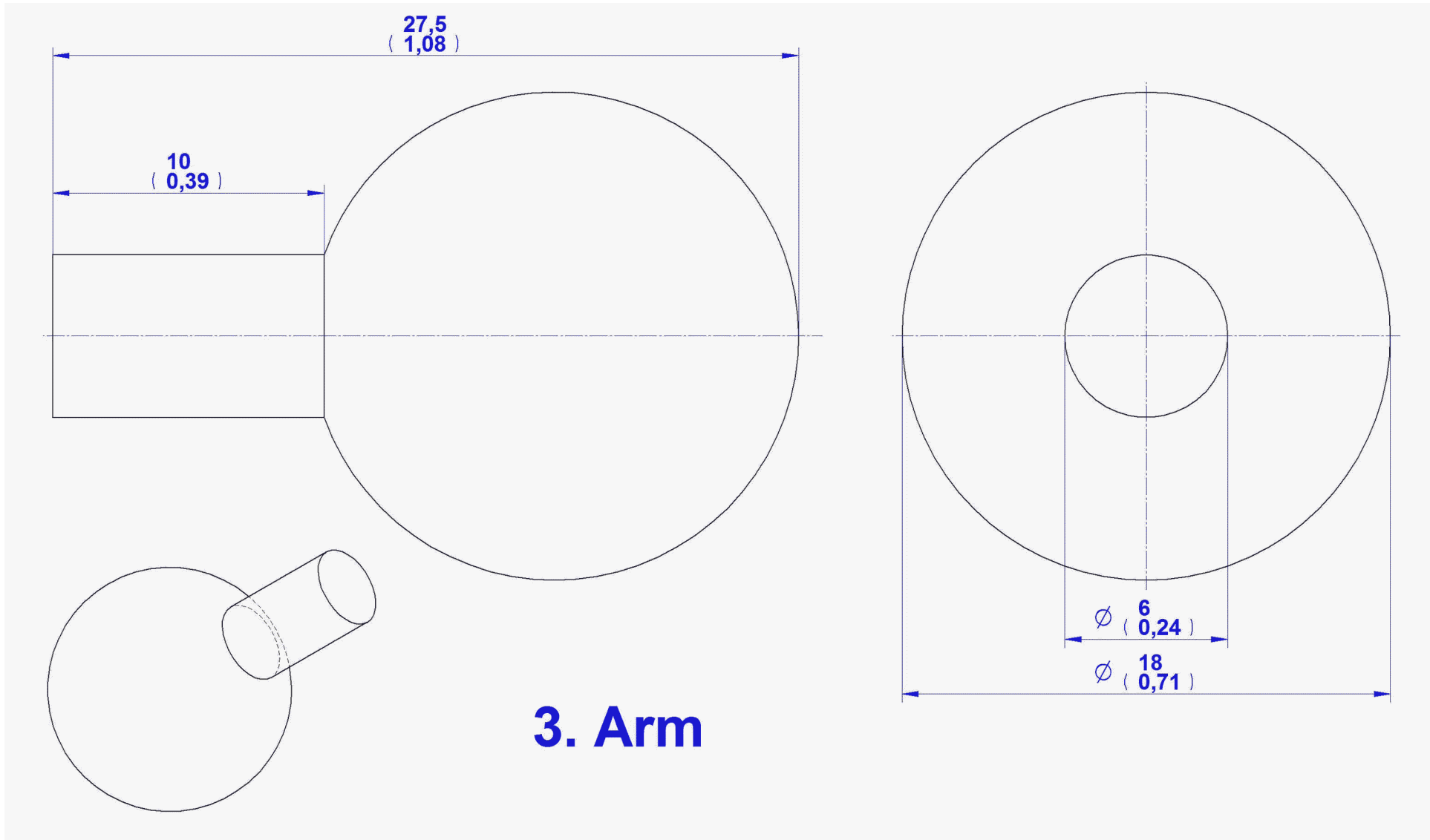
2D Documentation





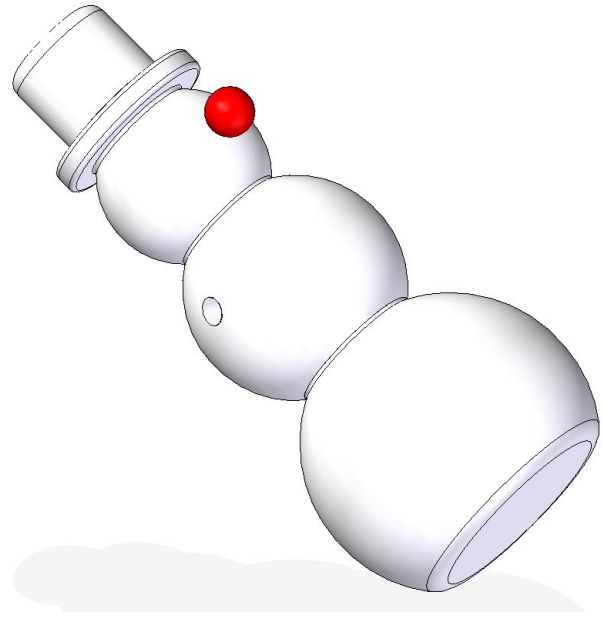
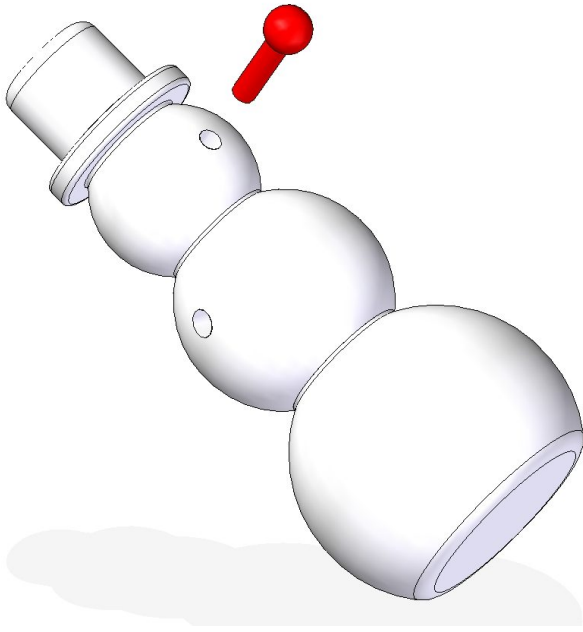
1. Body





ASSEMBLAGE IMAGES

1.



2.

