

Sun lounger plan

This wooden sun lounger is designed for lounging and relaxation on the beach, by the swimming pool, in the garden or on the terrace. It is weatherproof, so you can leave it outside for a longer period of time without the risk of damage, especially if you keep it under the eaves. Surface is slotted, so the lounger does not retain rain and water, as this would damage the wood. However, we recommend you to store it inside protected space, if you do not plan to use it for a longer time, so it can last as long as possible without any damage.

There are numerous models of plastic loungers on the market, but the wooden lounger is far more pleasant and more natural for the body. Also, wood does not have tendency to overheat, so it will not burn you, even if you sit on it after several hours of the direct sun exposure. In order to enhance pleasure of relaxation, we recommend adding a cushion.



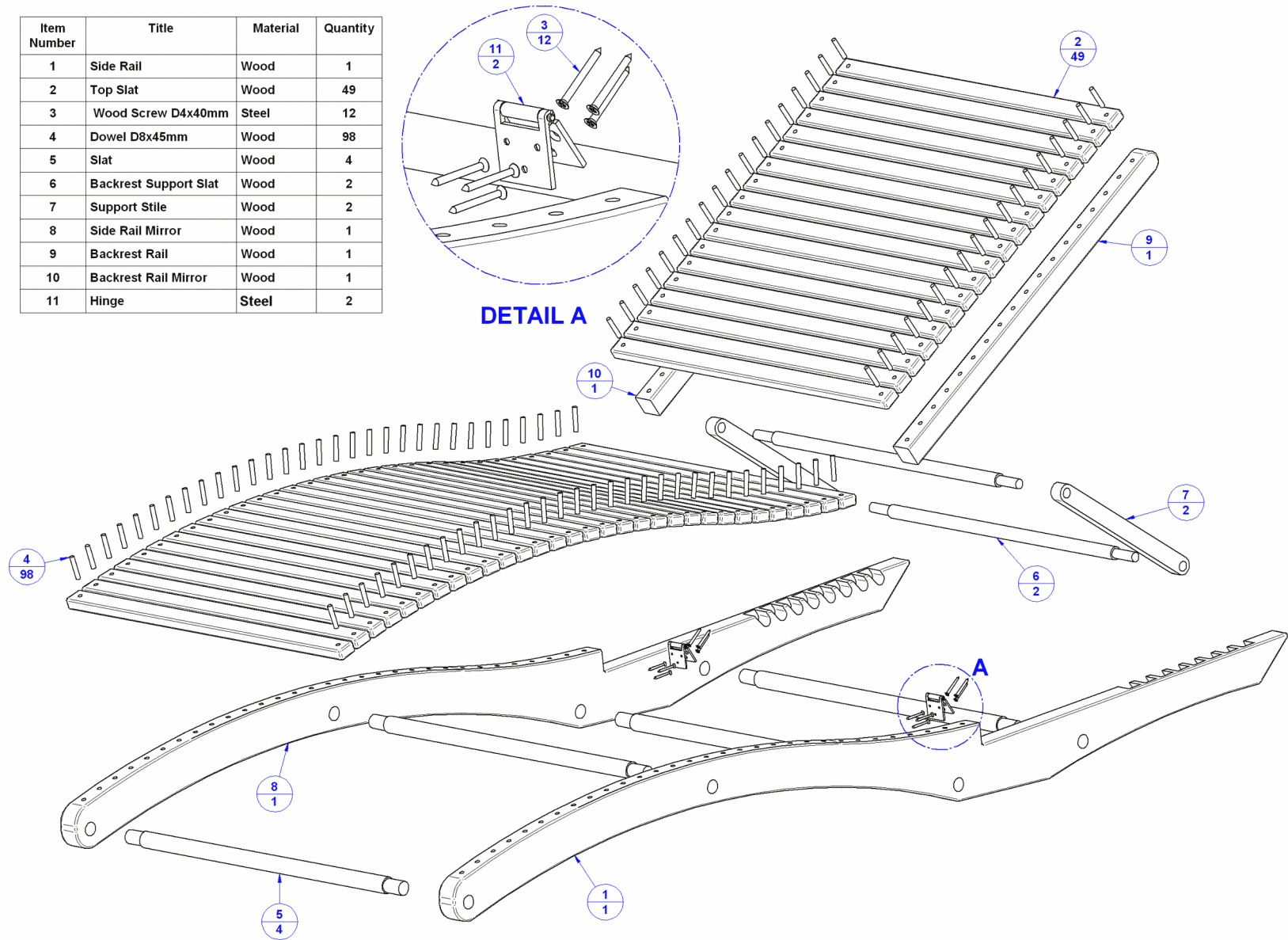
By using bracket and grooves the backrest can be adjusted into 9 positions, or it can be reclined completely flat, which is also practical during transportation and storing. Large part of the sun lounger is slightly curved and it allows more comfortable body rest. It is entirely made out of wood, but the dowel joints can be replaced with fasteners, if this is simpler solution for you during the manufacture. We decided to fasten it with dowel joints for aesthetic reasons.

When selecting wood for this sun lounger, you should keep in mind that wood must be suitable for outdoor use, durable and rot and insect resistant. There can be found many different types of wood on the market for this purpose, so we recommend you to consult the wood vendor about it. High quality types of wood for outdoor use are often very expensive, but there are many types of wood at a reasonable price that can also be used for this purpose and your lounger can last for a long time just with a little care, protection and occasional maintenance.

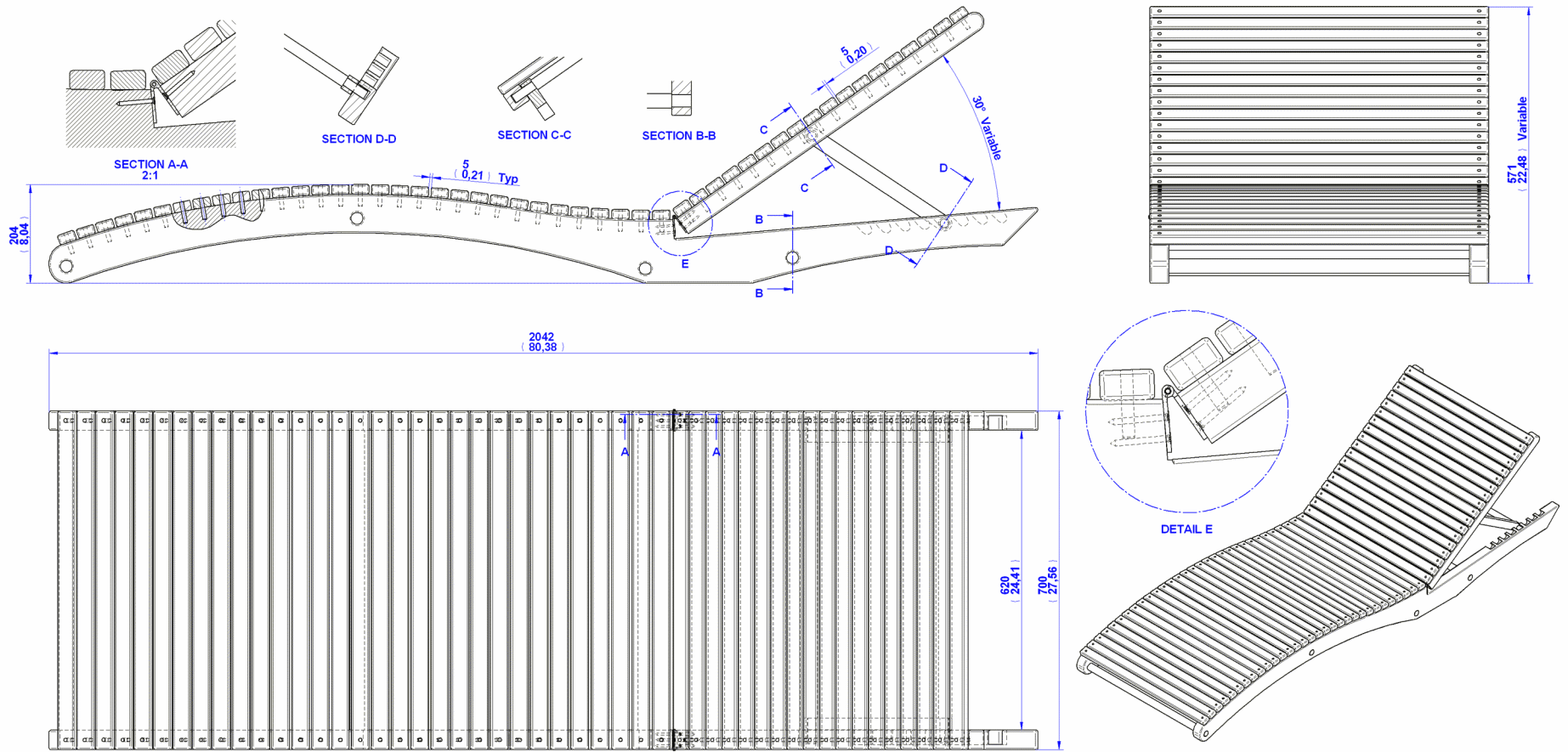
Carefully make the items by following the measurements given on particular pictures. The measurements are given in millimeters, while the measurements given in inches are in brackets (1 inch = 25,4 mm)

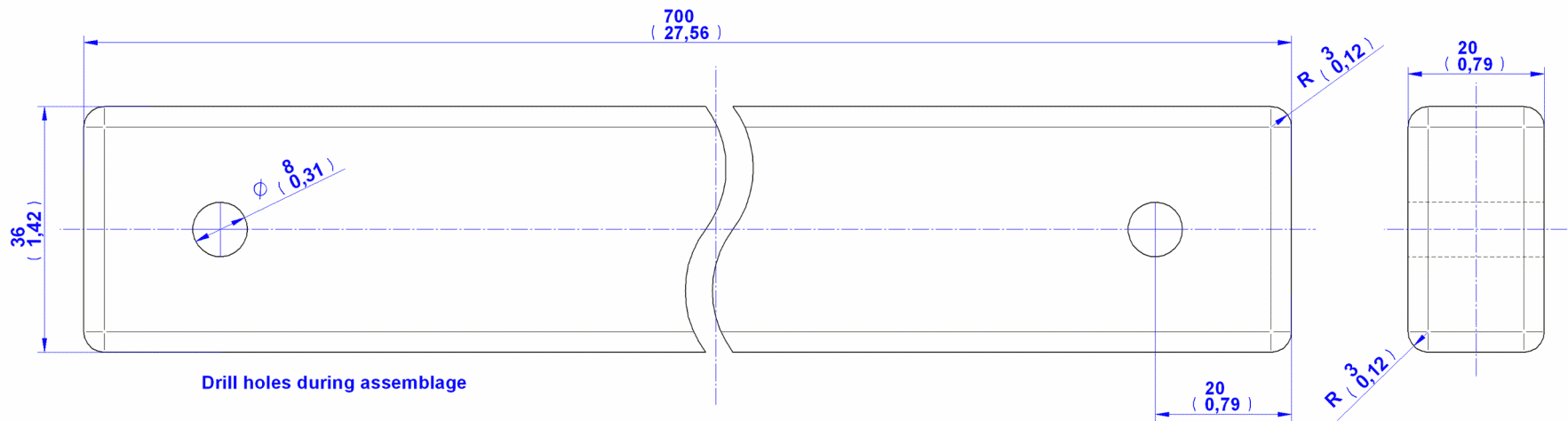
Sun Lounger - Parts list

| Item Number | Title | Material | Quantity |
|-------------|-----------------------|----------|----------|
| 1 | Side Rail | Wood | 1 |
| 2 | Top Slat | Wood | 49 |
| 3 | Wood Screw D4x40mm | Steel | 12 |
| 4 | Dowel D8x45mm | Wood | 98 |
| 5 | Slat | Wood | 4 |
| 6 | Backrest Support Slat | Wood | 2 |
| 7 | Support Stile | Wood | 2 |
| 8 | Side Rail Mirror | Wood | 1 |
| 9 | Backrest Rail | Wood | 1 |
| 10 | Backrest Rail Mirror | Wood | 1 |
| 11 | Hinge | Steel | 2 |

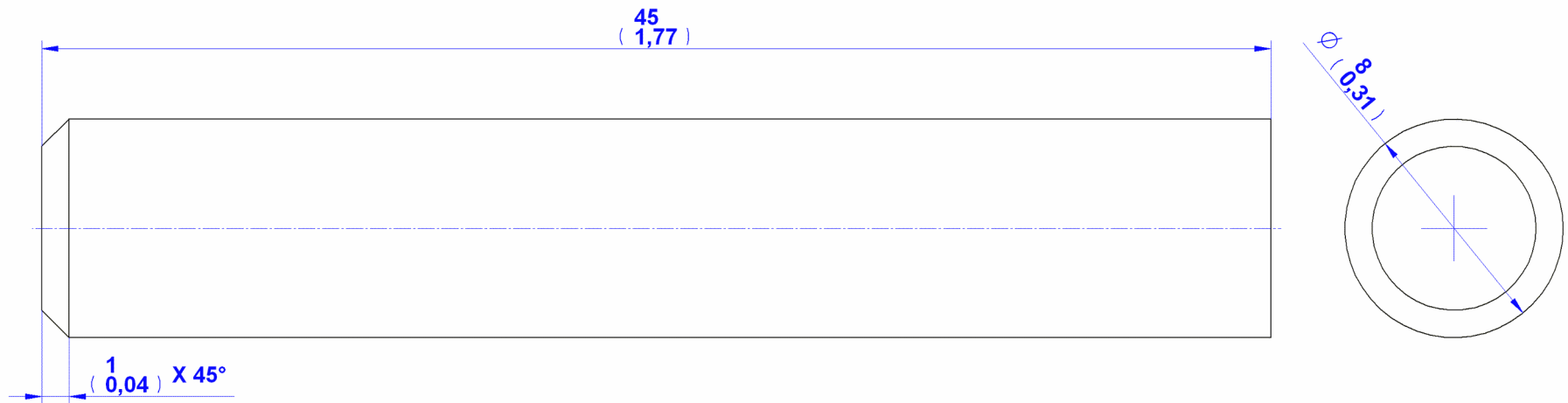


Sun Lounger - Assembly Drawing

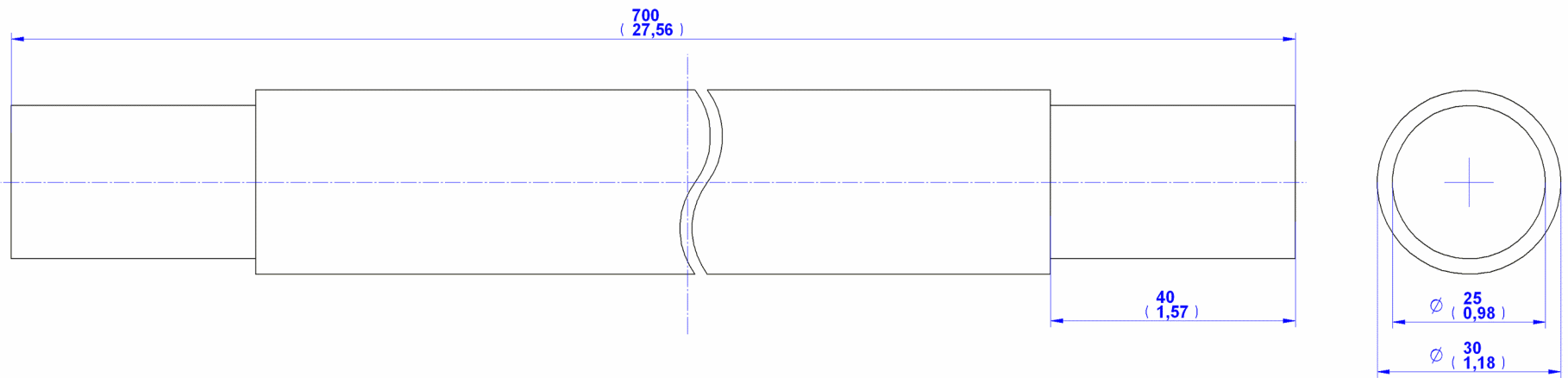




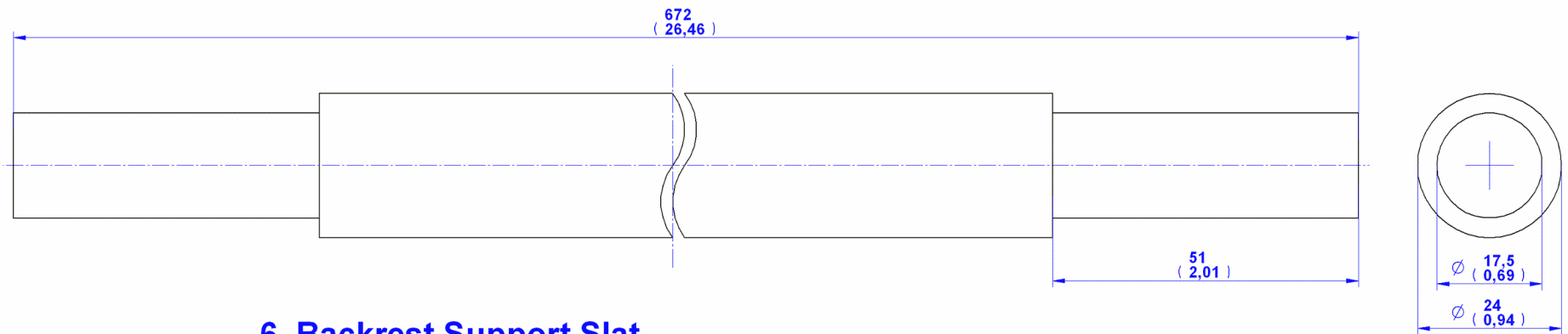
2. Top Slat



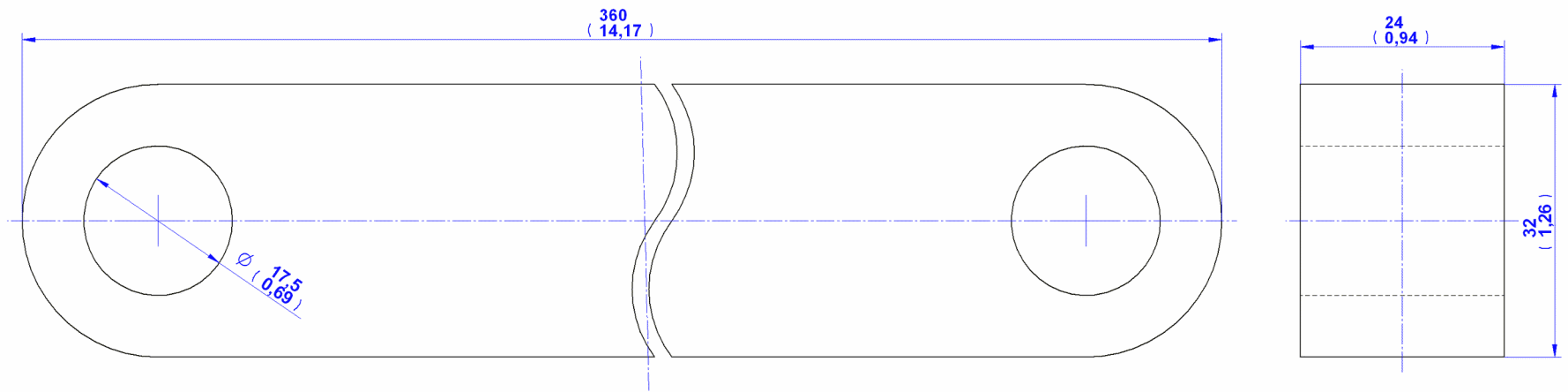
4. Dowel D8x45mm



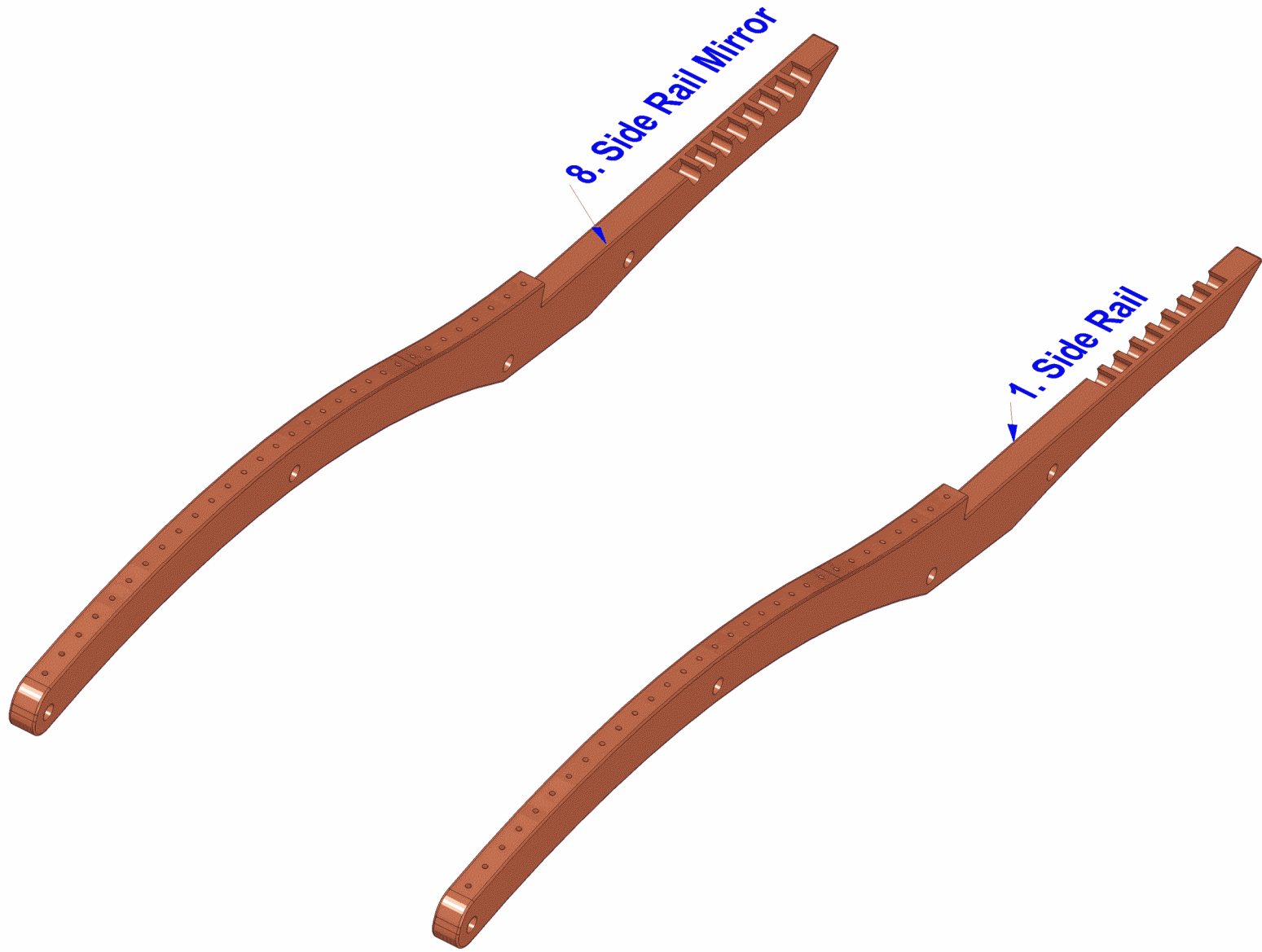
5. Slat

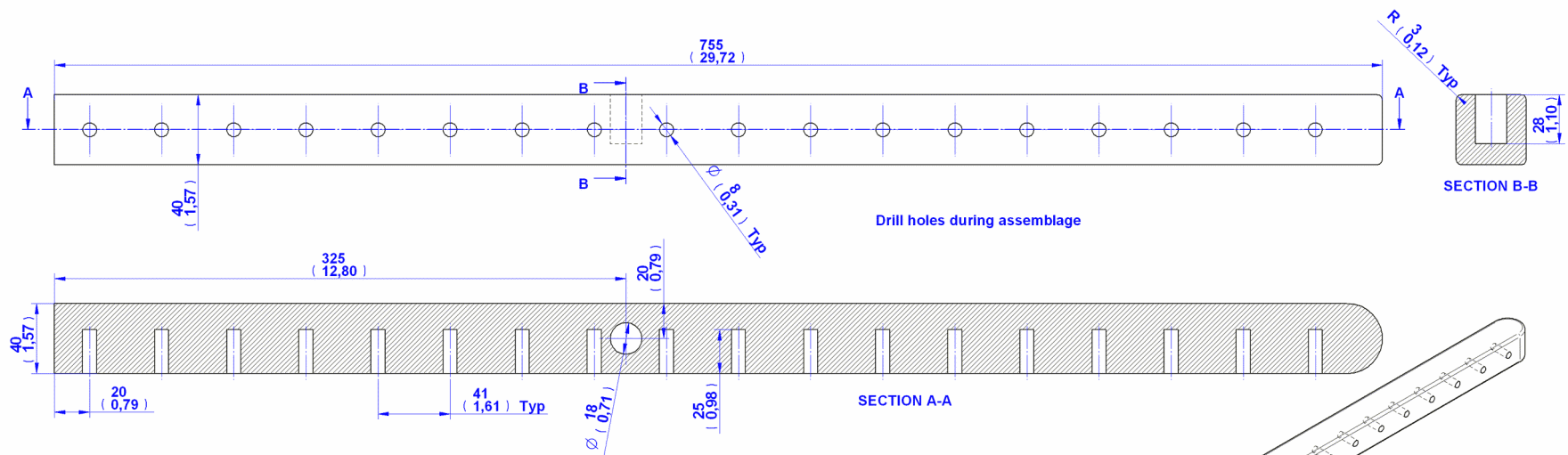


6. Backrest Support Slat

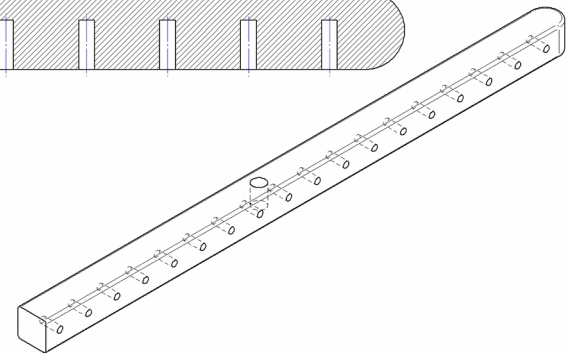


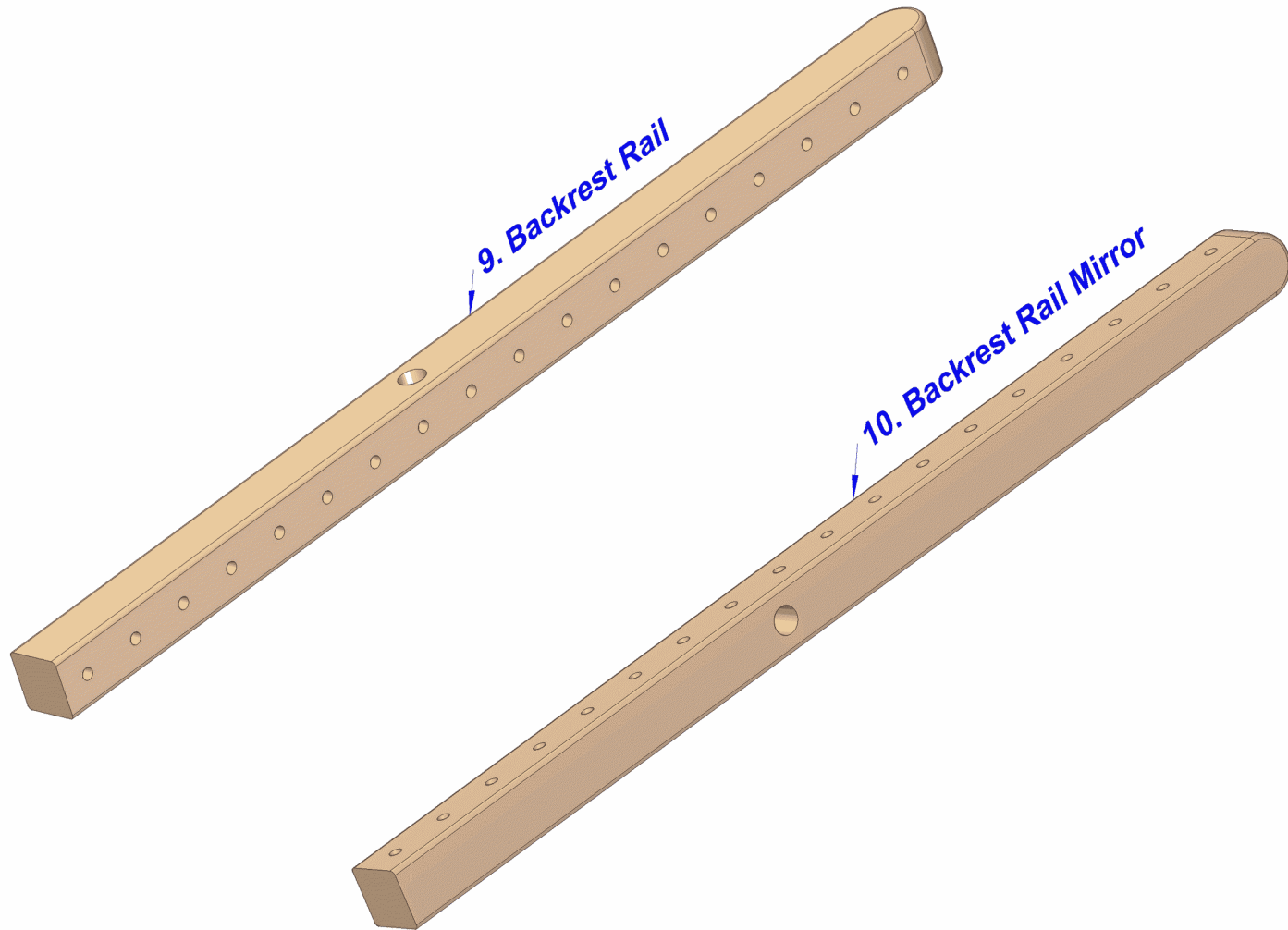
7. Support Stile



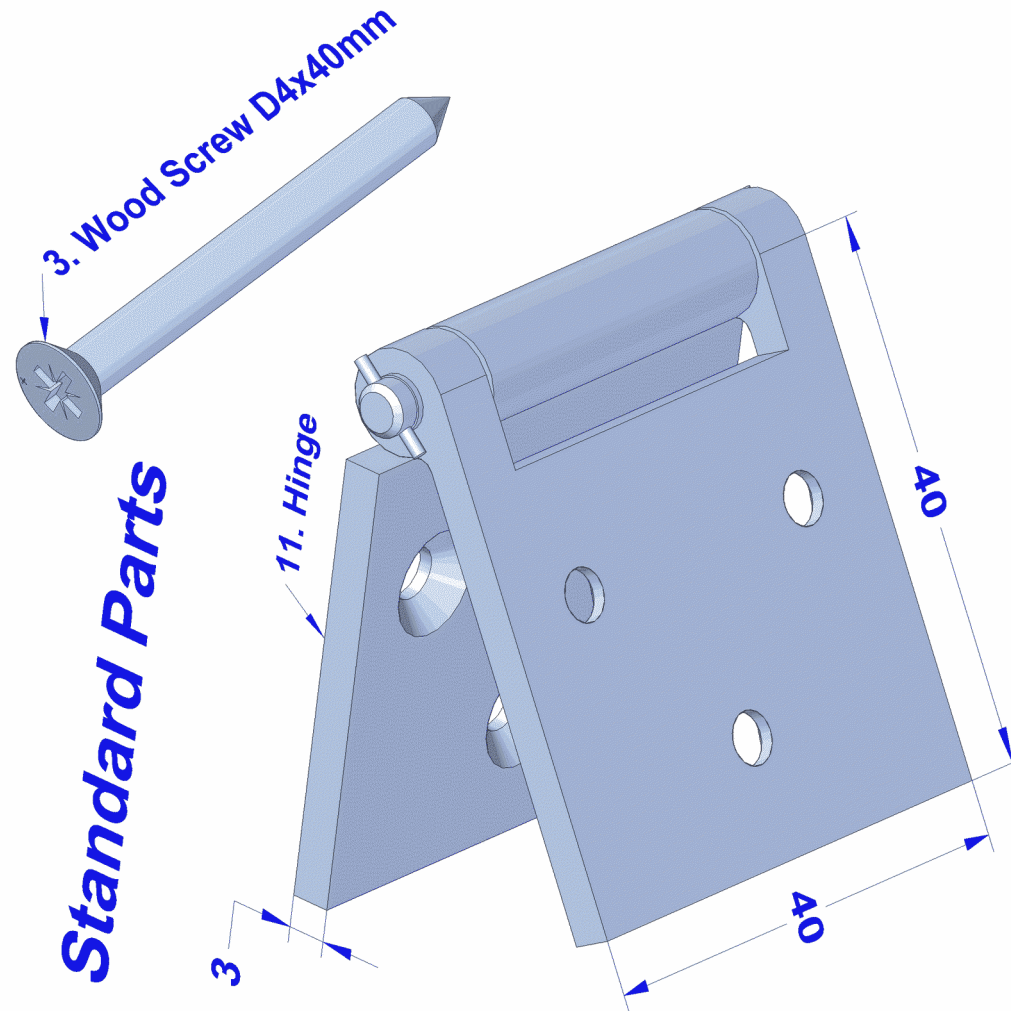


9. Backrest Rail



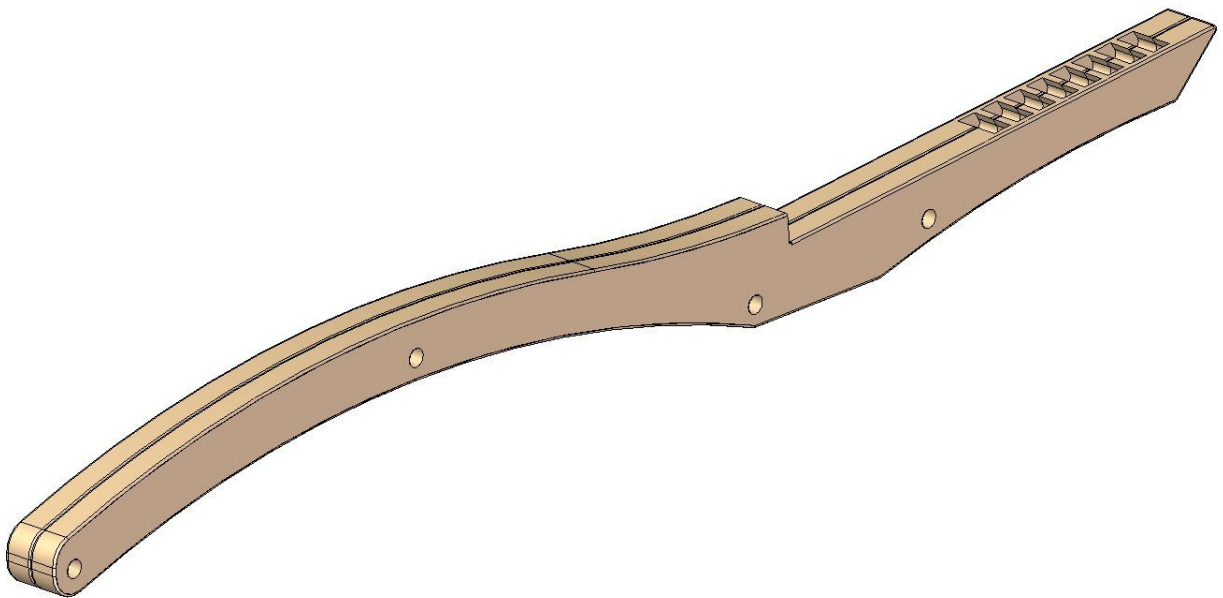
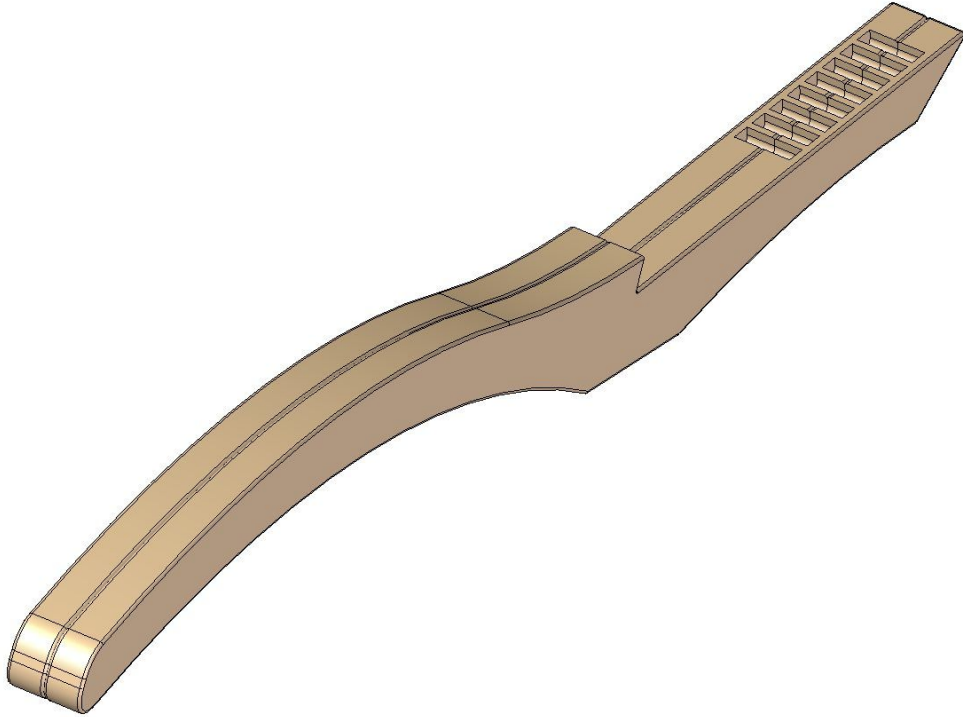


Standard parts

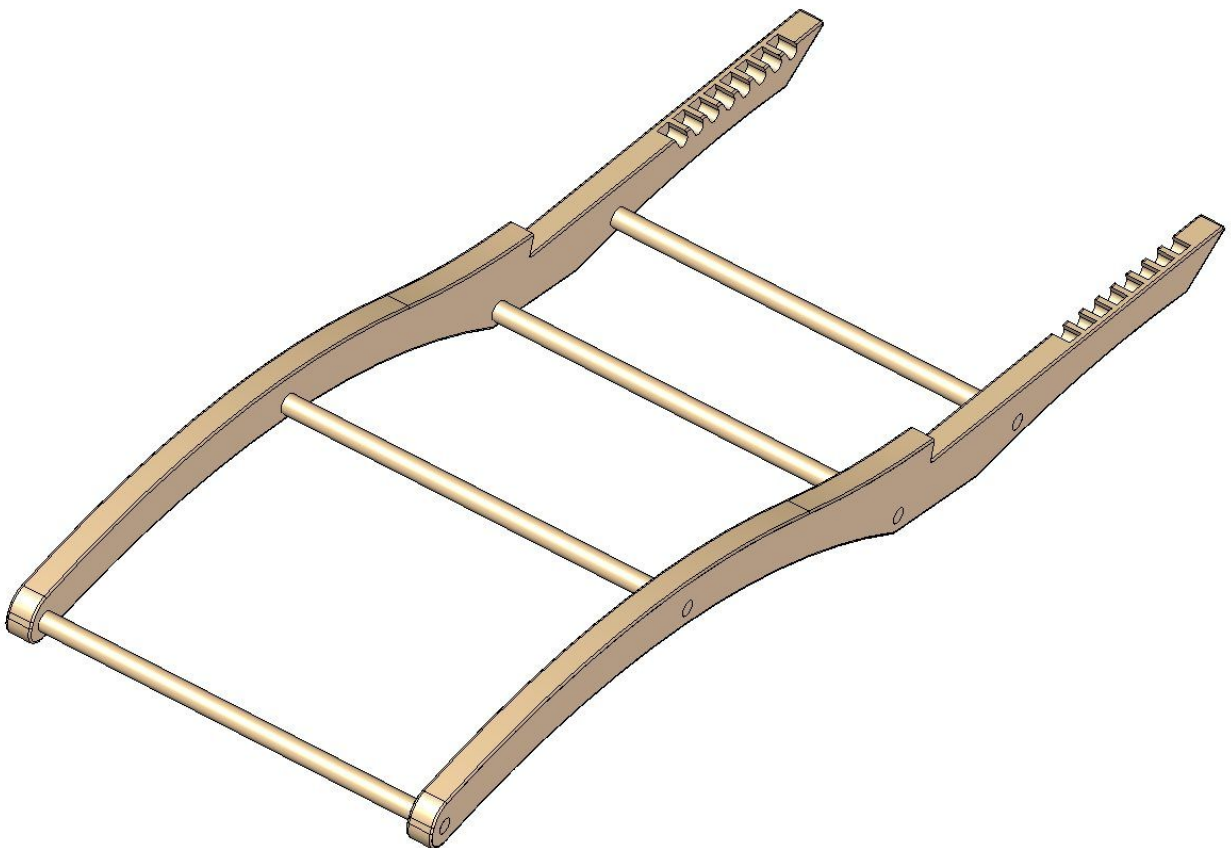
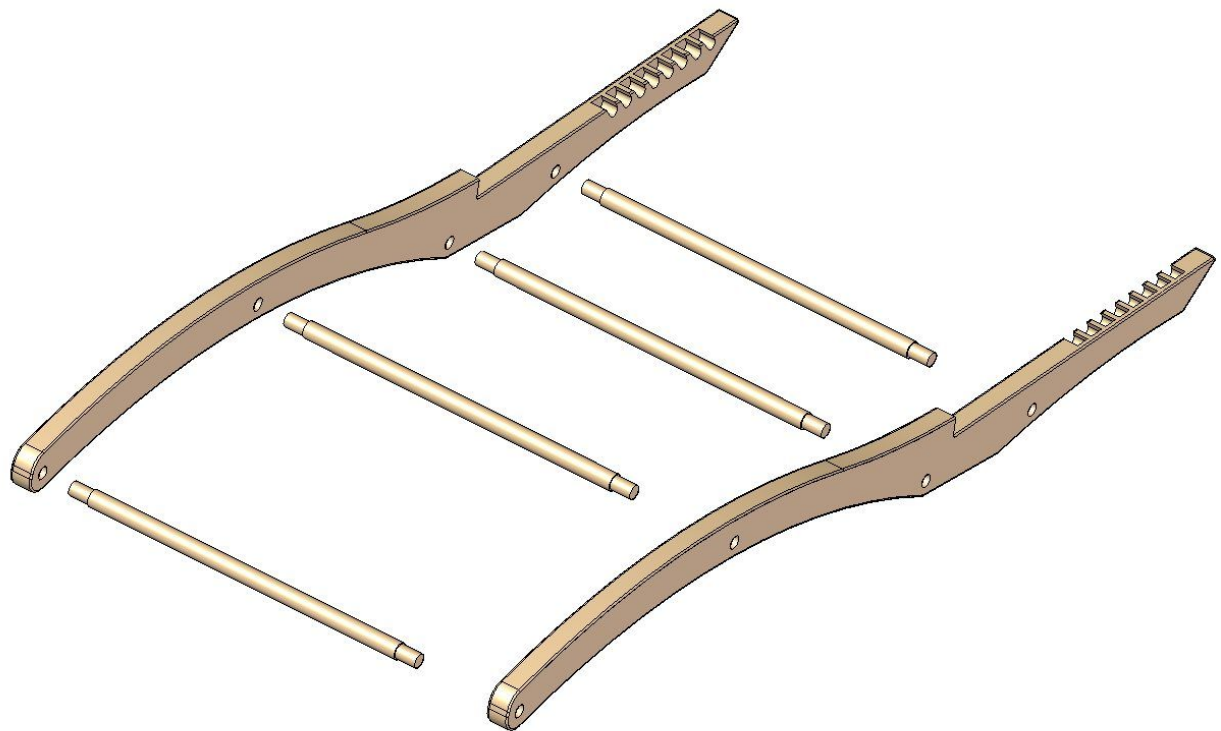


Assemblage Instructions

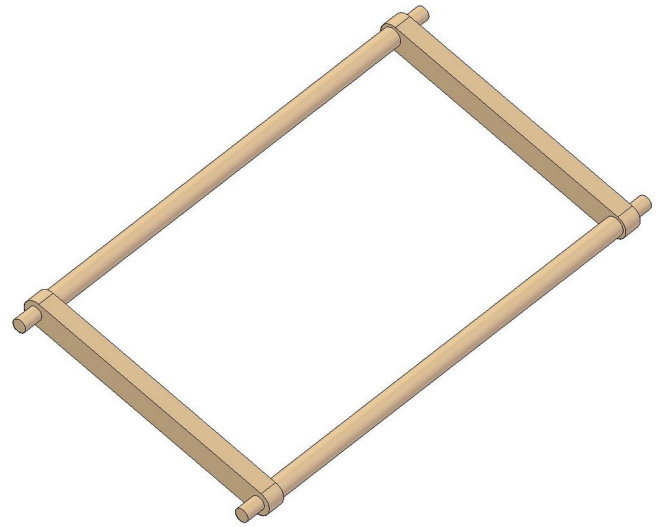
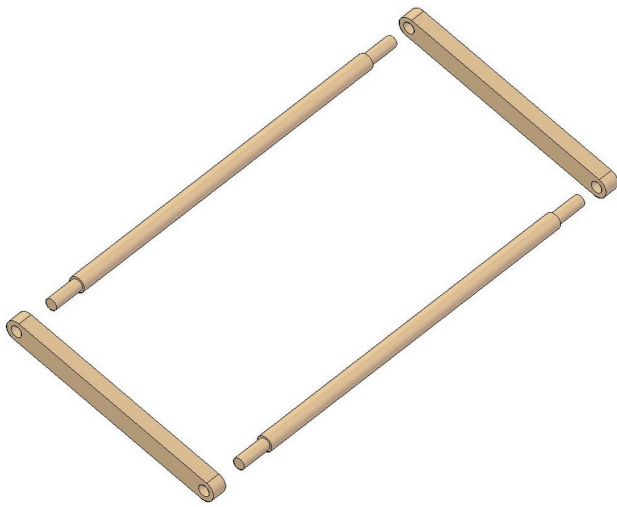
1.



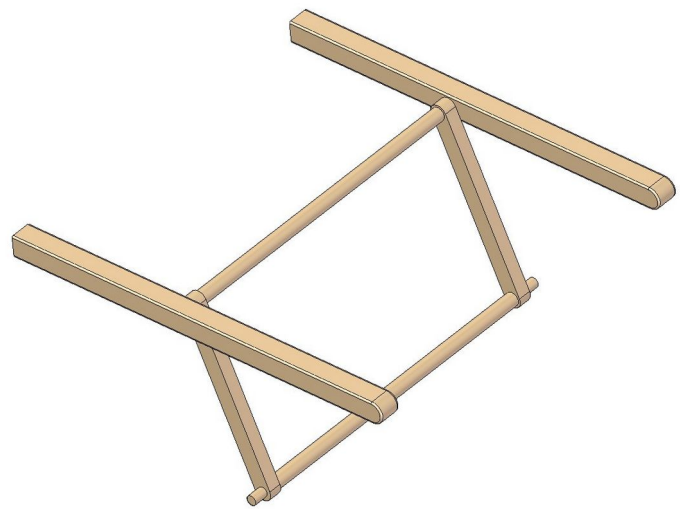
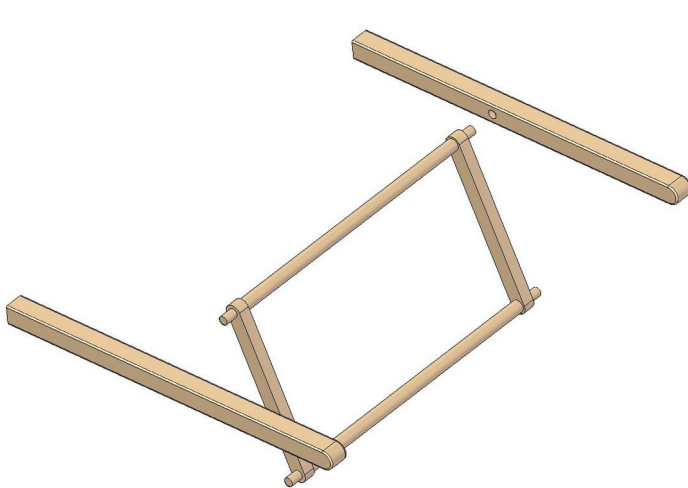
2.



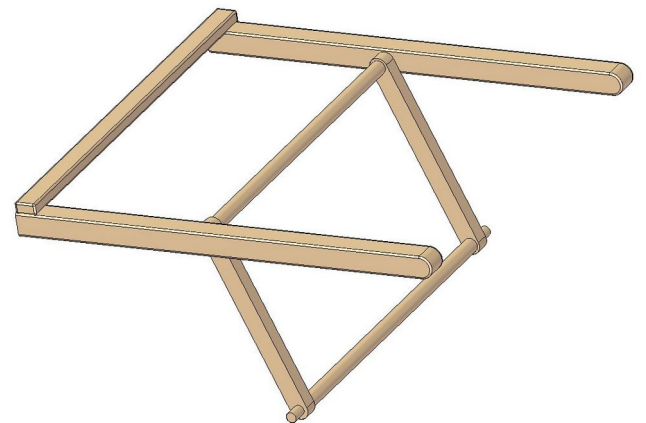
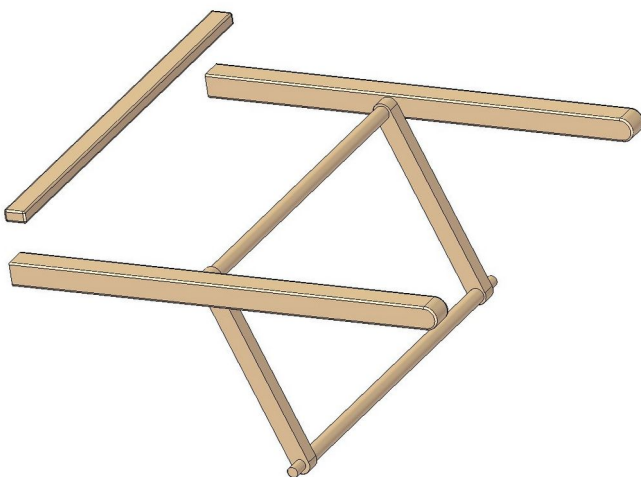
3.

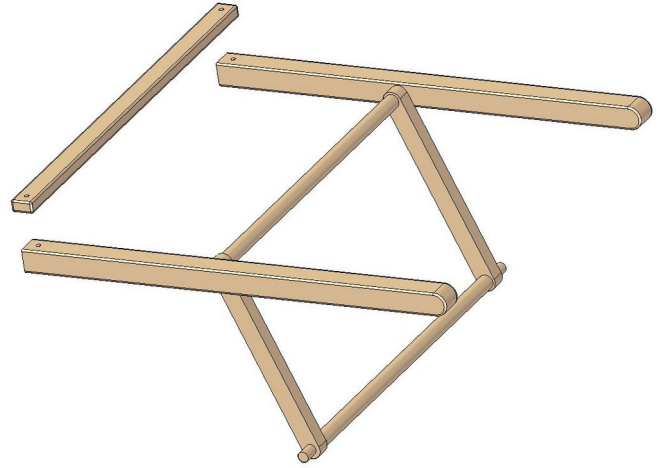
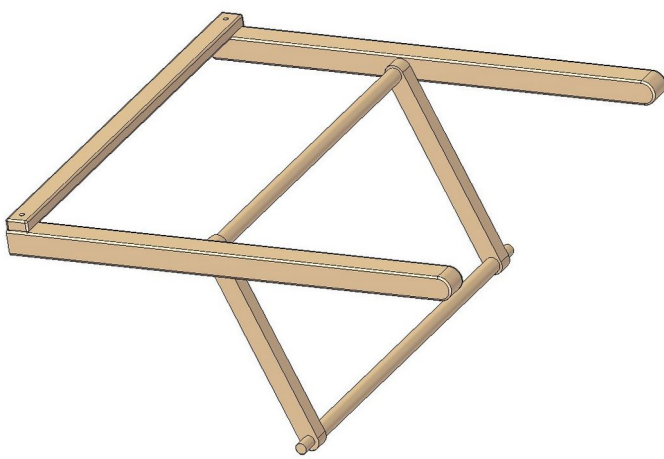


4.

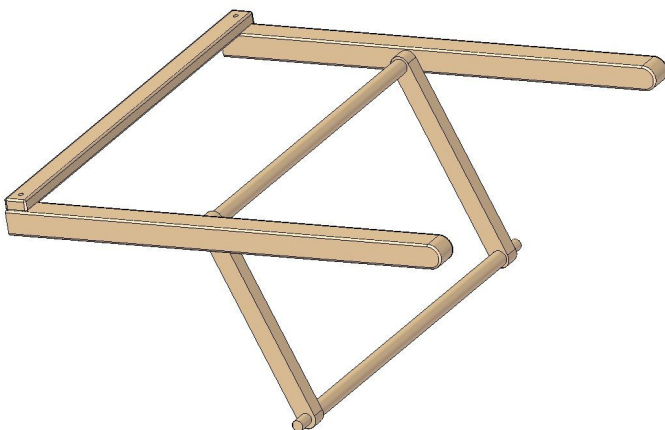
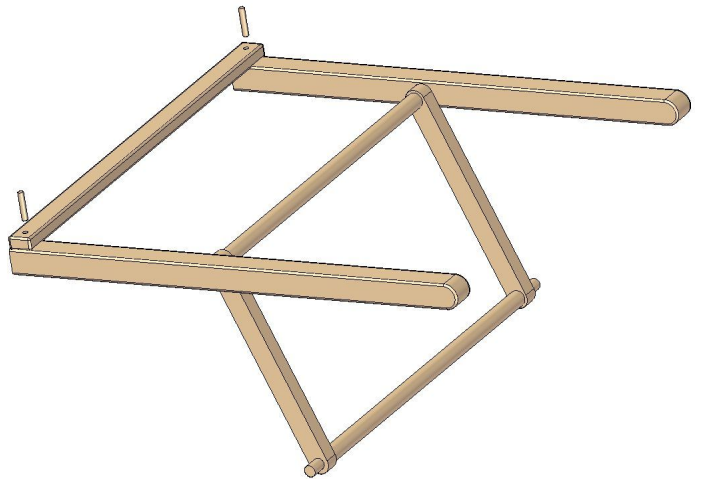
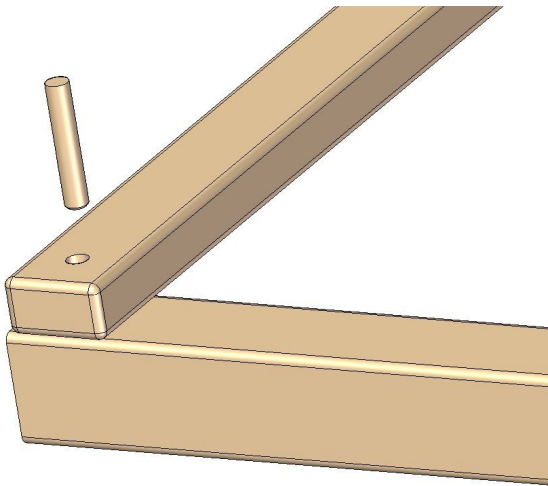


5.

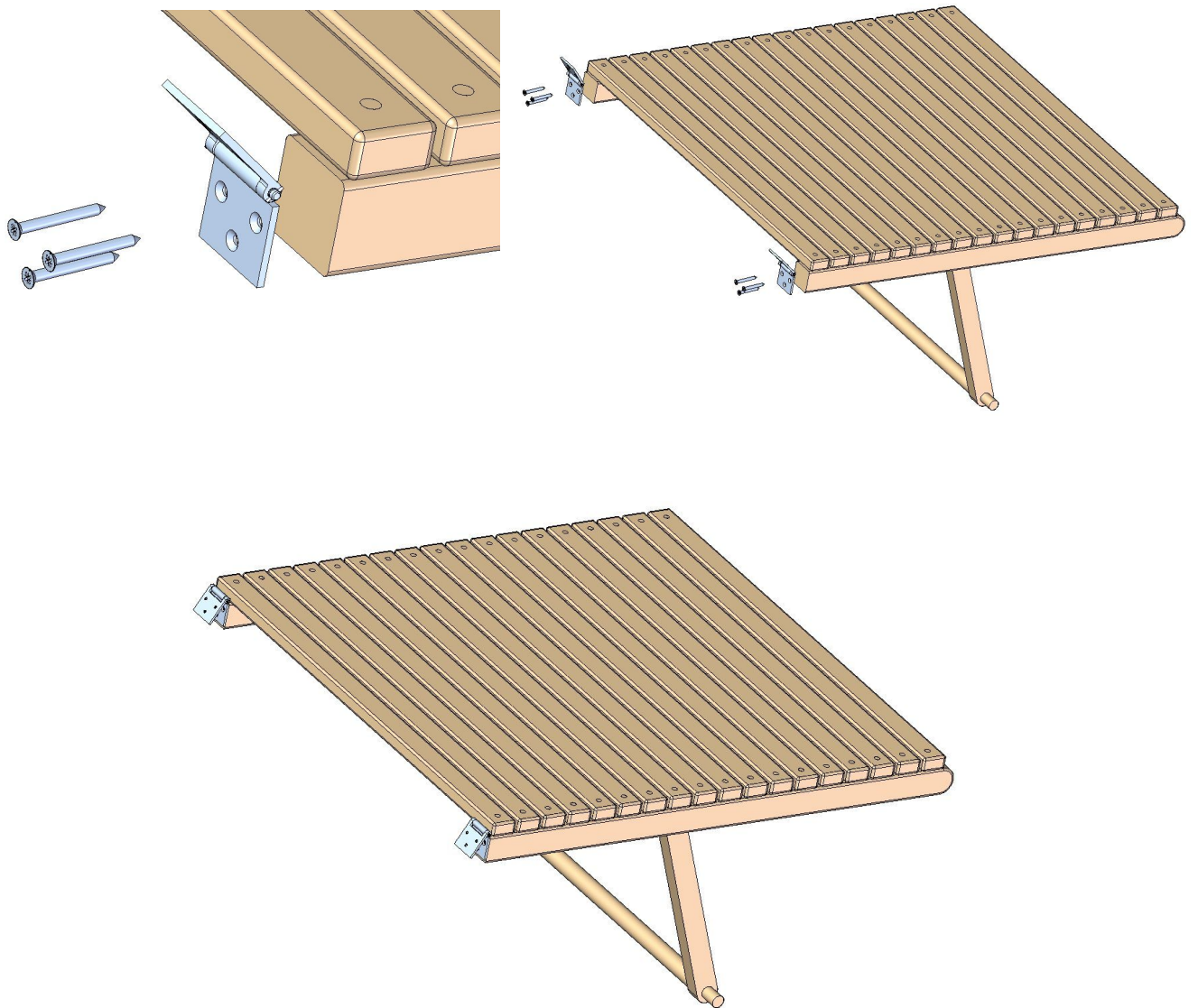




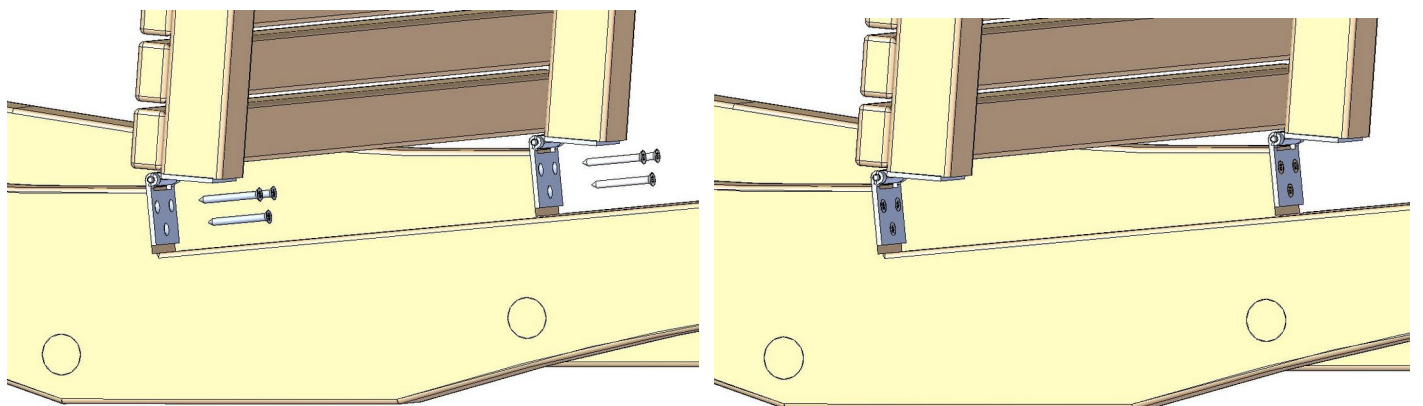
6.

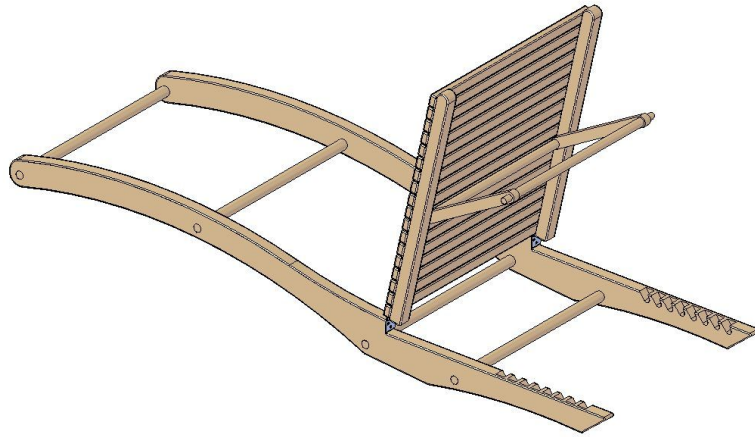


7.

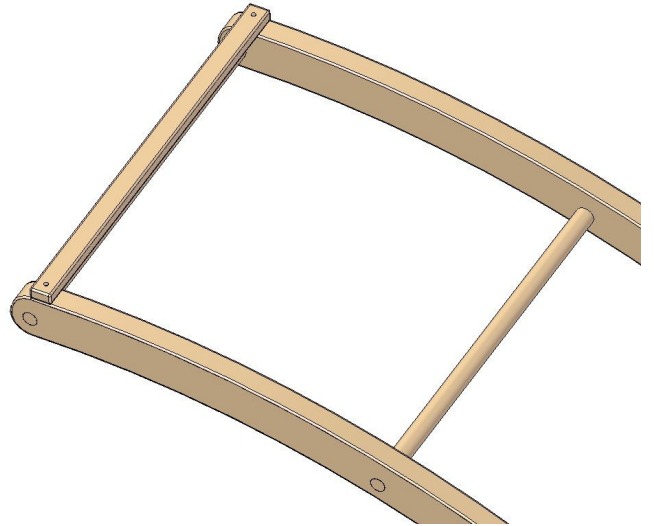
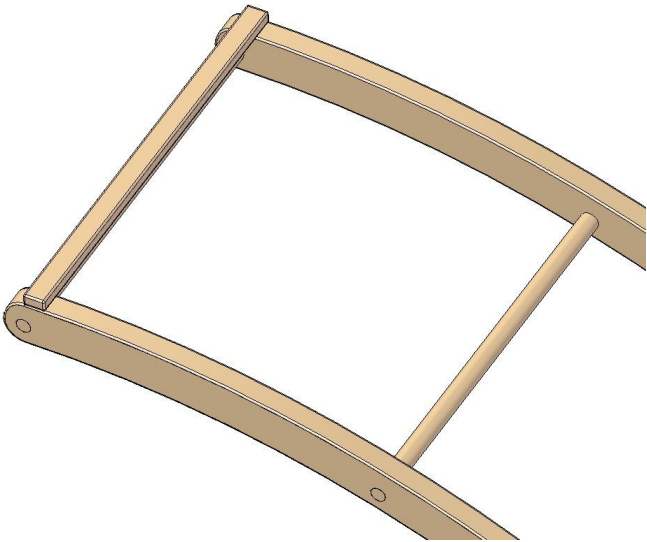


8.





9.



10.

