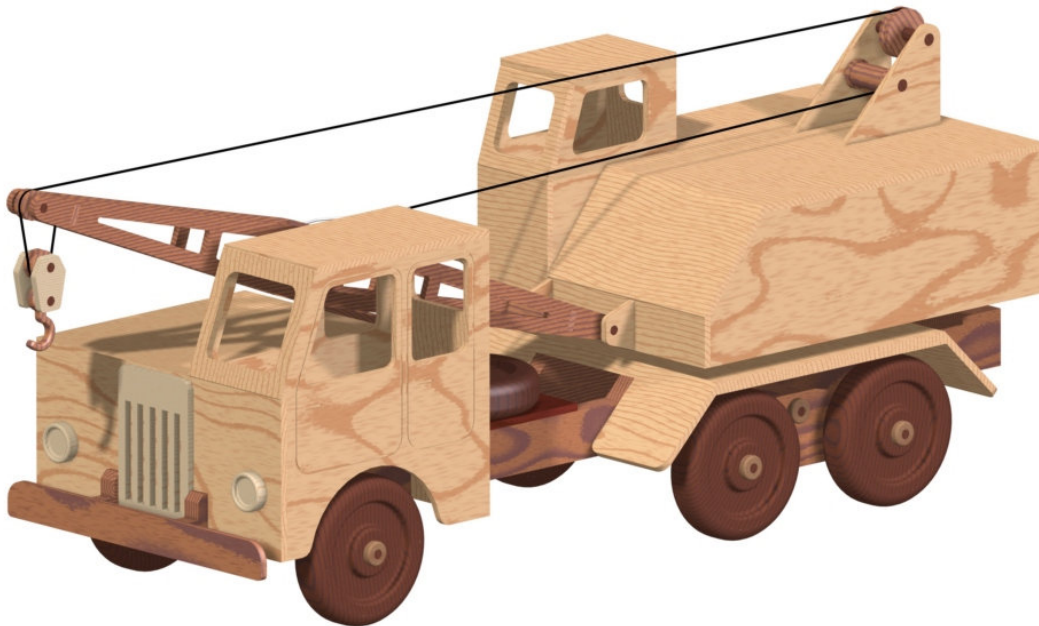


## Truck crane model plan

Trucks are a common inspiration in the modeling, because of the numerous details on them that challenge the modelers. For the modeling are especially interesting various modification of trucks, namely the trucks for some special purpose, such as fire truck, crane mounted truck, concrete mixer truck, military trucks, as well as the old models of trucks, because all of them contain some additional elements and altogether they represent very interesting modeling subjects.

In front of you is a plan of the wooden truck mounted crane model. On the model manufactured according to this plan the crane beam can be lifted and lowered, and the crane beam base can be rotated (crane boom will raise and lower and turn 360). In this plan, the truck mounted crane is not an exact replica, but much simplified model, so you can add or modify various elements on the model. For example, you can make some other type of the wheels, you can mount the wheels in some other way or you can add some details if you like. You should pay special attention to cutting the parts, drilling the holes and mounting, because even small inaccuracy will result in difficult assemblage and motion of the moving parts, or at least the model will not look perfect.

Most parts on this model have very simple shape that can be cut easily. The assembly has no complicated woodworking joints, because all the parts are joining together by gluing.



As a material you can use any type of wood that is easy to cut and process. Manufacture of this model does not require larger pieces of wood, so this is a great opportunity to use the scrap hardwoods in your workshop. It is recommended to use the wood without damages and knots as they can make manufacture of small parts difficult. By combining various types of wood of different colors you can improve the appearance of a finished model.

Because this model is very simple and not an exact replica, it can be a good subject to practice modeling for the beginners or older children.

You should keep in mind that for successfully completed model, you have to overcome two basic rules: be patient and meticulous in their work. A modeler who possesses both these qualities can make models that will look fantastic. Modeling should not be considered as gluing the pieces together, but as a process in which all steps, from making parts, assembly, painting and adding details require equal attention, patience and dedication.

For making the wooden truck crane model by our plan, at the beginning you should carefully study the plan, and then select the proper pieces of wood.

Cut all pieces to overall size according to the 2D drawings. Lay out the patterns carefully and saw the blocks to shape on a scroll saw and band saw.

Before assembly, give all parts a thorough final sanding. Try to do all cutting, shaping, drilling, smoothing and rounding on each piece before assembly.

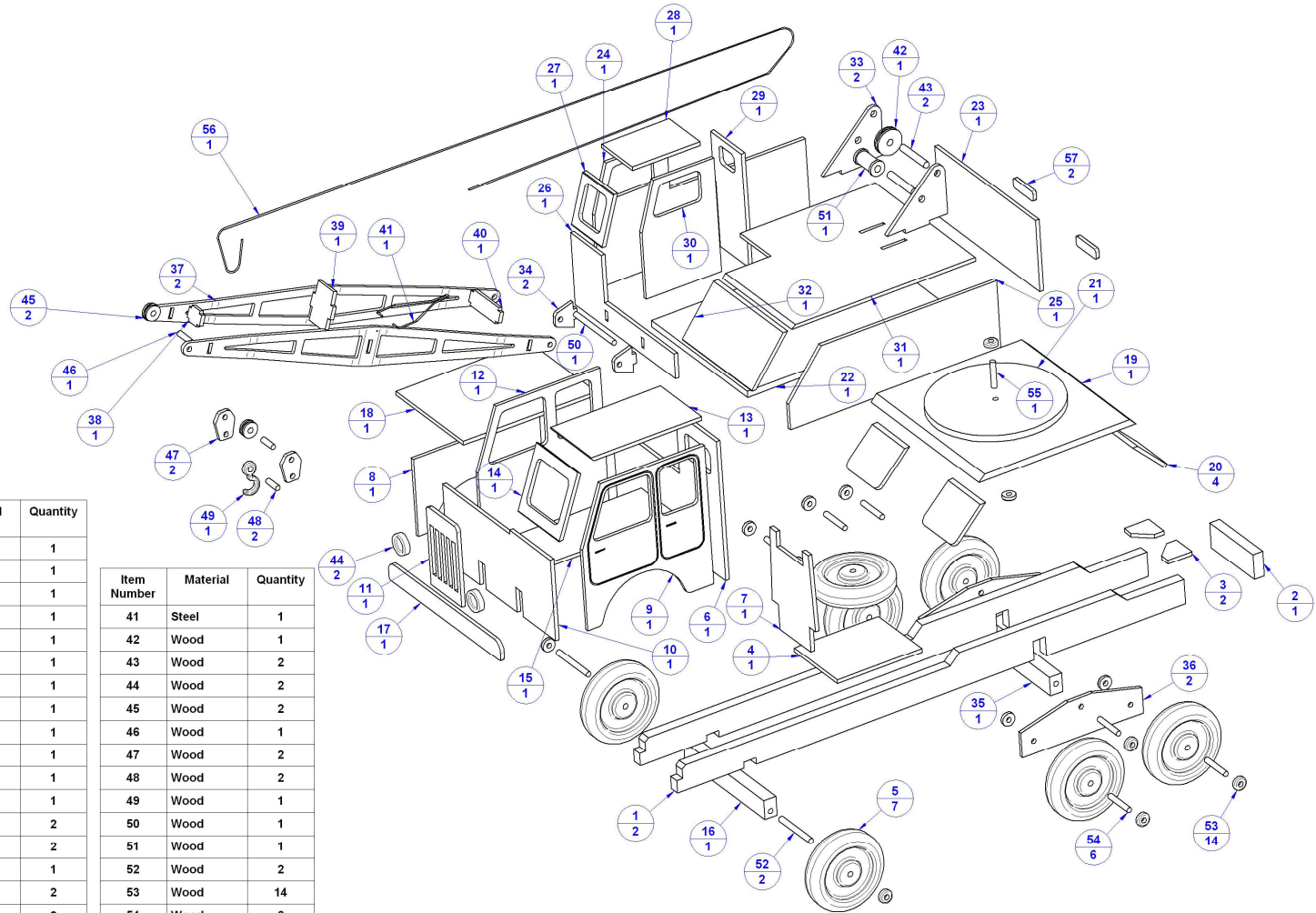
Do not glue parts together, until you cut and dry fit all the pieces, in order to be sure that everything fits together properly. Be sure to check if all the pieces are well cut, because it is much easier to work while the part is still lying on the table than later when it is fastened to a partly assembled chassis or cab.

Assemble all parts according to the exploded view. All parts are assembled using glue. Use transparent tape or rubber band to hold assembled pieces until glue has dried. Clean up any spots where excess glue squeezed out.

Whether you are building a large or a small model, assemblage is easier if you break things up into logical subassemblies. Construction can be divided into four subassemblies: the chassis, the crane beam, the cab and the crane beam base. As with real truck assembly, start the assemblage from the chassis, as all the other subassemblies are mounted onto it.

Apply finish. You can leave crane mounted truck as it is, or add a couple coats of clear varnish. You can decide to paint your model. In that case, you can copy the color scheme of the actual truck cranes, and actual pictures of the truck mounted cranes can help – they can easily be found on the internet. Try to paint your model as close to the original as possible. With a little effort and patience, you can make this model look like exact replica.

Truck crane model parts list

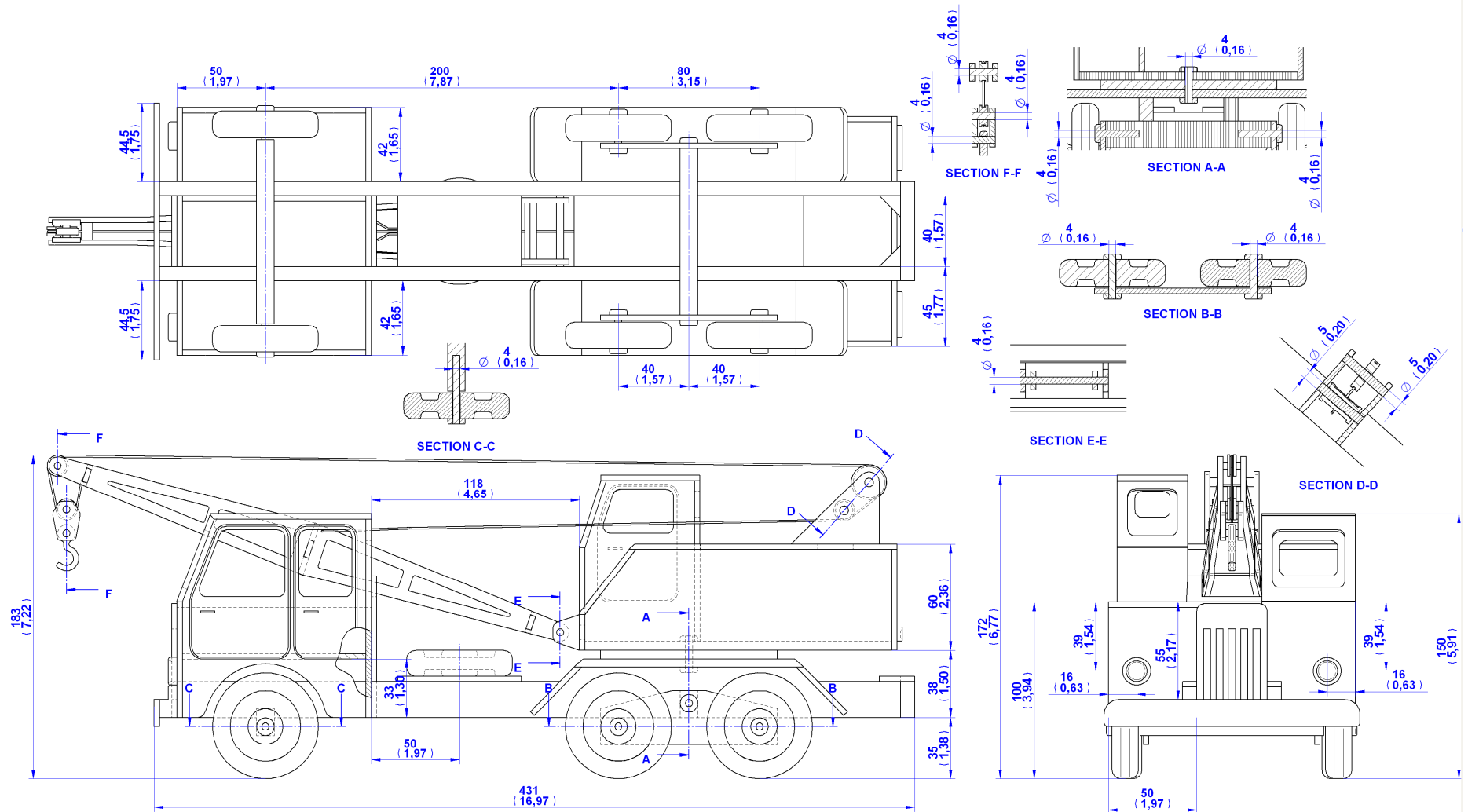


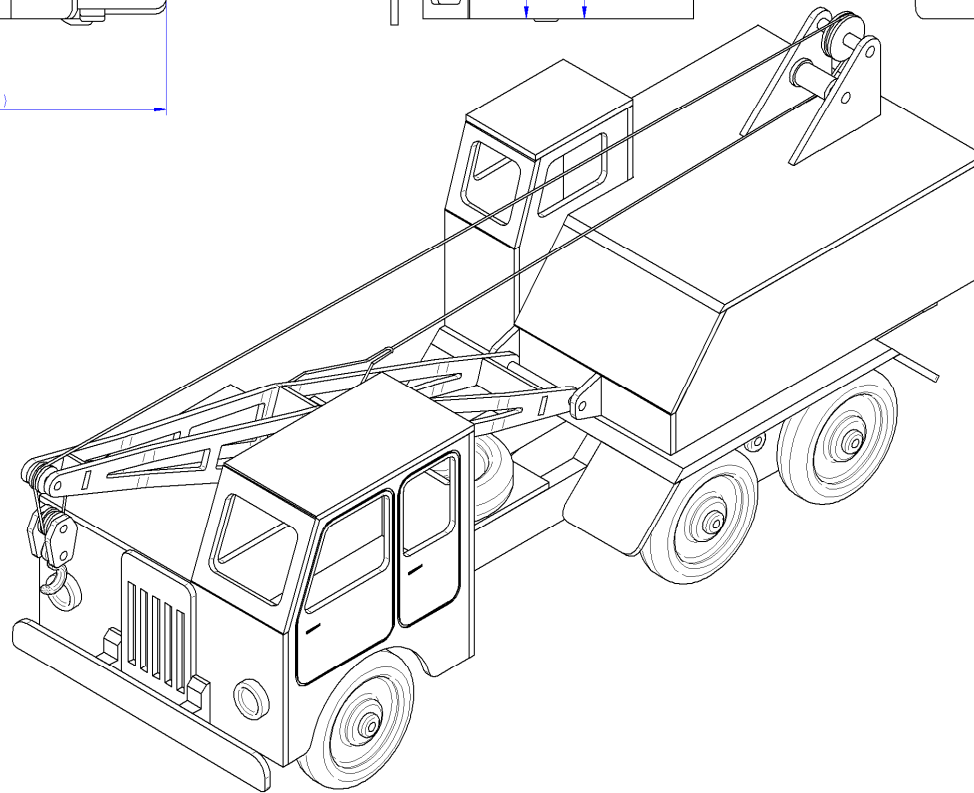
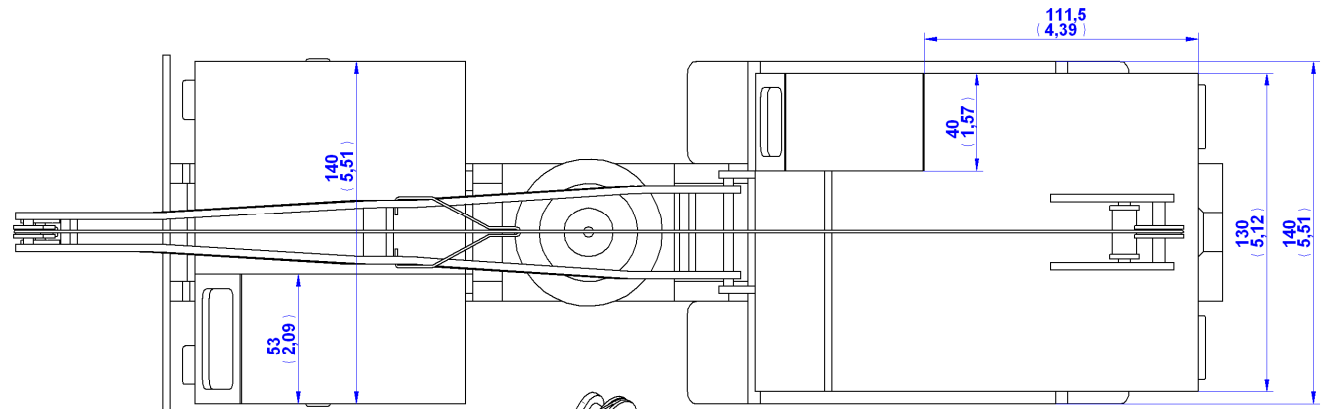
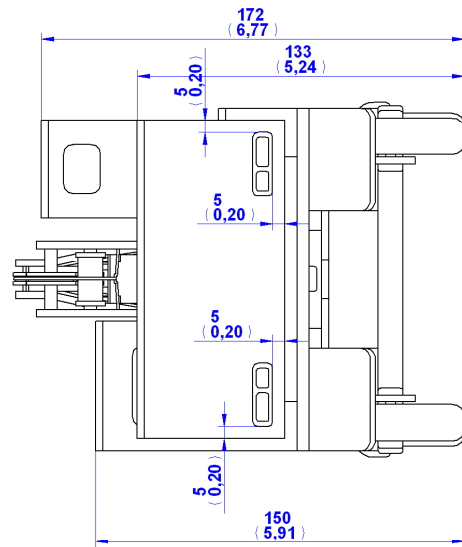
Item Number	Material	Quantity
1	Wood	2
2	Wood	1
3	Wood	2
4	Wood	1
5	Wood	7
6	Wood	1
7	Wood	1
8	Wood	1
9	Wood	1
10	Wood	1
11	Wood	1
12	Wood	1
13	Wood	1
14	Wood	1
15	Wood	1
16	Wood	1
17	Wood	1
18	Wood	1
19	Wood	1
20	Wood	4

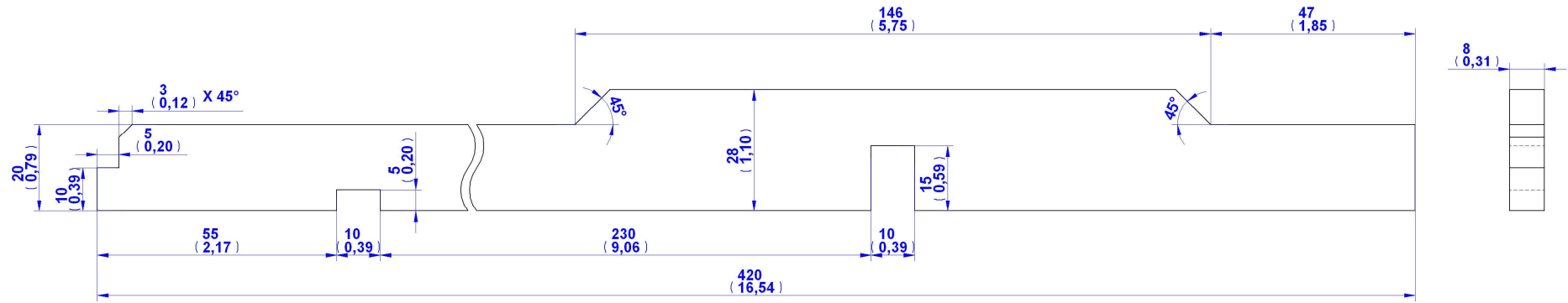
Item Number	Material	Quantity
21	Wood	1
22	Wood	1
23	Wood	1
24	Wood	1
25	Wood	1
26	Wood	1
27	Wood	1
28	Wood	1
29	Wood	1
30	Wood	1
31	Wood	1
32	Wood	1
33	Wood	2
34	Wood	2
35	Wood	1
36	Wood	2
37	Wood	2
38	Wood	1
39	Wood	1
40	Wood	1

Item Number	Material	Quantity
41	Steel	1
42	Wood	1
43	Wood	2
44	Wood	2
45	Wood	2
46	Wood	1
47	Wood	2
48	Wood	2
49	Wood	1
50	Wood	1
51	Wood	1
52	Wood	2
53	Wood	14
54	Wood	6
55	Wood	1
56	Cord	1
57	Wood	2

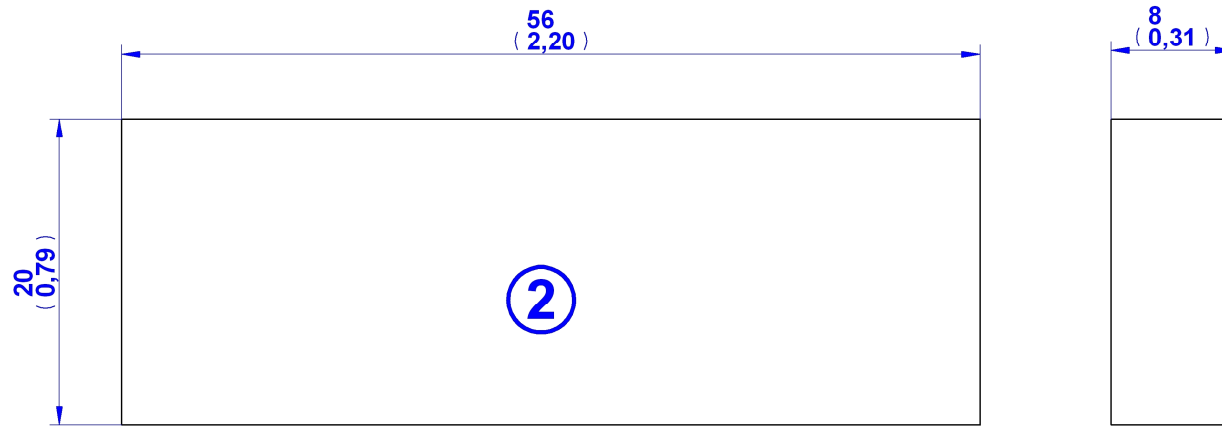
Truck crane assembly drawing

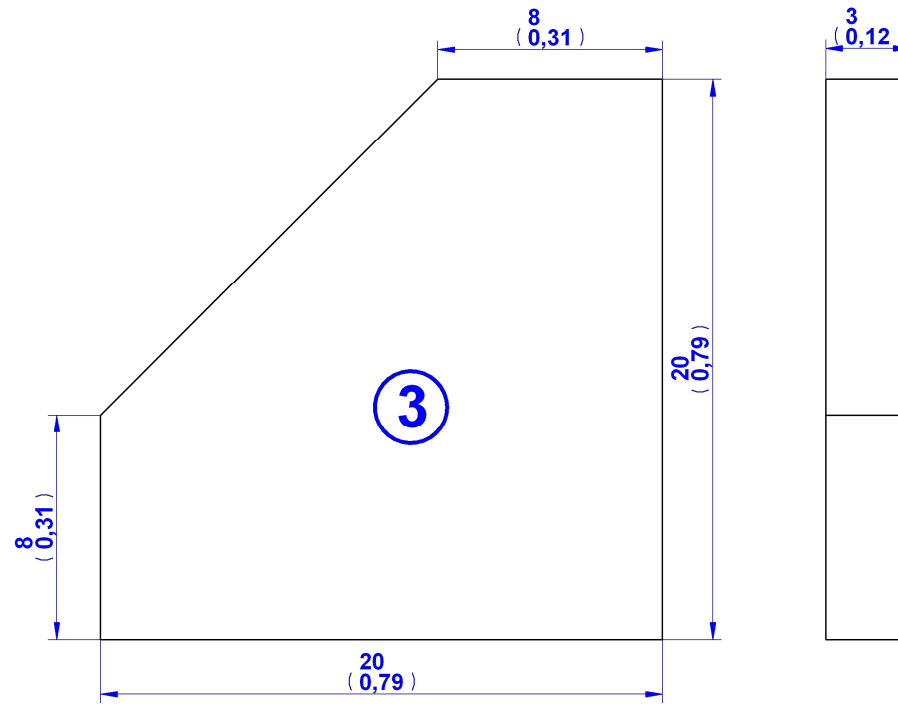




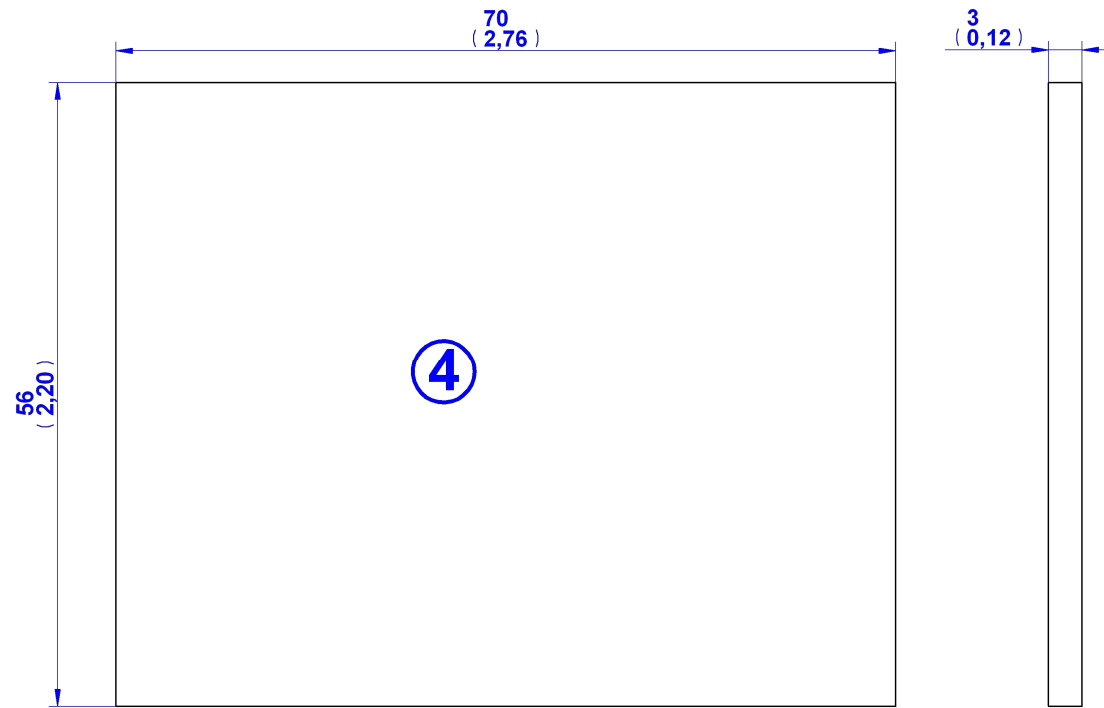


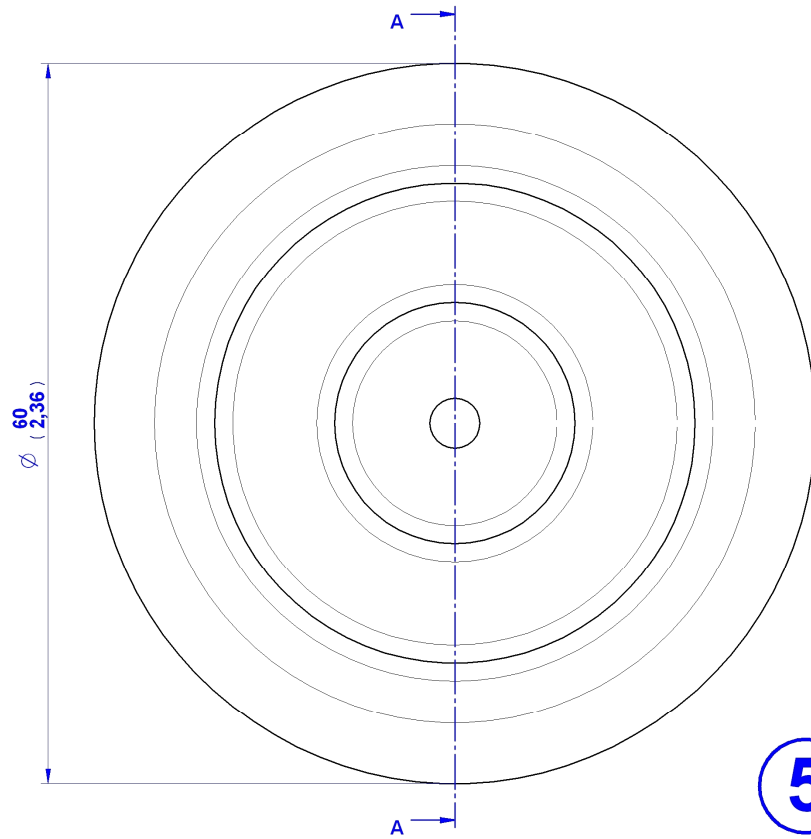
1



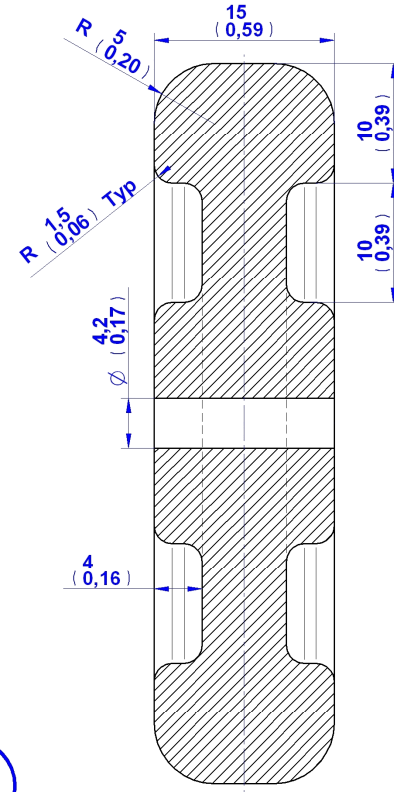


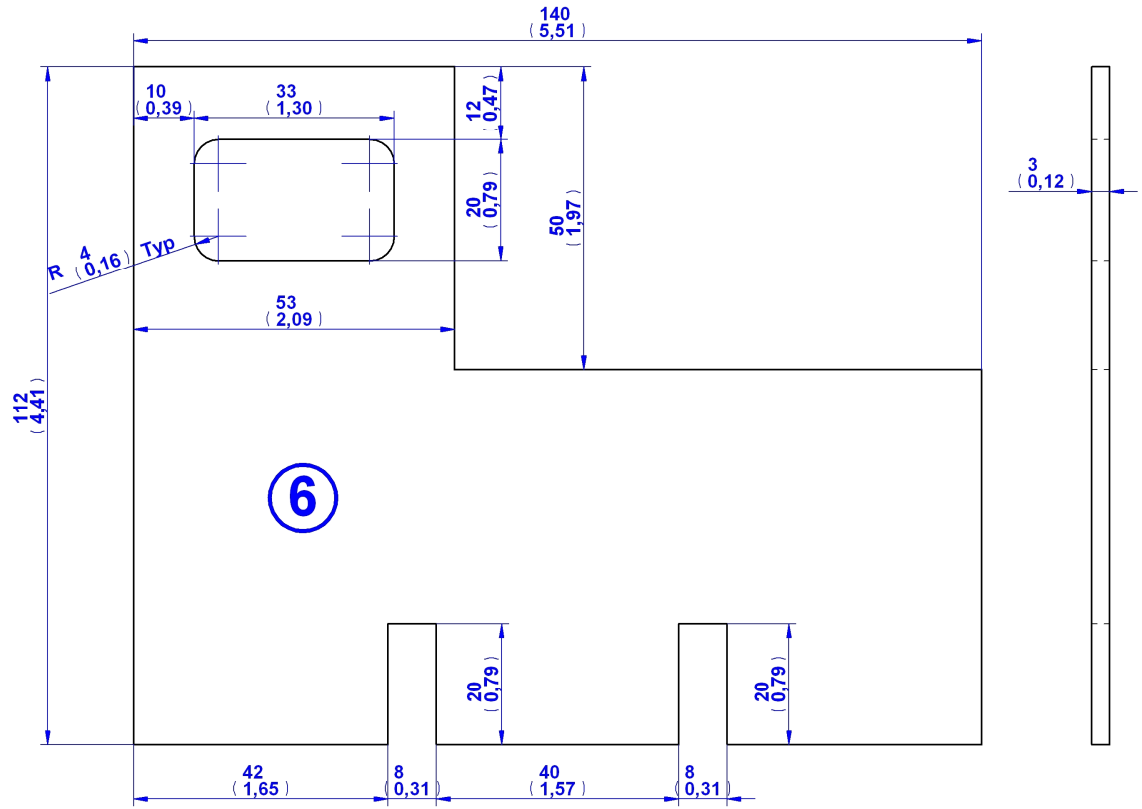


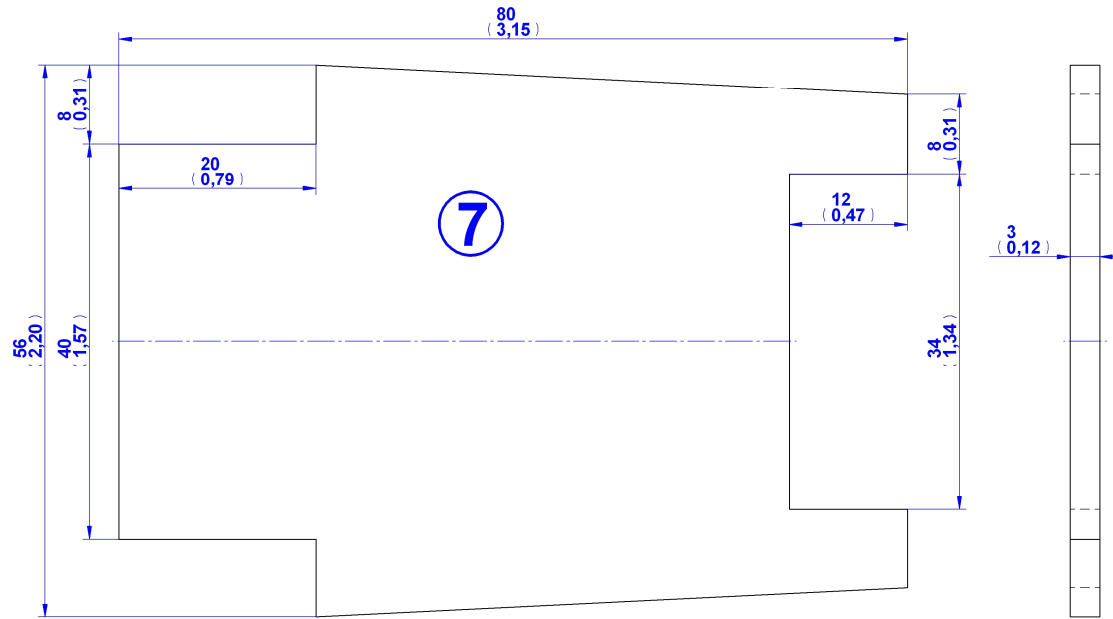


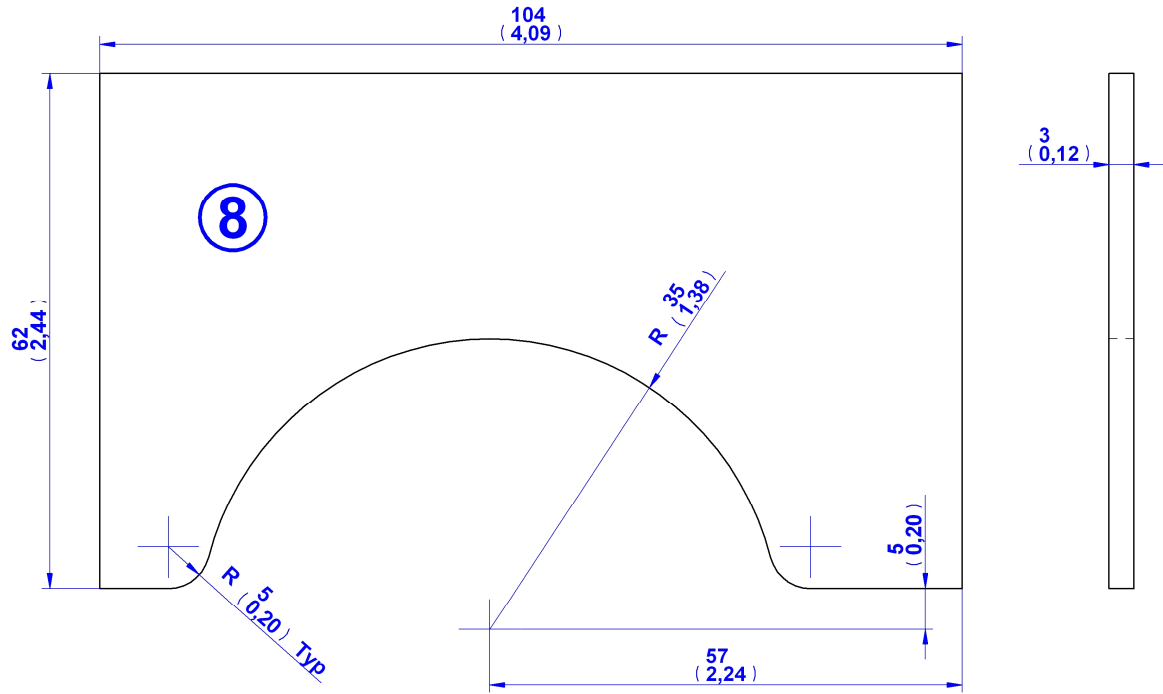


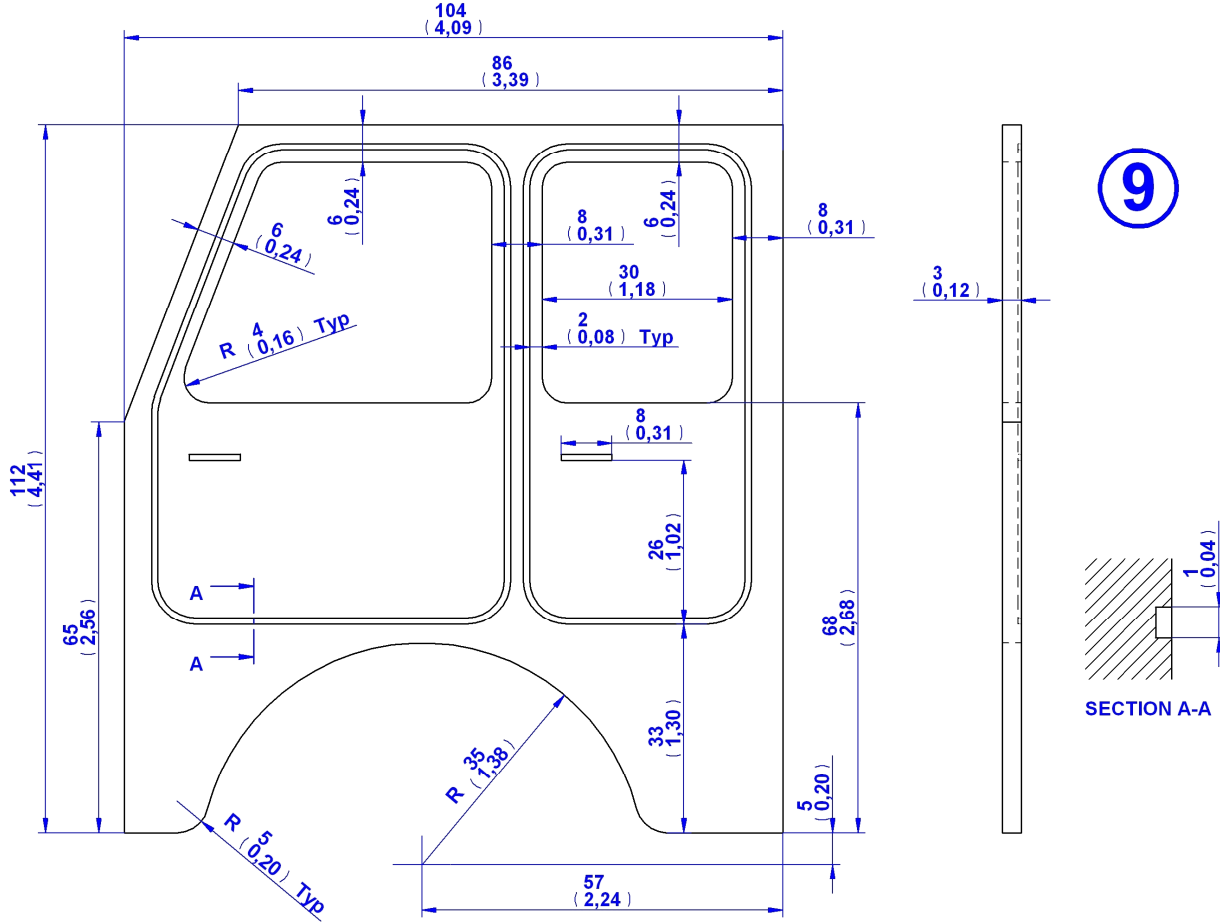
5





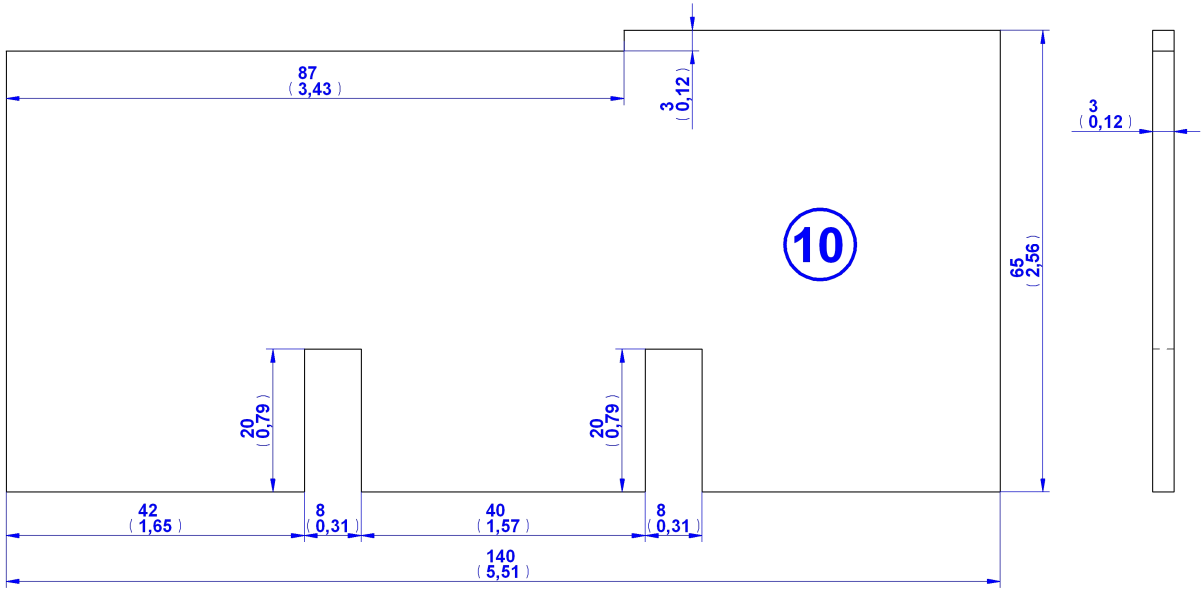


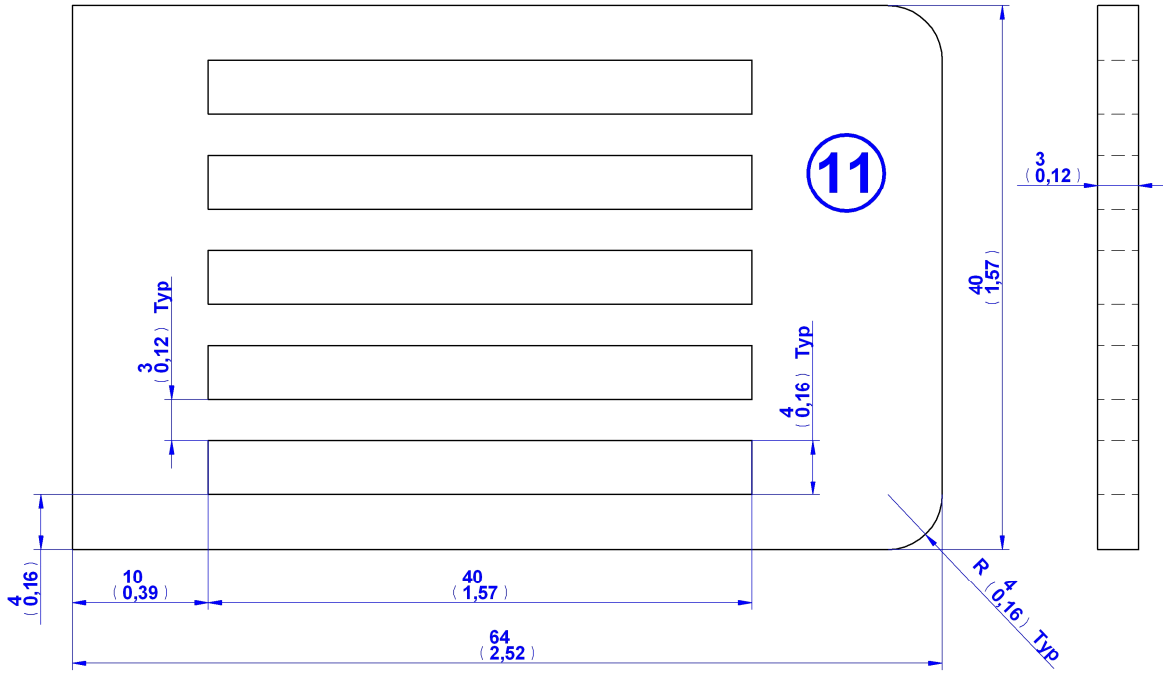




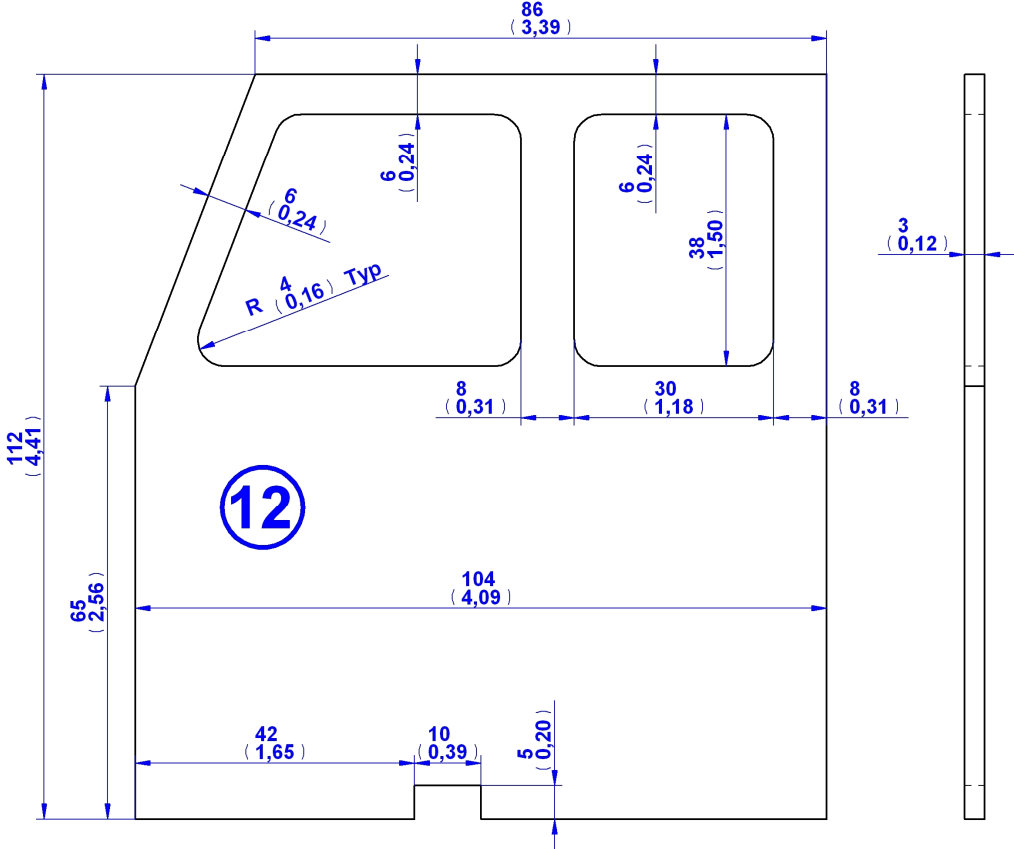
9

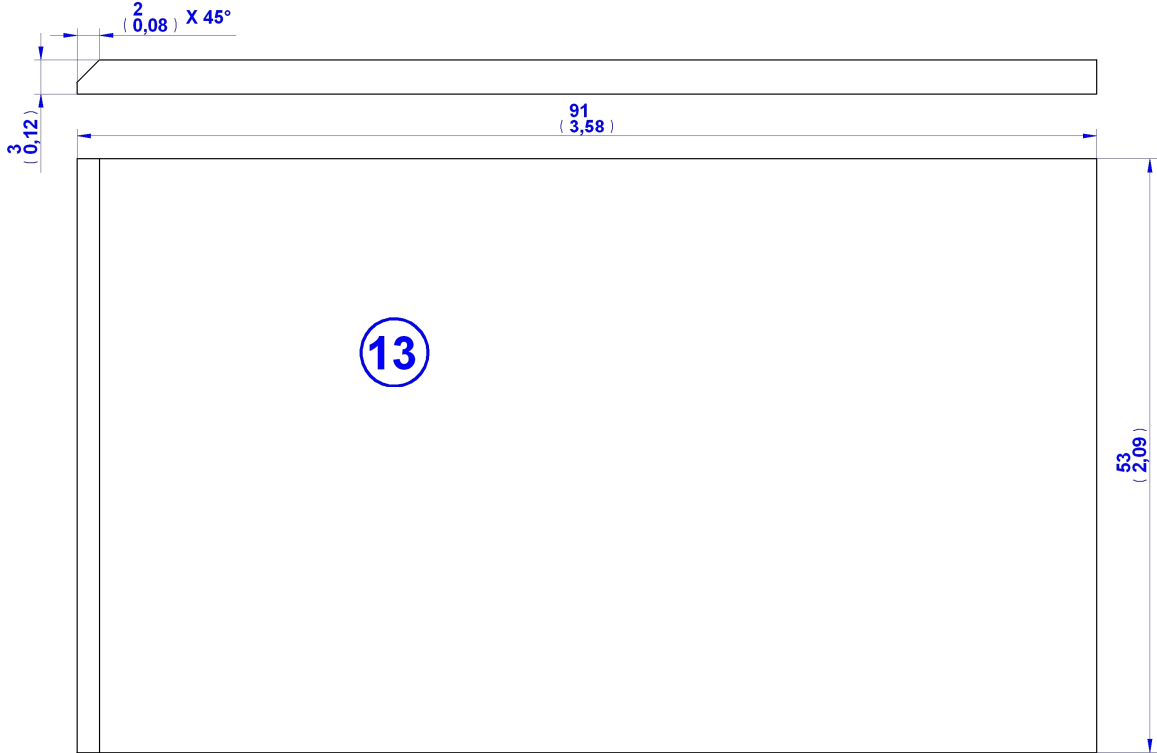
SECTION A-A

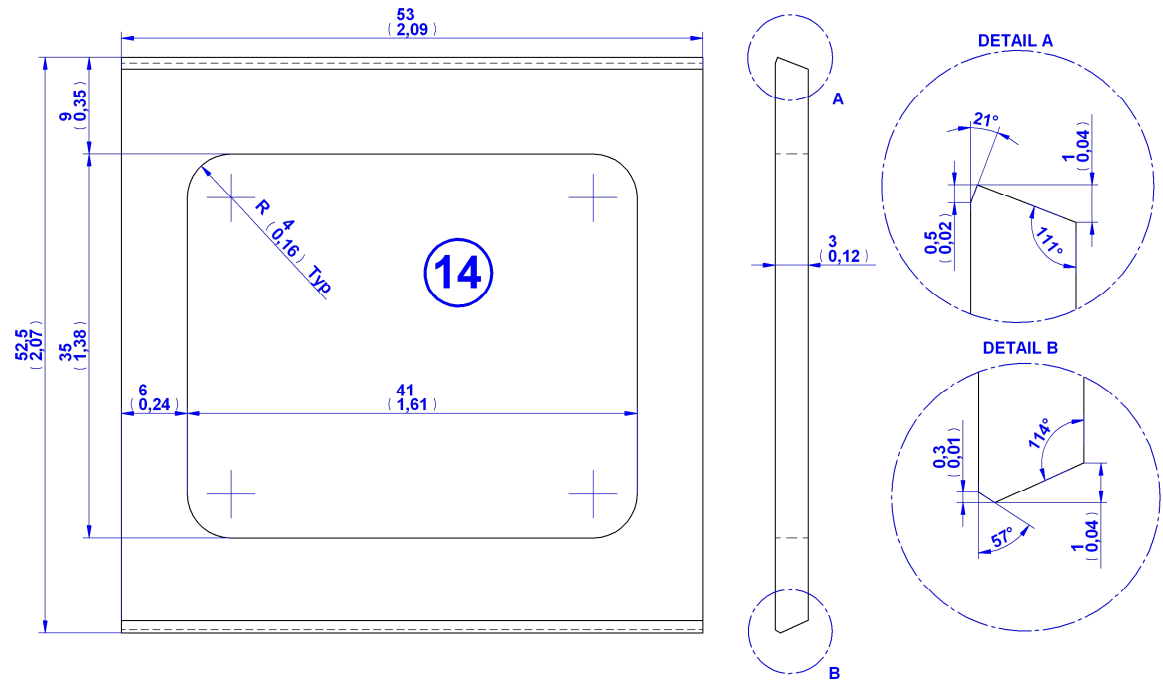


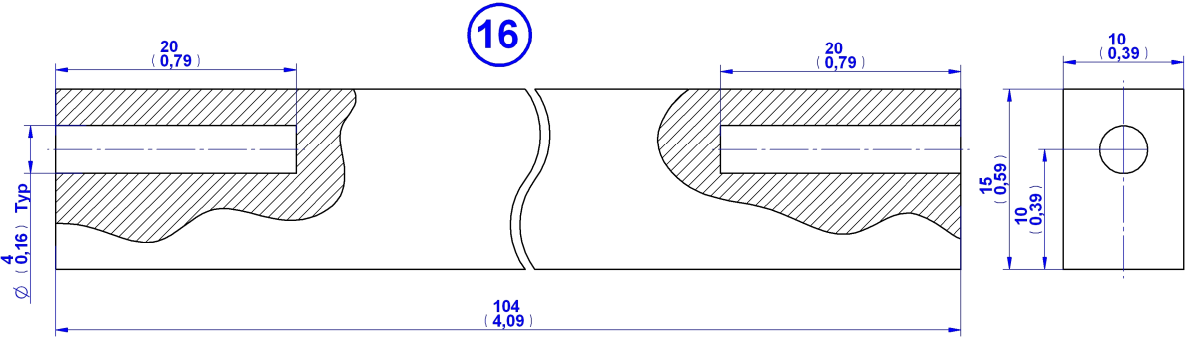
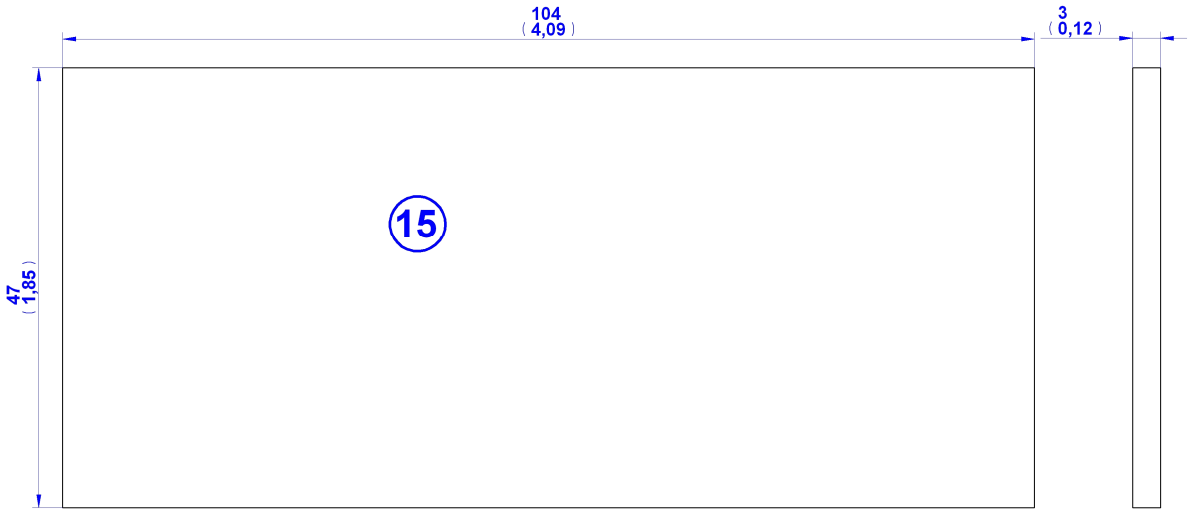


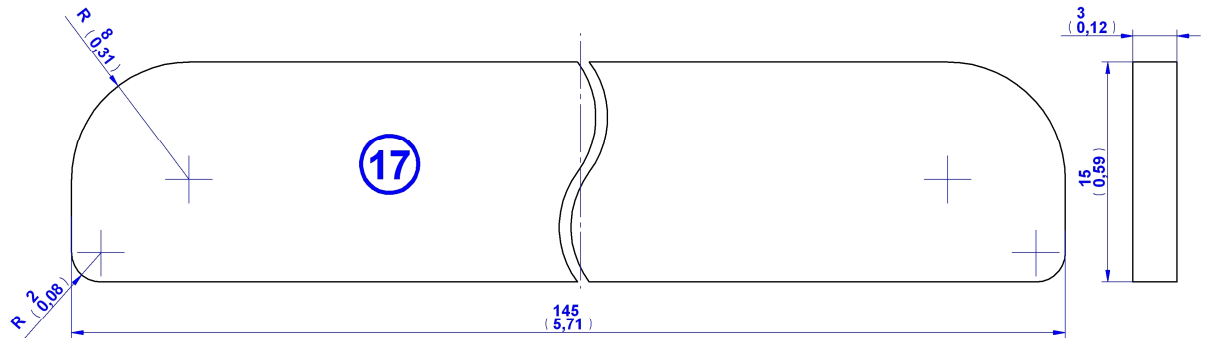


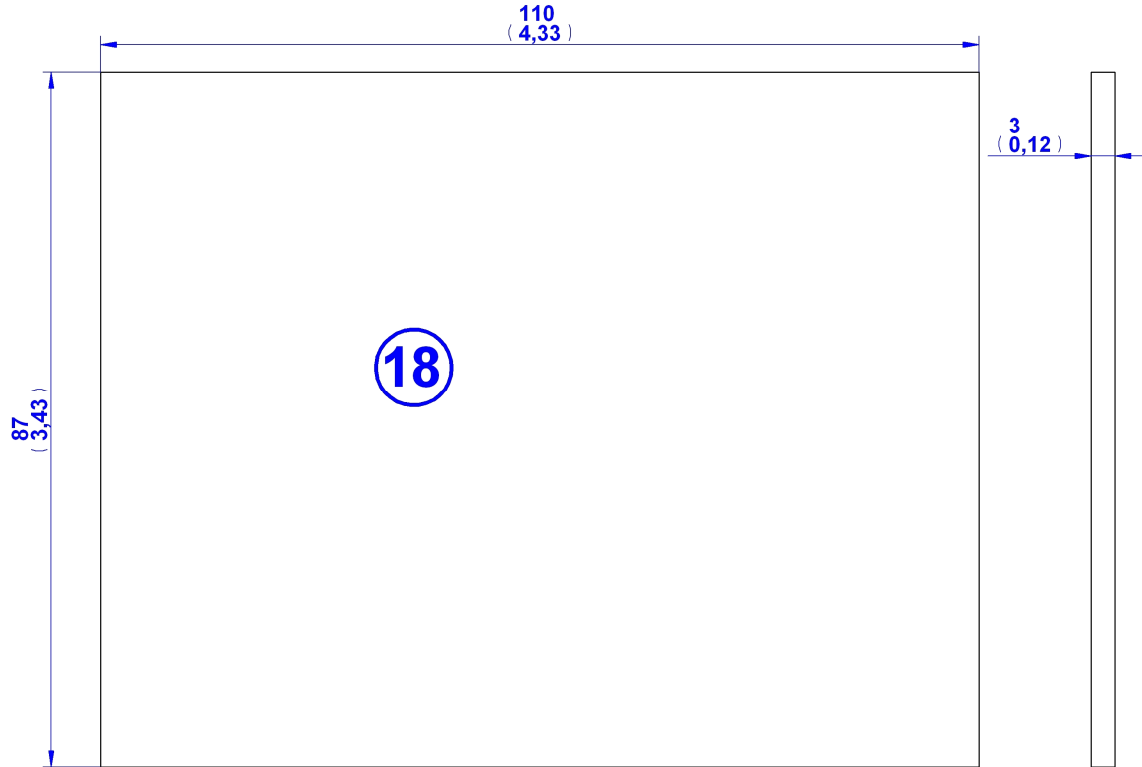


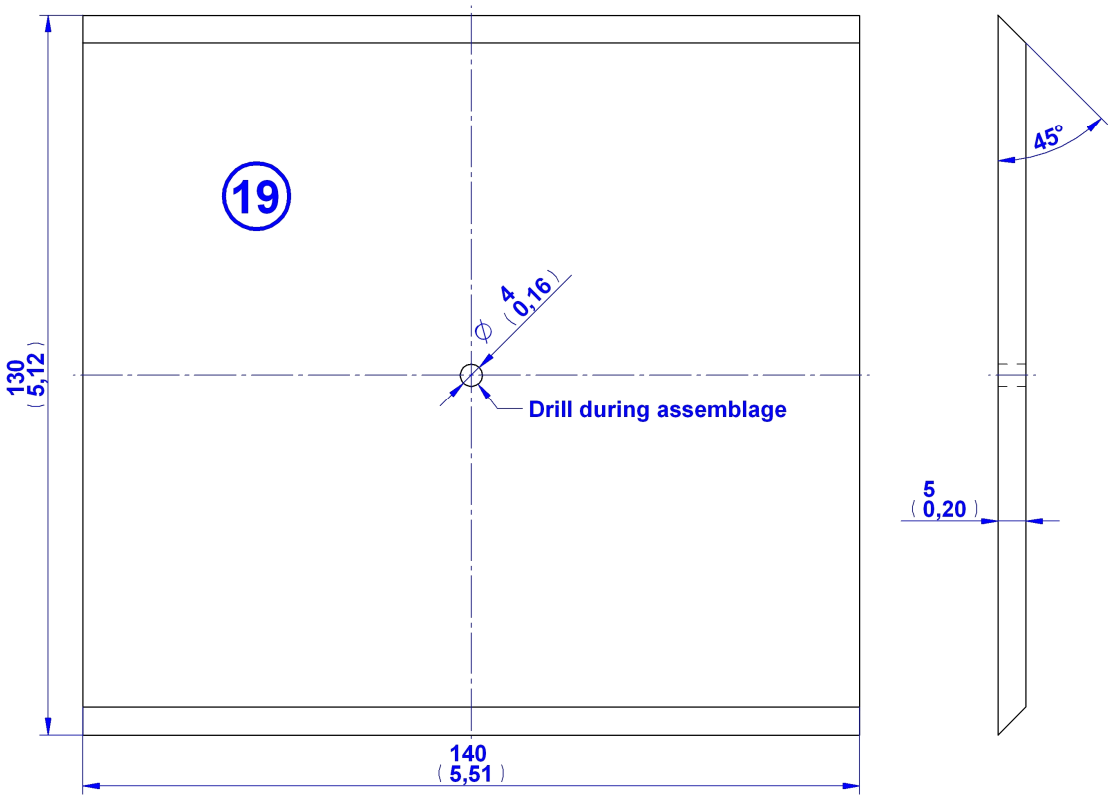


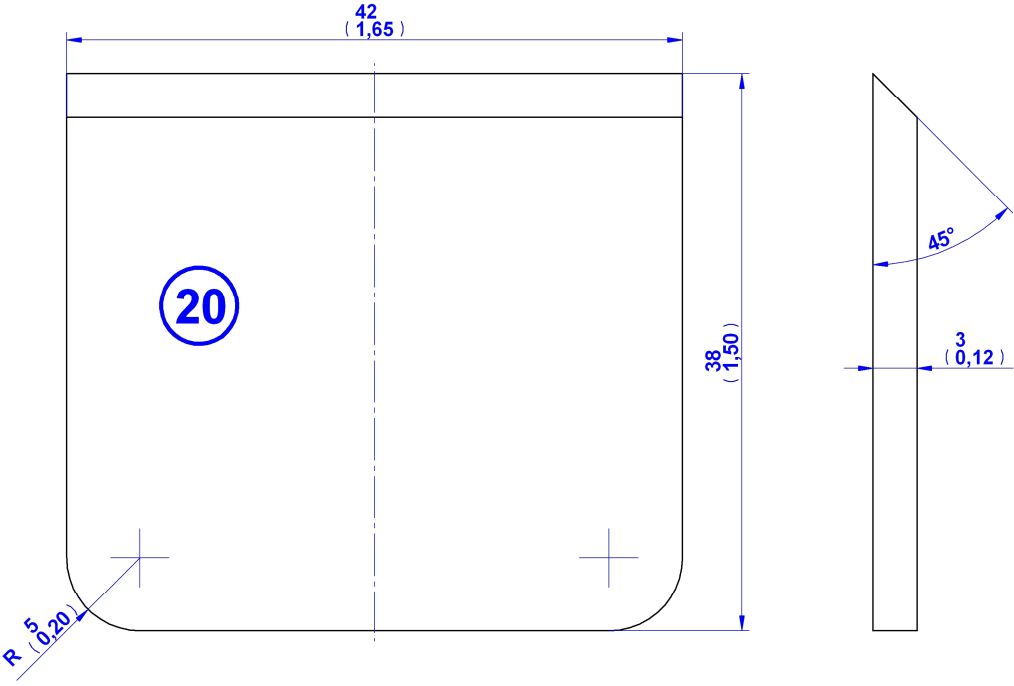




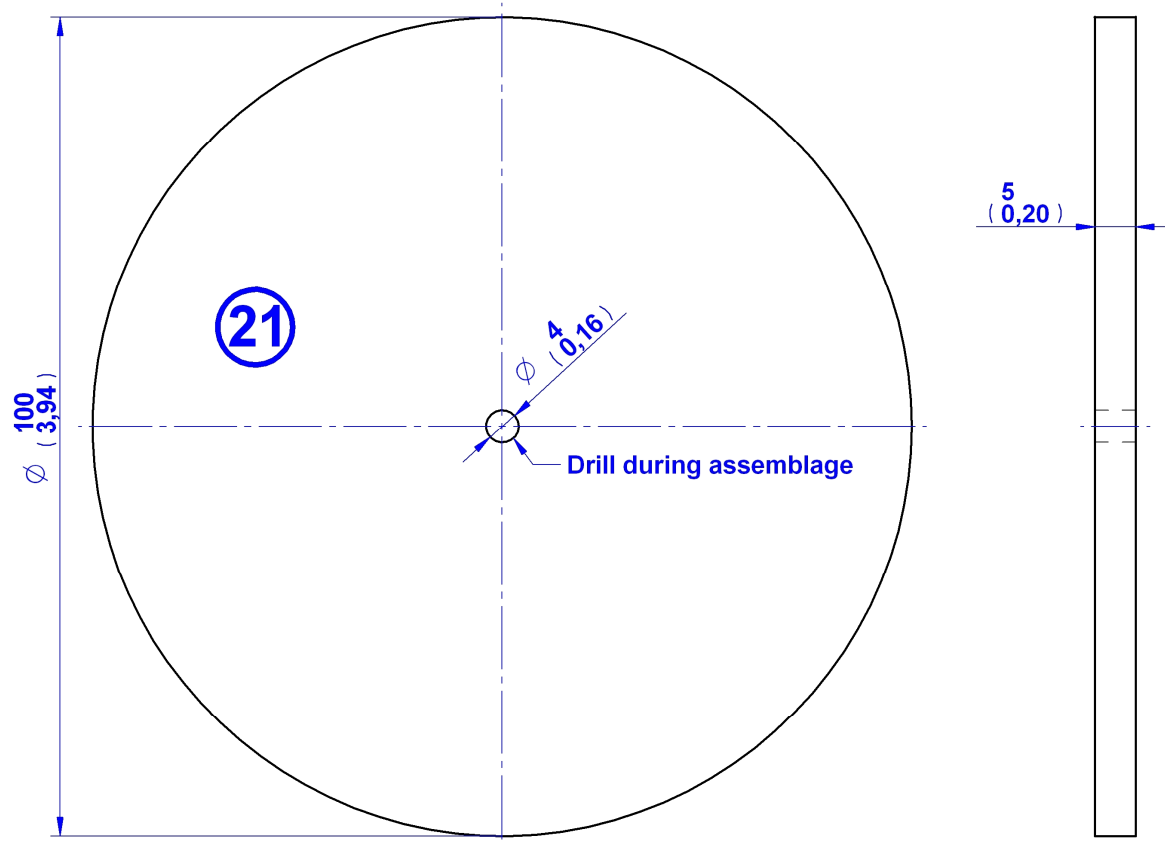


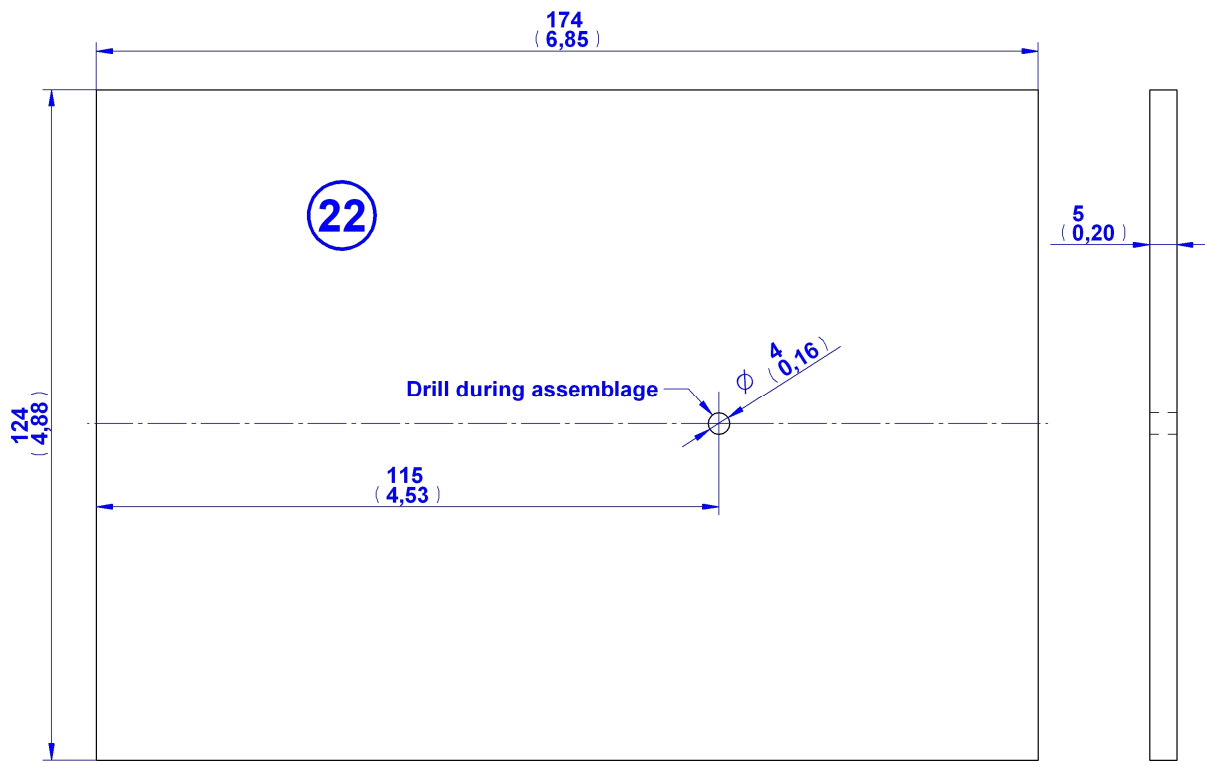


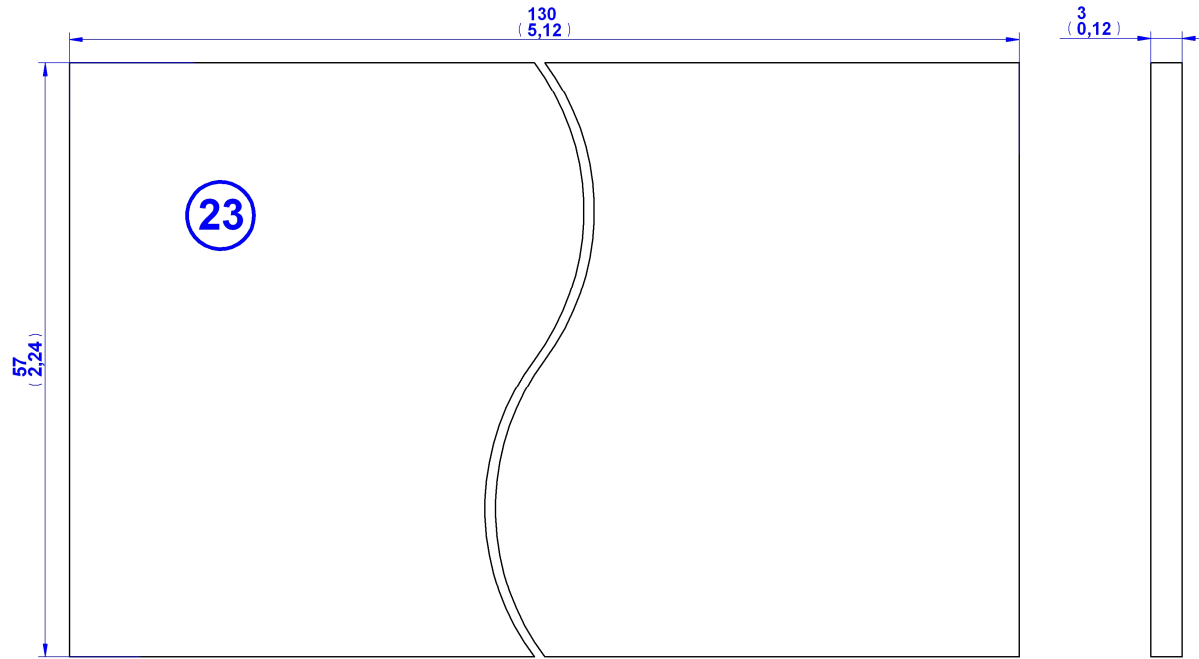


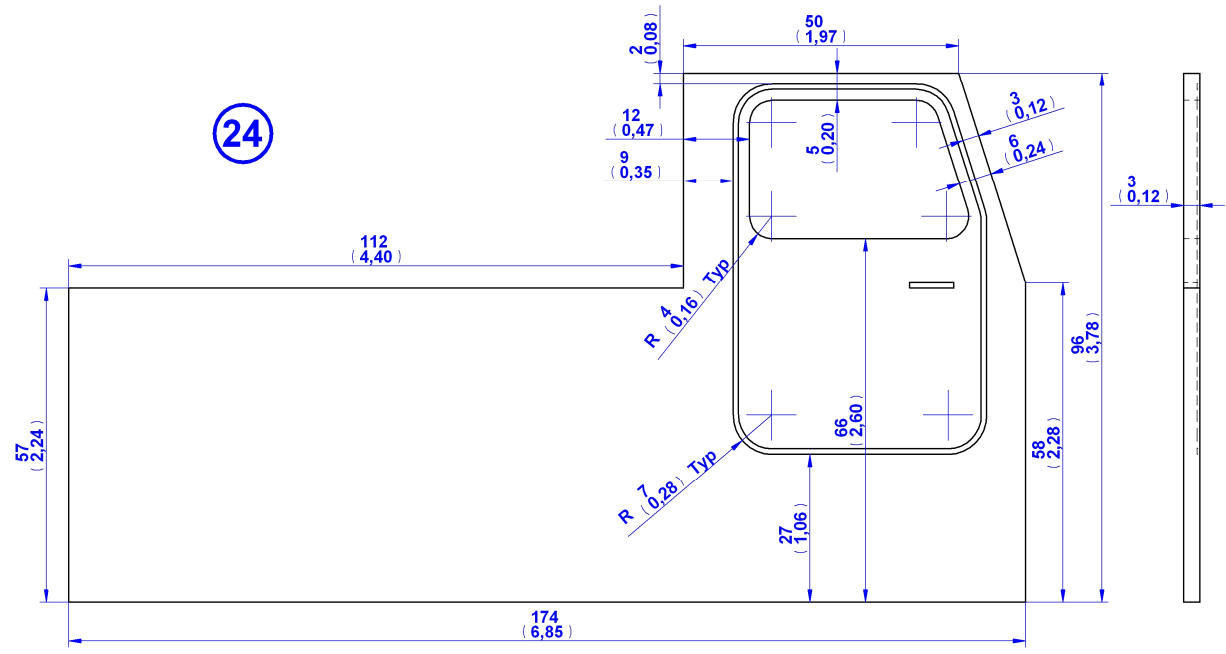


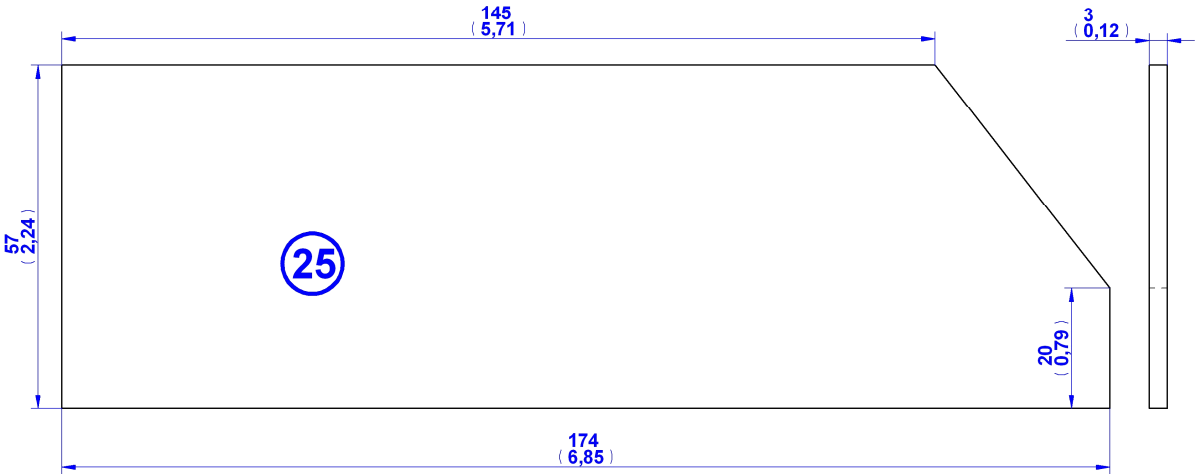


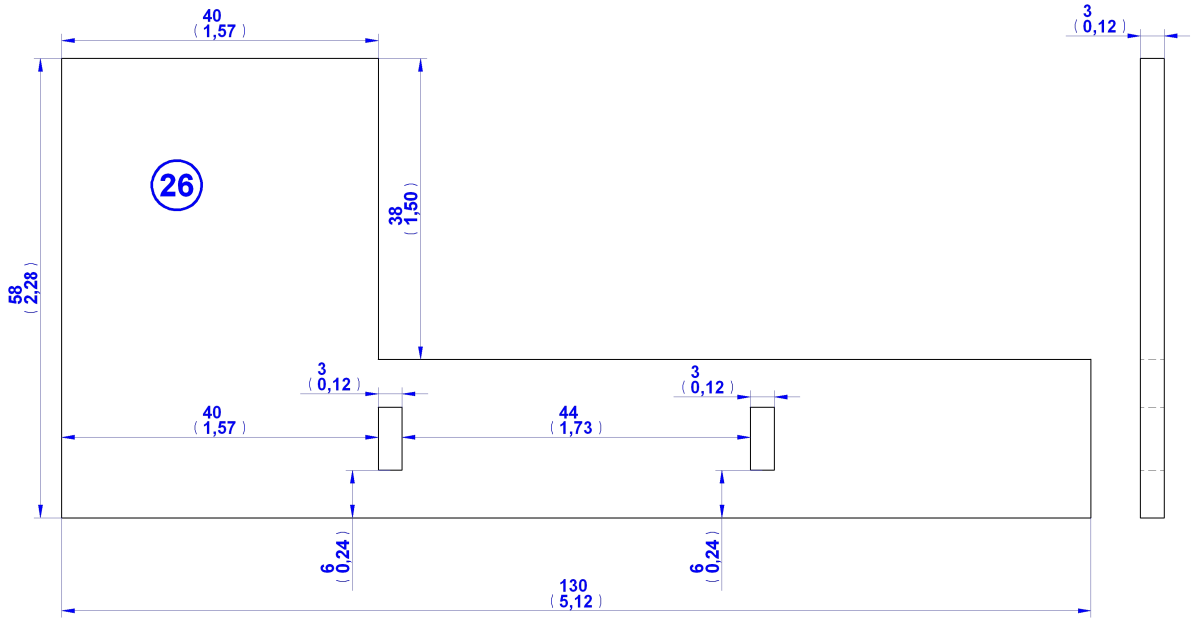


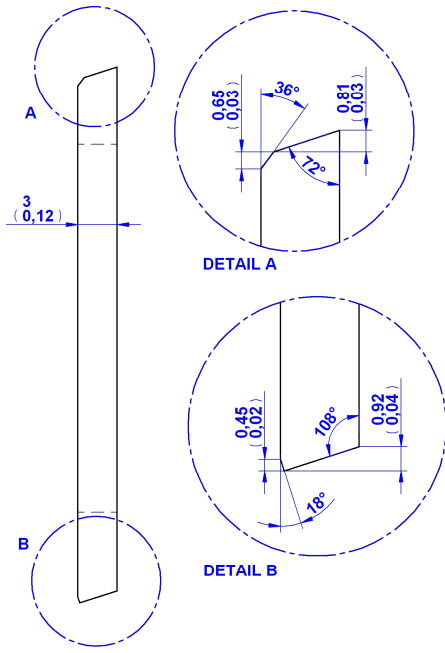
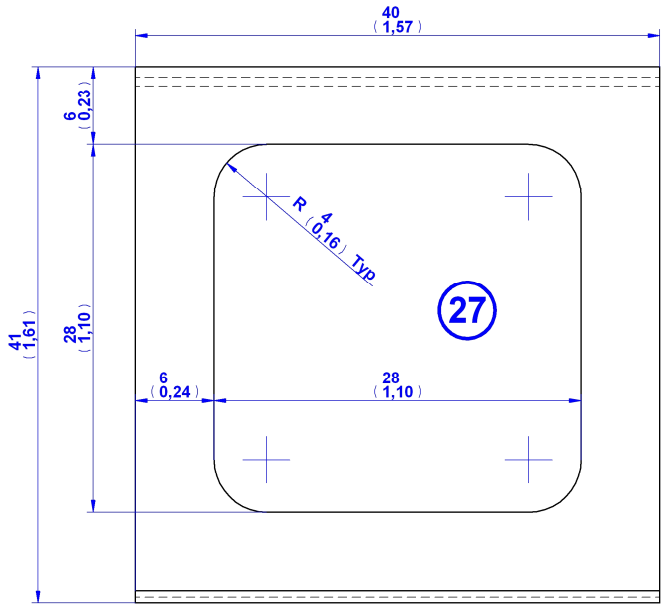


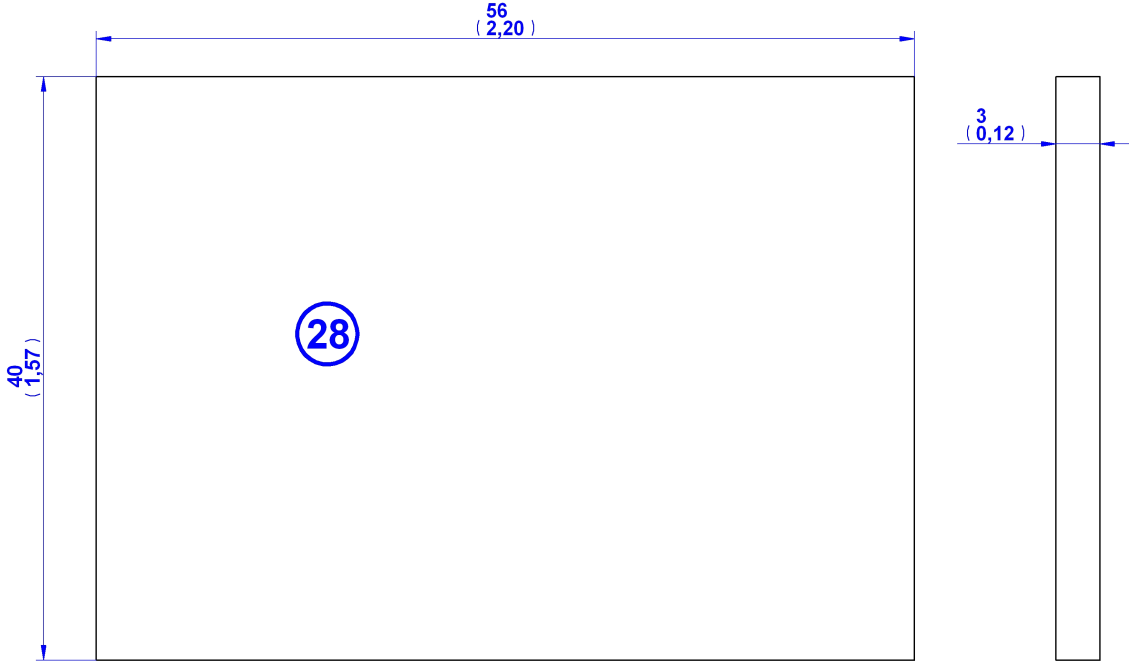




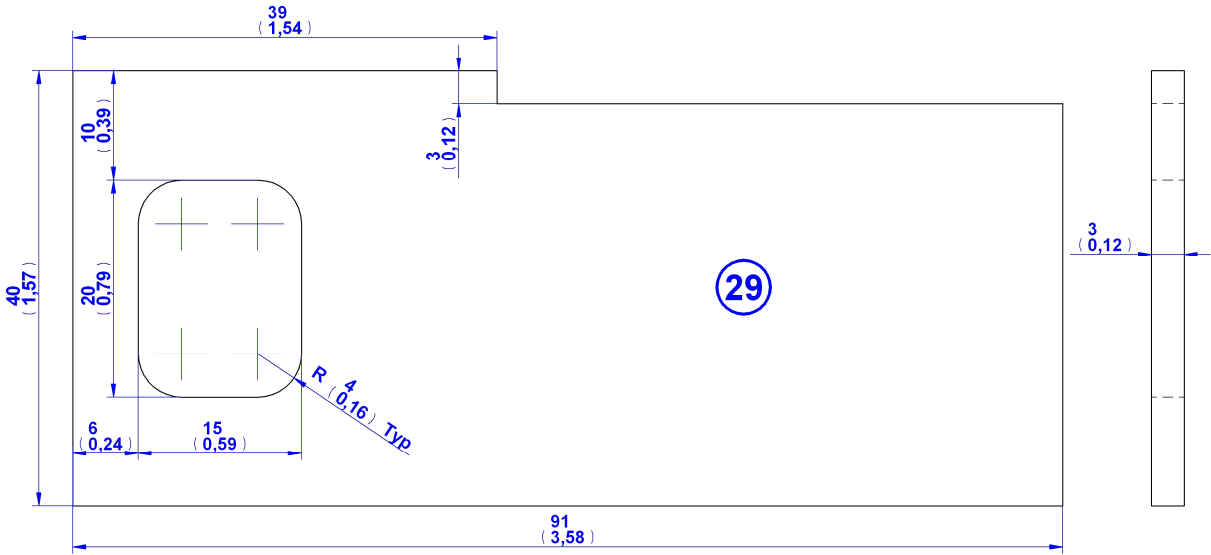


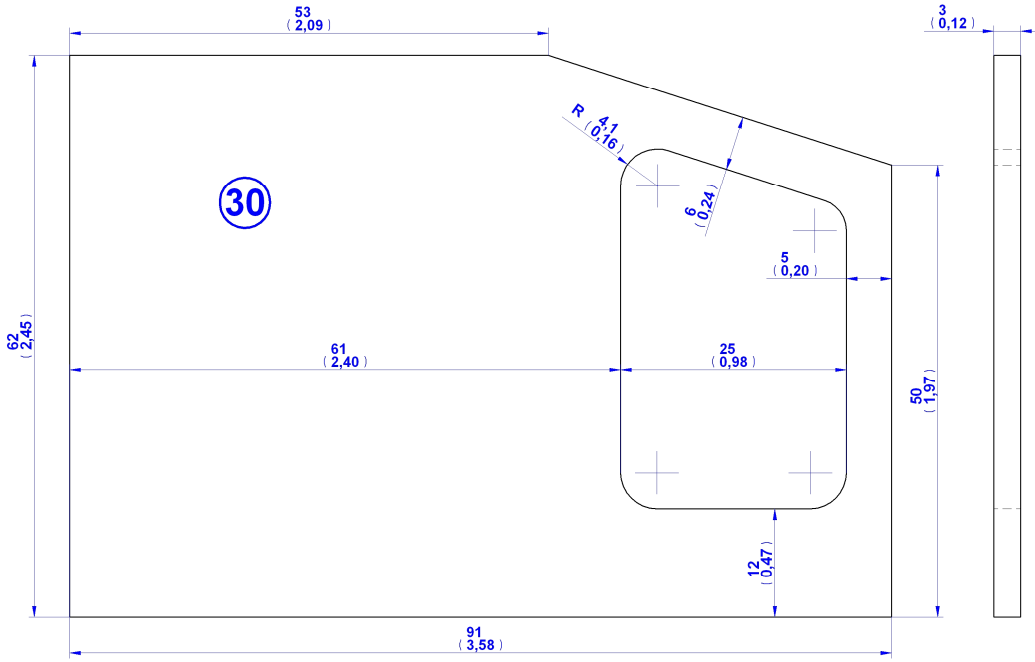


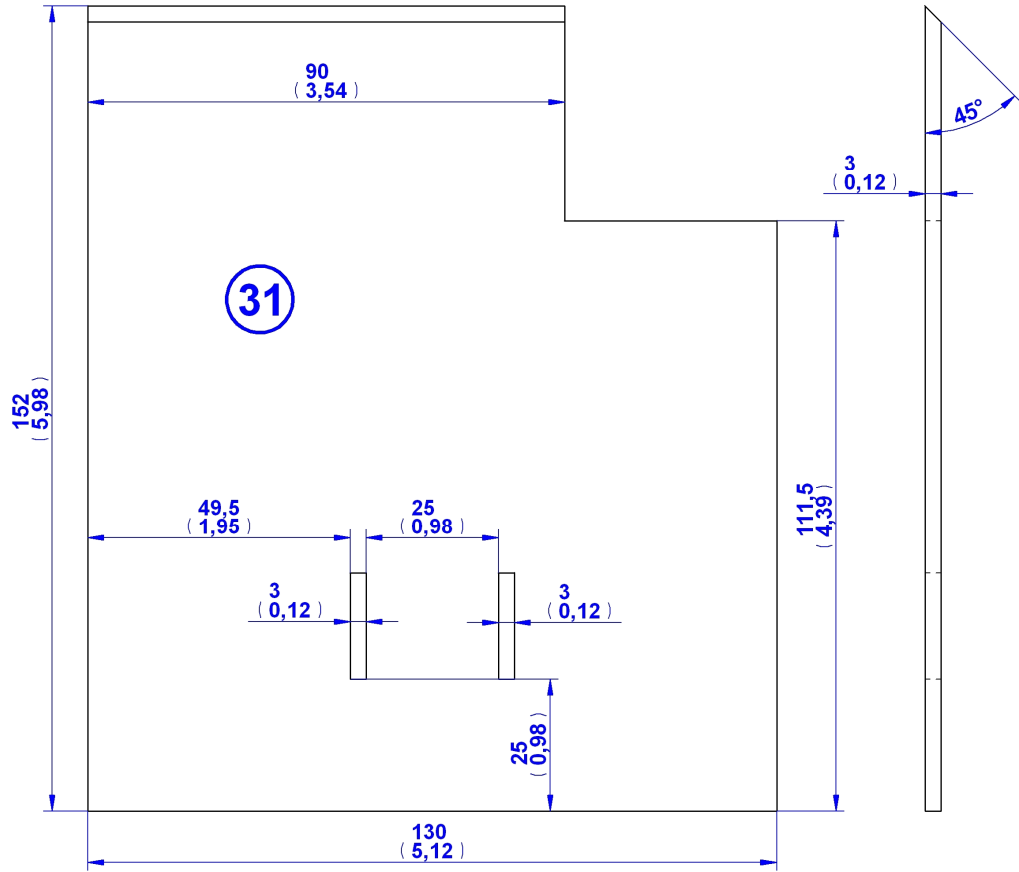


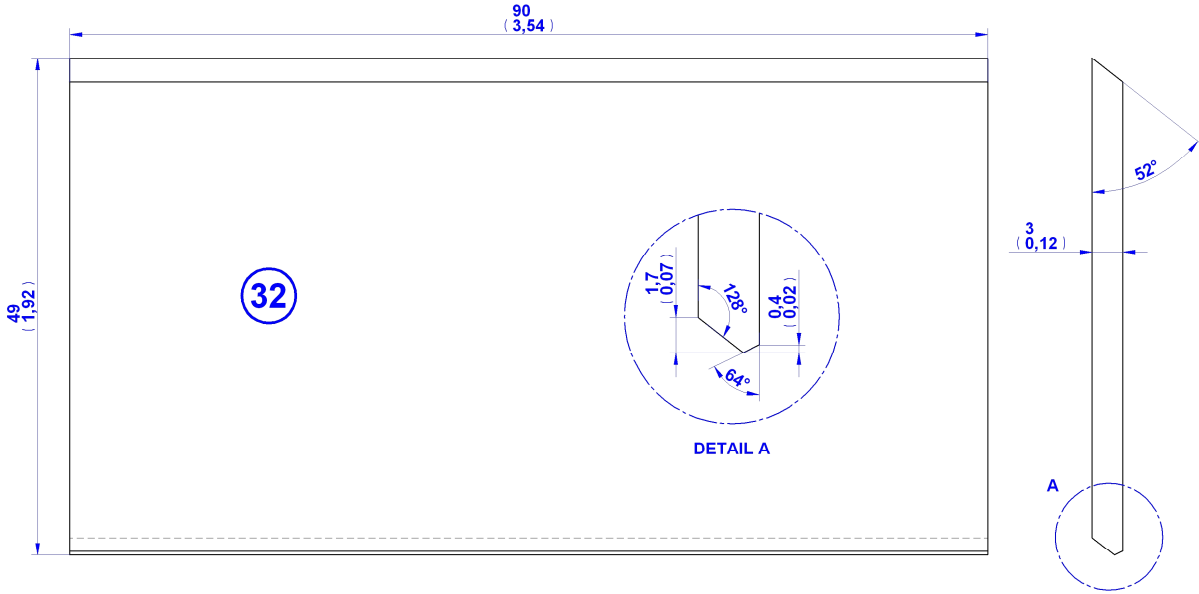


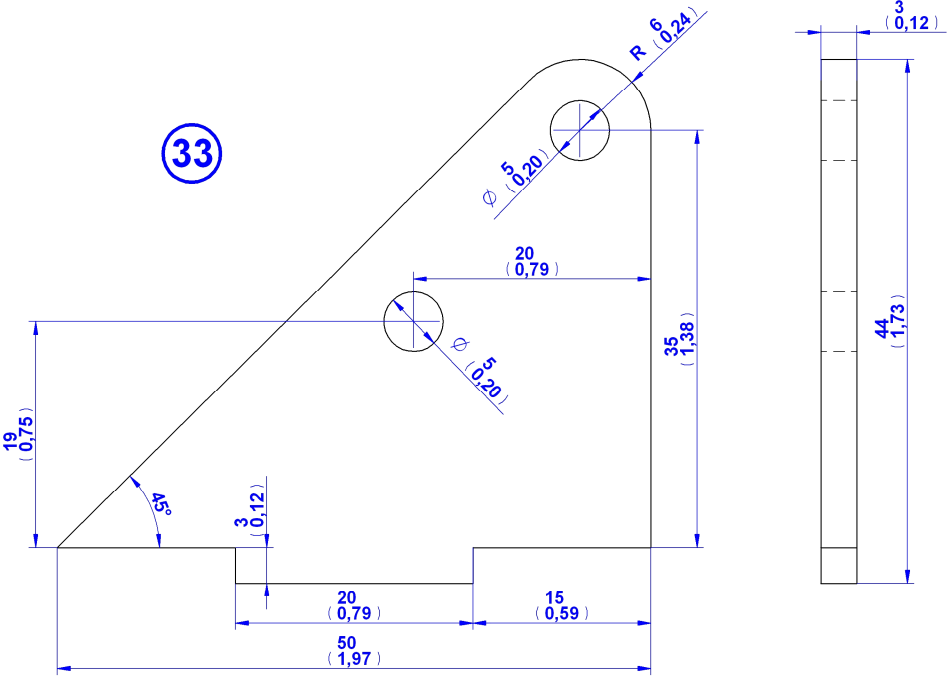


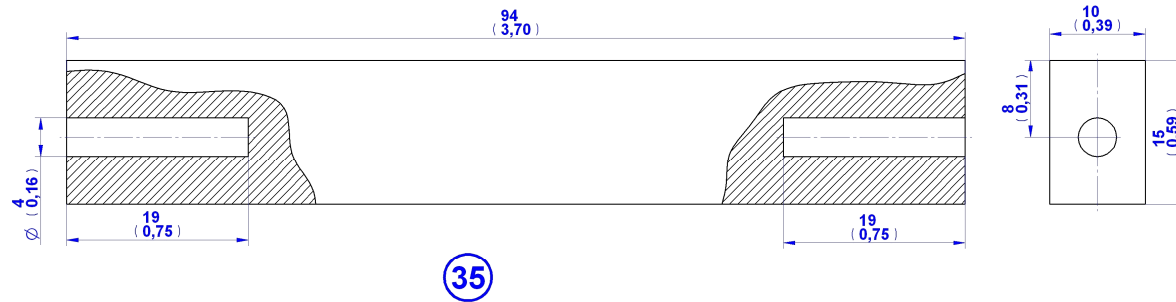
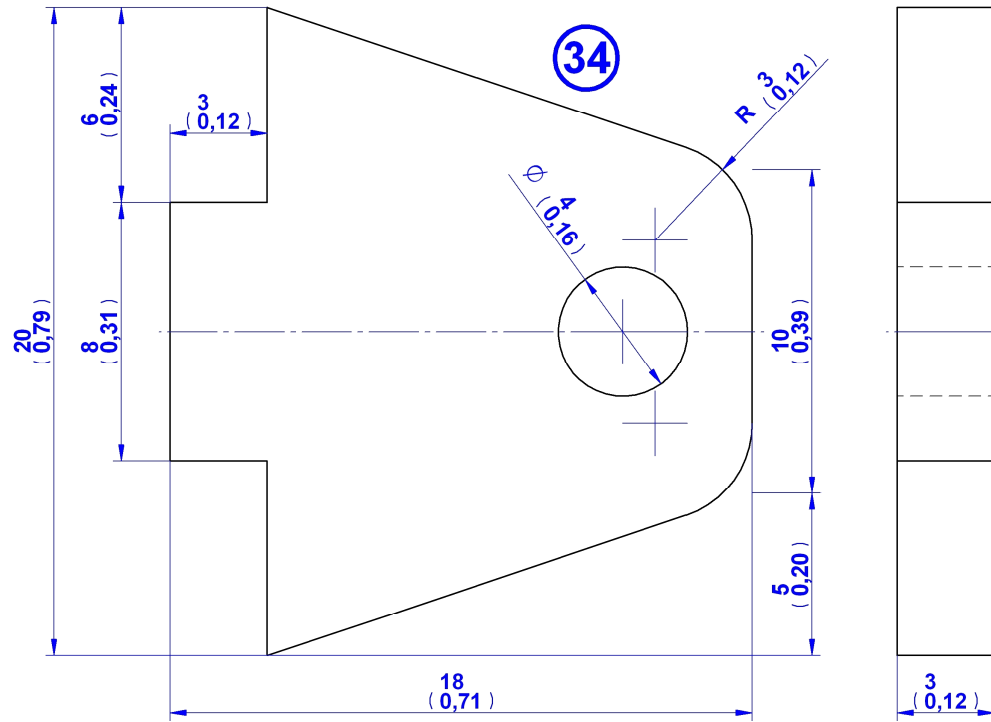


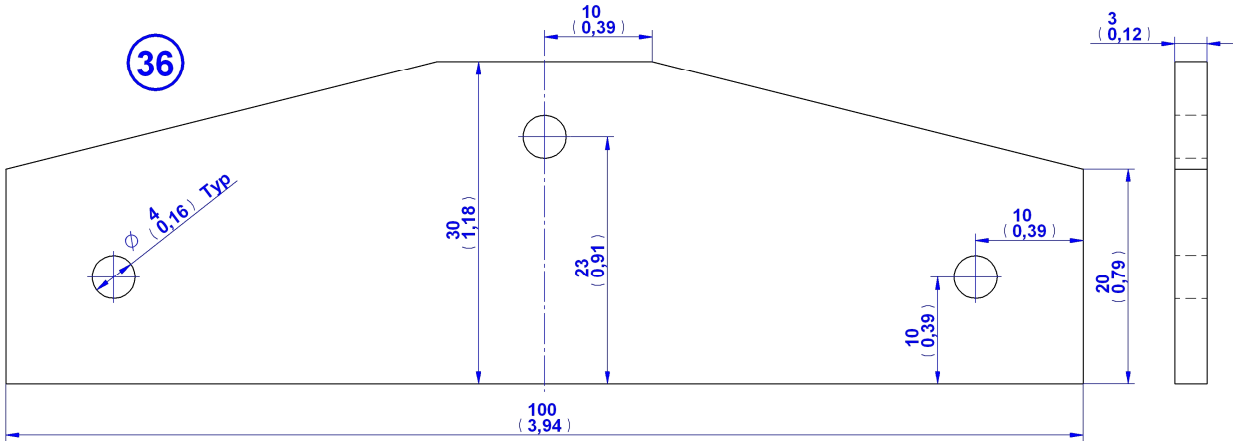


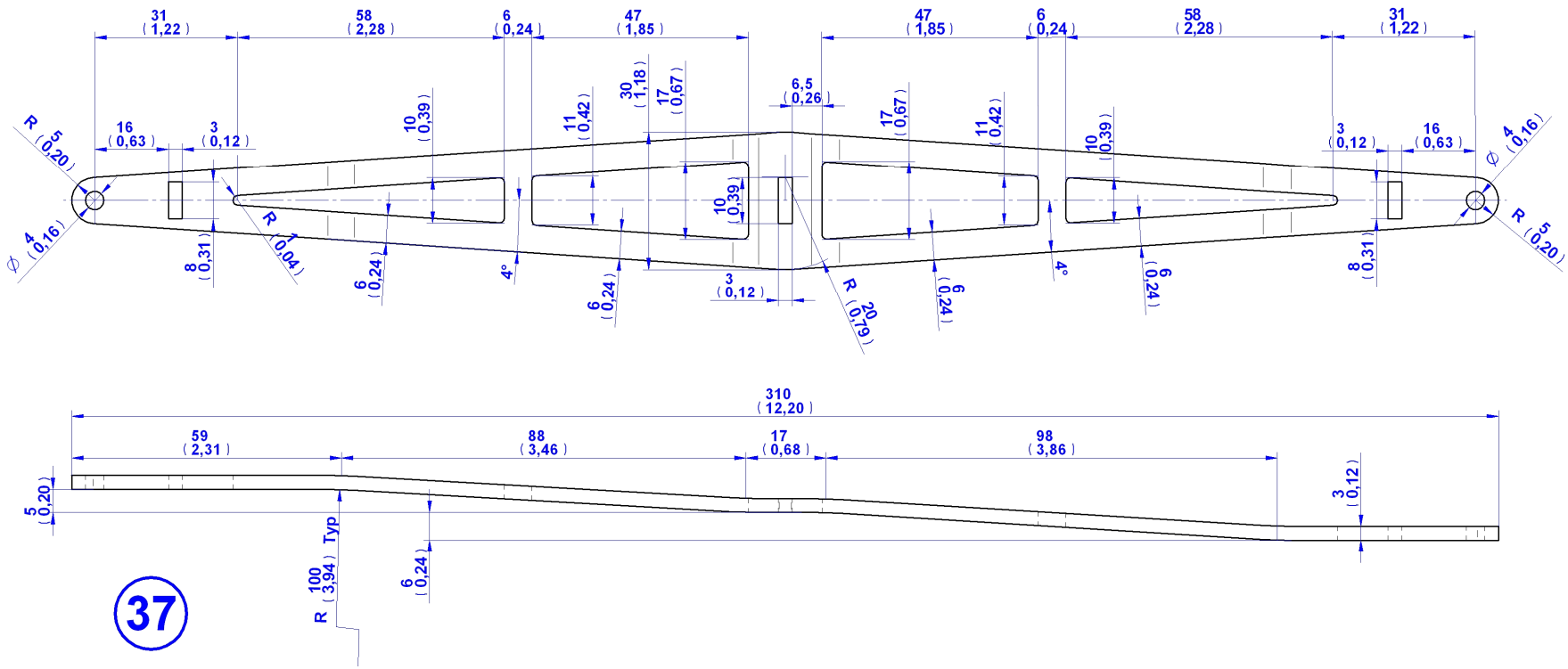




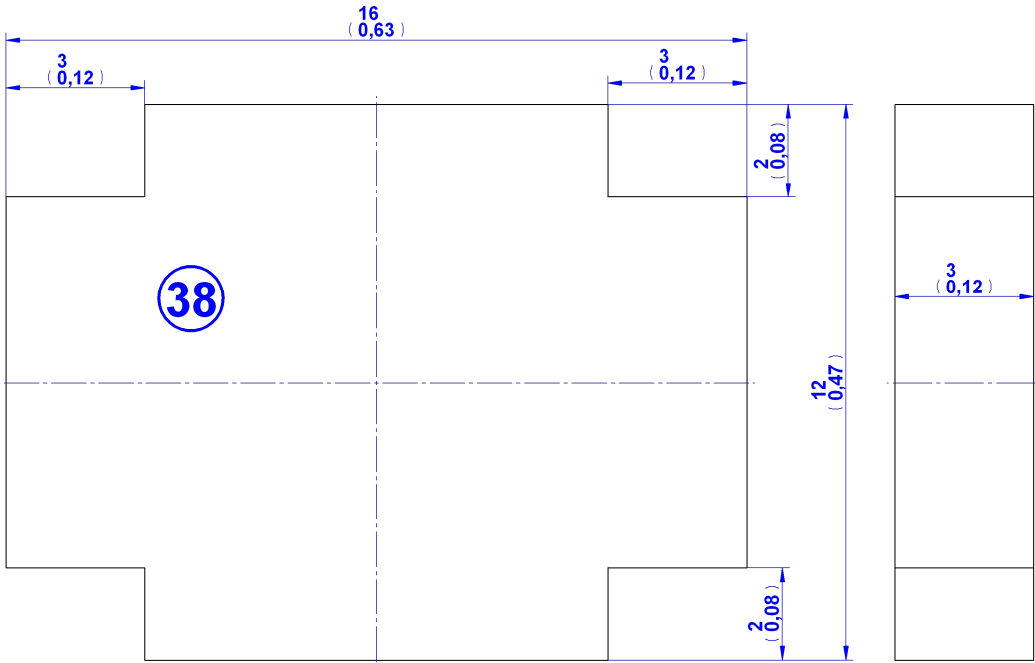


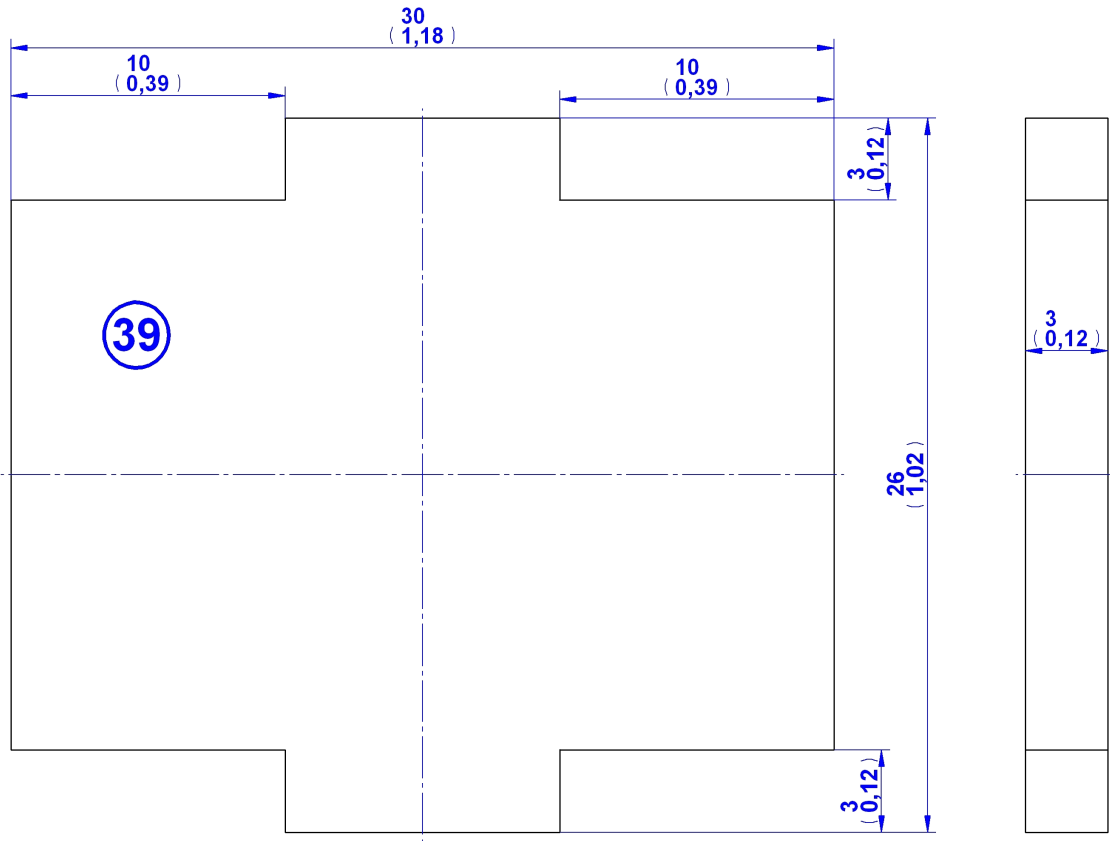


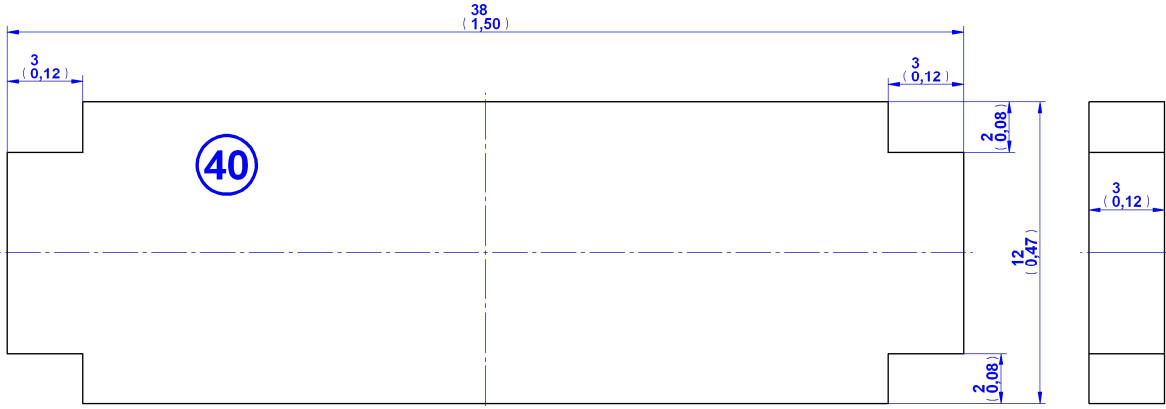


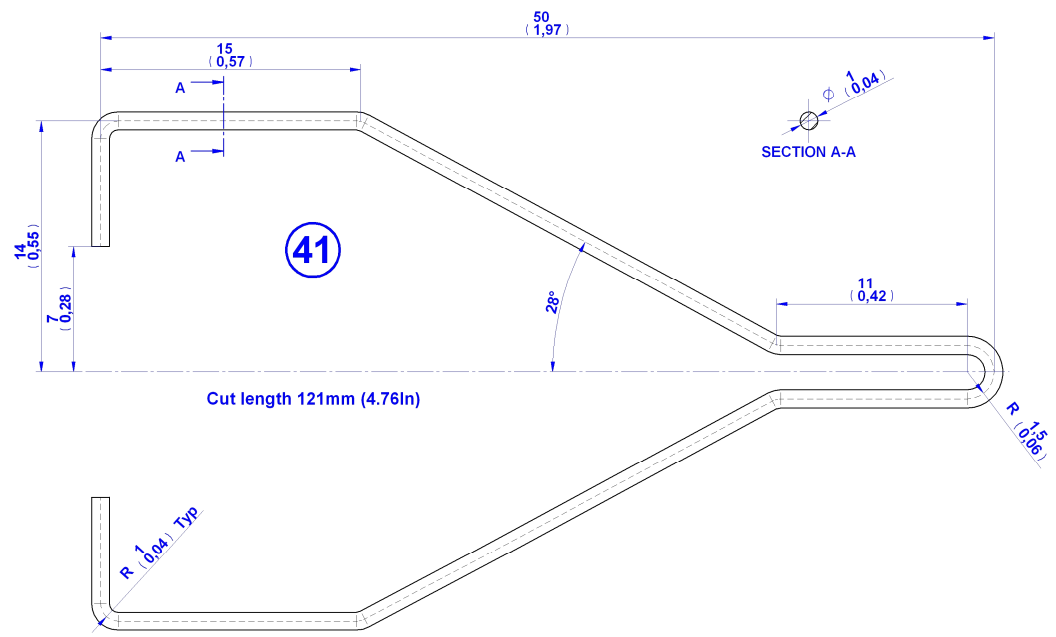


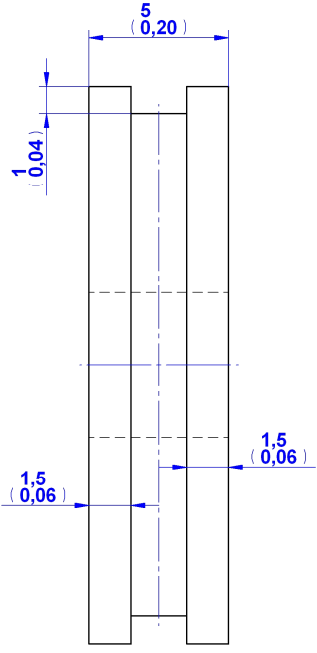
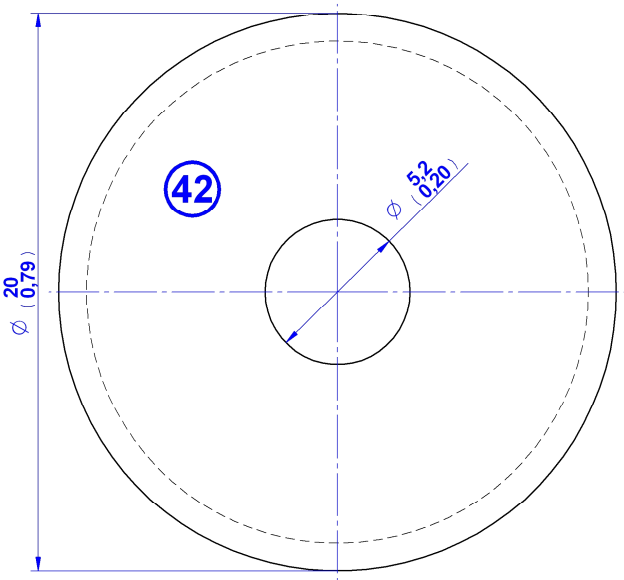


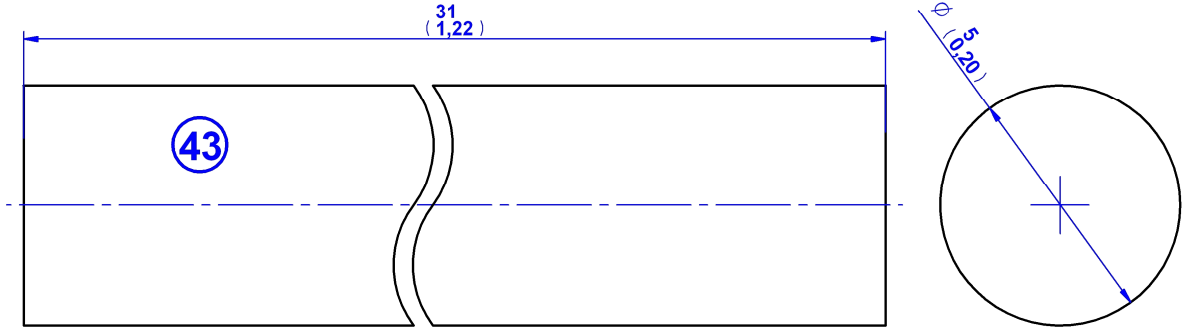


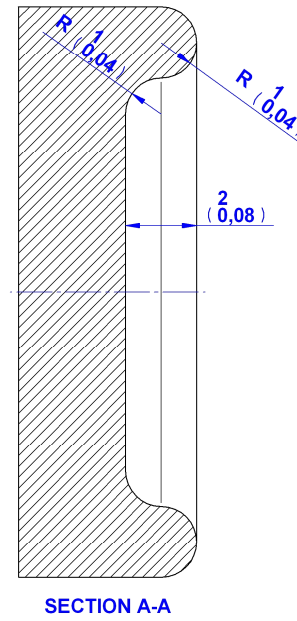
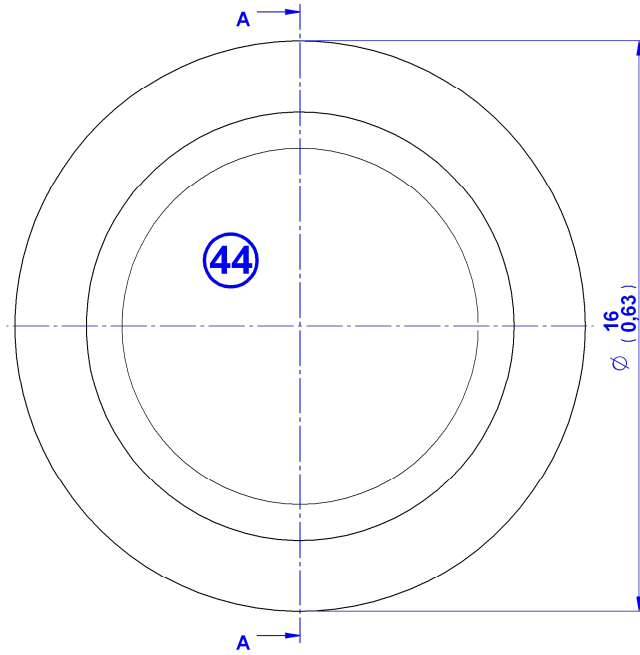


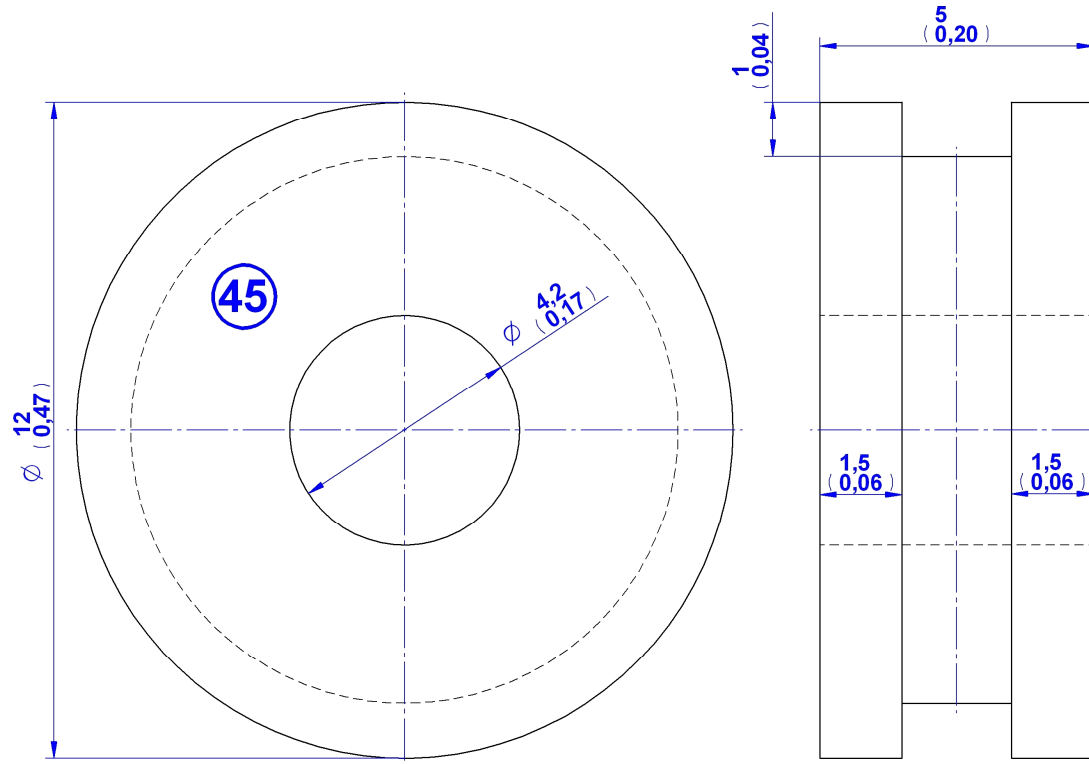




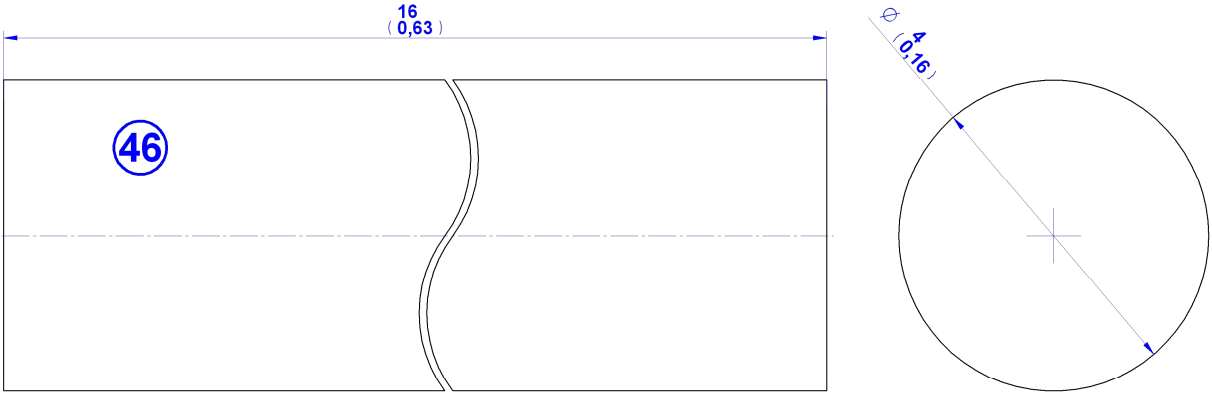


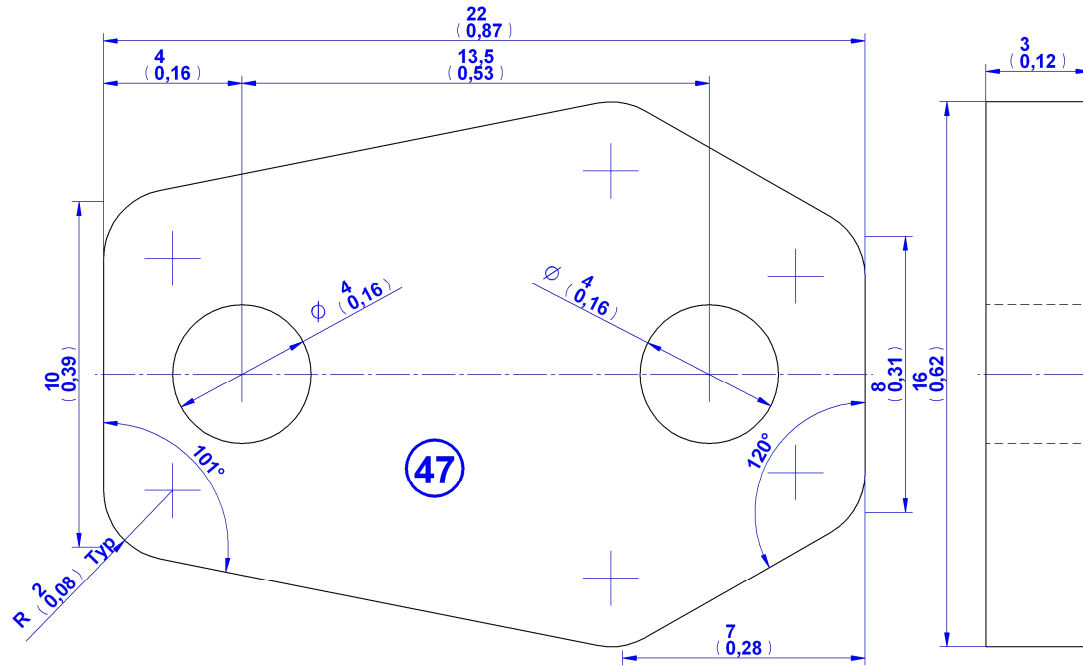


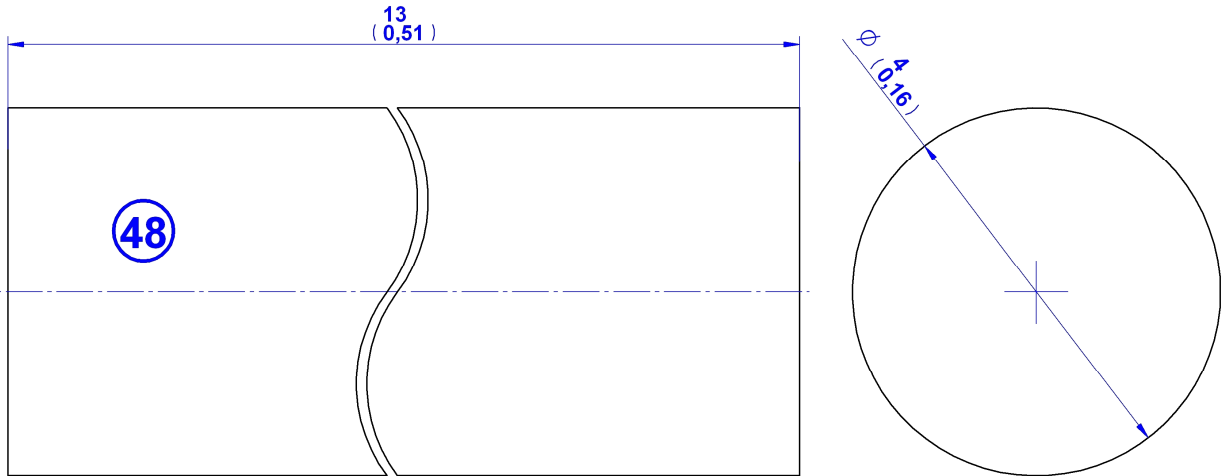


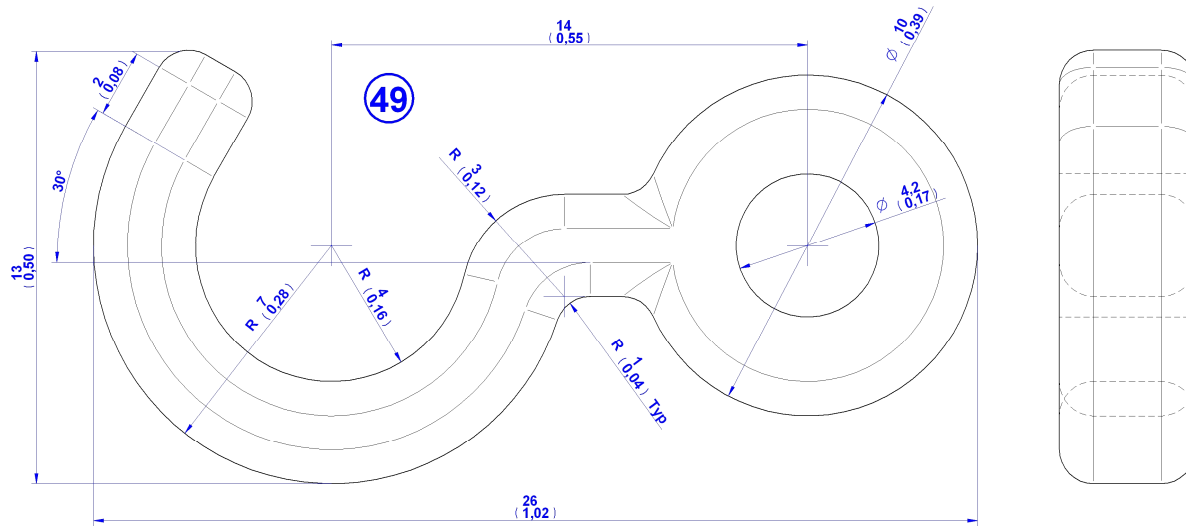


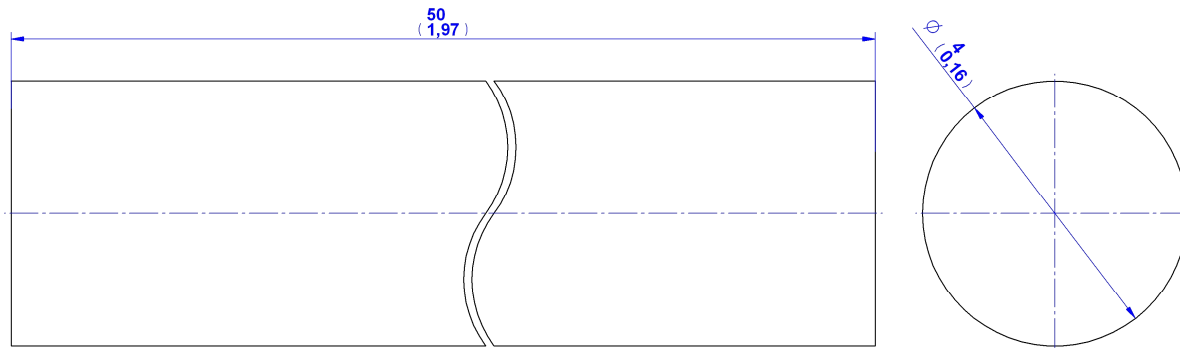




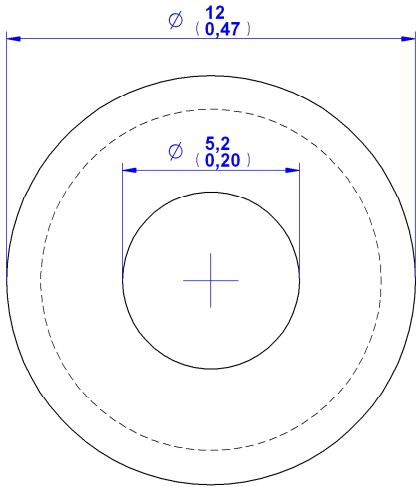
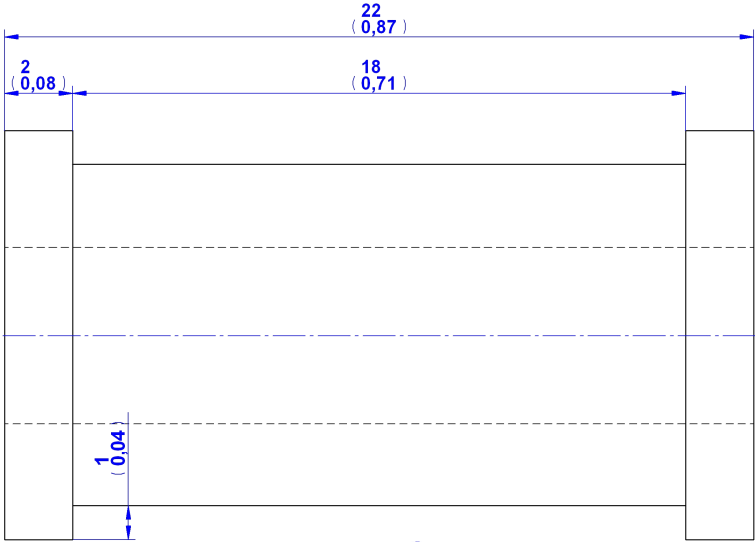




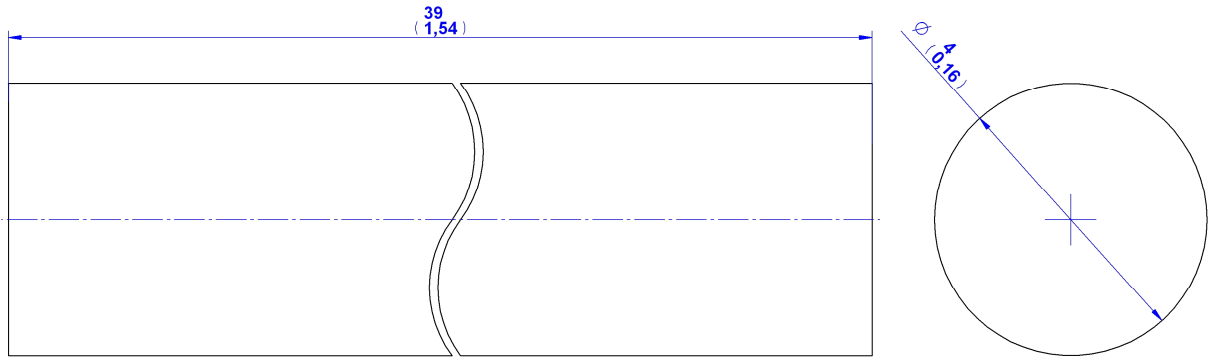




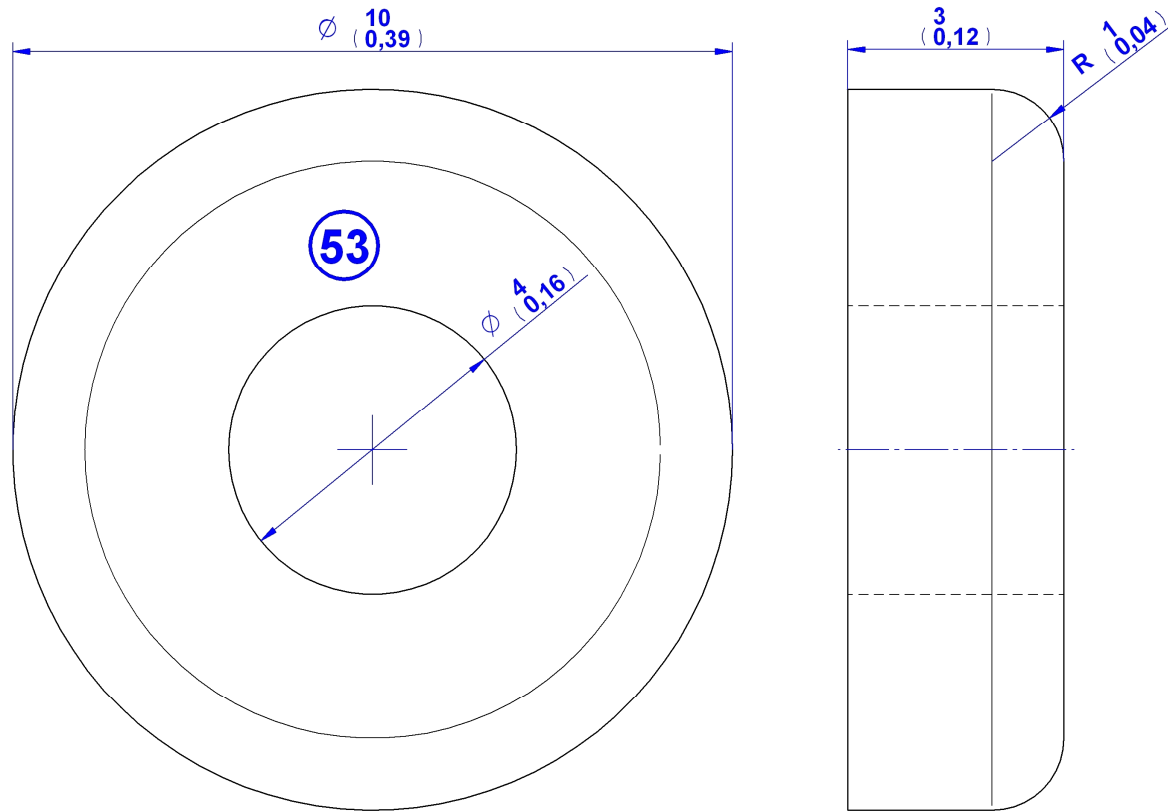
50



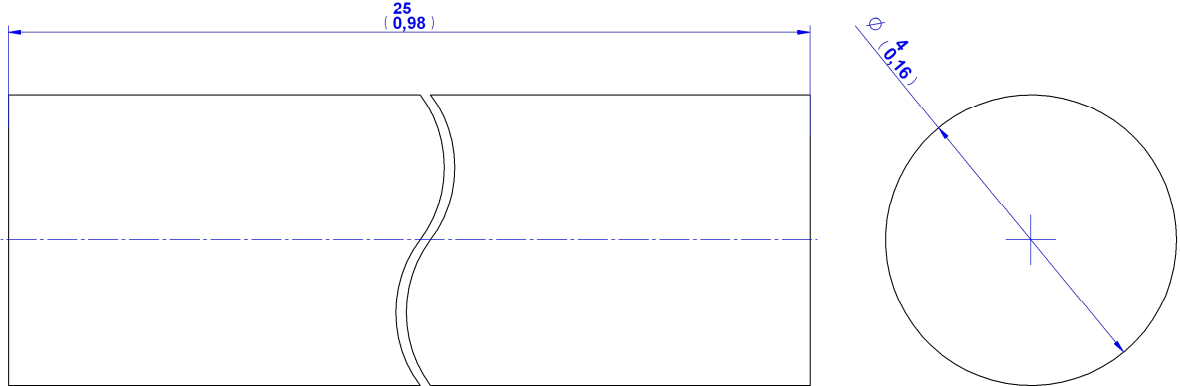
51



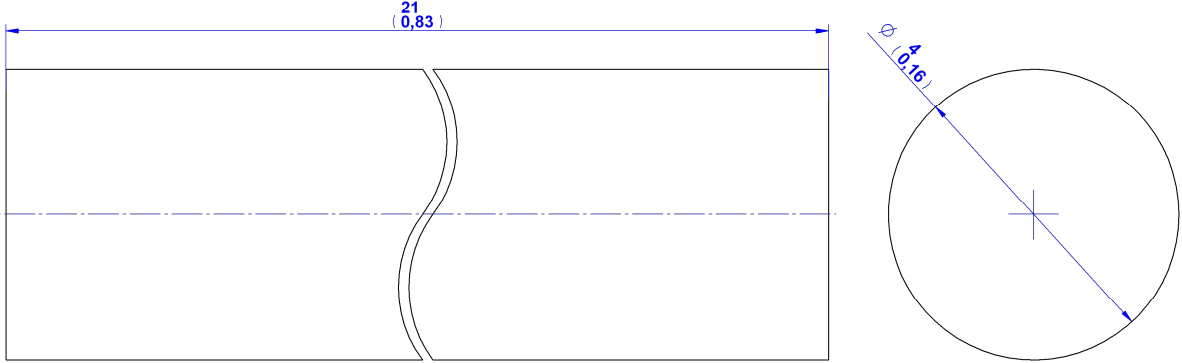
52







54



55

