

## Vintage toy plane plan



In this free woodworking plan there are drawings by which you can make Vintage toy plane.

The biplane toy measures approximately 253mm (9,96in) long, 240mm (9,45in) wide, and 145mm (5,71in) tall. As you can see, this toy airplane is designed to be of child-friendly size, and its dimensions can be slightly increased or decreased if you wish to do so. The toy is recommended for children aged 3 years and older.

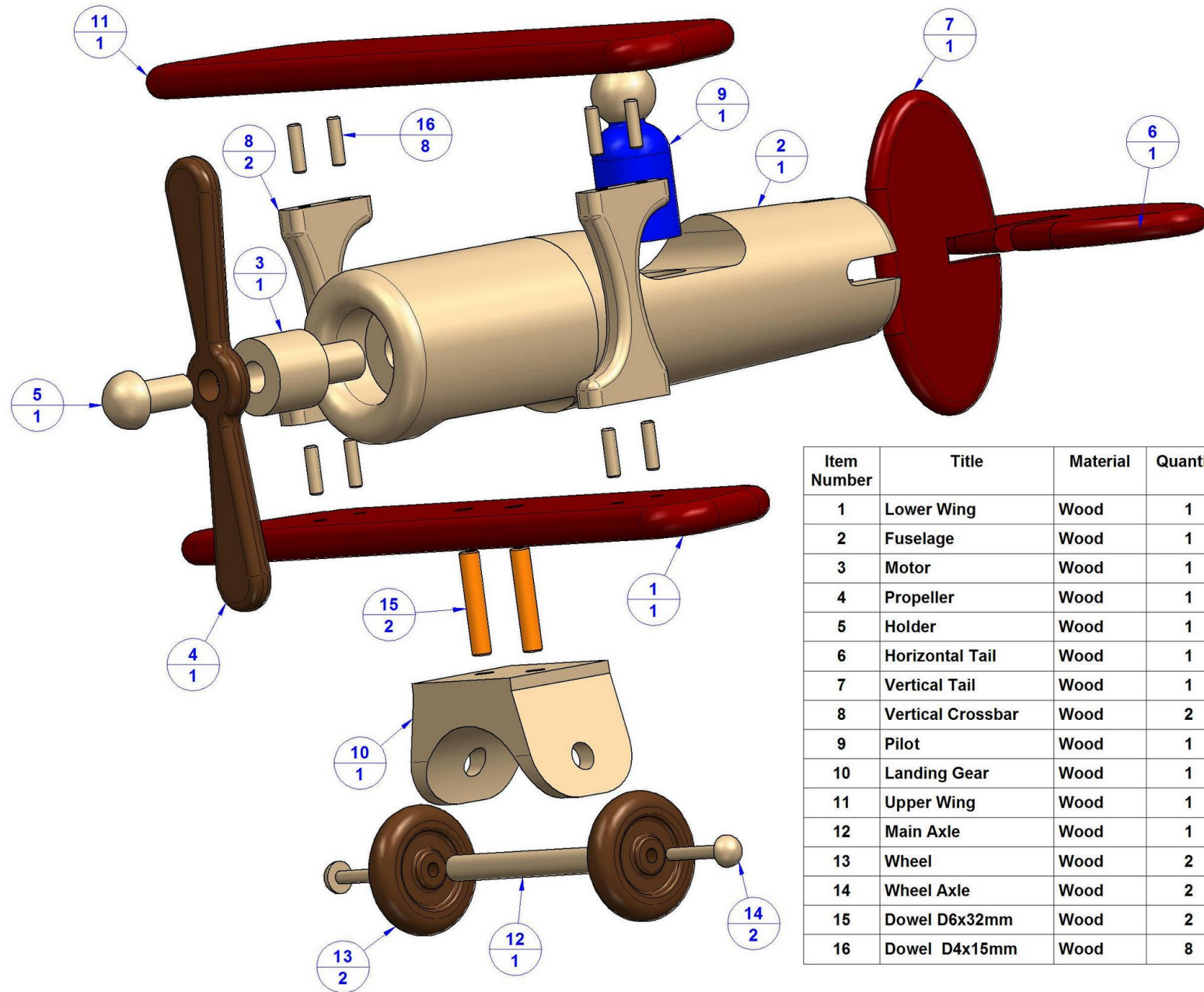
Special attention should be paid to sanding until smooth surface is achieved for all the parts in order to avoid the risk of injuries caused by splinters. After that you do not have to apply any finish at all. However, if you want to highlight the wood color, use some natural kid-safe finish, such as oil or beeswax. If you want some parts to be different in color, use wood of different colors and textures. This will be no problem because the needed parts are small enough to be made from a variety of waste found in any woodworking workshop.

If you make the toy airplane from some quality hardwood, it will surely last for a very long time and give generations of children lots of wonderful, playful moments. When the children outgrow playing with it, it can serve as a nice decoration on the shelf in their room.

All parts are interconnected by gluing together or using dowels. The construction is designed in such a way that the wheels and the propeller can be moved or rotated.

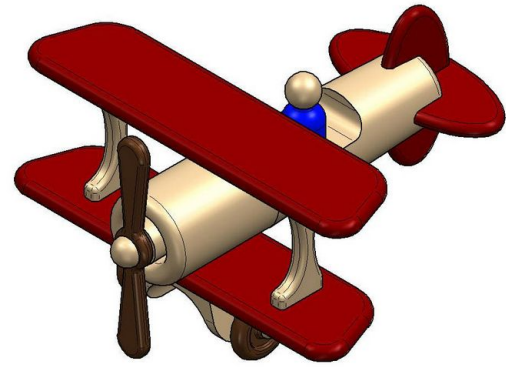
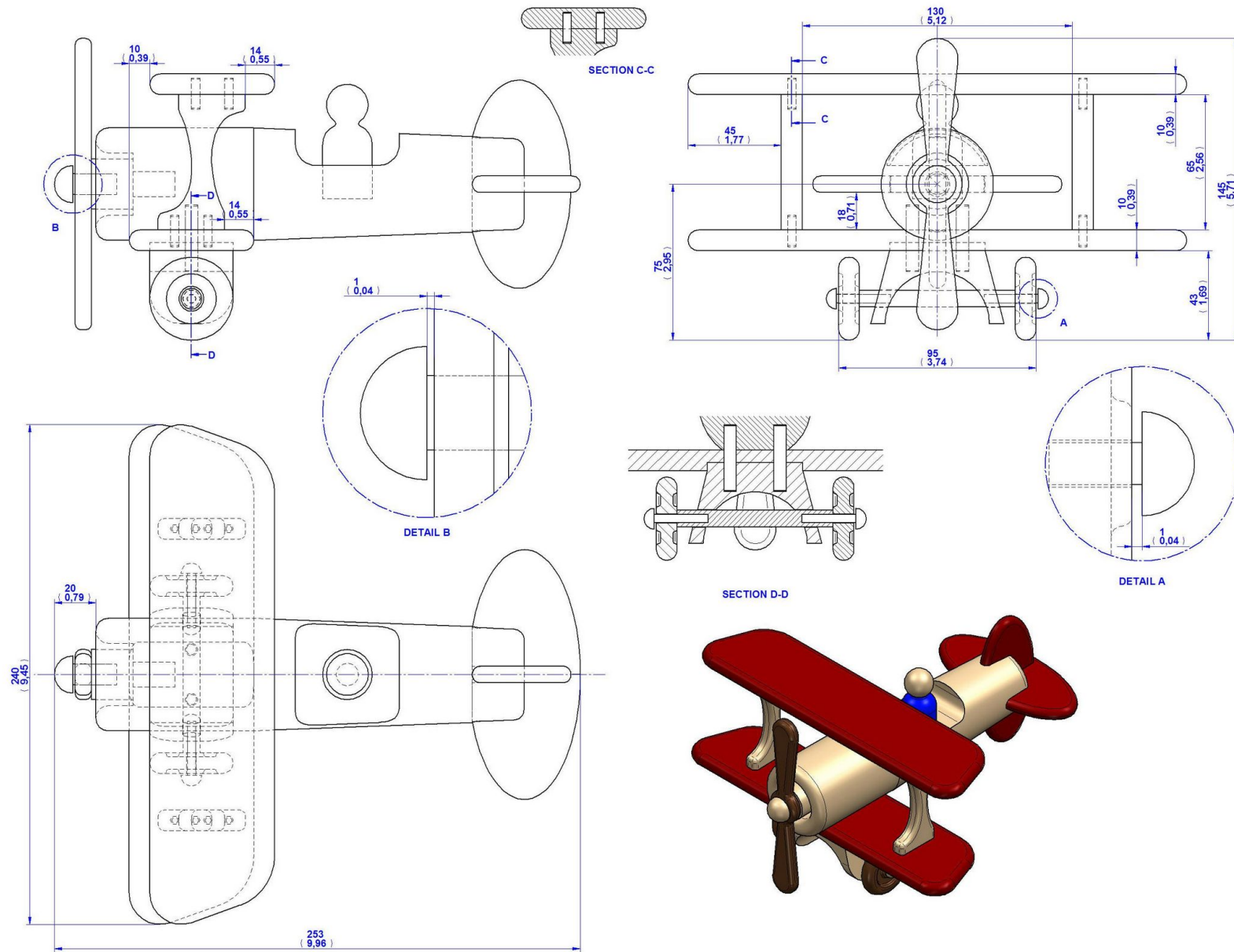
Toys like these are not very complex and they make ideal projects for woodworking beginners and for people who like hand-crafting but do not have a well-equipped workshop.

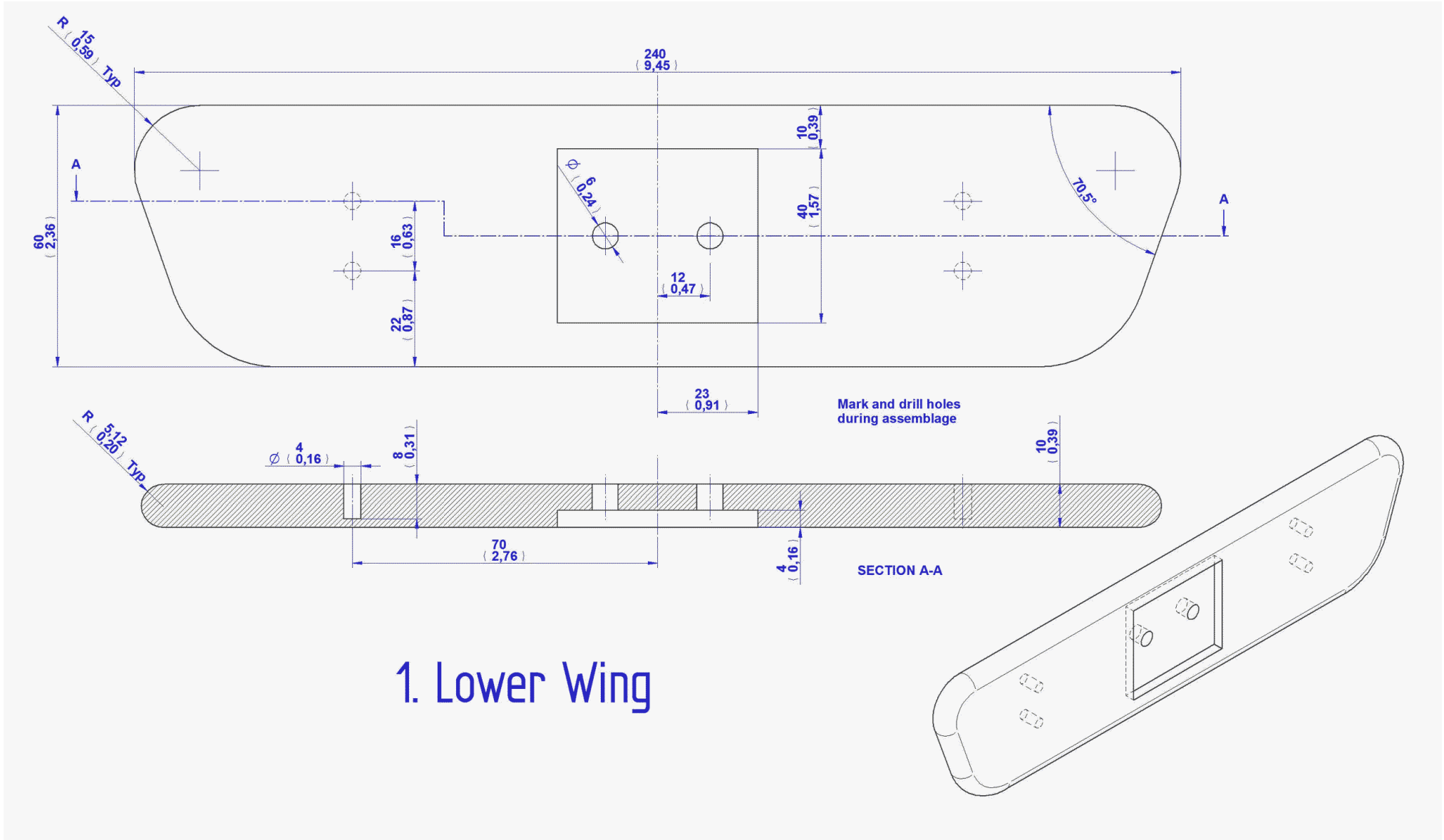
# Parts List

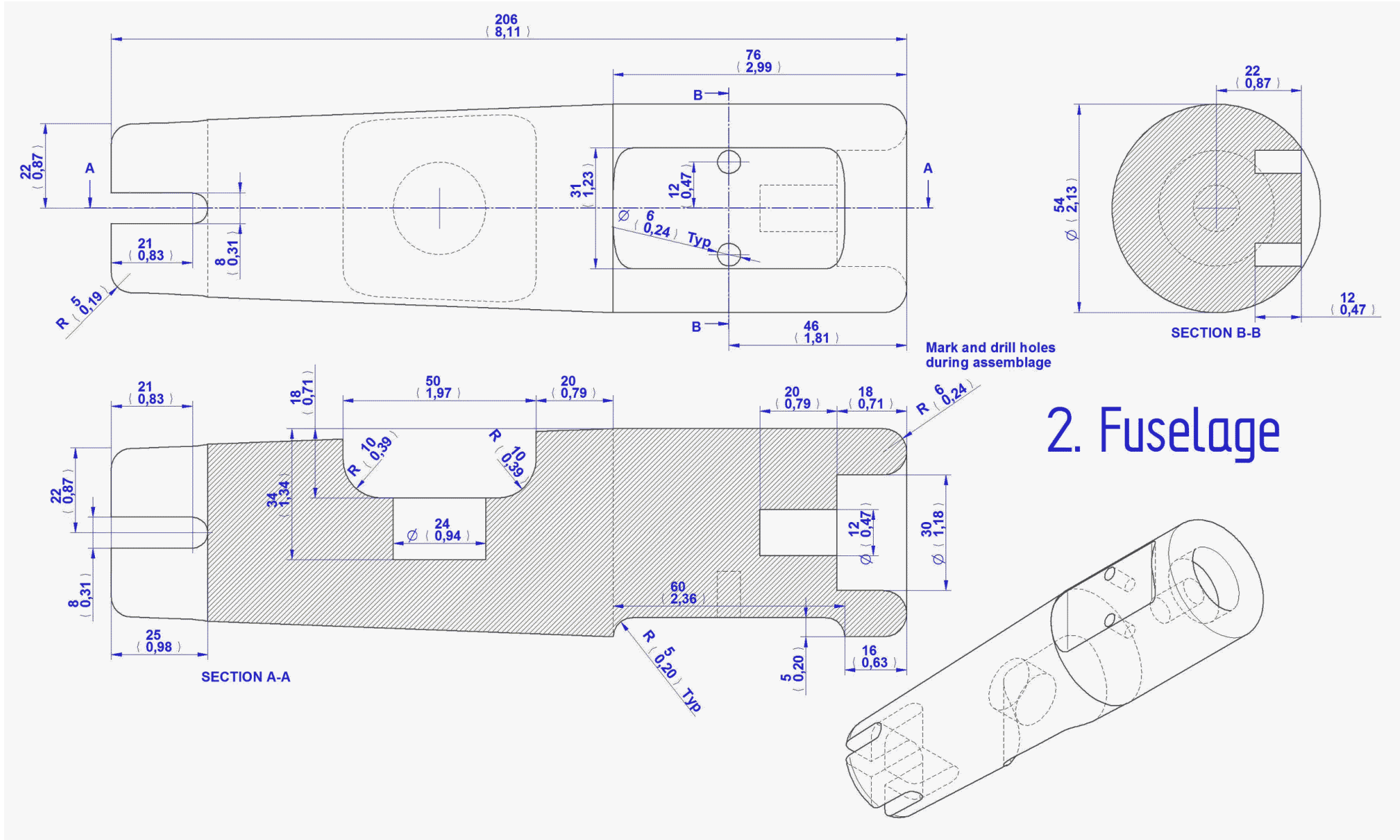


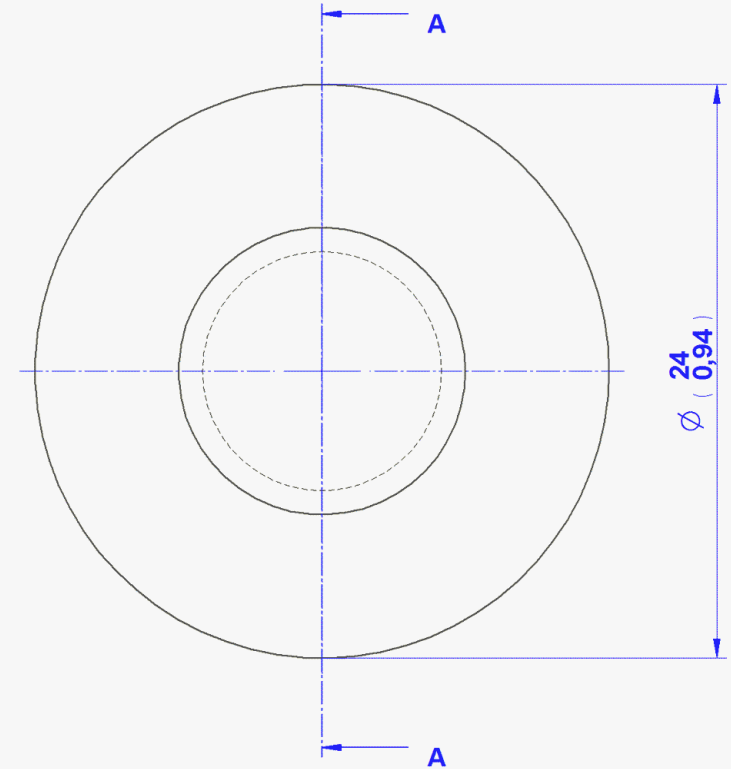
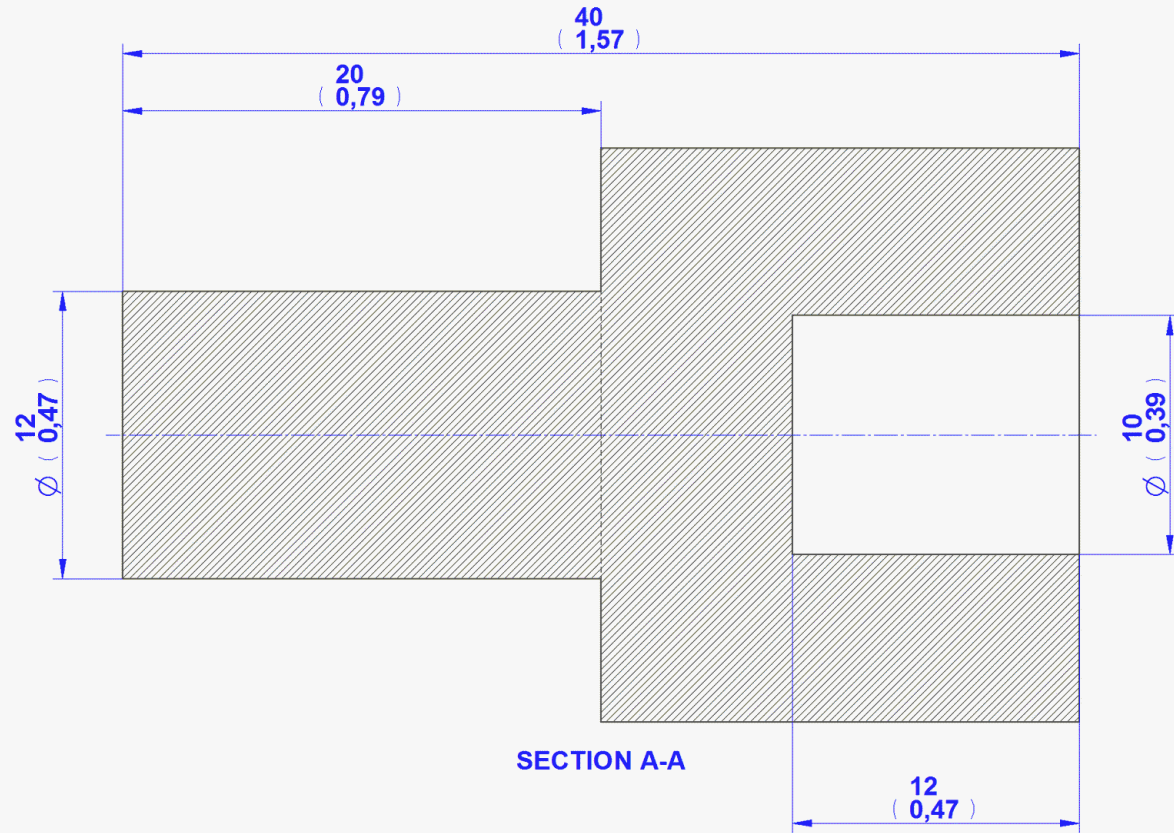
Item Number	Title	Material	Quantity
1	Lower Wing	Wood	1
2	Fuselage	Wood	1
3	Motor	Wood	1
4	Propeller	Wood	1
5	Holder	Wood	1
6	Horizontal Tail	Wood	1
7	Vertical Tail	Wood	1
8	Vertical Crossbar	Wood	2
9	Pilot	Wood	1
10	Landing Gear	Wood	1
11	Upper Wing	Wood	1
12	Main Axle	Wood	1
13	Wheel	Wood	2
14	Wheel Axle	Wood	2
15	Dowel D6x32mm	Wood	2
16	Dowel D4x15mm	Wood	8

# 2D Documentation Assembly Drawing

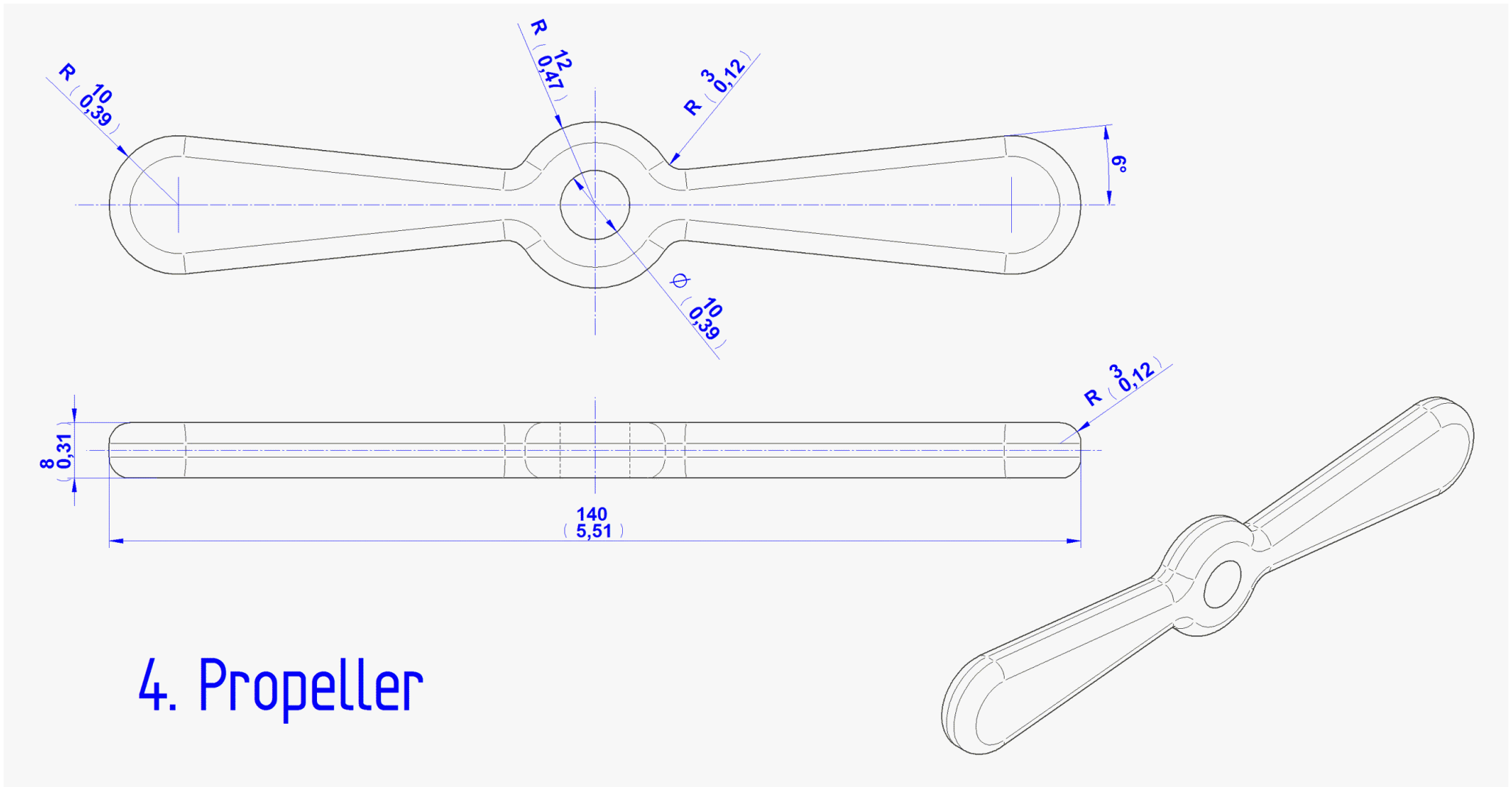




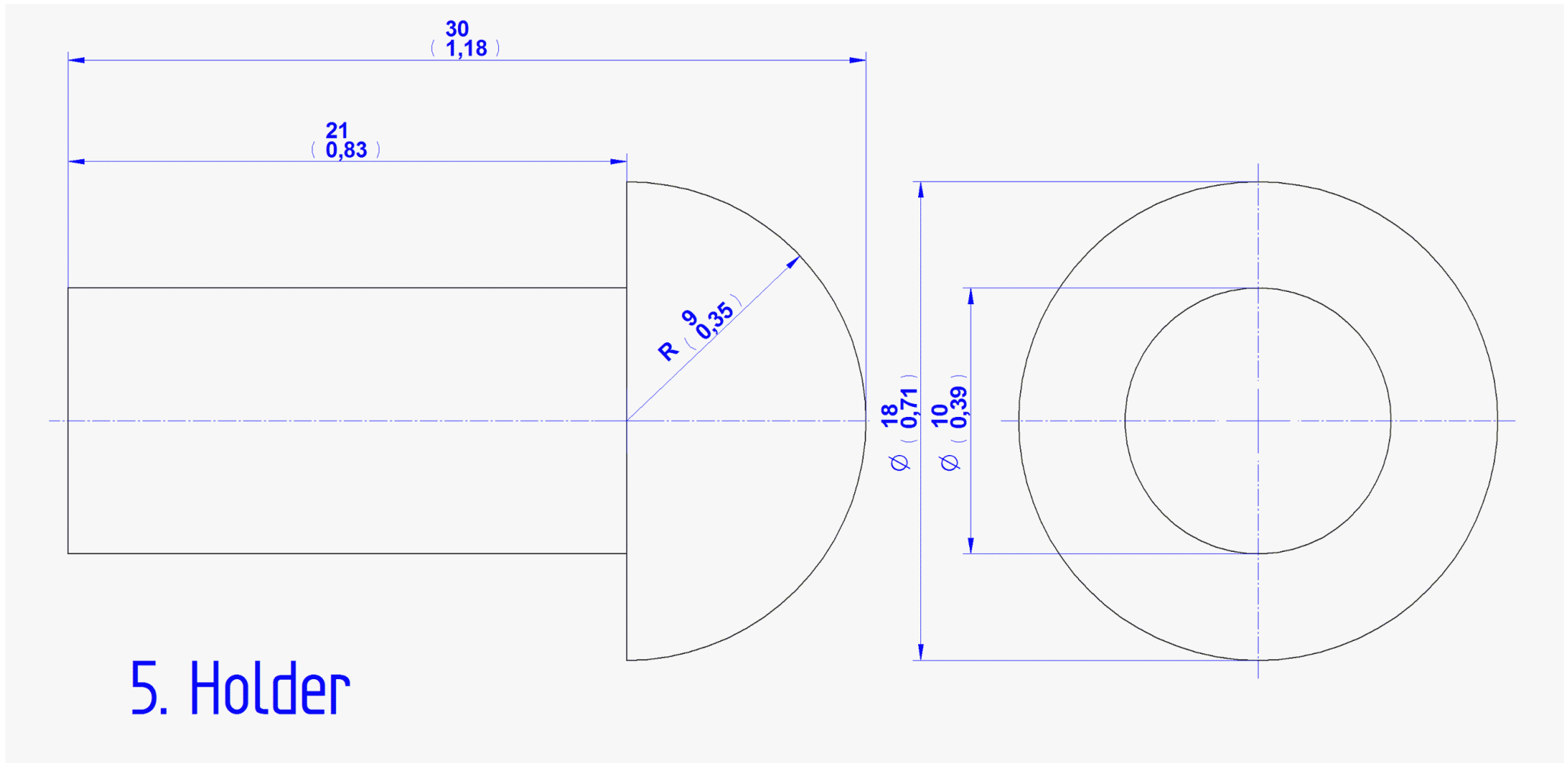




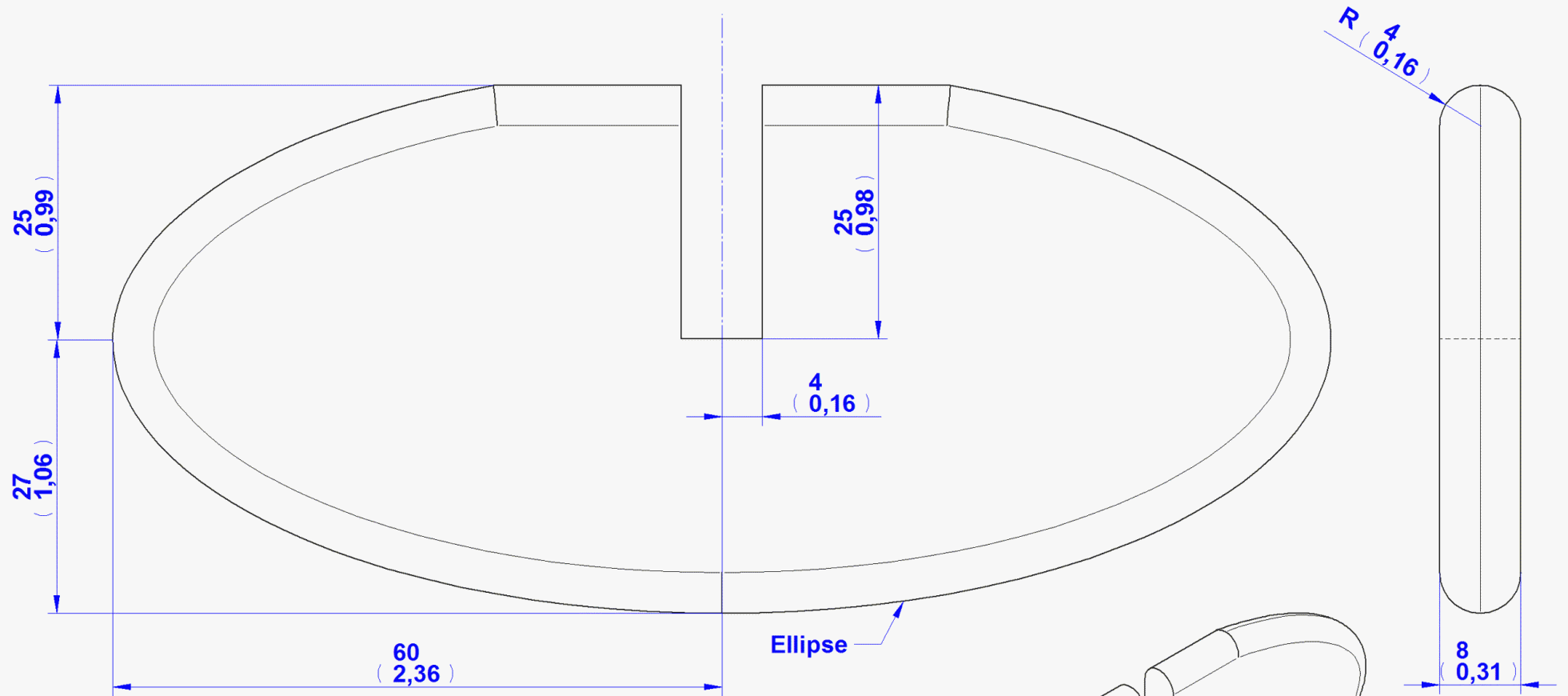
### 3. Motor



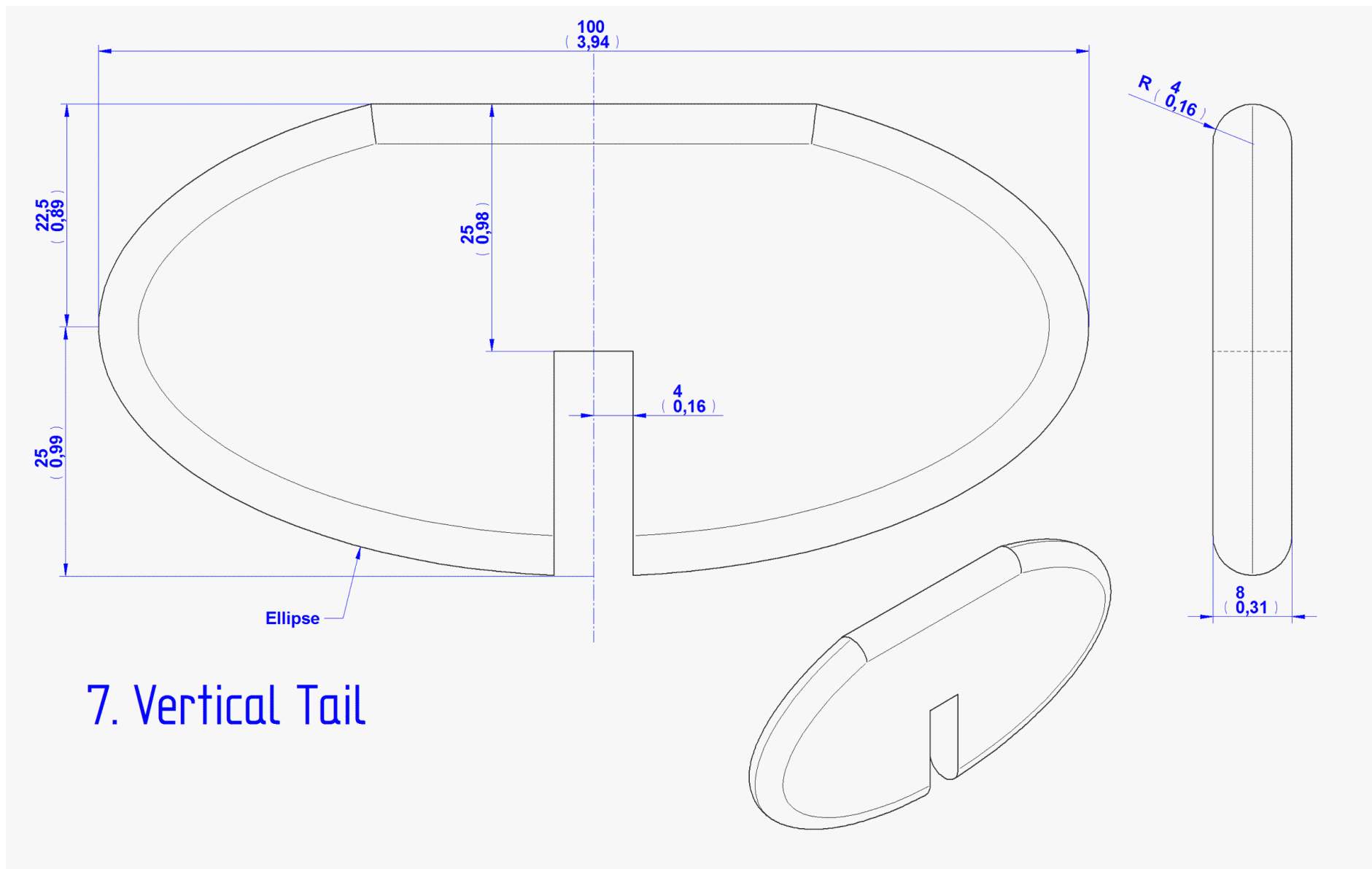
## 4. Propeller



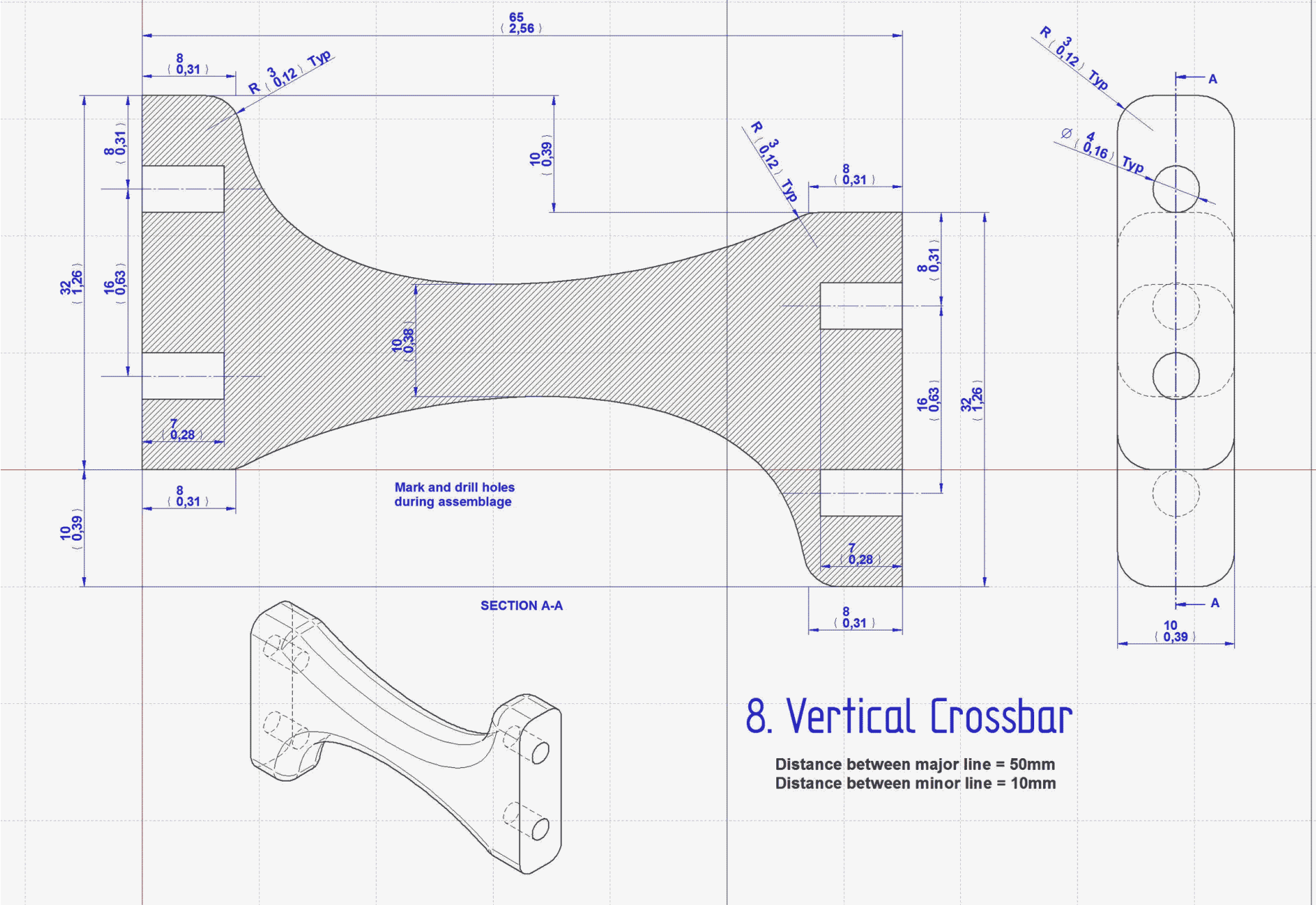


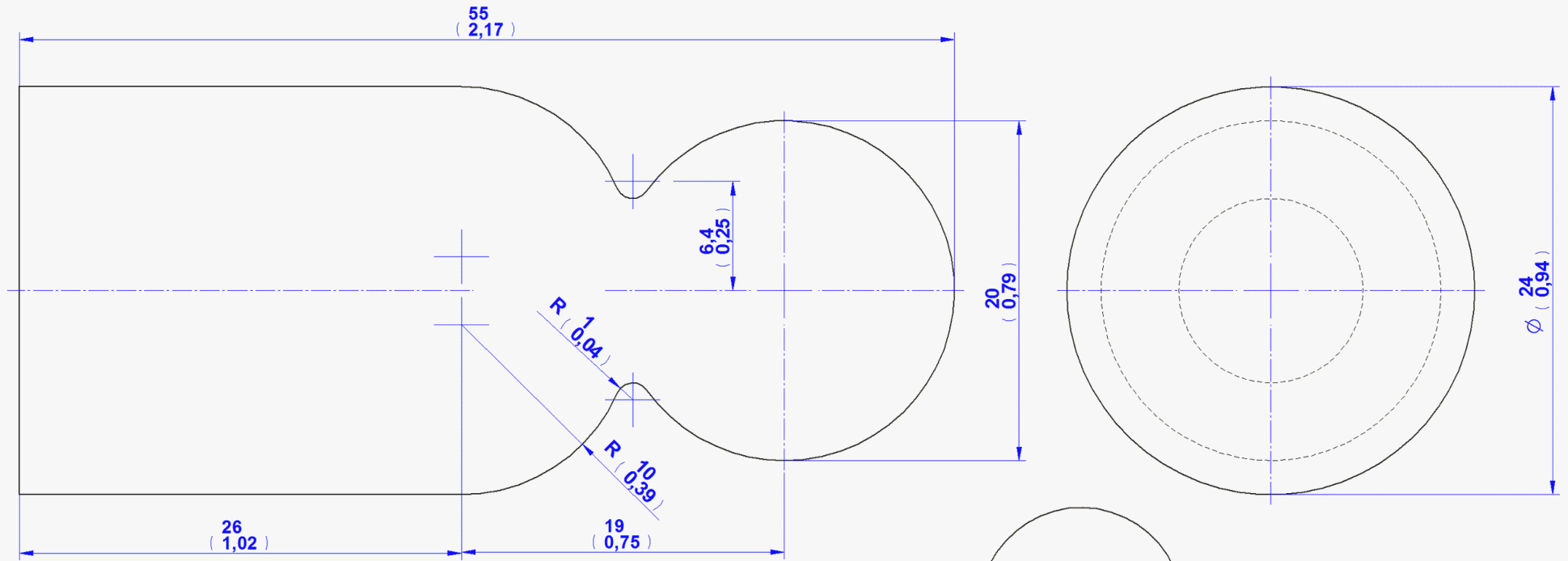


## 6. Horizontal Tail

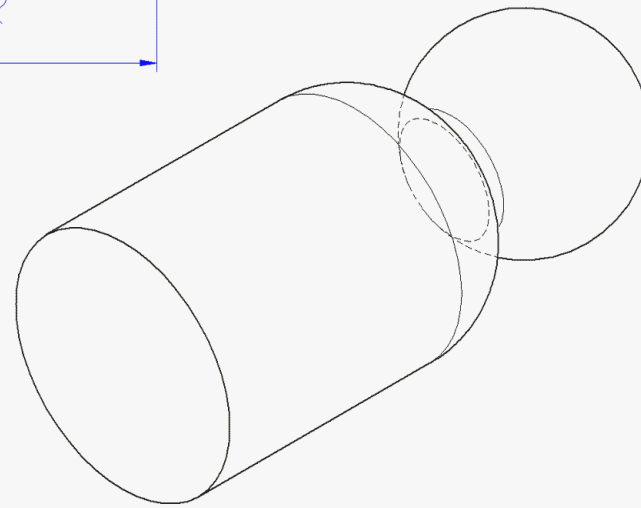


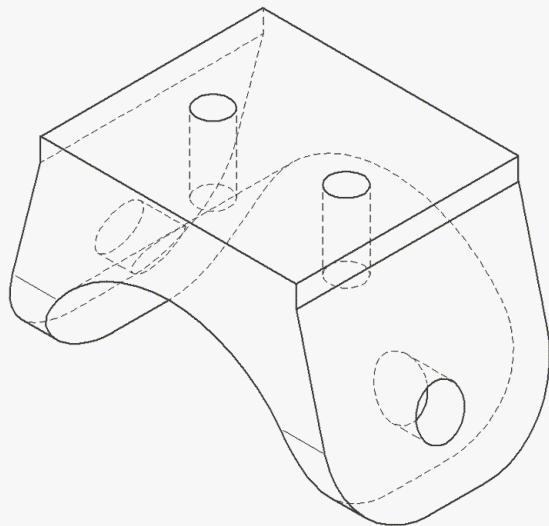
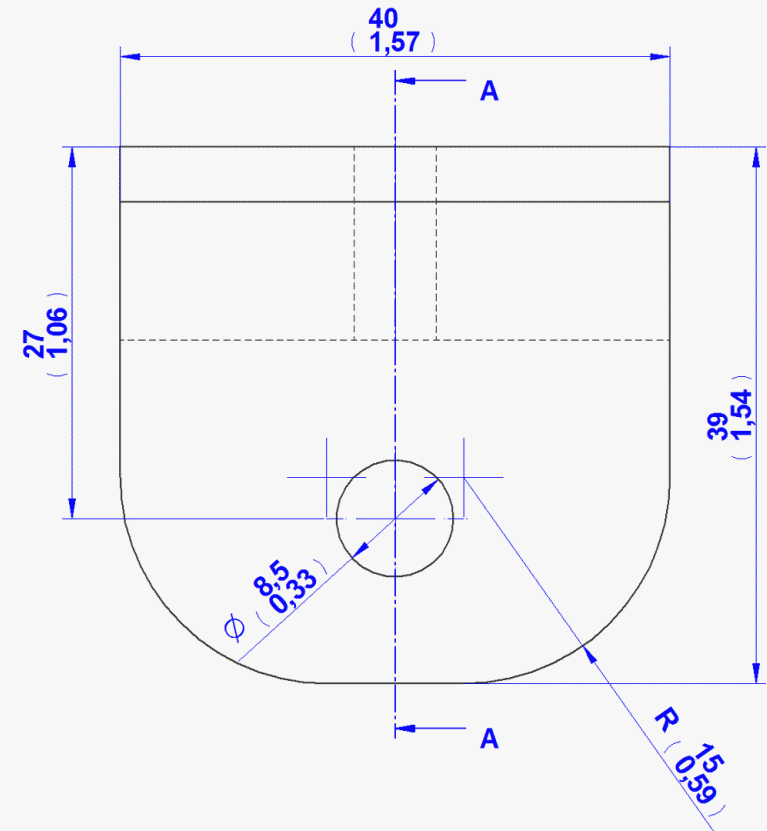
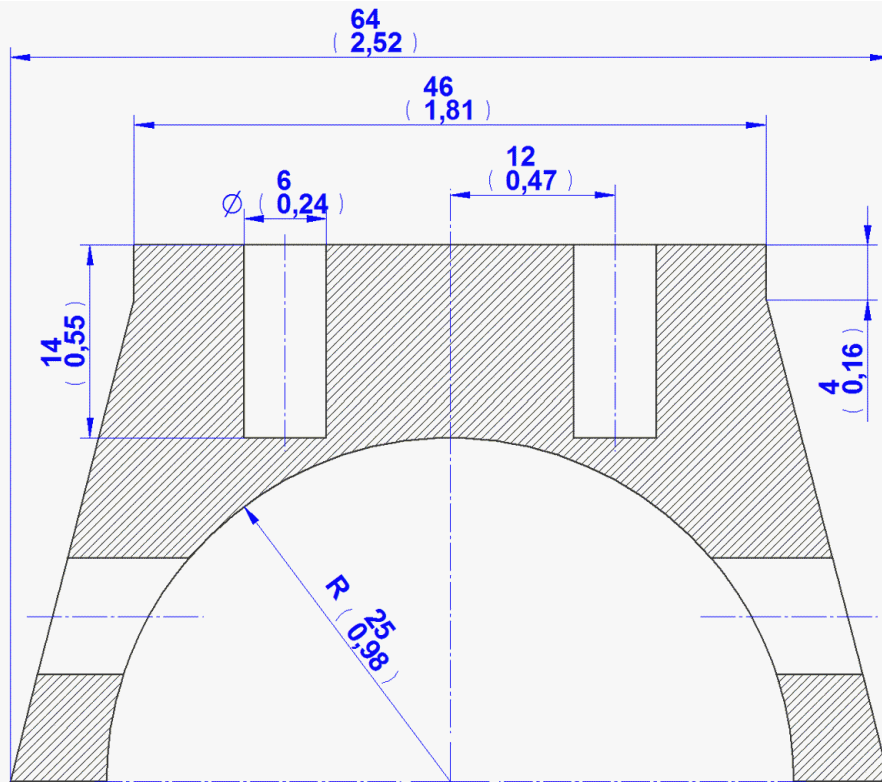
## 7. Vertical Tail





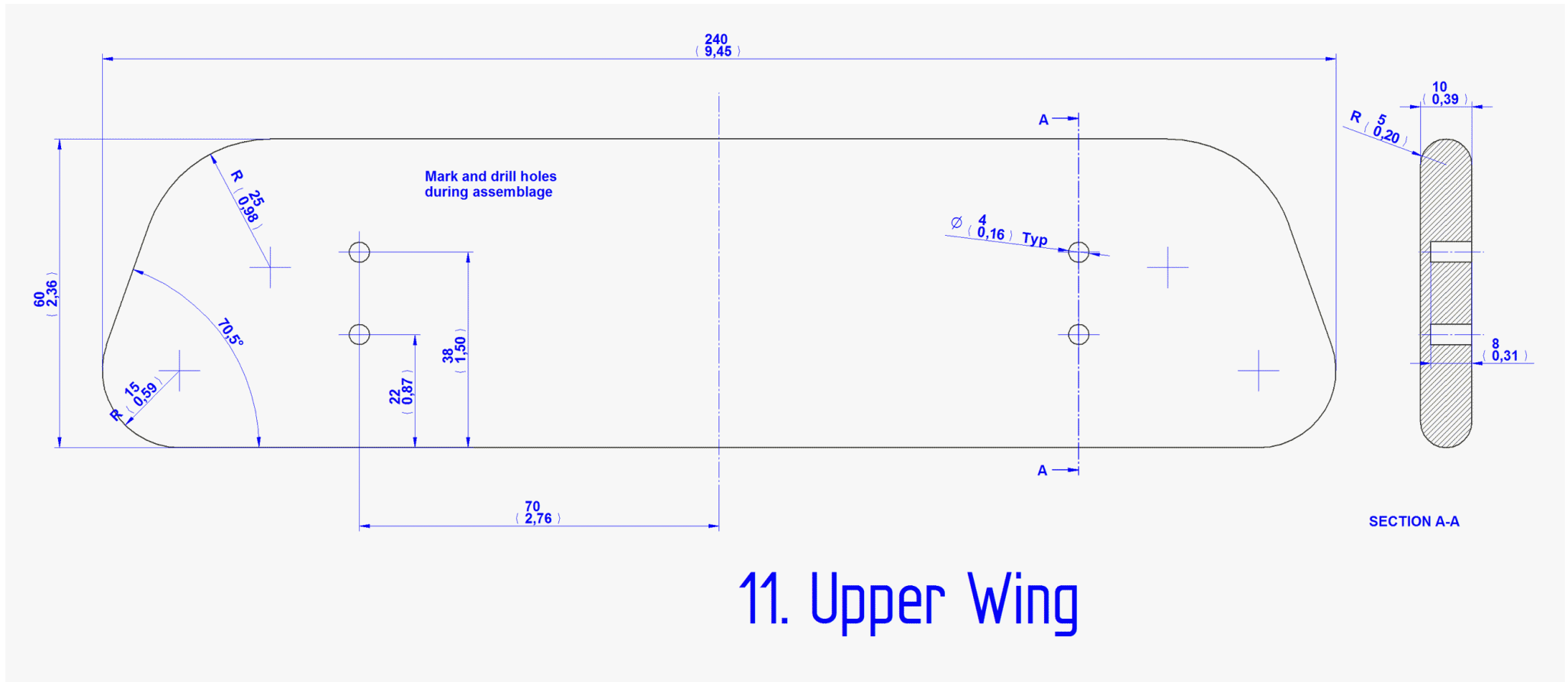
## 9. Pilot



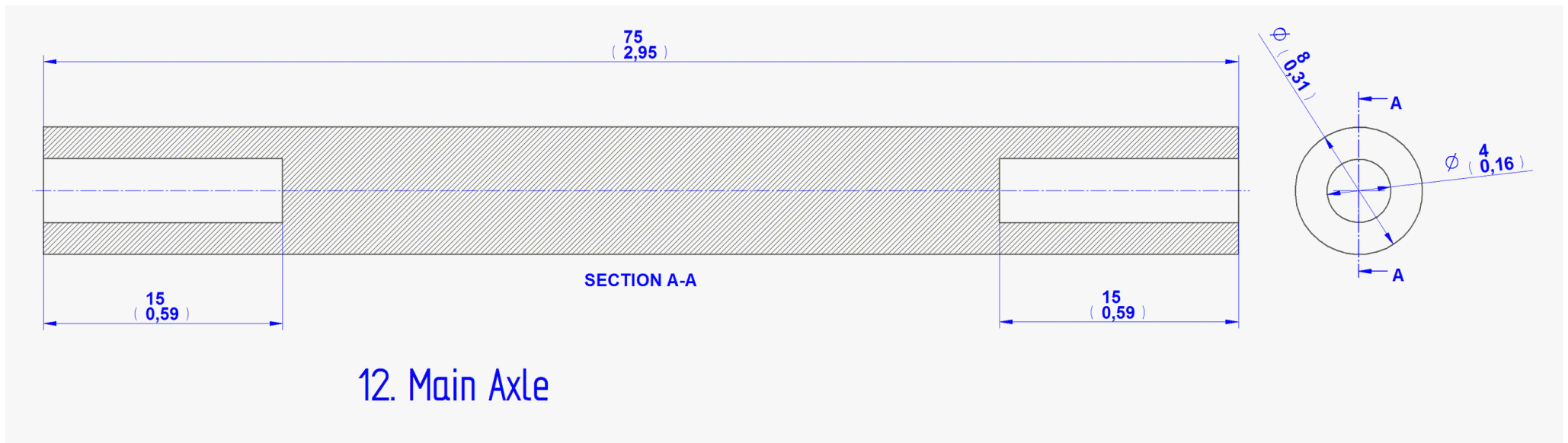


## 10. Landing Gear

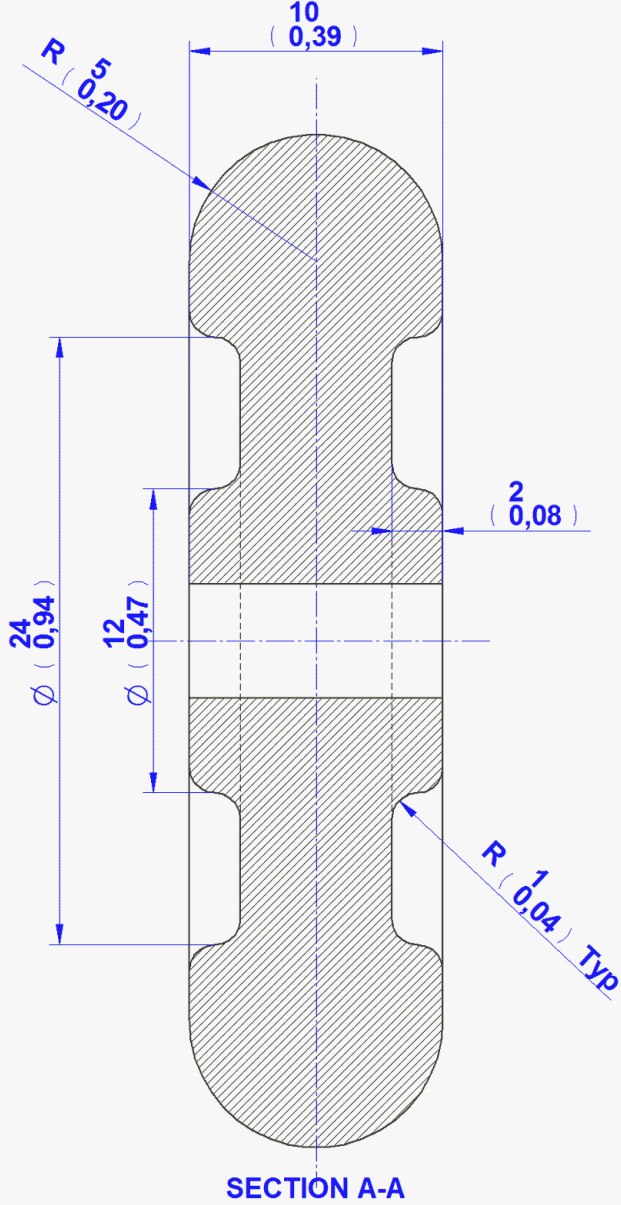
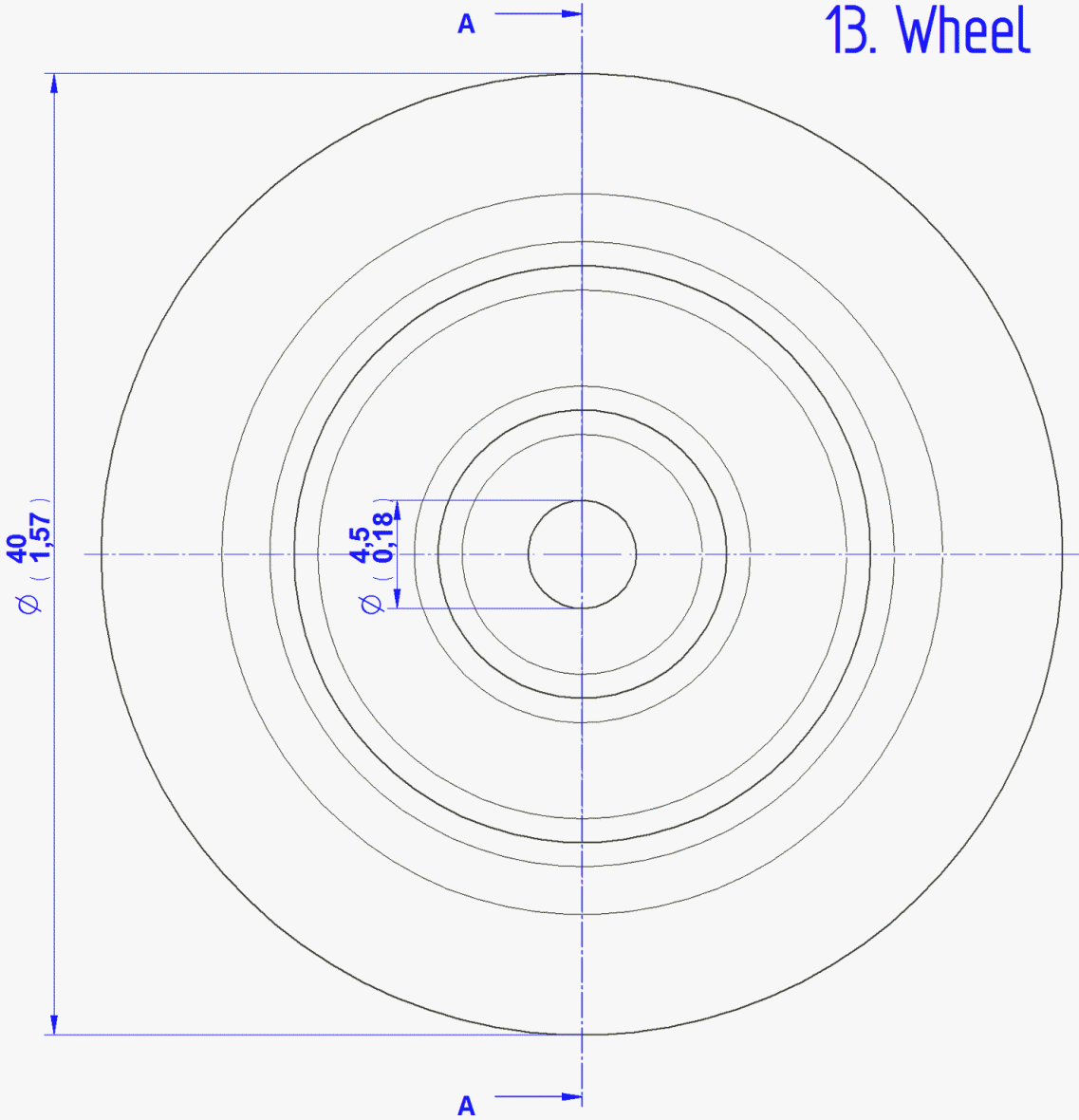
Mark and drill holes during assemblage



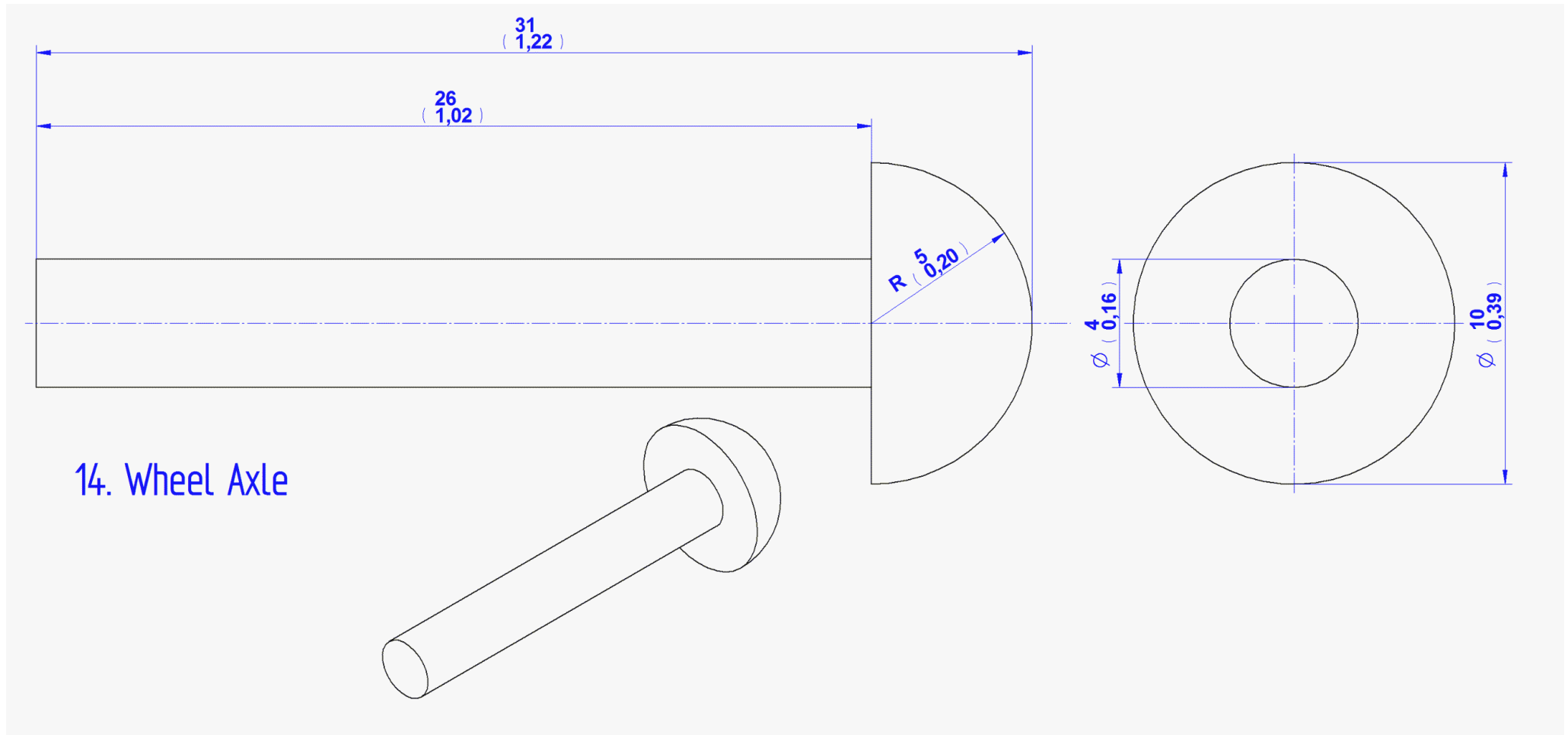
# 11. Upper Wing



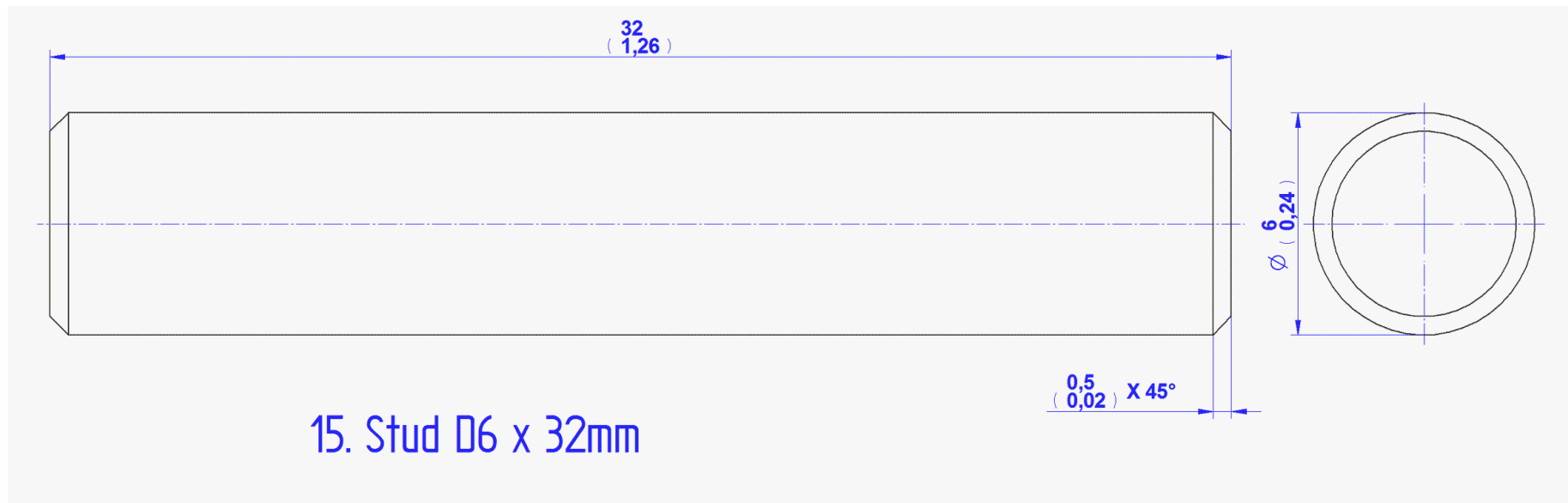
# 13. Wheel

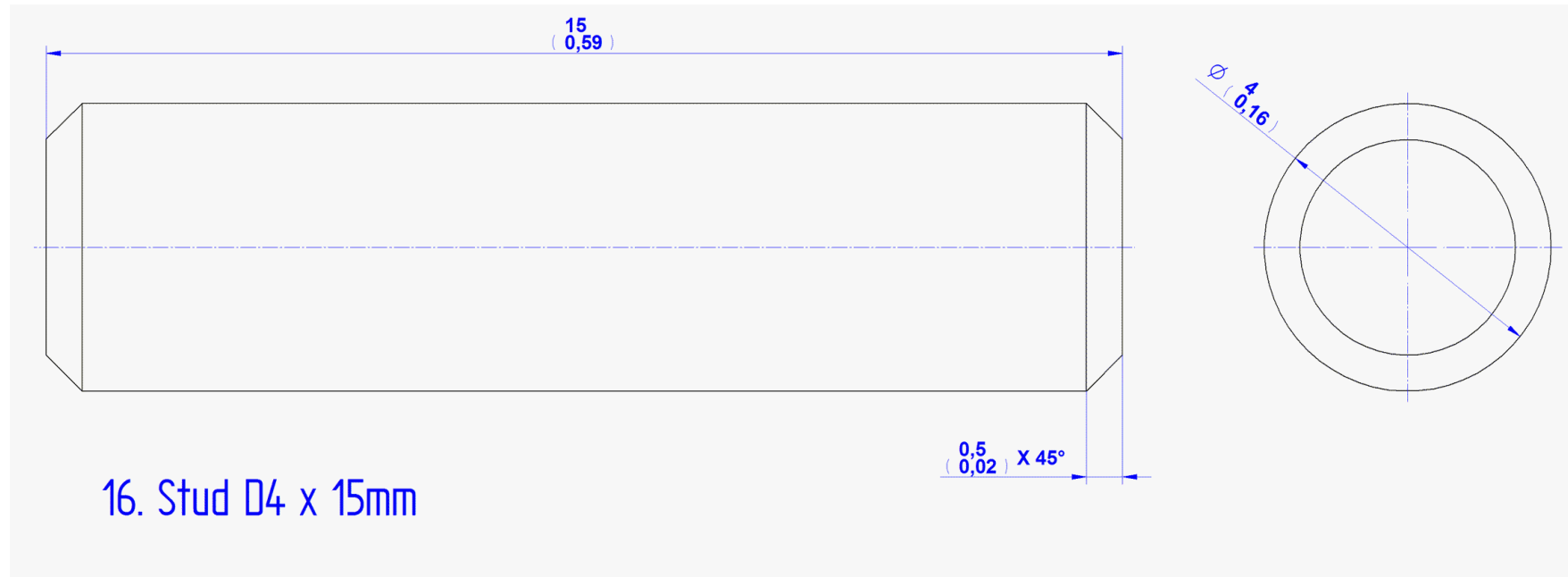






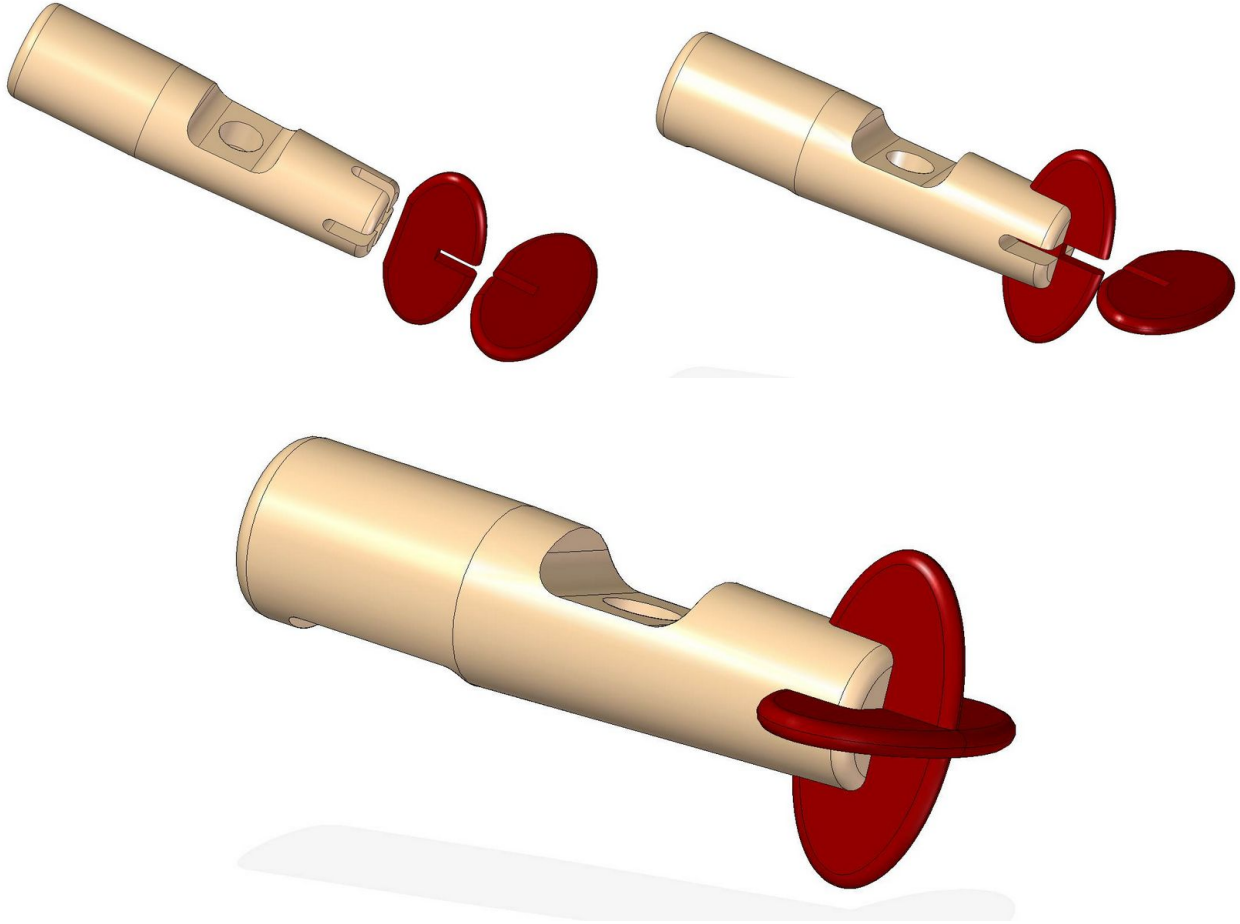
14. Wheel Axle



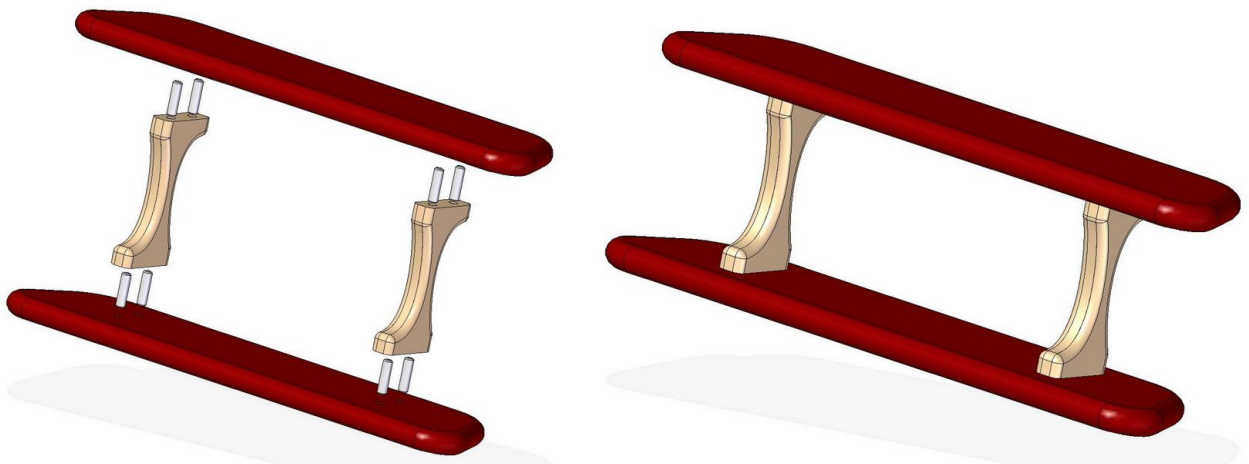


## Assemblage Instruction

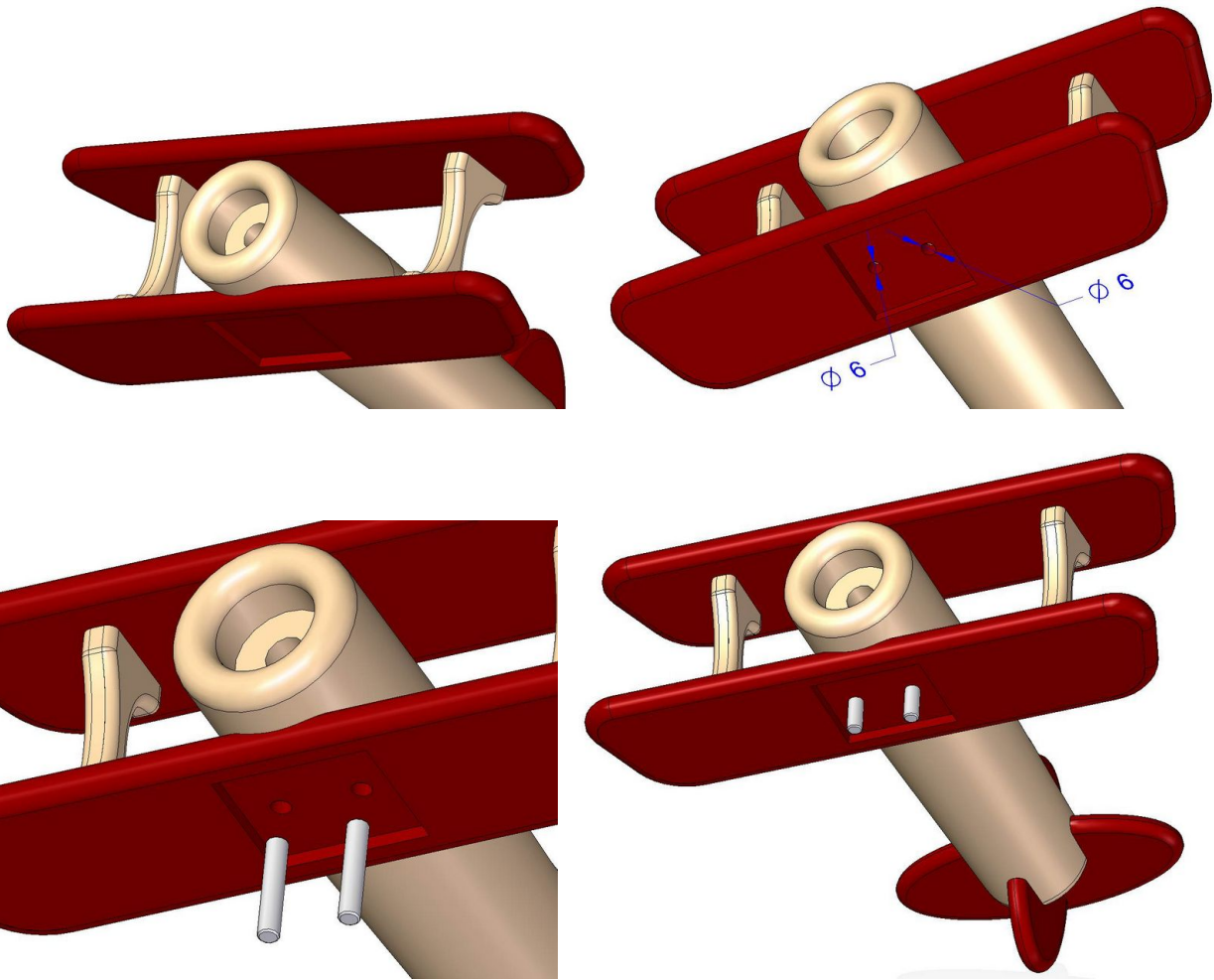
1.



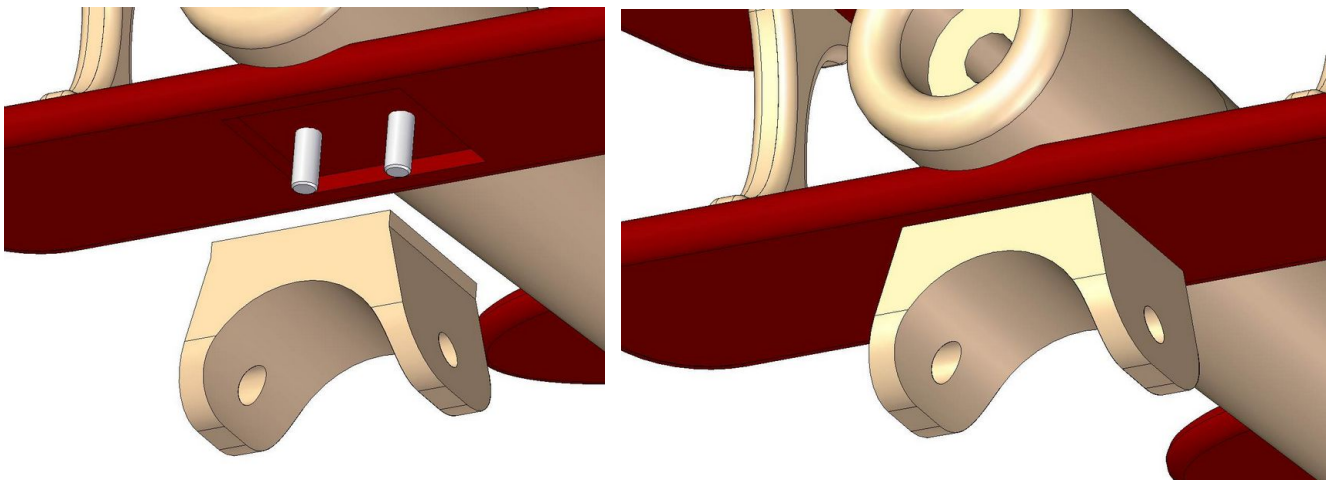
2.



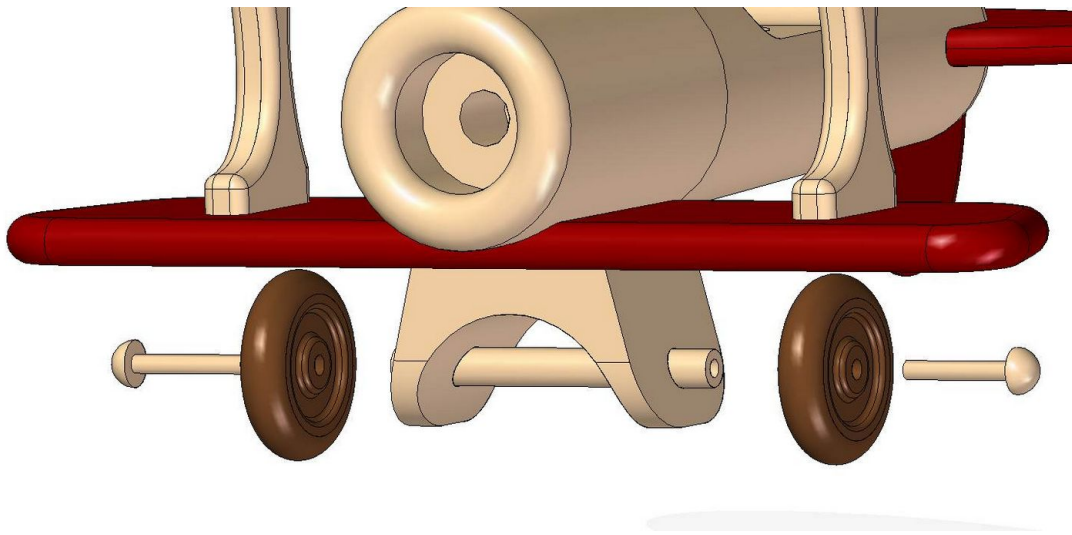
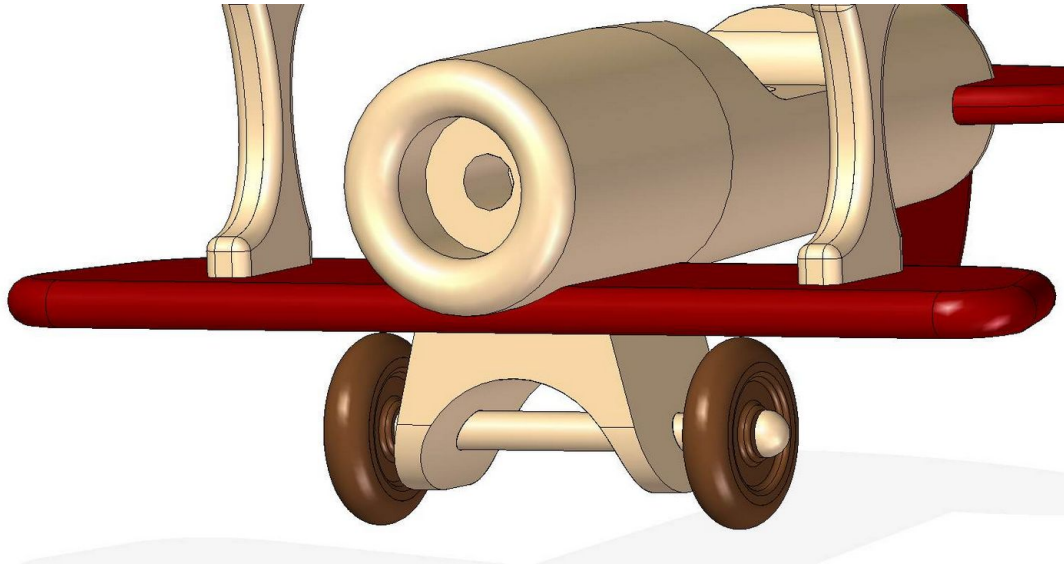
3.



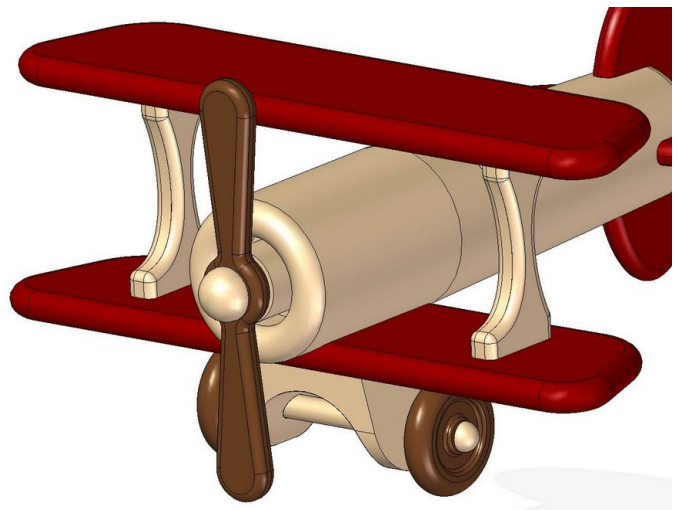
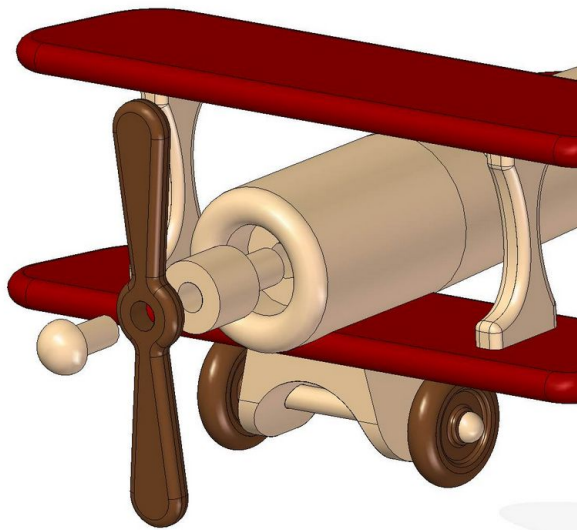
4.



5.



6.



7.

