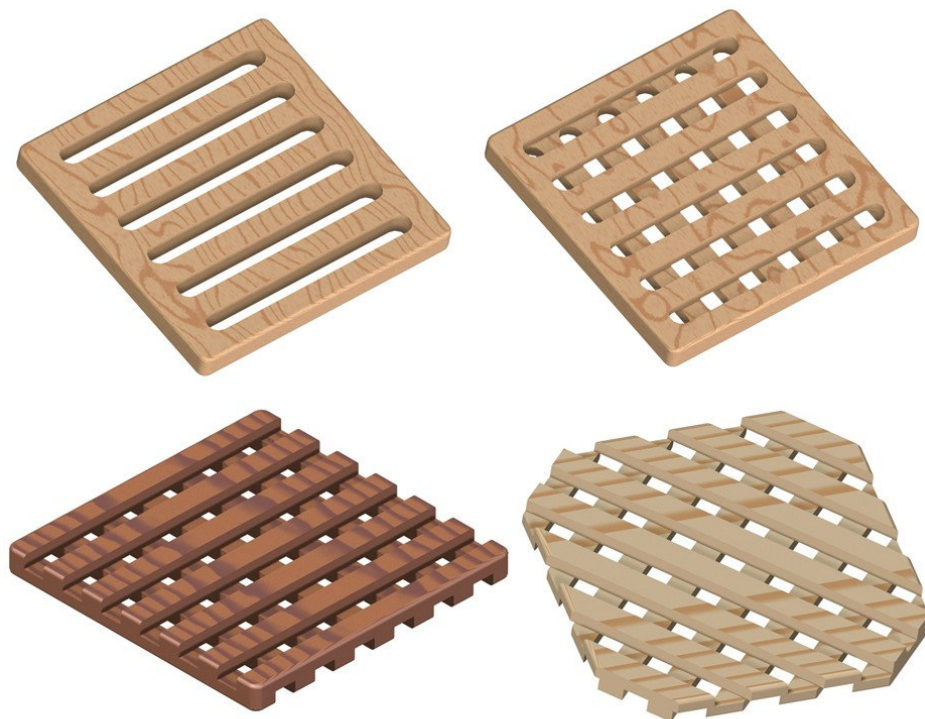


Waffle pattern trivets

Trivets are kitchen utensils designed to protect table tops from damage by hot dishes and pans. They can be made of different materials, such as metal, glass, baked clay, wood or fabric. They are most often made of materials that tolerate and disperse a wide range of temperatures. The best trivets are those made of wood or bamboo, because these materials transfer the least heat, and at the same time they tolerate a contact with hot metal, causing no damage. A good trivet should have as many grooves as possible, through which air can circulate and disperse heat, preventing it from damaging the surface of the table or kitchen furniture. A beautifully designed trivet can be used on a dinner table, during the food serving.

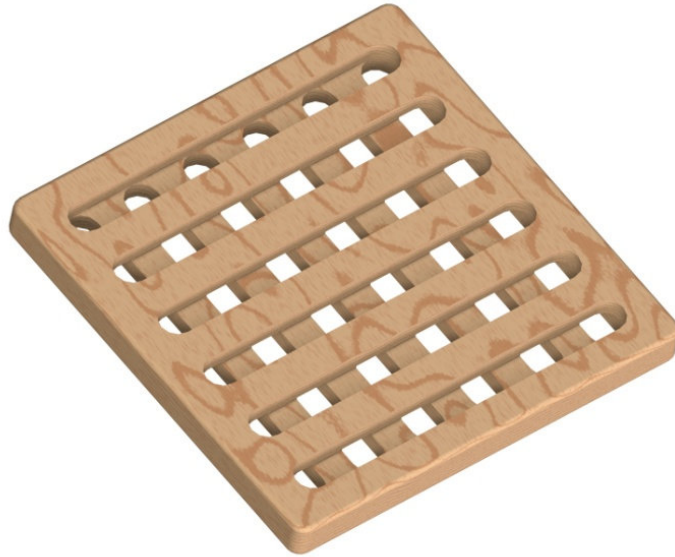


Various kinds of wood can be used to make a trivet, such as olive wood, beech, birch, oak, cherry, maple, bamboo, poplar. Due to the uncontrolled harvesting of natural forests and subsequent destruction of animal habitats, our advice is to always use only local wood species from known sources that do not originate from endangered habitats. We are sure that you will love your handwork more if you know that nobody's life was endangered because of it.

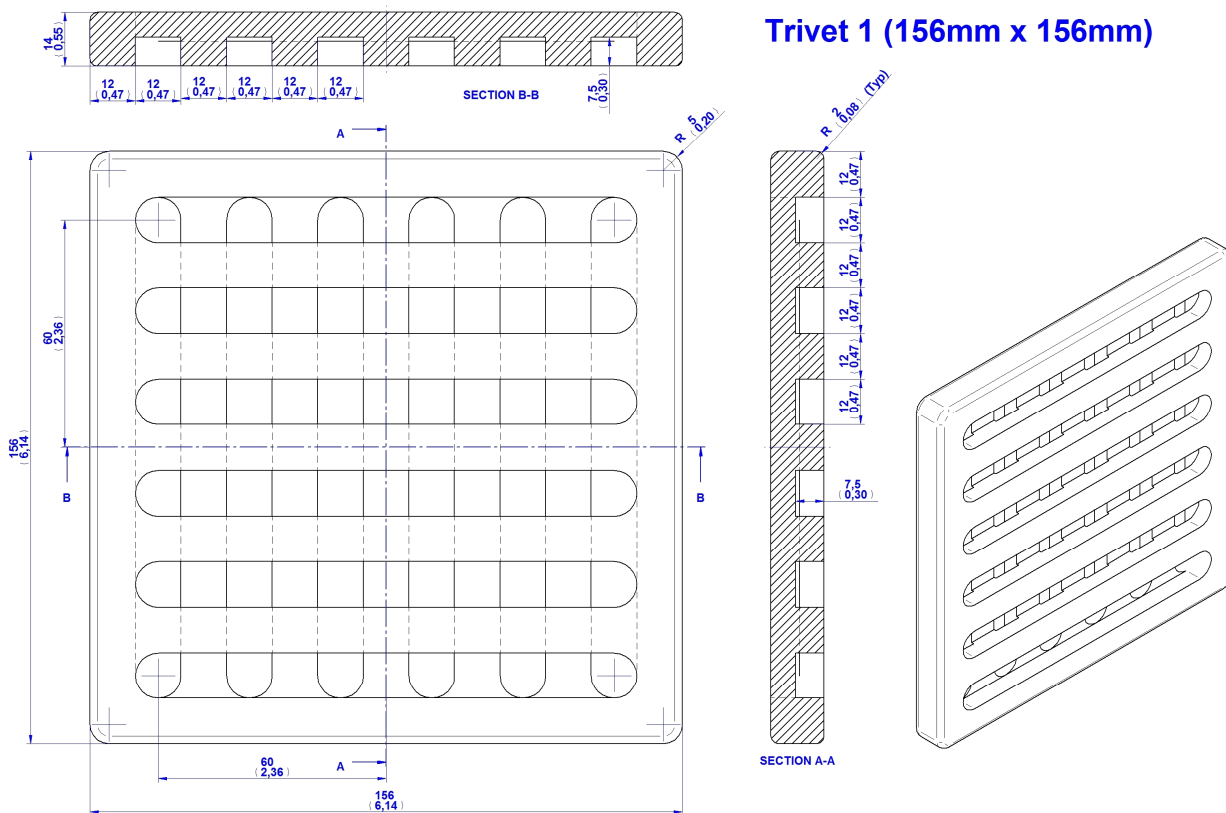
All three wooden trivets proposed here are made of a single piece of wood. It is so called "waffle pattern," that is, lattice design, and it is quite easy to make. The most important thing is to mark properly and cut the center cuts on both sides, then make sure that all grooves are on the proper distance. The depth of individual grooves should be only slightly larger than a half of the material's thickness. Finally, sanding the grooves and the entire surface should be done. It is not necessary to apply finish to trivets, but if you prefer, you can apply some good quality food-safe finish, such as linseed oil or similar, and leave it to dry well. Do not use beeswax as a finish, because when it comes into contact with hot dishes, it will start melting and dirtying the dishes.

Avoid getting your wooden trivet wet while cleaning. When necessary, wipe it with a wet cloth, but avoid soaking it in water, and do not wash it in a dishwasher.

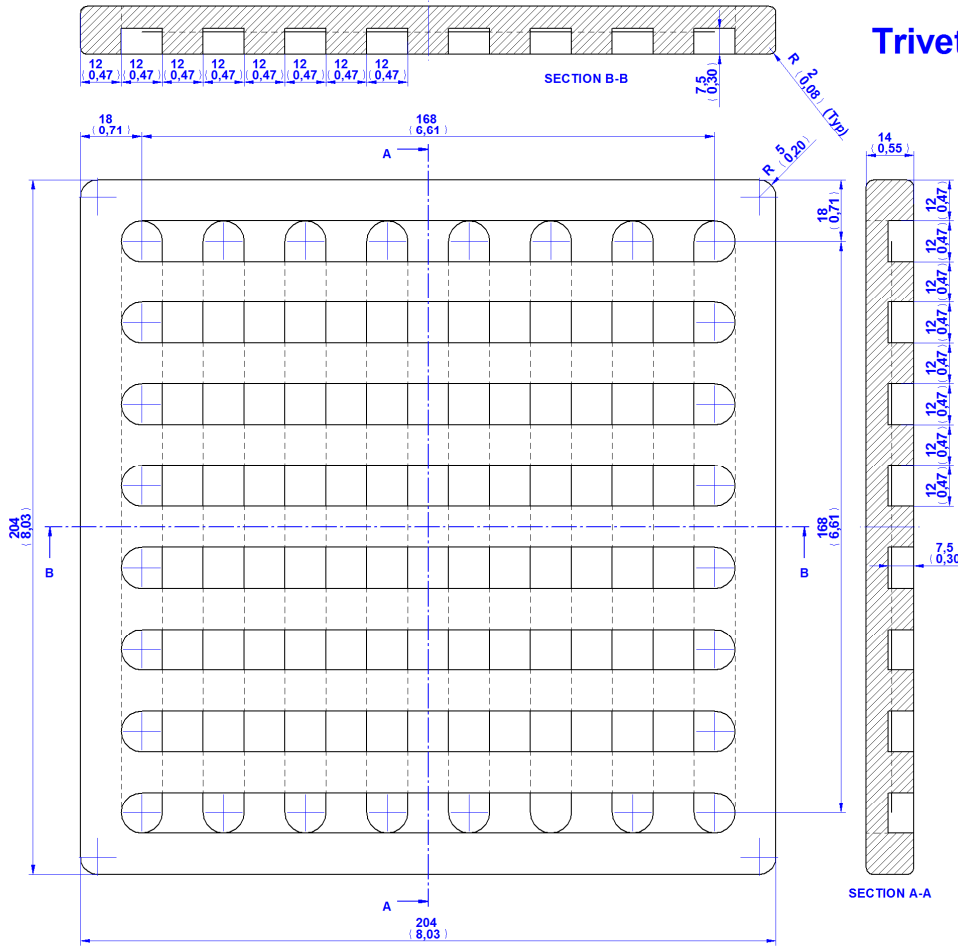
Waffle pattern trivet - Version 1



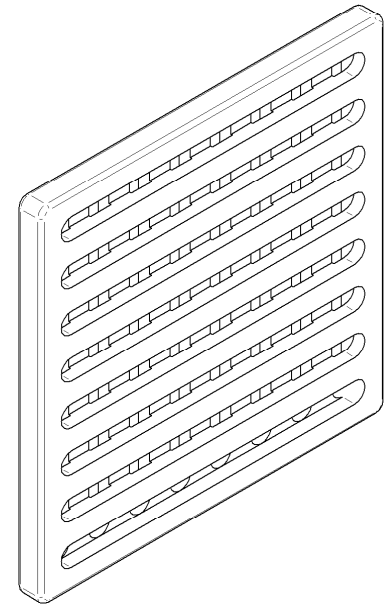
Waffle pattern trivet drawing - Version 1 (156mm x 156mm)



Waffle pattern trivet drawing - Version 1 (204mm x 204mm)



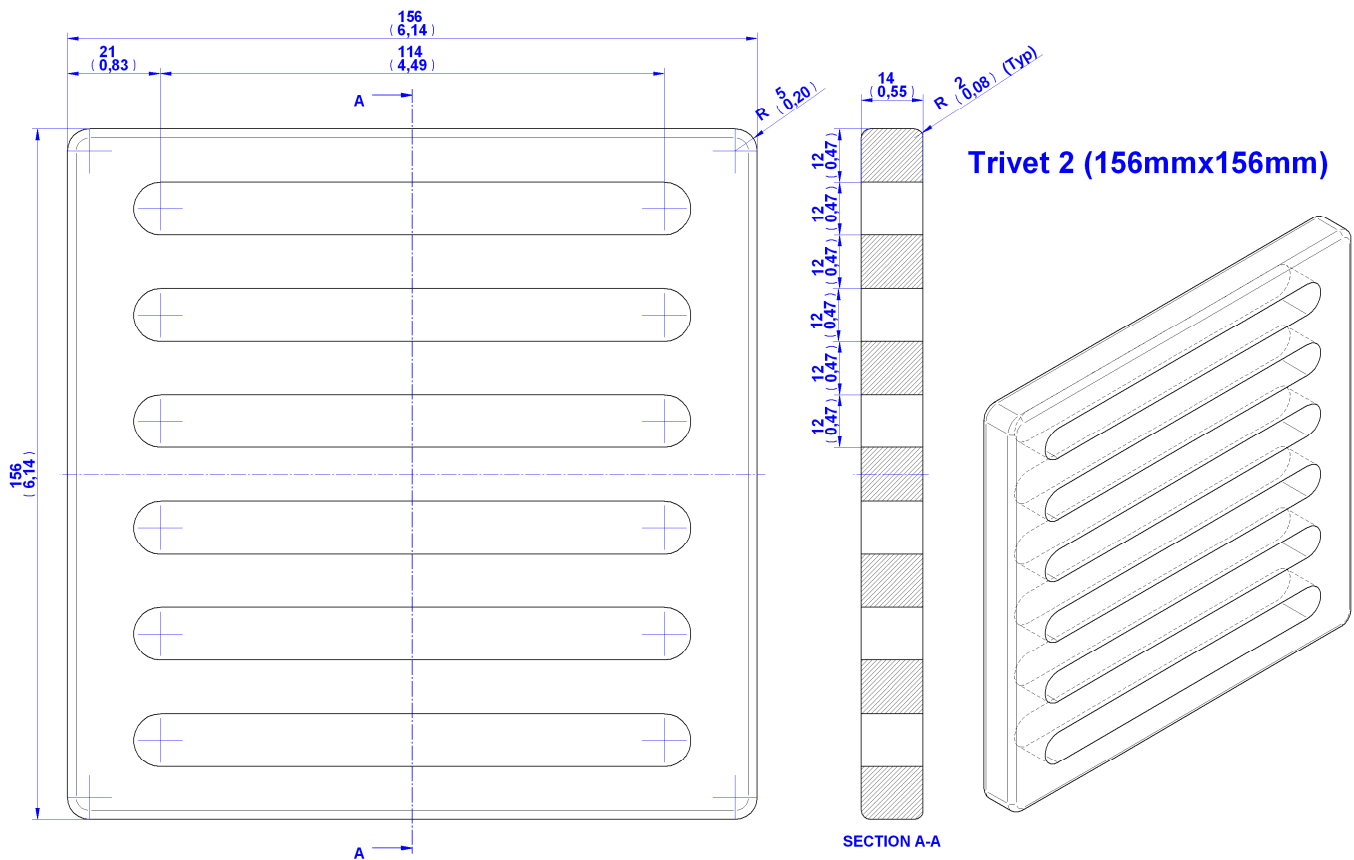
Trivet 2 (204mm x 204mm)



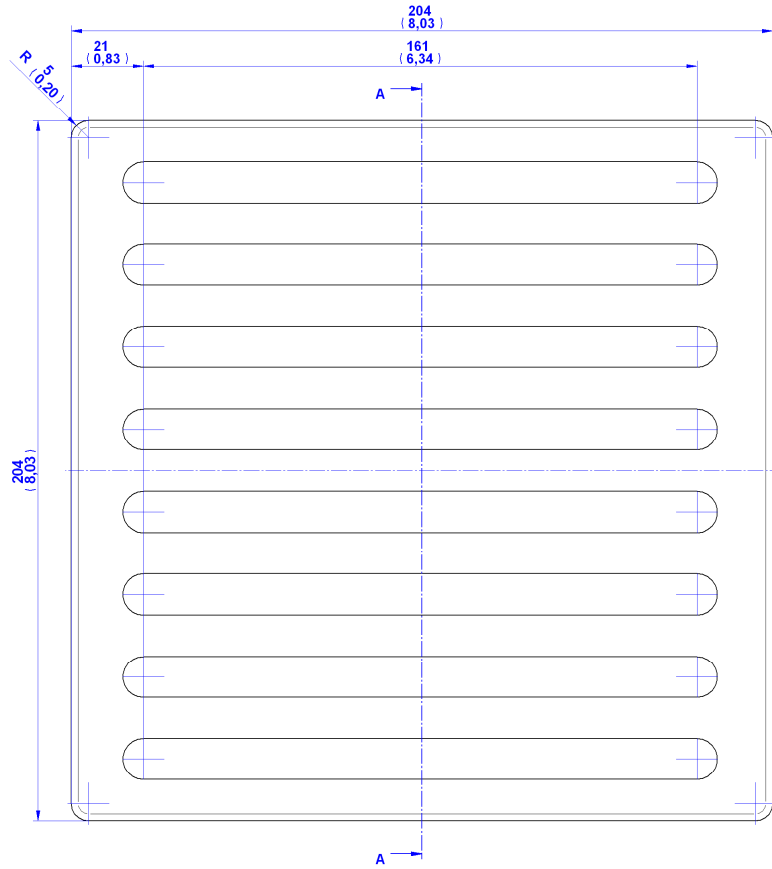
Waffle pattern trivet - Version 2



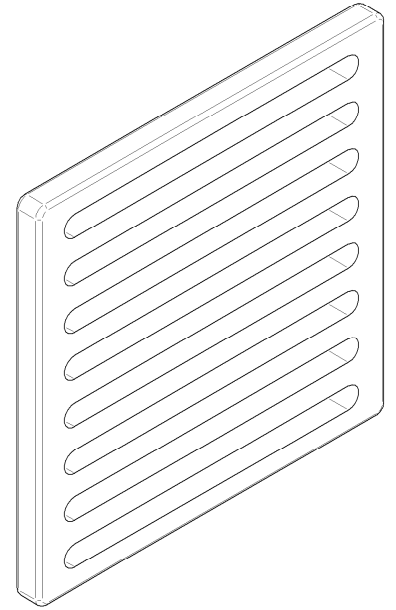
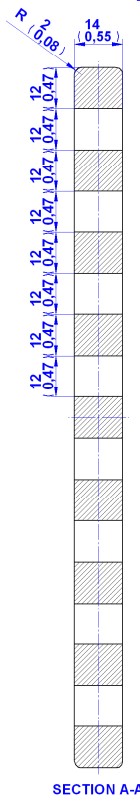
Waffle pattern trivet drawing - Version 2 (156mm x 156mm)



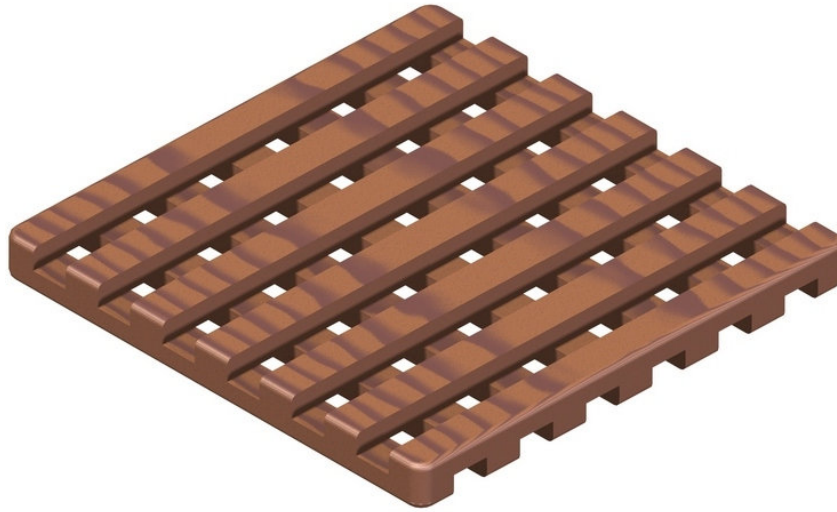
Waffle pattern trivet drawing - Version 2 (204mm x 204mm)



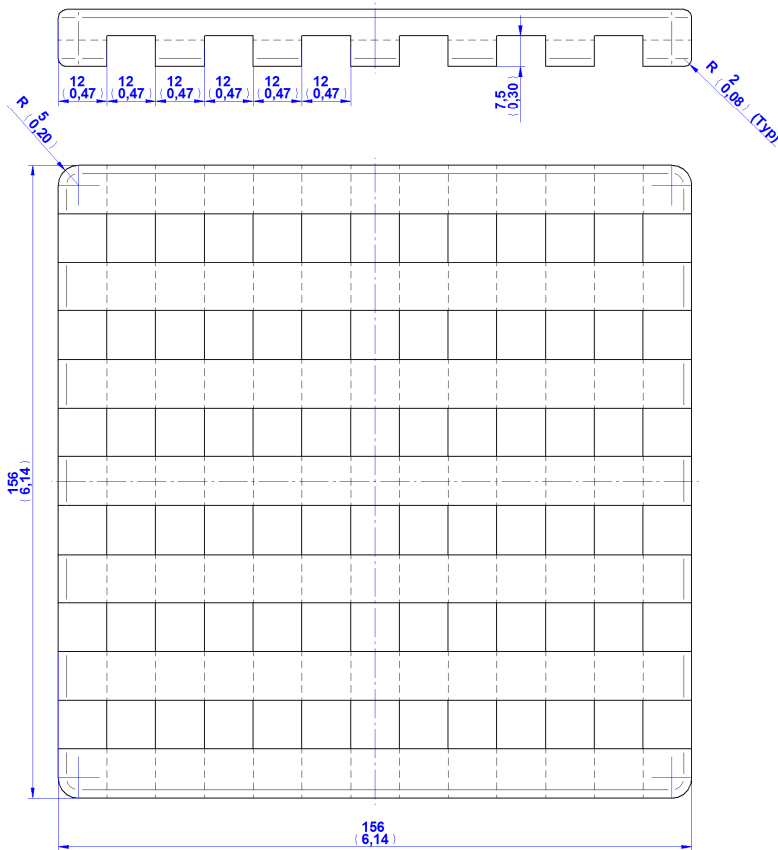
TRIVET 2 (204mm x 204mm)



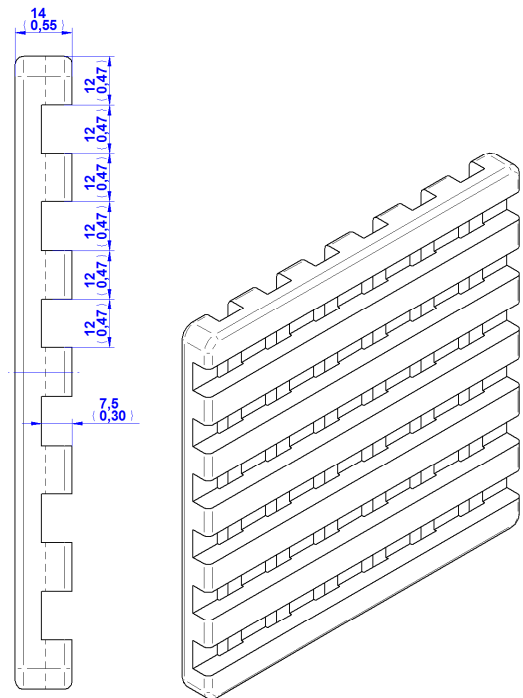
Waffle pattern trivet - Version 3



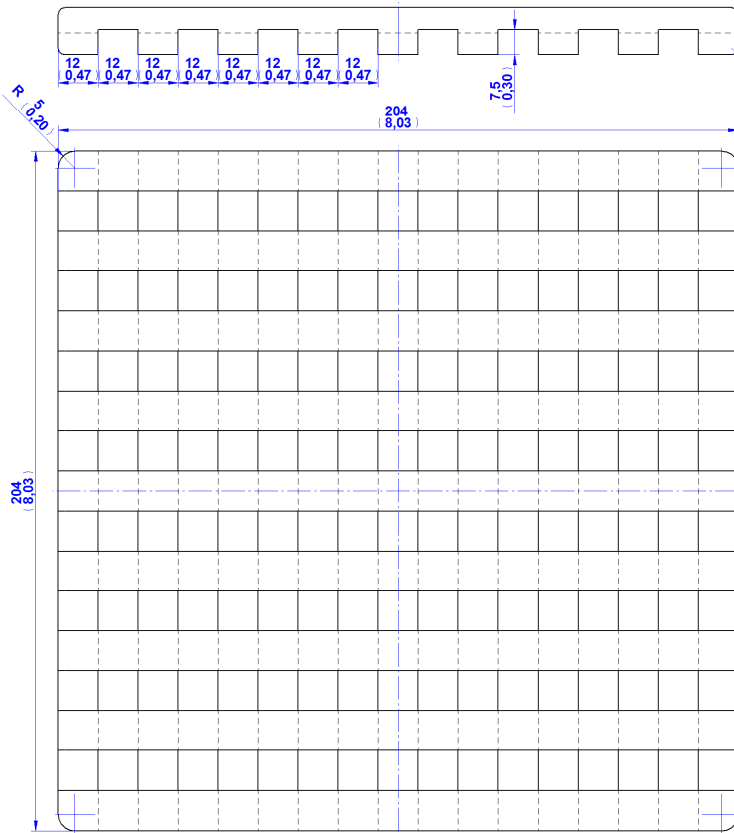
Waffle pattern trivet drawing - Version 3 (156mm x 156mm)



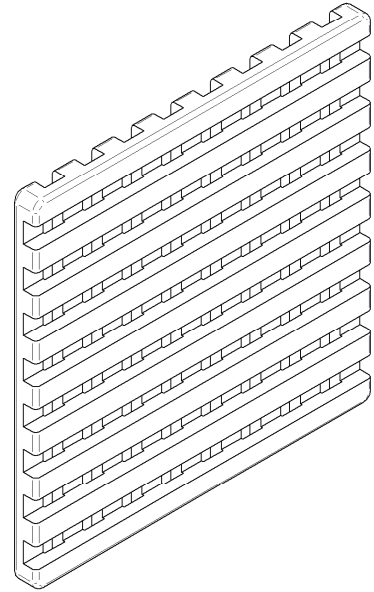
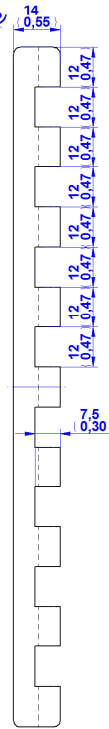
Trivet 3 (156mm x 156mm)



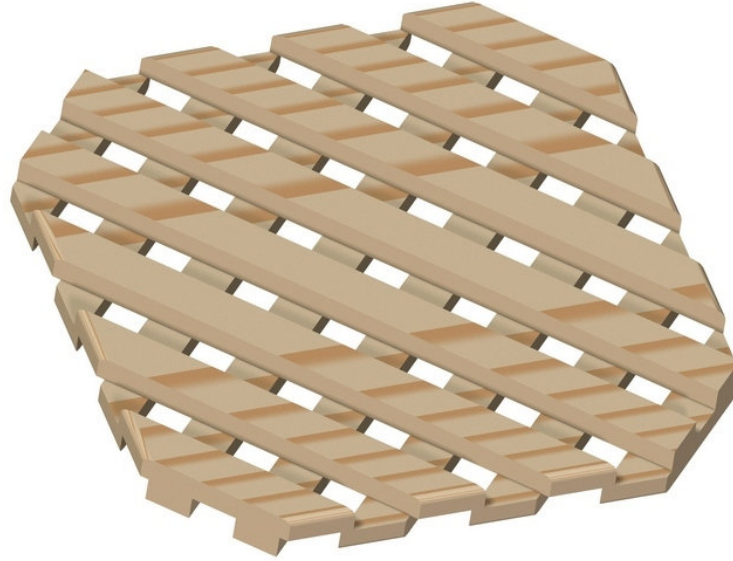
Waffle pattern trivet drawing - Version 3 (204mm x 204mm)



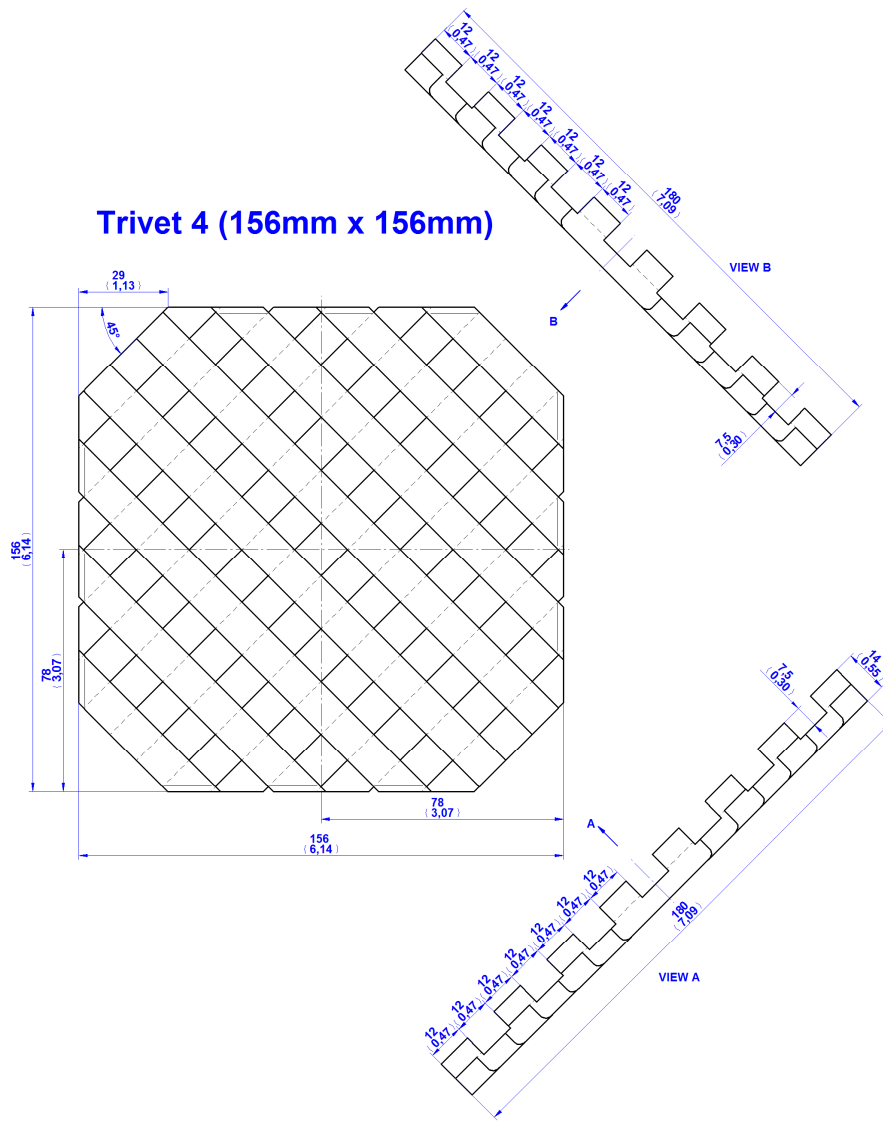
Trivet 3 (204mm x 204mm)



Waffle pattern trivet - Version 4



Waffle pattern trivet drawing - Version 4 (156mm x 156mm)



Waffle pattern trivet drawing - Version 4 (204mm x 204mm)

Trivet 4 (204mm x 204mm)

