

Wall Shelf Plan

Wall shelves are inevitable addition in each room of the home. They save space, displays things with the special meaning and value and in the same time they provide an efficient home organization.

If you need a plan to create a quality shelf, on this page we present one to help you build a wall shelf with a vintage look. An old shelf on the wall of an ethno house has served us as an idea for its design. Such shelves can be often seen, both old and new, because of their universal design that has always been “in“.



The construction is very simple and consists of two side boards (sides) between which the shelves are fastened with keyed mortise and tenon woodworking joints. These joints are not too difficult to produce, and they give the shelf a decorative and antique look. Rods were added to the two lower shelf levels to prevent things from falling off. The FRONT part was decorated by cutting simple design elements. Decorations and rods on a type of shelf like this one are not necessary, but they certainly make the shelf look nicer and also increase its functionality.

This plan can serve as a starting point for creating a different shelf according to your taste and dimensions that suit you. If you carefully study the plan, you can easily:

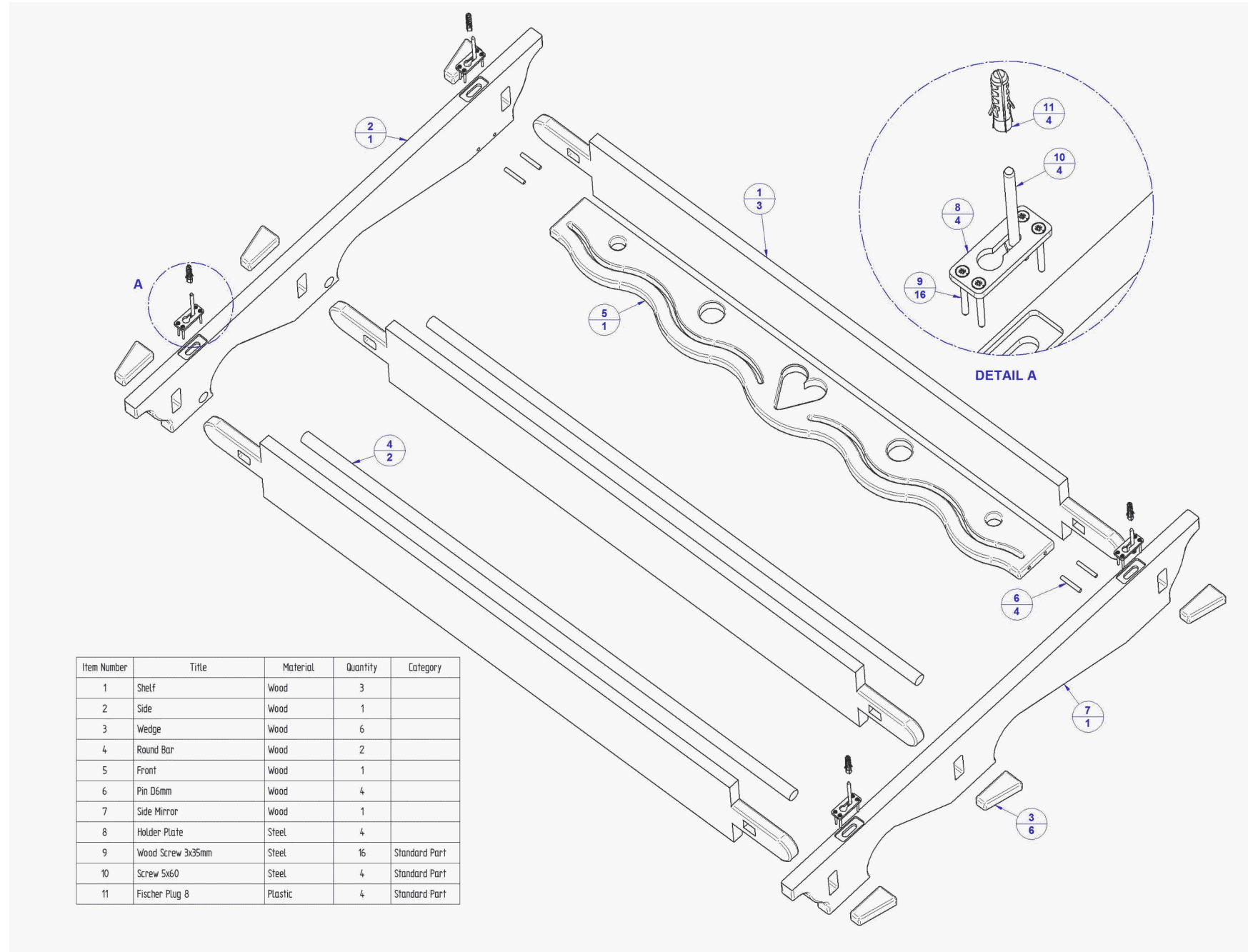
- make a wider or narrower shelf - increasing the width can lead to sagging of the shelf due to the weight of the items on it if you don't increase shelf thickness or use a better quality wood to make it from; increasing wood thickness should be handled cautiously because it can negatively affect the proportionality and aesthetics of the shelf;
- add or decrease the number of shelf levels;
- reduce or increase the vertical distance between shelves;

- increase the shelf depth;
- decorate shelves as it suits you;
- use a different way of joining the shelf to the sides

The wood you use depends on the purpose of this shelf. If you want to keep heavy objects on it, we recommend hardwood, if you don't, then softwood is also fine. You can fix the wall shelf in various ways, and we have suggested just one in our plan .

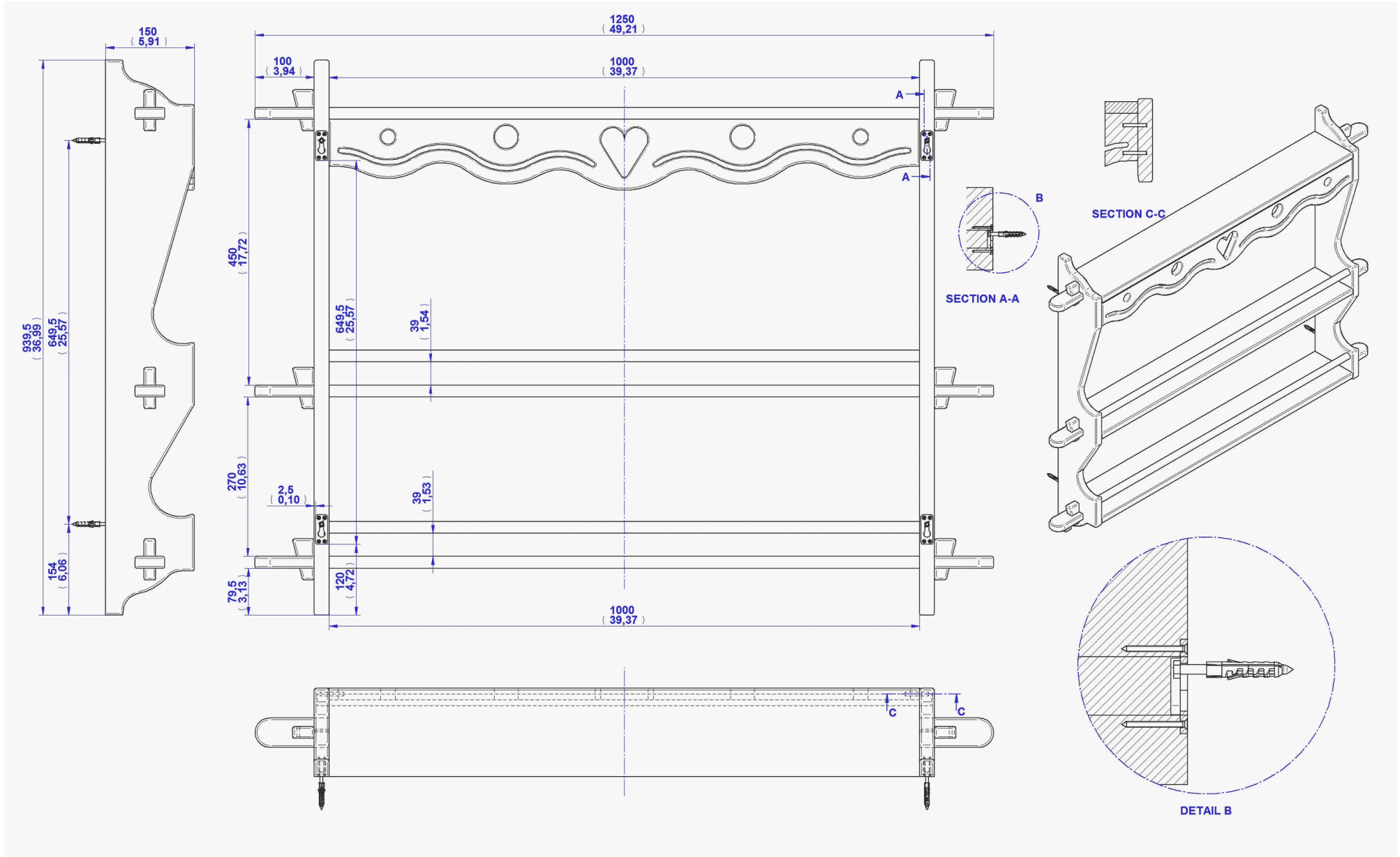
As you can see in the picture, the shelf is nice looking and stable, and it possesses antique charm and a functionality that has been tested throughout history. All this guarantees that the making of such a shelf is cost-effective. You can place it in any room in the house, and the only disadvantage is that it matches only classic, vintage design of other surrounding furniture pieces.

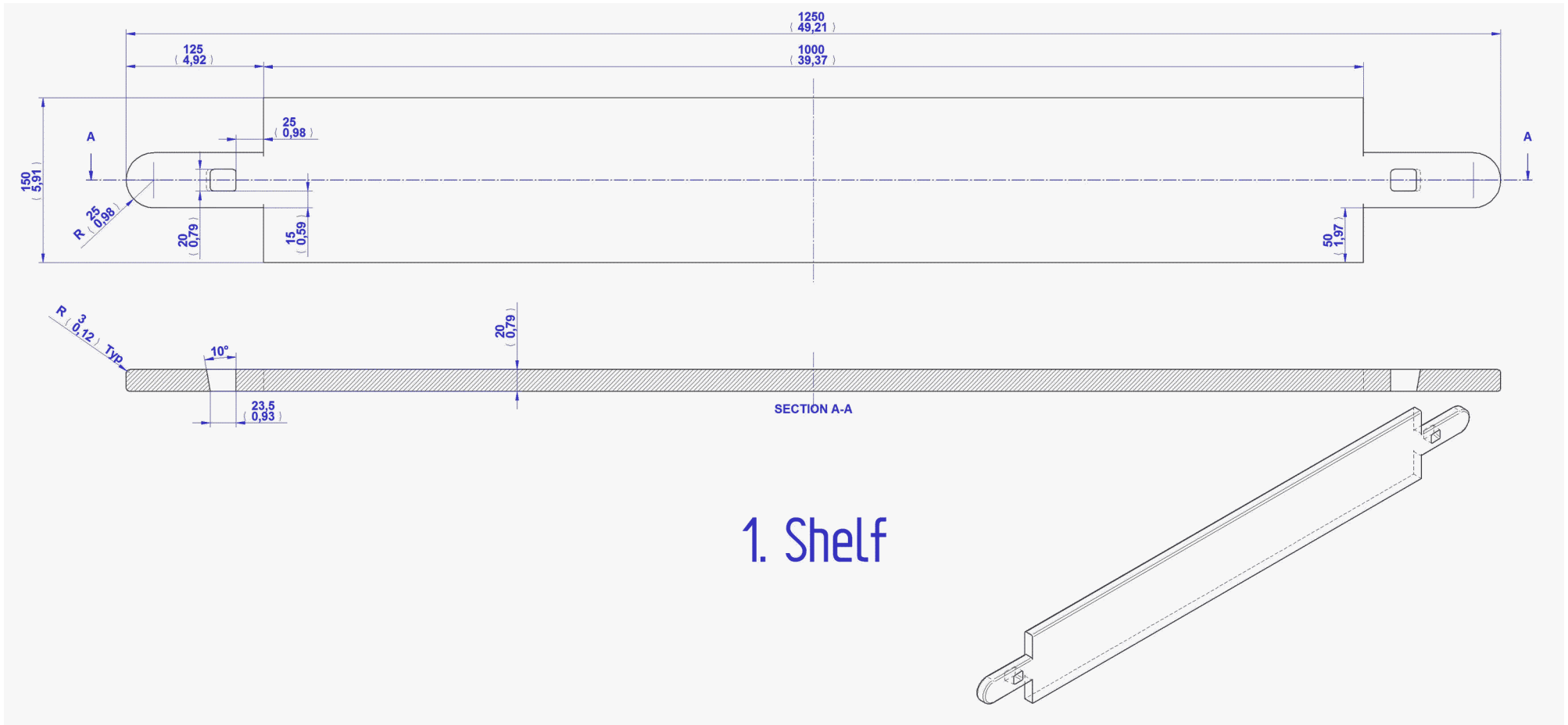
Parts list



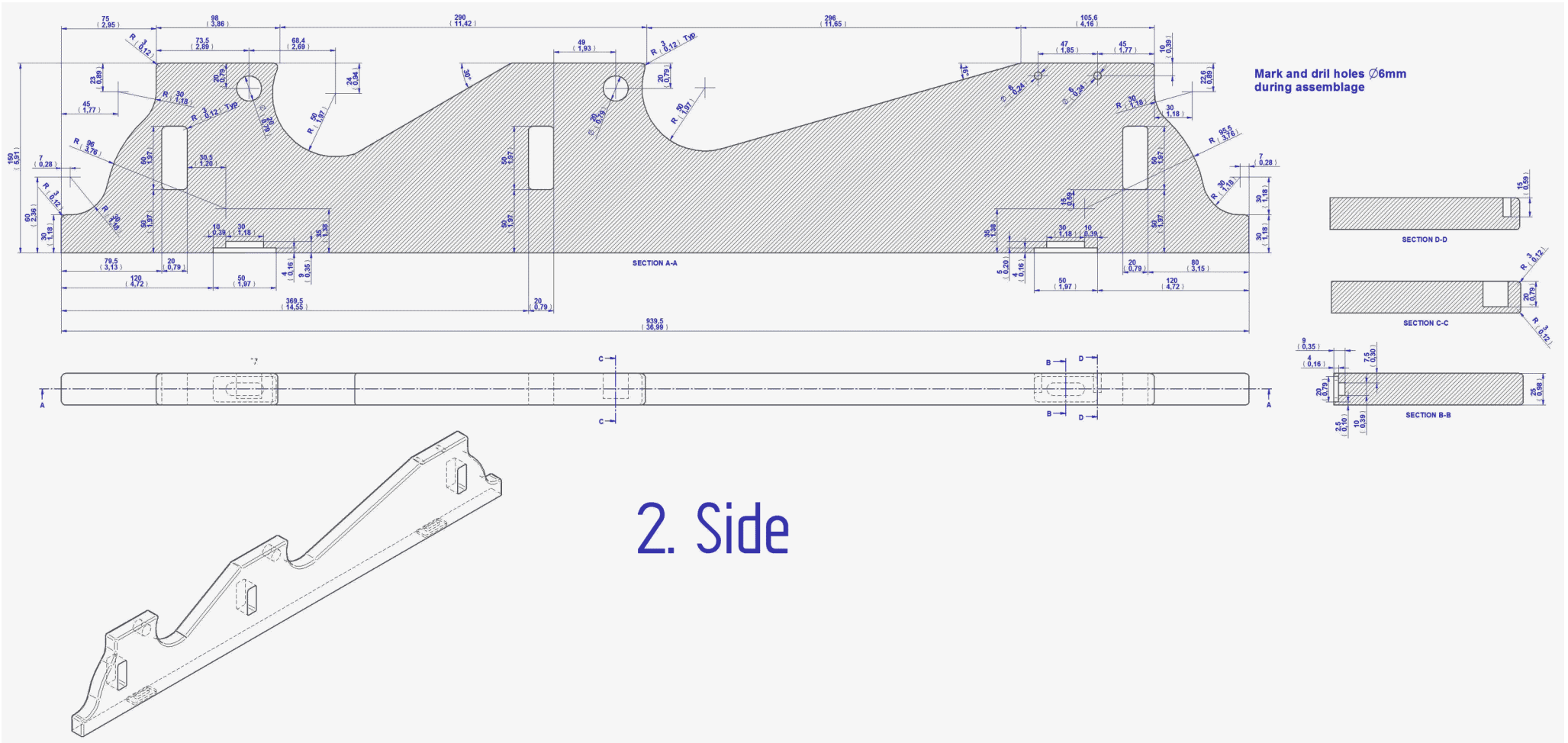
Item Number	Title	Material	Quantity	Category
1	Shelf	Wood	3	
2	Side	Wood	1	
3	Wedge	Wood	6	
4	Round Bar	Wood	2	
5	Front	Wood	1	
6	Pin D6mm	Wood	4	
7	Side Mirror	Wood	1	
8	Holder Plate	Steel	4	
9	Wood Screw 3x35mm	Steel	16	Standard Part
10	Screw 5x60	Steel	4	Standard Part
11	Fischer Plug 8	Plastic	4	Standard Part

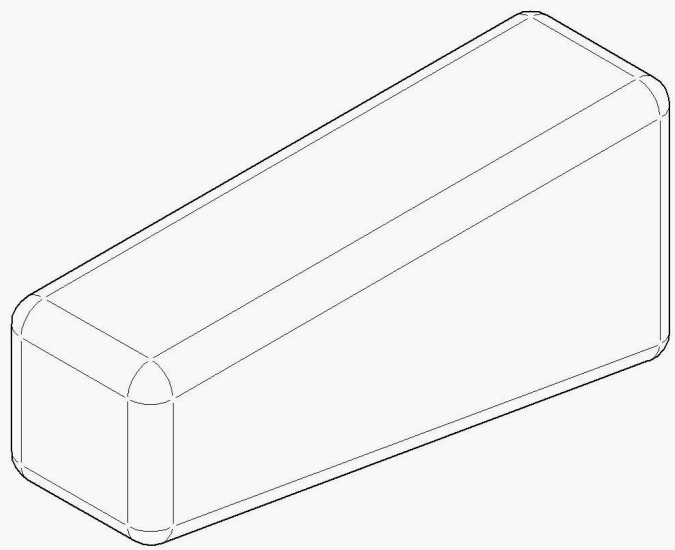
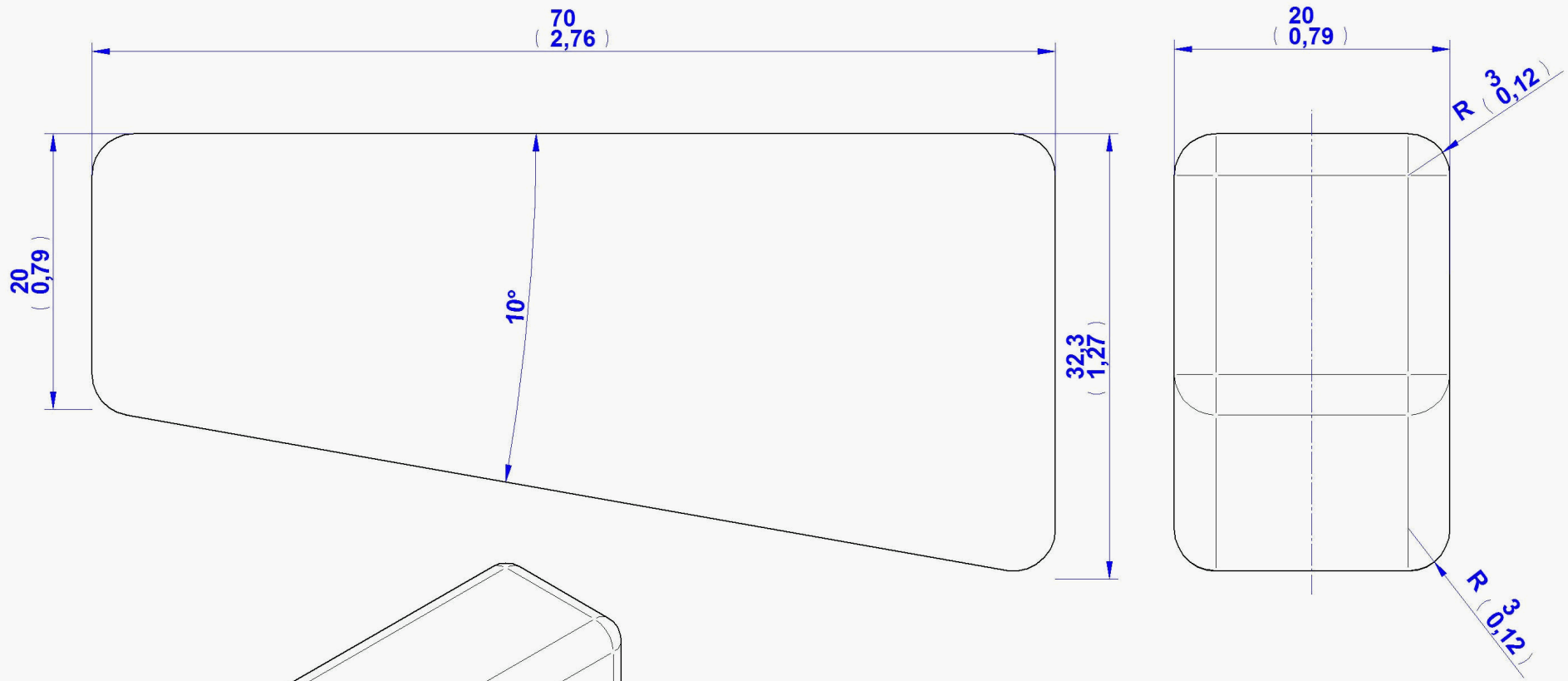
Assembly Drawing



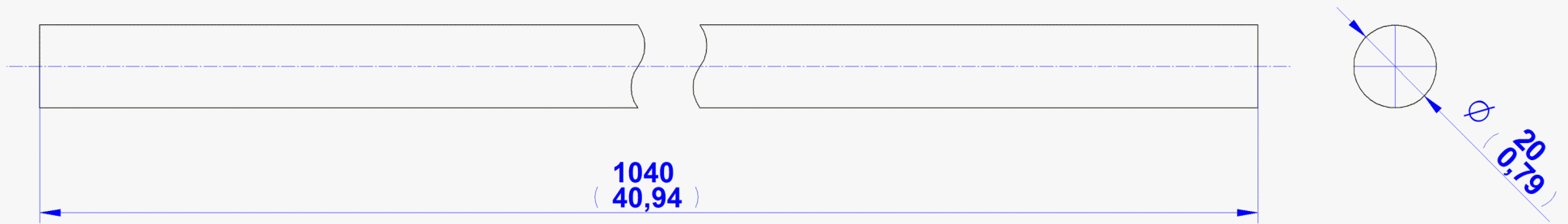


1. Shelf

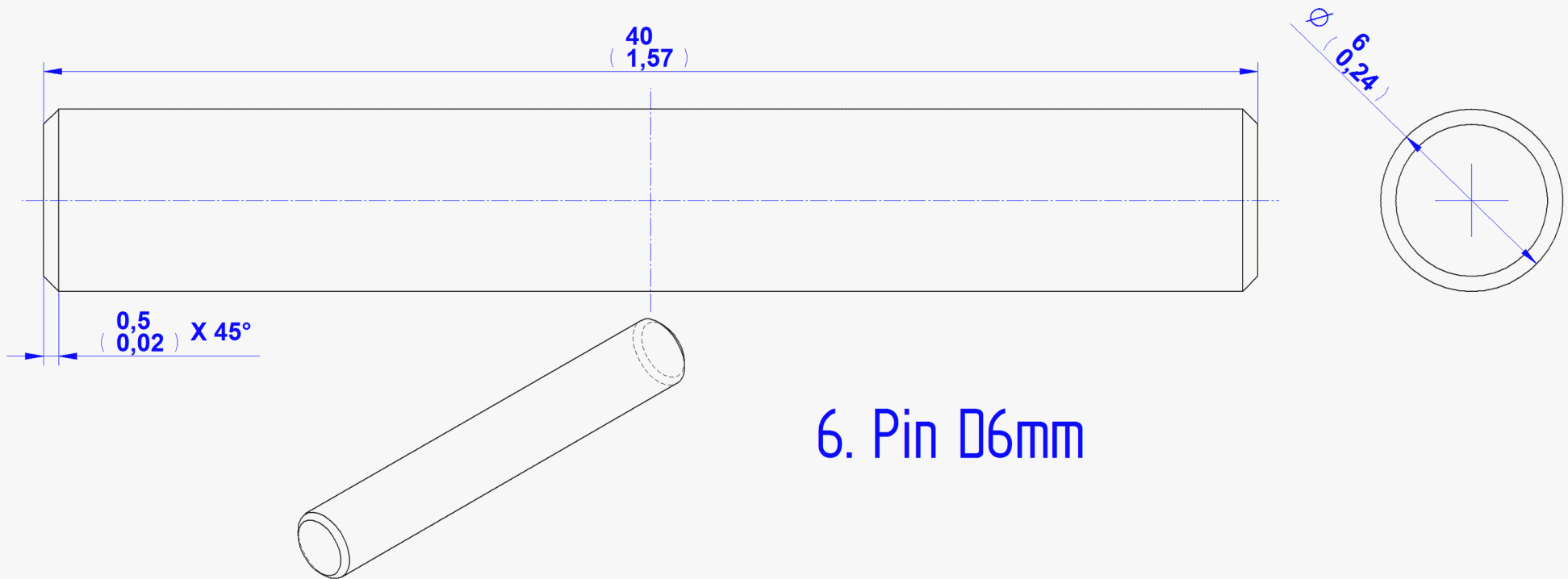




3. Wedge

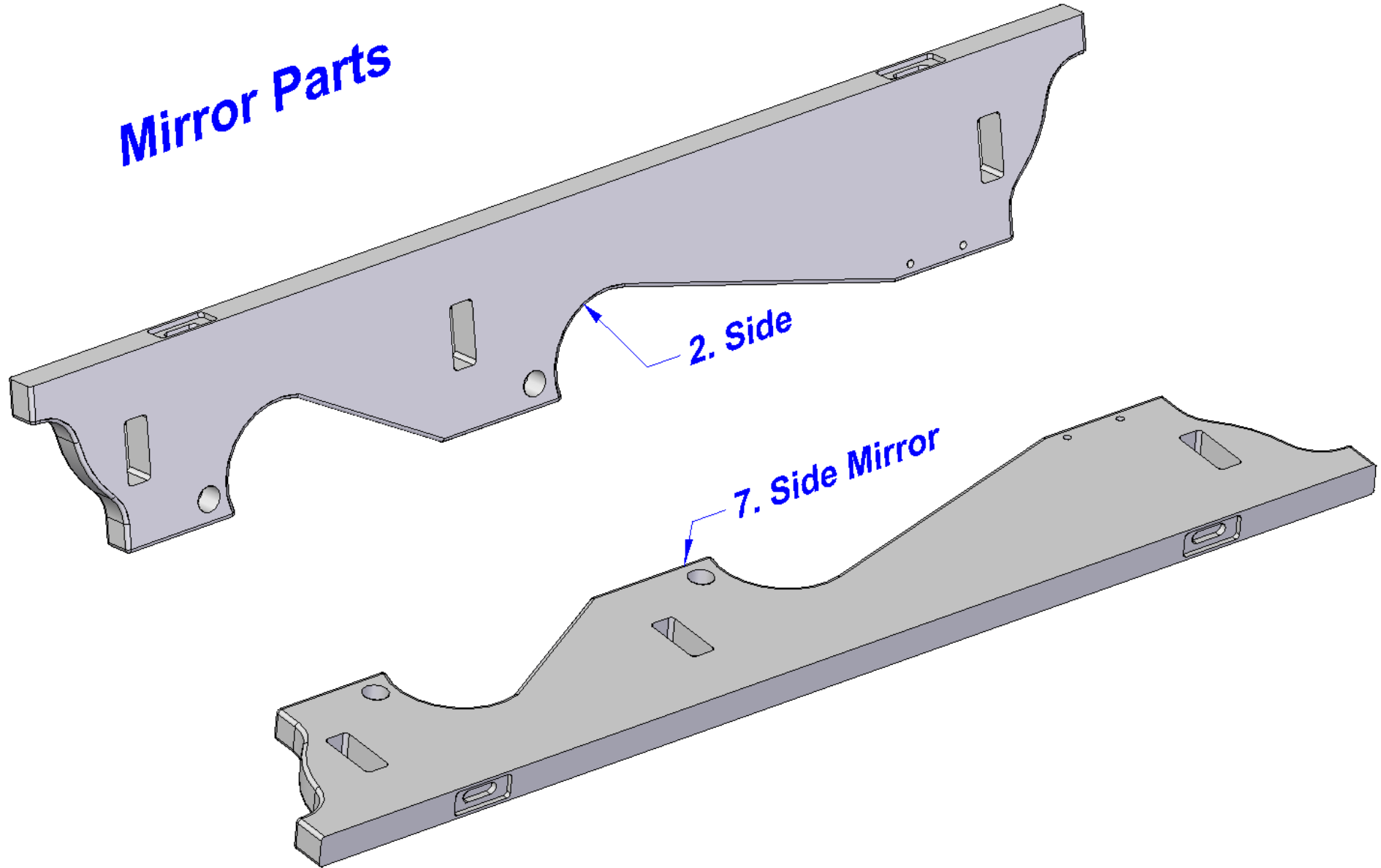


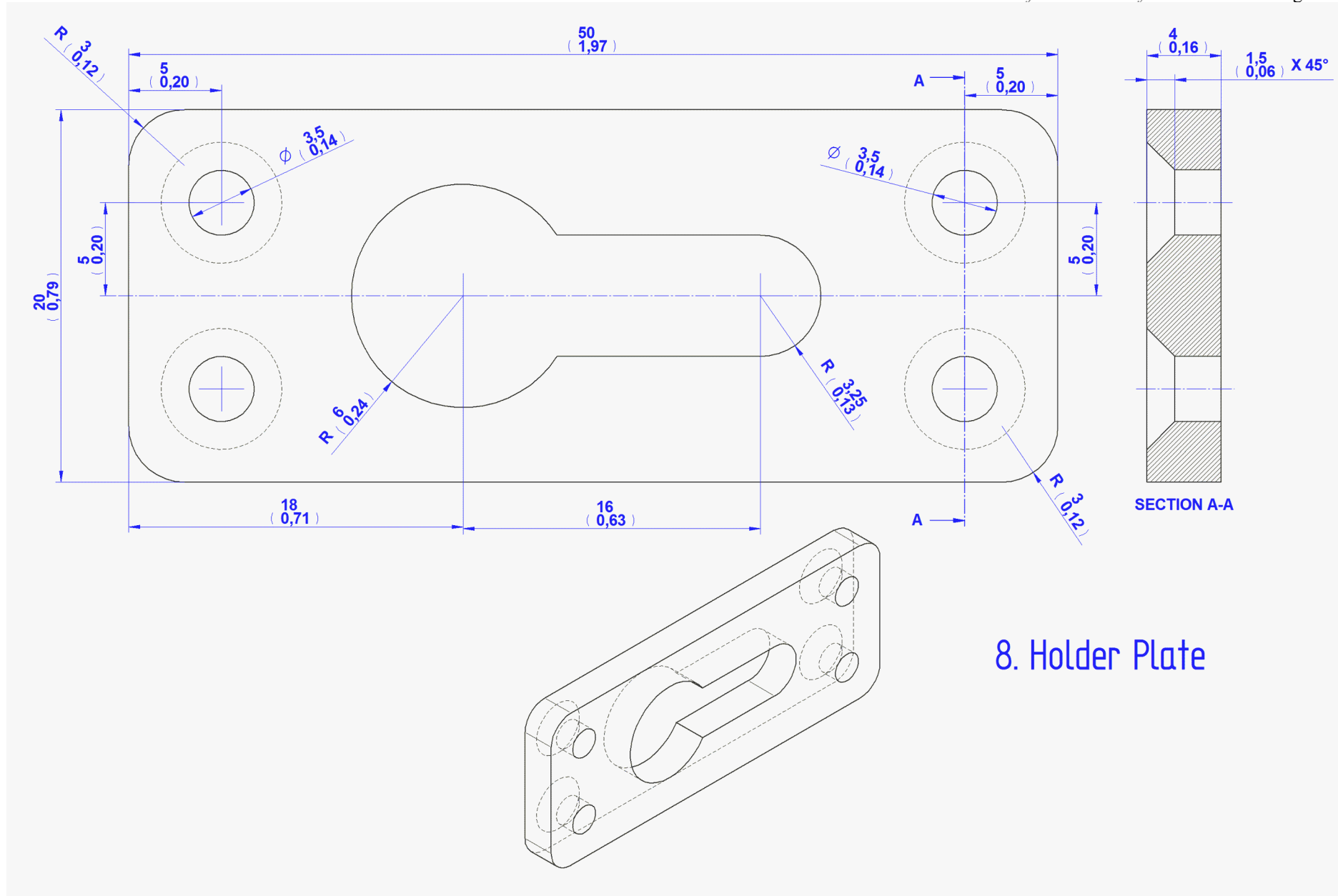
4. Round Bar



6. Pin Ø6mm

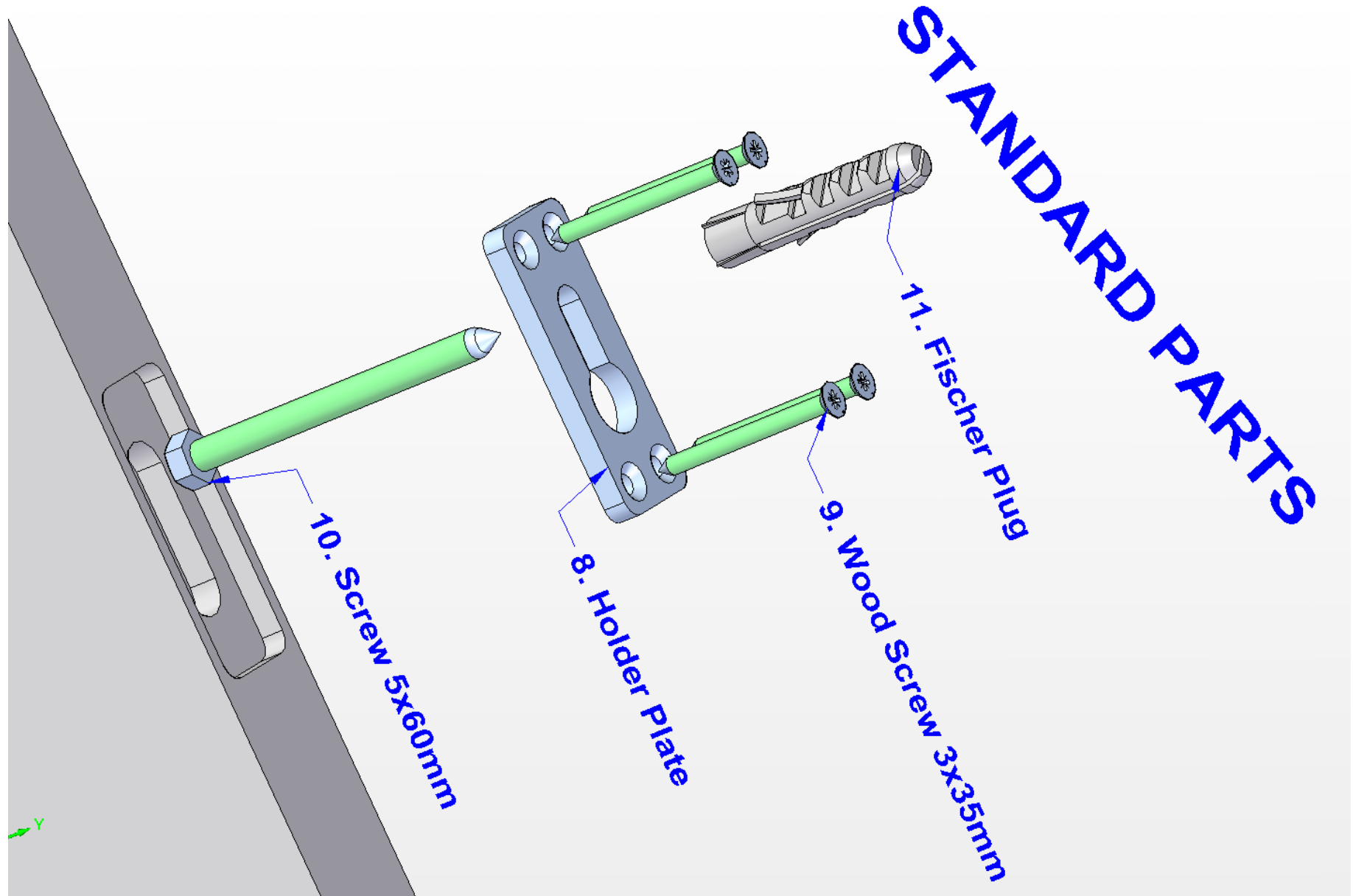
Mirror Parts





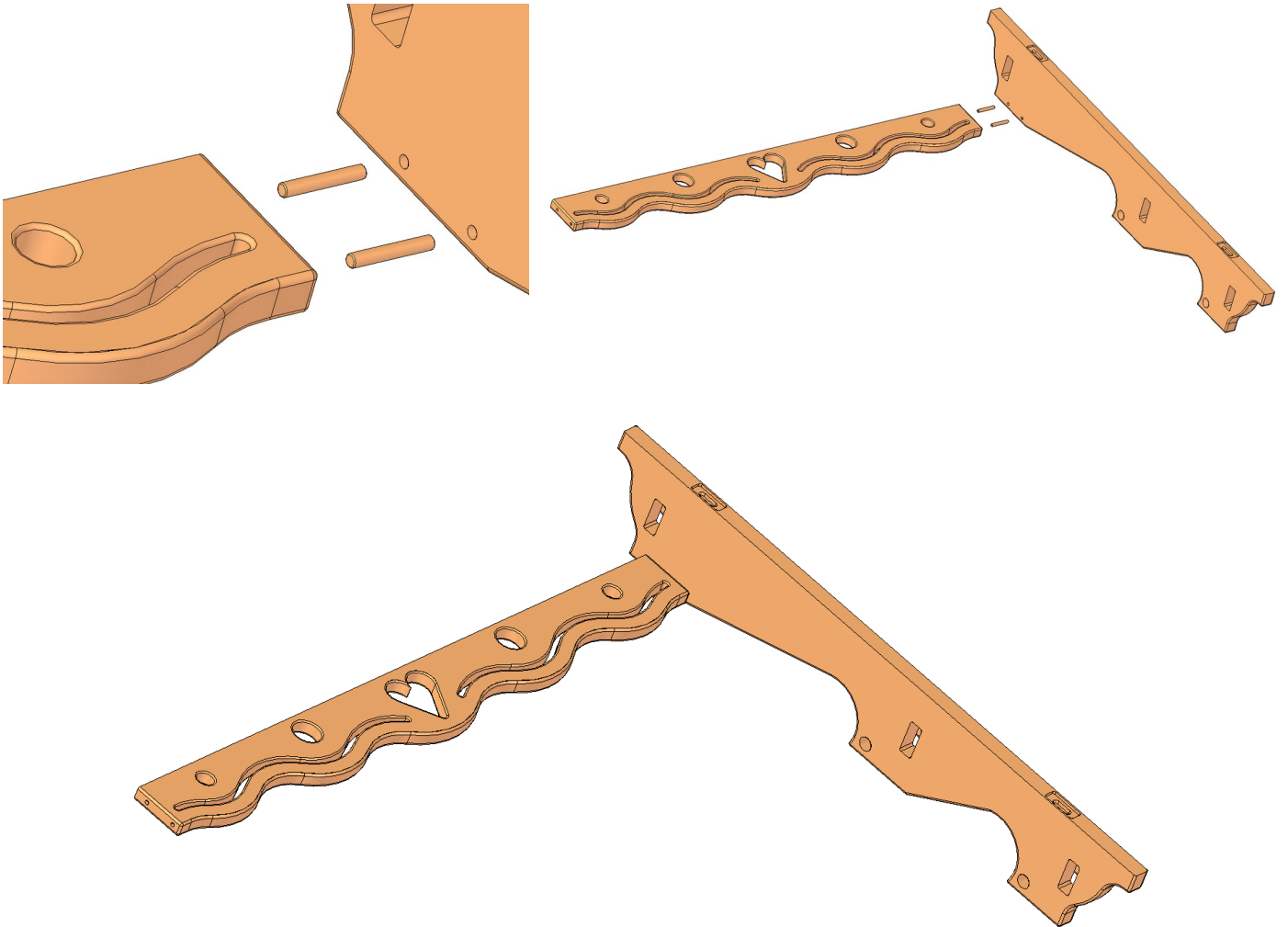
8. Holder Plate

Standard Parts

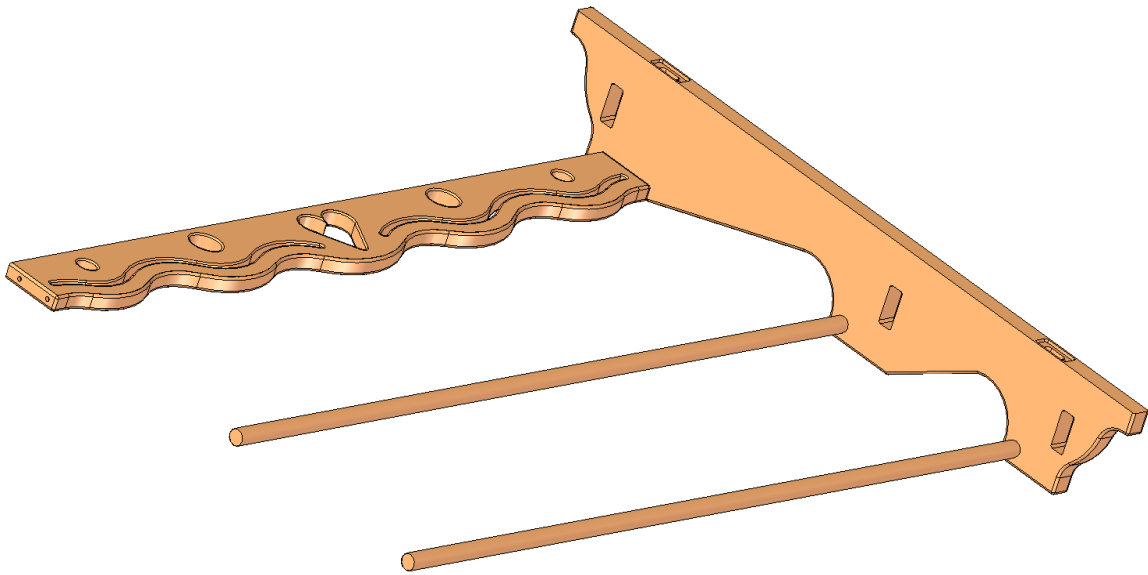
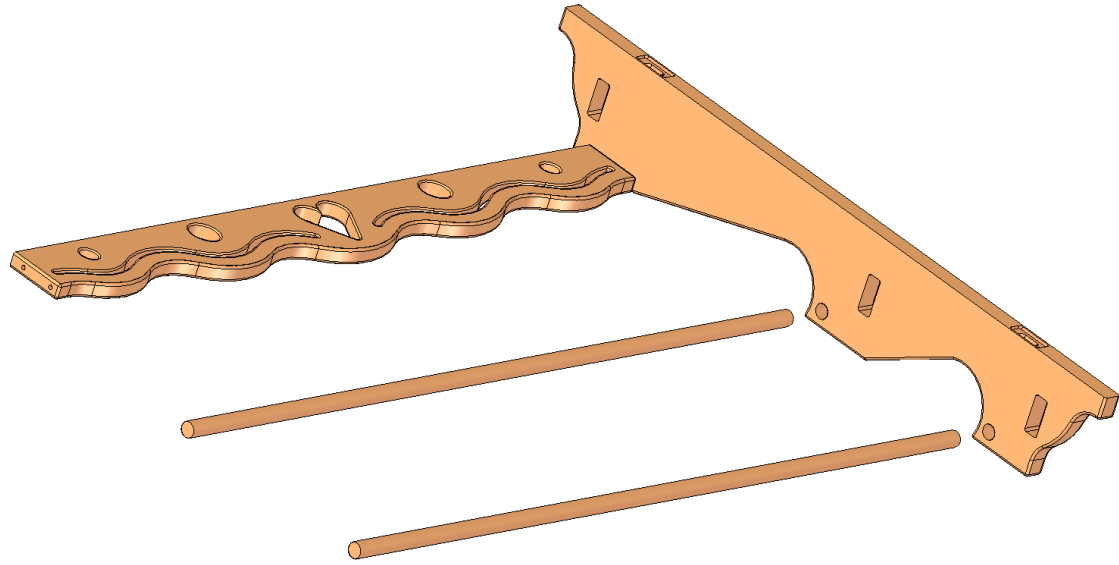


Assemblage images

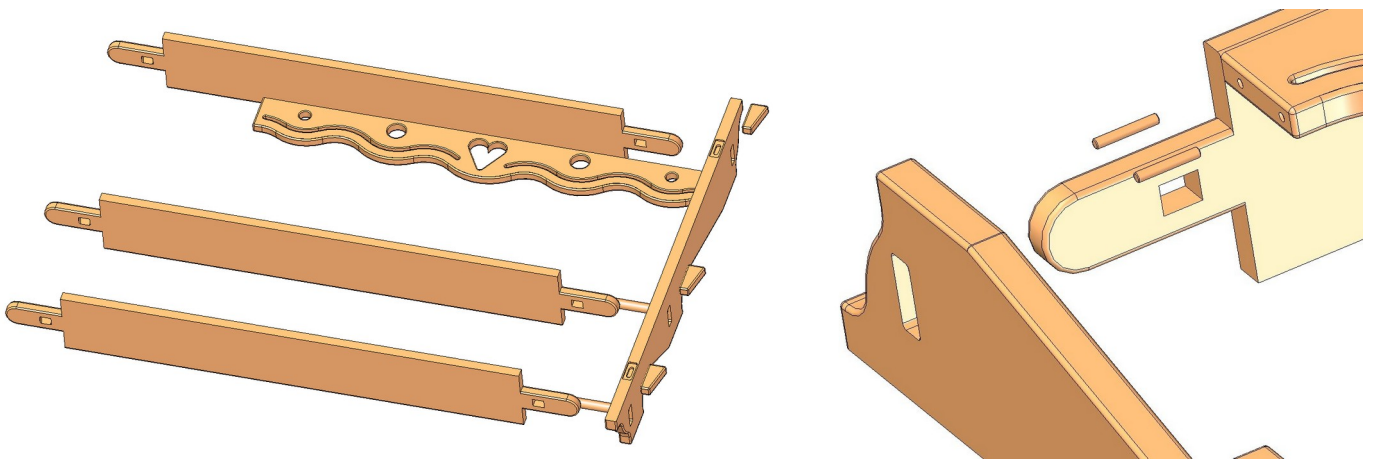
1.

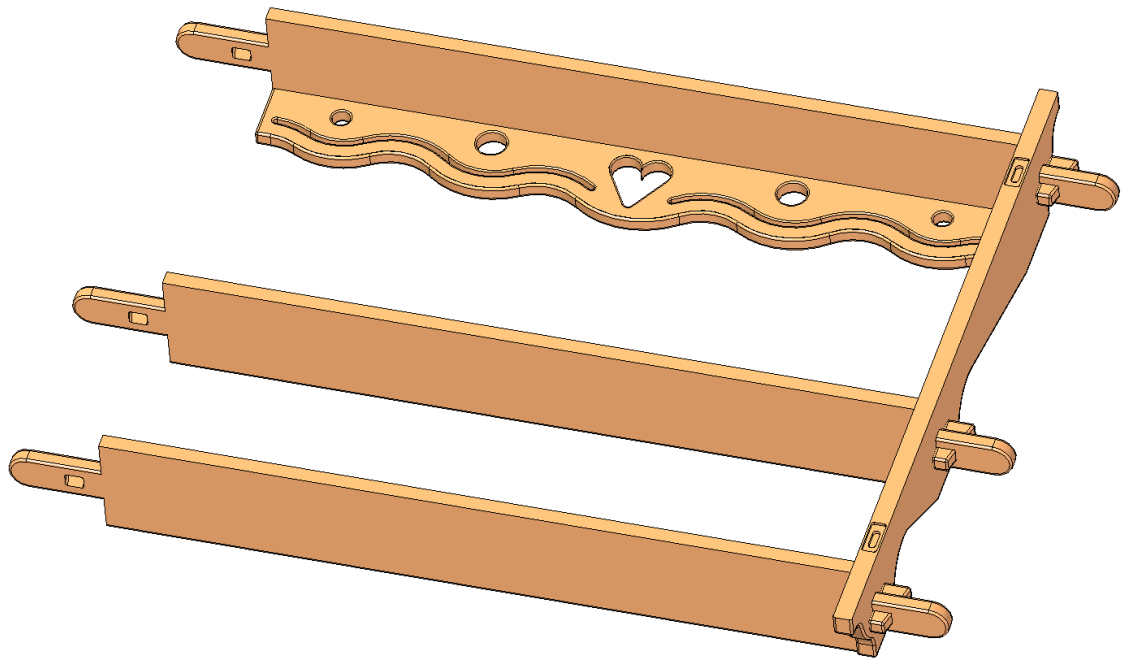


2.

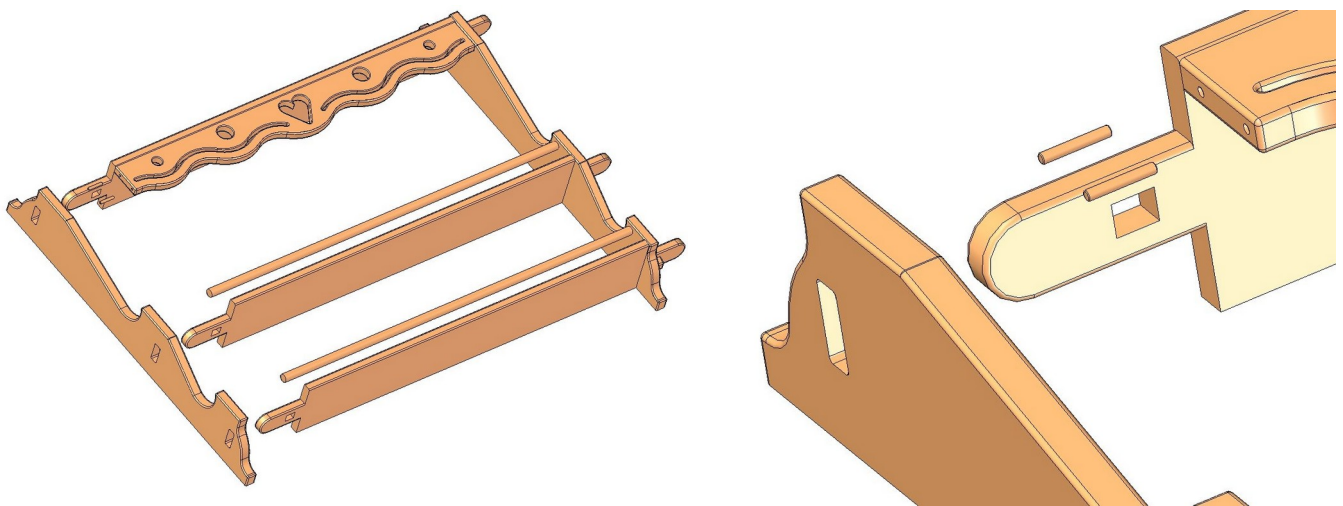


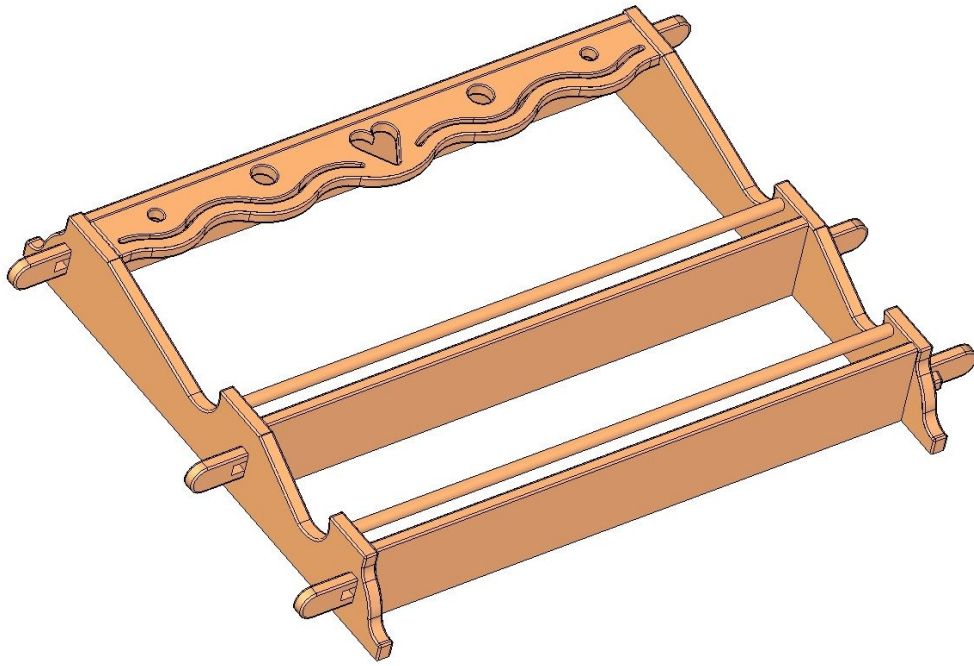
3.



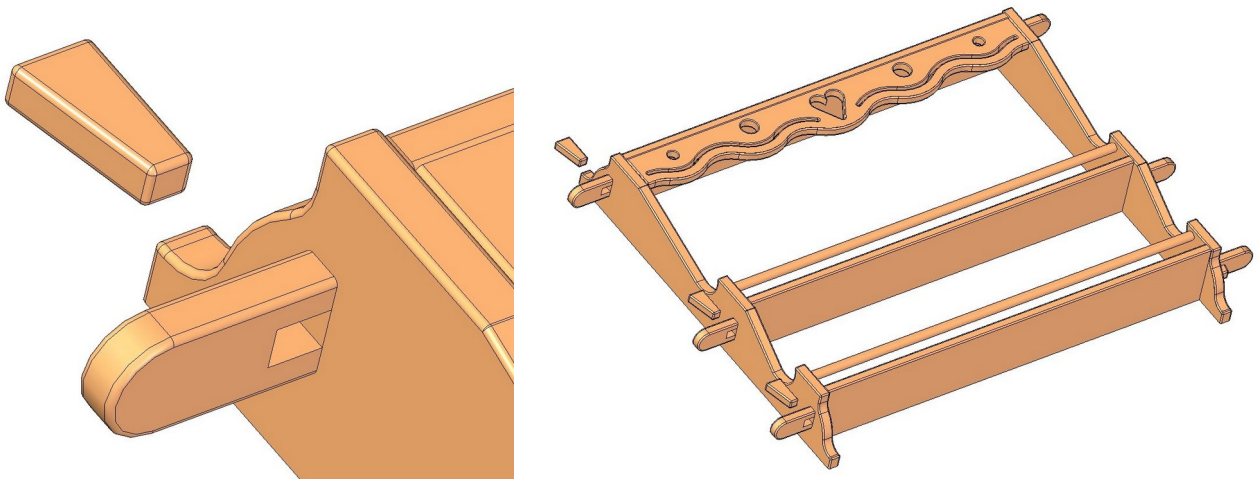


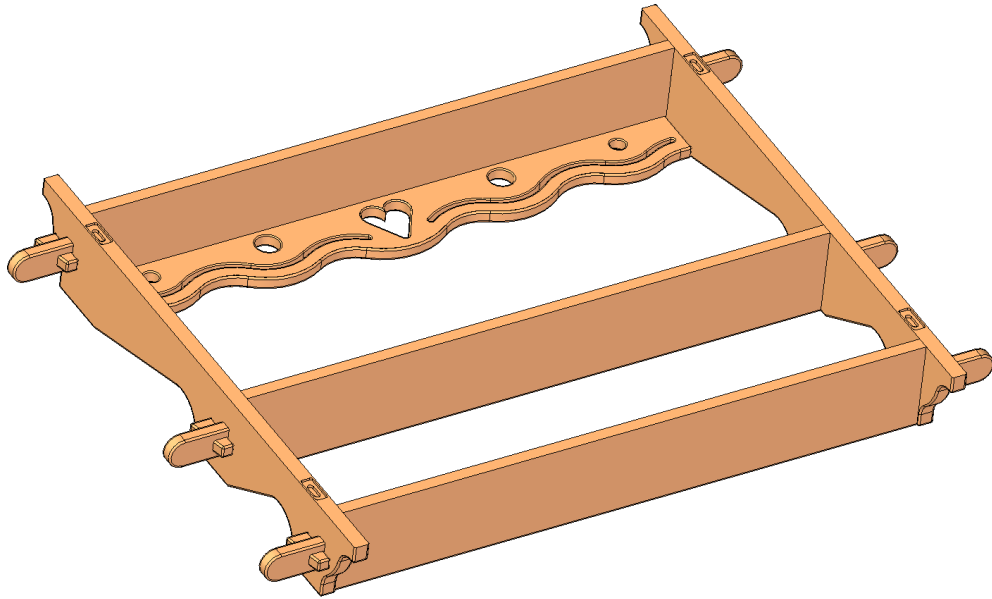
4.



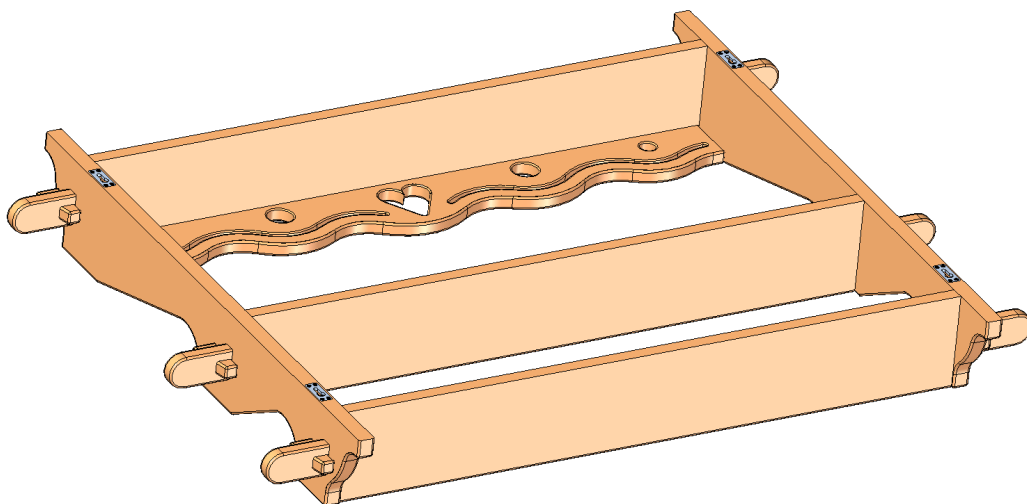
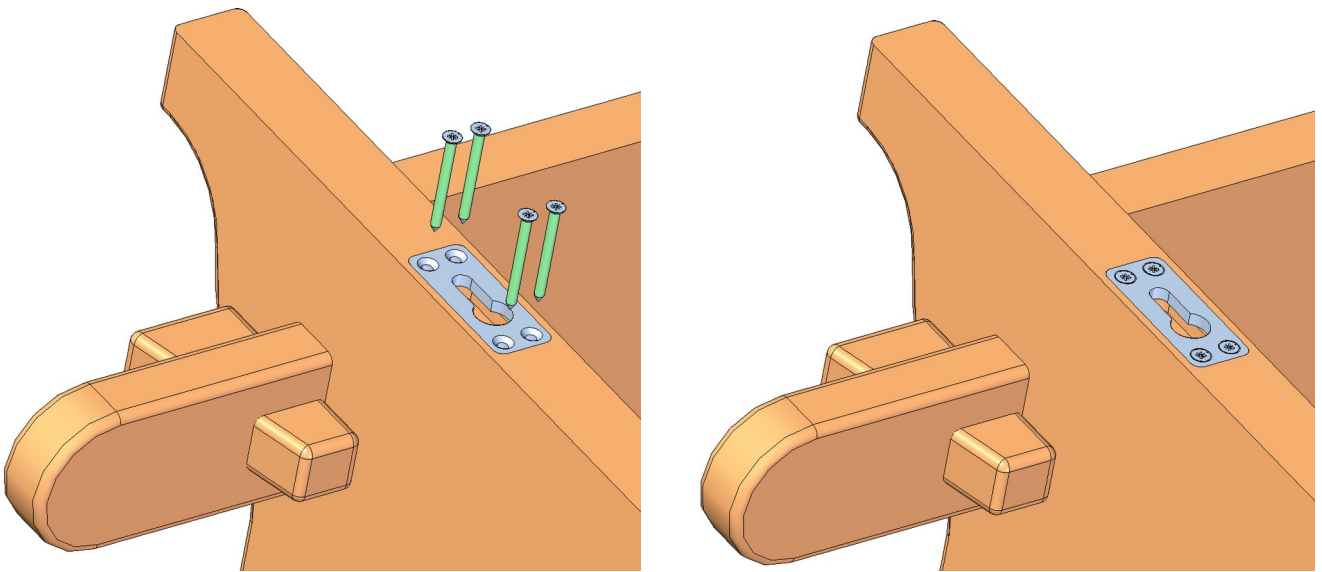


5.





6.



7.

