

## Wheelchair accessible picnic table



In this free metalworking project you can find drawings that can help you make a 'wheelchair accessible picnic table' (see picture). The construction is made of metal, and the tabletop and seat are made of wood. The table construction is made from bent metal pipes interconnected with screws. The tabletop and seat are attached to the structure by means of fittings and fasteners.

Based on the above construction description, you can easily conclude that this picnic table can be folded very quickly and put away some place convenient when you don't need it. The table design is tailored to people who are wheelchair bound, which can be seen by the extended tabletop on one side of the table. Of course, you can easily adjust the table to fit two persons in wheelchairs by extending the other side of the tabletop. Since most of the work needed involves cutting, drilling and surface protection, the picnic

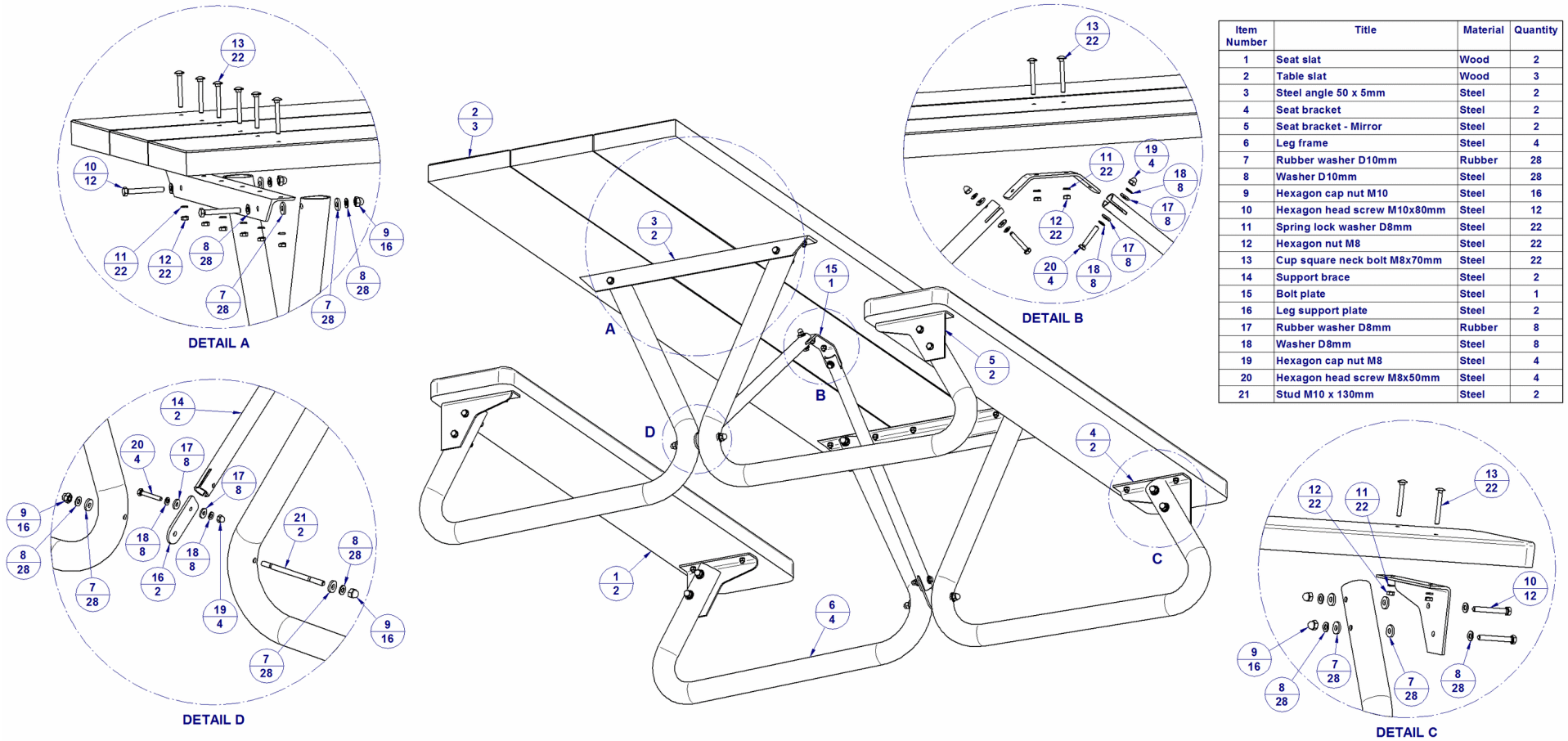
table according to this plan can also be built in a less equipped workshop. Your biggest problem may be bending the pipes. If you want to have a quality metal picnic table, but do not have a metal pipe bending machine, we recommend bending the pipes of the required diameter in a fully-equipped workshop. You can use steel pipes, but then, due to their weight and the weight of the boards forming the seat and the tabletop, this table will be quite heavy. A much better option is to use aluminum alloy pipes. This will make the table a little lighter, but in either case it will take at least two people to move it from one place to another.

All table parts, both wooden and metal, need to be protected from the elements, and during winter we recommend that the table is disassembled and stored away in a dry and sheltered place.

Picnic tables like this are most commonly seen in parks, at gas stations and the like, but that does not mean that they won't serve you well in your garden or yard, on the contrary! If they can withstand very intense use in public places for years, the one you make well and of good quality will last for decades. Even if a part breaks over time, as the table is foldable, you will be able to easily replace it with a new one.

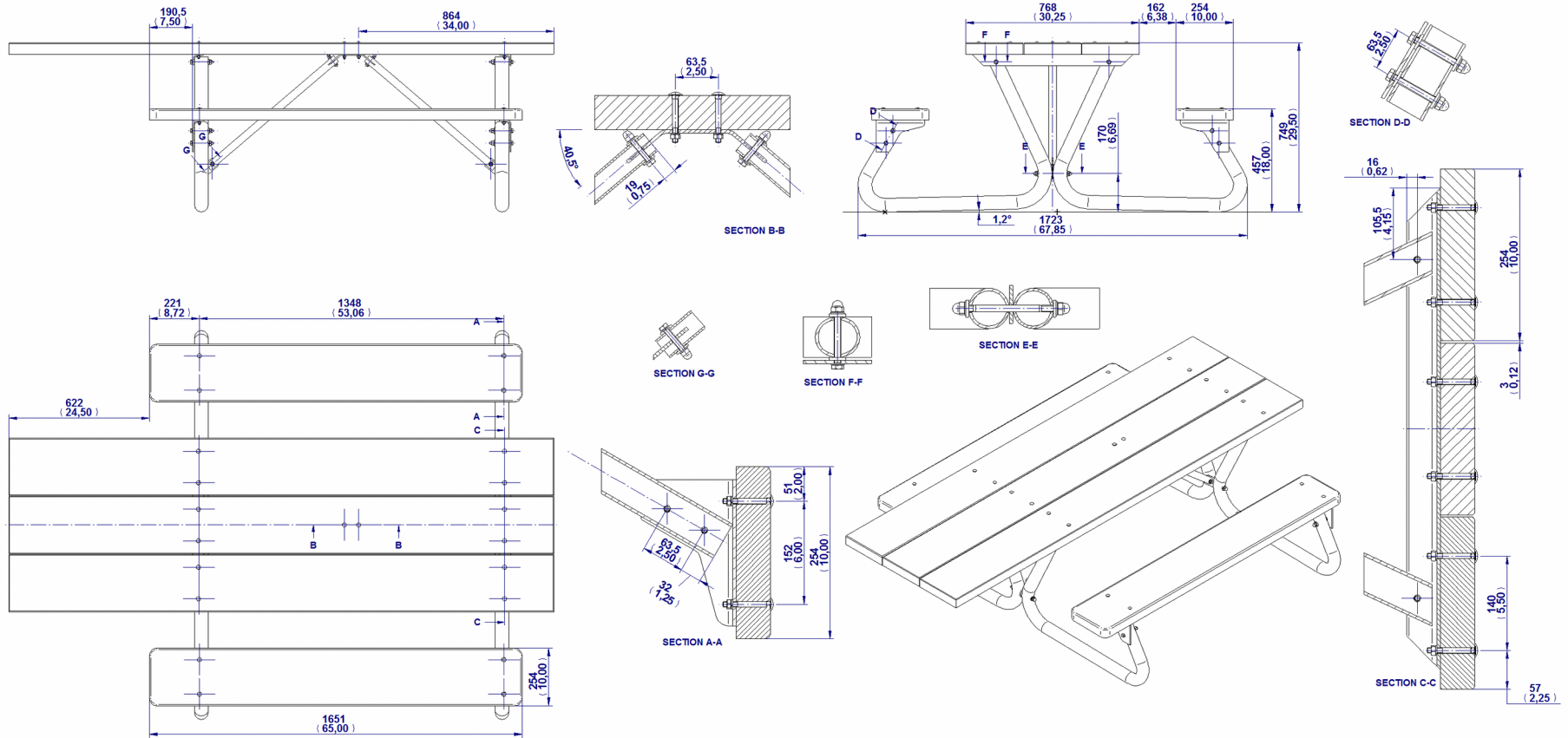
This table can comfortably seat 4 people and 1 person in a wheelchair. The tabletop is big enough for serving drinks and meals. Depending on their size, a maximum of six people can sit at it, but then there will be less comfort and there won't be that much food serving space.

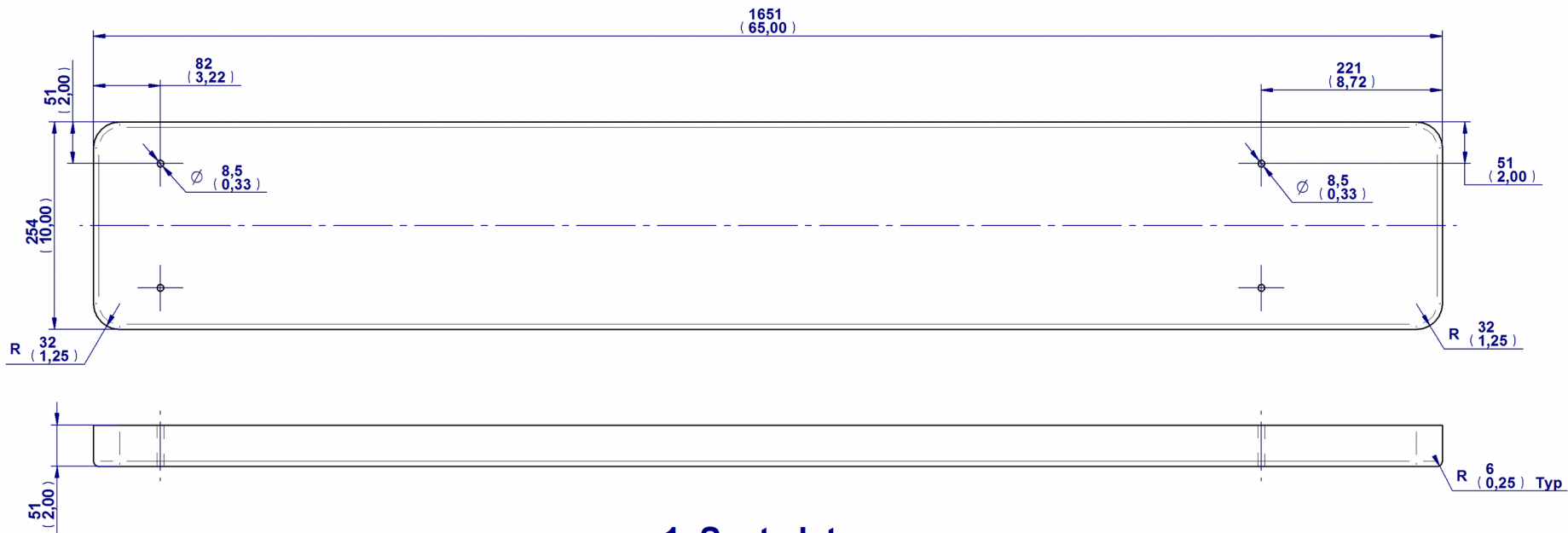
## Wheelchair accessible picnic table - Parts list



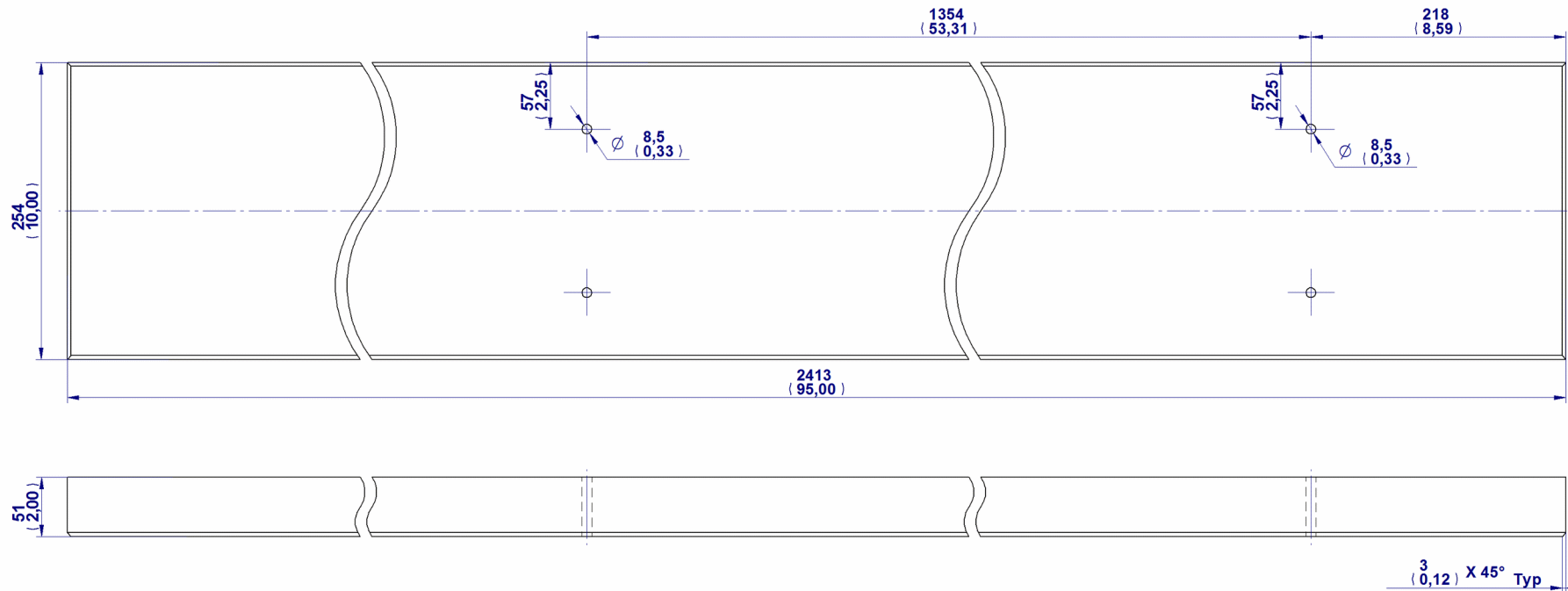
Item Number	Title	Material	Quantity
1	Seat slat	Wood	2
2	Table slat	Wood	3
3	Steel angle 50 x 5mm	Steel	2
4	Seat bracket	Steel	2
5	Seat bracket - Mirror	Steel	2
6	Leg frame	Steel	4
7	Rubber washer D10mm	Rubber	28
8	Washer D10mm	Steel	28
9	Hexagon cap nut M10	Steel	16
10	Hexagon head screw M10x80mm	Steel	12
11	Spring lock washer D8mm	Steel	22
12	Hexagon nut M8	Steel	22
13	Cup square neck bolt M8x70mm	Steel	22
14	Support brace	Steel	2
15	Bolt plate	Steel	1
16	Leg support plate	Steel	2
17	Rubber washer D8mm	Rubber	8
18	Washer D8mm	Steel	8
19	Hexagon cap nut M8	Steel	4
20	Hexagon head screw M8x50mm	Steel	4
21	Stud M10 x 130mm	Steel	2

### Wheelchair accessible picnic table - Assembly 2D drawings

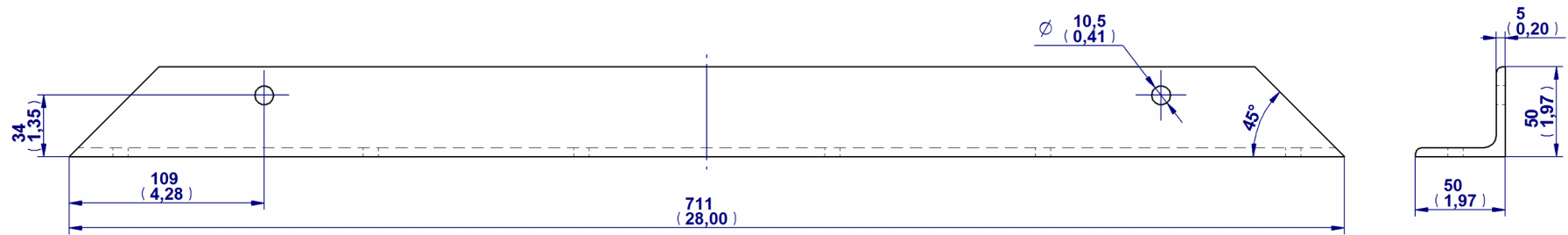




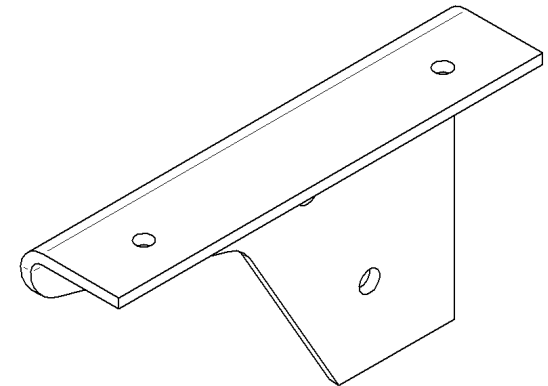
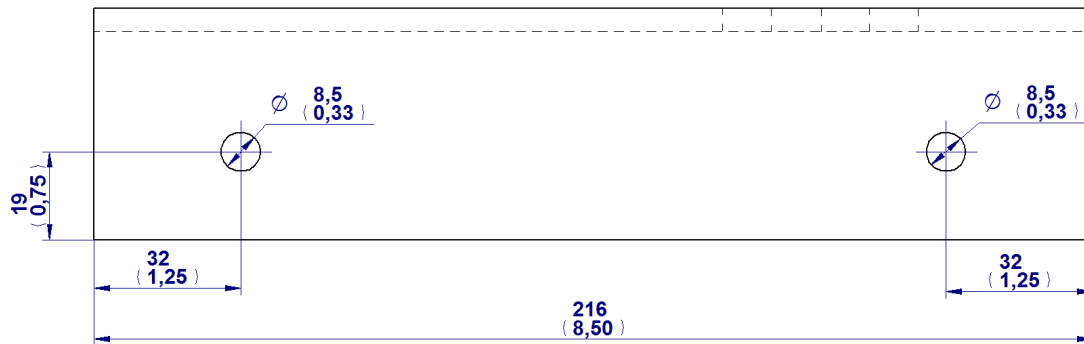
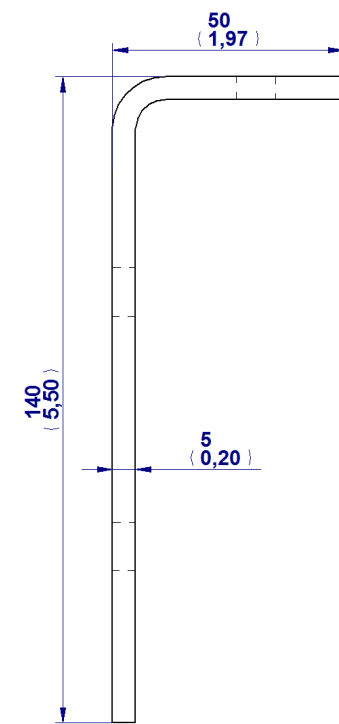
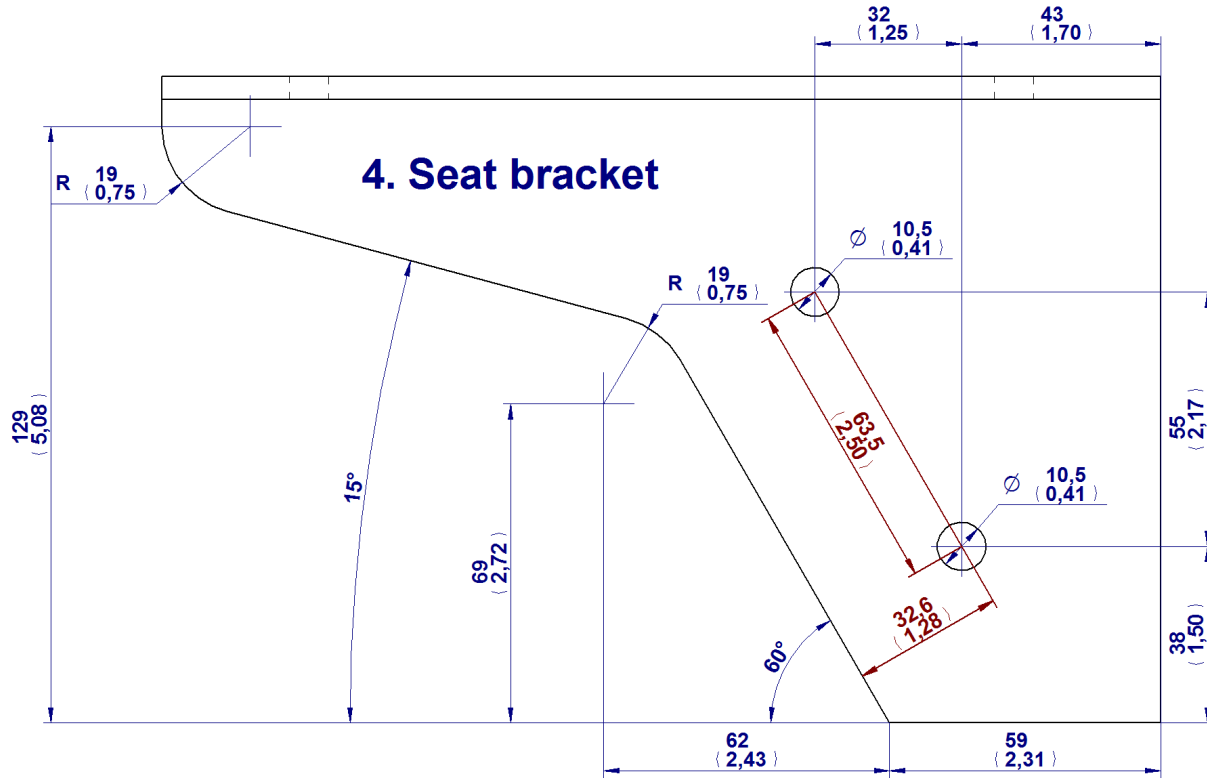
**1. Seat slat**



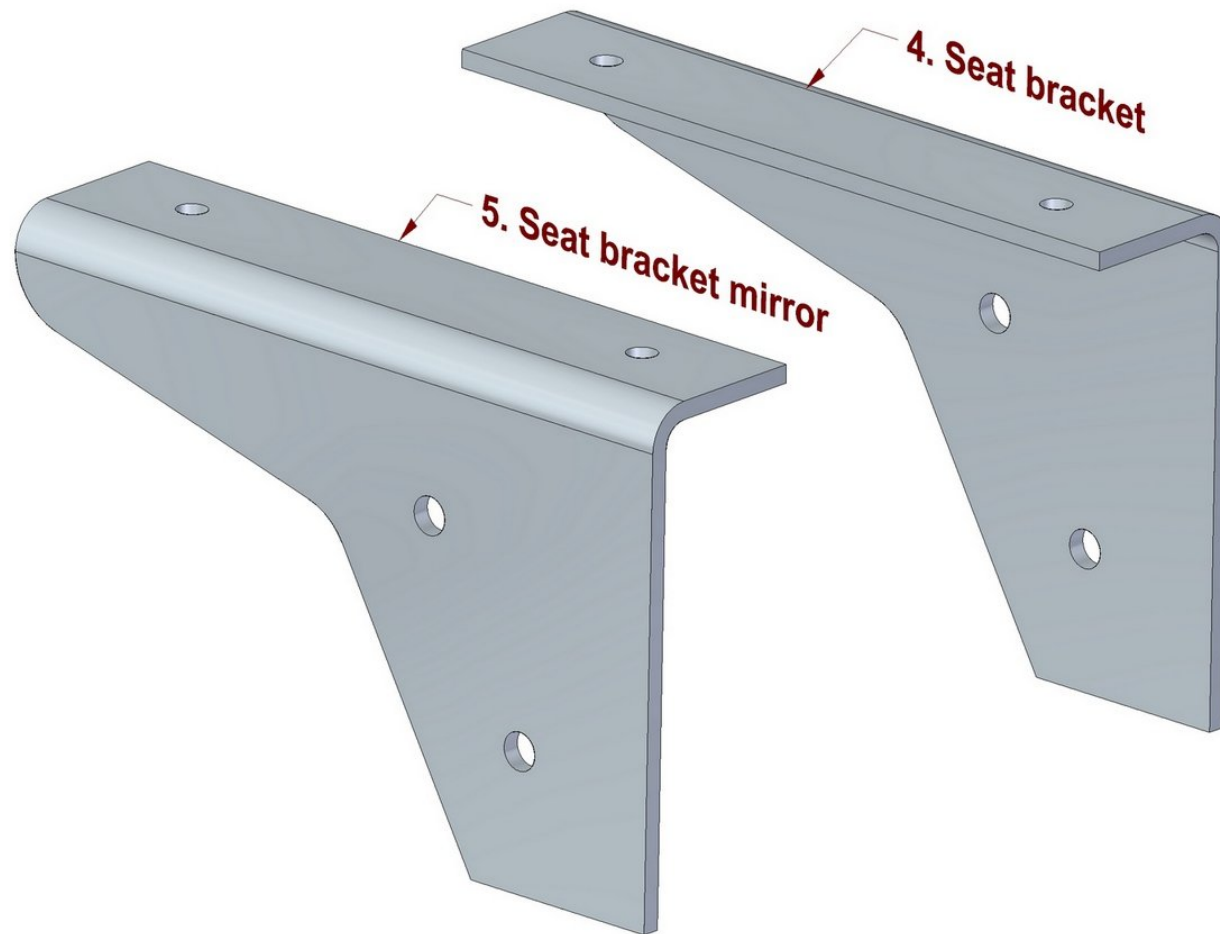
**2. Table slat**

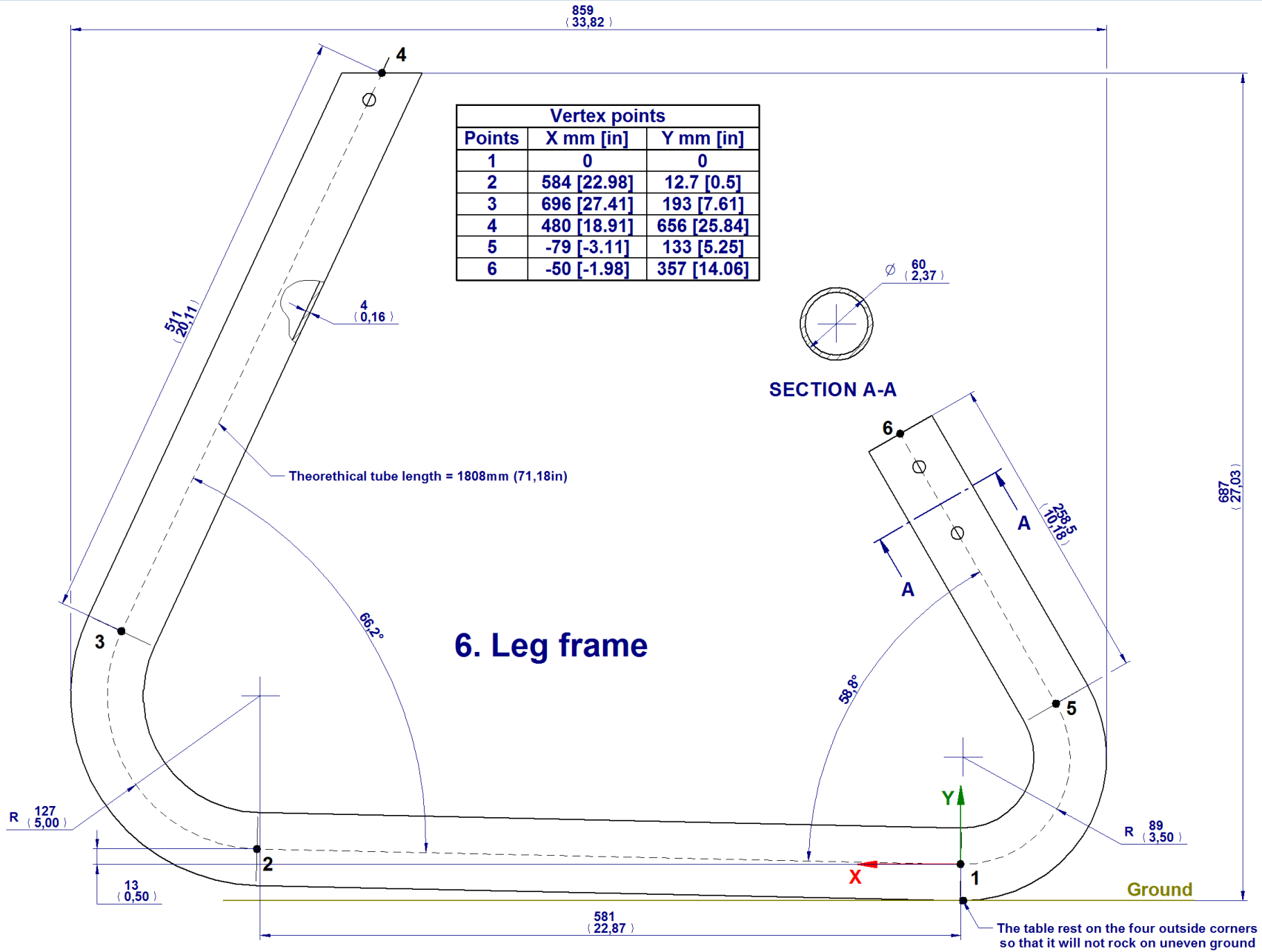


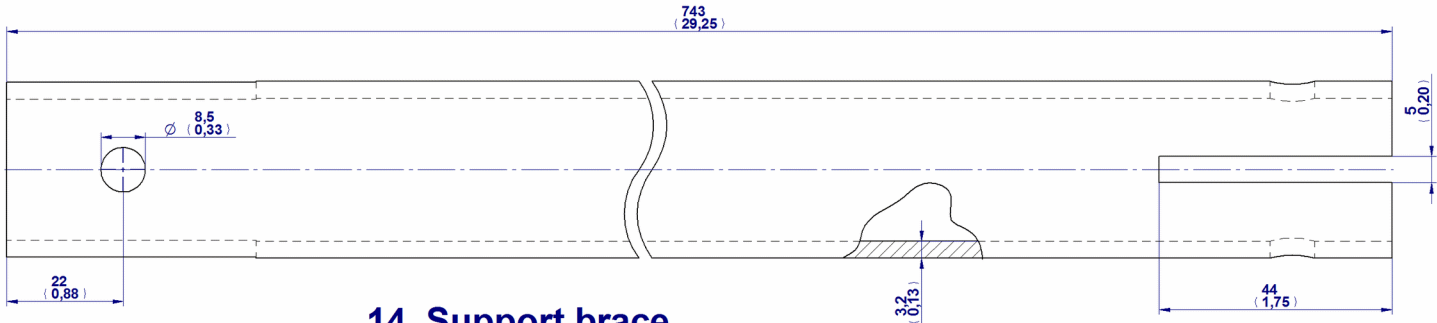
**3. Steel angle 50 x 5mm**



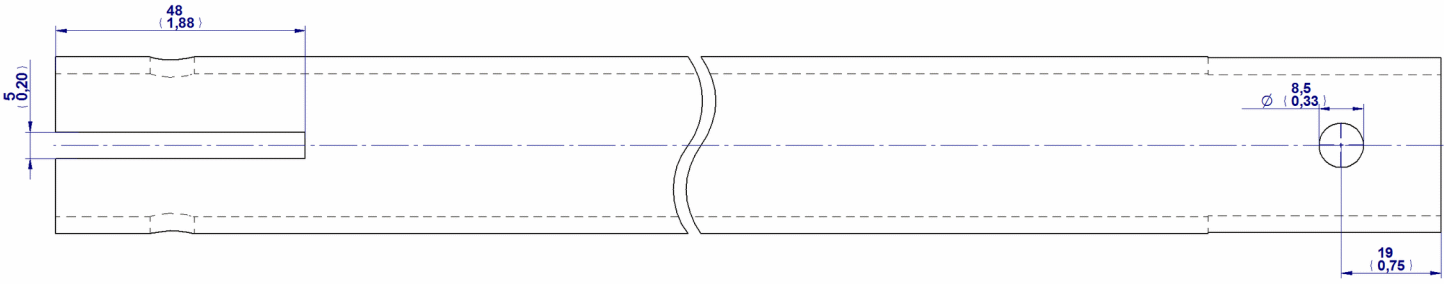
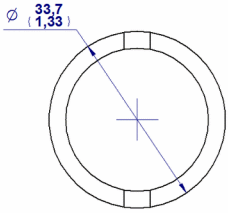








14. Support brace



### 15. Bolt plate

