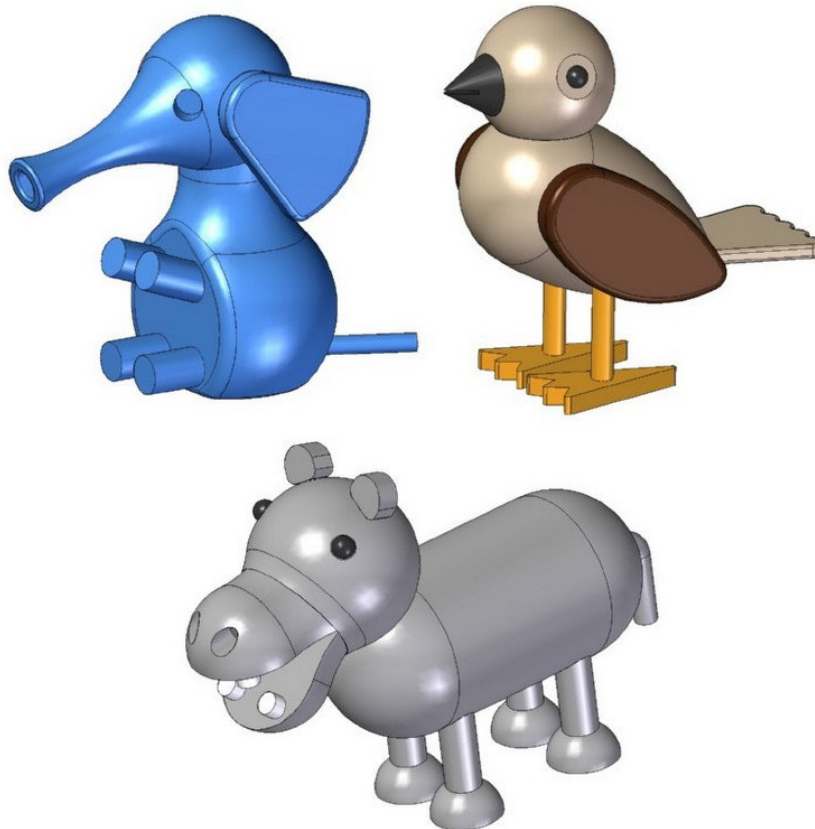


Wooden animal figurines plans

Here you can download plans for wooden animal figurines. Within the plans, there are drawings with all the dimensions and views that will help you make these animal figurines i.e. those representing the sparrow, the elephant and the hippopotamus. The idea for their design was derived from the animal figurines by the famous Danish designer Gunnar Flørning. Our animal figurines can be used as decoration or children's toys. Because of their small size they are not recommended for children under 3 years of age. The dimensions of individual figurines and their parts are provided in each plan and if you like, you can easily customize the look and dimensions of any of them. Most parts can be made by turning, but all of them can definitely be made by whittling and in this case, the figurines will get a rustic appearance of hand-carved wood. Our animal figurines are very simple and the drawings within the plans show the dimensions and method of assembly. They can be painted with wood stain, which could be a very interesting task for school children as well. Certain figurine elements, such as the eyes and the like, can be completely excluded from the plan and merely painted afterwards. This construction principle can be applied to making figurines of various other animals, too.

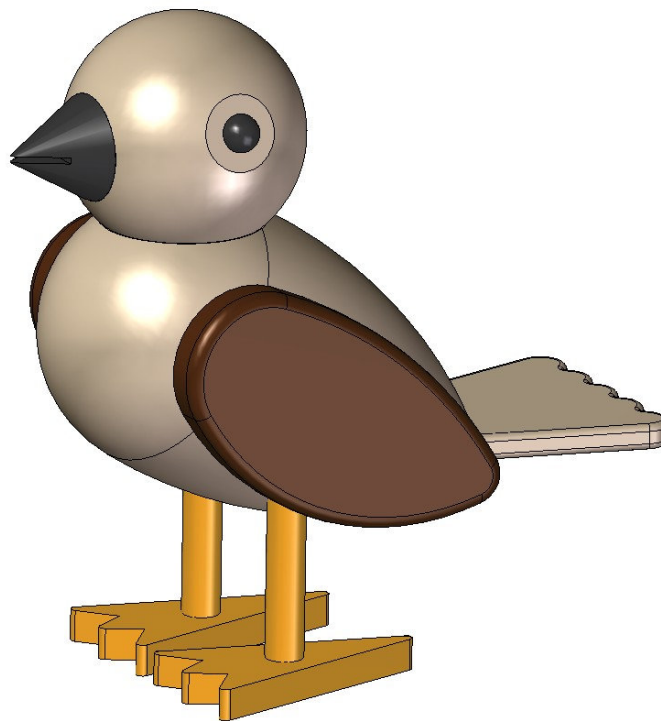


The most practical approach to this project is to use up the small ends of wood left over from other projects. This also has the advantage of producing parts of different colors for interest and variety.

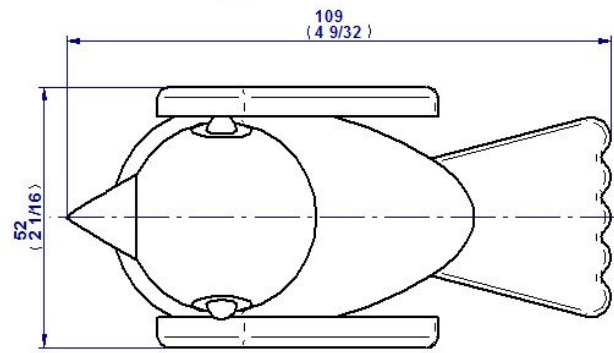
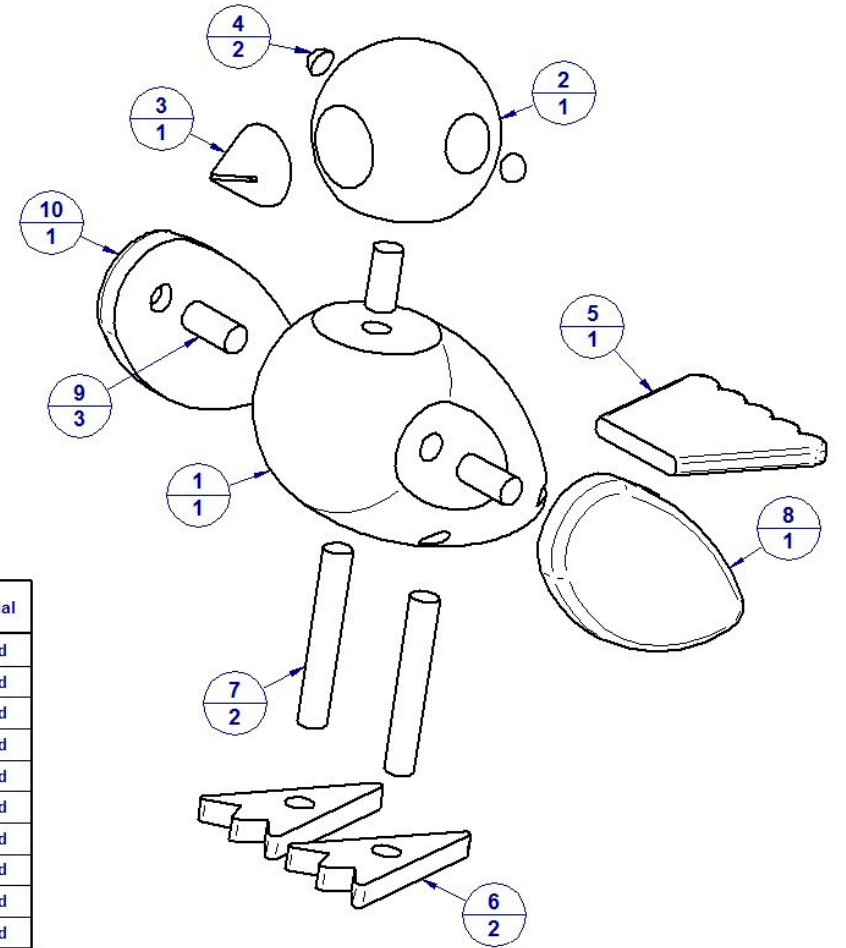
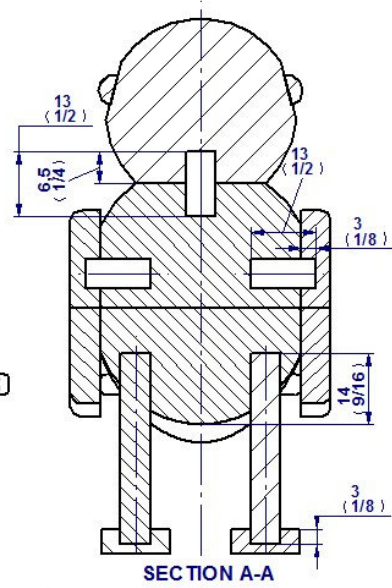
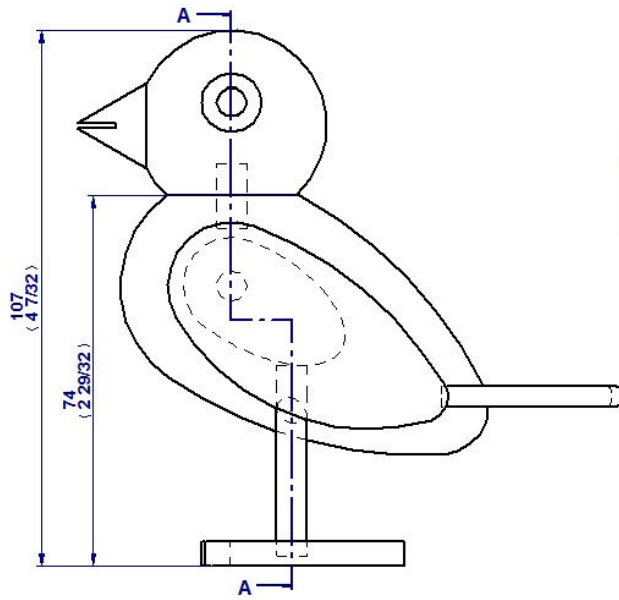
All the joints are doweled and glued.

The measurements are given in millimeters, while the measurements given in inches are in brackets (1 inch = 25, 4 mm).

Wooden sparrow figurine



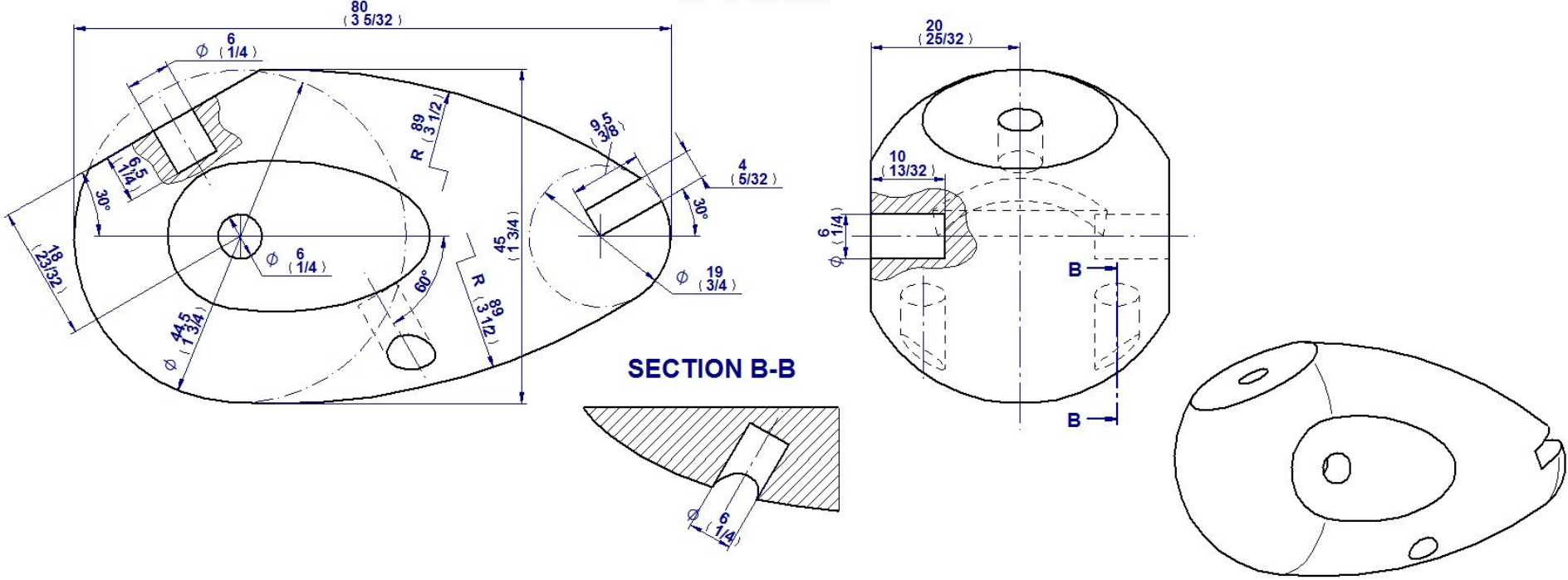
Wooden sparrow figurine – Assembly drawing, parts list and exploded view



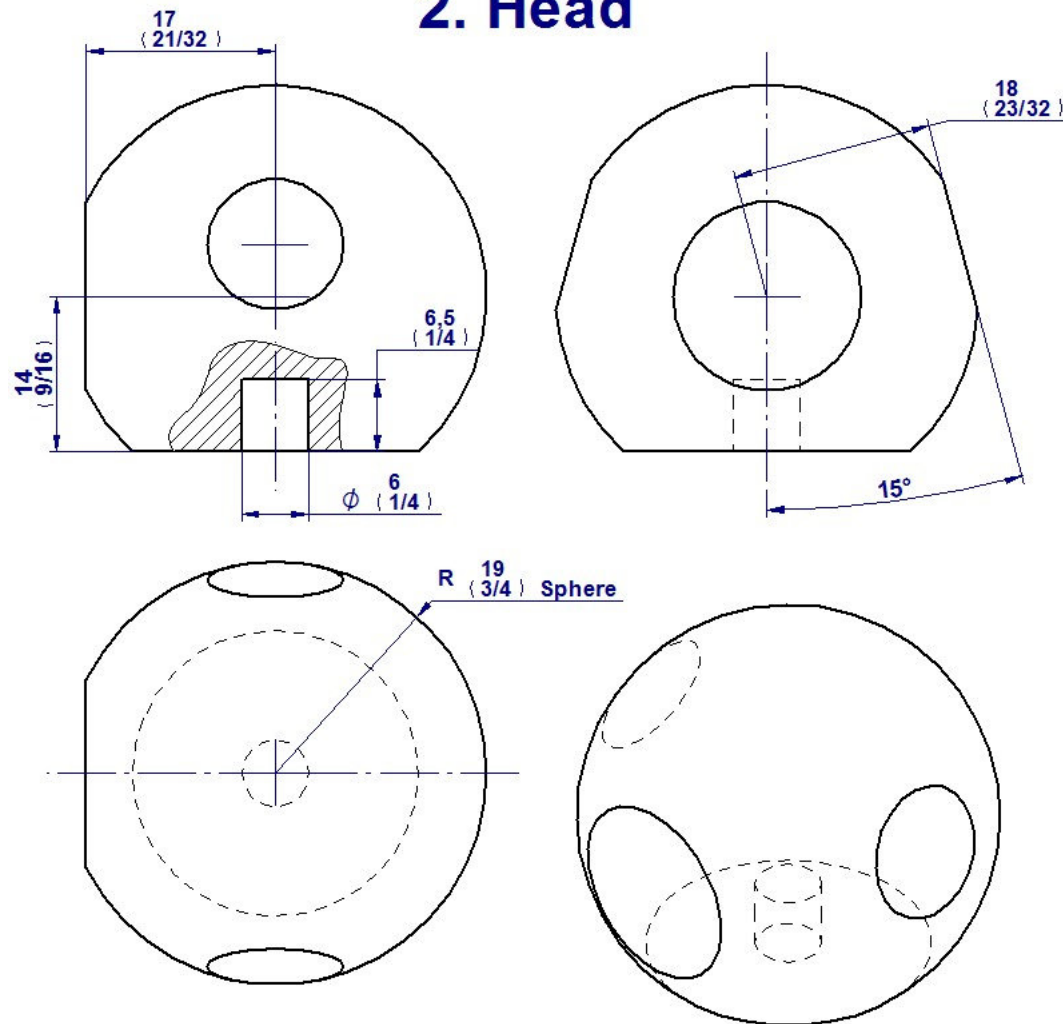
Item Number	Title	Quantity	Material
1	Torso	1	Wood
2	Head	1	Wood
3	Beak	1	Wood
4	Eye	2	Wood
5	Tail	1	Wood
6	Feet	2	Wood
7	Leg	2	Wood
8	Wing	1	Wood
9	Dowel	3	Wood
10	Wing mirror	1	Wood

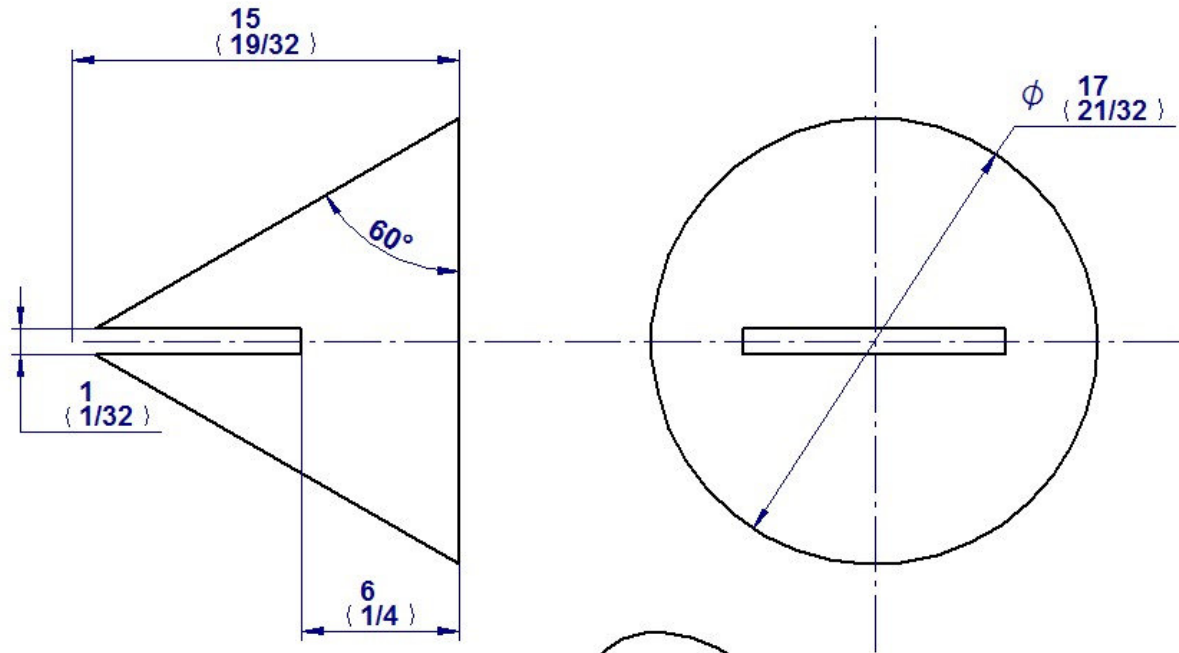
Wooden sparrow figurine – Parts drawings

1. Torso

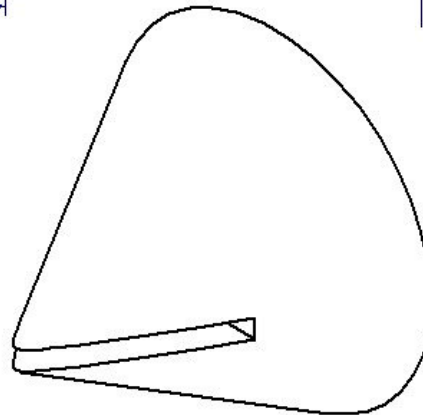


2. Head

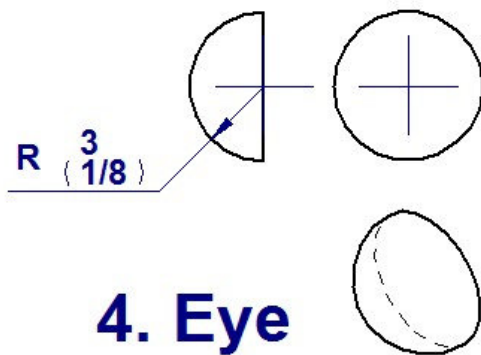
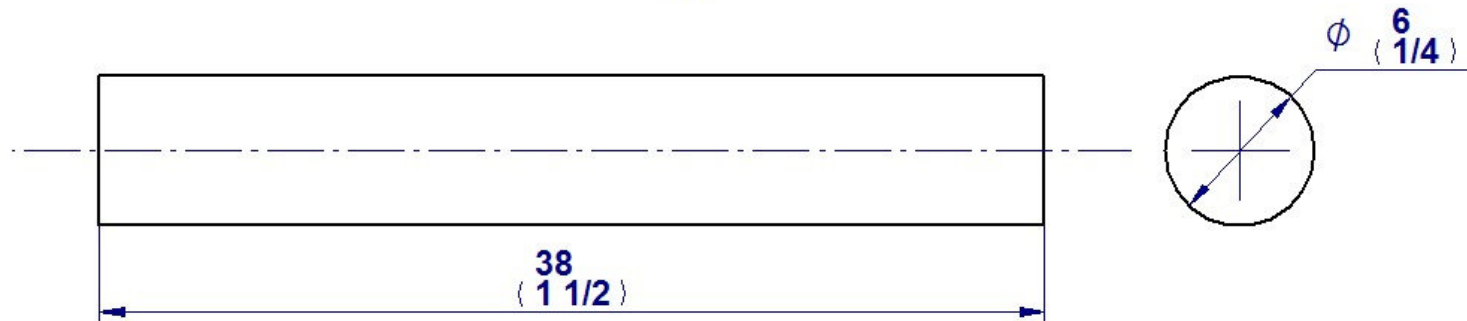




3. Beak

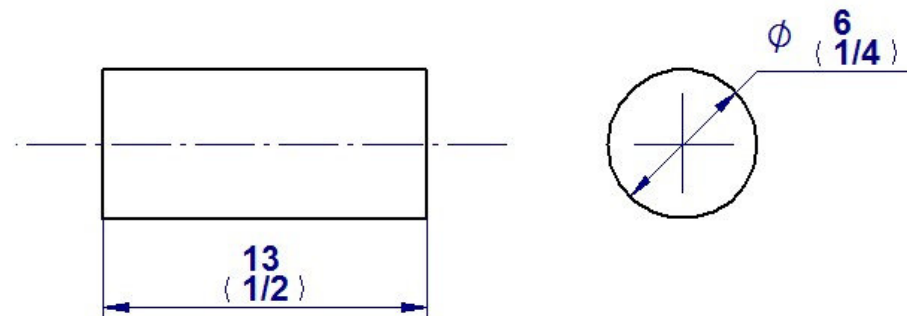


7. Leg

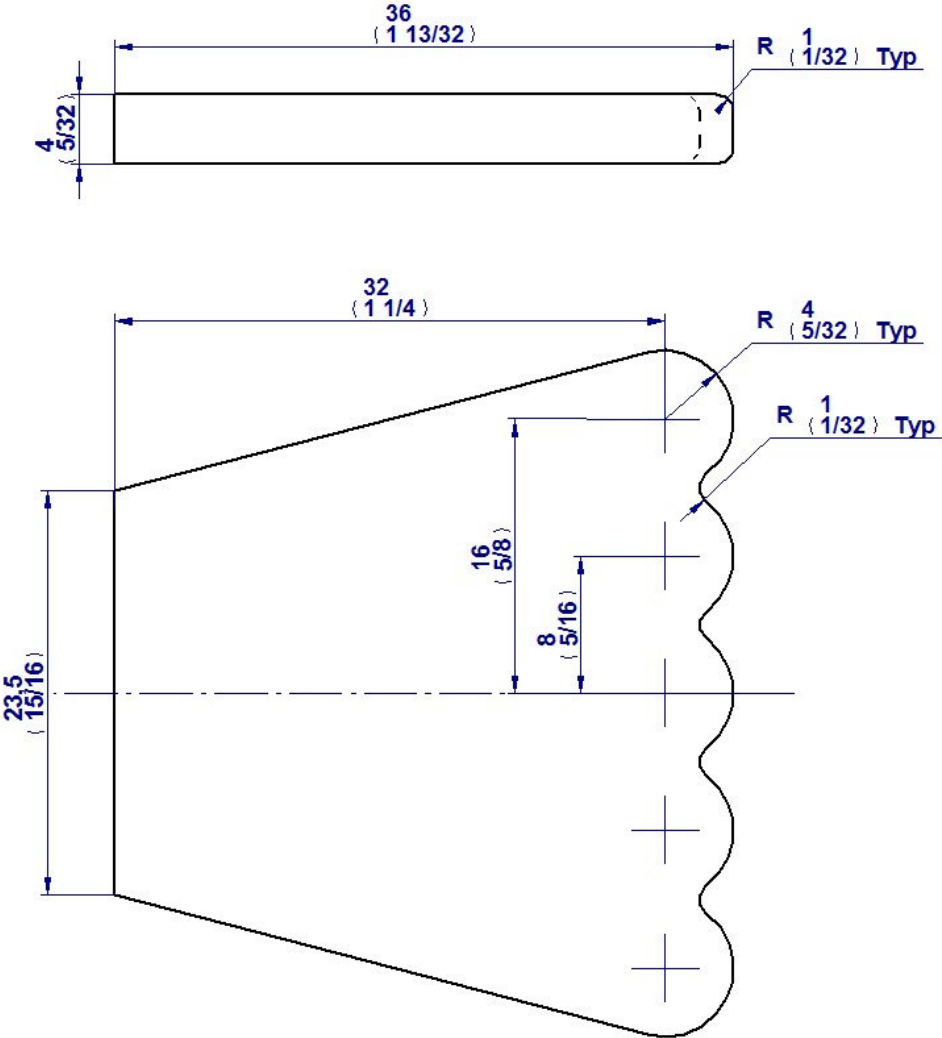


4. Eye

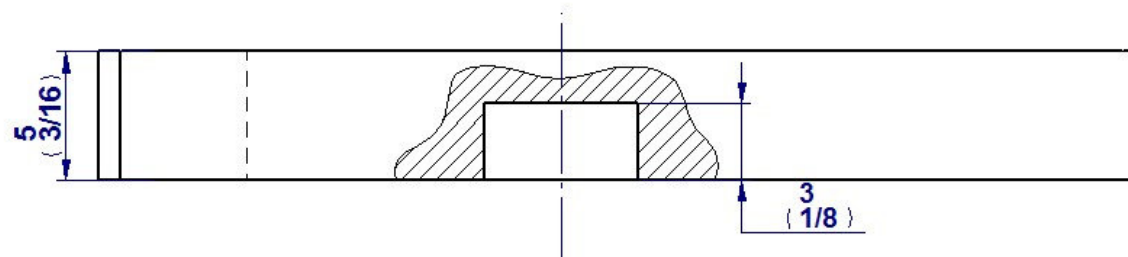
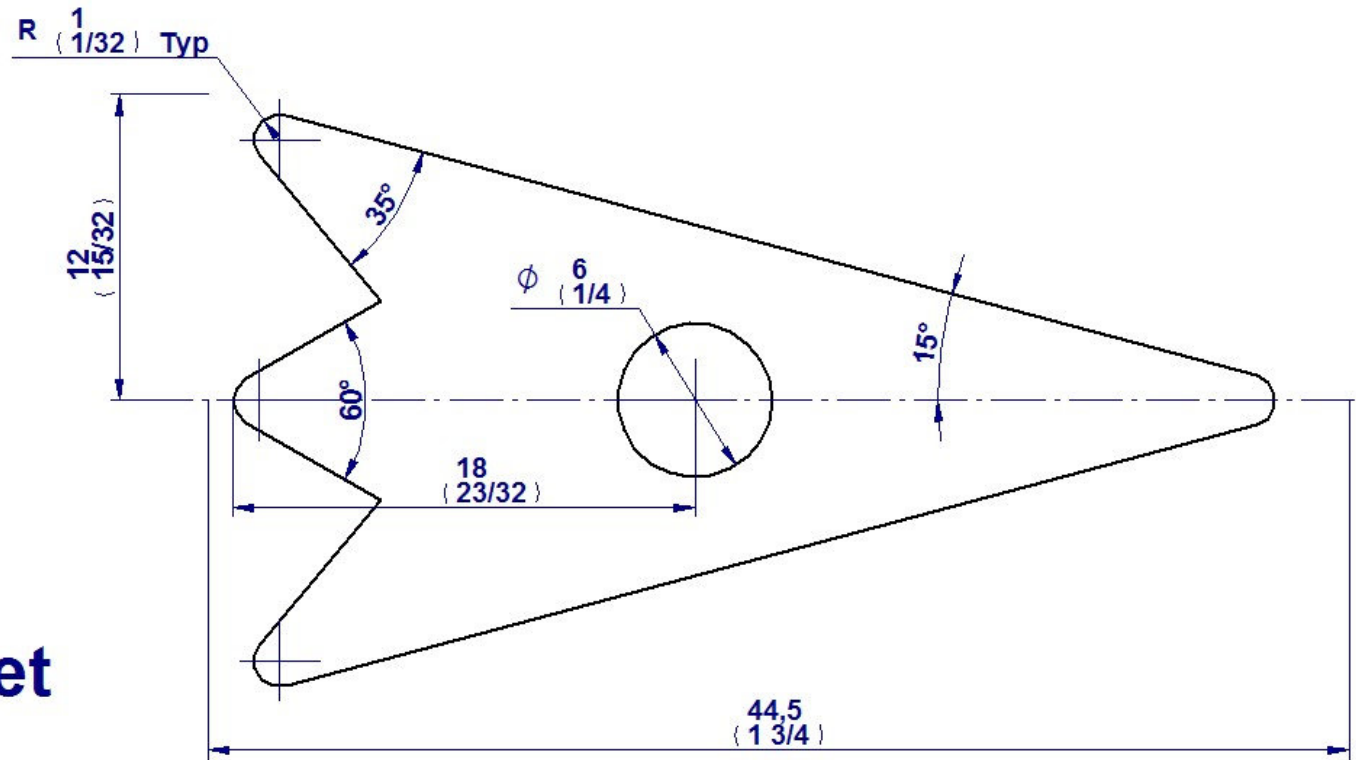
9. Dowel



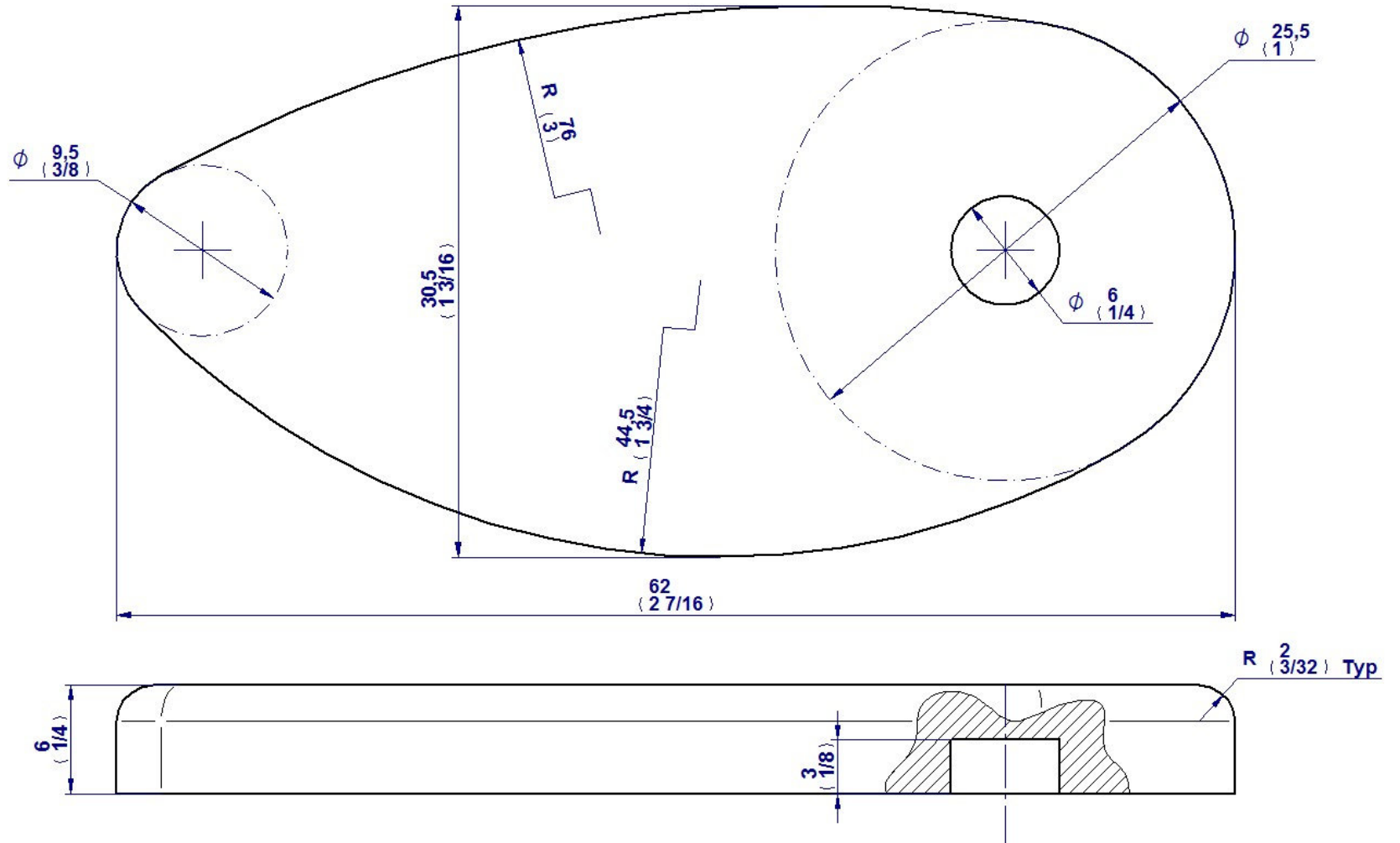
5. Tail



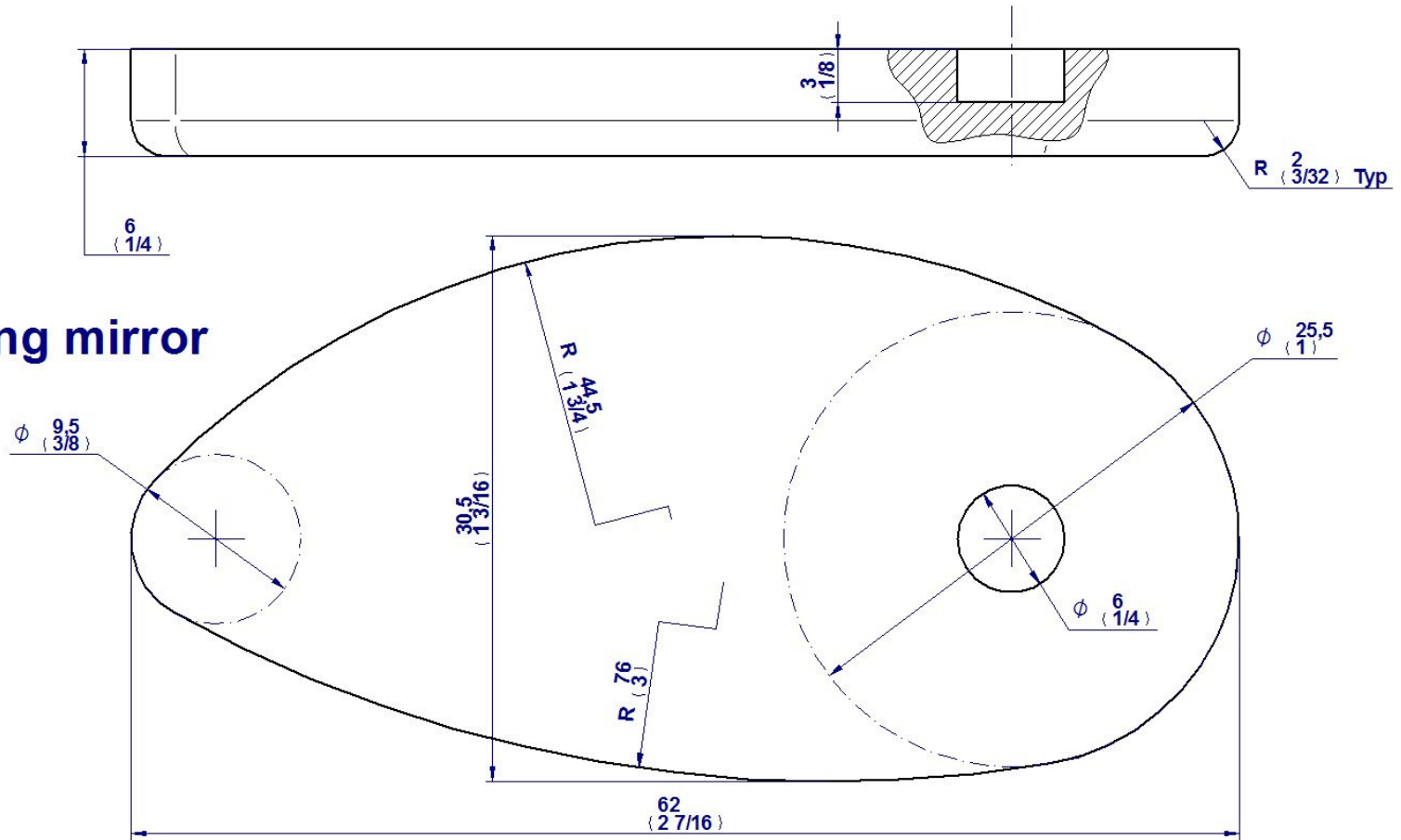
6. Feet



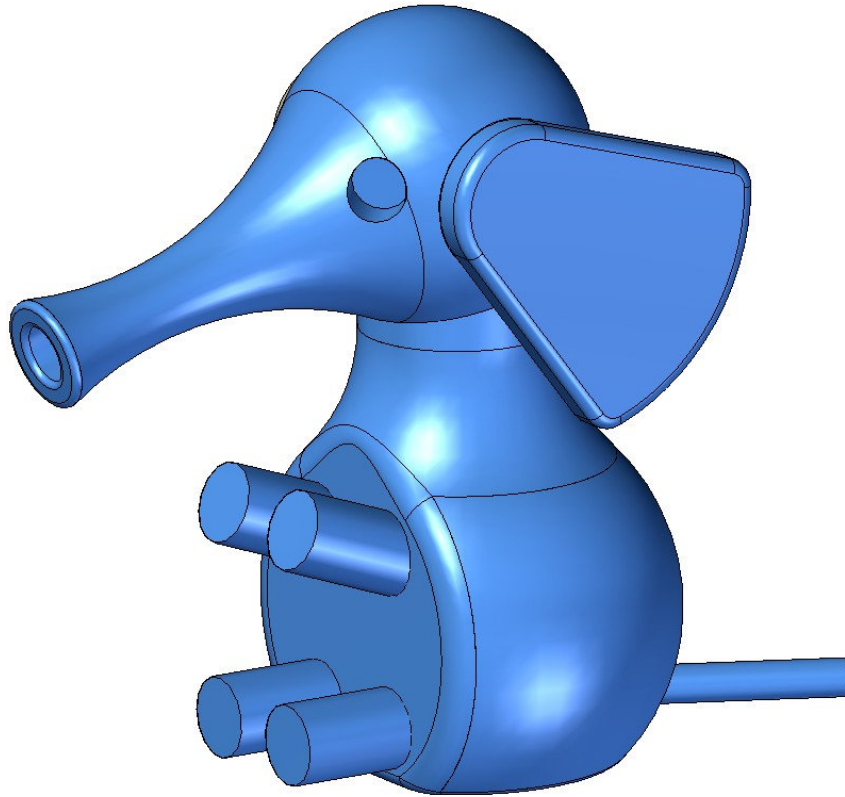
8. Wing



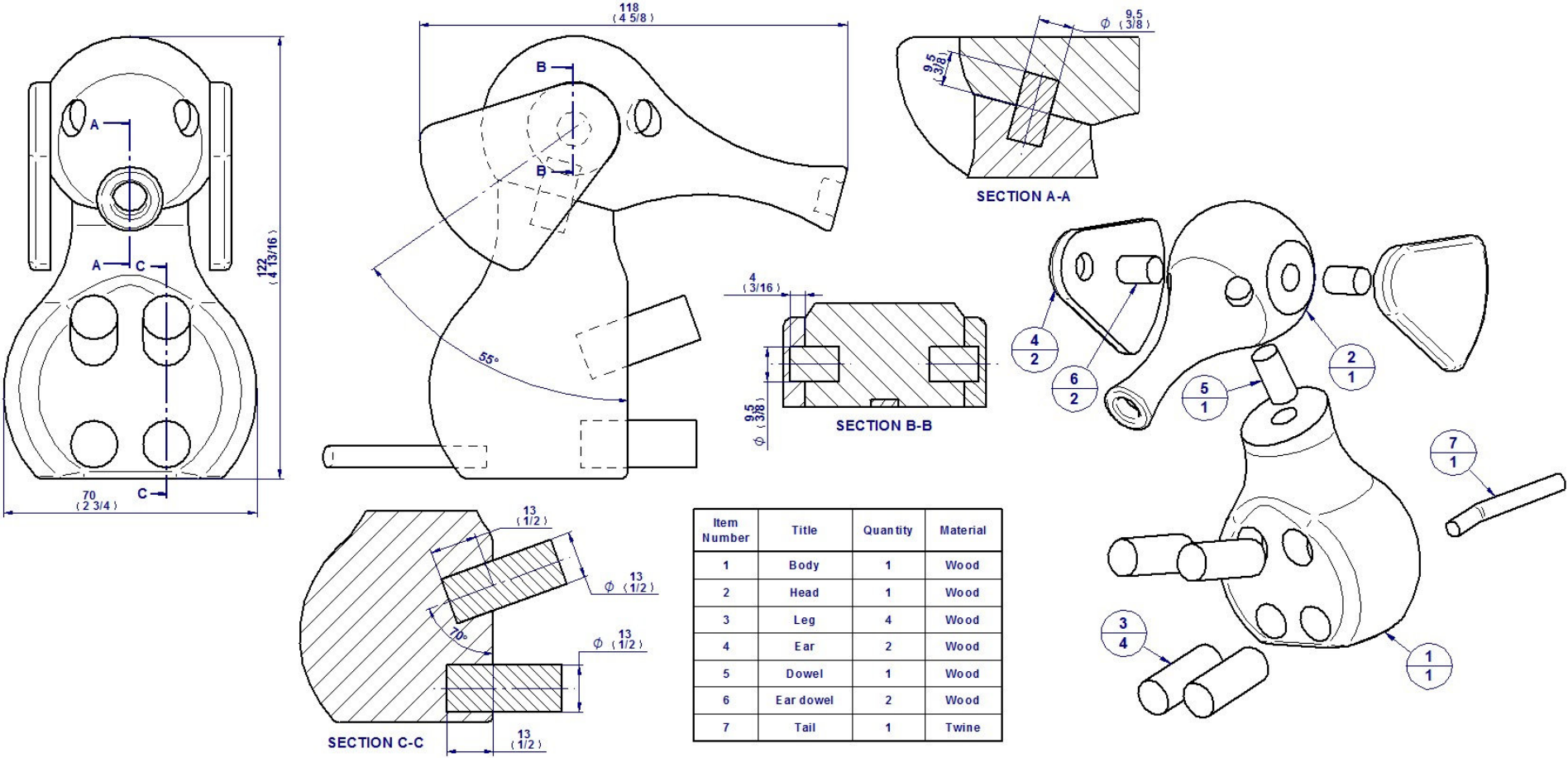
10. Wing mirror



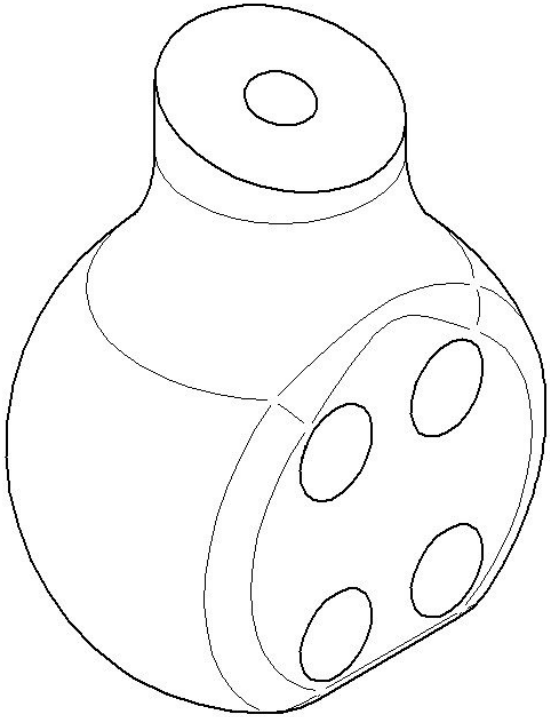
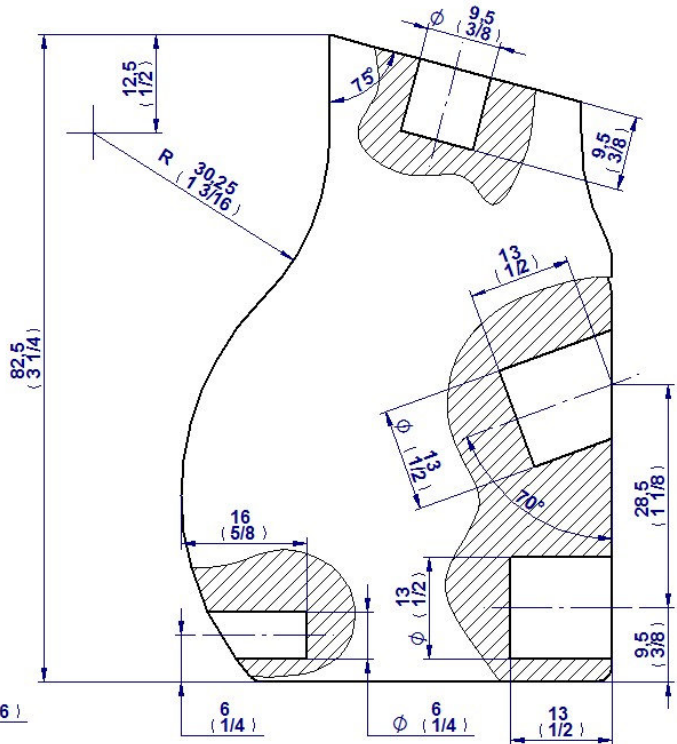
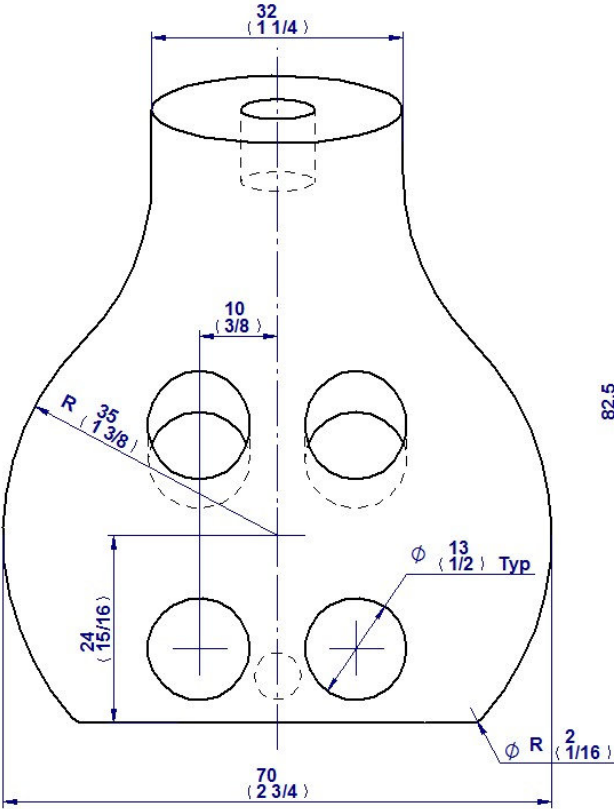
Wooden elephant figurine



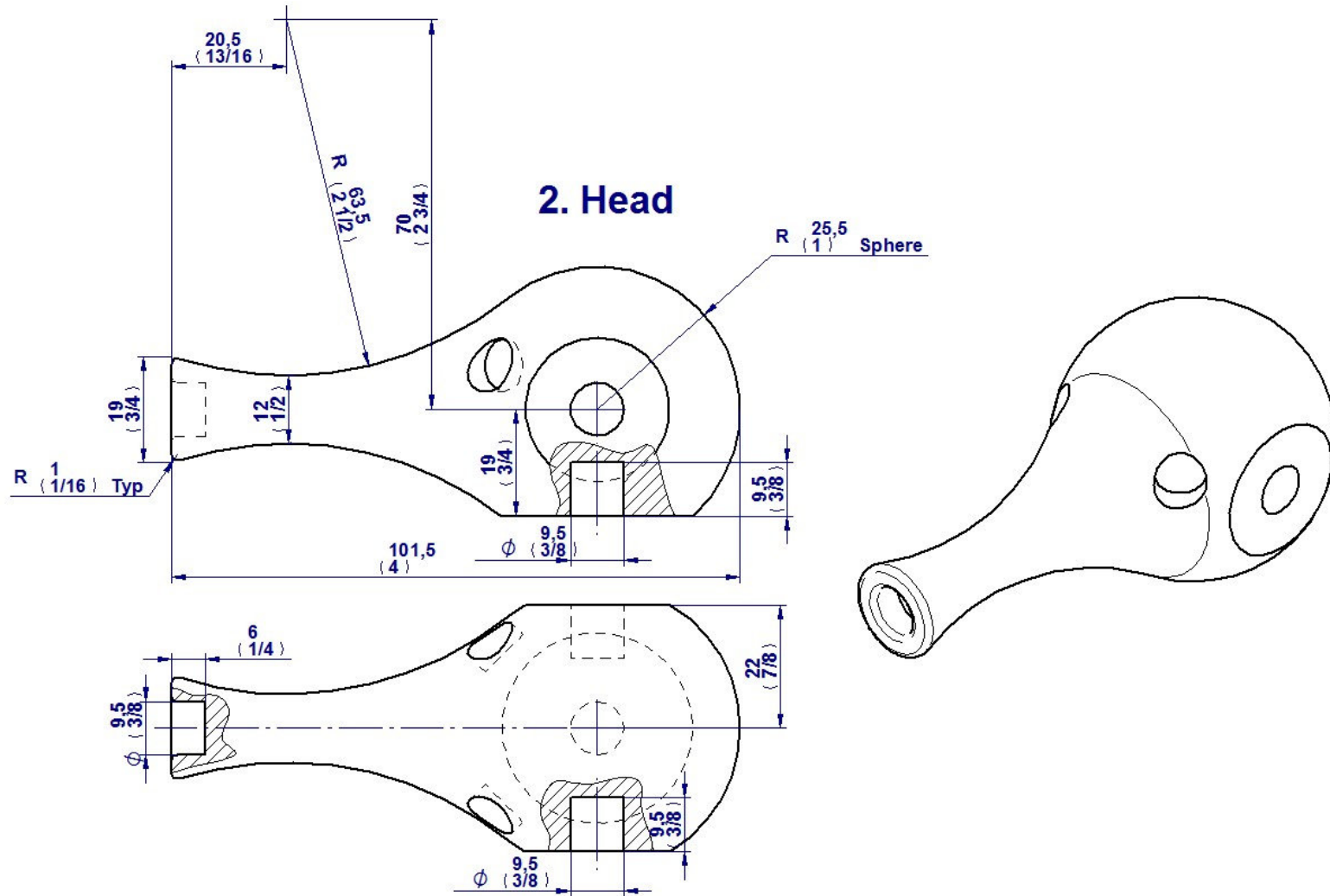
Wooden elephant figurine – Assembly drawing, parts list and exploded view

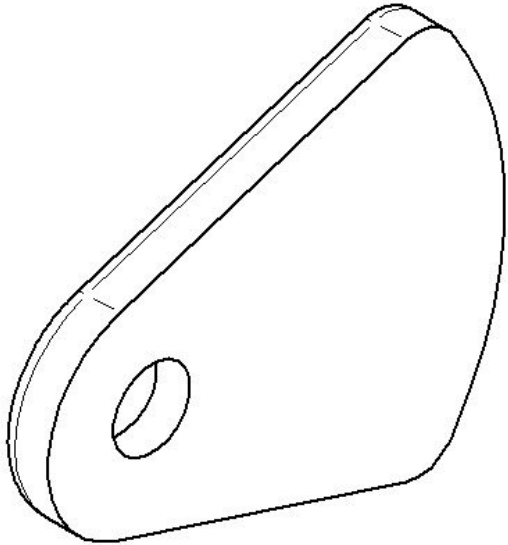
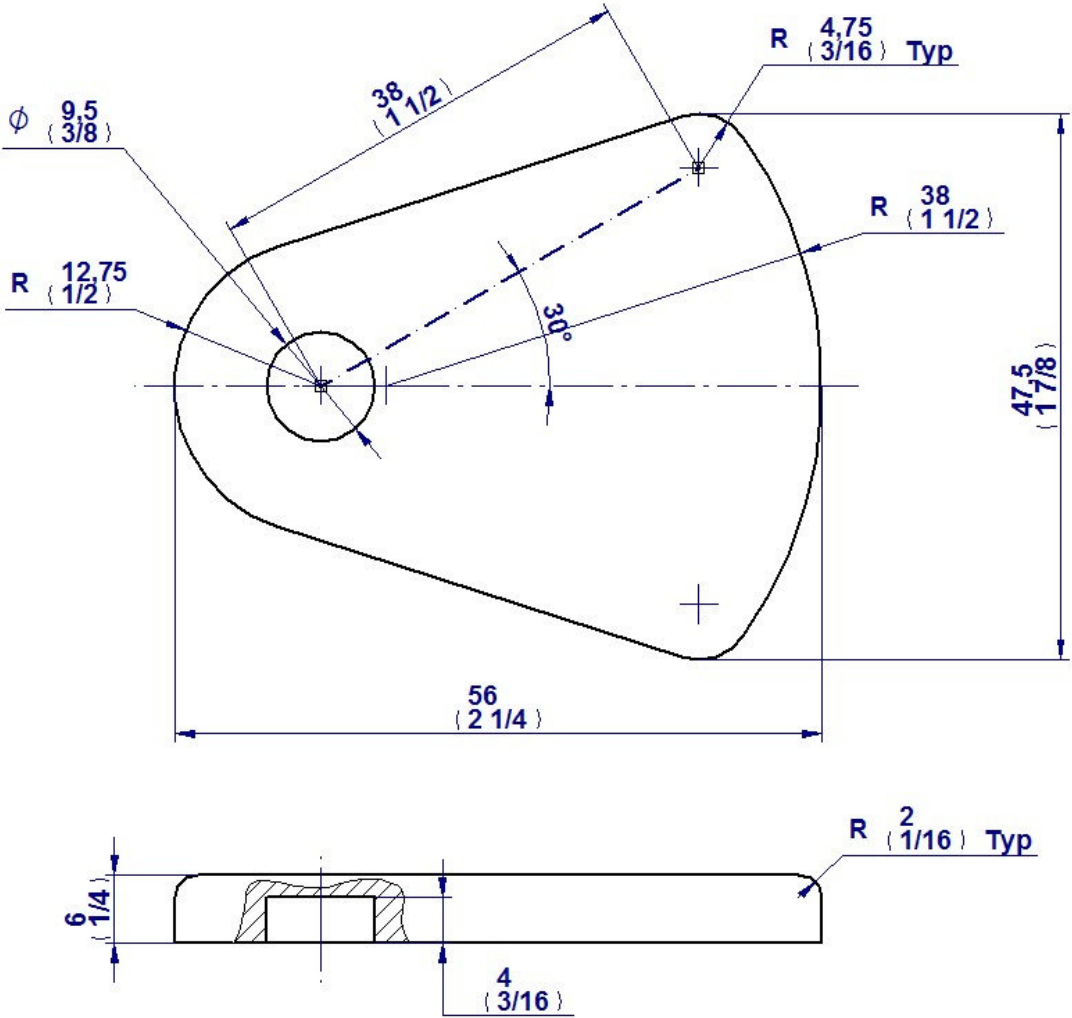


Wooden elephant figurine – Parts drawings

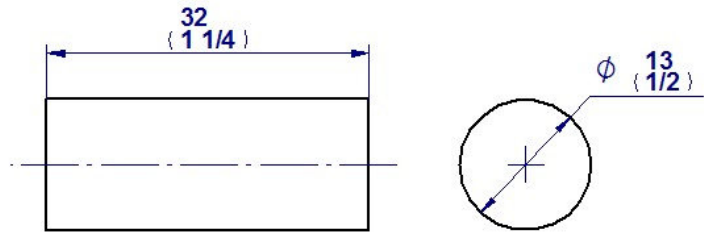


1. Body

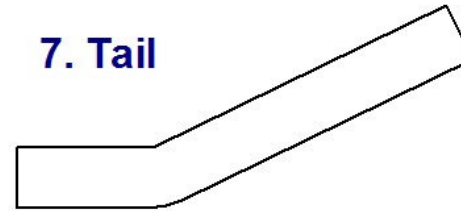




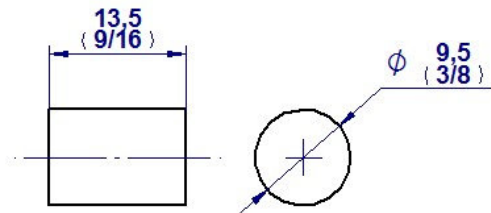
4. Ear



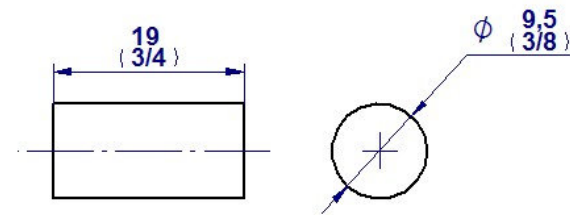
3. Leg



7. Tail

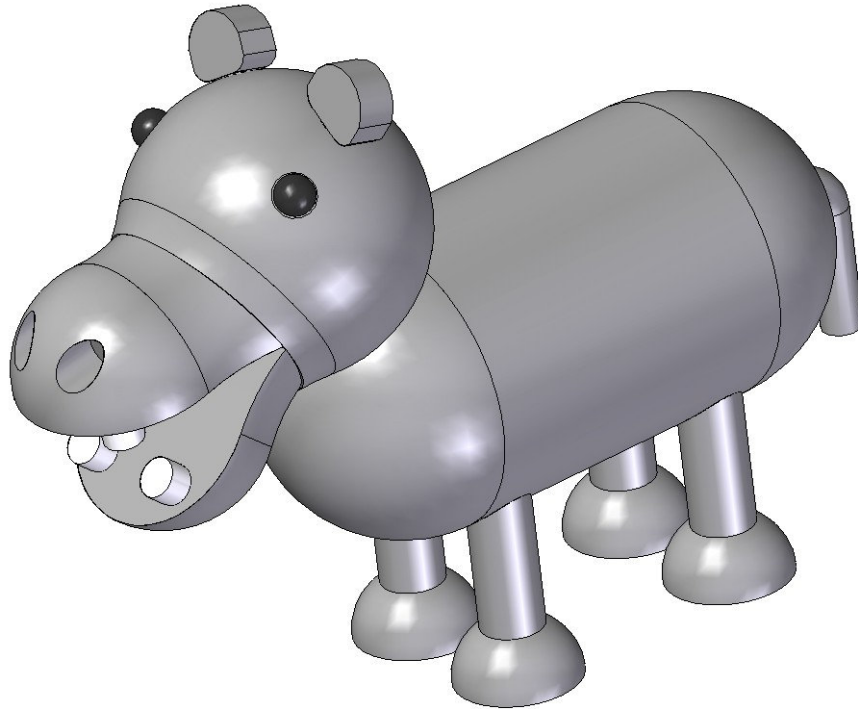


6. Ear dowel

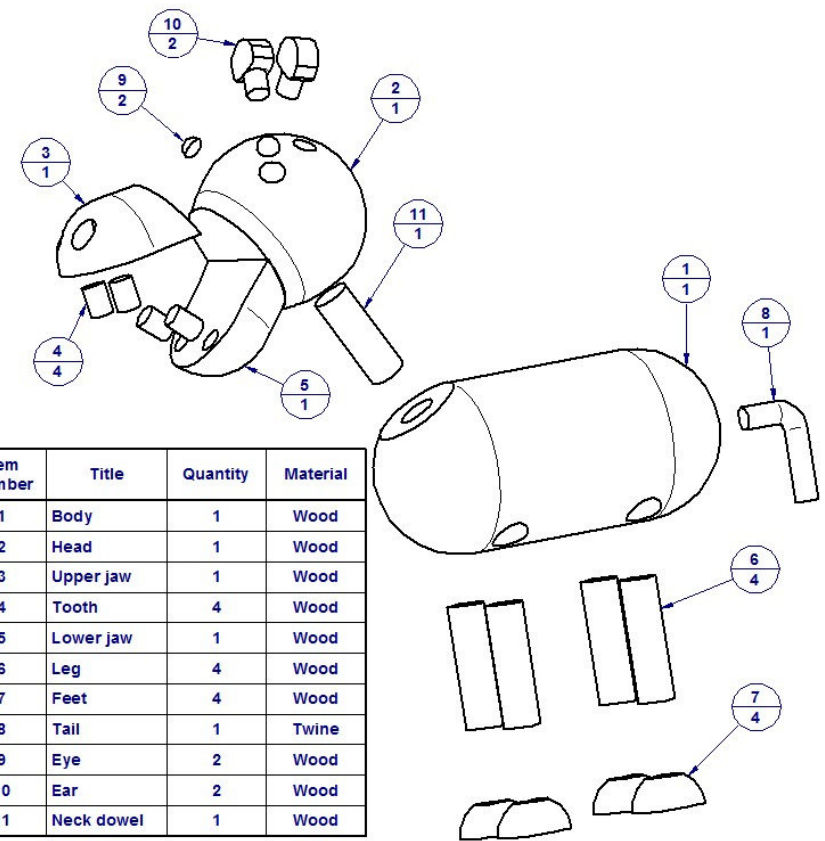
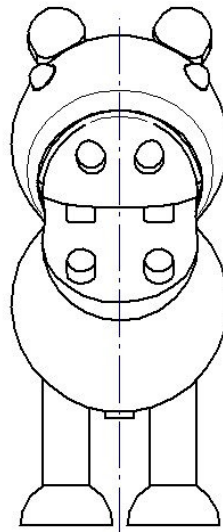
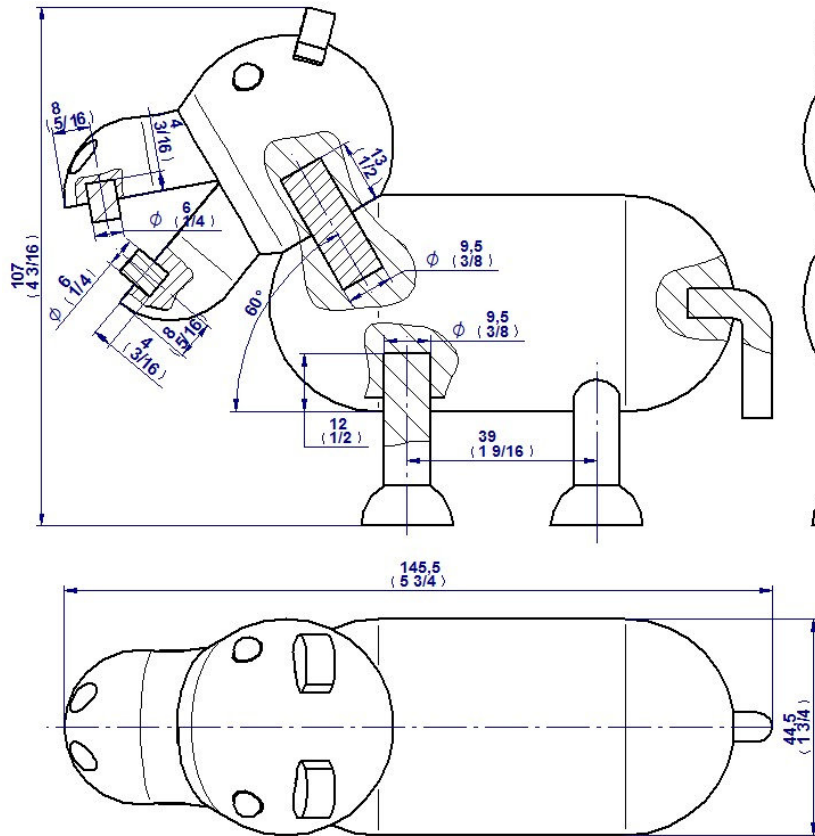


5. Dowel

Wooden hippopotamus figurine



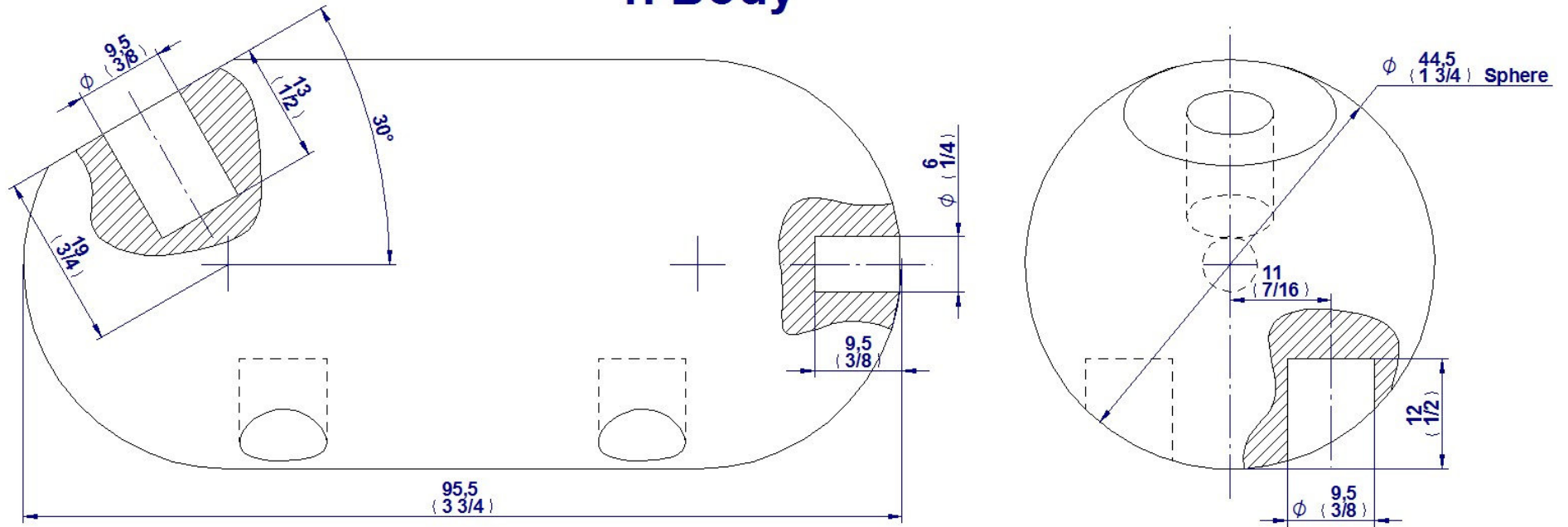
Wooden hippopotamus figurine – Assembly drawing, parts list and exploded view

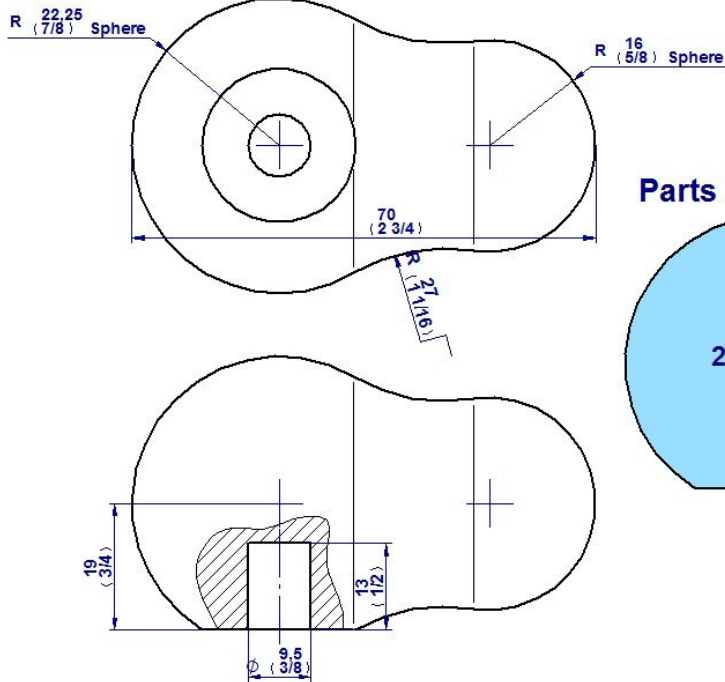


Item Number	Title	Quantity	Material
1	Body	1	Wood
2	Head	1	Wood
3	Upper jaw	1	Wood
4	Tooth	4	Wood
5	Lower jaw	1	Wood
6	Leg	4	Wood
7	Feet	4	Wood
8	Tail	1	Twine
9	Eye	2	Wood
10	Ear	2	Wood
11	Neck dowel	1	Wood

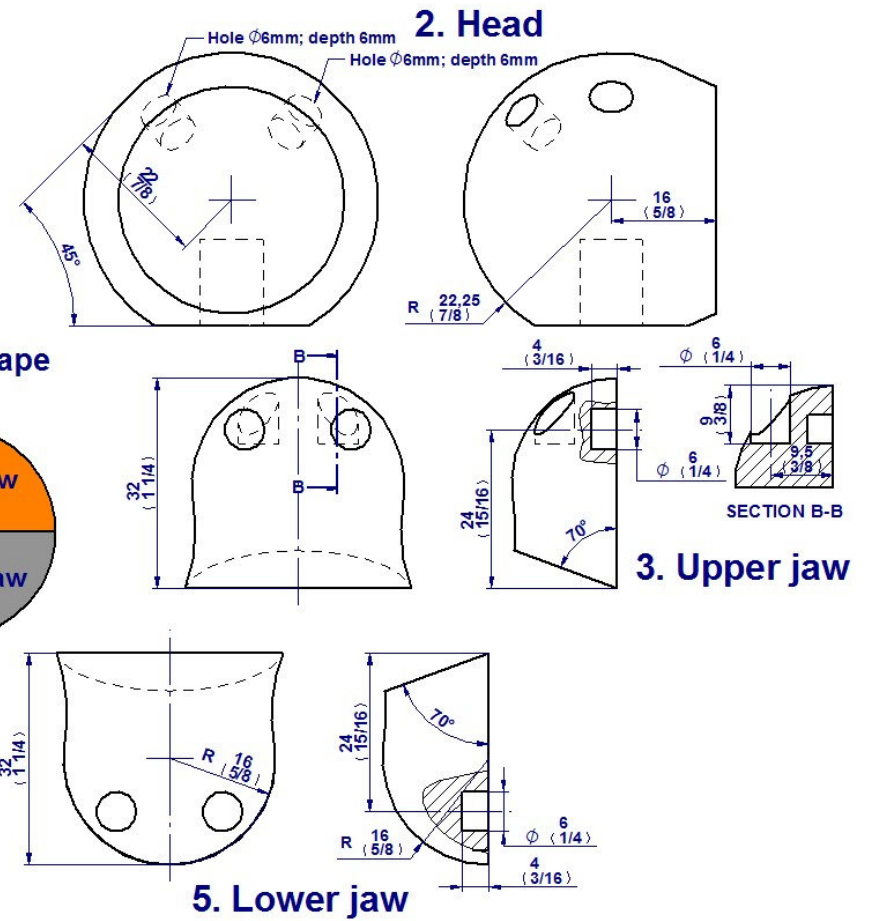
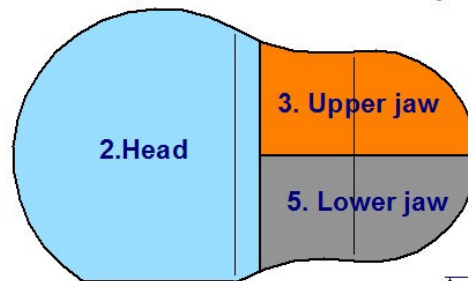
Wooden hippopotamus figurine – Parts drawings

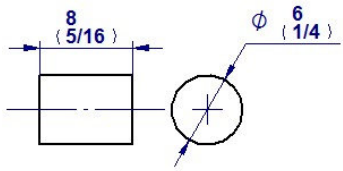
1. Body



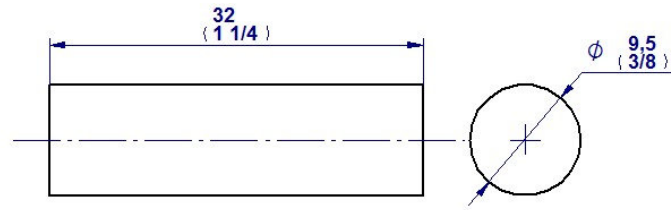


Parts 2, 3 and 5 - Initial shape

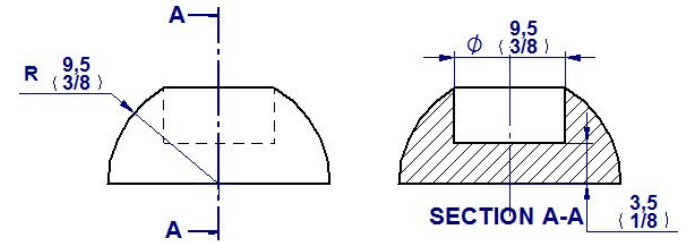




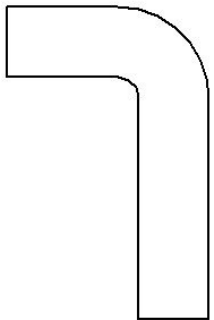
4. Tooth



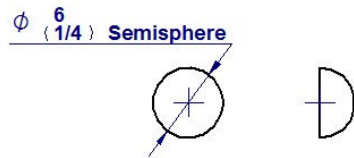
6. Leg



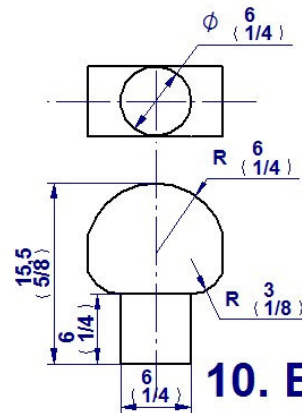
7. Feet



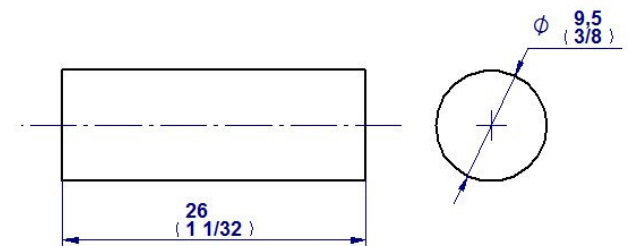
8. Tail



9. Eye



10. Ear



11. Neck dowel