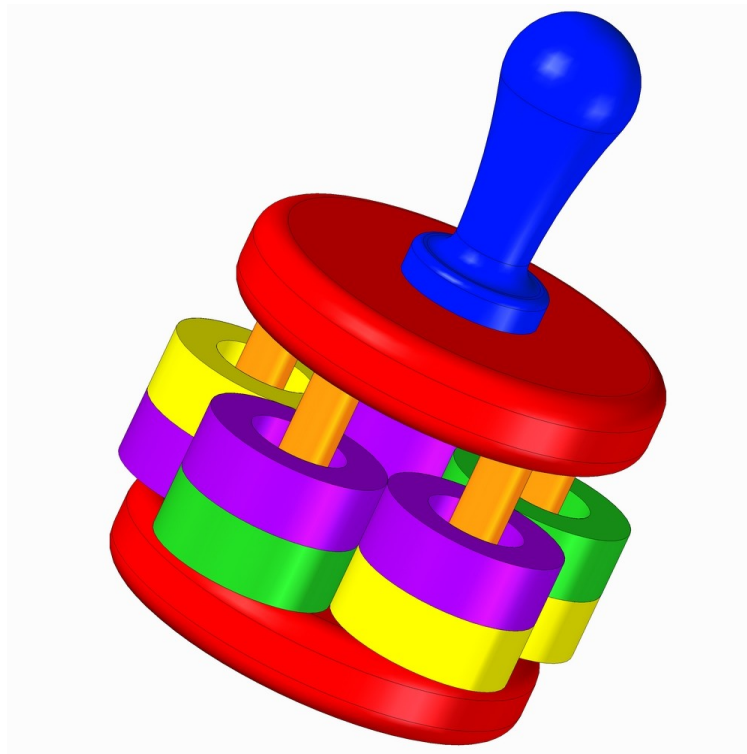


Wooden heirloom baby rattle

Rattle is the very first toy which babies get to know, and as such it is a significant tool for the development of the baby. Rattles have been used since the ancient times and at the very beginning they were only in form of balls that rattled when shaken, but with the development of industry rattles became more diverse, colorful and beautiful.

Rattles are being used from the first month until the end of the first year of a baby's life. The rattle's basic function is to improve development of vision, hearing, concentration, attention and the motion coordination. The first rattle should be simple and have vivid, contrasting colors, and as the sense of vision, hearing and motor skills is developing, these rattles should be gradually replaced with the more complex ones. The sound of the rattle should be clearly recognizable from the other sounds in the surrounding.

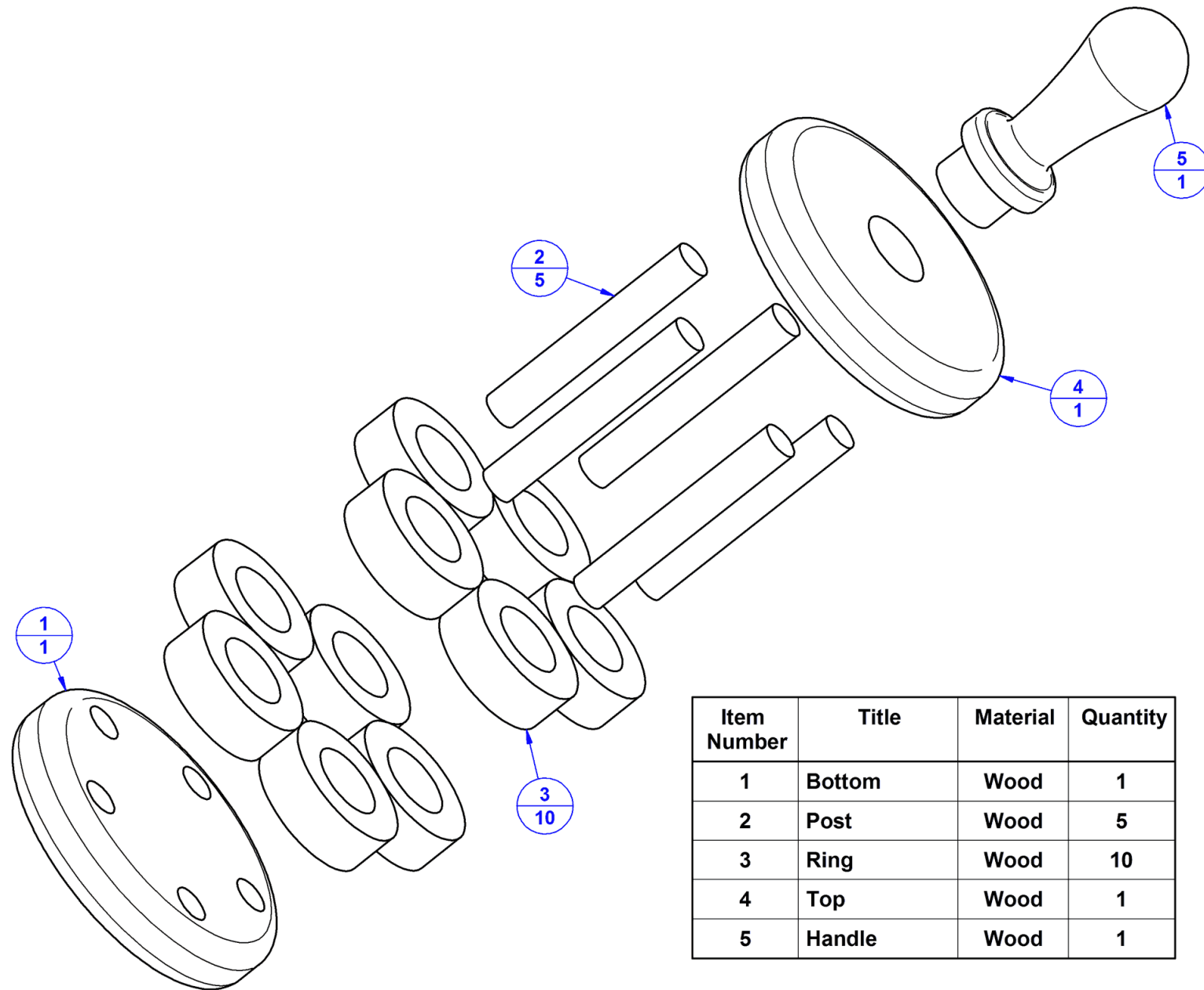


This Wooden heirloom baby rattle is designed for babies that are 5 months old and older. This is the period when the baby consciously starts to take objects in her hands. Variety of colors and more complex structure of the rattle should draw the baby's attention and develop motor skills and sense of touch, as well as the hand-eye coordination. Round shape of the rattle is convenient for the baby, because she can easily hold it in her hand. We recommend using some light wood for the rattle manufacture, so the finished rattle will not be too heavy for the baby to hold.

It is natural for the baby to put in her mouth all the things that she comes in touch with, so it is very important that all these objects are clean and made out of non-toxic materials. Because of this, you need to be informed about which colors are safe to use for painting the rattle. We recommend using some of the child-safe finishes.

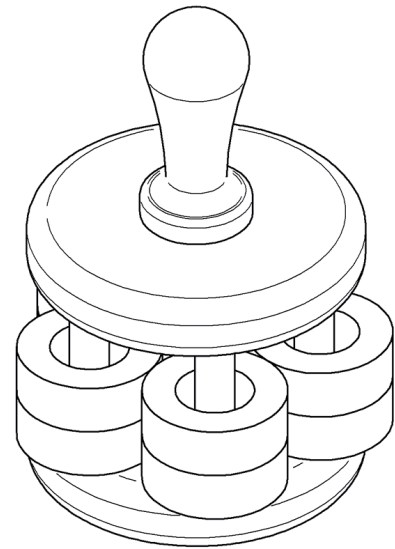
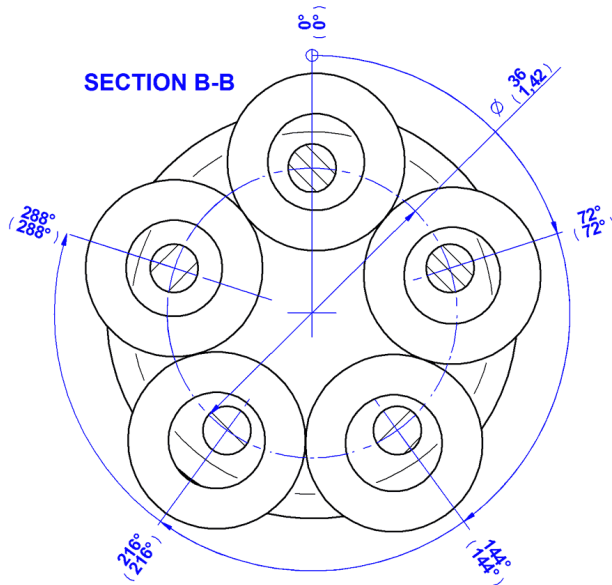
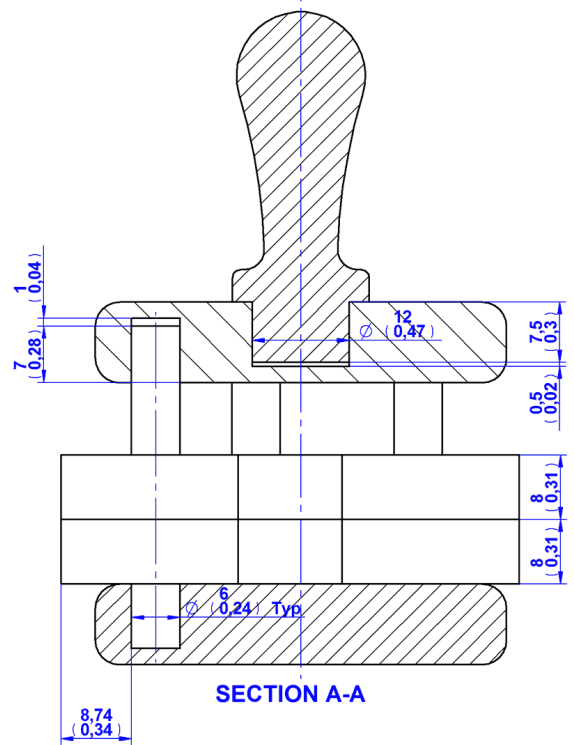
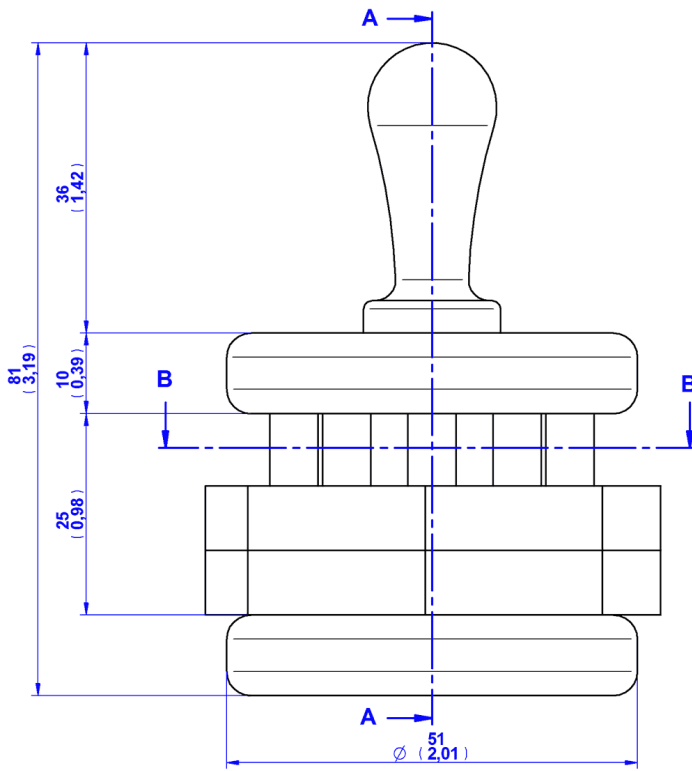
When you make this rattle with love and proper attention, it will – as the word „heirloom“ in its name suggests – last in your family for many generations of babies.

Wooden heirloom baby rattle – Parts list

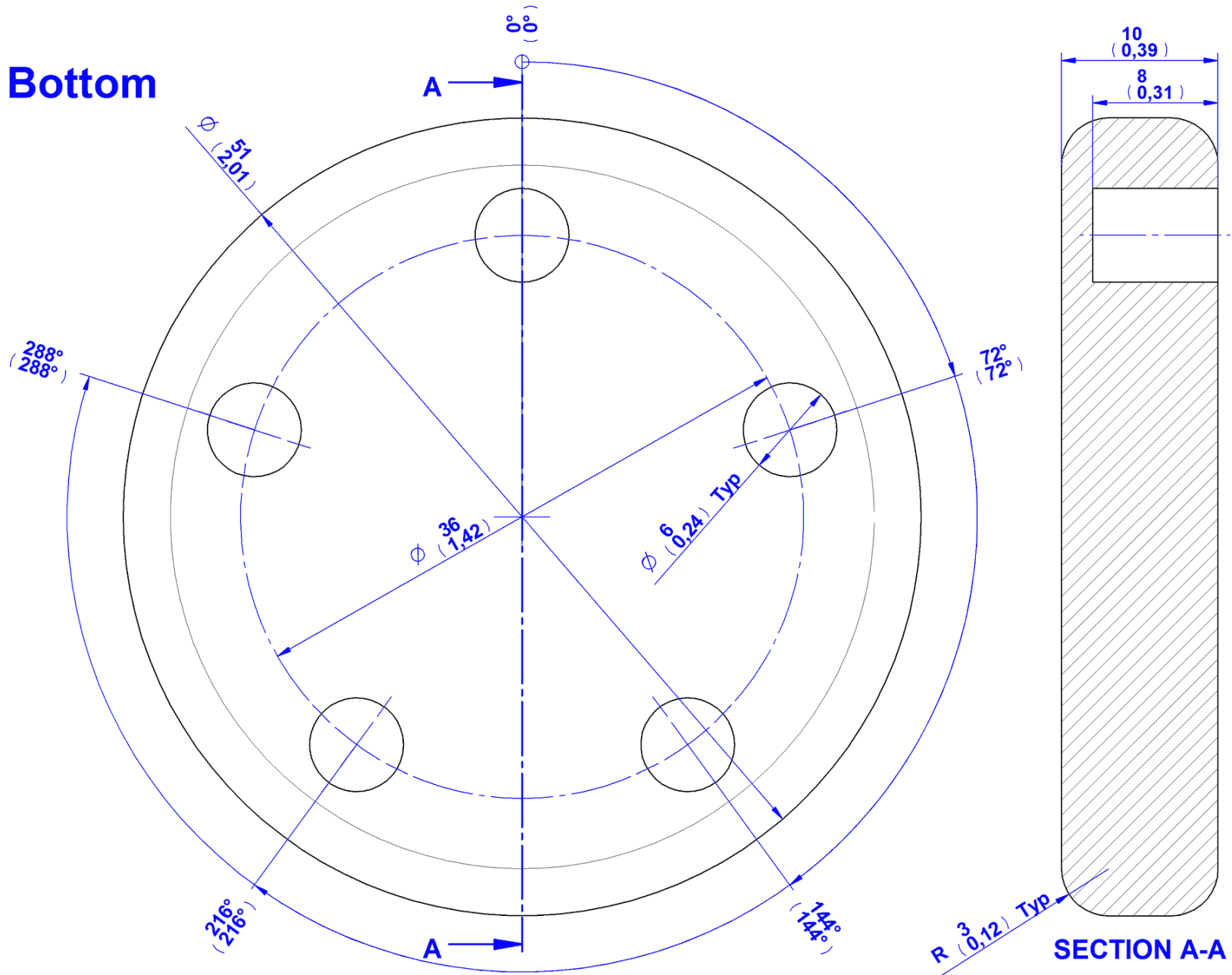


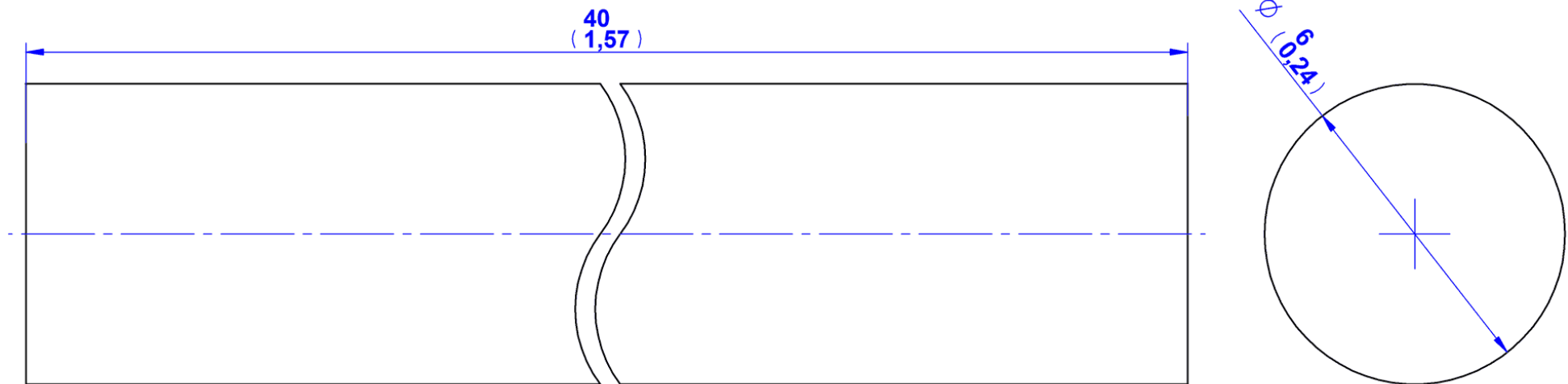
Item Number	Title	Material	Quantity
1	Bottom	Wood	1
2	Post	Wood	5
3	Ring	Wood	10
4	Top	Wood	1
5	Handle	Wood	1

Wooden heirloom baby rattle – 2D assembly drawing



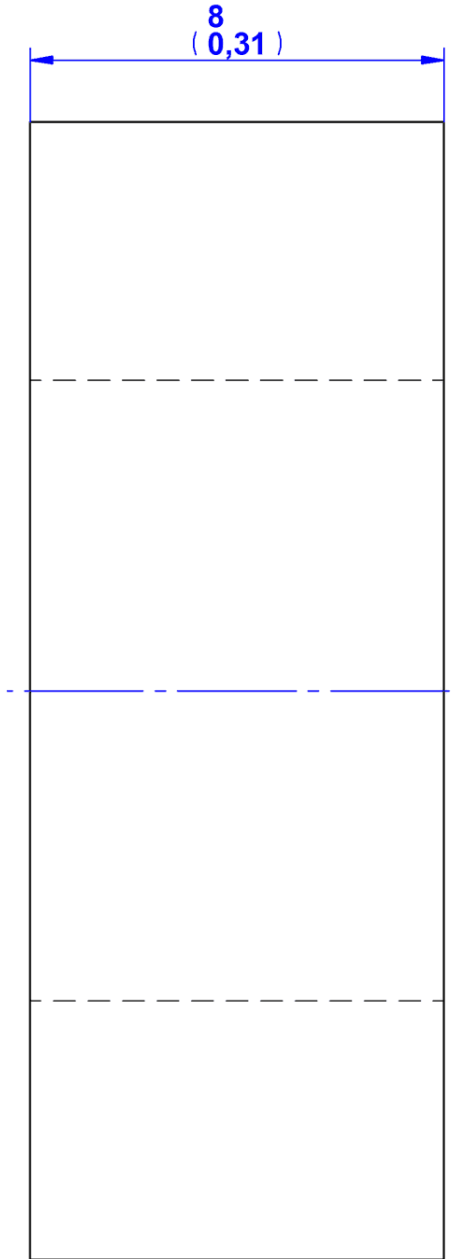
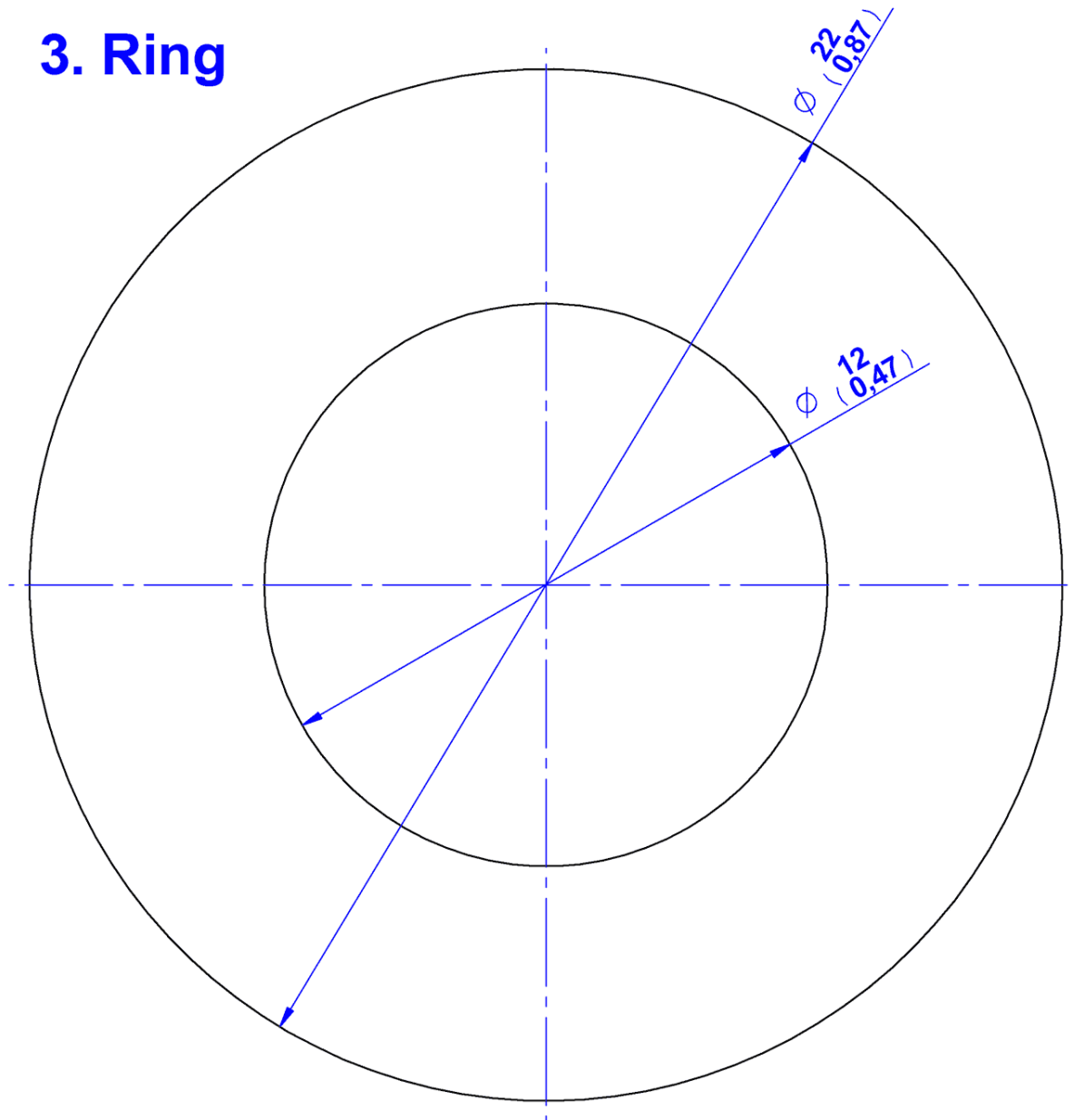
1. Bottom



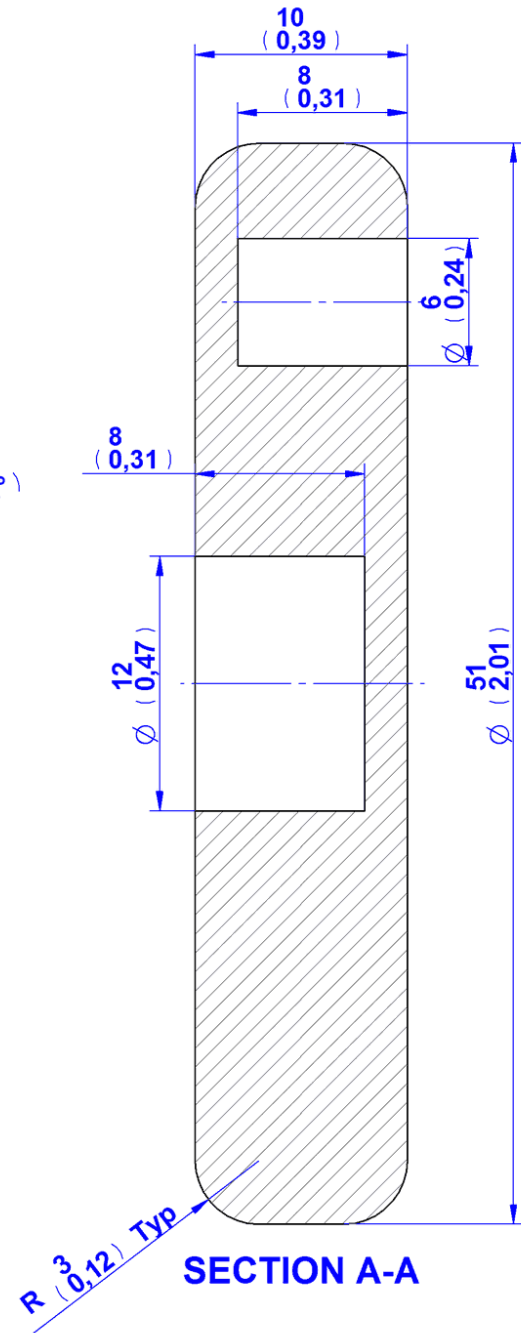
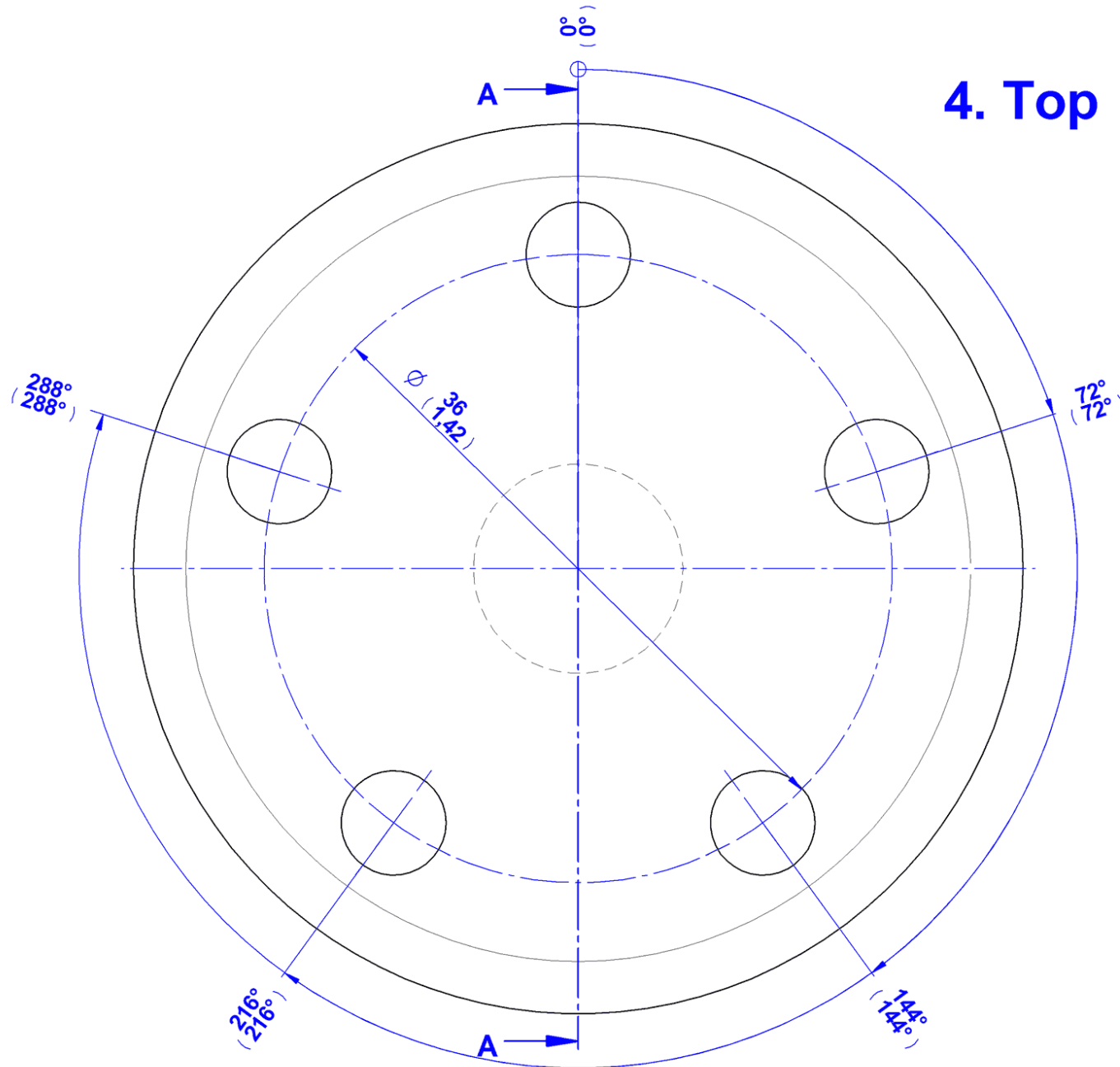


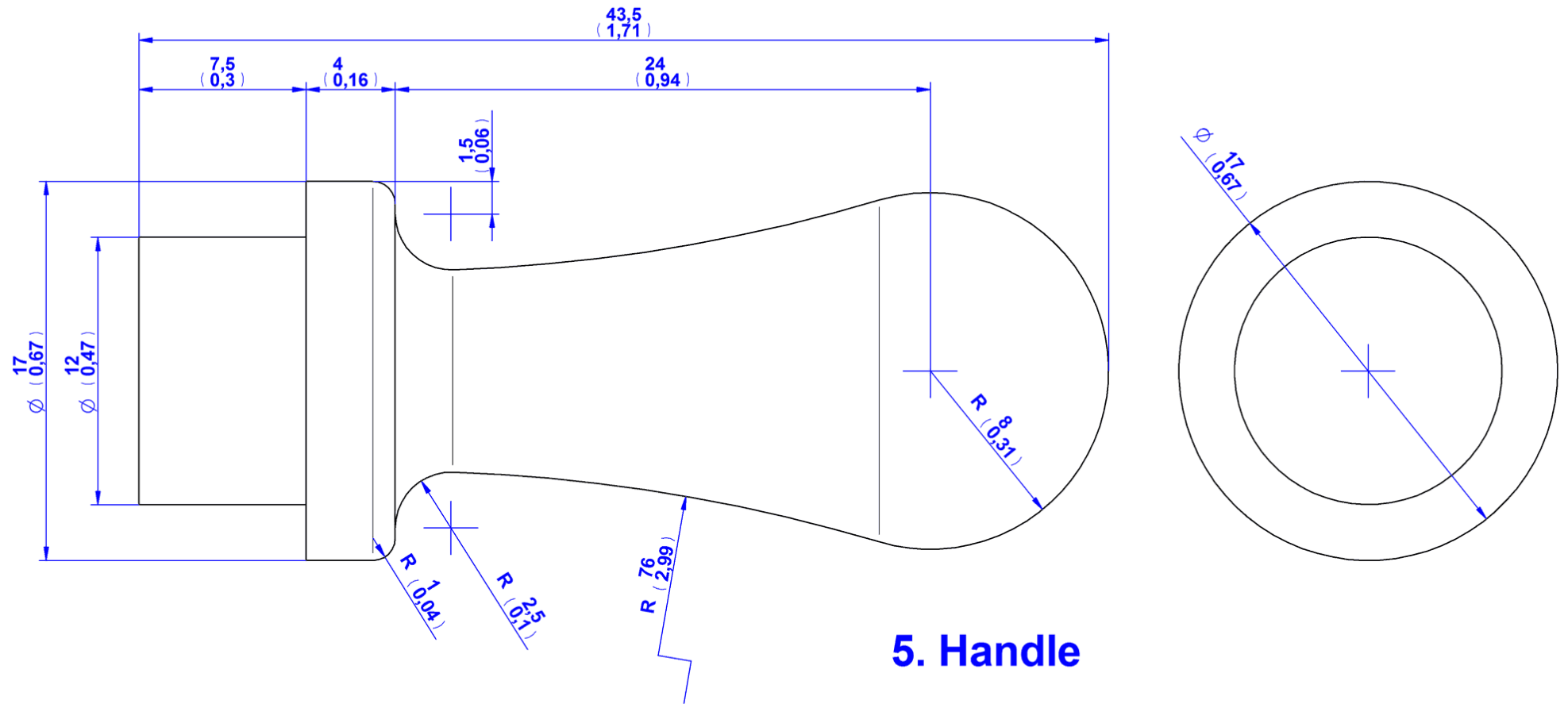
2. Post

3. Ring



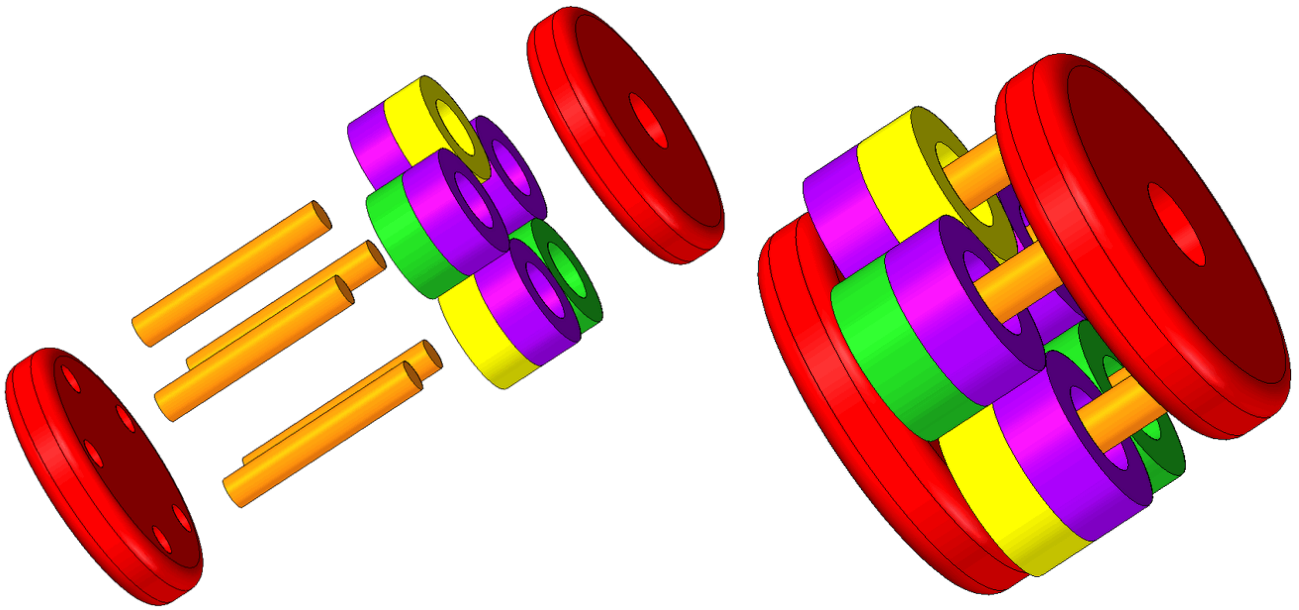
4. Top





Assemblage images

1.



2.

