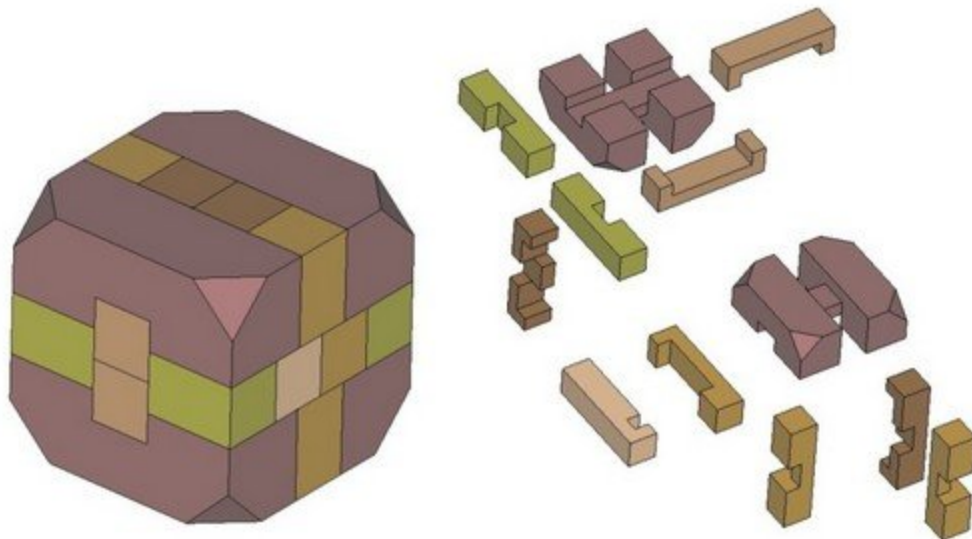


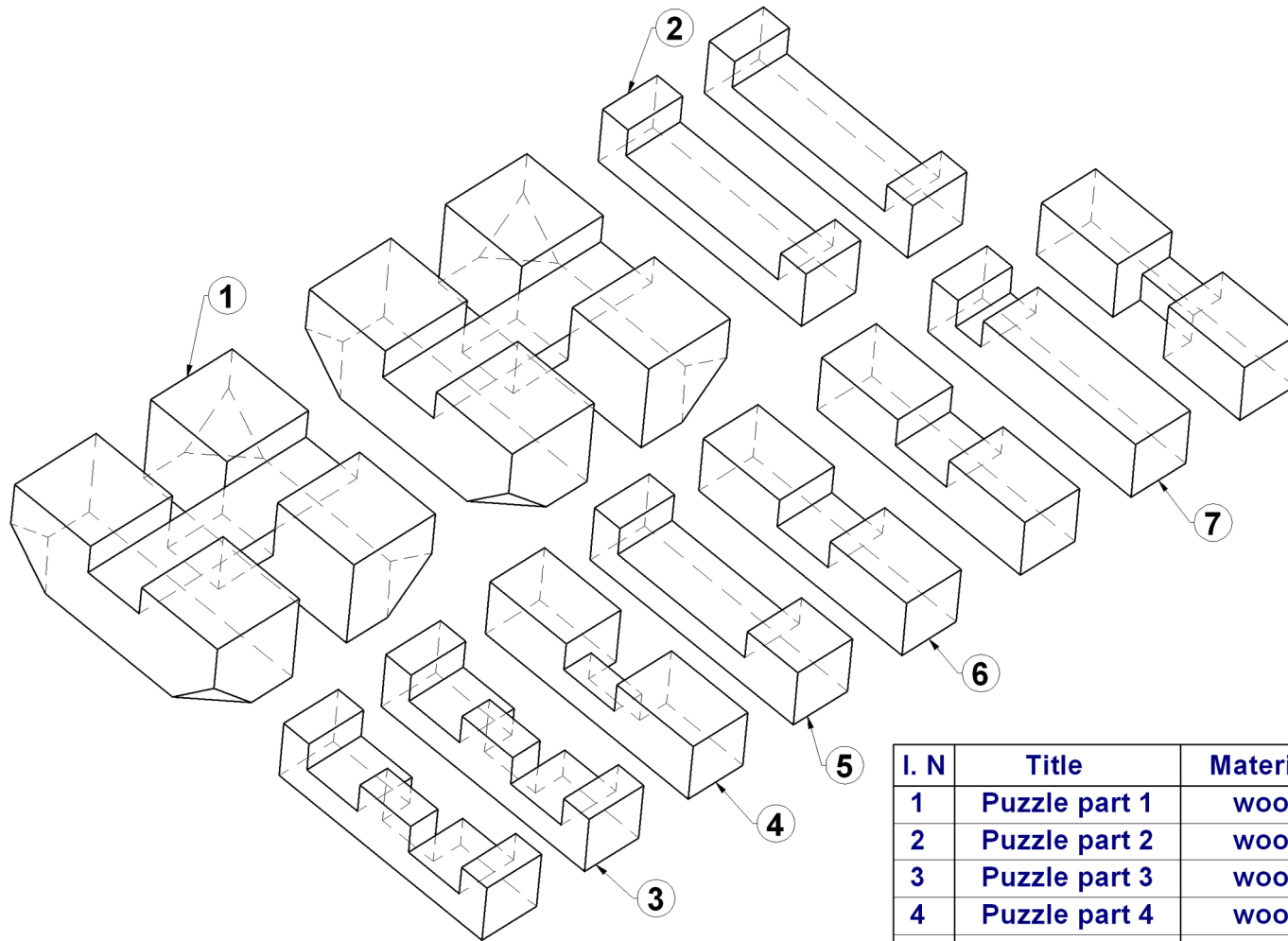
Wooden interlocking puzzle plan



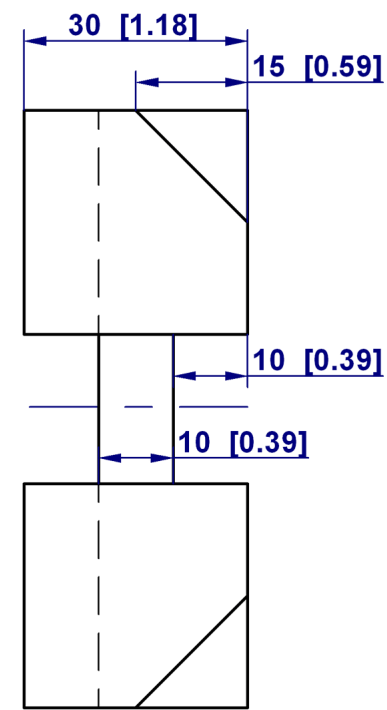
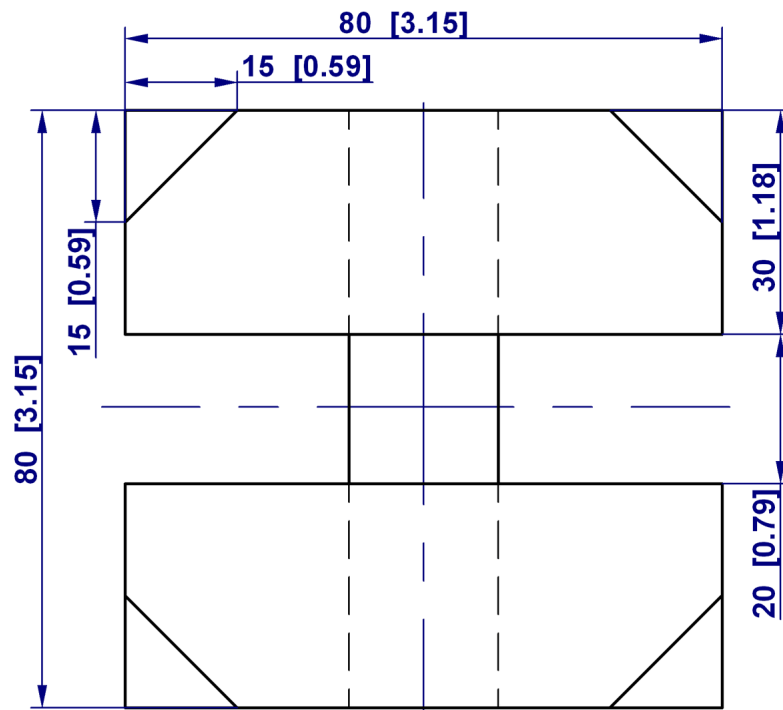
This puzzle, which is simply called the 'interlocking puzzle', consists of 12 parts and can be made from wood. It is similar to the 'burr interlocking puzzle', but by definition the latter consists of notched sticks. Since the interlocking puzzle has two pieces that are not stick-shaped, we think that it doesn't belong among the burr puzzles. Of course, this fact in no way affects its quality - it is very interesting in terms of both stacking and crafting. In the plan you can find drawings of each piece, a parts list, an exploded view, as well as a picture to show you how to solve the puzzle. You need to make all the pieces with precision, as any inaccuracies can make it difficult to put the puzzle together or affect its appearance in a bad way. We recommend making your puzzle from hardwood with a nice texture. This way, it will have an attractive appearance, it will be durable and long-lasting. This puzzle plan is ideal to make use of the wood remains from your previous projects.

Here you are only offered a puzzle plan with suitable drawings and dimensions. If you are interested in more details on how to make this type of puzzle, there are a large number of texts, videos, and even books on the Internet where you can find all the information you might need.

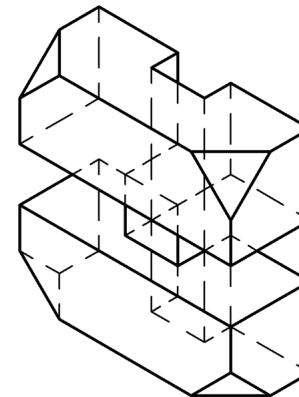
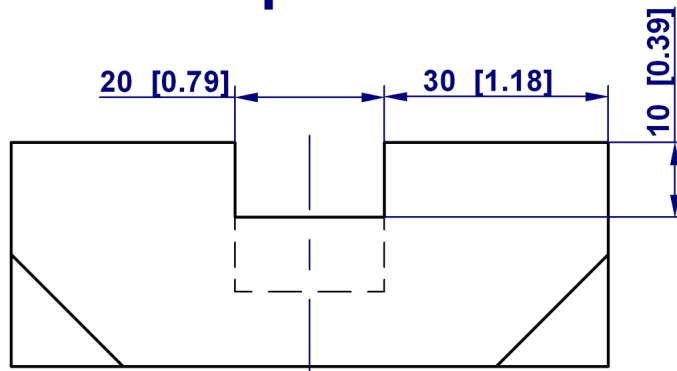
Wooden interlocking puzzle – Parts list

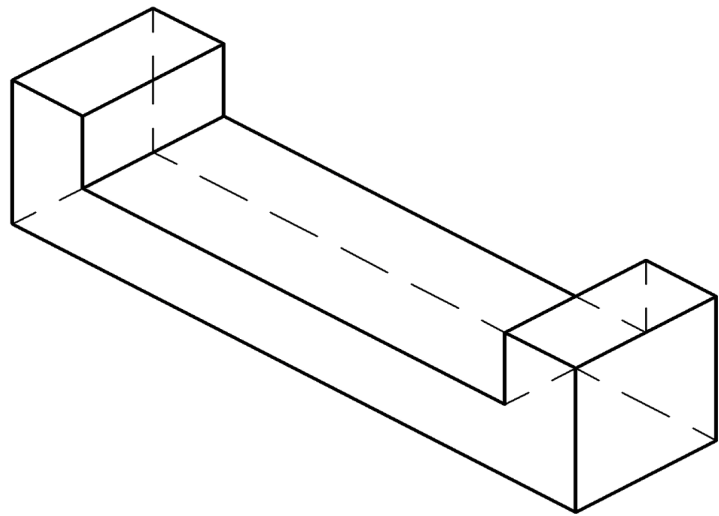
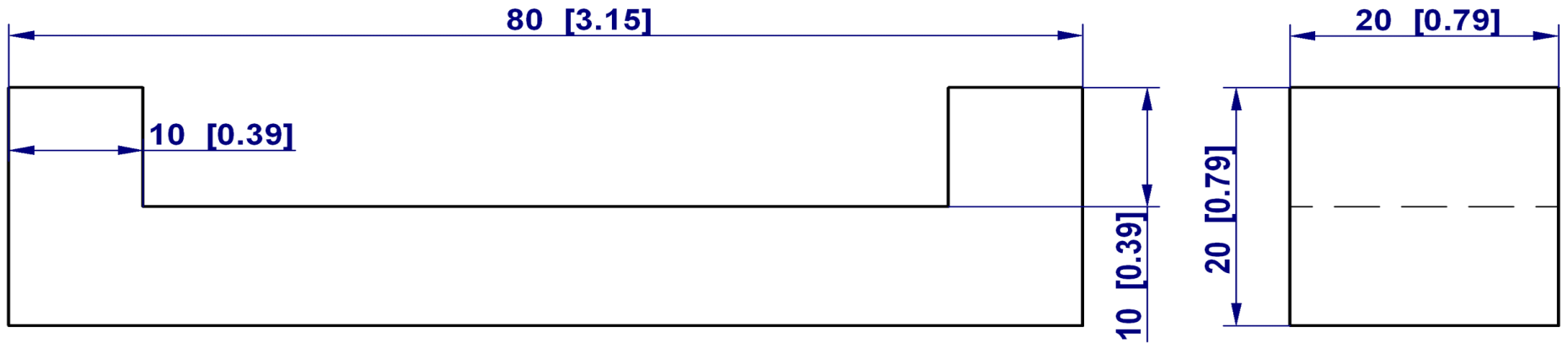


I. N	Title	Material	Quantiti
1	Puzzle part 1	wood	2
2	Puzzle part 2	wood	2
3	Puzzle part 3	wood	2
4	Puzzle part 4	wood	2
5	Puzzle part 5	wood	1
6	Puzzle part 6	wood	2
7	Puzzle part 7	wood	1

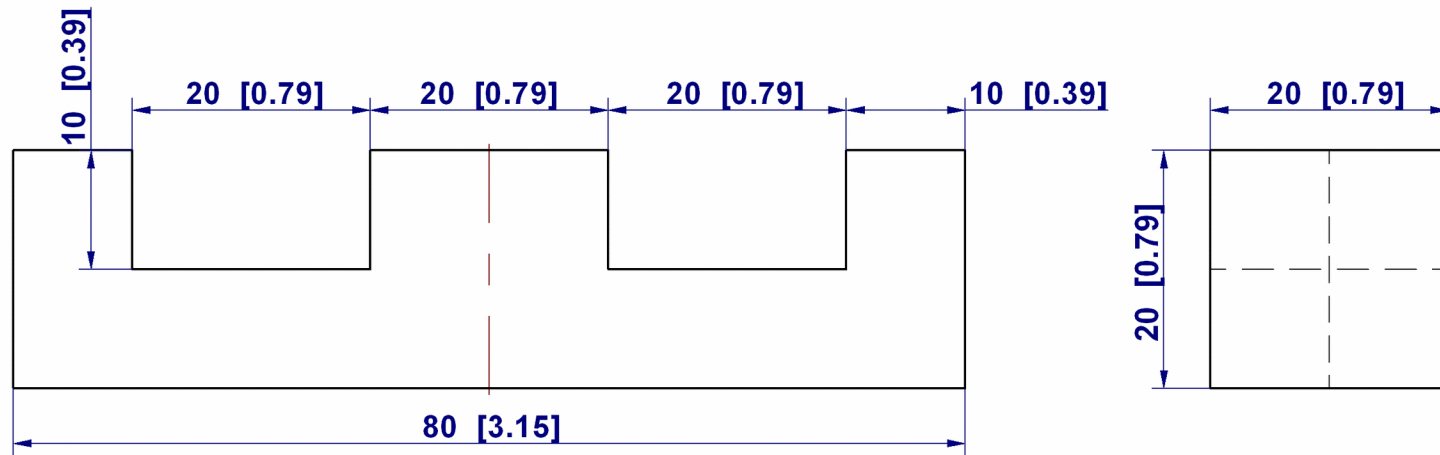


Puzzle part 1

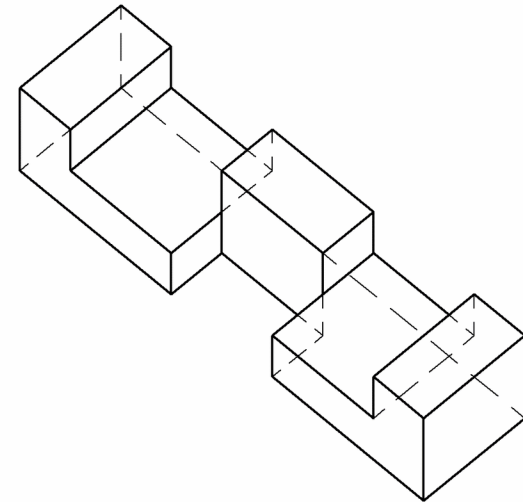
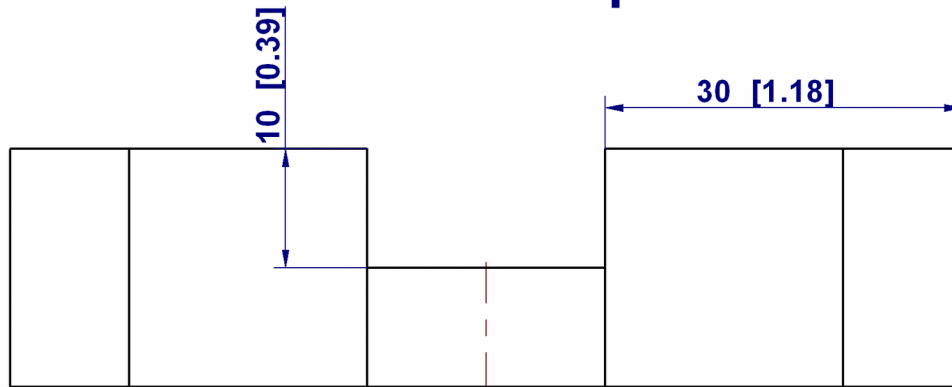




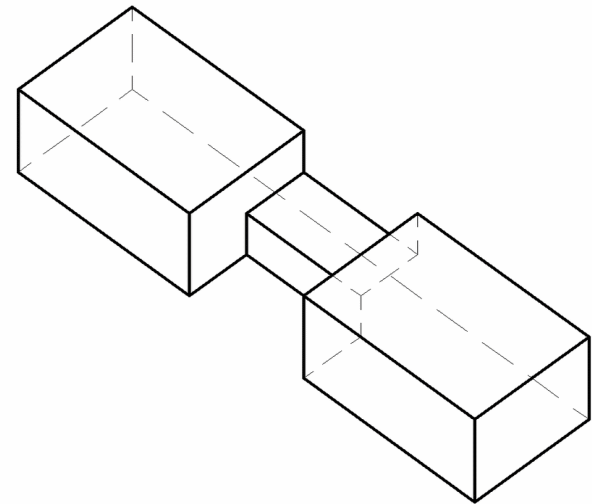
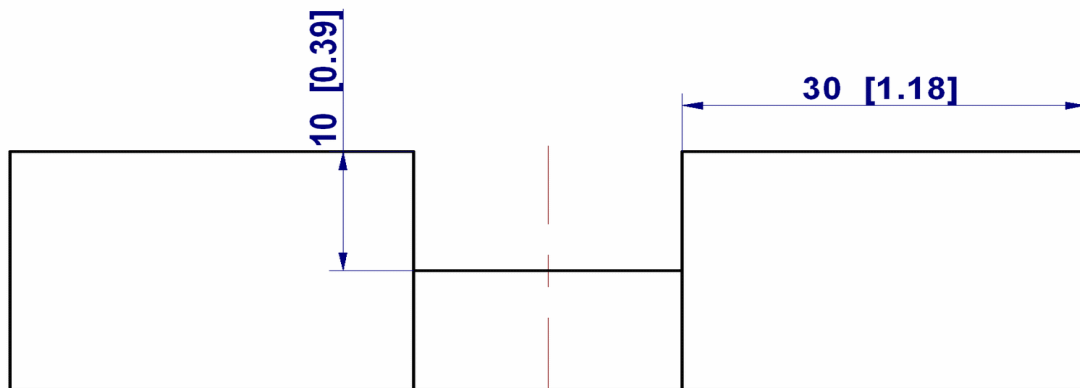
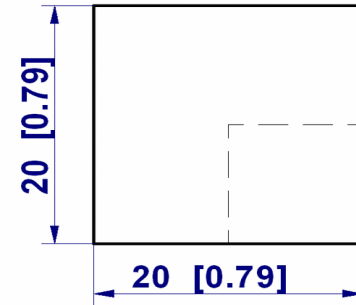
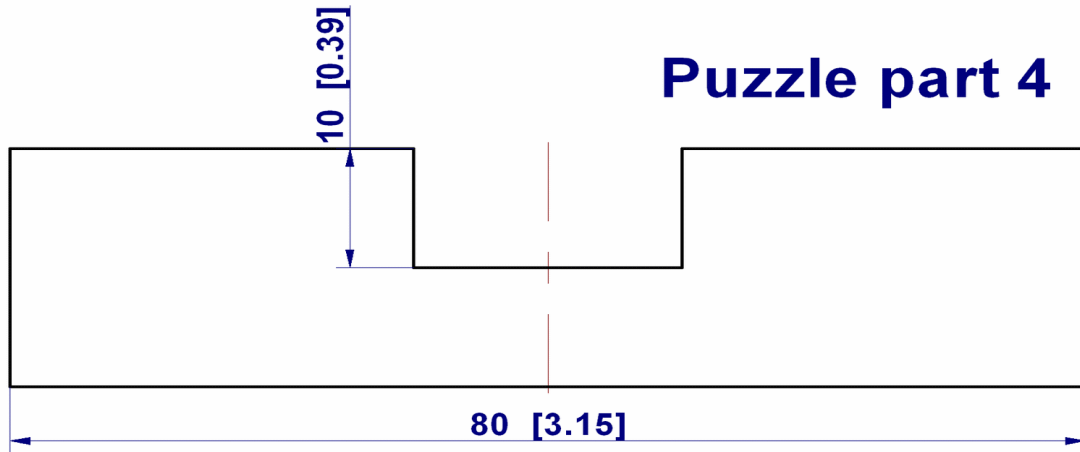
Puzzle part 2

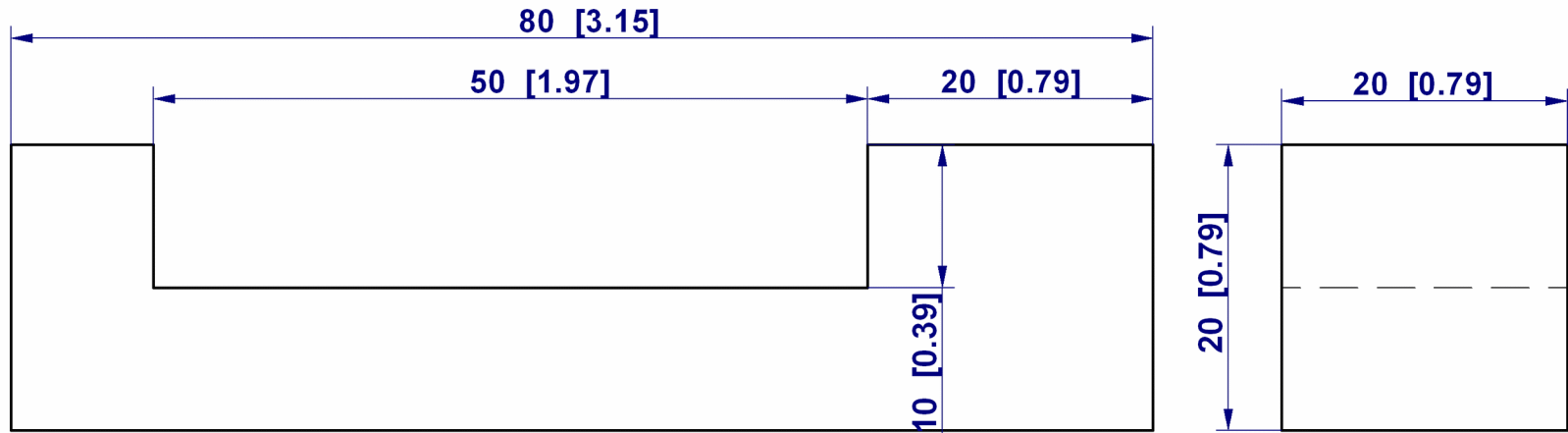


Puzzle part 3

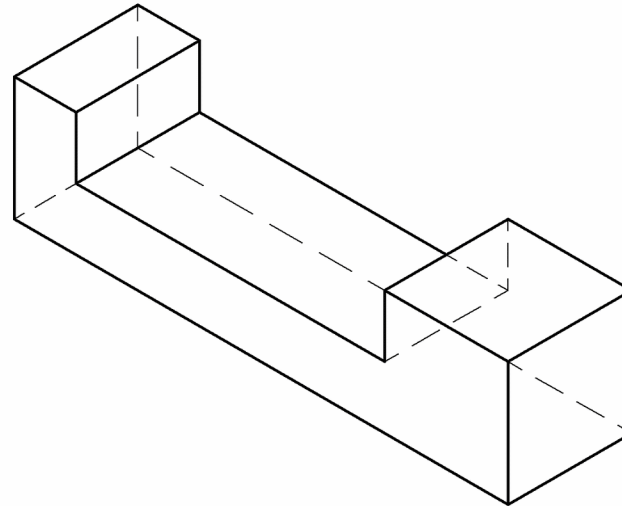


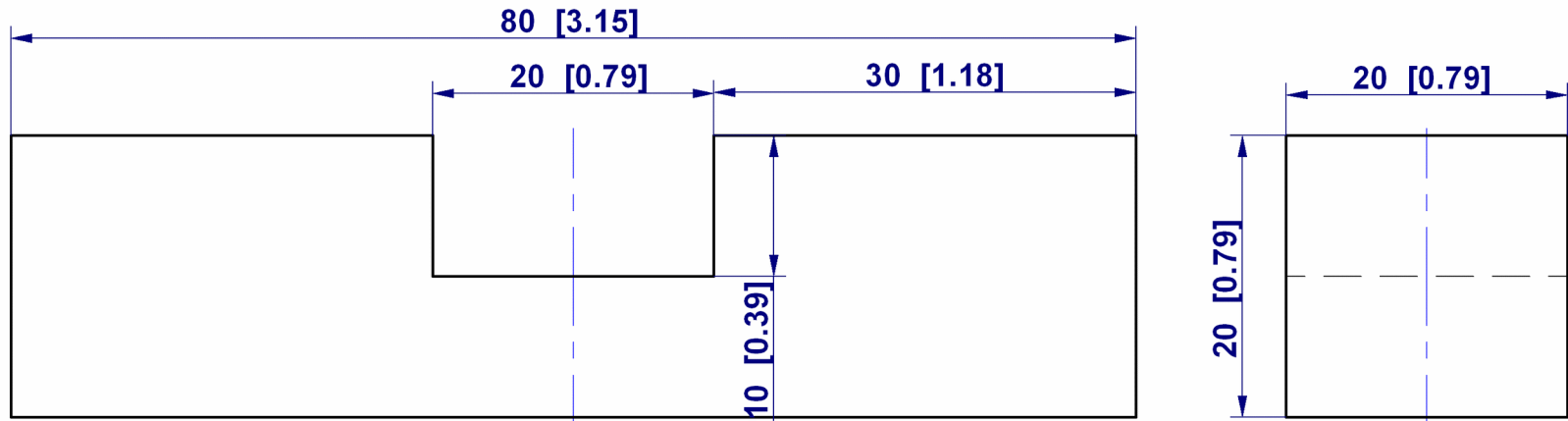
Puzzle part 4



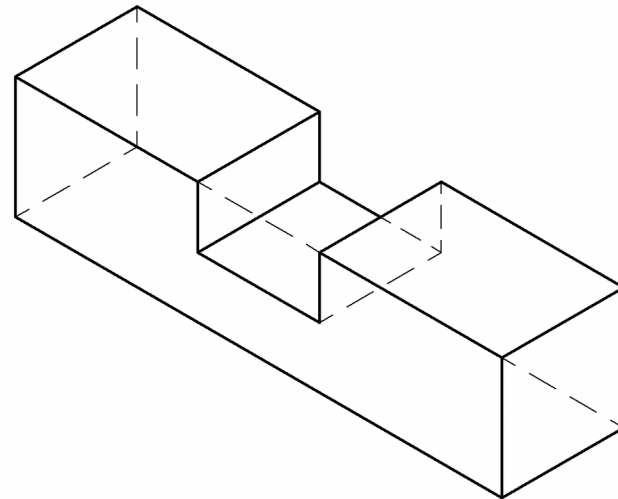


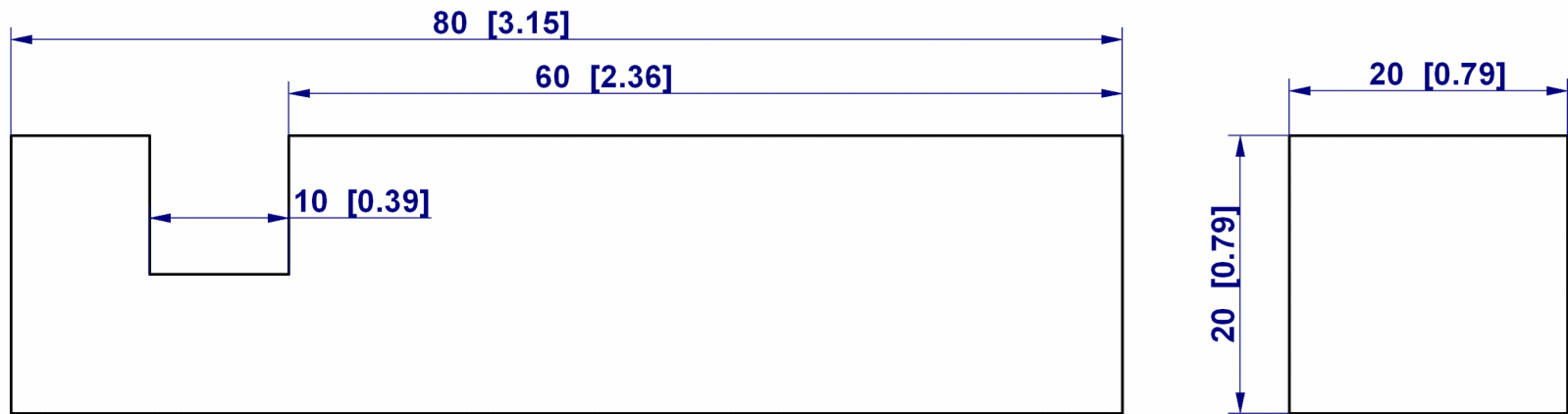
Puzzle part 5



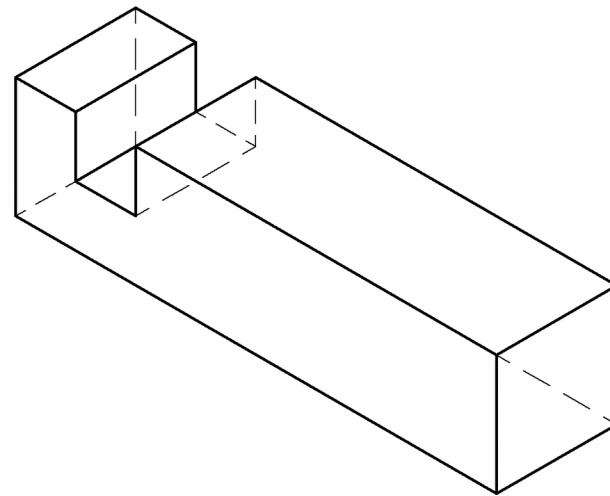


Puzzle part 6



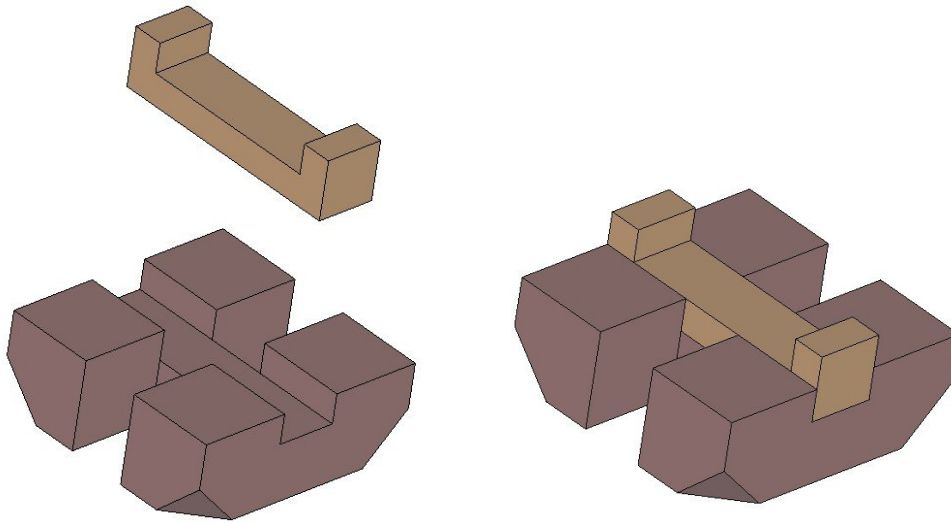


Puzzle part 7

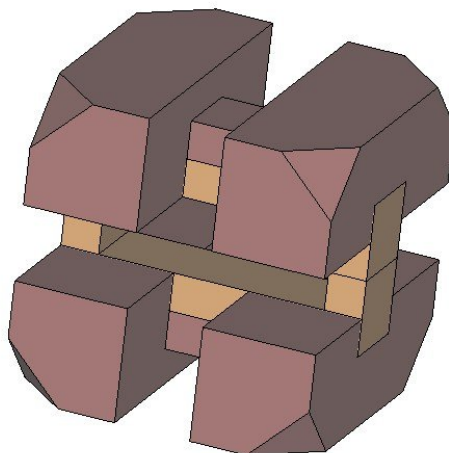
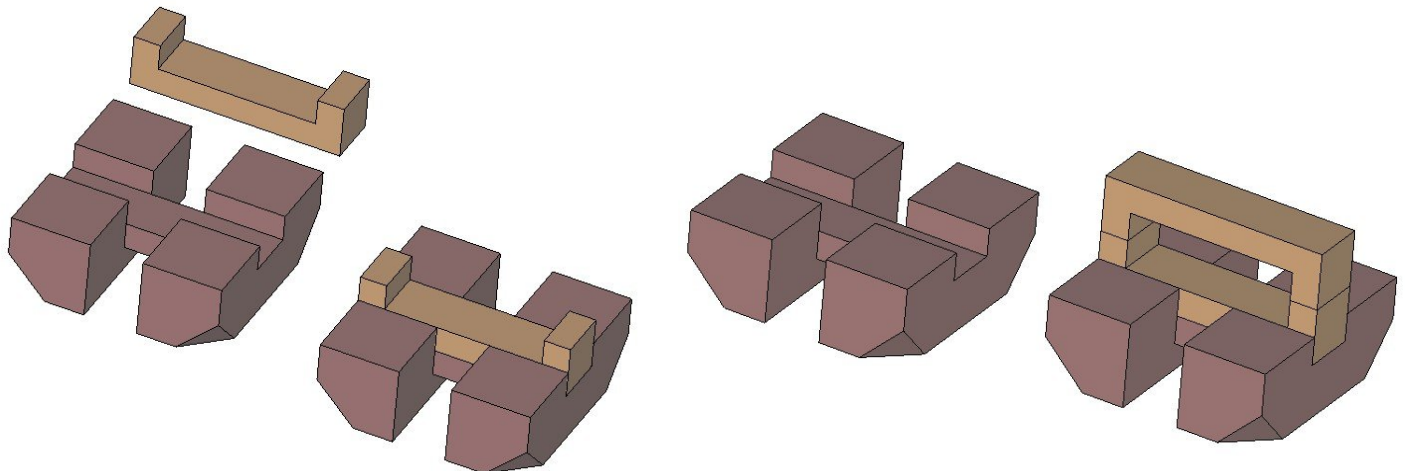


PUZZLE SOLUTION

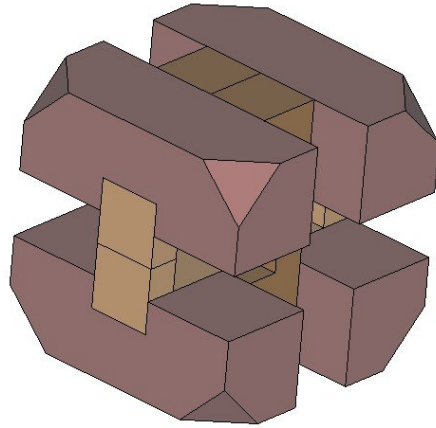
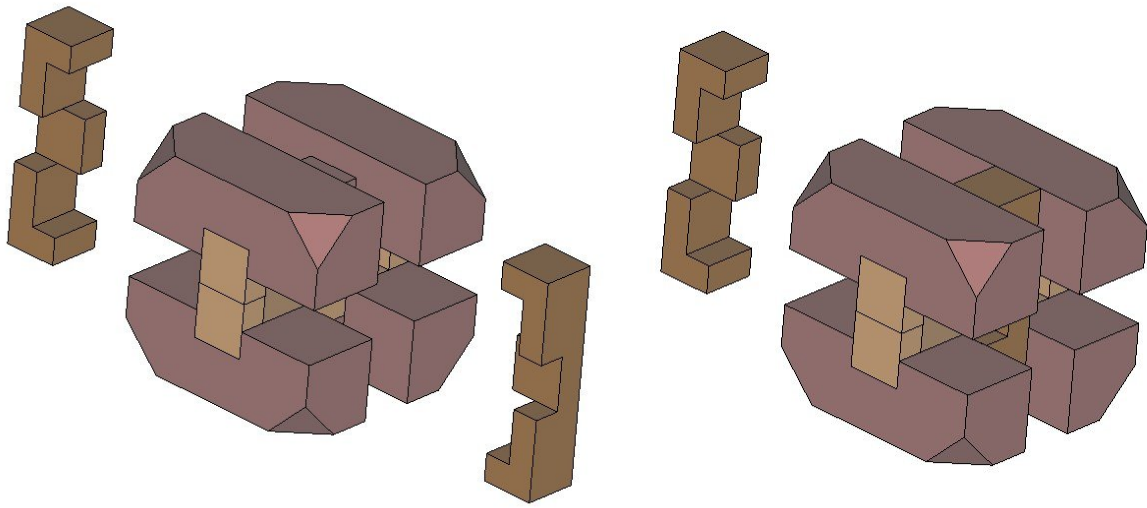
Step 1



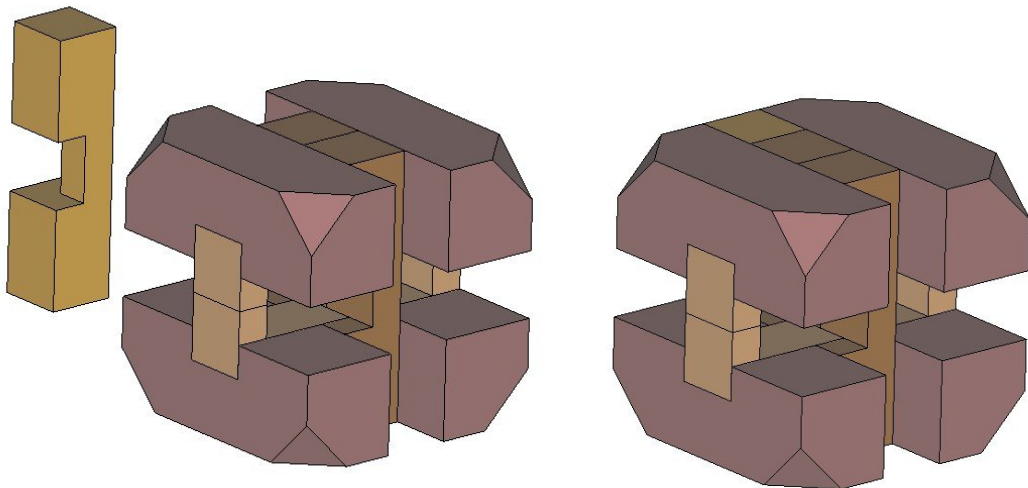
Step 2



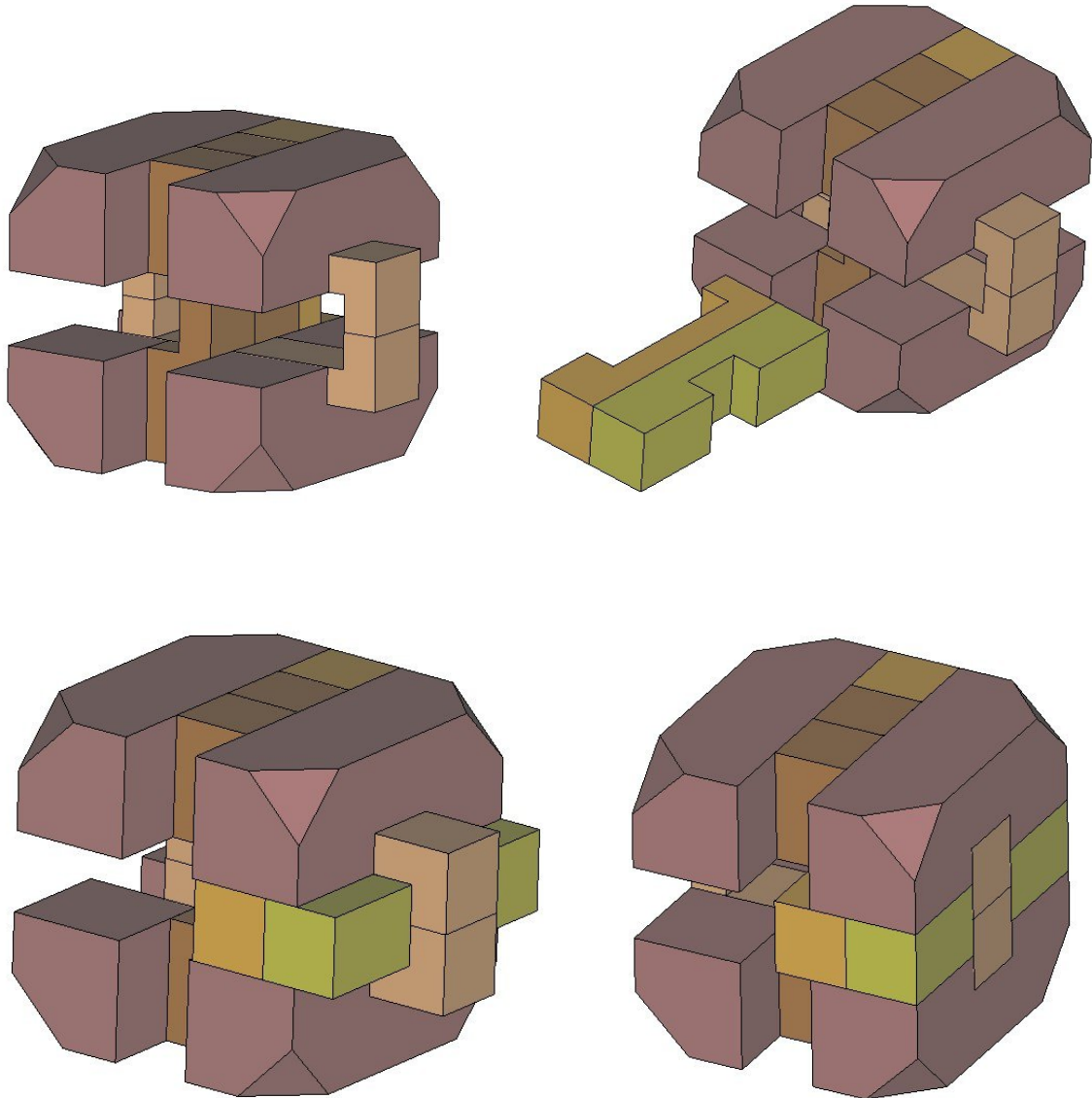
Step 3



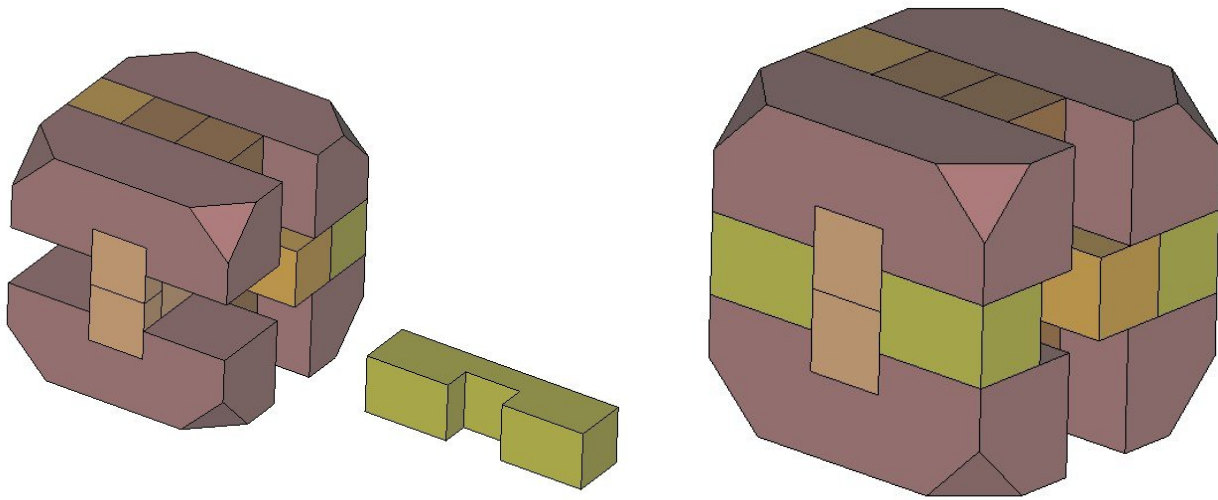
Step 4



Step 5



Step 6



Step 7

