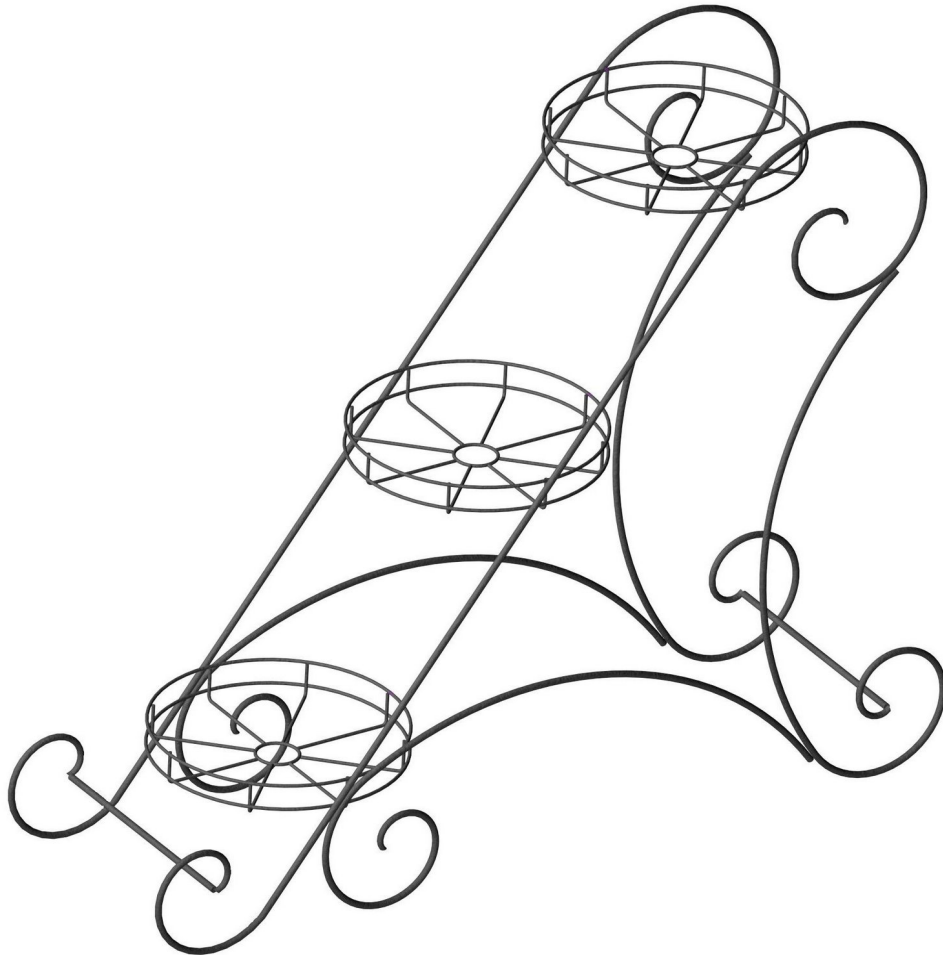


Plant holder plan – Stairway



Here is a plan according to which you can make a plant holder resembling stairs due to its layout of baskets. In this plan, the baskets have a 300mm diameter, so that pots and pads of various sizes can be placed in them. There are 3 baskets on the construction, with enough space between them to place pots of different heights for holding various types of flowers. Of course, you can change the design of the entire plant holder (or just the baskets) and adapt it to the dimensions that suit you.

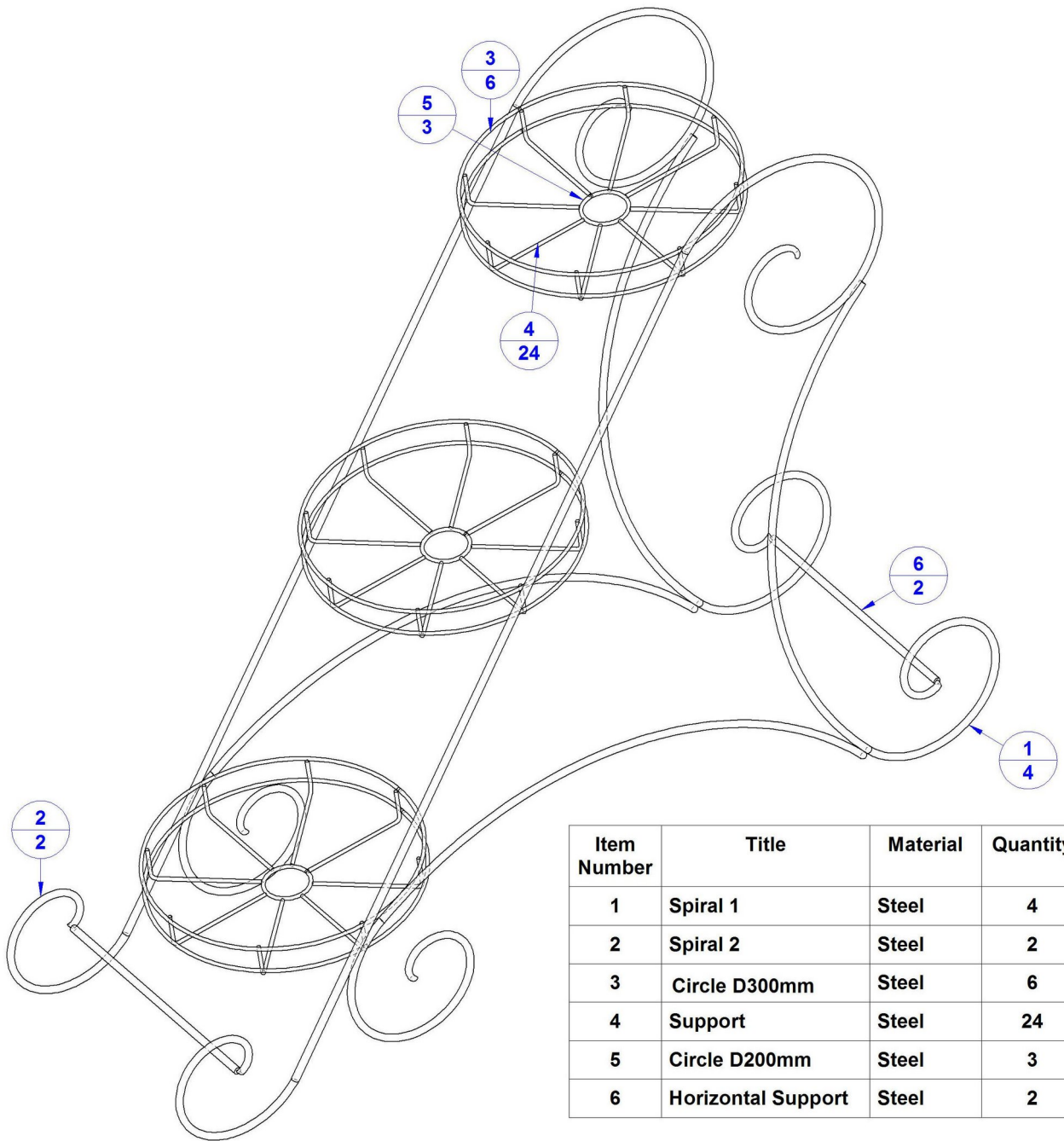
There are several parts on the construction that are decorated with scrolls, but today there is a large number of shops specializing in the sales of wrought iron components where you can buy beautiful ornamental parts with which you can turn this plant holder into a real art piece. If you dislike the way how our baskets have been made, feel free to change their design (you could even make them from wood). All in all, the plant holder offered to you here looks interesting, it is simple and practical, and we are sure that anyone who decides to make it will have a beautiful plant holder full of flowers in the house. Not to mention that the girlfriend/wife/mother/sister will be proud of both of her flowers and her beloved one who has made her such a beautiful plant holder to keep them in!

For the making of this plant holder you will need only the basic metalworking tools (angle grinder, clamps, bending tool) and a welding machine. The parts need to be cut to the desired measurements and bended using a metal bender (if you do not have a bender, do it manually). At least a little experience in metal processing and welding will be required from you. Should this not be the case, you can always ask someone to do the welding for you, but we still hope that you will be challenged yourselves to gain more experience and overcome the beginner level.

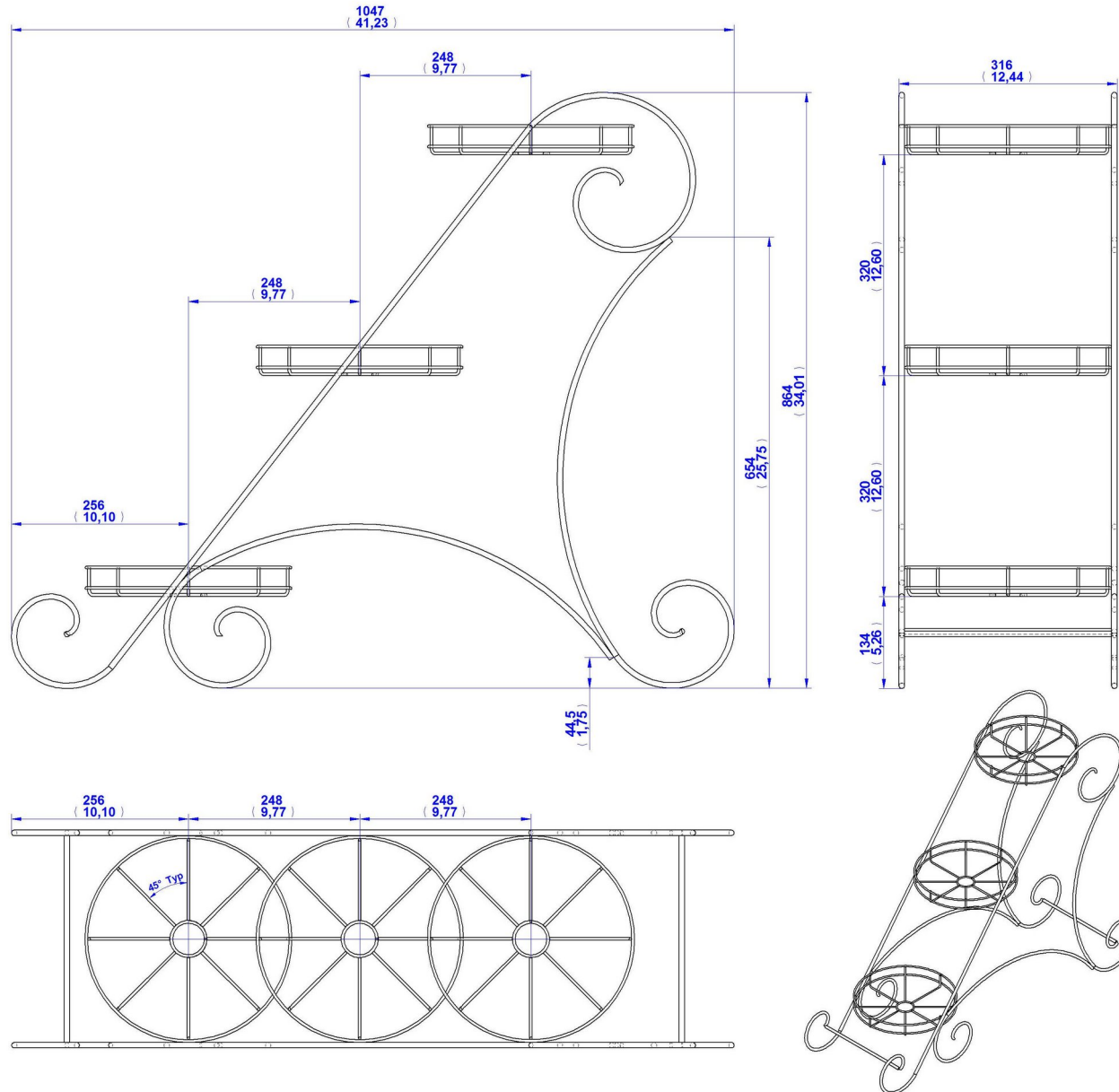
Be sure to protect the construction from corrosion with a primer paint for metal, and then paint the construction with a color that will match the flowers and other objects or furniture surrounding it.

All the parts of this assembly are made out of the standard section steel bar (D4mm (0,16in) and D8mm (0,315in) – Round section) by simple cutting, bending and welding.

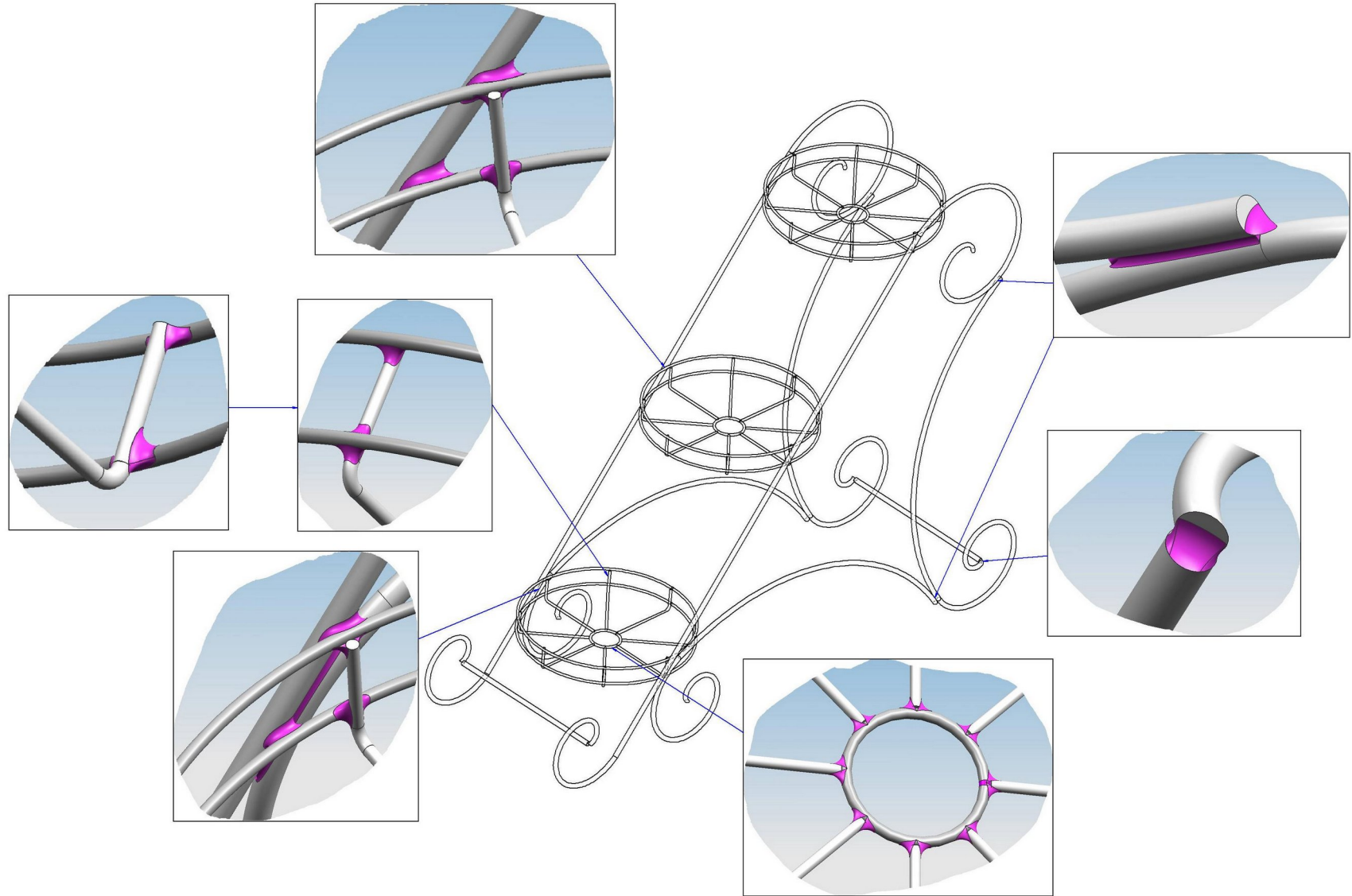
Parts List



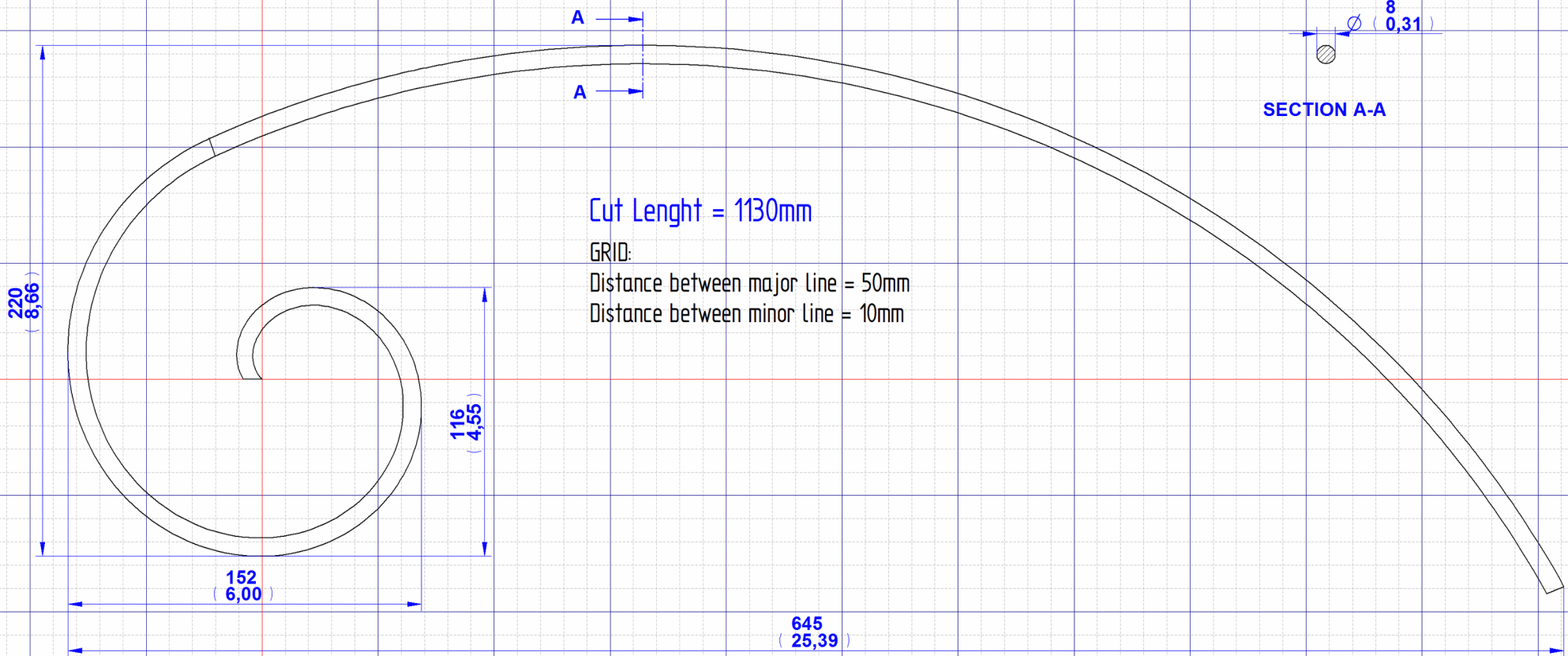
Assembly Drawing



Position of welds



1. Spiral 1



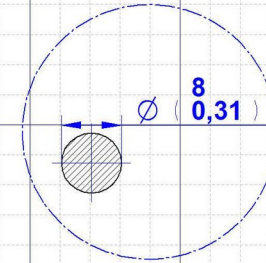
1206
(47,49)

Cut Length 2040,00mm

GRID:

Distance between major Line = 100mm

Distance between minor Line = 20mm



DETAIL B

415
(16,33)

264
(10,37)

209
(8,24)

994
(39,13)

A

A

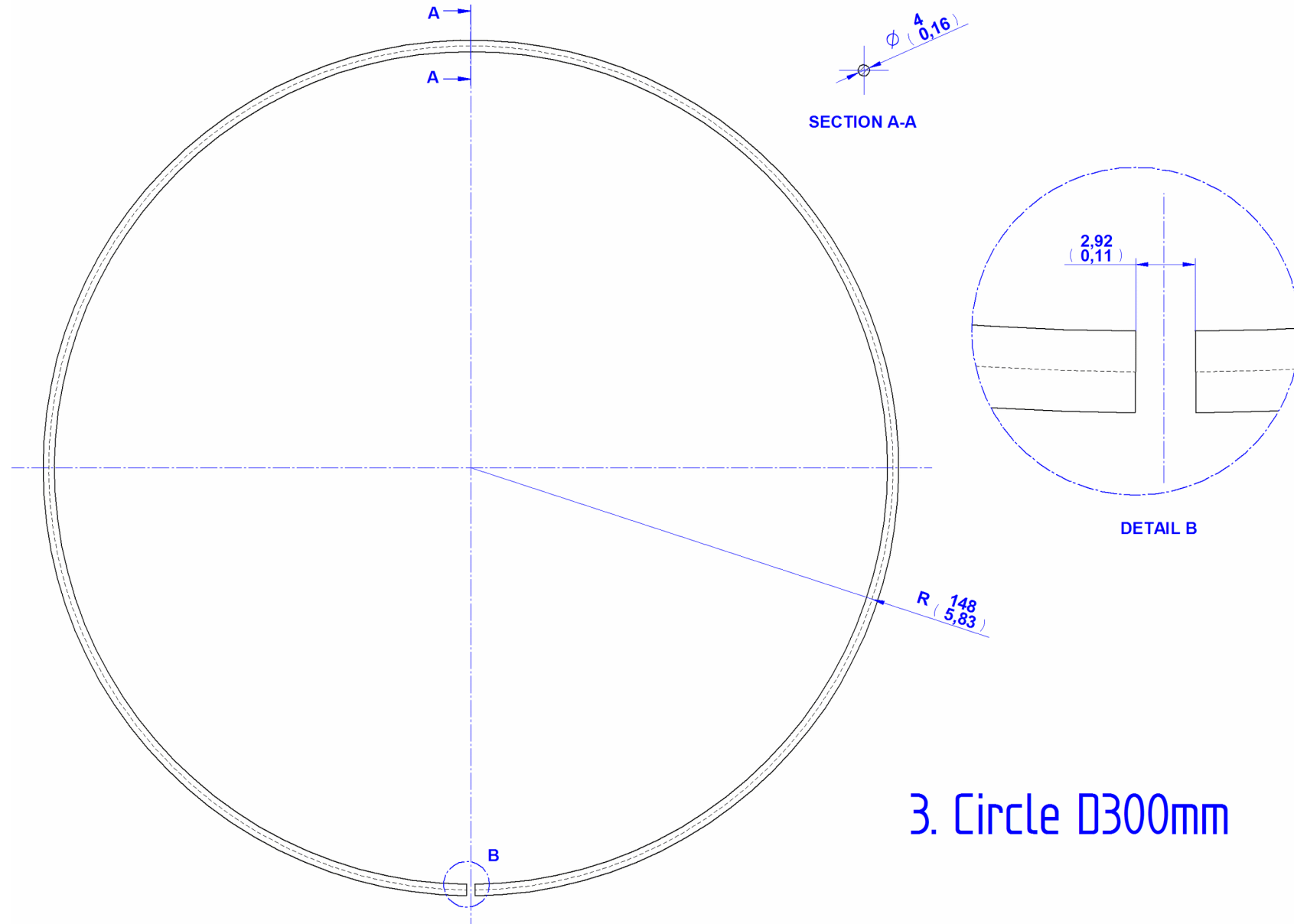
B

SECTION A-A

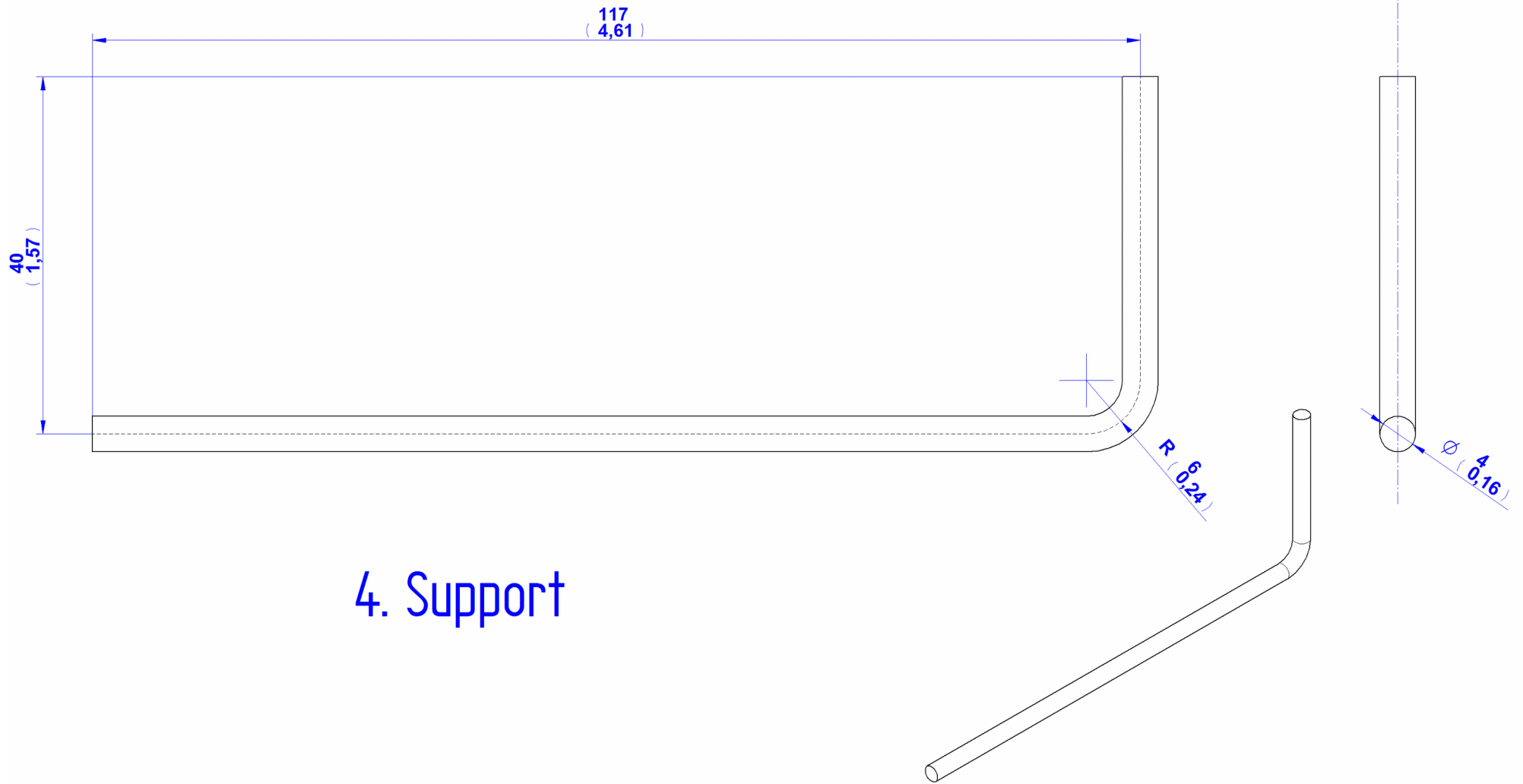
159
(6,27)

121
(4,76)

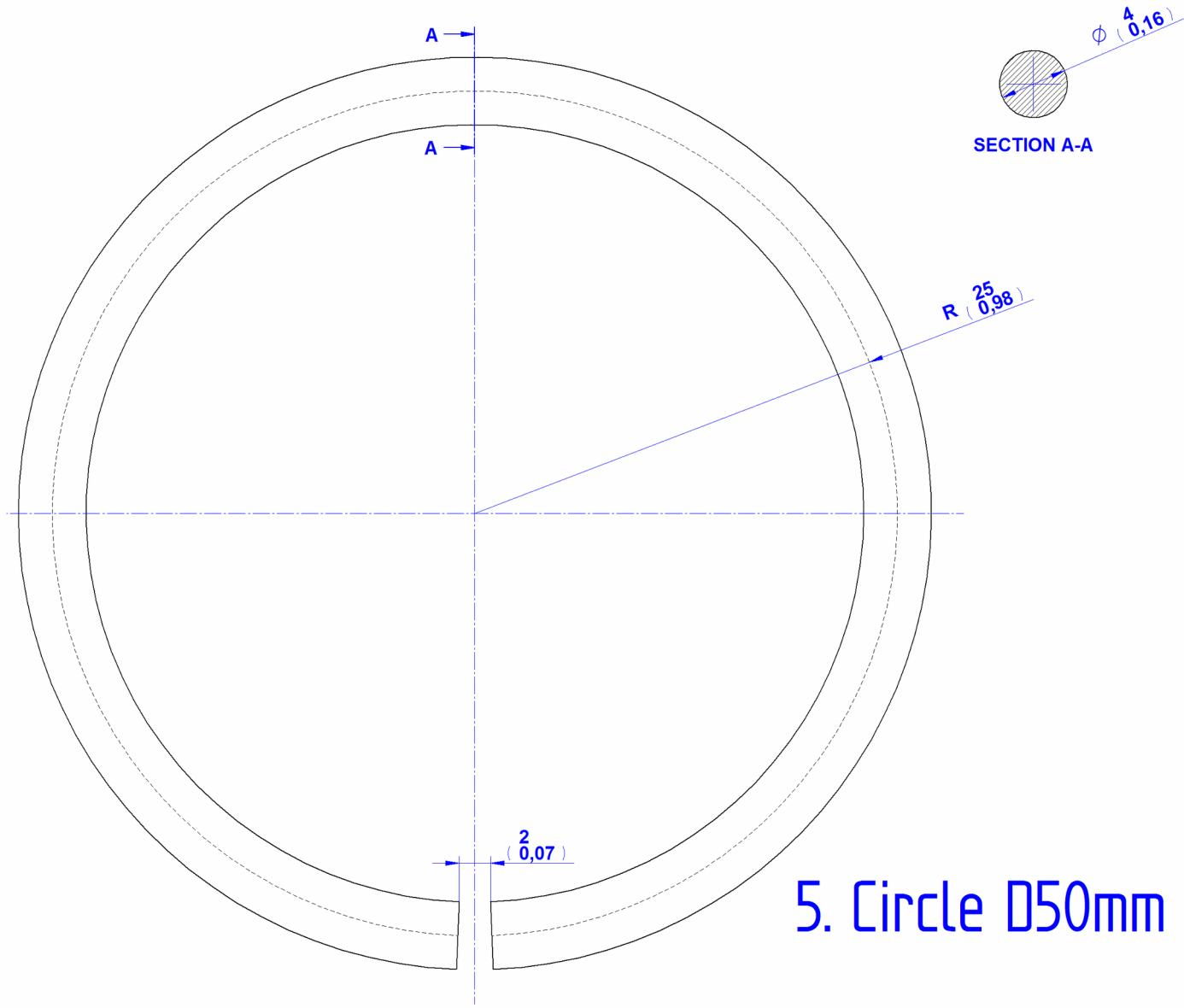
2. Spiral 2

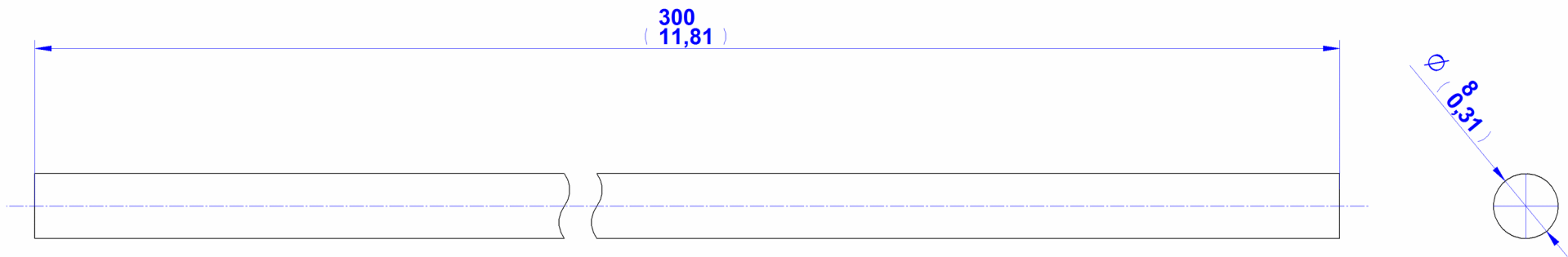


3. Circle Ø300mm



4. Support





6. Horizontal Support