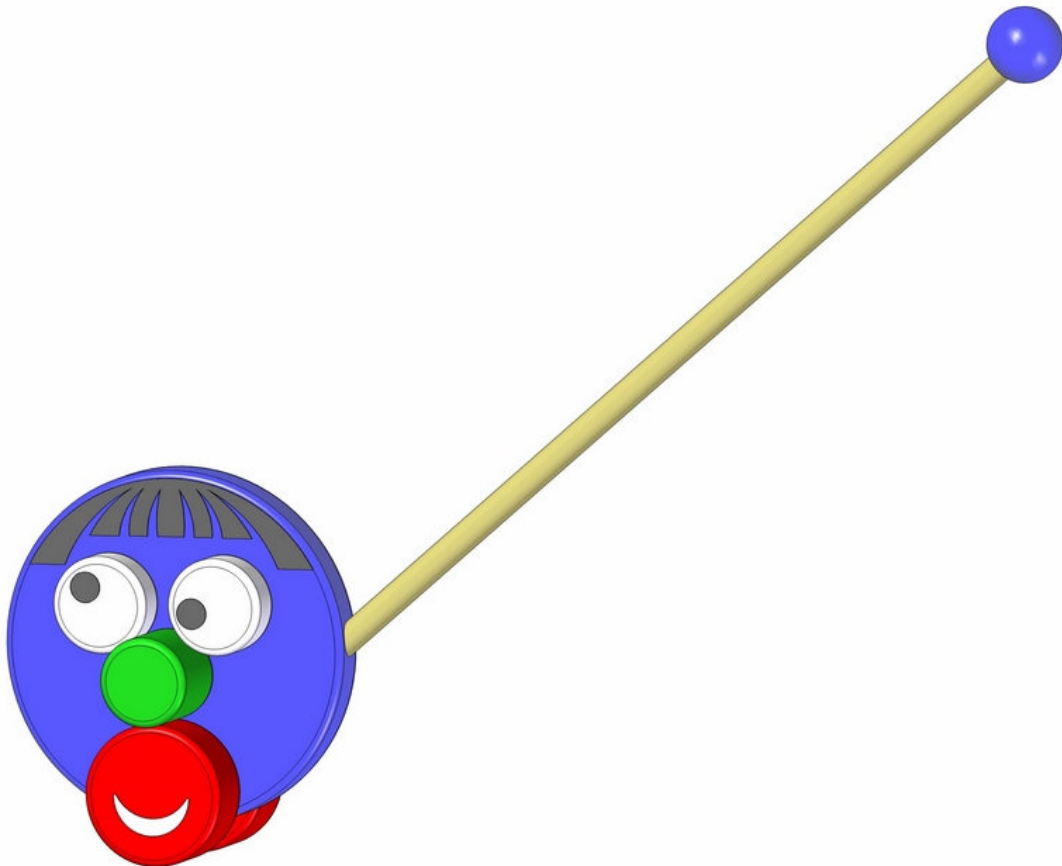


Happy push toy

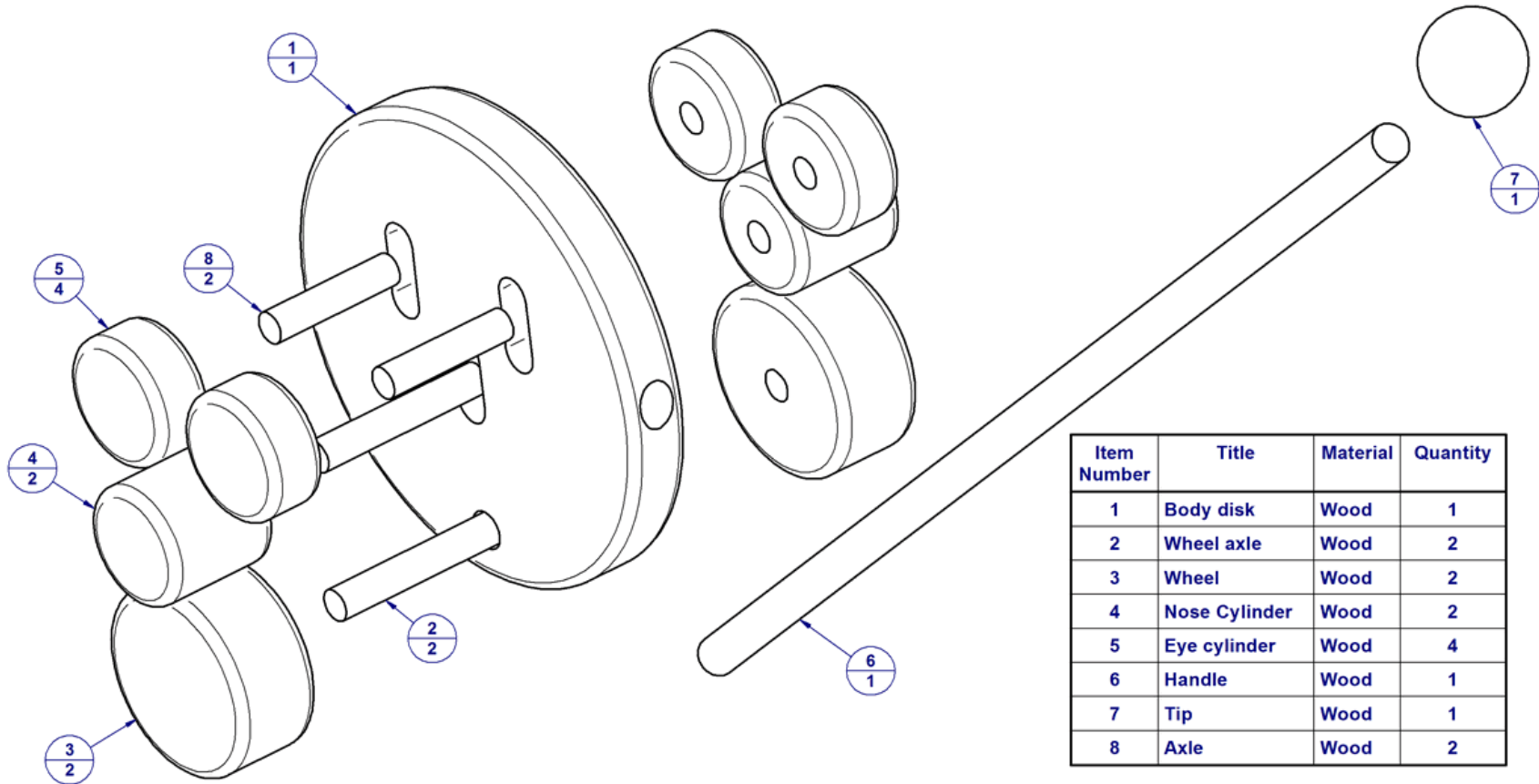
Push toys are very popular for kids aged 4 to 5 years and older, because these toys are energy consuming and child in this period are full of energy to spend. Happy push toy made by our plan are very interesting, because rotating the wheels consequently rotate the nose and the eyes on the toys face, so altogether look very funny.

You can make this push toy even in less equipped workshop. For manufacturing, you can use hardwood scraps and within few hours you can turn them into a perfect gift for children.

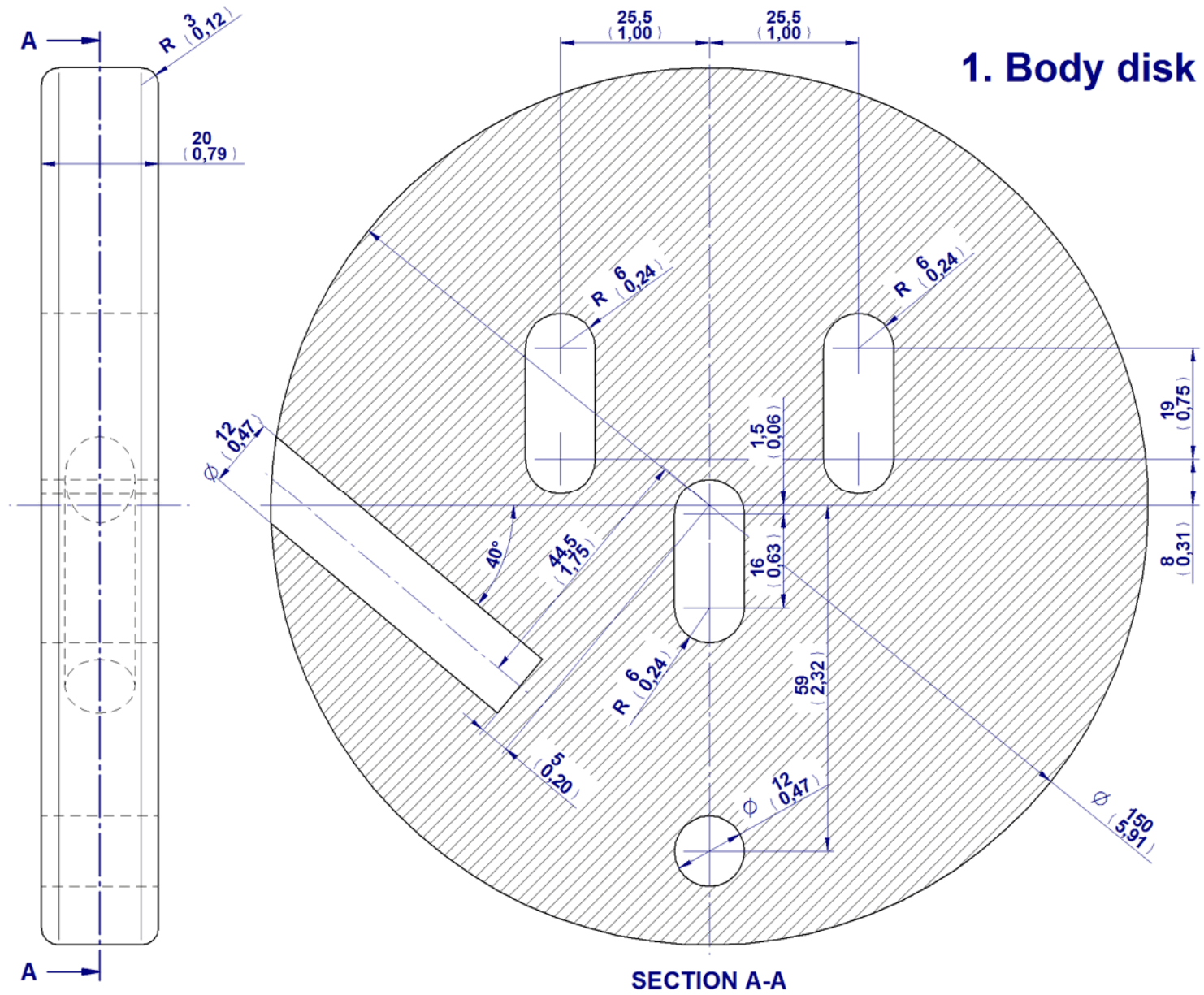
This toy has a simple construction and easy assembly. Cut all parts following the plan and sand them carefully. All surfaces should be perfectly smooth and edges should be rounded. Carefully locate and drill holes for axles of movable part to ensure smooth and proper movement of all rotational parts. Dry fit enable you to check if wheels and rotational parts turns freely. Paint the parts using bright nontoxic colors. To extend life of this toy, finish it with few layers of clear waterproof varnish. Do not get any paint and varnish inside any hole where you will be gluing axles. Insert the wheel axle into its hole and glue wheels on it. Repeat this procedure for nose and eyes parts. Remove all sufficient glue to ensure freely rotation of all axles.

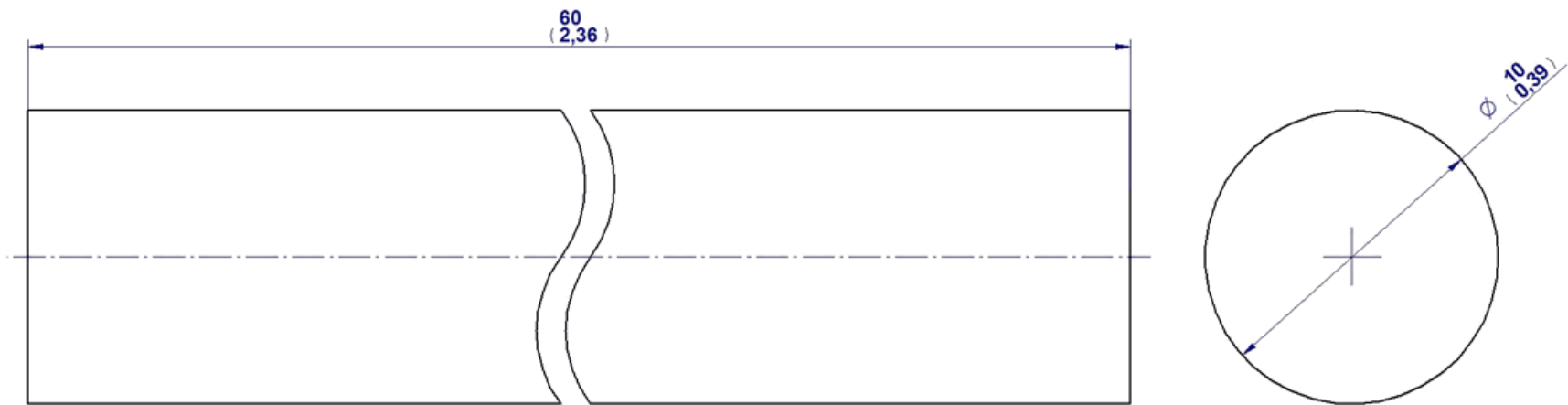


Happy push toy - Parts list

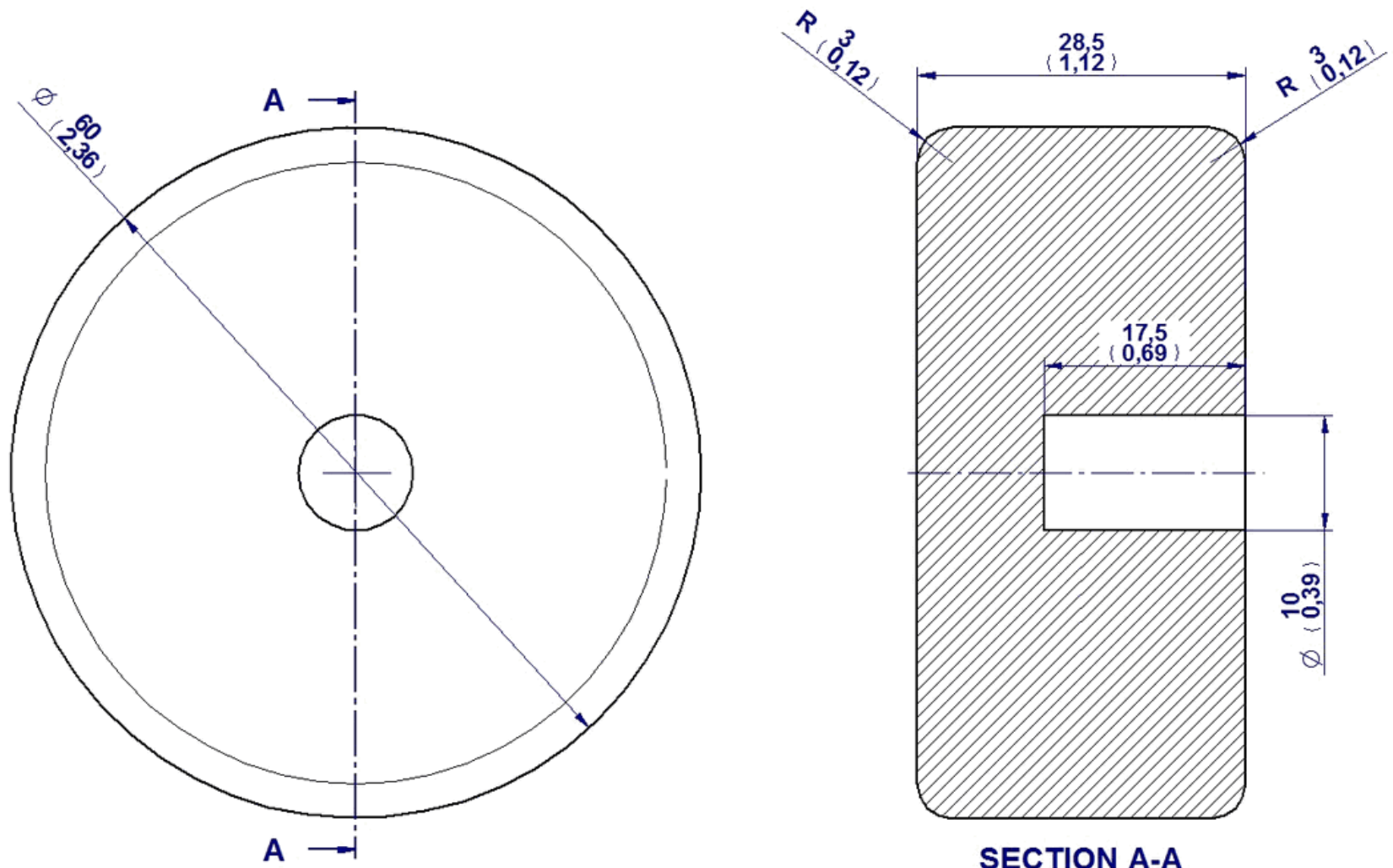


Item Number	Title	Material	Quantity
1	Body disk	Wood	1
2	Wheel axle	Wood	2
3	Wheel	Wood	2
4	Nose Cylinder	Wood	2
5	Eye cylinder	Wood	4
6	Handle	Wood	1
7	Tip	Wood	1
8	Axle	Wood	2

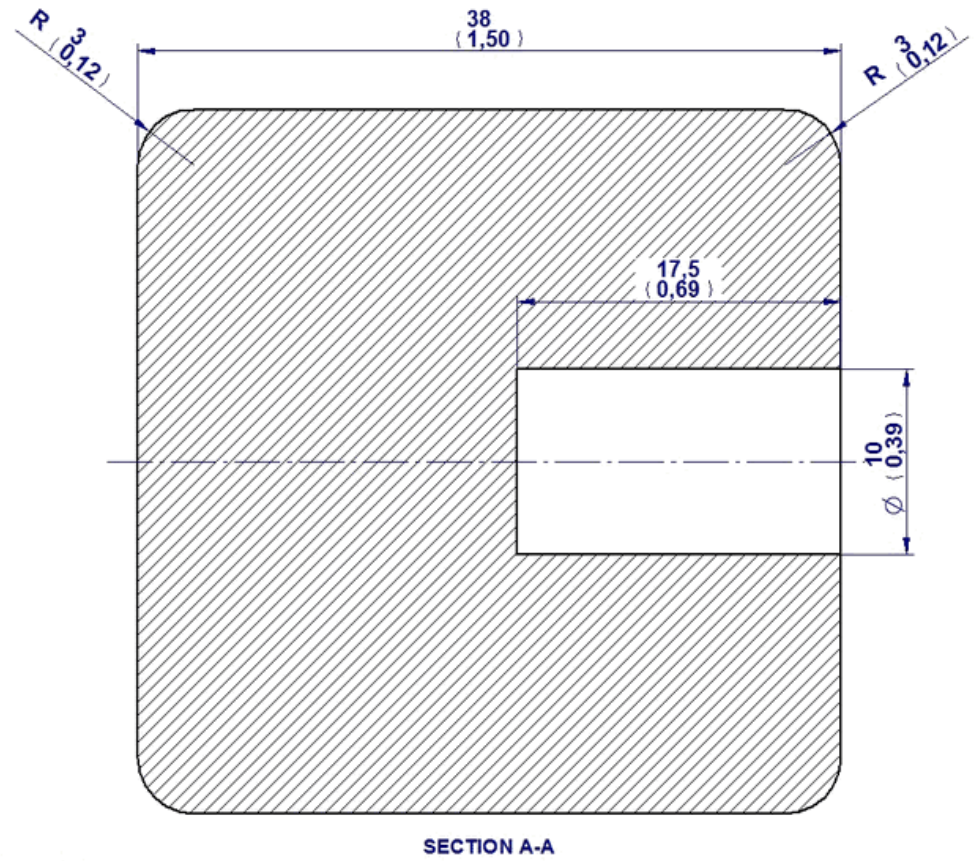
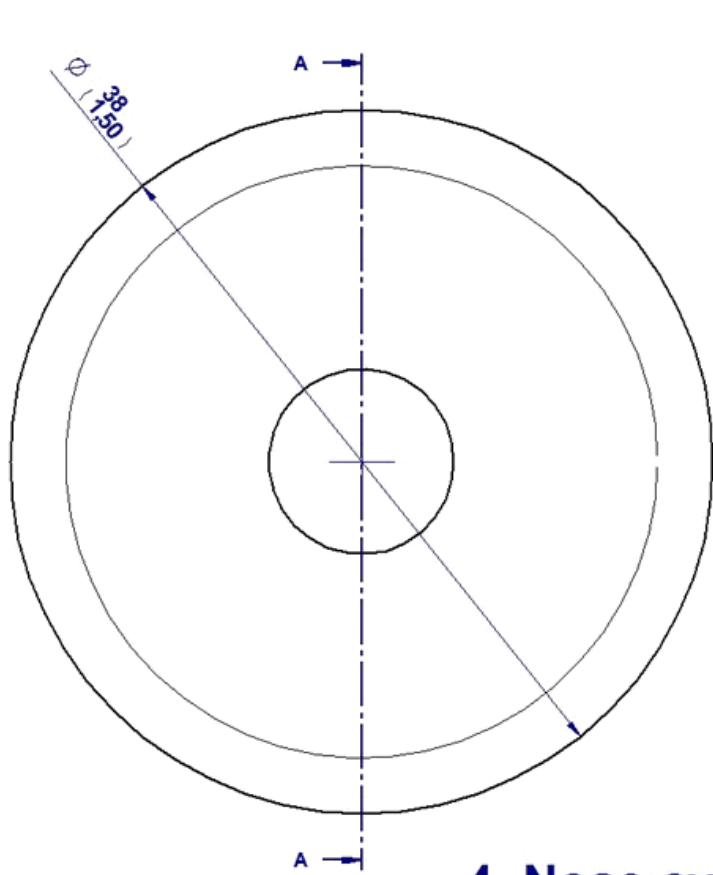




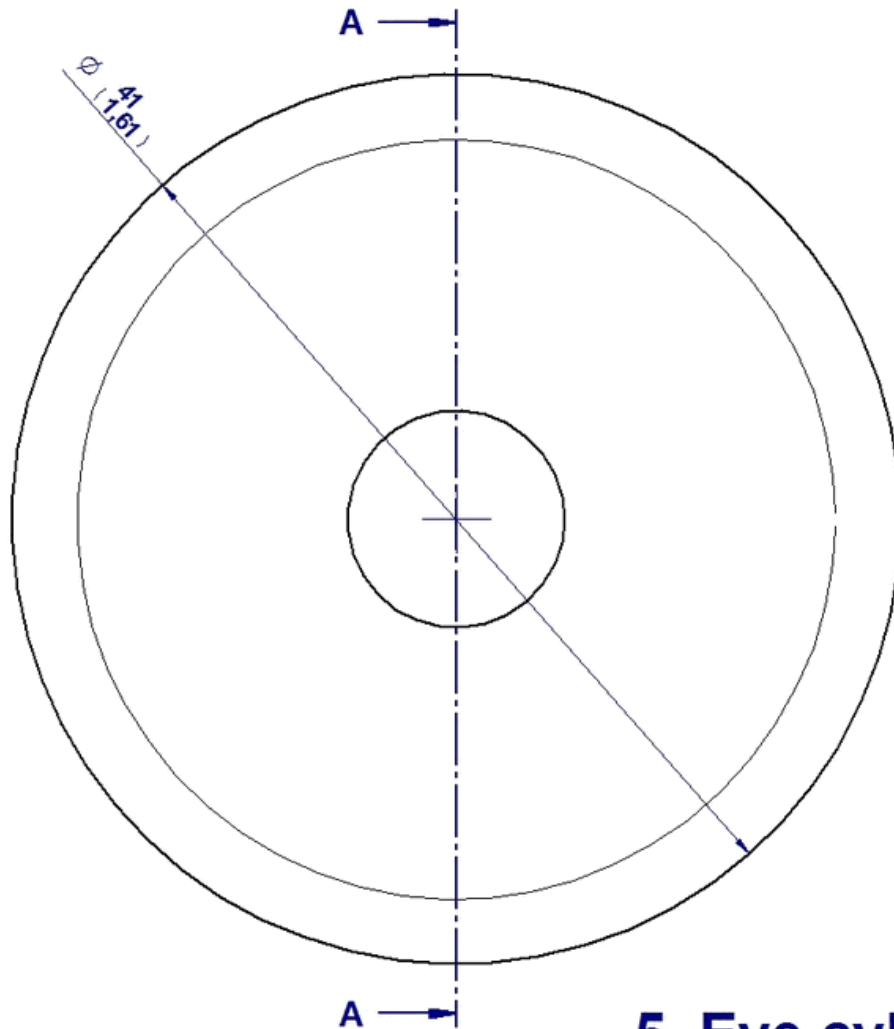
2. Wheel axle



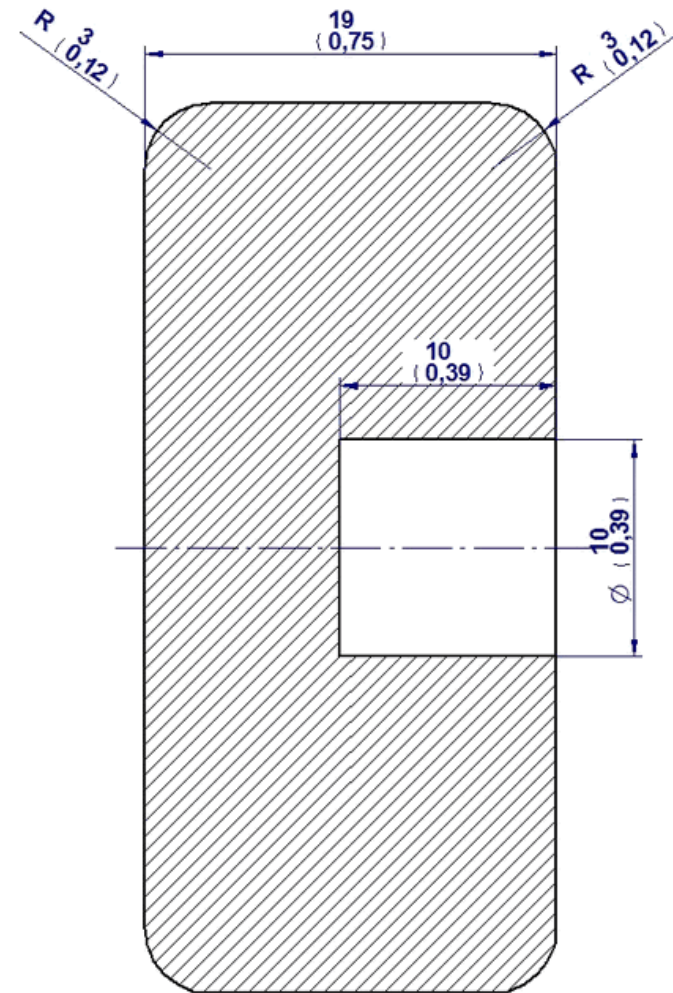
3. Wheel



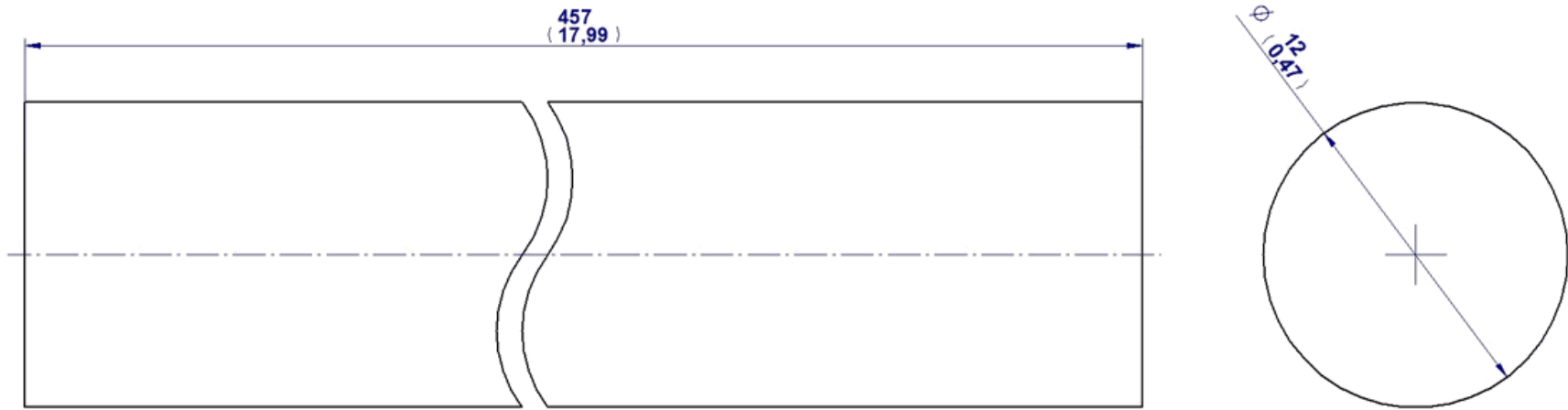
4. Nose cylinder



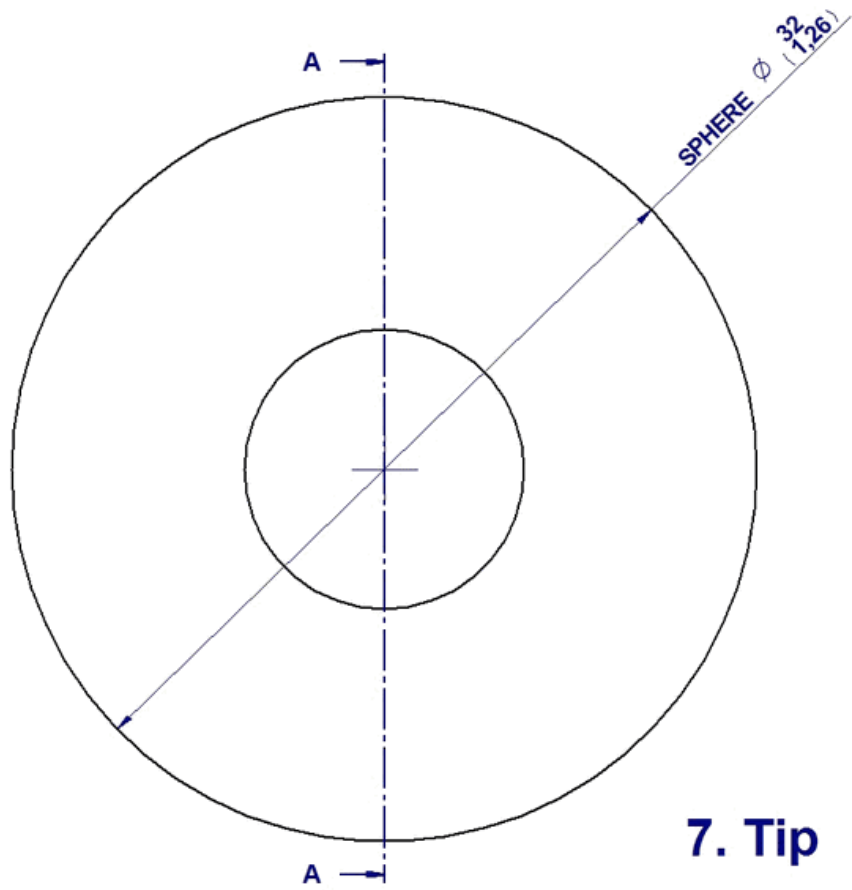
5. Eye cylinder



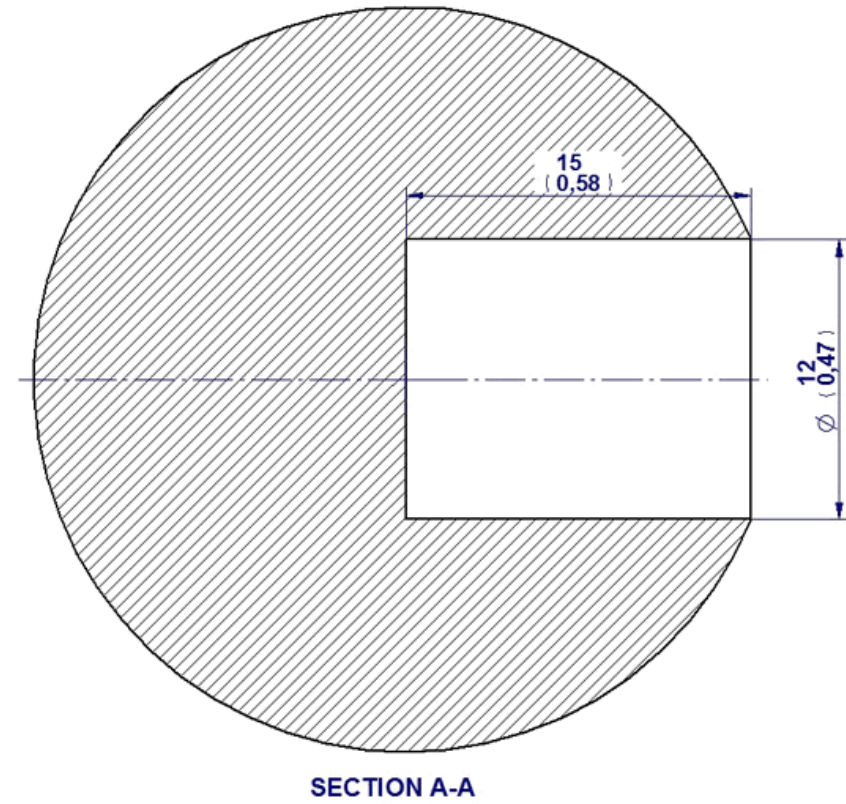
SECTION A-A

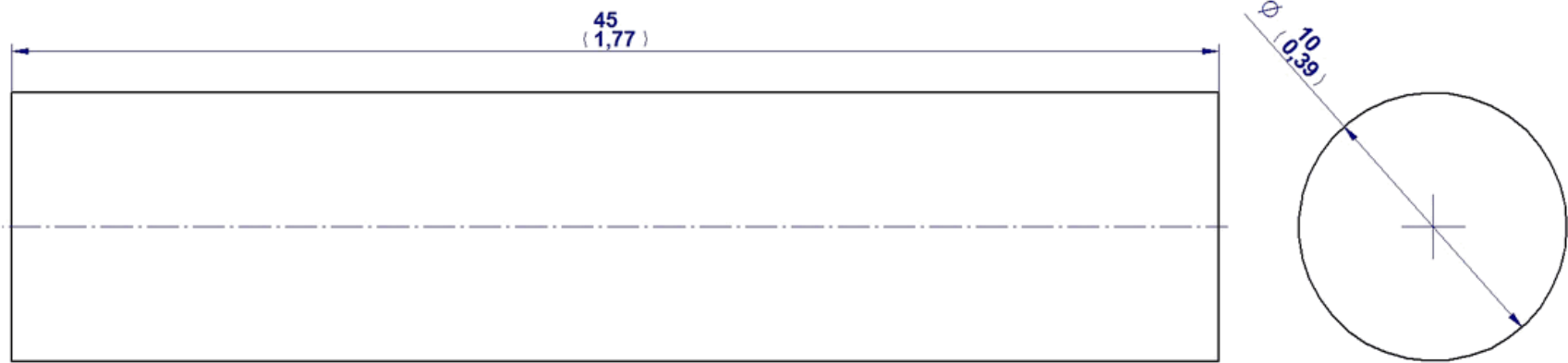


6. Handle



7. Tip

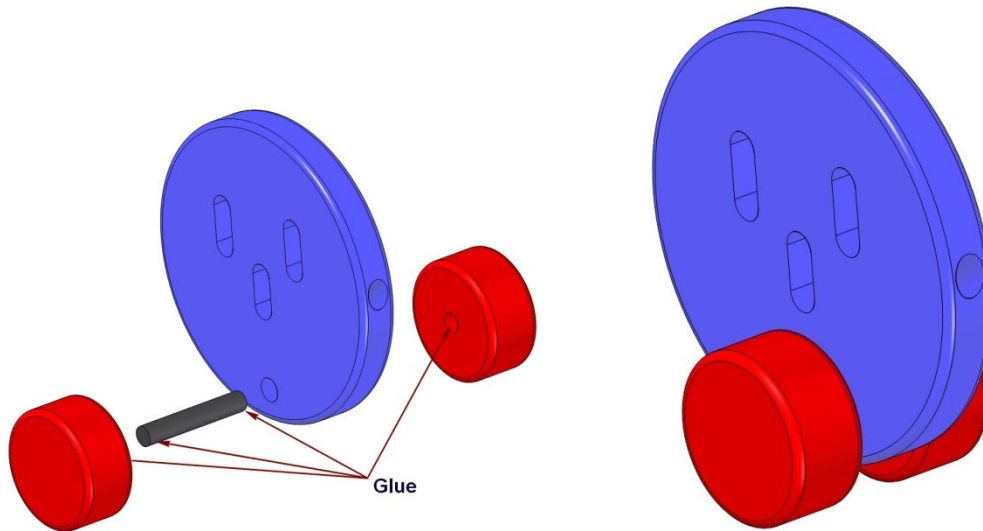




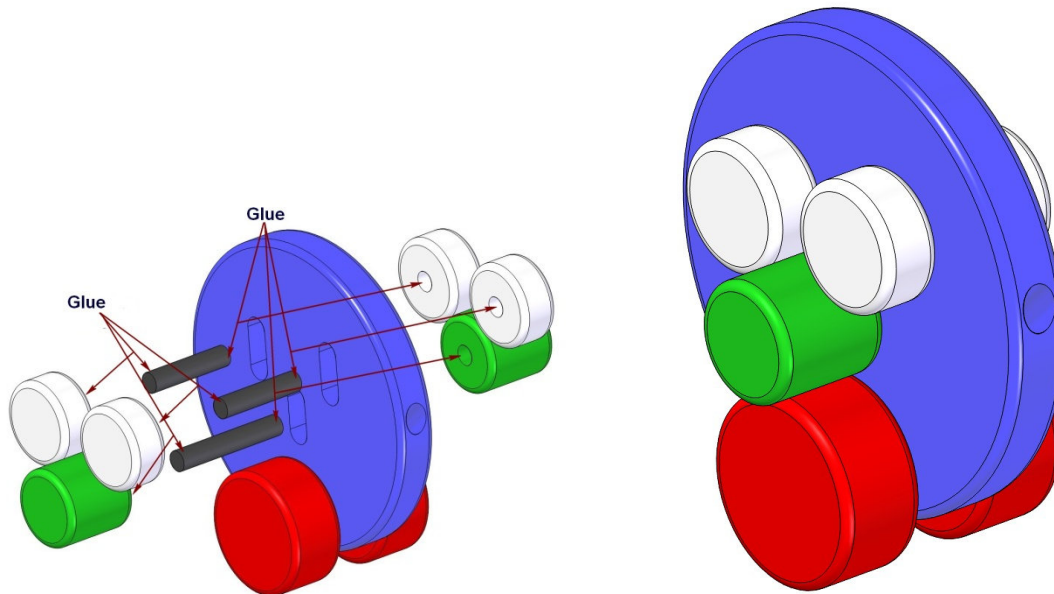
8. Axle

Assemblage steps

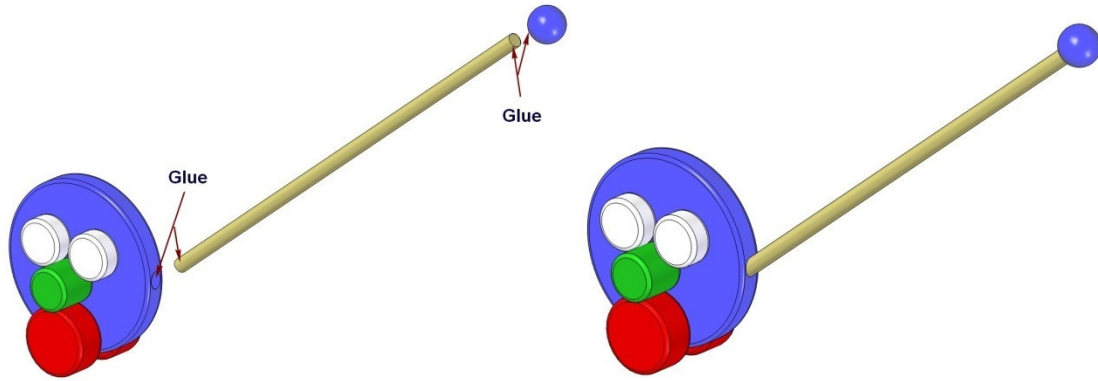
STEP 1



STEP 2



STEP 3



STEP 4

