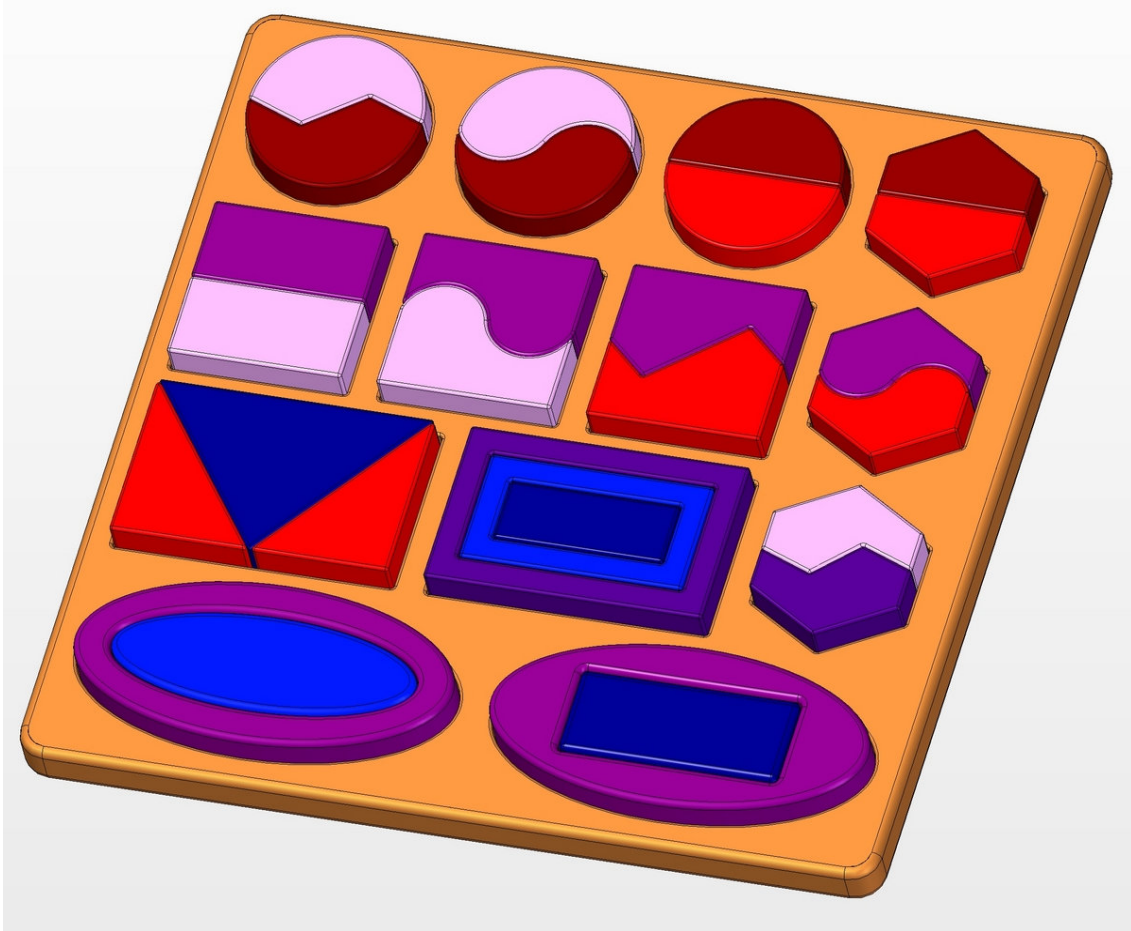


BOARD WITH GEOMETRICAL SHAPE

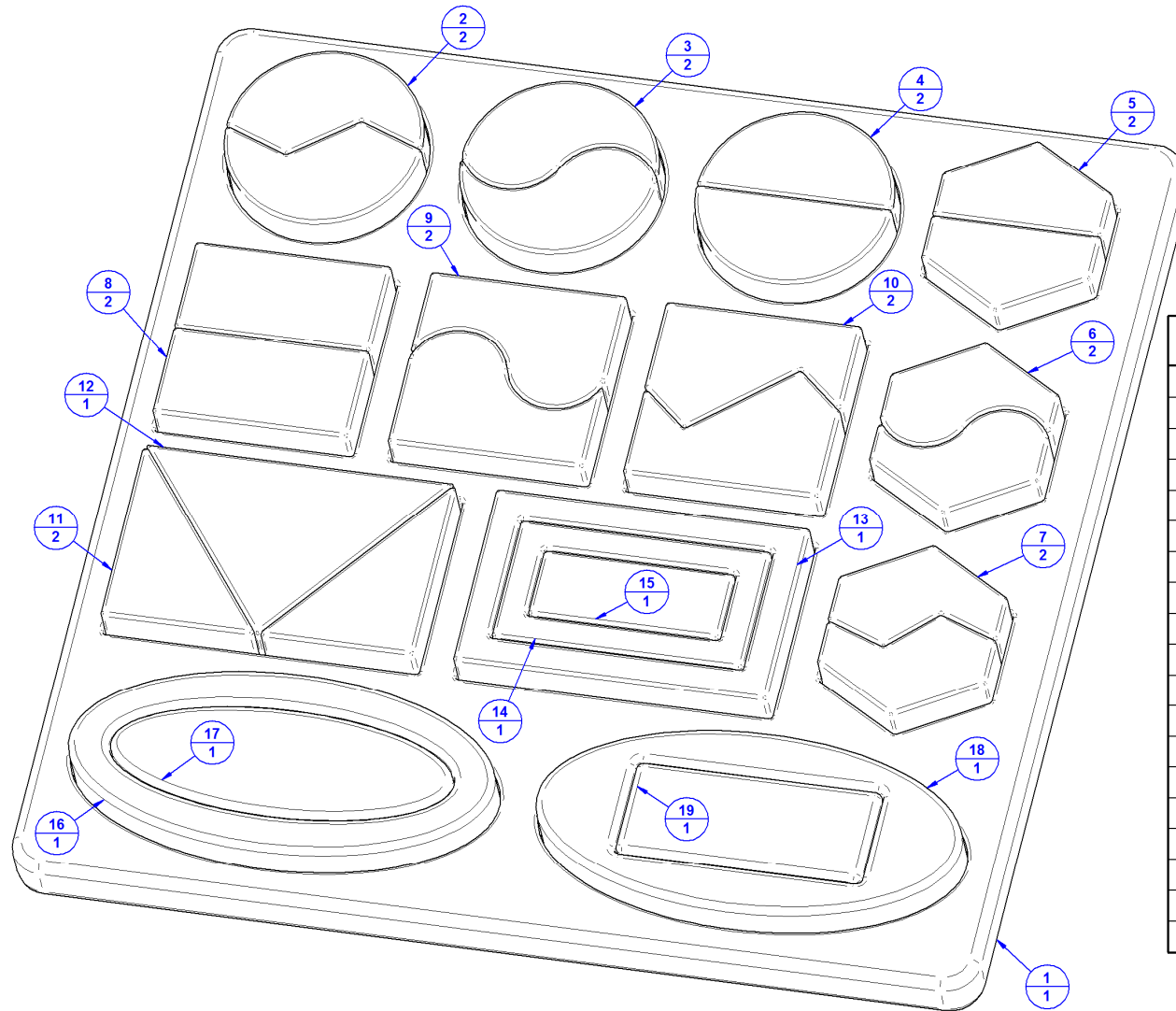


This is the plan for manufacturing a simple educative toy for your child. The whole structure can be made at home for a relatively short time. You can use various types of wood, but we recommend birch, beech, maple or alder.

If you choose to protect the surface of your project with wood paint or lacquer, be careful to use only substances that are safe and harmless for your child.

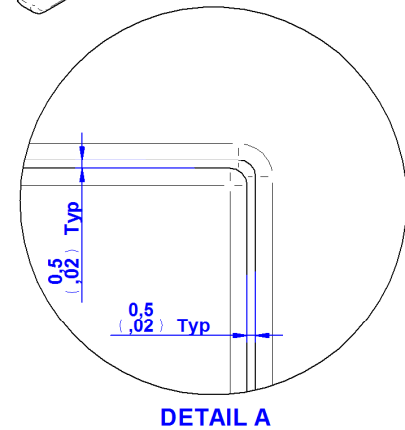
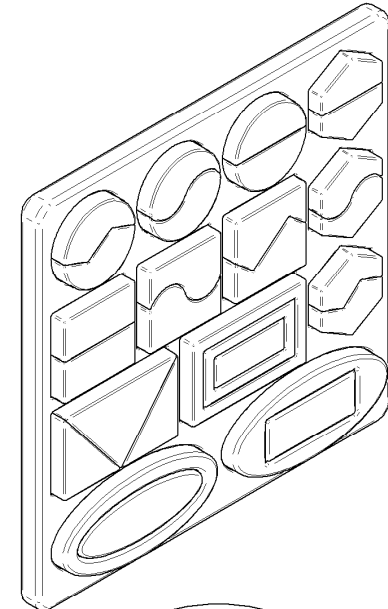
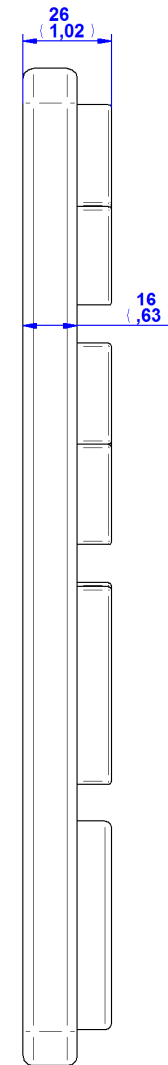
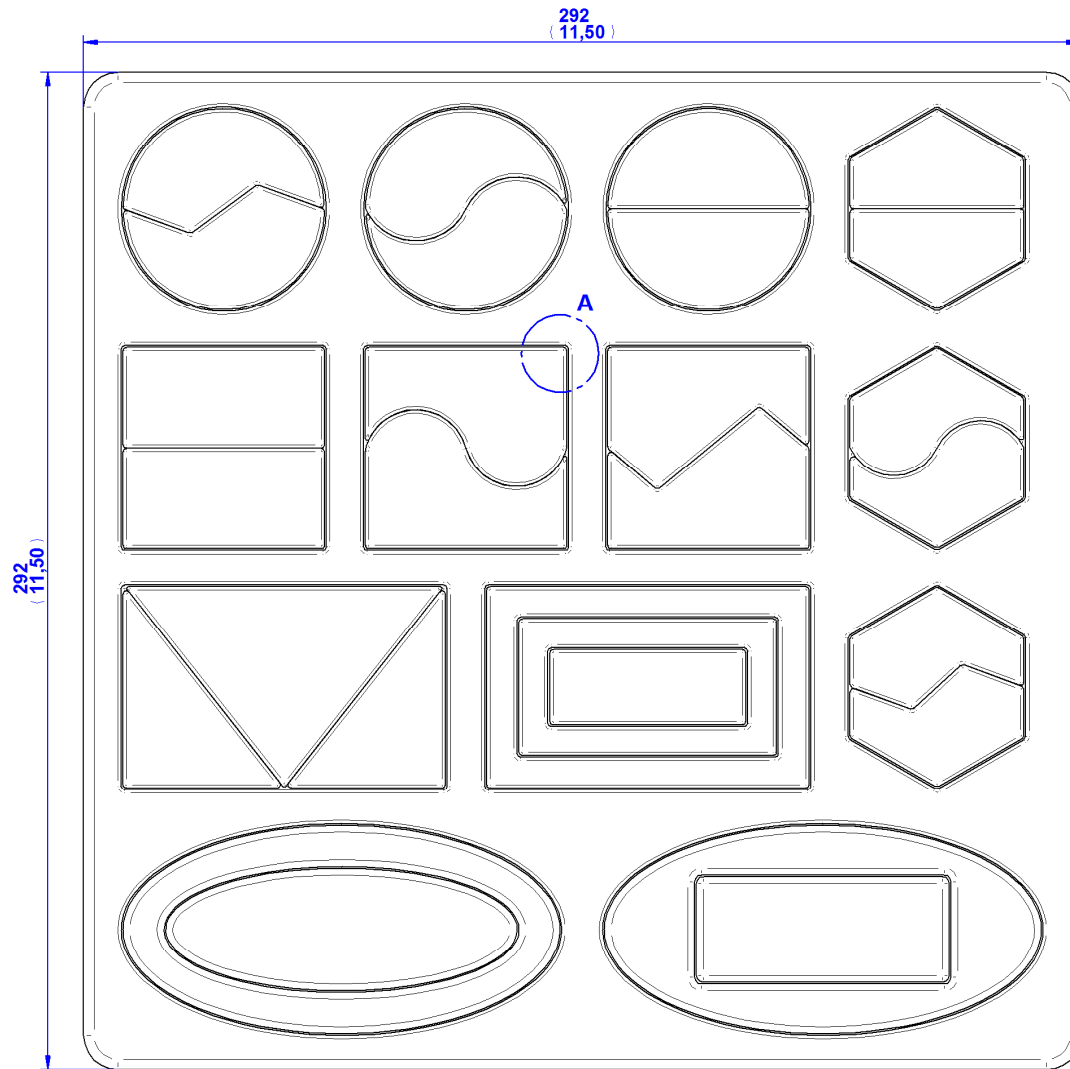
Carefully make all the parts of the toy by the dimensions given on particular pictures. The measurements are given in millimeters, while the measurements given in inches are in brackets (1 inch = 25,4 mm).

PARTS LIST

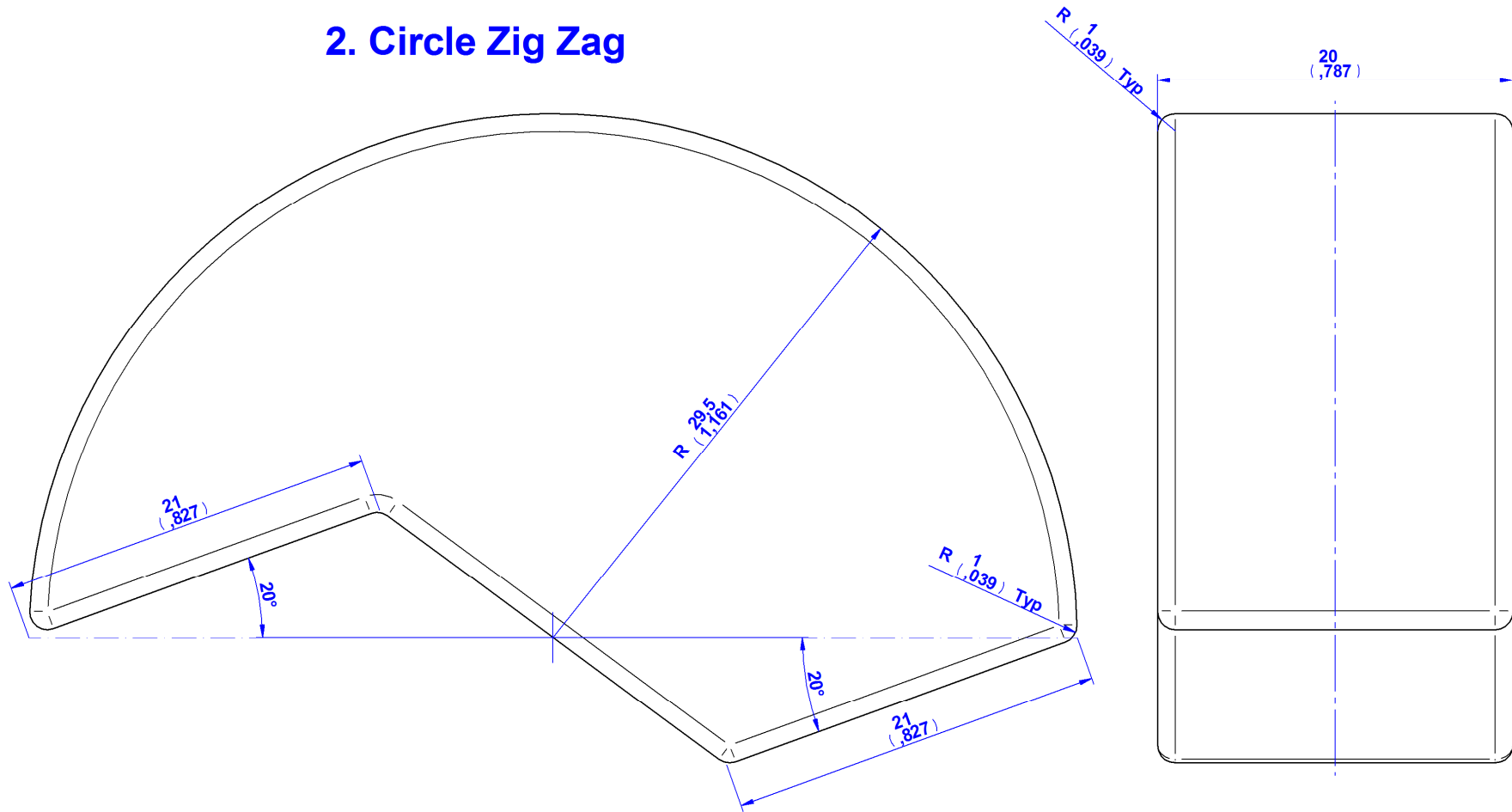


Item Number	Title	Material	Quantity
1	Base	Wood	1
2	Circle Zig Zag	Wood	2
3	Circle Wavy	Wood	2
4	Semicircle	Wood	2
5	Hexagon Line	Wood	2
6	Hexagon Wavy	Wood	2
7	Hexagon Zig Zag	Wood	2
8	Square Line	Wood	2
9	Square Wavy	Wood	2
10	Square Zig Zag	Wood	2
11	Triangle Small	Wood	2
12	Triangle Big	Wood	1
13	Rectangle Big	Wood	1
14	Rectangle Medium	Wood	1
15	Rectangle Small	Wood	1
16	Ellipse Big	Wood	1
17	Ellipse Small	Wood	1
18	Ellipse with Hole	Wood	1
19	Rectangle inside ellipse	Wood	1

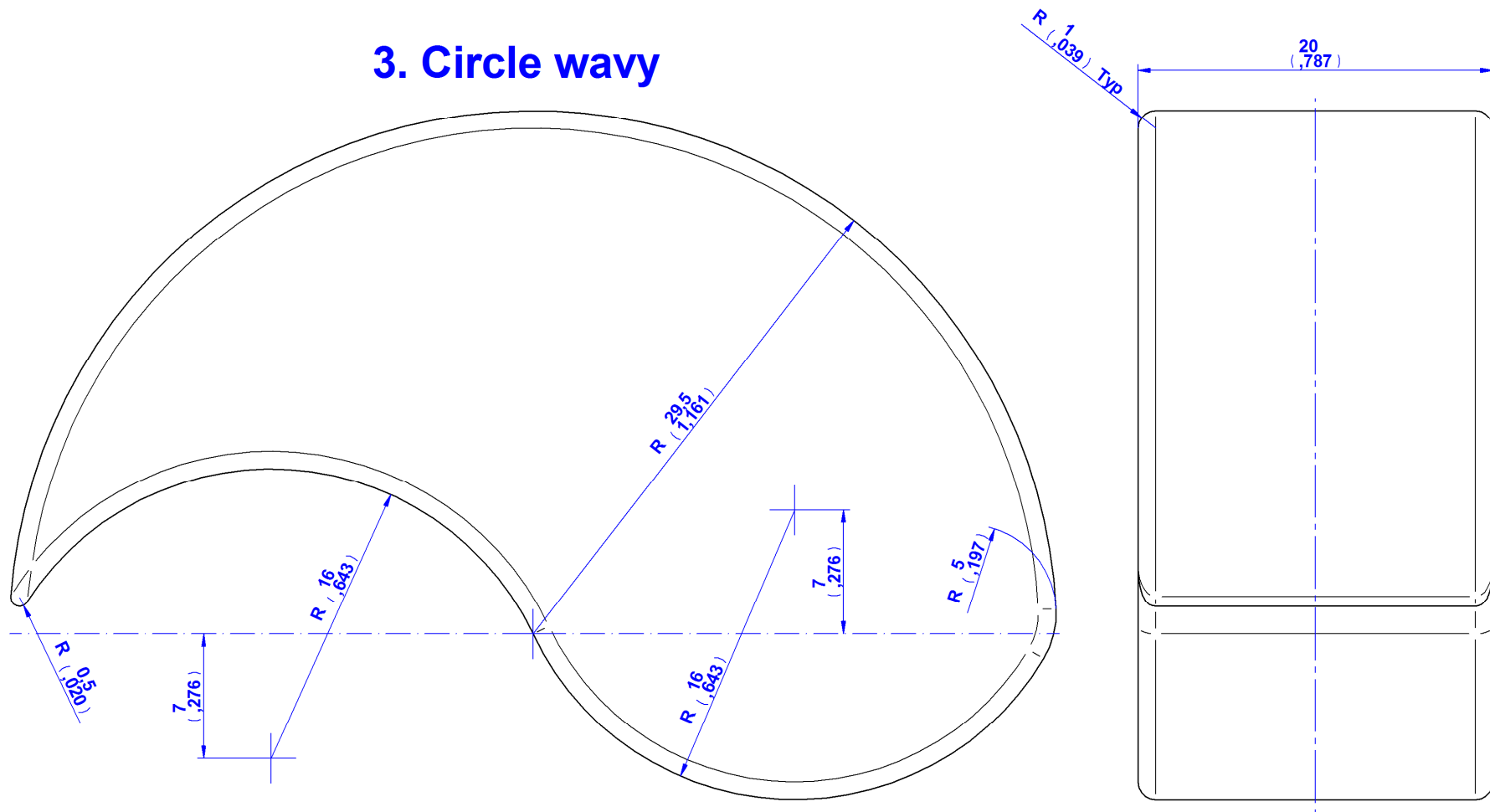
2D Documentation



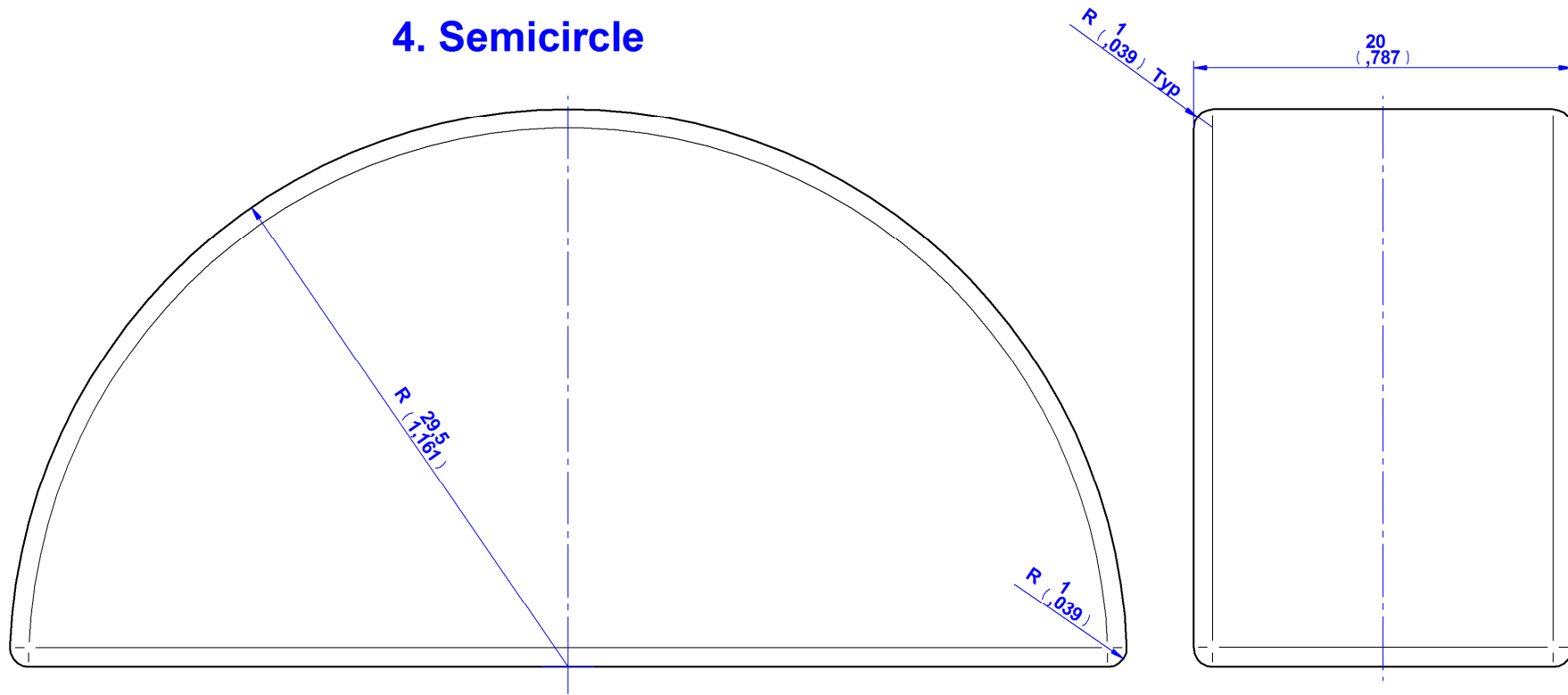
2. Circle Zig Zag



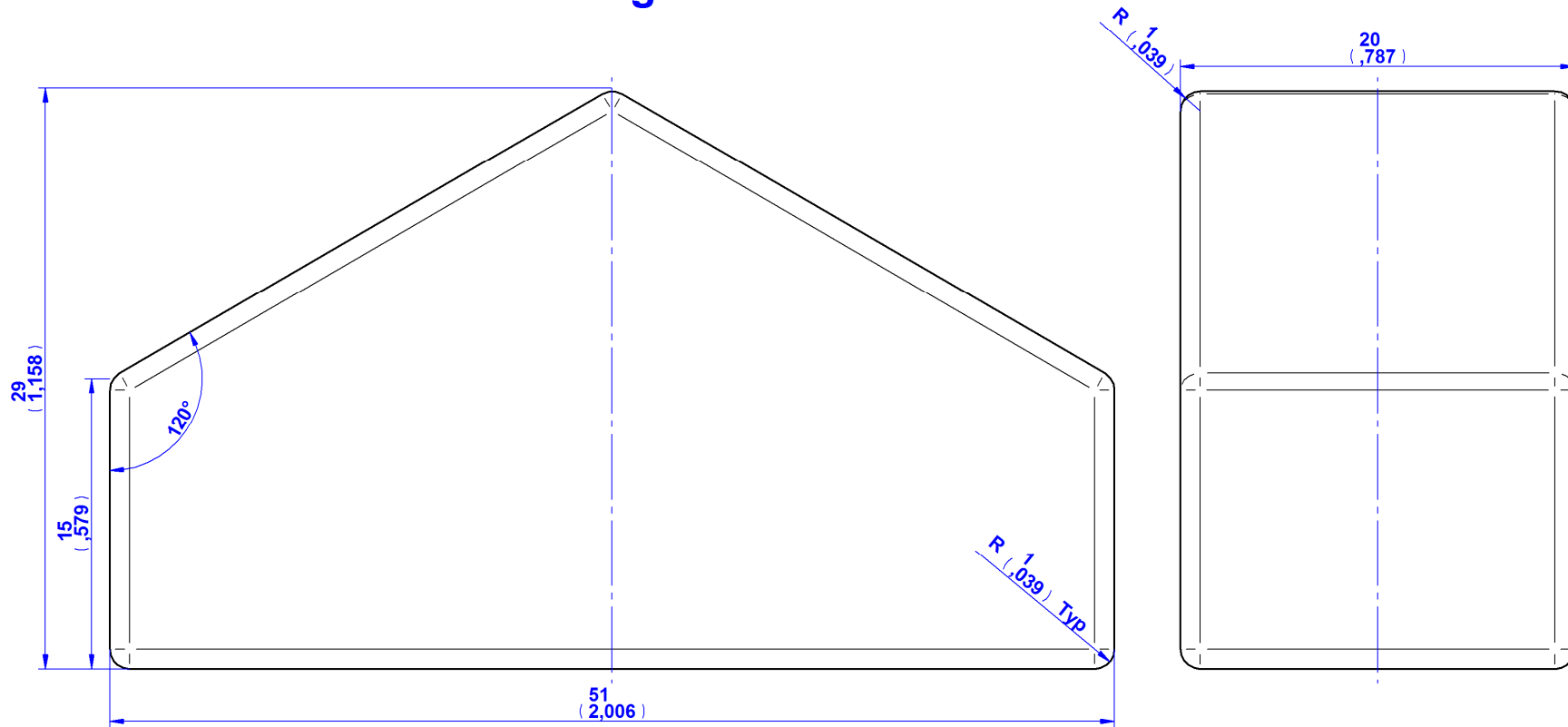
3. Circle wavy



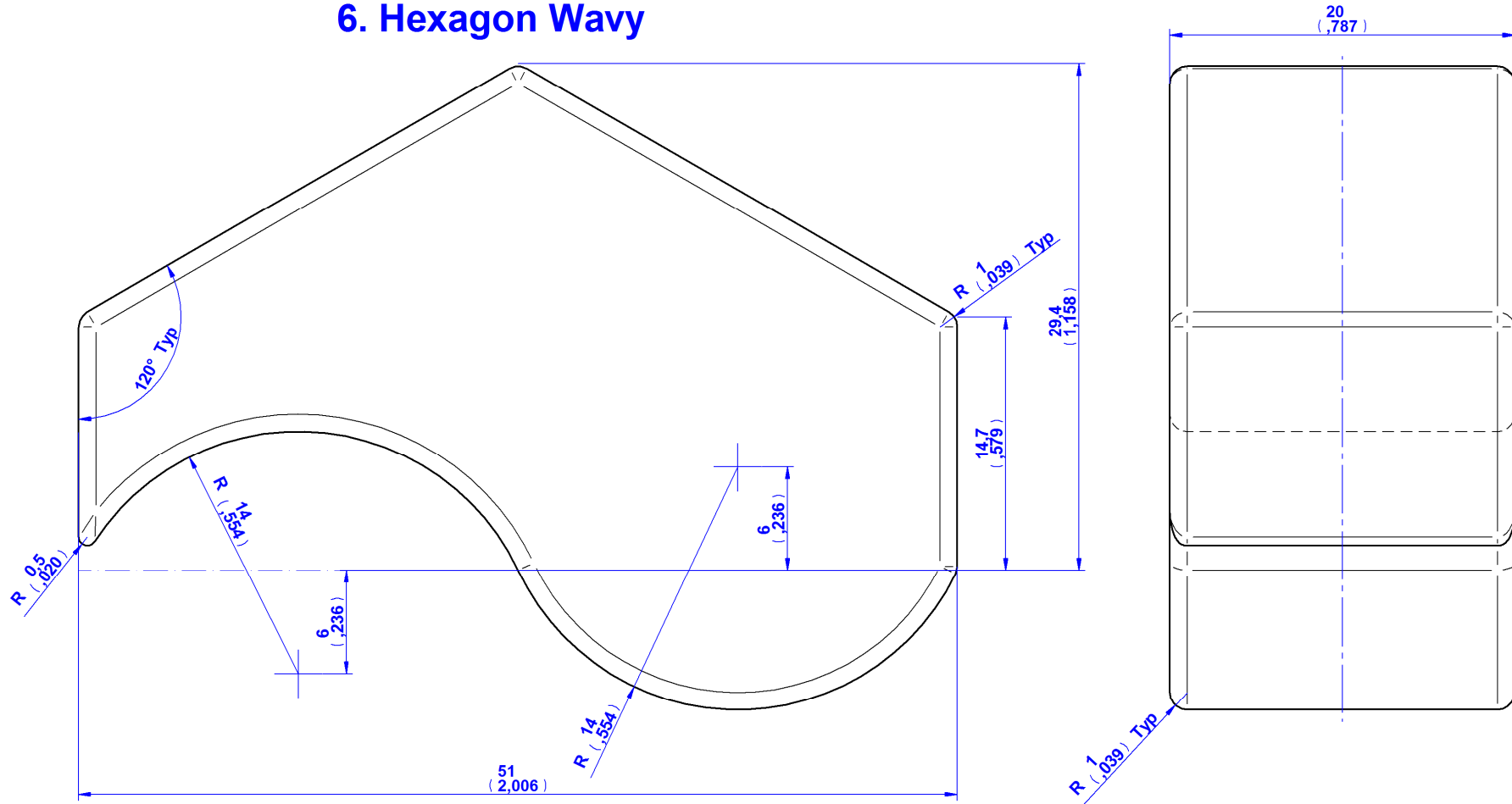
4. Semicircle



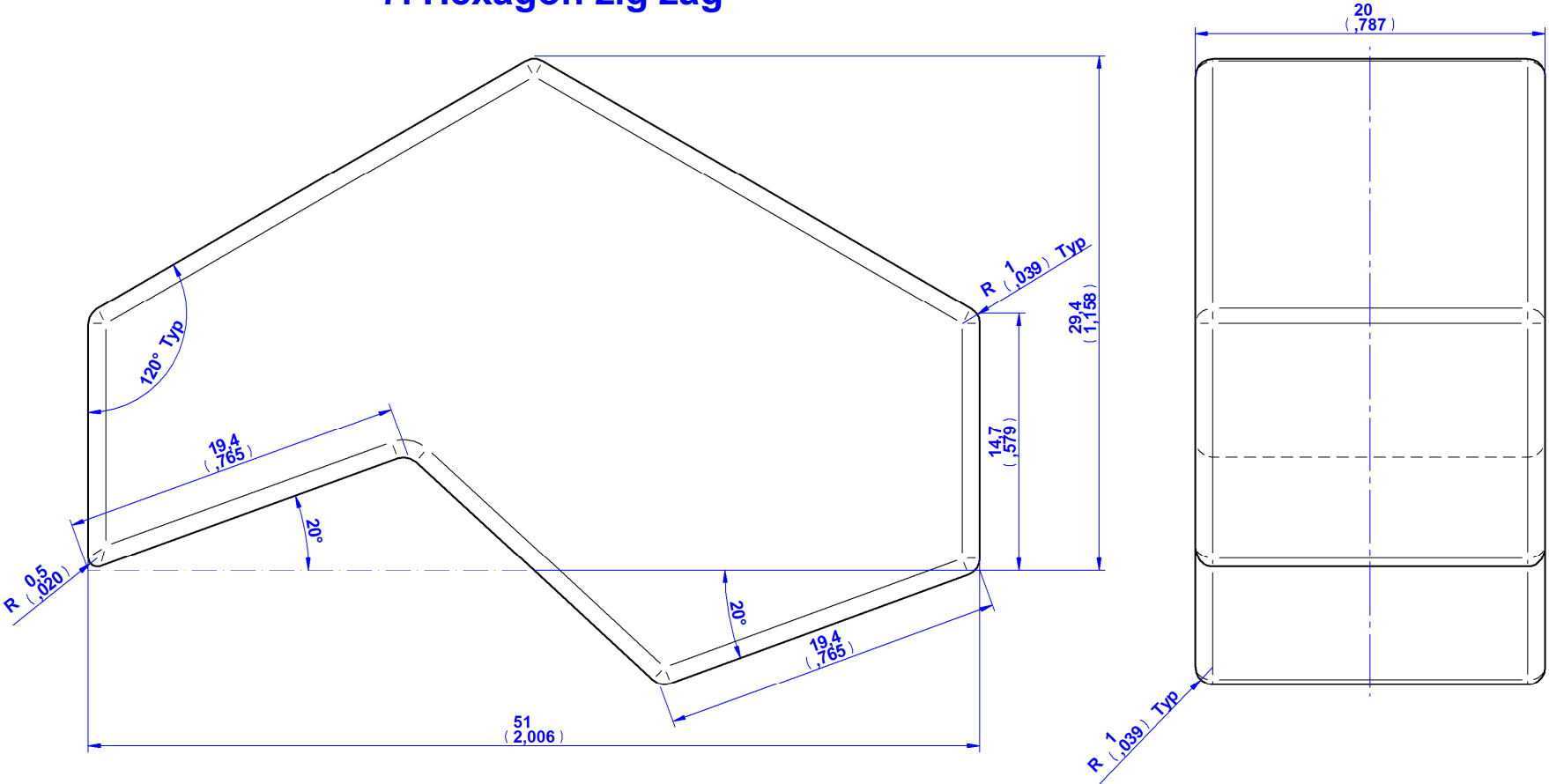
5. Hexagon line

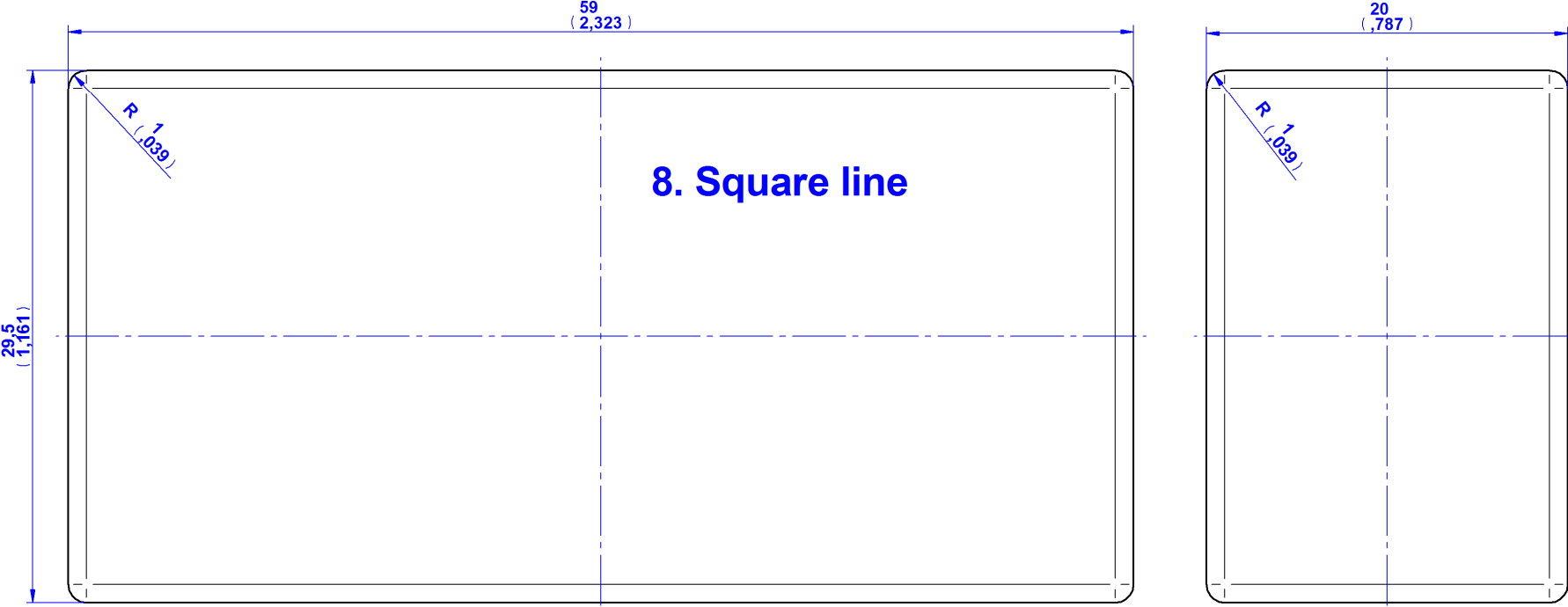


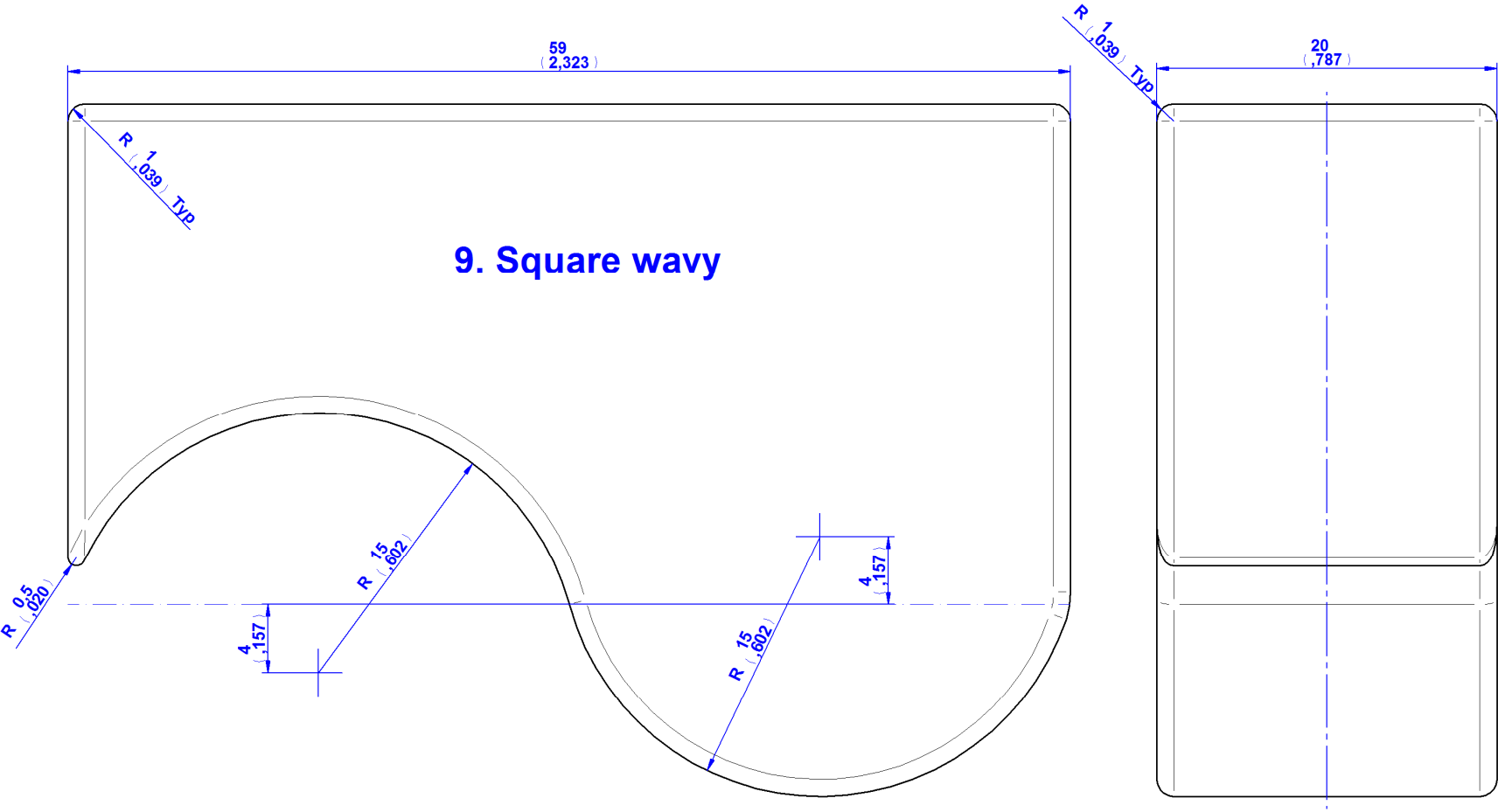
6. Hexagon Wavy



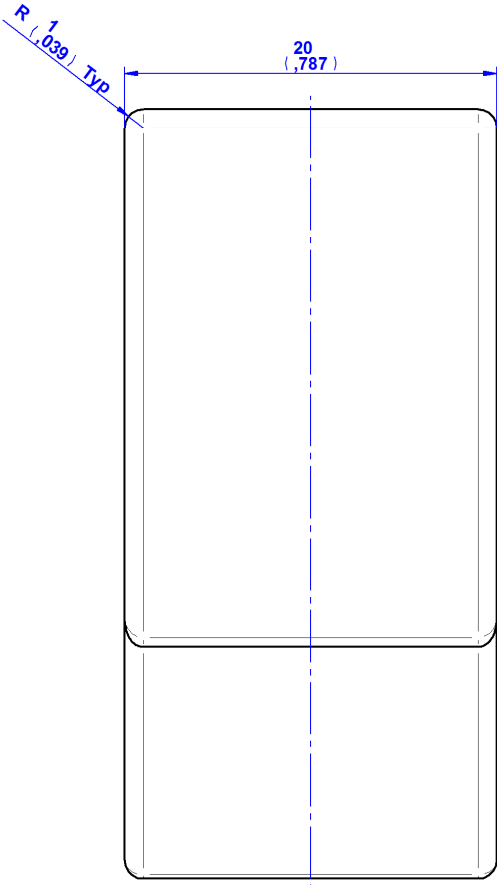
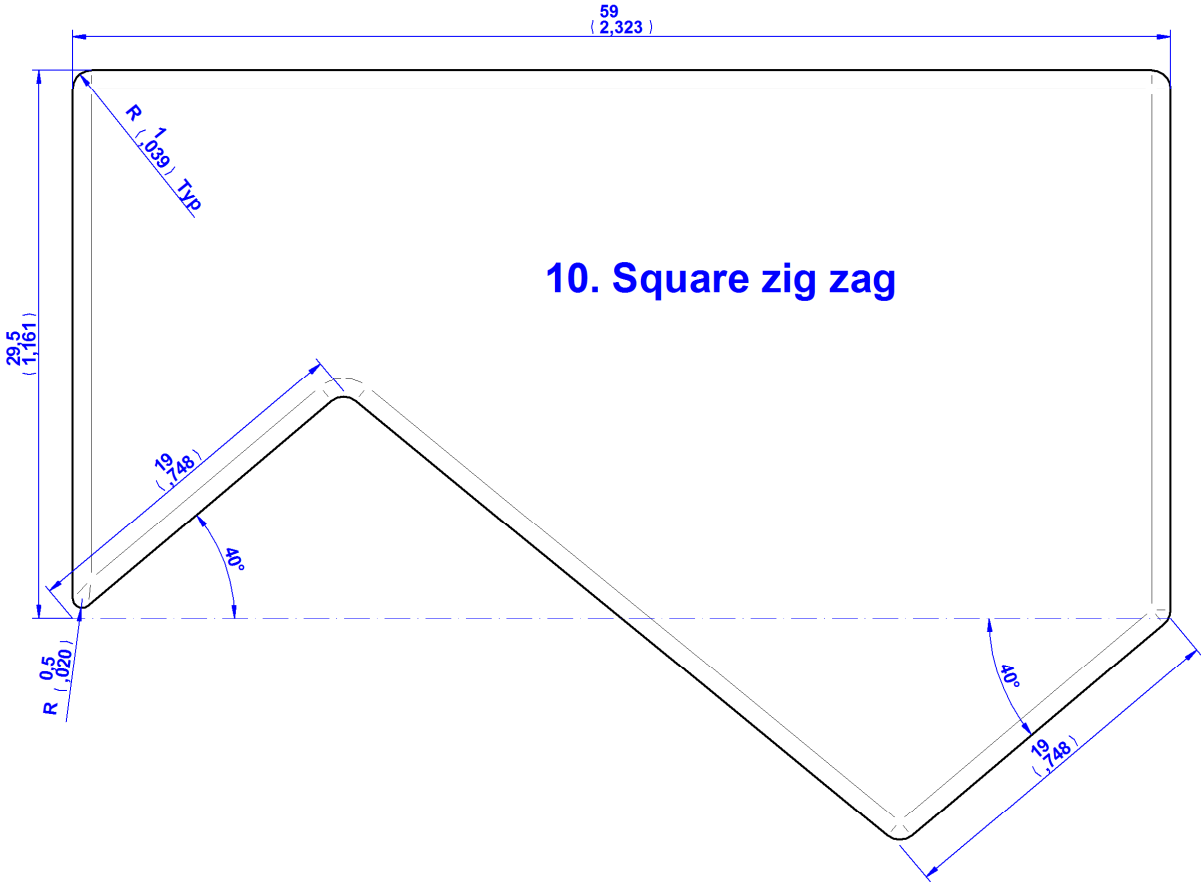
7. Hexagon zig zag

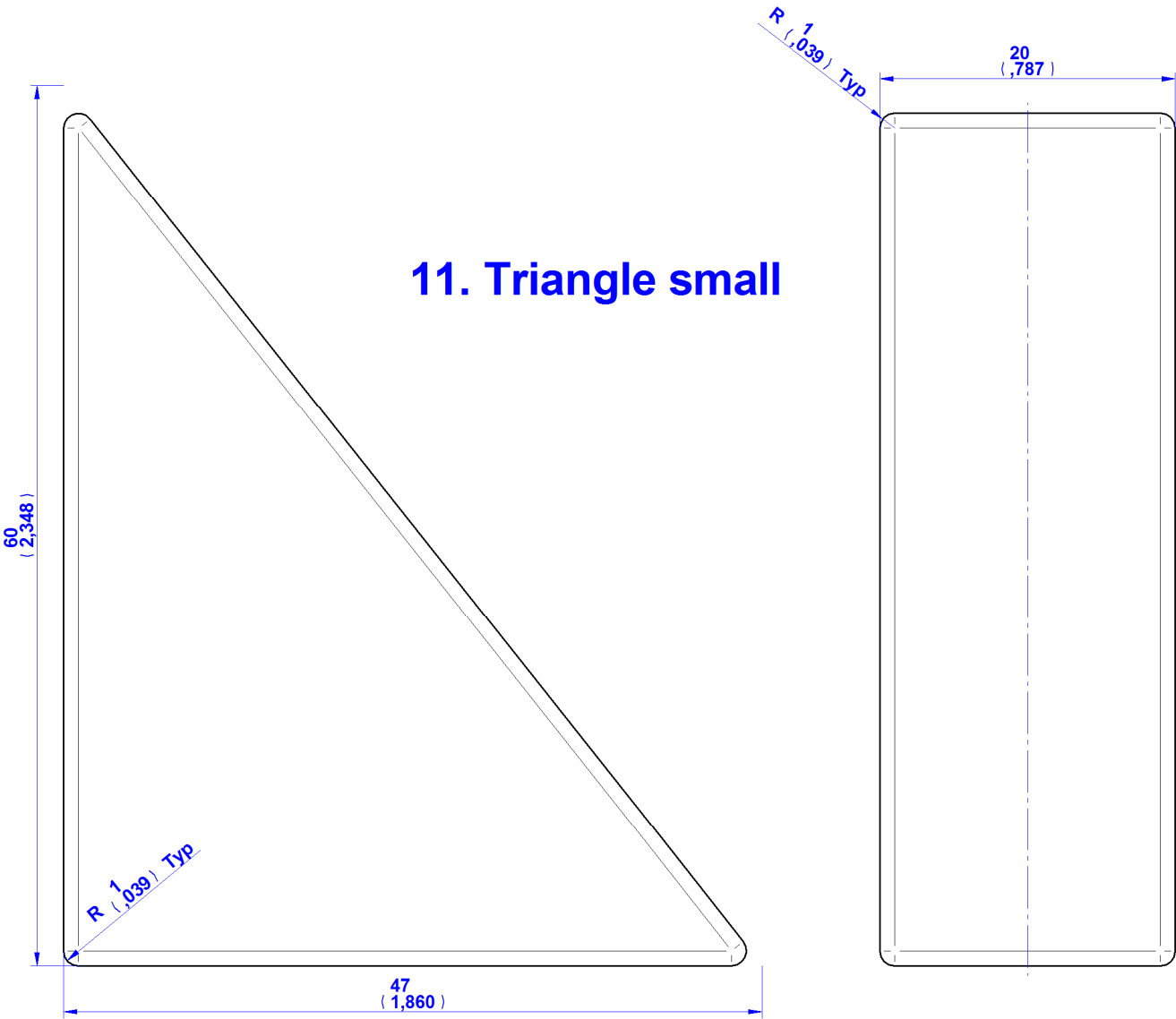




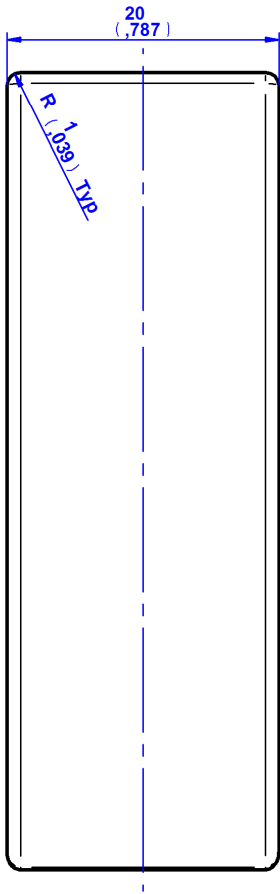
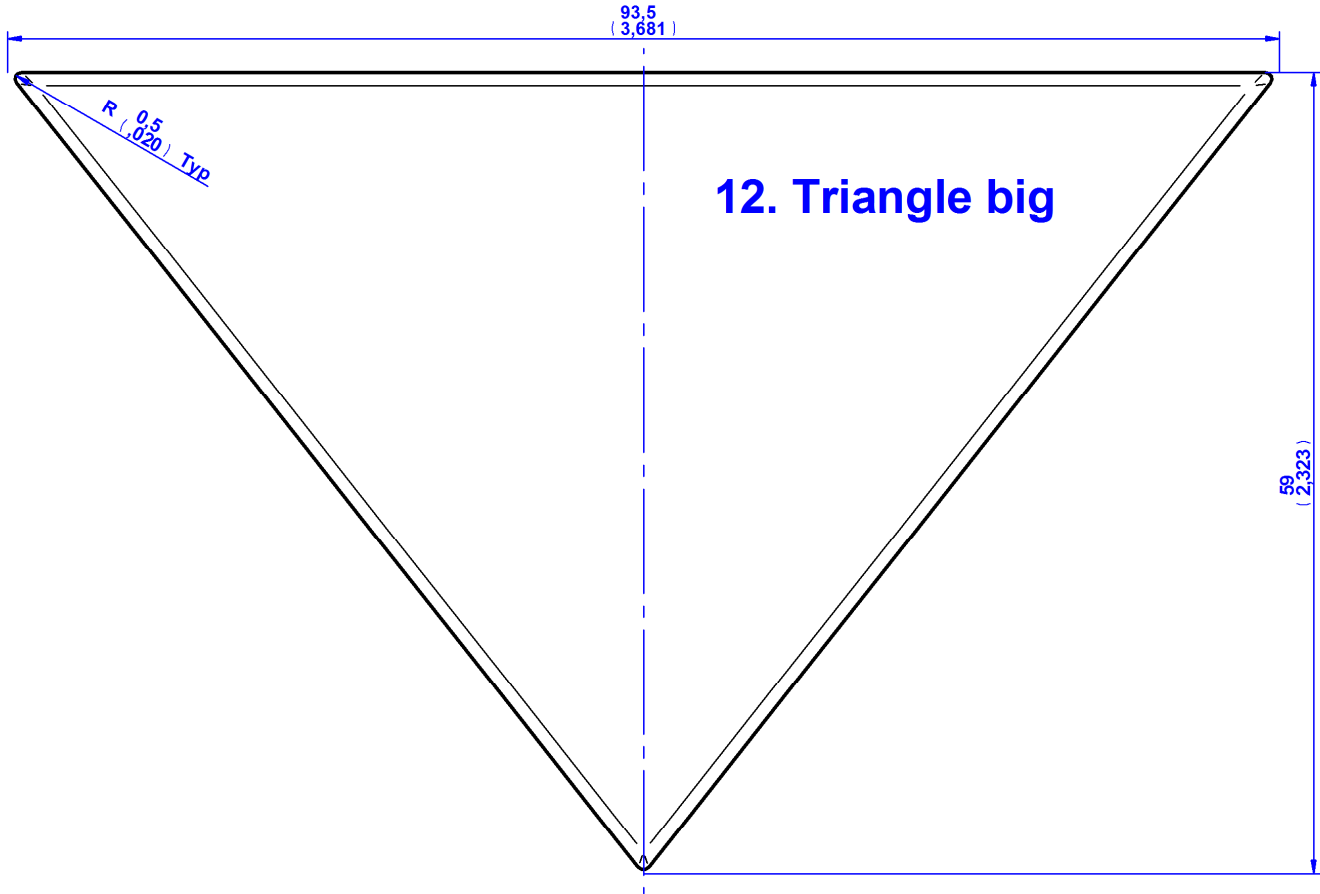


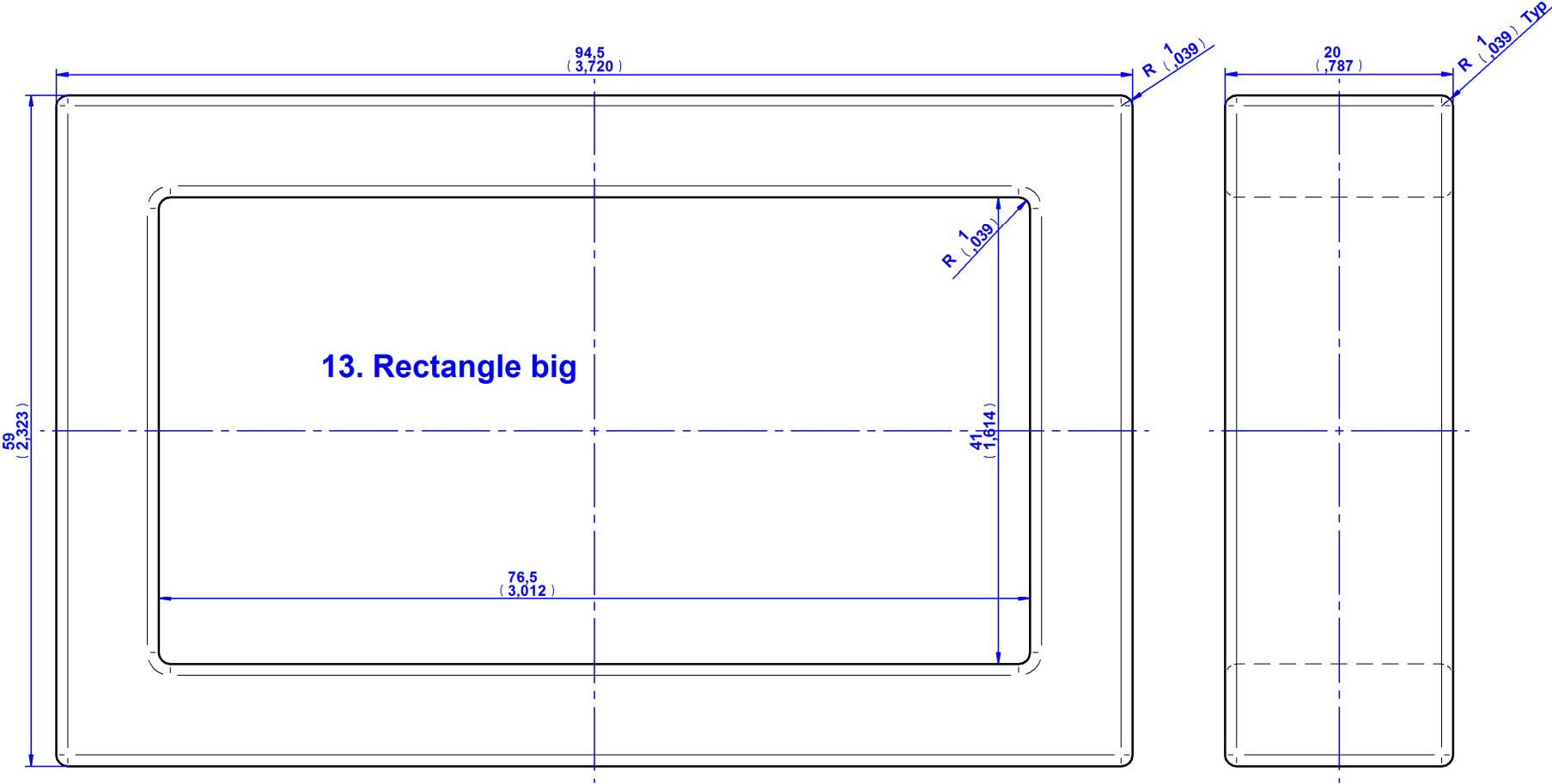
9. Square wavy

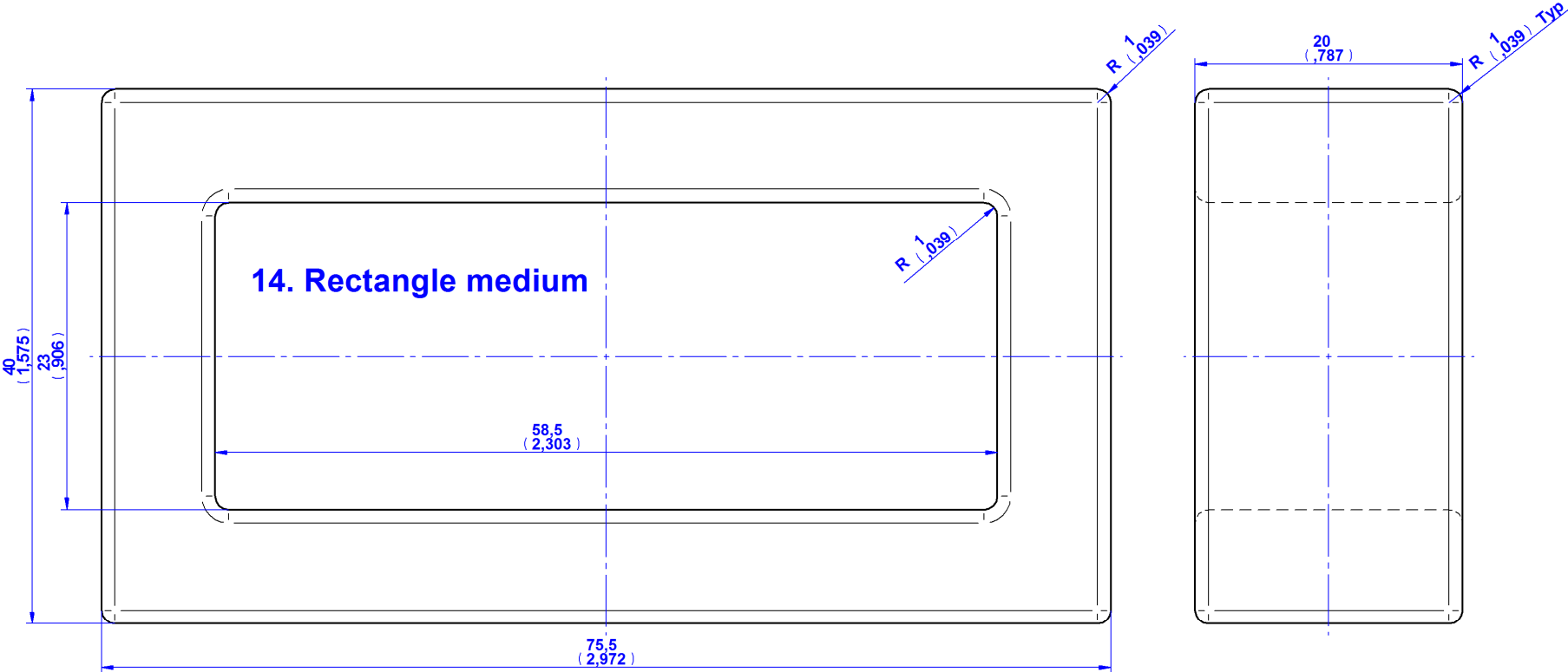


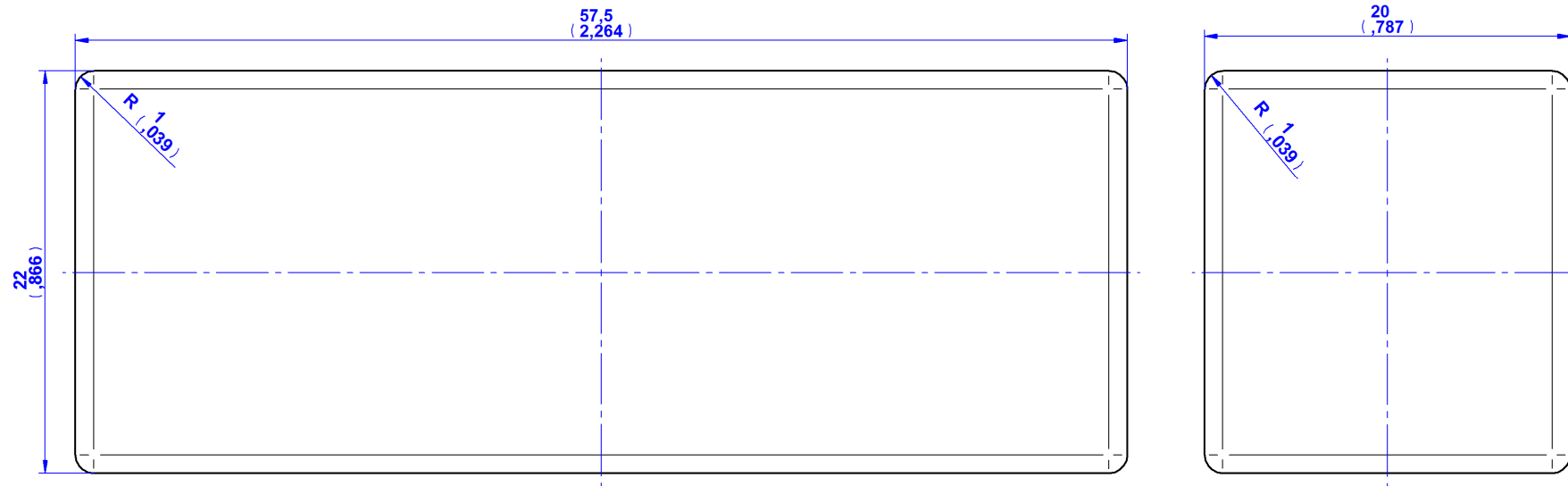


11. Triangle small

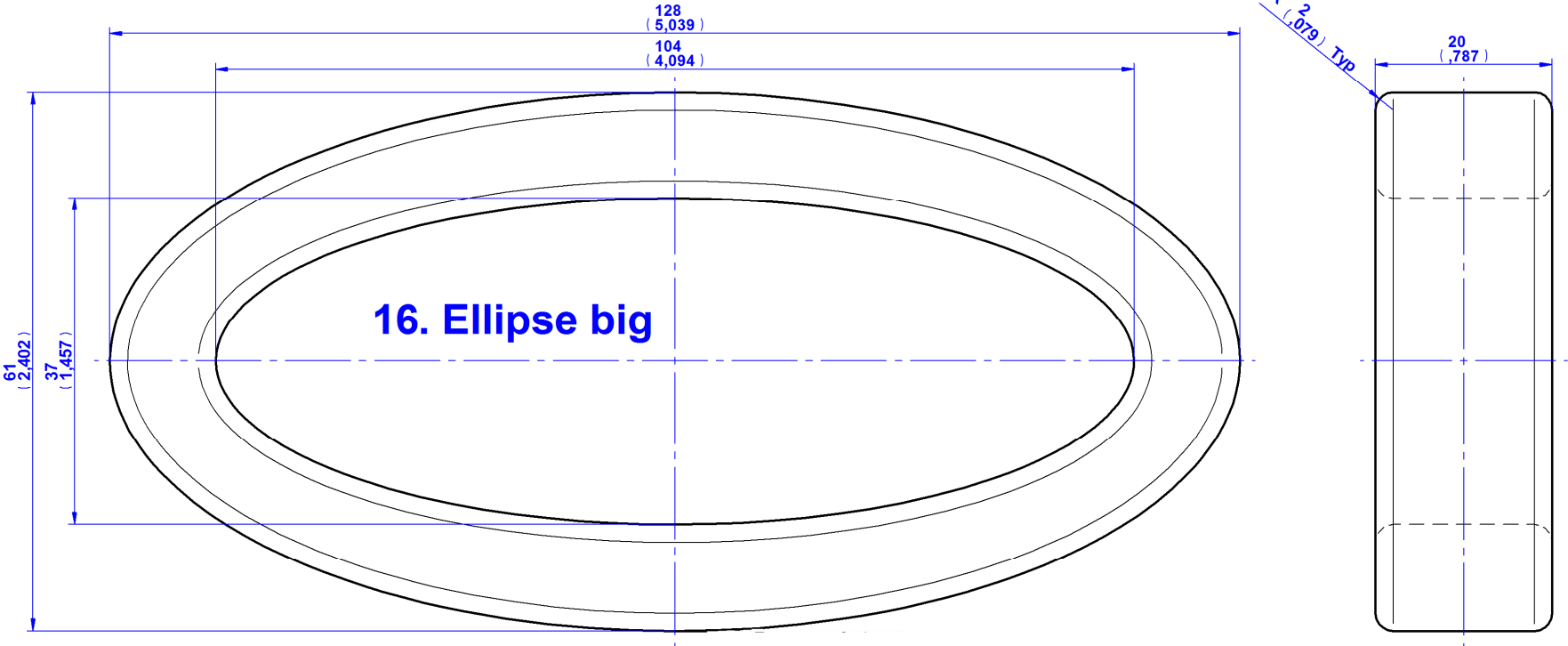


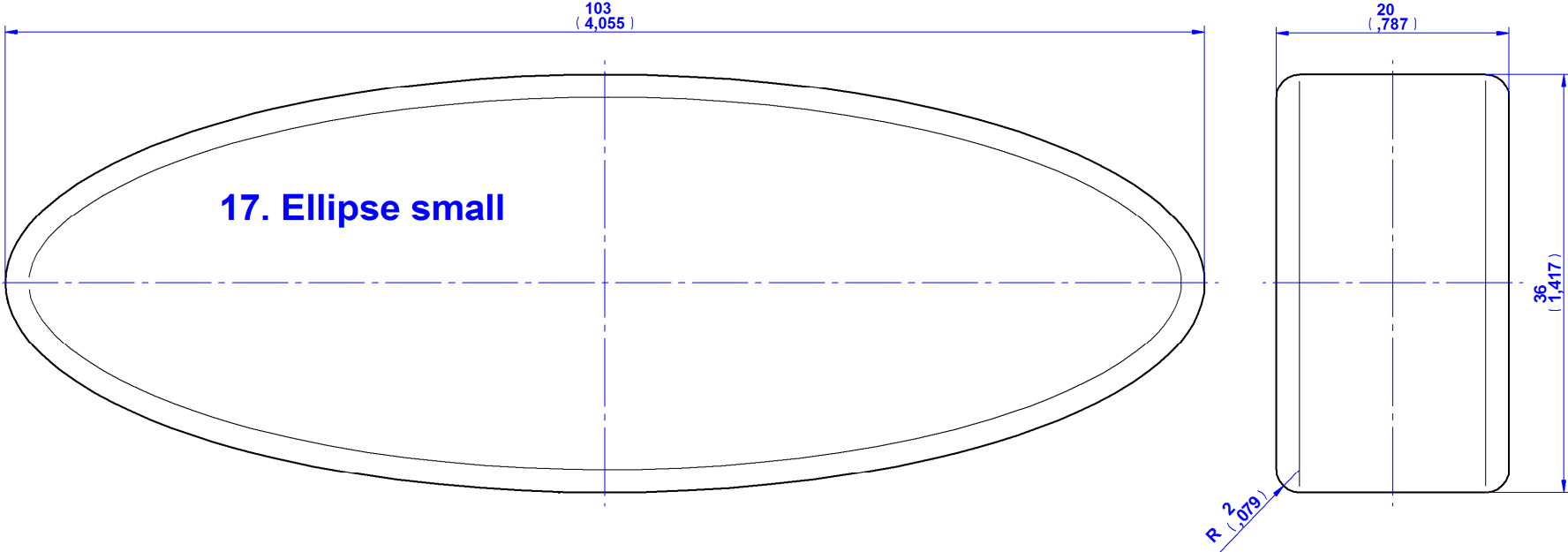


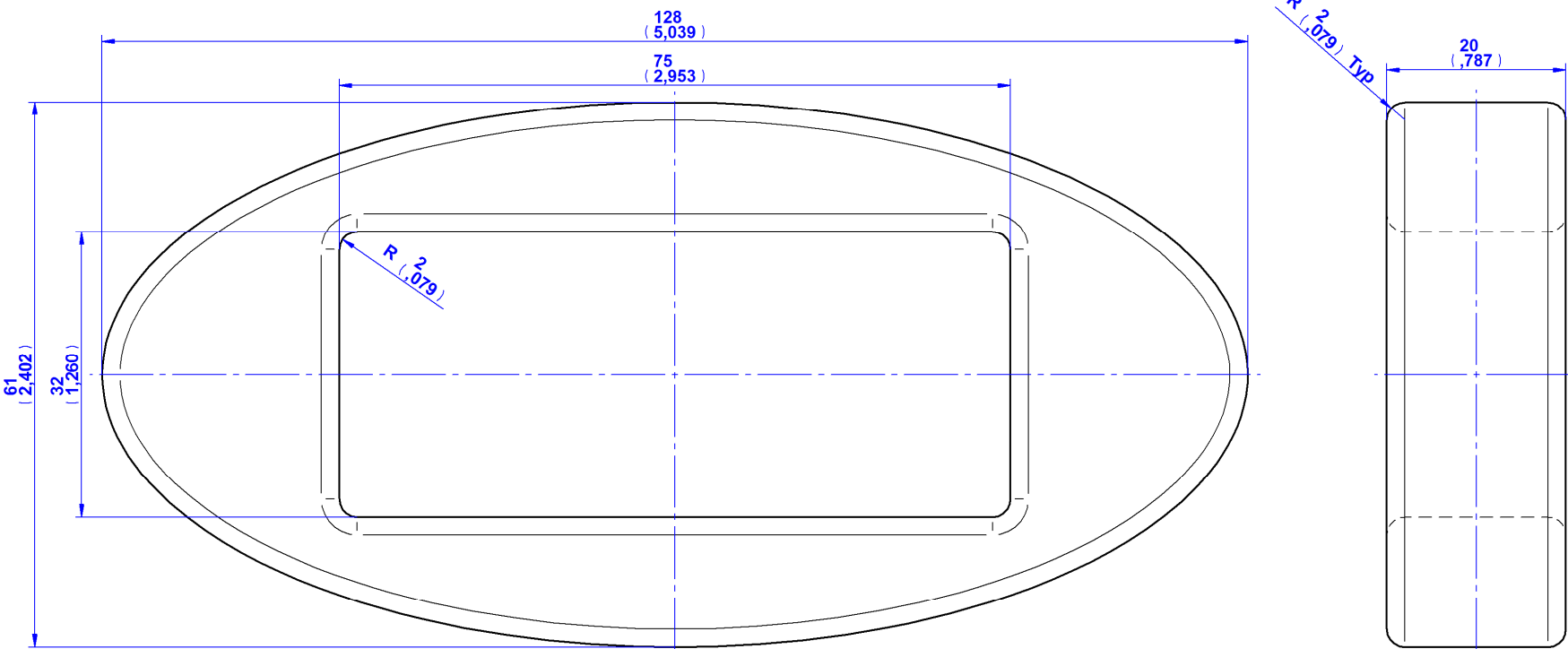




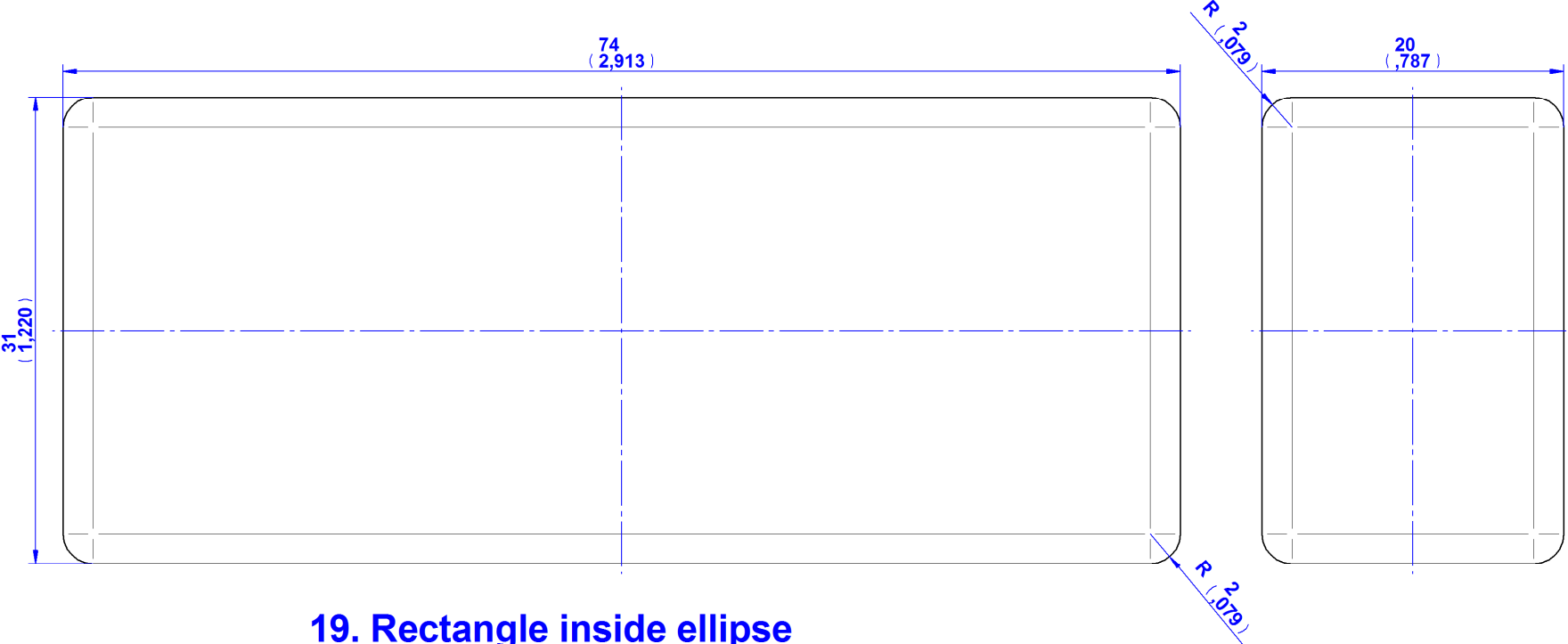
15. Rectangle small







18. Ellipse with hole



19. Rectangle inside ellipse