

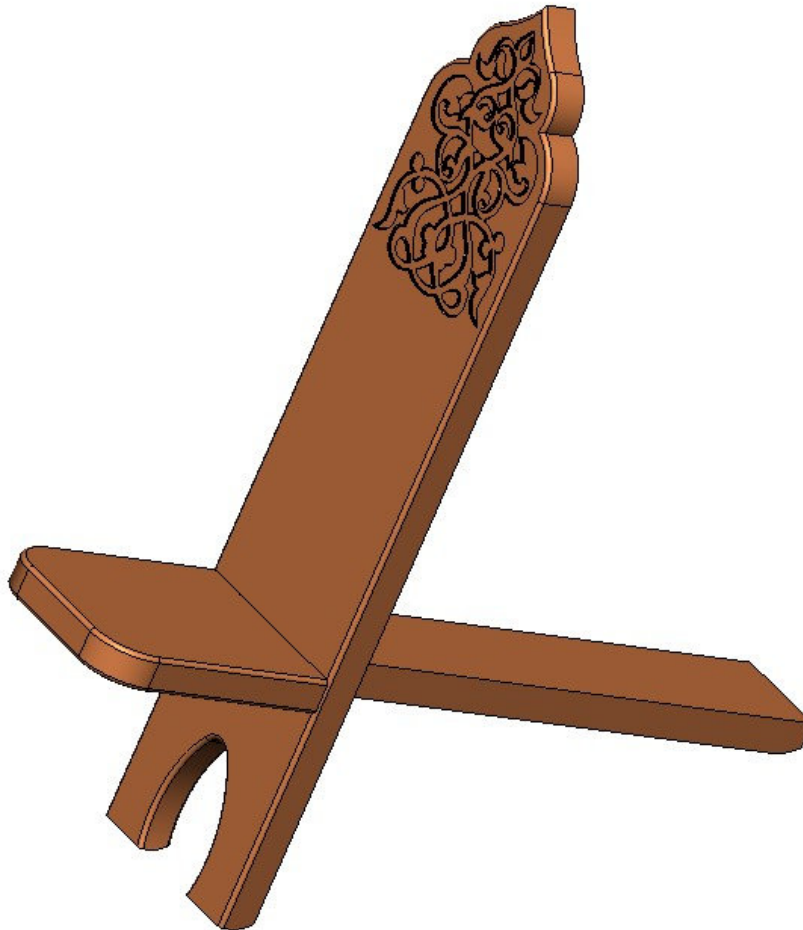
Bog chair plan

A bog wooden chair is a simple portable chair that is made from two pieces of wood that fit together in an interlocking pattern.

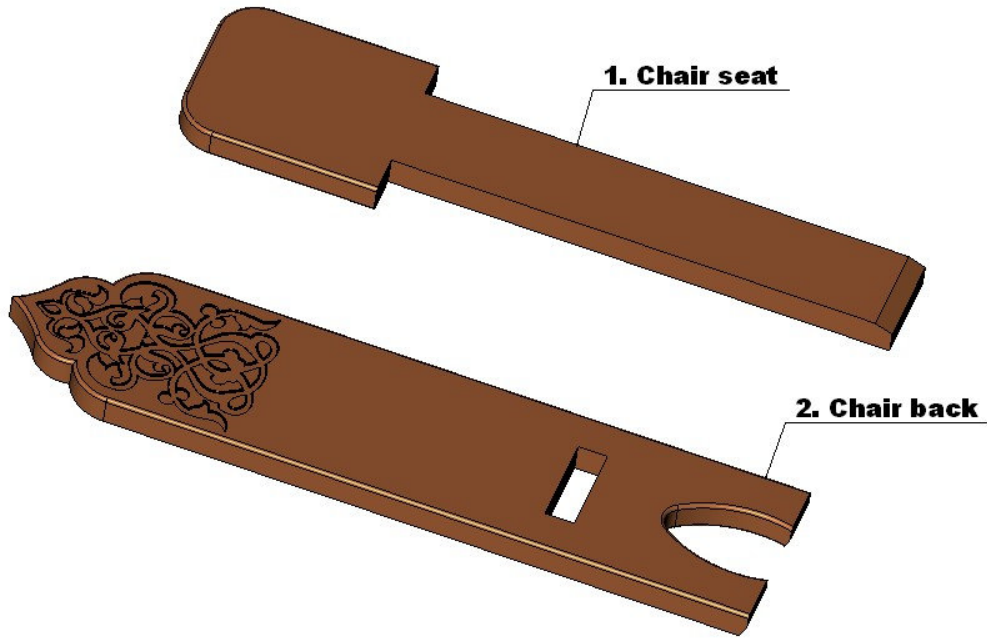
You can modify the dimensions for your own comfort.

The measurements are given in millimeters, while the measurements given in inches are in brackets (1 inch = 25, 4 mm).

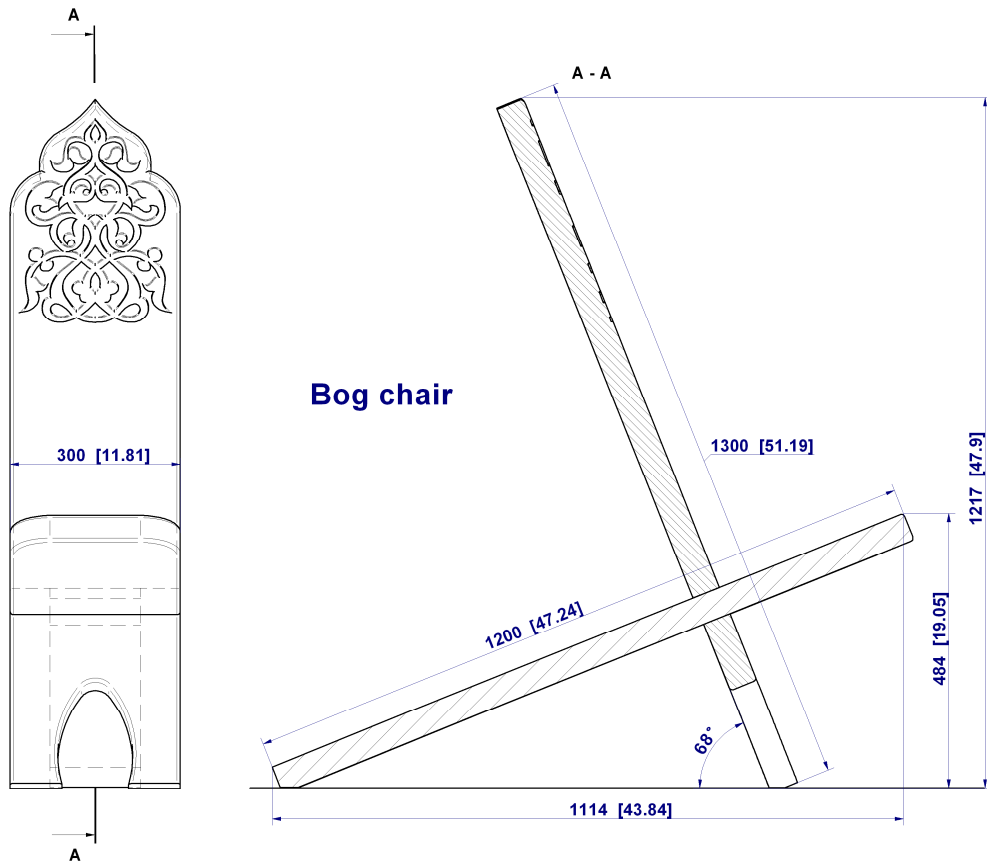
You can use many kinds of wood for making this chair, but we recommend a good quality hardwood (Red or white oak wood, Maple wood, Cherry wood, poplar, alder...).



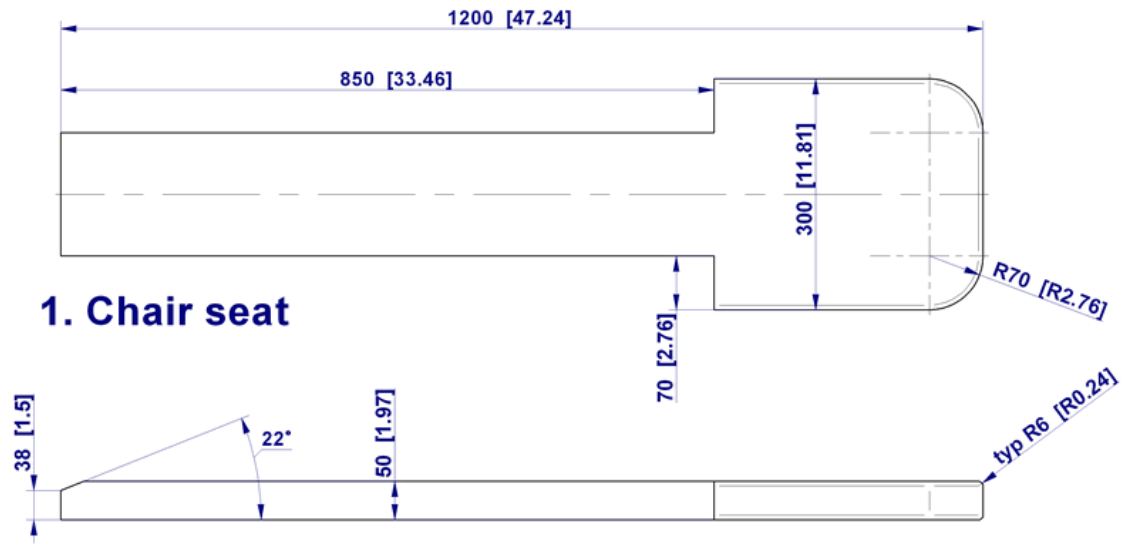
Bog chair plan - Parts list



Bog chair plan - Assembly 2D drawing

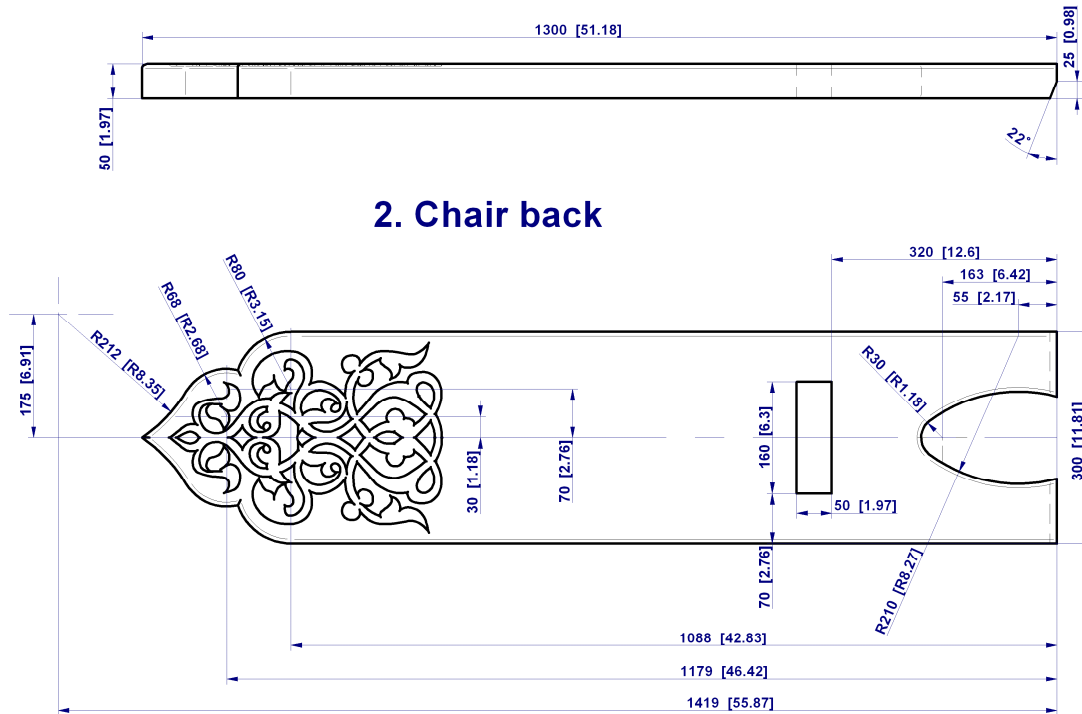


1. Chair seat



1. Chair seat

2. Chair back



2. Chair back