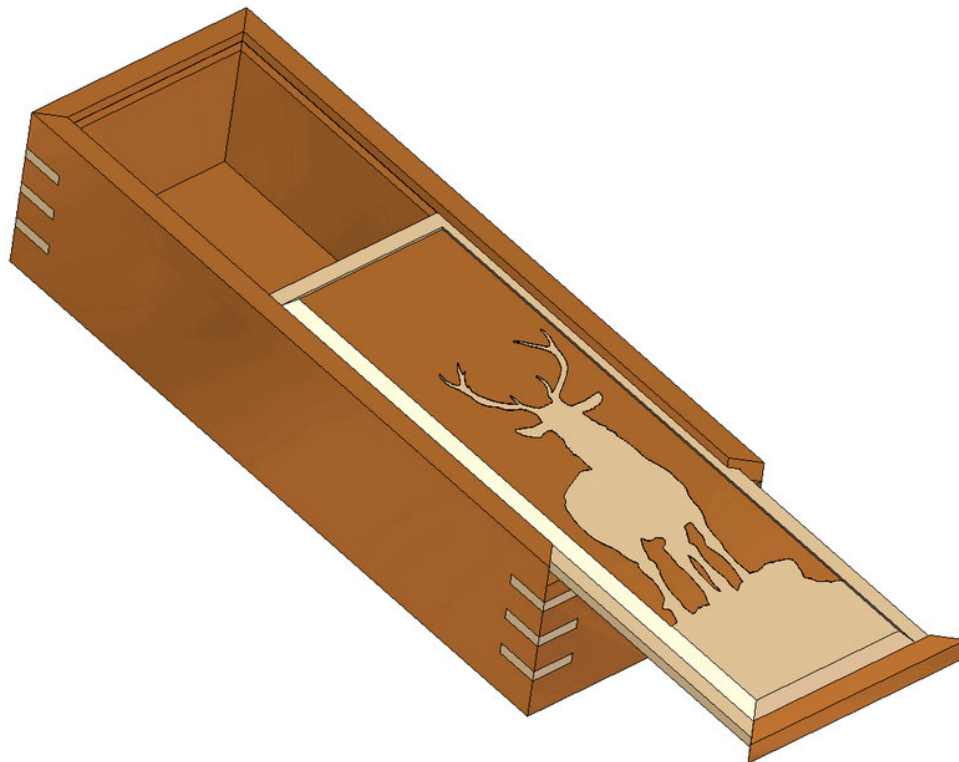


Sliding lid box with spline mitre woodworking joints plan

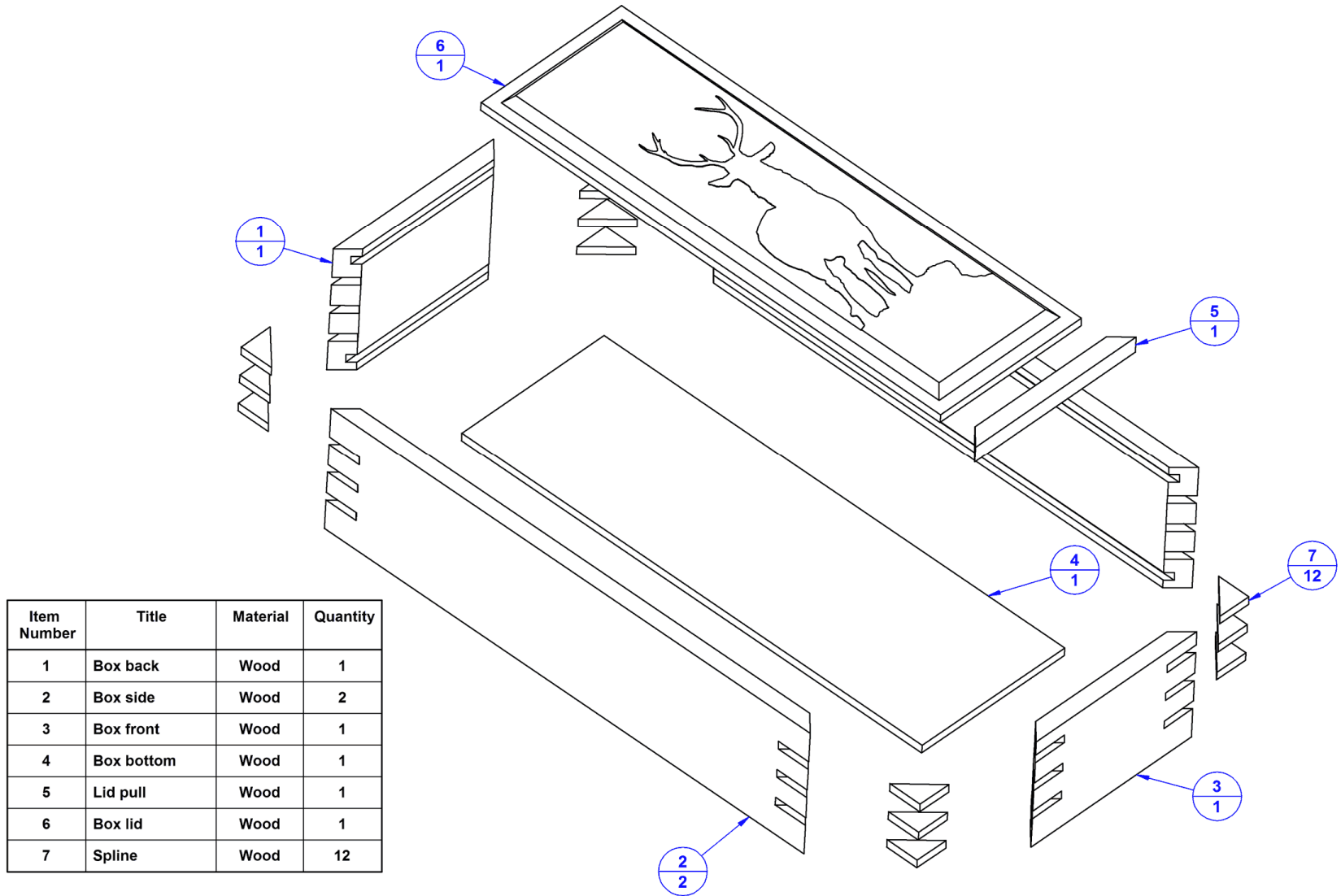


If you turn around and take a closer look, you will see, that you have few wooden decorative boxes placed somewhere in your home for sure - and not just you. Wooden boxes are very functional and decorative objects, which serves all of us to store numerous things and in the same time they prevent clutter. This beautiful wooden sliding lid box is one of them, so it can be a great gift for the people of all ages, especially for children to serve them as a wooden pencil box or a toy box. Since it is a highly decorative box, you can make it and give it to some lady, where she will keep threads and needles, or many other similar things. At the end, it can serve just well as a cabinet box or cigar box.

All in all, even if you do not want to make this wooden slide lid box right away, you can download a sliding lid box plan, save it, and I guarantee you, it will be soon, when you will decide to treat someone with this marvellous, artistic and above all functional box, and who knows, that someone may even be you.

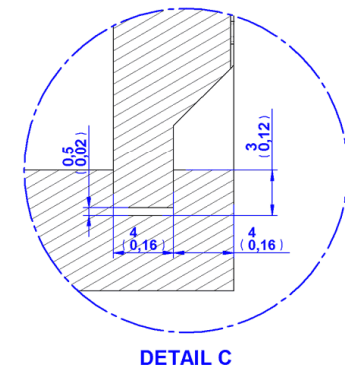
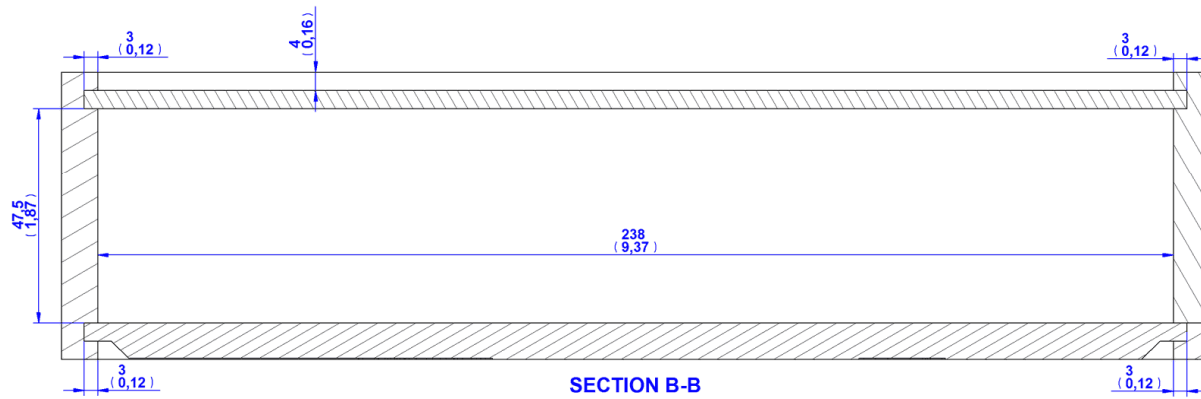
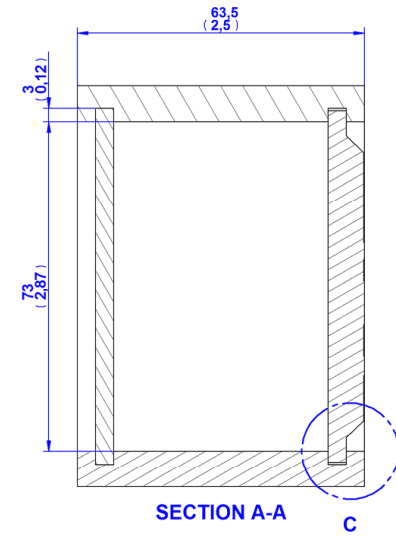
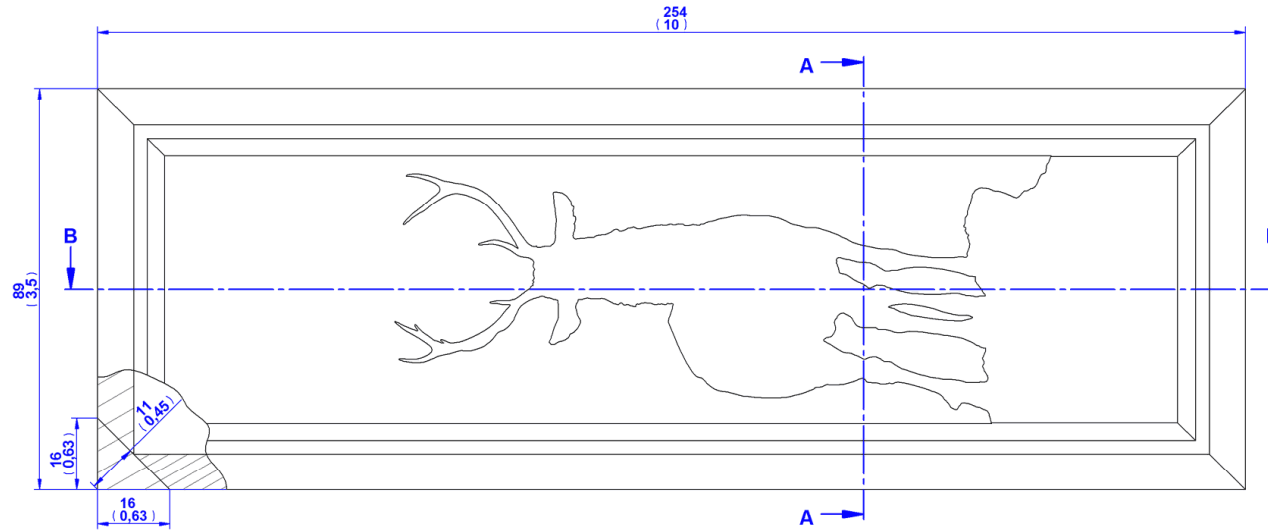
The measurements are given in millimeters, while the measurements given in inches are in brackets (1 inch = 25, 4 mm).

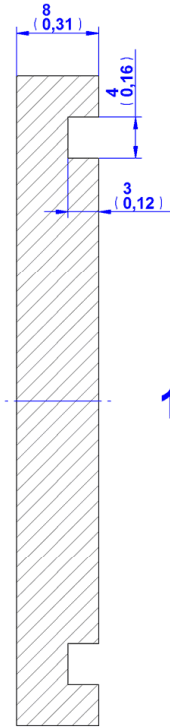
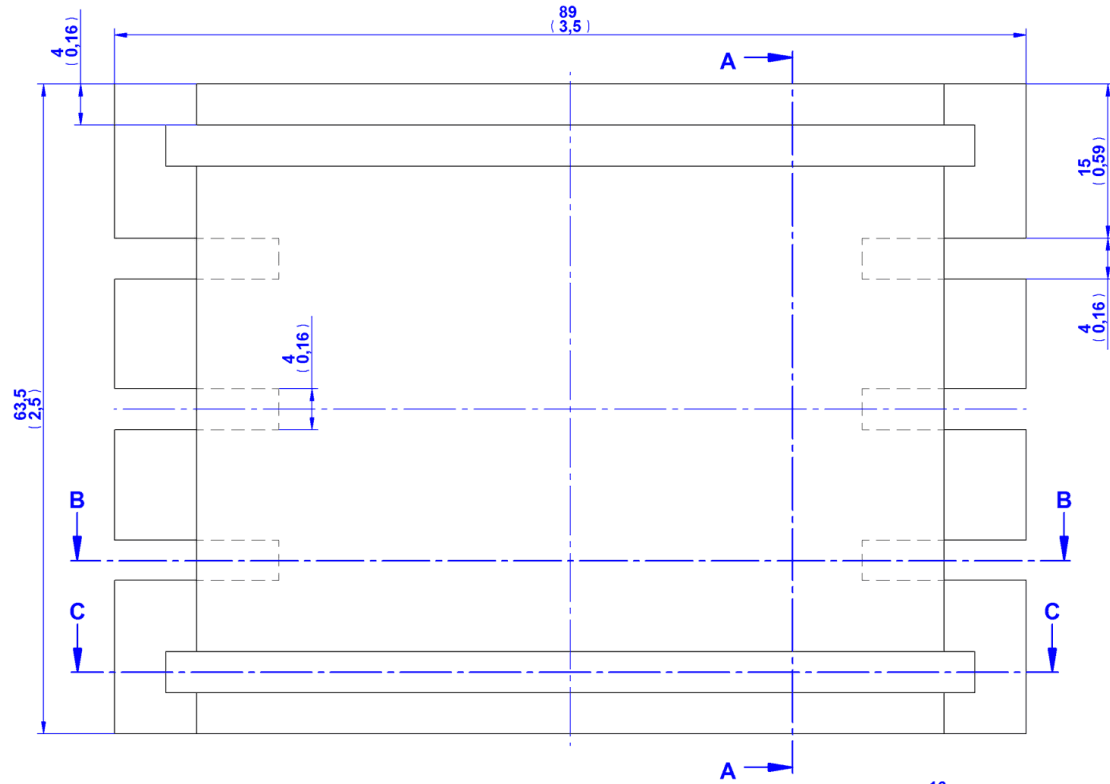
Sliding lid box – Parts list



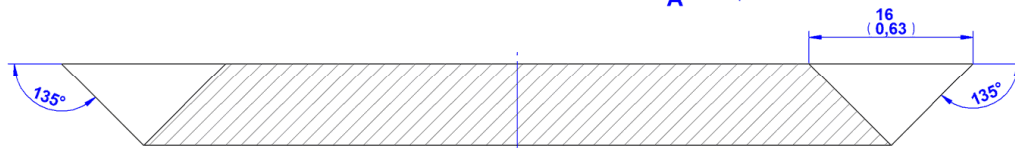
Item Number	Title	Material	Quantity
1	Box back	Wood	1
2	Box side	Wood	2
3	Box front	Wood	1
4	Box bottom	Wood	1
5	Lid pull	Wood	1
6	Box lid	Wood	1
7	Spline	Wood	12

Sliding lid box – Assembly 2D drawings

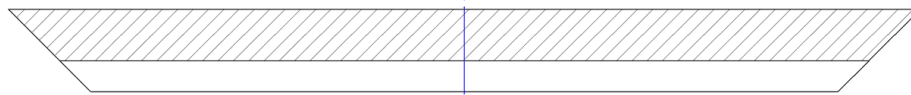




1. Box back

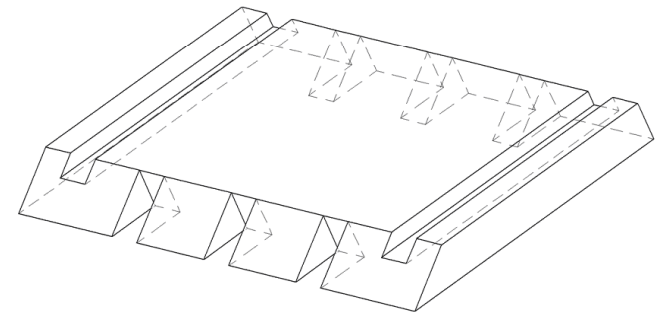


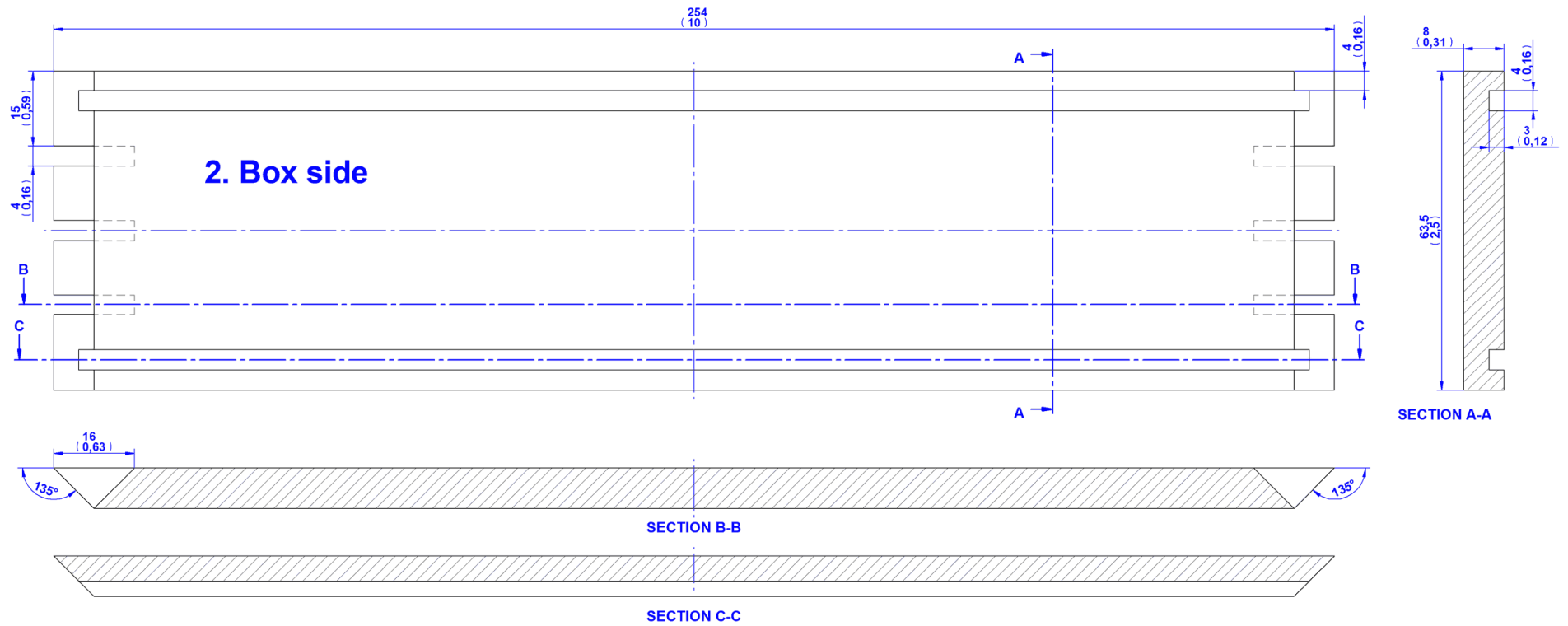
SECTION B-B

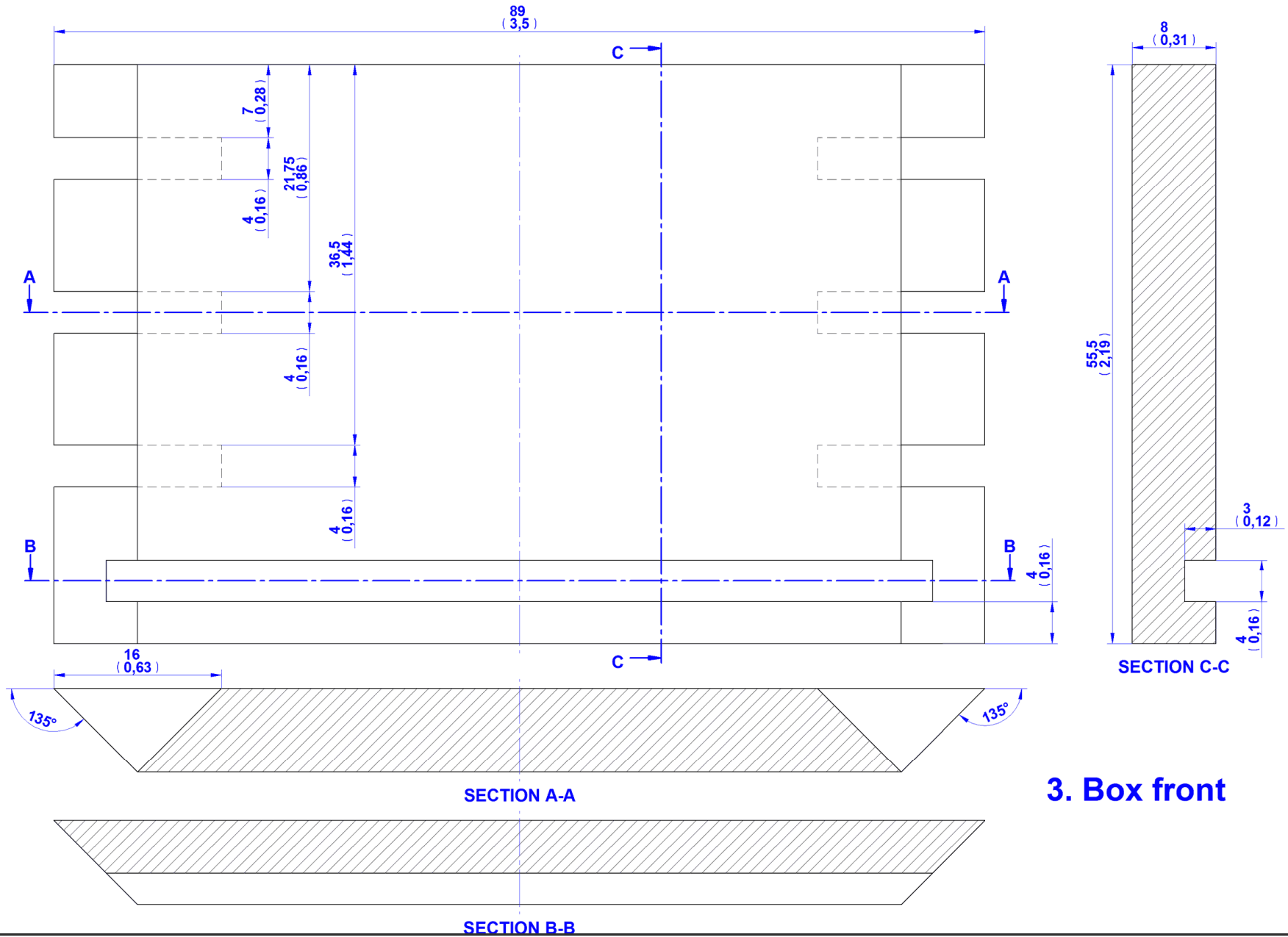


SECTION C-C

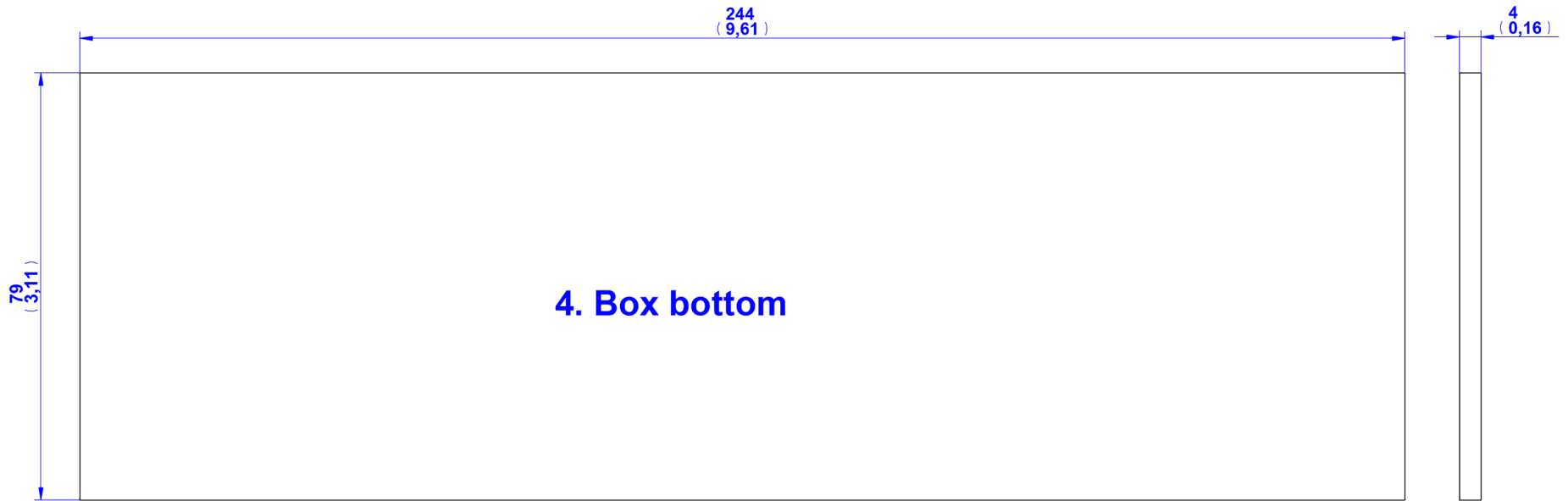
SECTION A-A



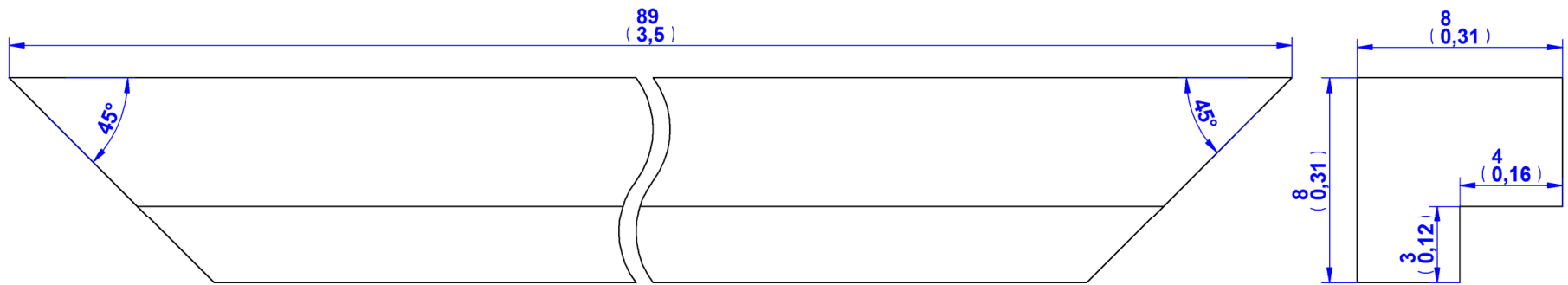




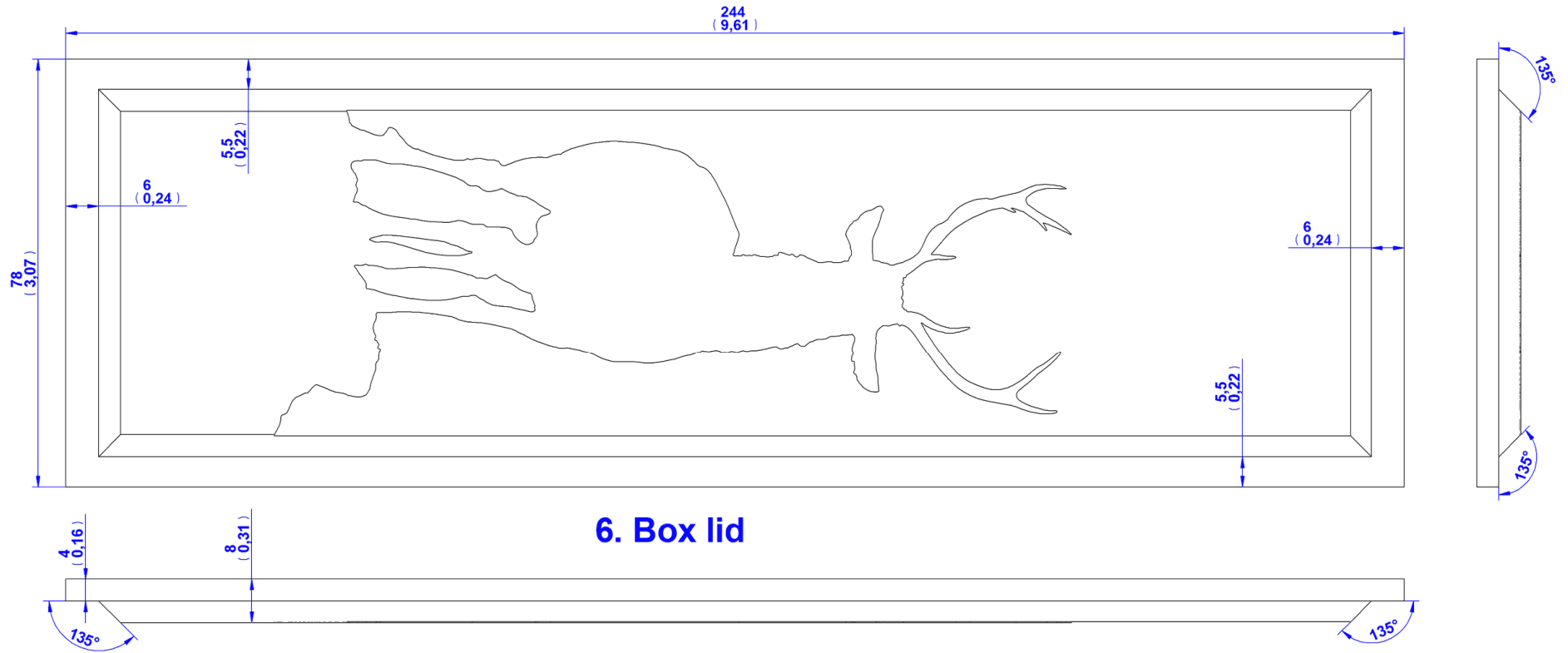
3. Box front

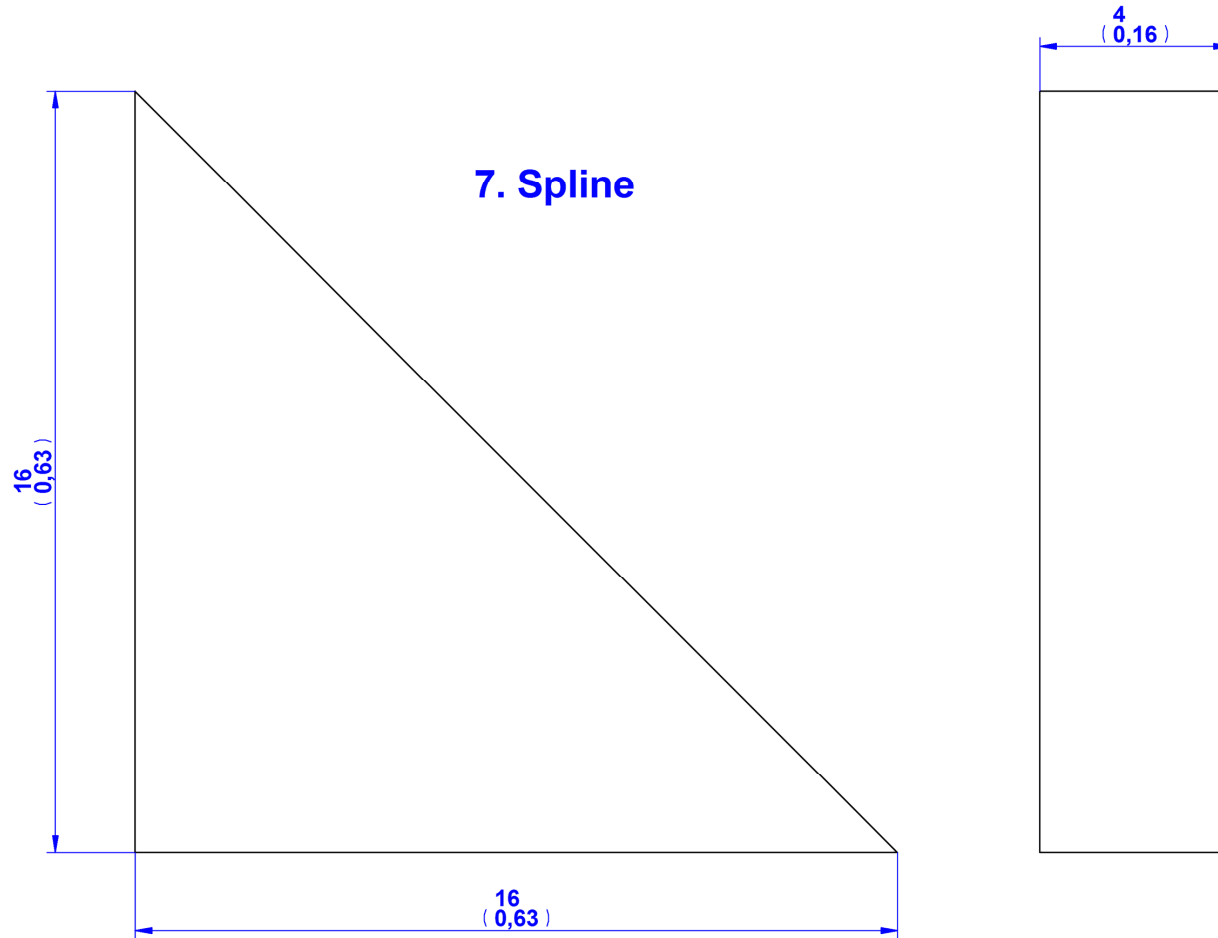


4. Box bottom



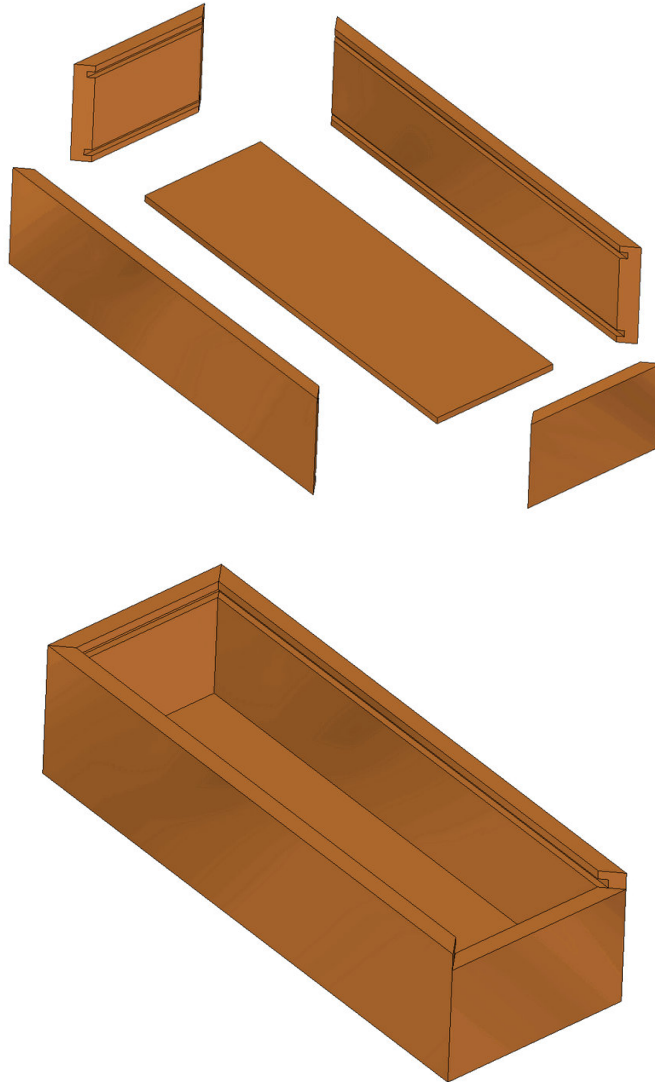
5. Lid pull





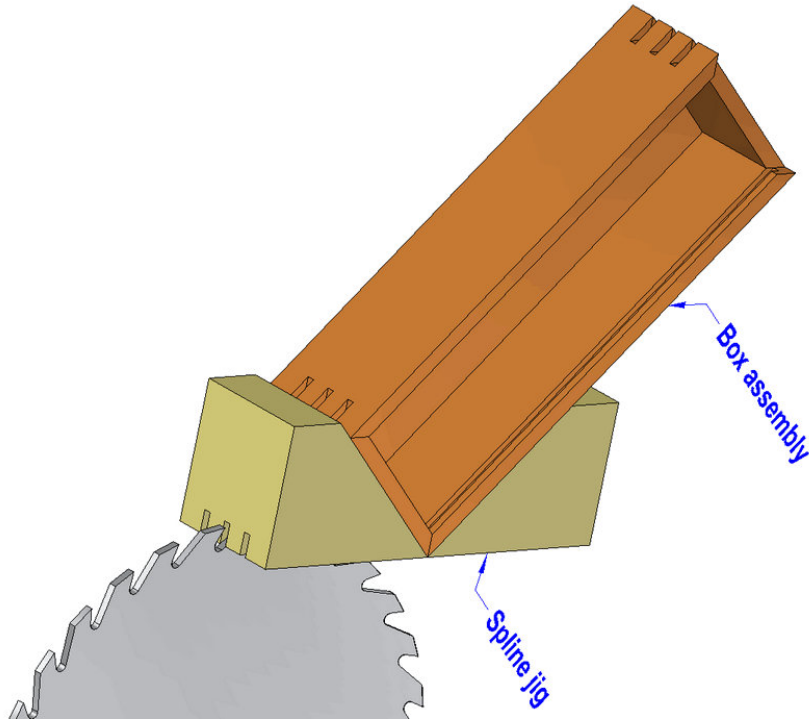
Assemblage instructions

1. Glue the Box Back (part 1), the Box Side (part 2), Box Front (part 3) and the Box Bottom (part 4) together.

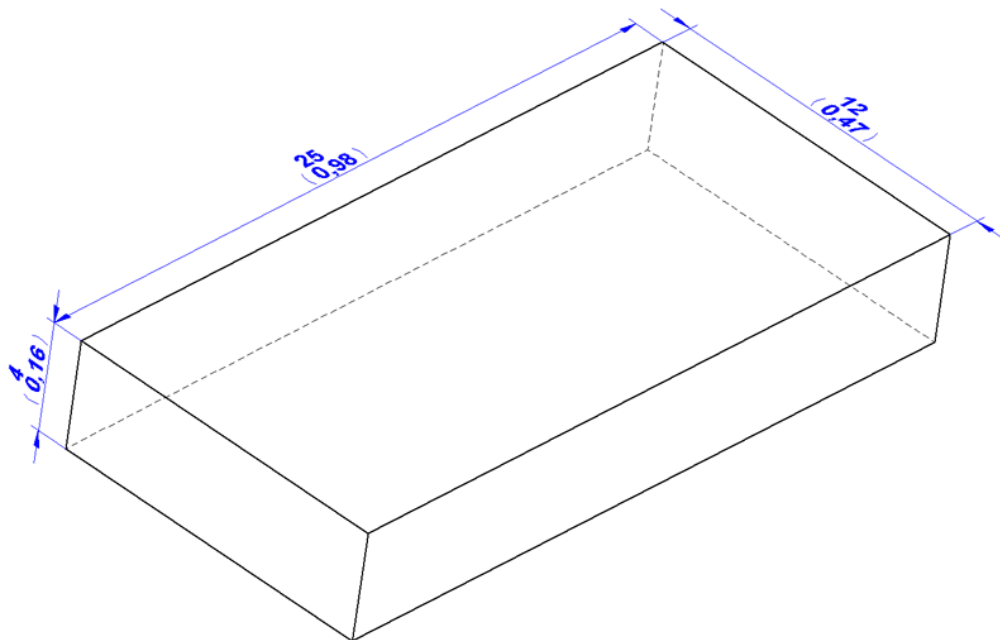


2. To strengthen the box, you need to add few splines to the mitre joints. By adding the splines, they contrast the wood and decorate the box appearance.

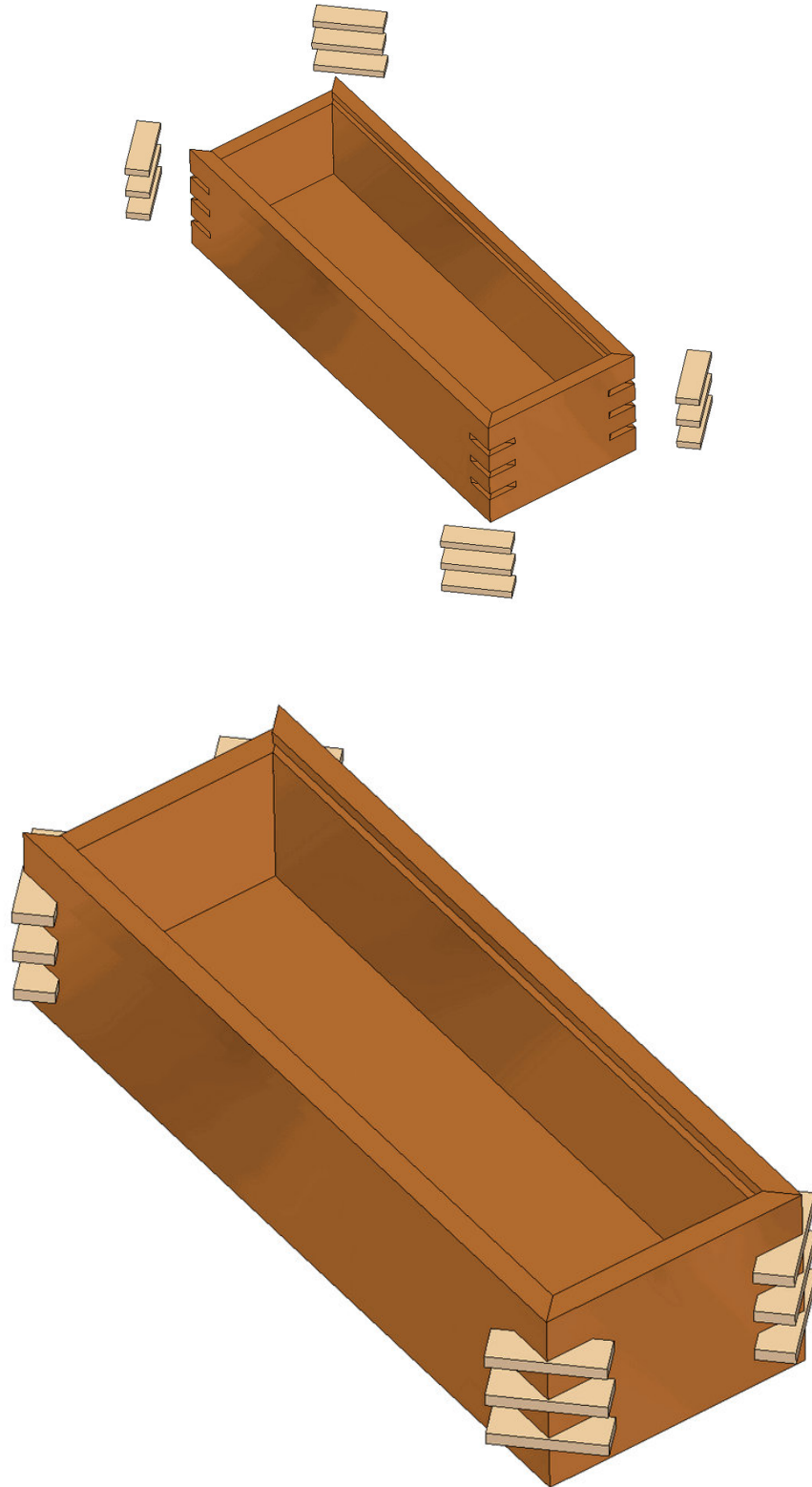
Cut out the corner slots for the splines first. To do this, you need a simple jig (see the picture below for the procedure).

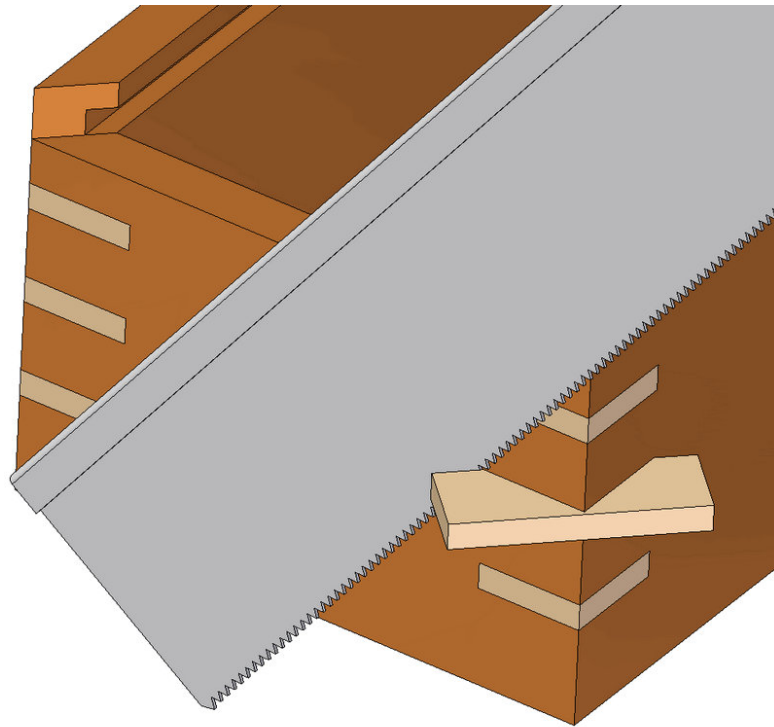


Make 12 spline pieces following the picture below.



All we need to do now is to glue the splines (part 7) into the corner slots, and when glue dries out, trim the splines waste off.





3. Take te sand paper and sand the splines on the Box Lid (part 6), so they can slide inside the Top Groove. With some of the decorating techniques like marquetry, painting, woodburning... beutify the Box lid (part 6).

Glue the Lid Pull (part 5) and the Box Lid (part 6).

