

## Sliding triple spice box plan

This beautiful sliding triple spice box plan is good choice to make, while the project it self has that special vintage touch, which differs from the usual spice boxes that can be found in stores. It is very easy to make it, and fun to use it.

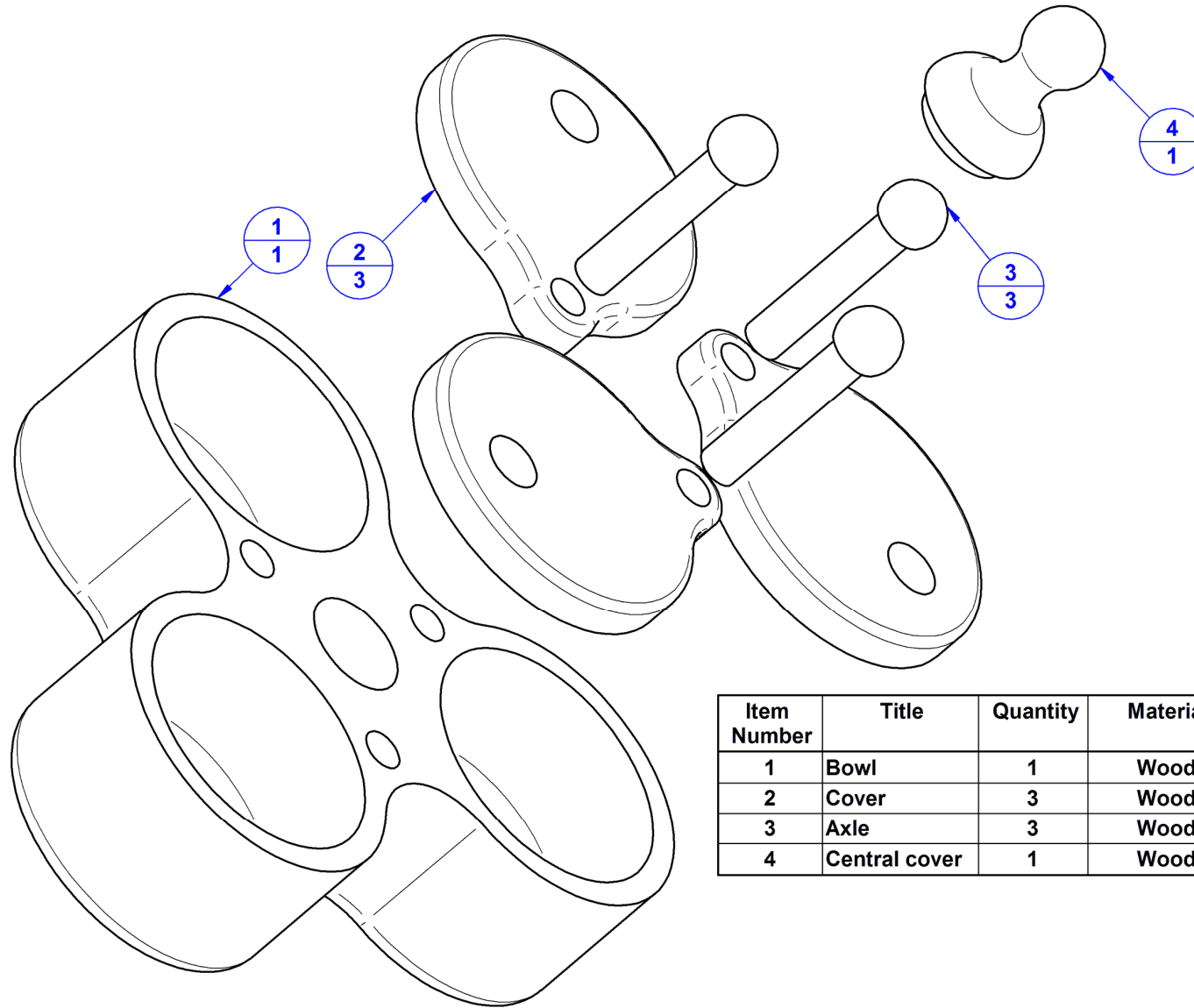
Its wide openings allow you to grab the salt and pepper and other spices with big spoon, or hand, by simply sliding the lid from the box top. It has an additional fourth box, where you can keep toothpicks. Of course, you can put different kinds of spices in these boxes, or by changing its dimensions; you can easily adjust this sliding box for a different purpose.

Wash it with warm water by hands.

The measurements are given in millimeters, while the measurements given in inches are in brackets (1 inch = 25, 4 mm).

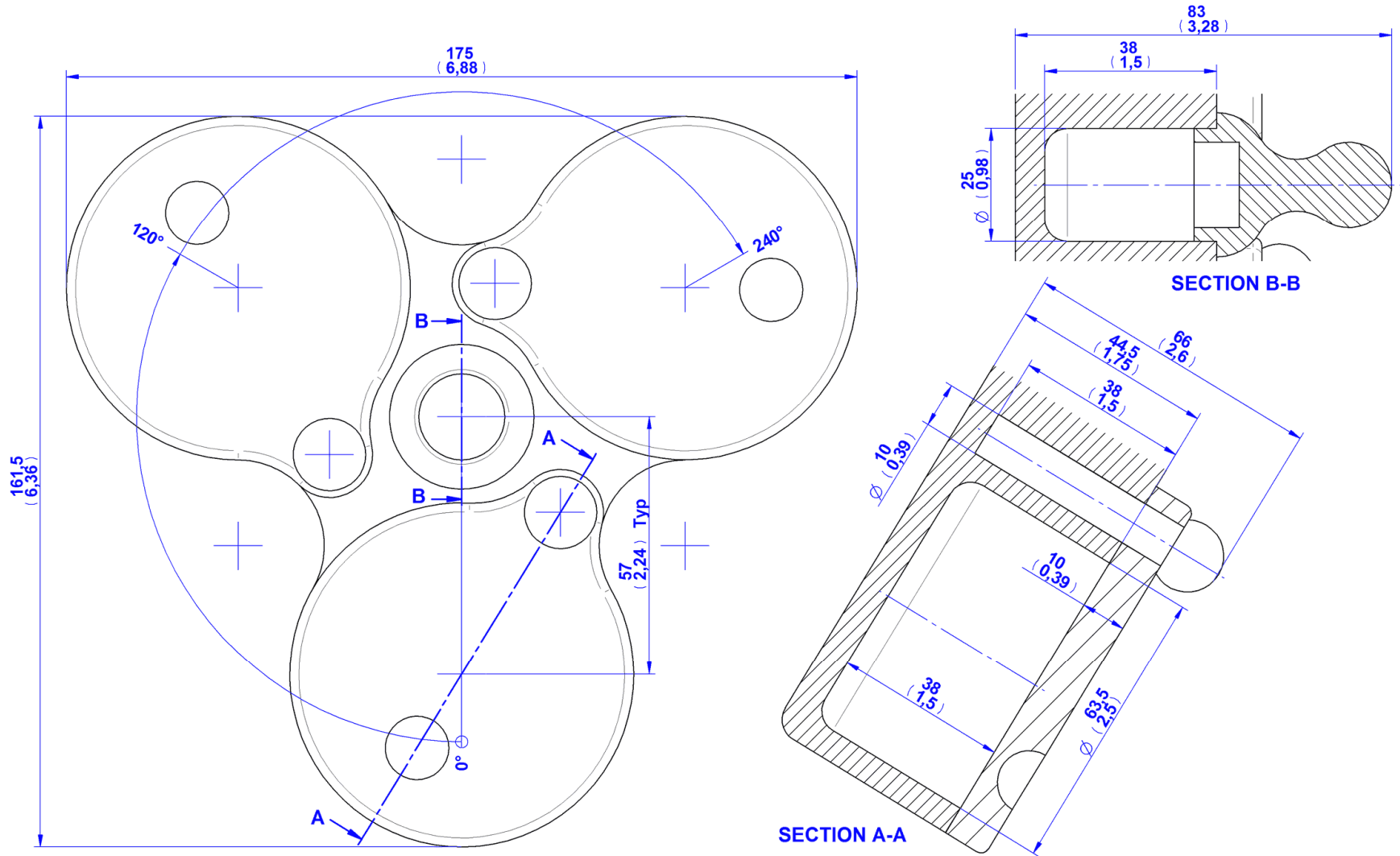


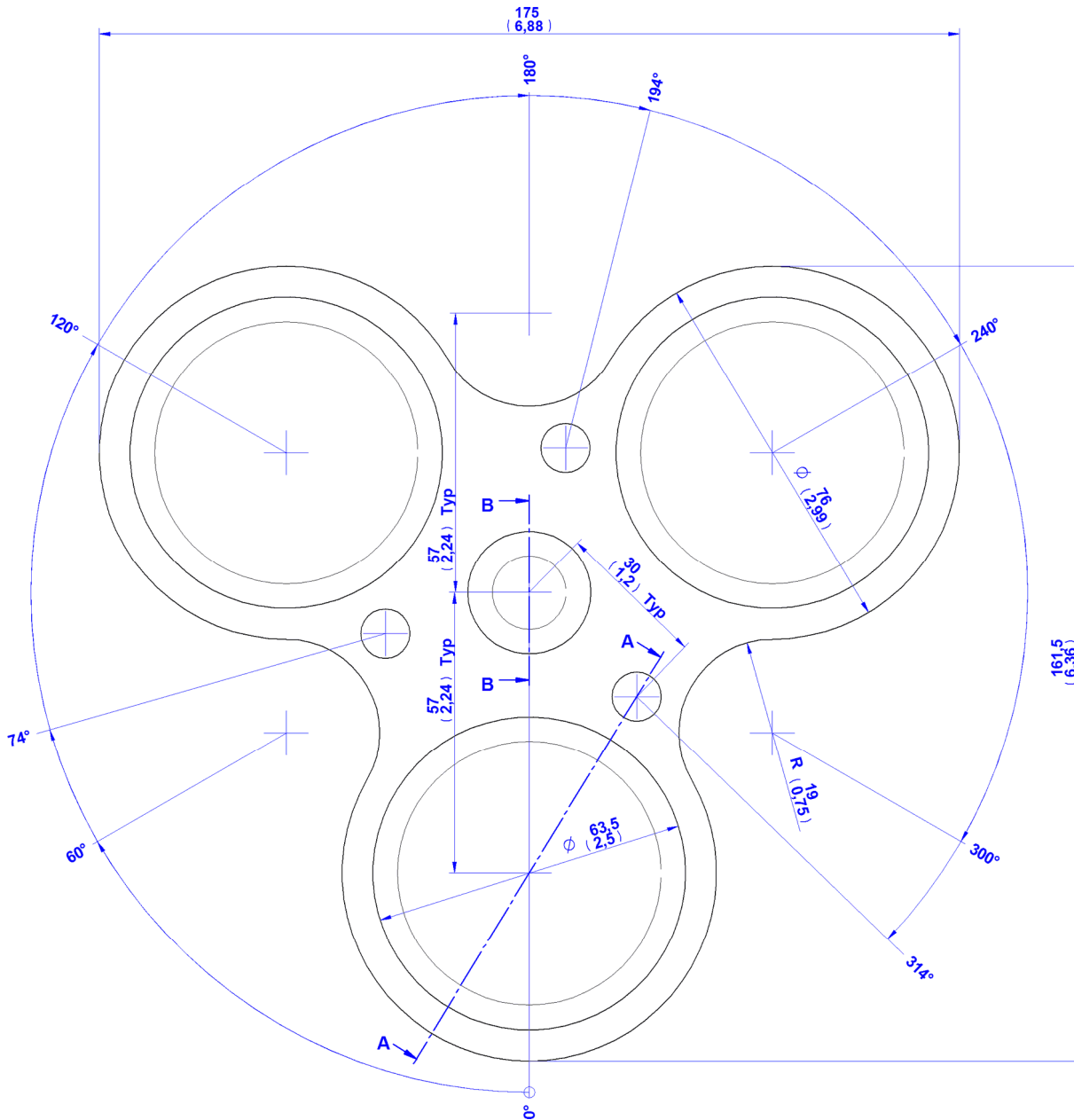
Sliding triple spice box plan – Parts list



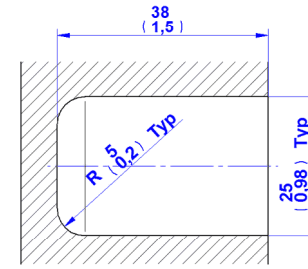
Item Number	Title	Quantity	Material
1	Bowl	1	Wood
2	Cover	3	Wood
3	Axle	3	Wood
4	Central cover	1	Wood

Sliding triple spice box plan – Assembly 2D drawing

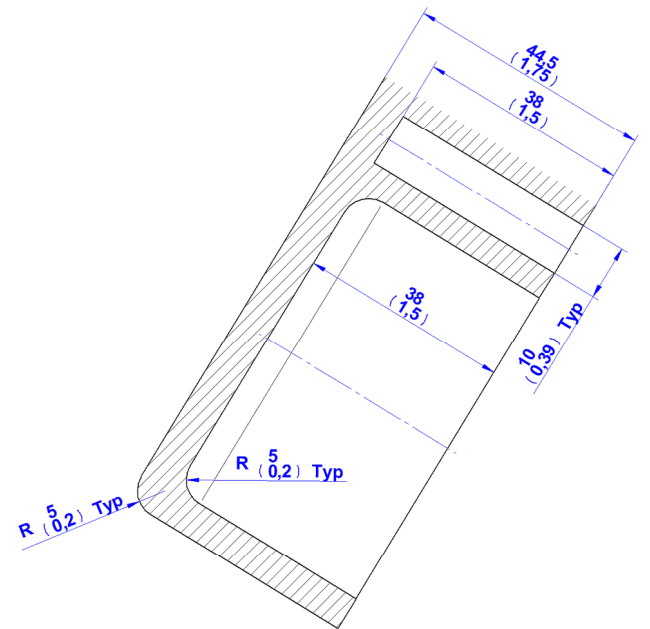




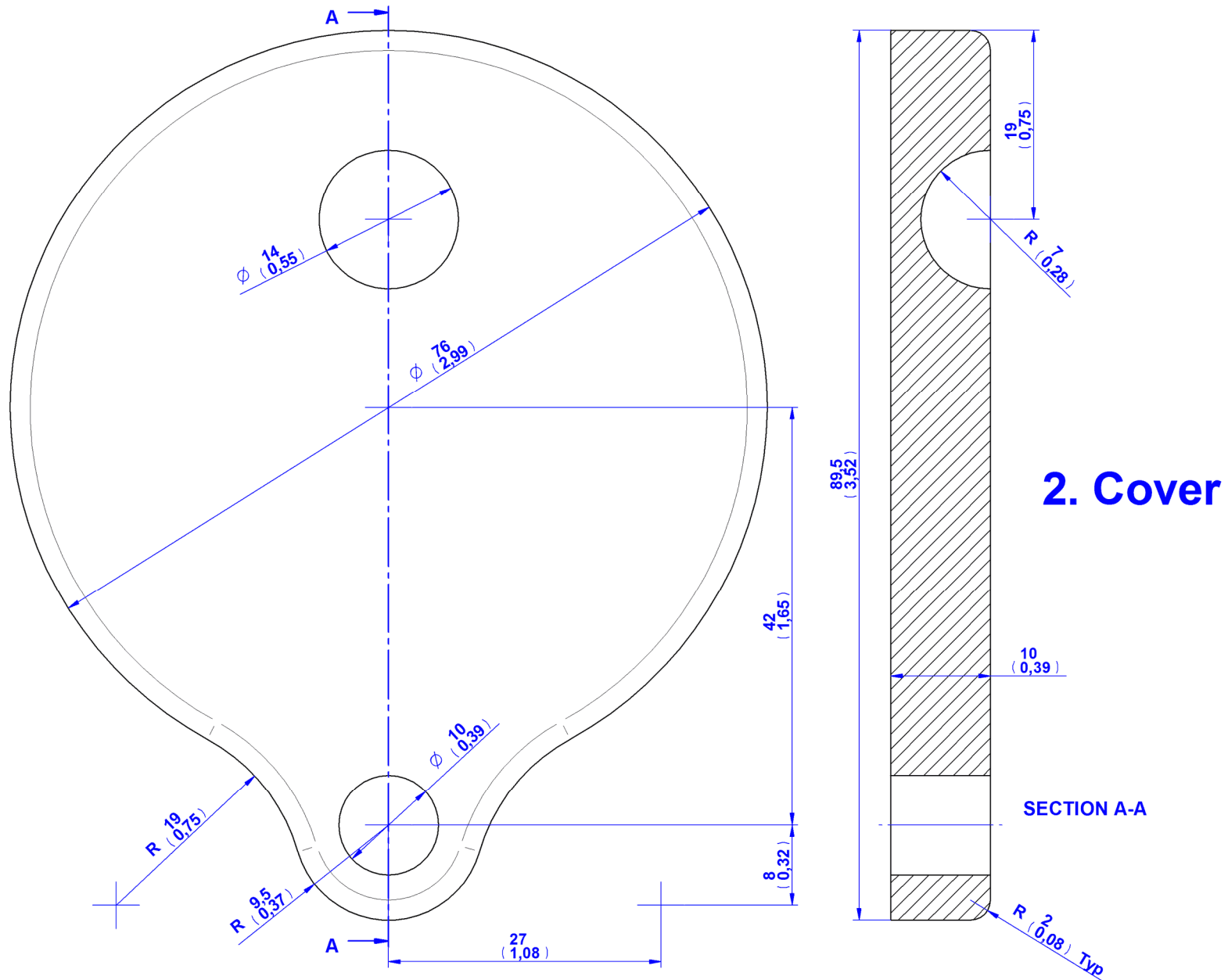
# 1. Bowl



SECTION B-B

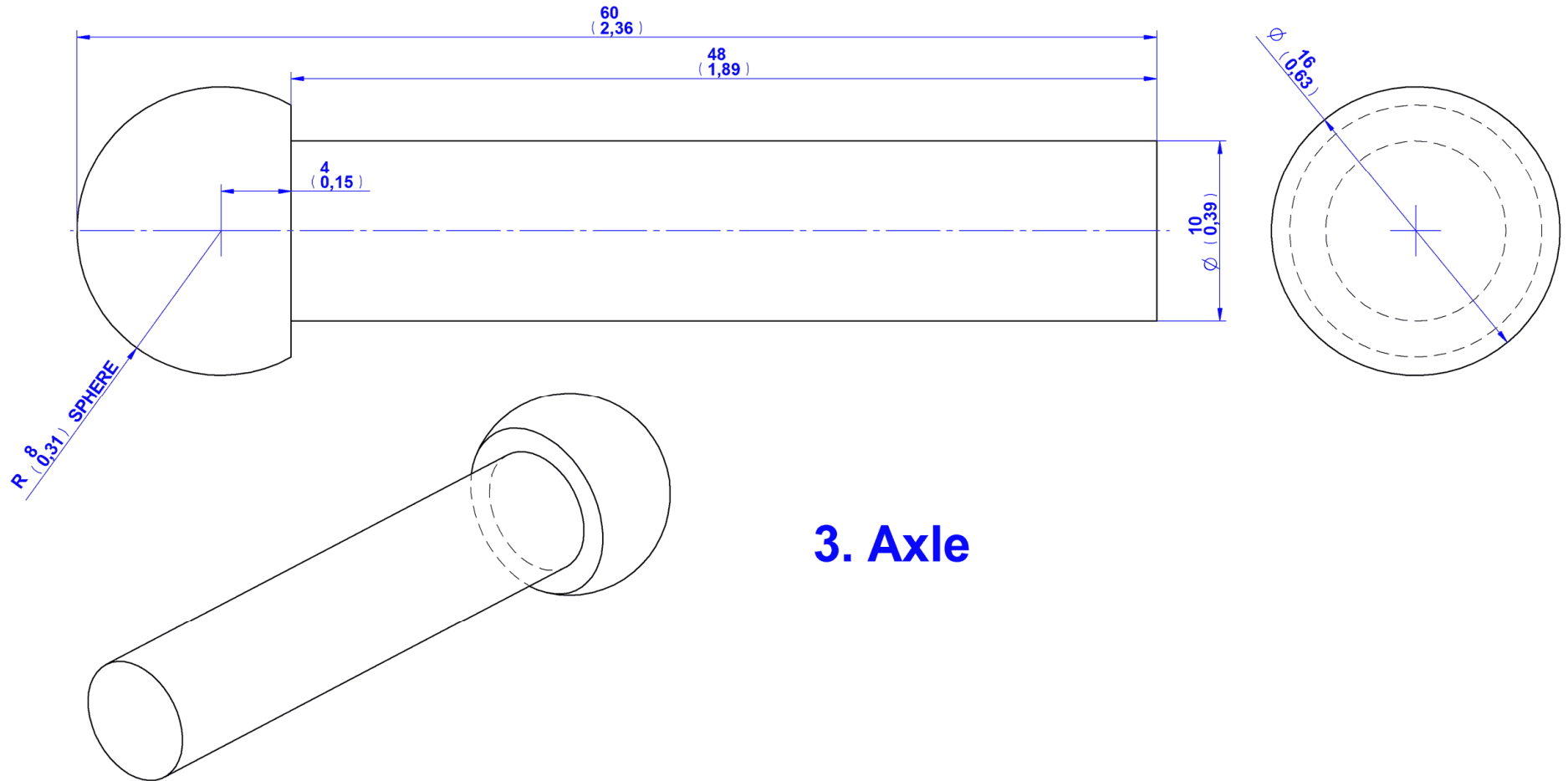


SECTION A-A

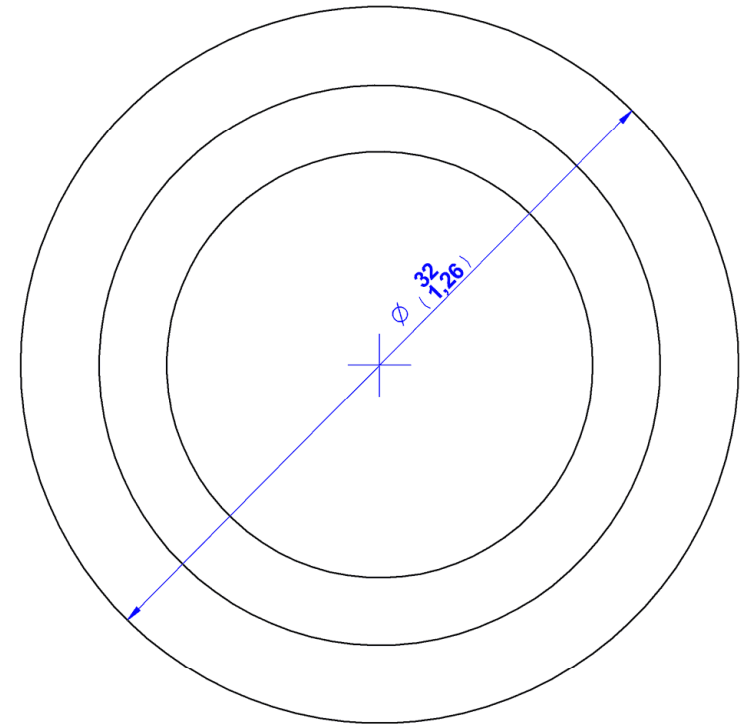
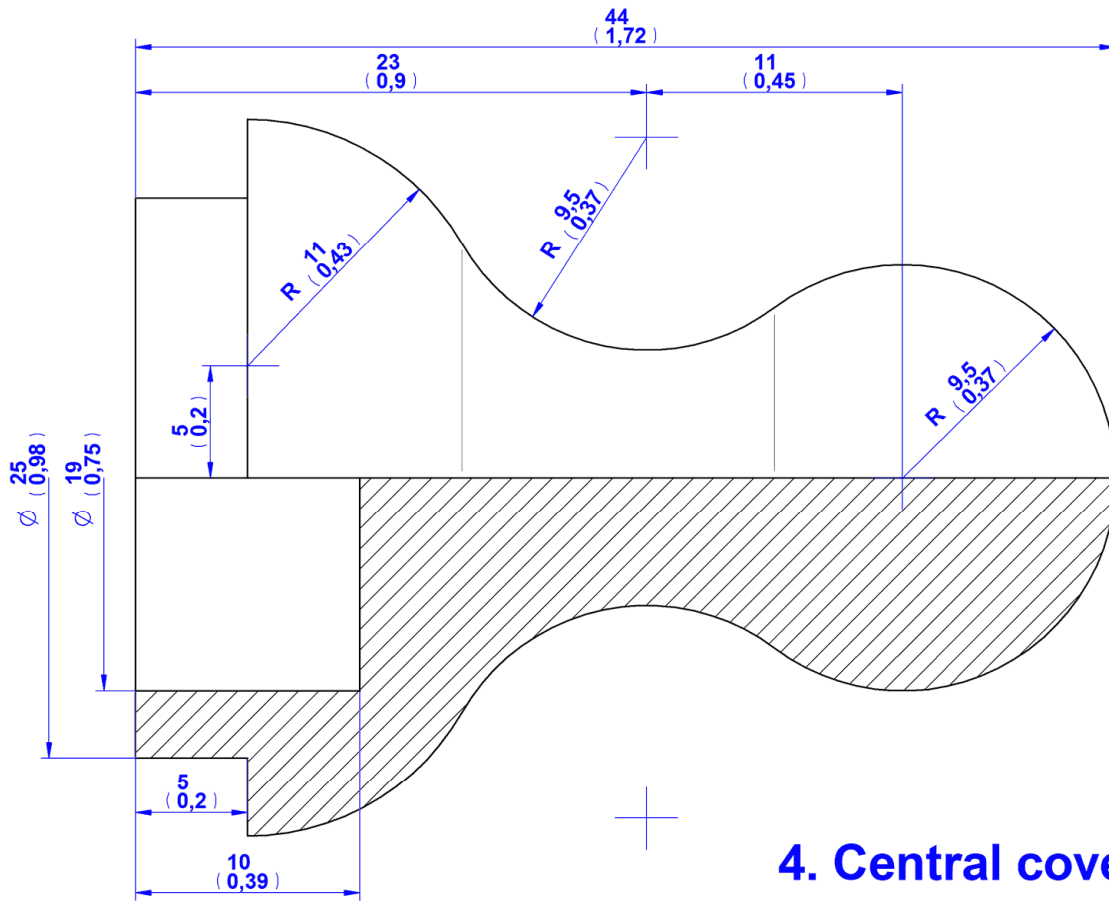


## 2. Cover

SECTION A-A



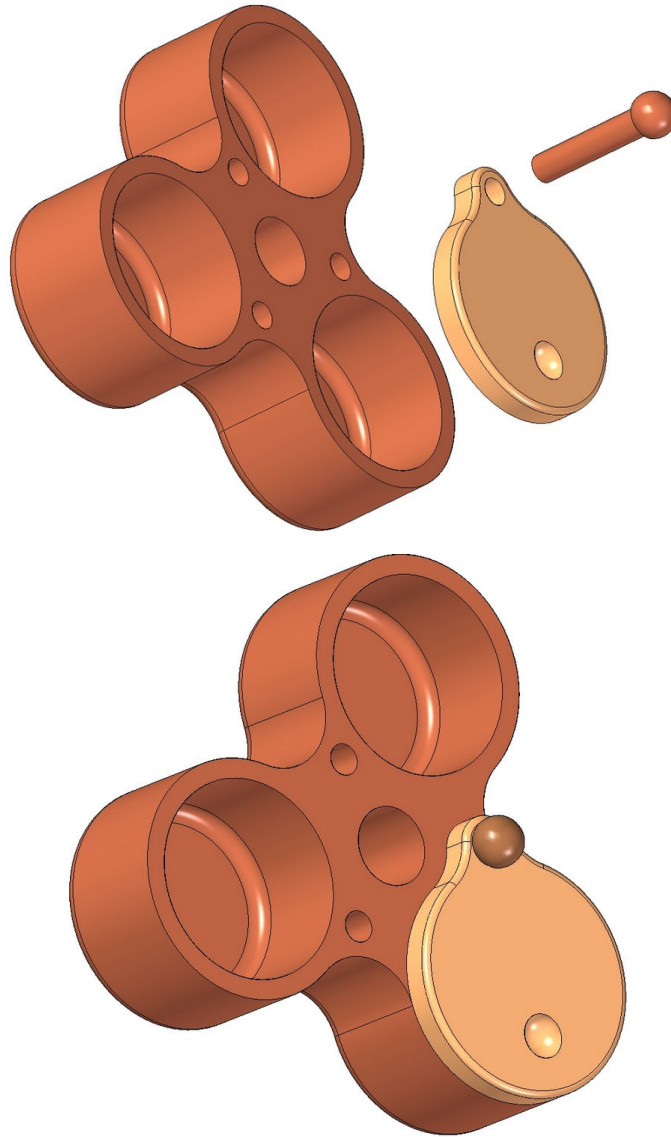
### 3. Axle

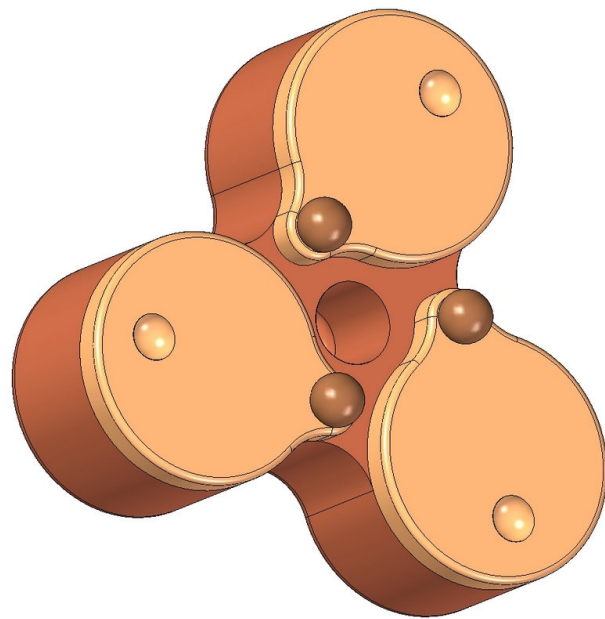
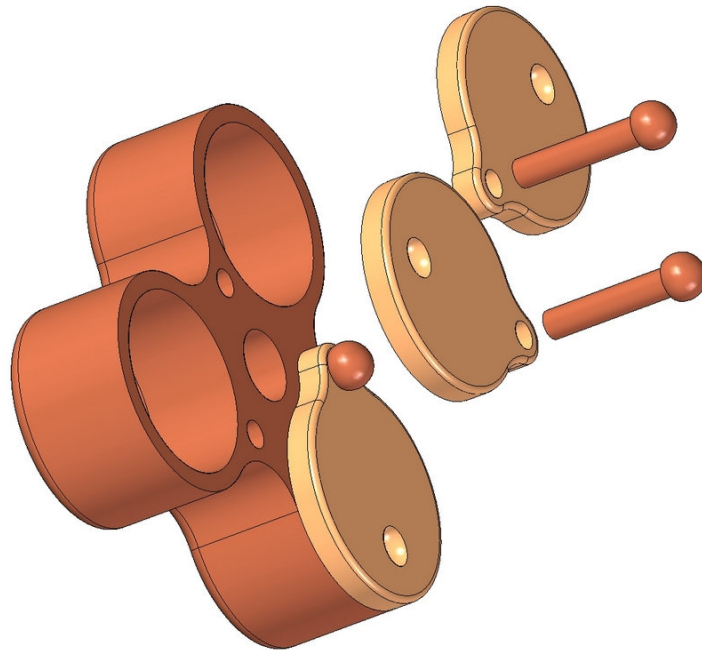


#### 4. Central cover

## Assemblage instructions

Attach the Axles (part 3) and Covers (part 2) to the Bowl (part 1) using glue.





If you wish to keep some kind of spice in the central hole on the Bowl (part 1), then you need the Central cover (part 4), but If you intended to keep toothpicks in it you do not need this Cover.

