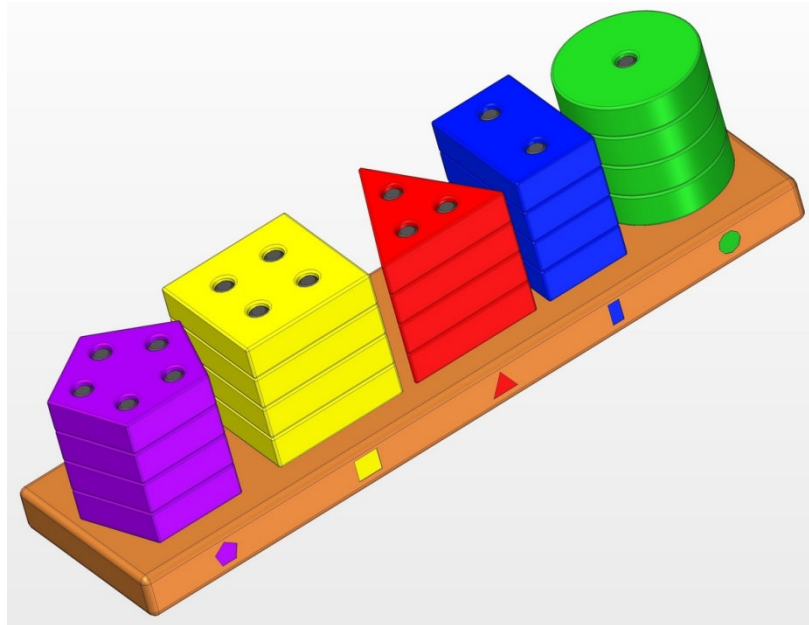


Stackershape toy



Playing games is an integral part of every person's life. The game is very important for growing up the child, because children fully concentrate to it, they have a great joy during the play and their approach to the game is free and spontaneous.

During the play, a child often uses some toy, which should fulfill a certain standards. It should be easy to use, have visual and aesthetic quality, be properly adjusted for the child's hand, have vivid colors and its construction should be easily understandable. In addition to that, every toy should be firm and well shaped, so the child could not hurt itself. Glues and paints should be stable, without smell and above all harmless substances. Toys designed for the younger kids should be larger and simpler, because small children have limited skills of toy manipulation. The composite toys are suitable for the older children. The most important quality of toy for any child's age is its well-planned function.

This toy develop visual perception and the ability to distinct various geometrical shapes, also child's attention and observation, stimulating development of logical thinking. These insertion types of toys are made for older children, but they can be adjusted for younger kids as well. Manipulating with this toy encourages the opportunity to observe, evaluate and compare various objects for inserting into the openings on the toy.

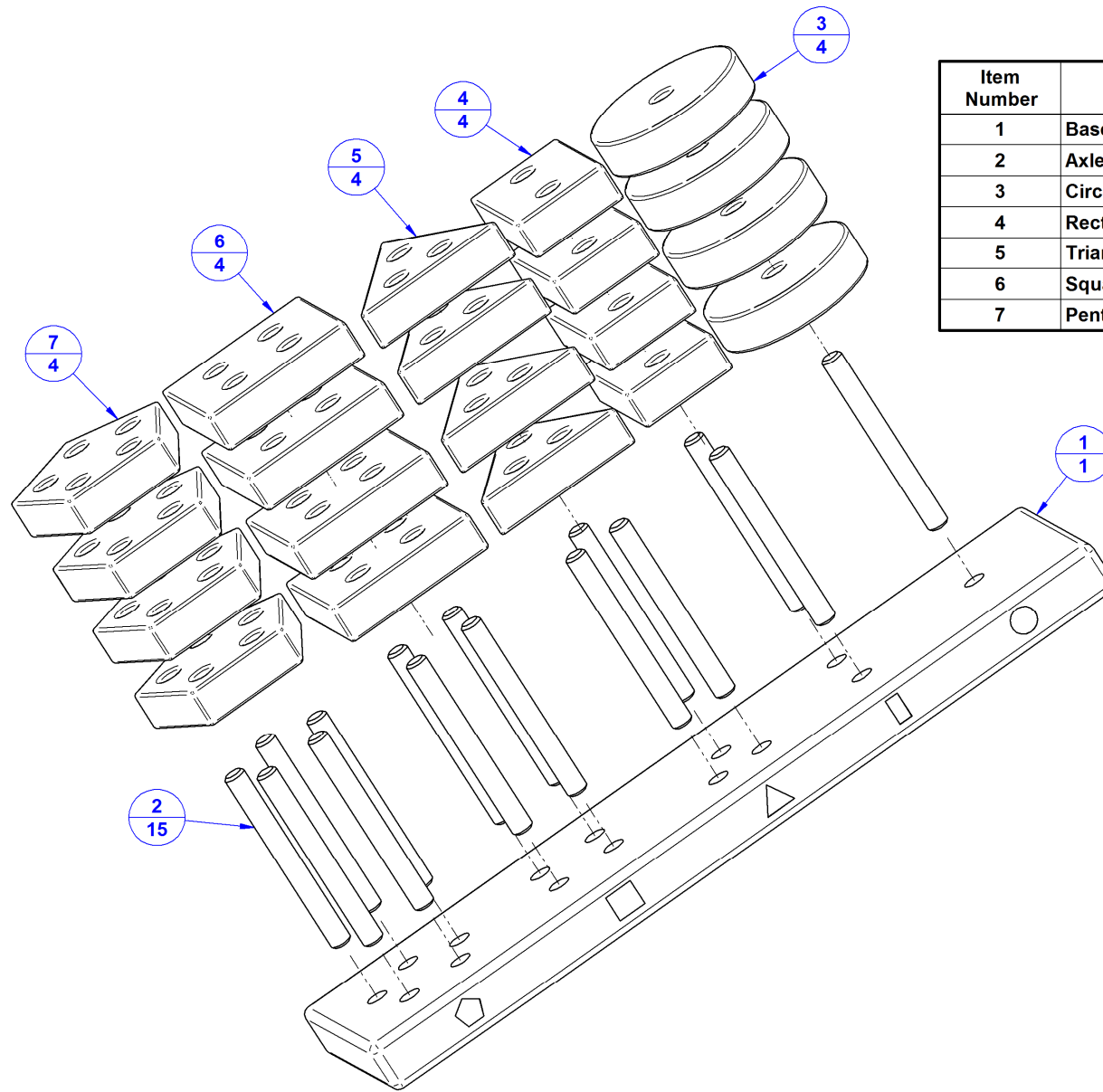
This is the plan for manufacturing a simple educative Stackershape toy for your child. The whole structure can be made at home for a relatively short time. You can use various types of wood, but we recommend birch, beech, maple or alder.

If you choose to protect the surface of your project with wood paint or lacquer, be careful to use only substances that are safe and harmless for your child.

Carefully make all the parts of the toy by the measurements given on particular pictures.

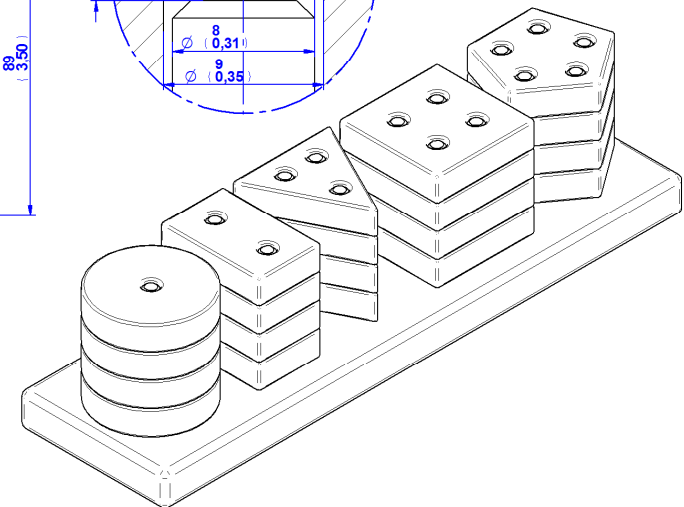
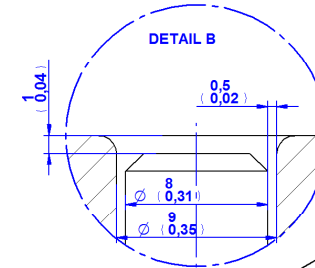
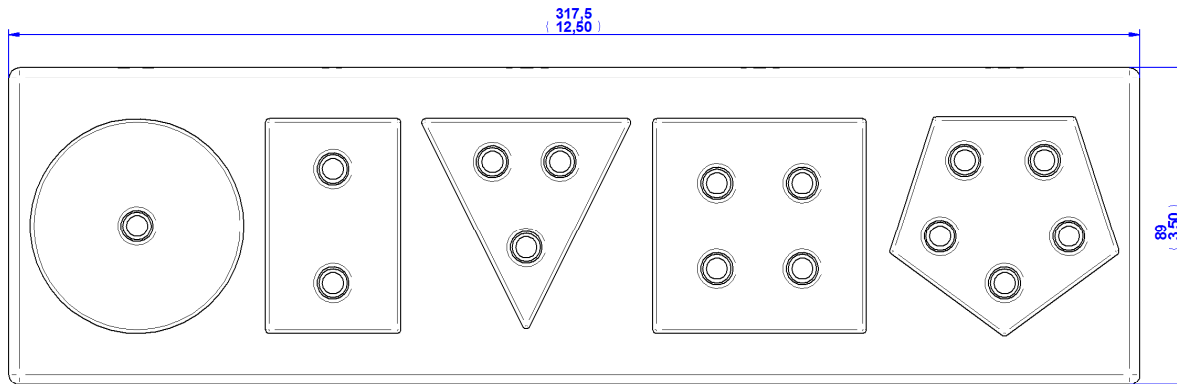
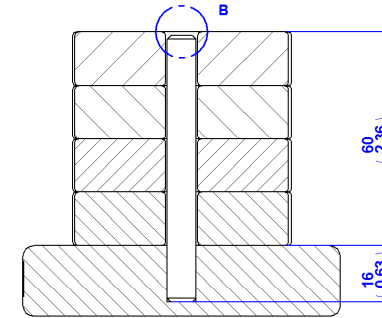
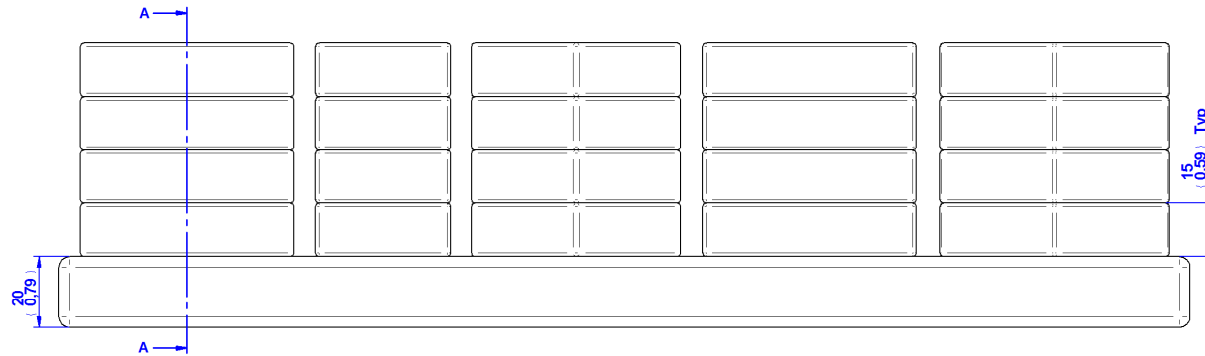
Note: The measurements are given in millimeters, while the measurements given in inches are in brackets (1 inch = 25, 4 mm).

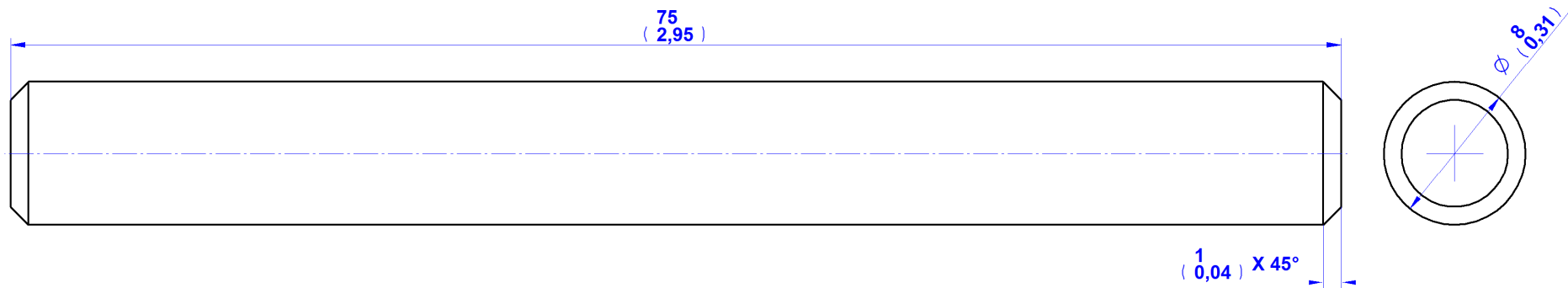
PARTS LIST



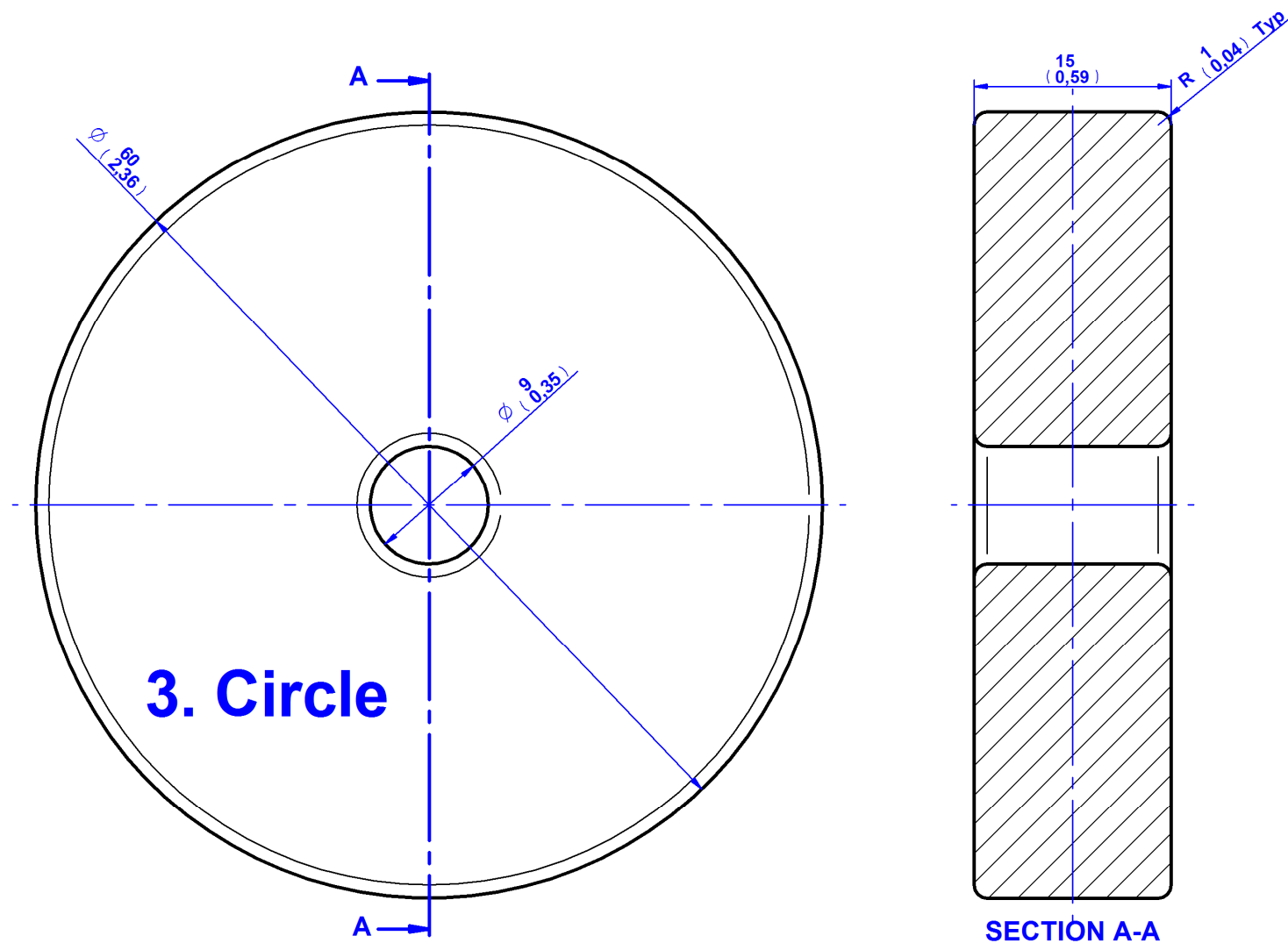
Item Number	Title	Material	Quantity
1	Base	Wood	1
2	Axle	Wood	15
3	Circle	Wood	4
4	Rectangle	Wood	4
5	Triangle	Wood	4
6	Square	Wood	4
7	Pentagon	Wood	4

2D Documentation

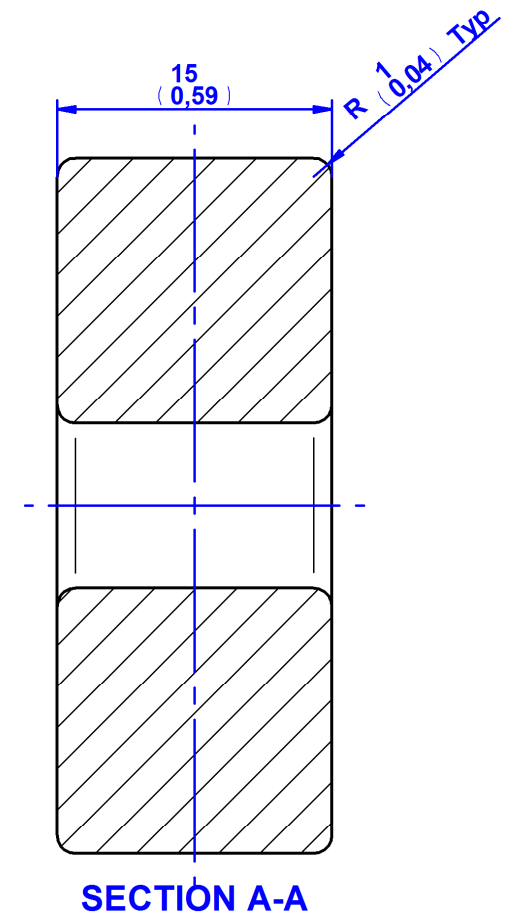
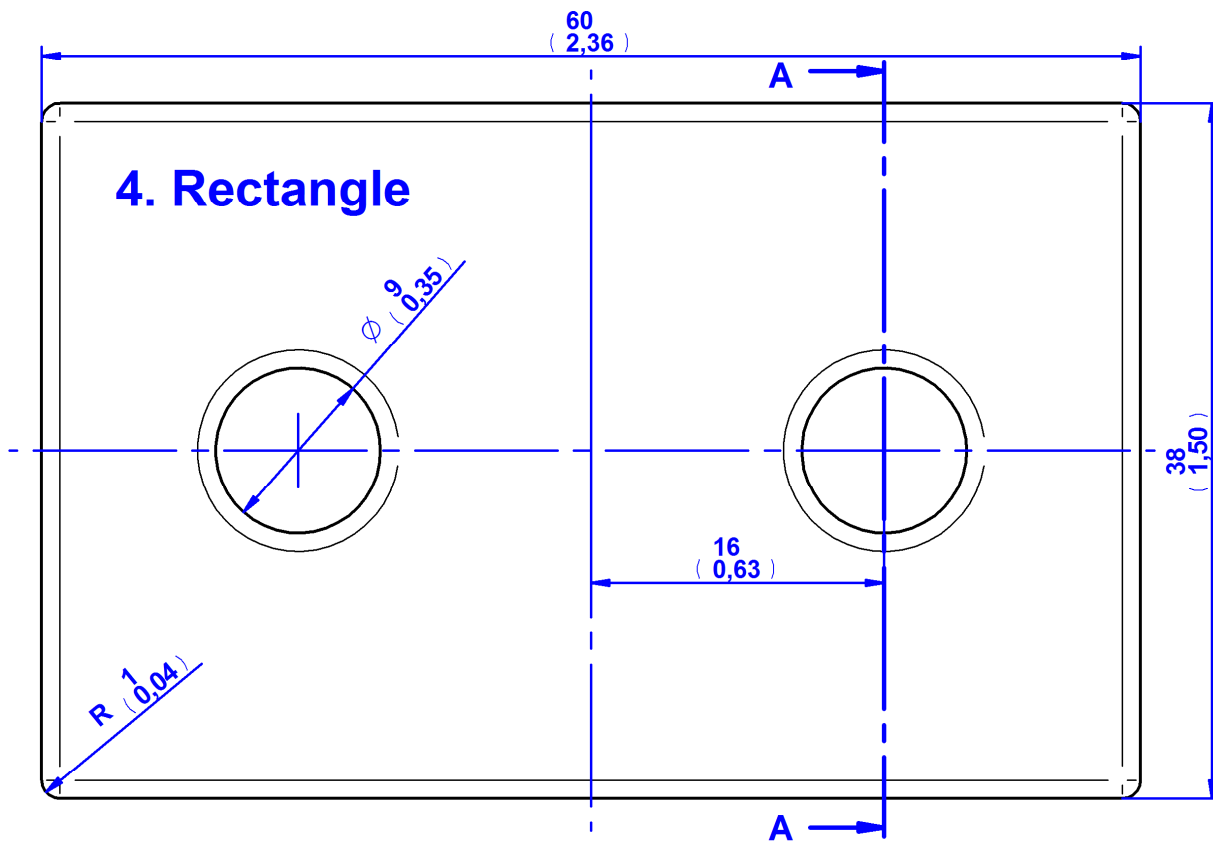




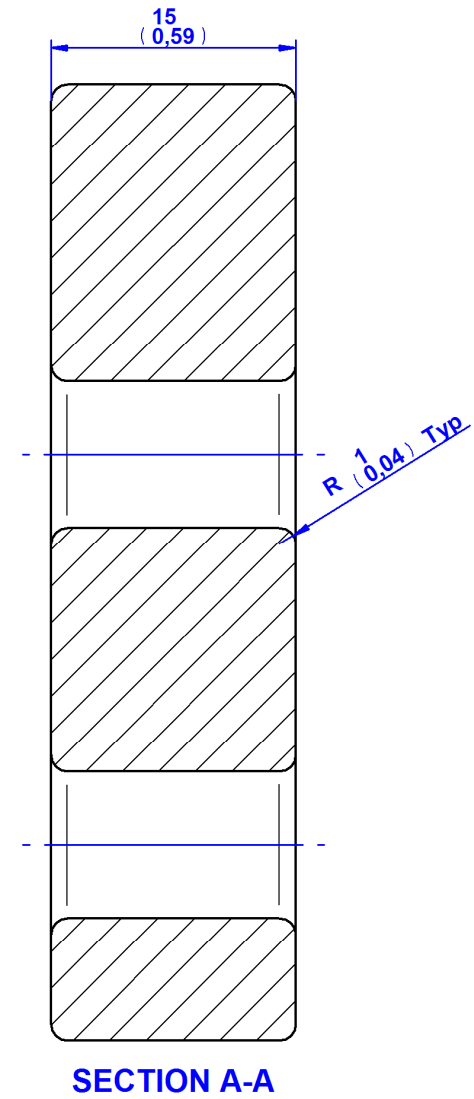
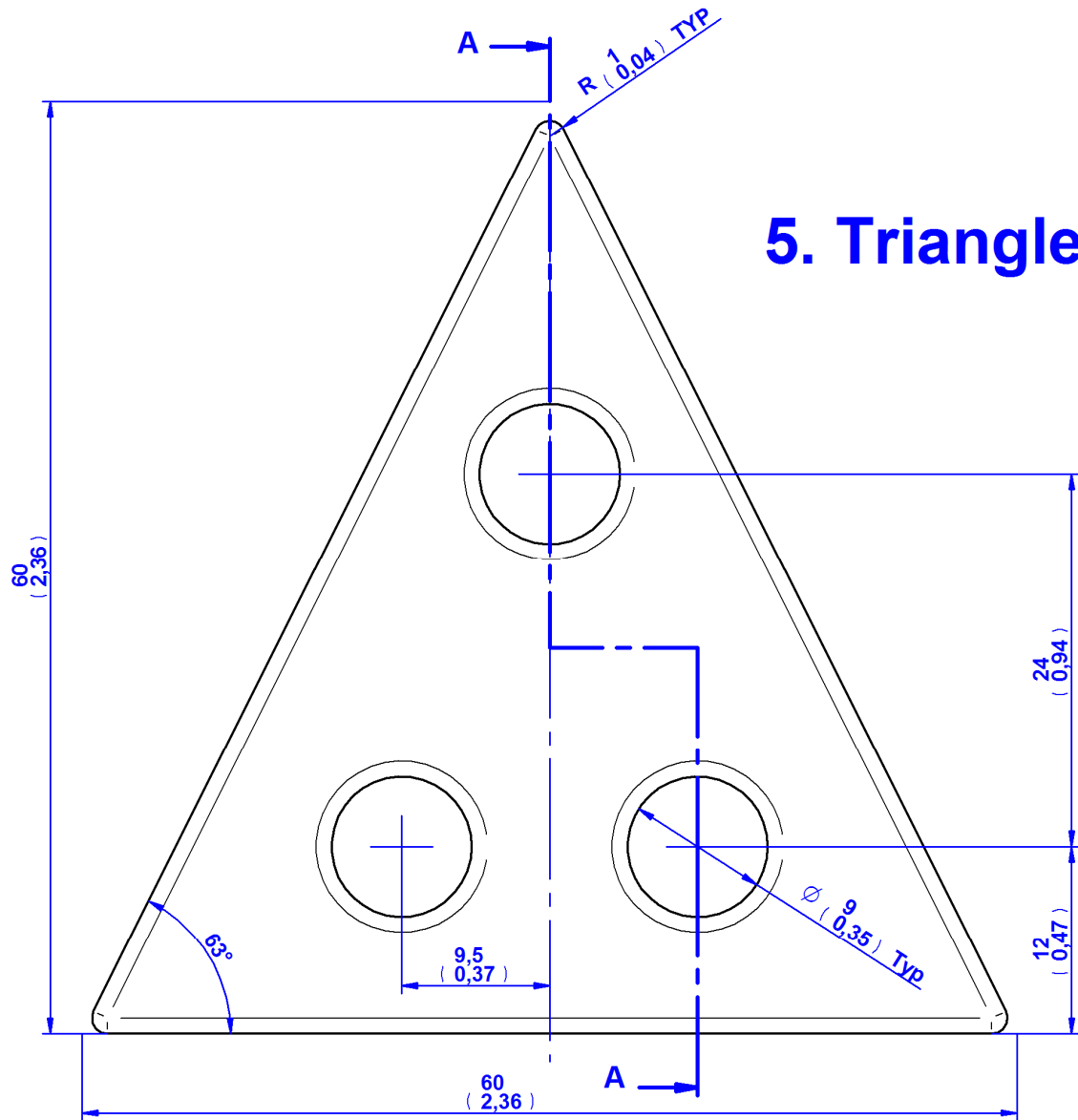
2. Axle

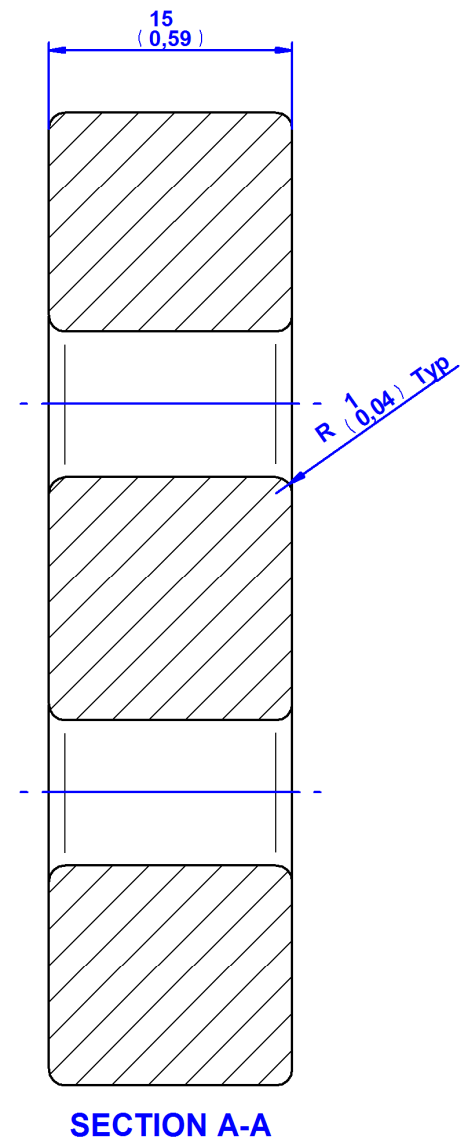
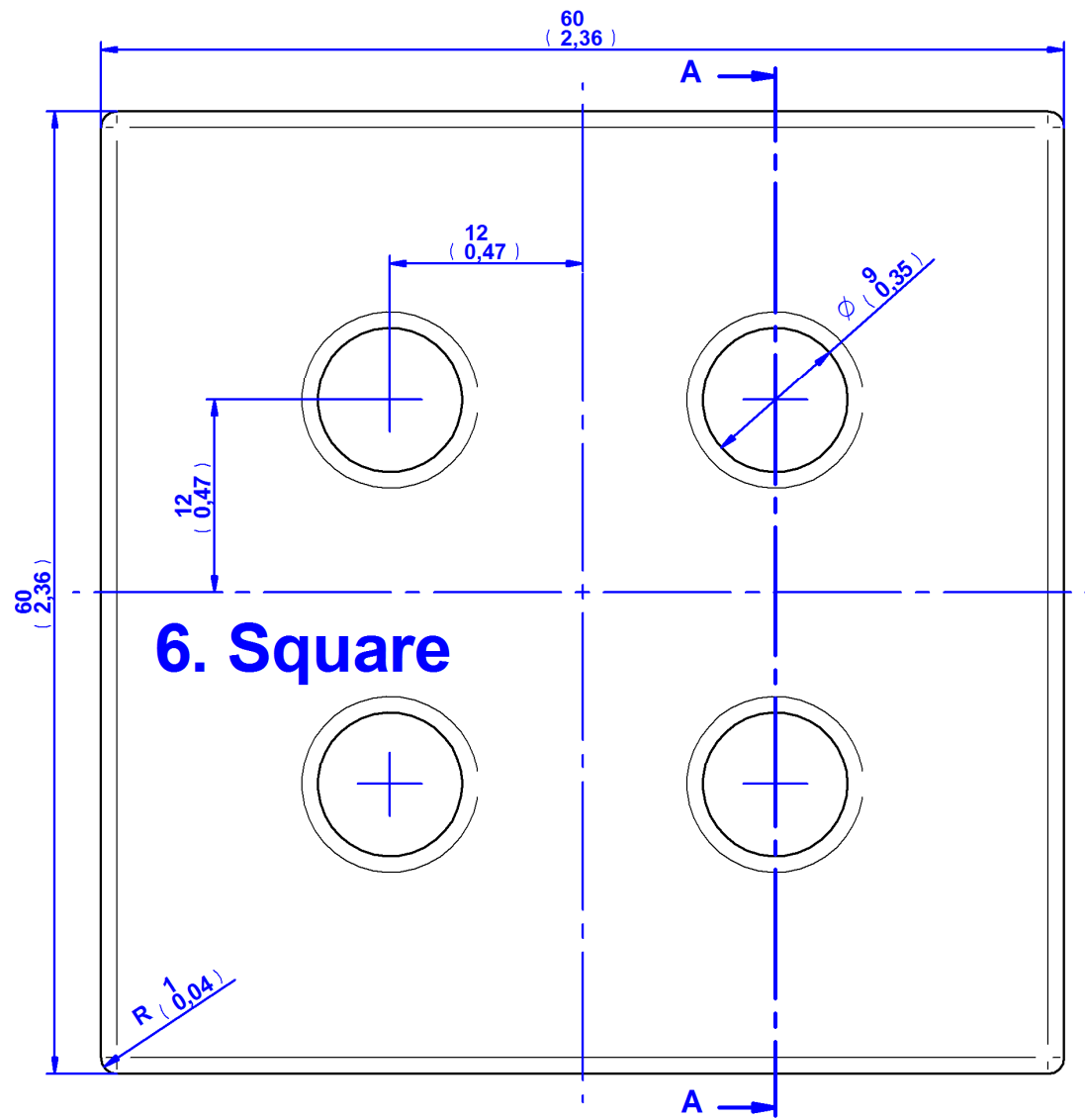


3. Circle

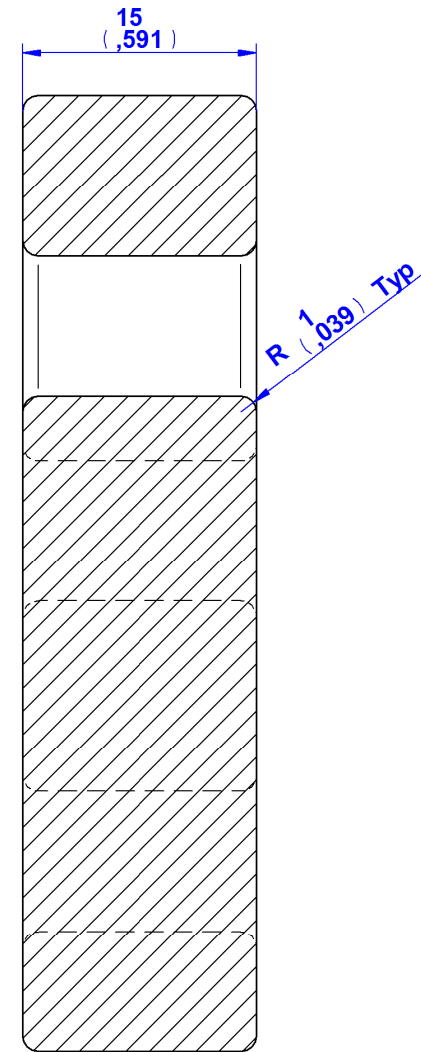
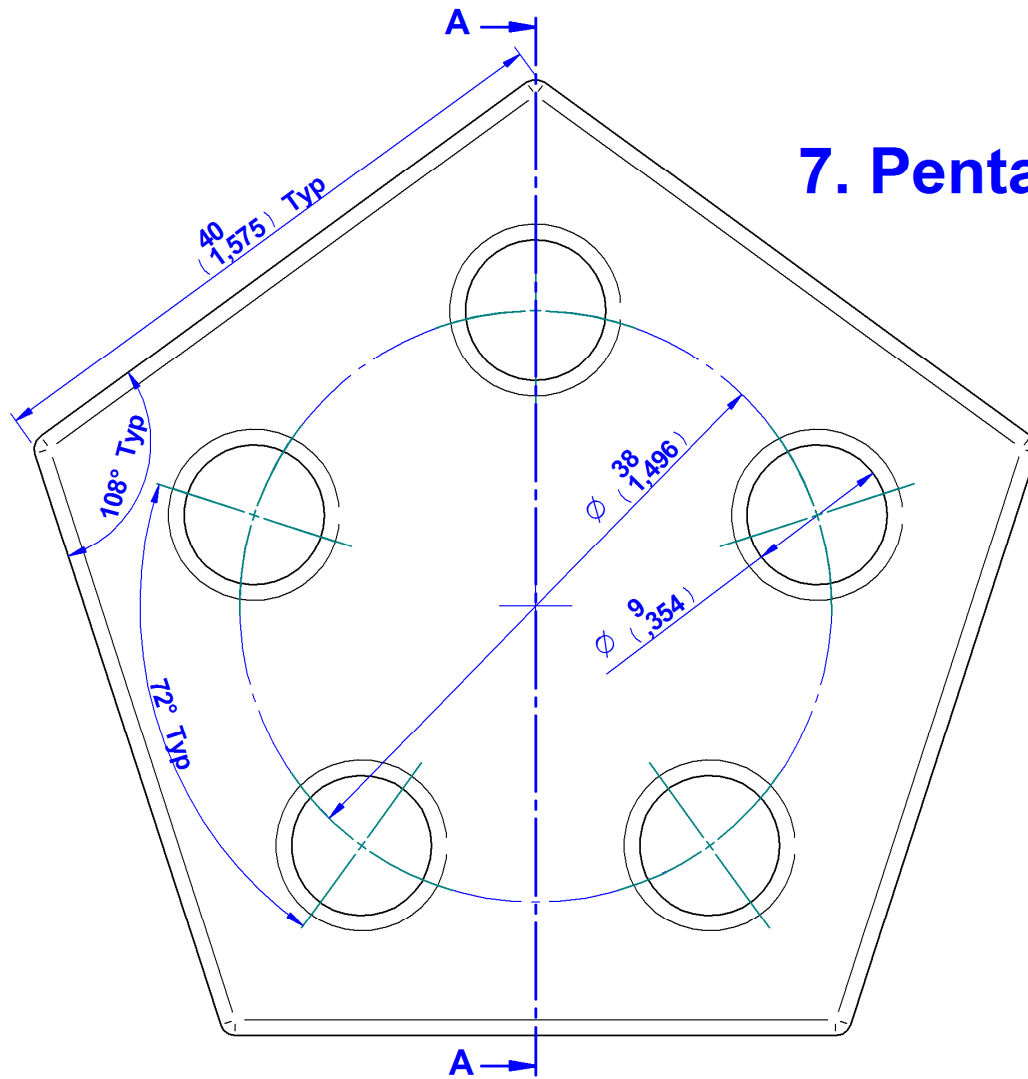


5. Triangle





7. Pentagon



ASSEMBLAGE INSTRUCTIONS

After making all the parts of the toy, put some glue into all the holes on the Base and stick the Axle in it. Be careful with dosage of glue, because it could come out from the holes and smear the surface of an object.

