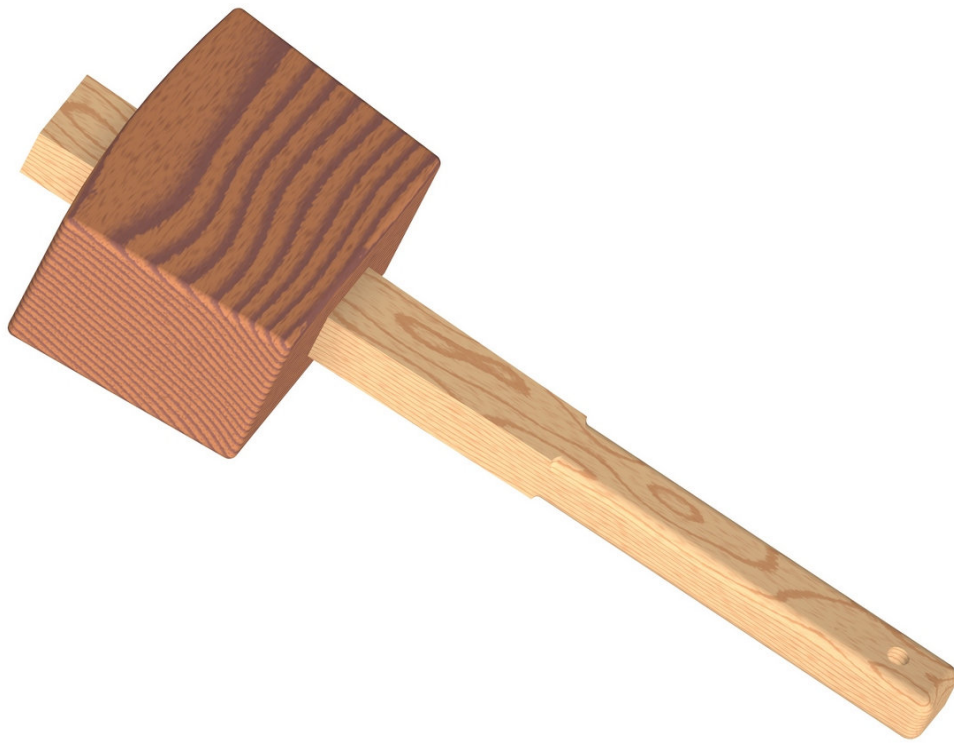
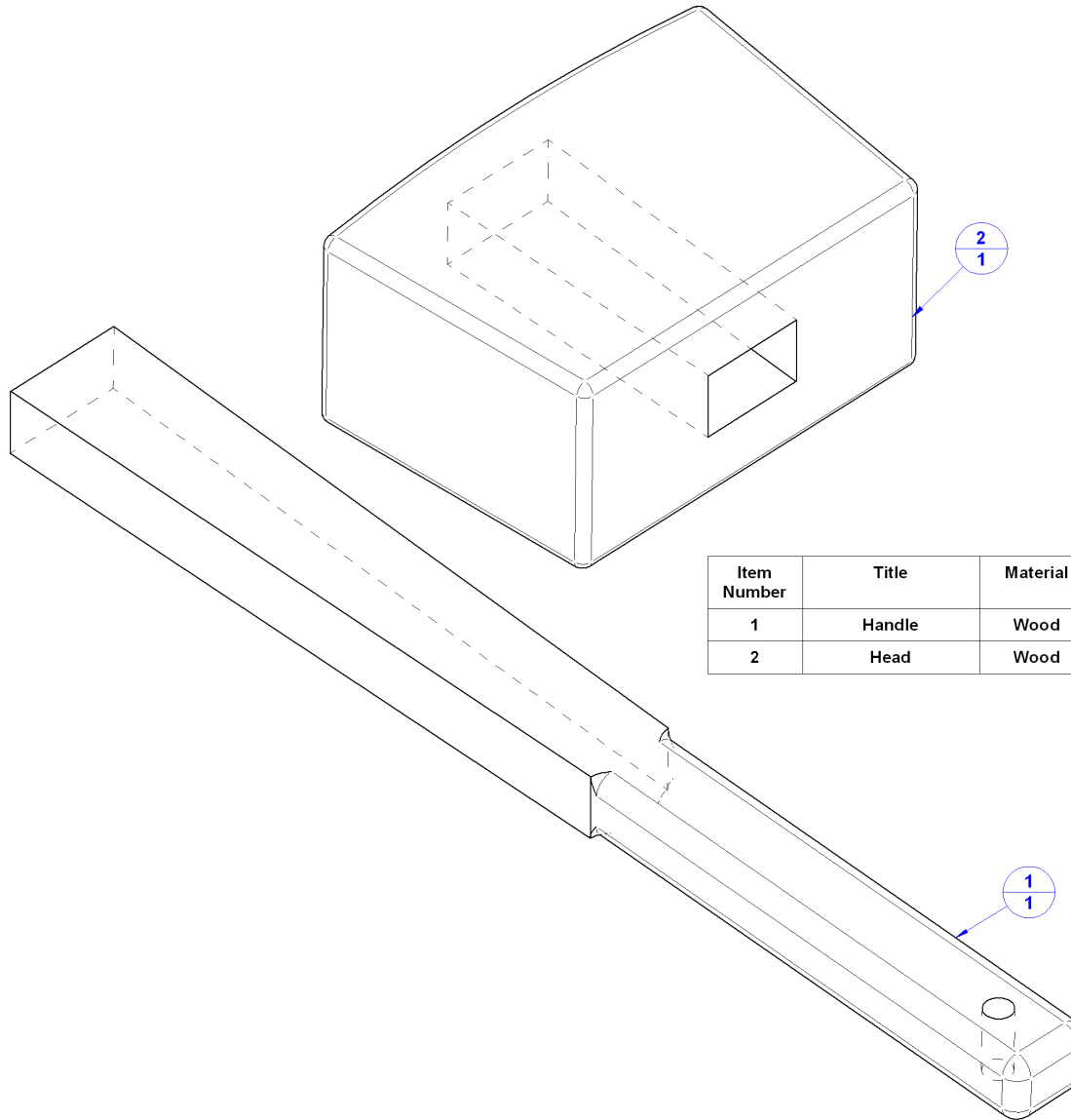


## Wooden Mallet

The wooden mallet is one of the easiest tools to make, and is essential for all joinery and furniture making. Choose the hardest and heaviest timber available for the head. If it is a problem to find a piece the right thickness, glue two or three pieces together. The handle can be made from any suitable hardwood. The dimensions given are for a medium-sized mallet.

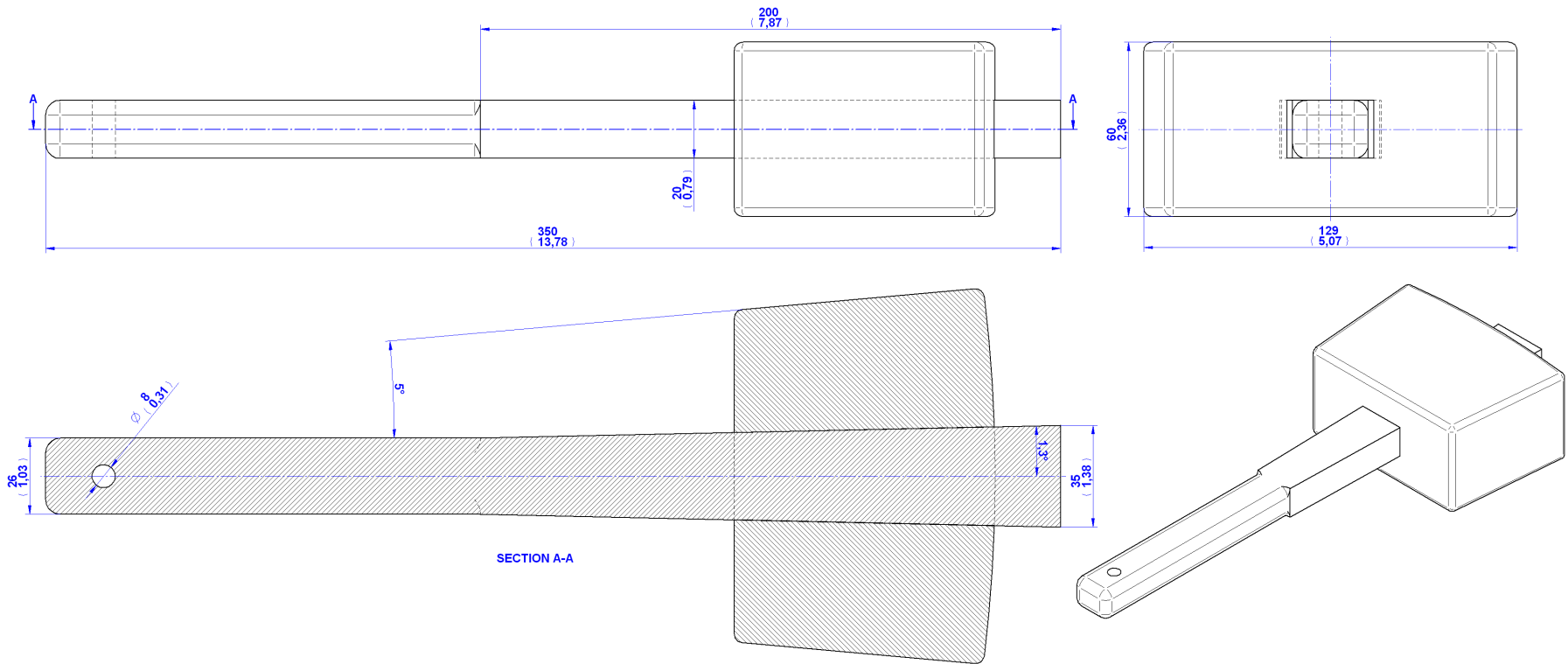


**Parts List**

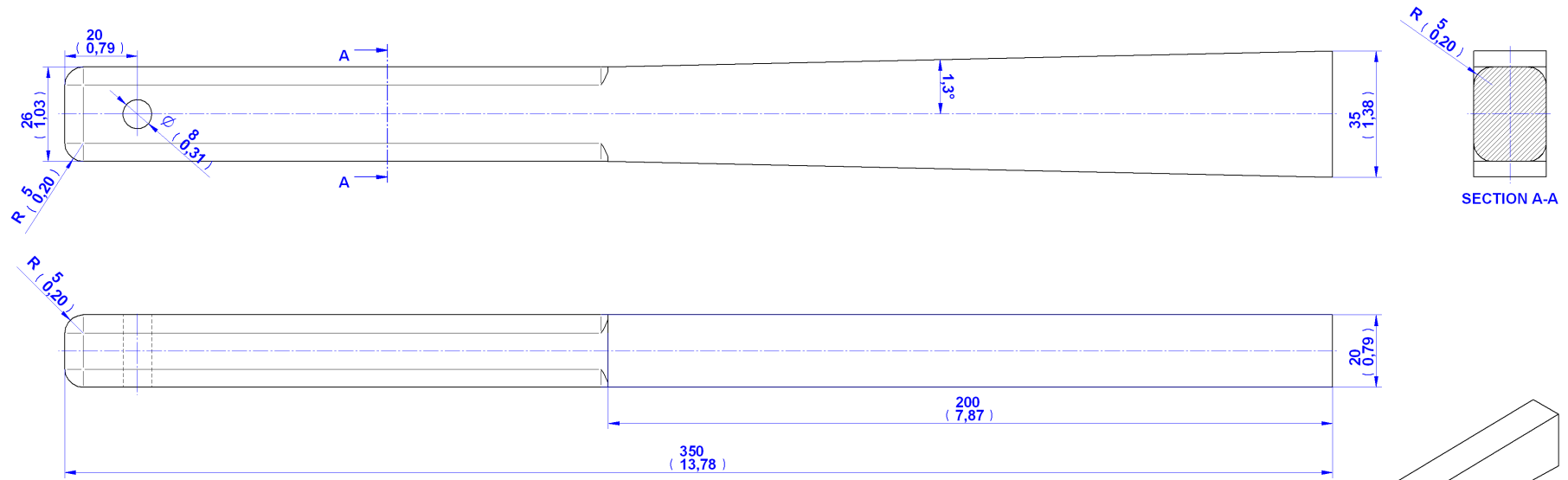


Item Number	Title	Material	Quantity
1	Handle	Wood	1
2	Head	Wood	1

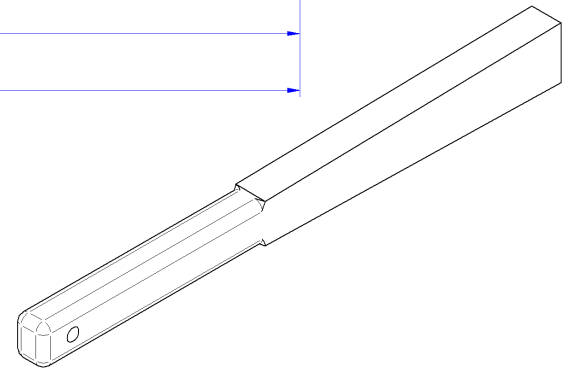
Assembly Drawing



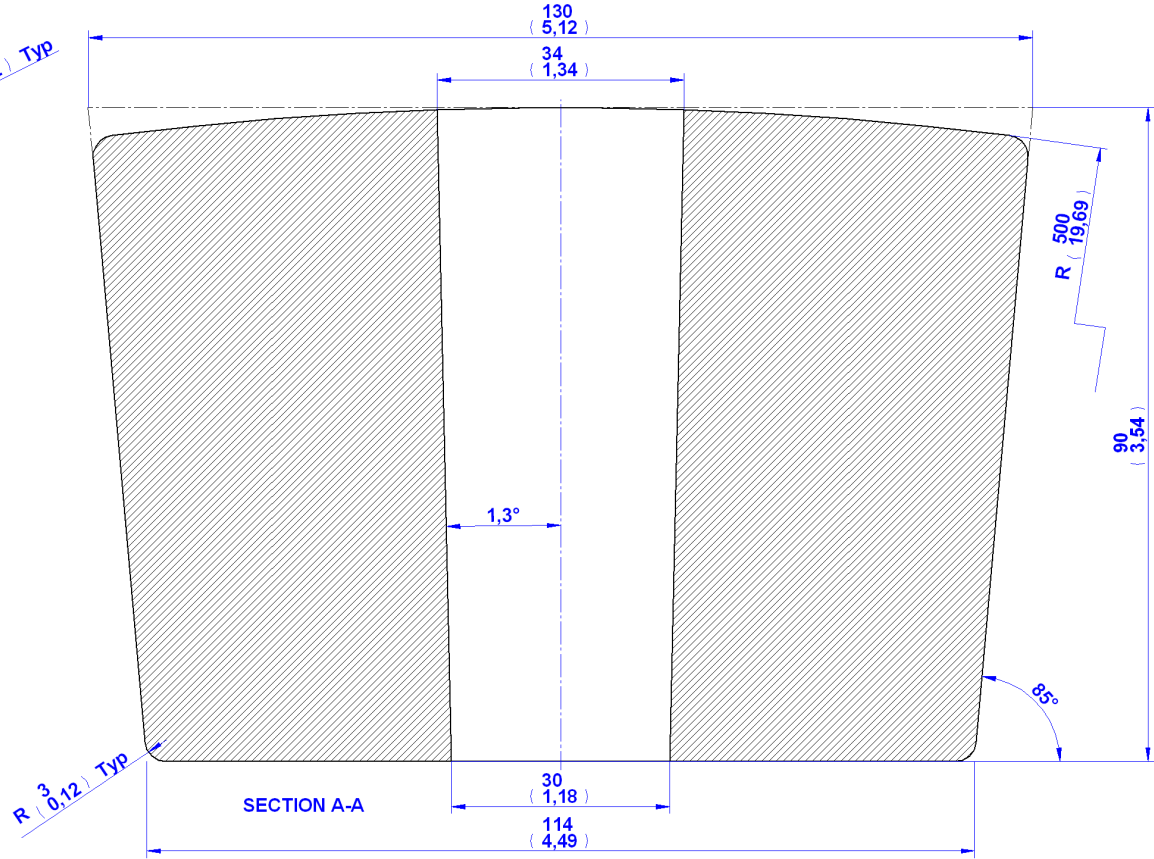
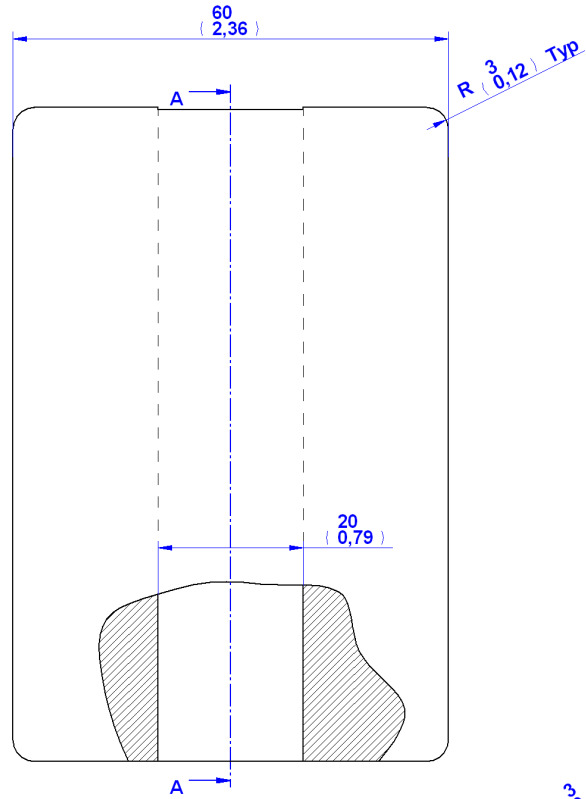
1. Handle



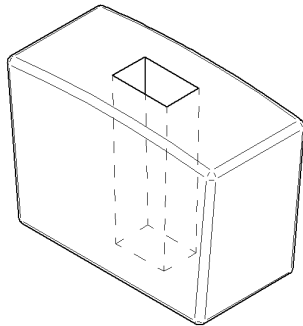
1. Handle



2. Head



2. Head



## Assemblage instructions

Push the bottom of the handle through the top of the head and tap it down on a piece of wood.

