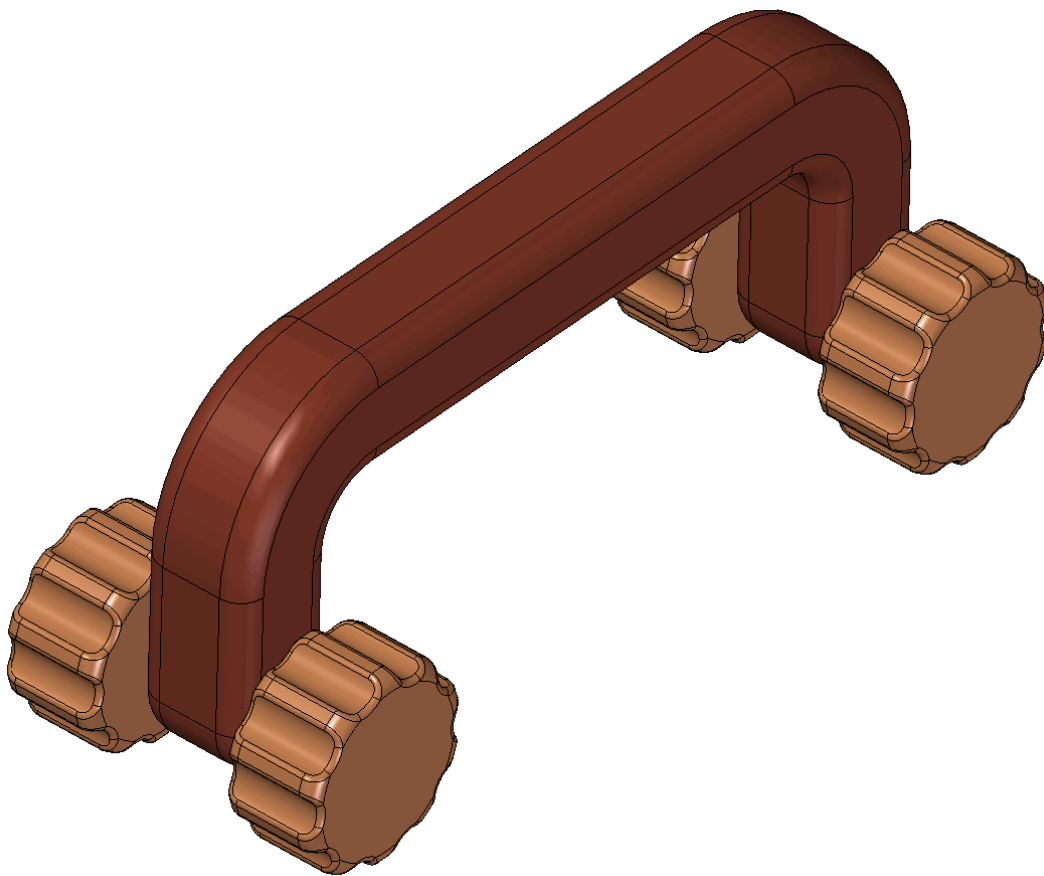


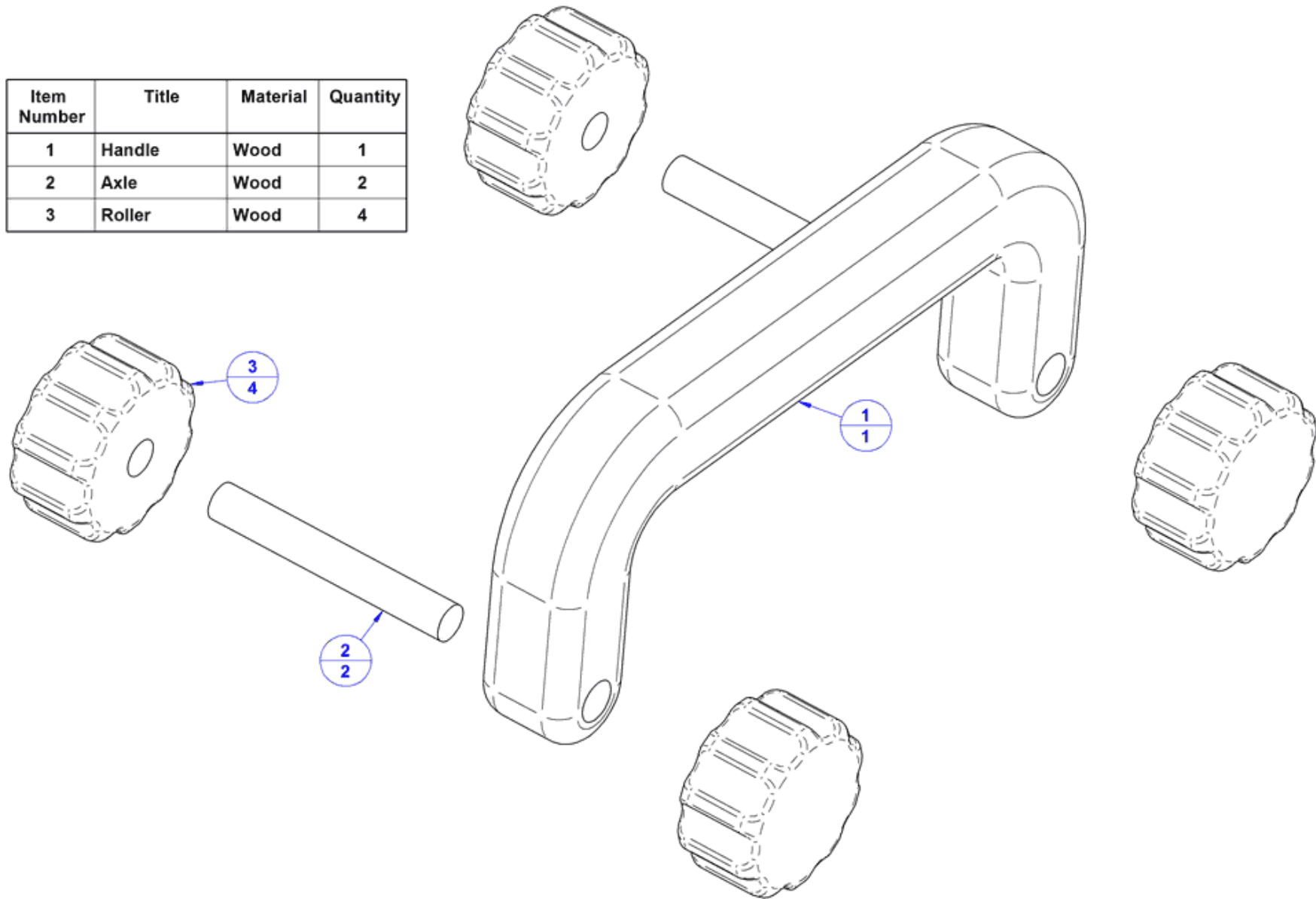
## Handle massager plan

This home wooden handle massager with rollers is designed by the ancient principle of reflexology to stimulate nerve endings.

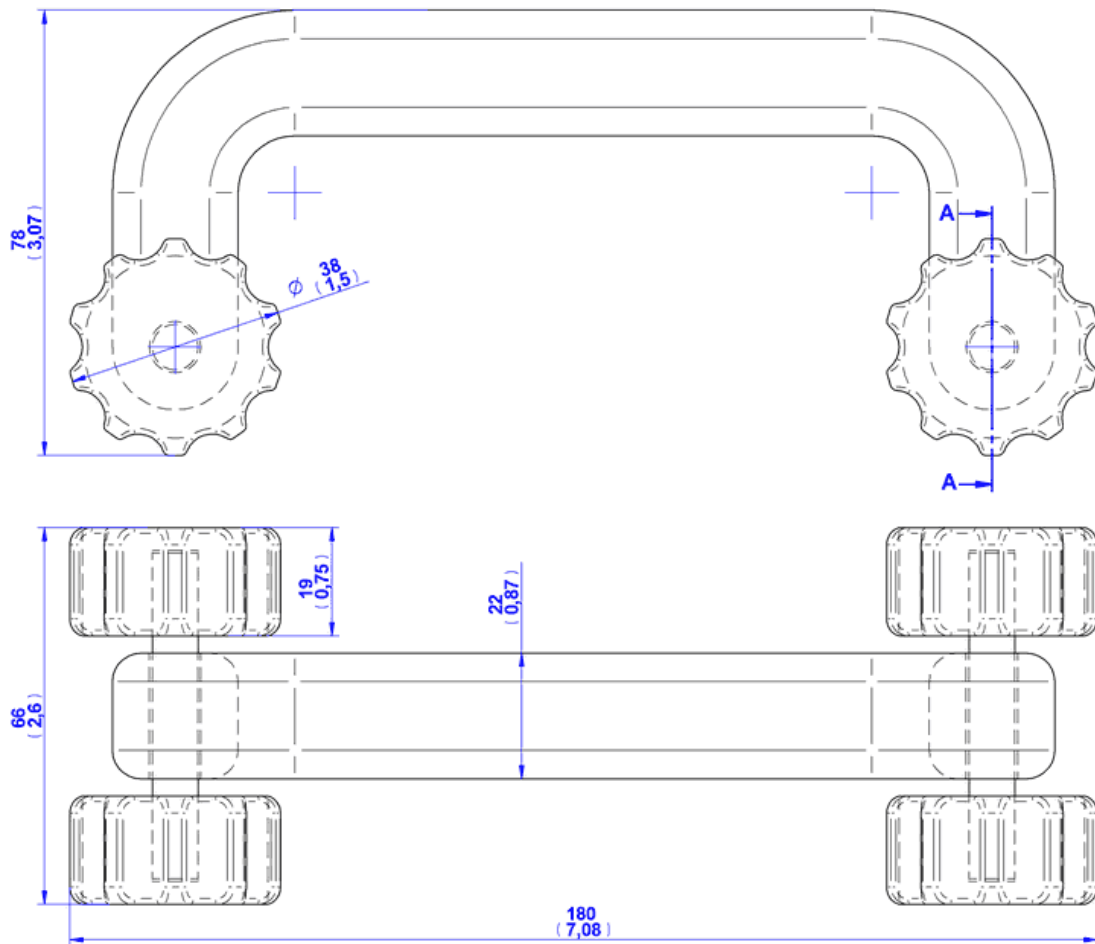


### Handle massager parts list

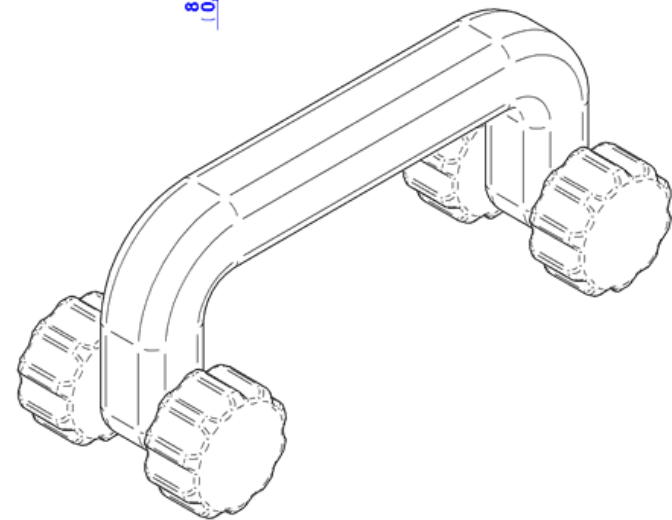
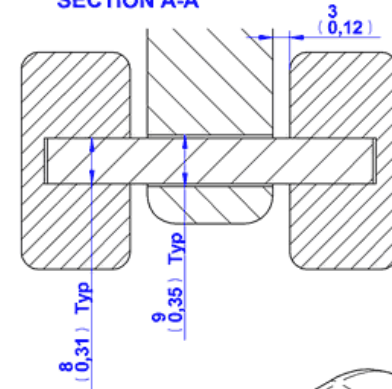
Item Number	Title	Material	Quantity
1	Handle	Wood	1
2	Axle	Wood	2
3	Roller	Wood	4

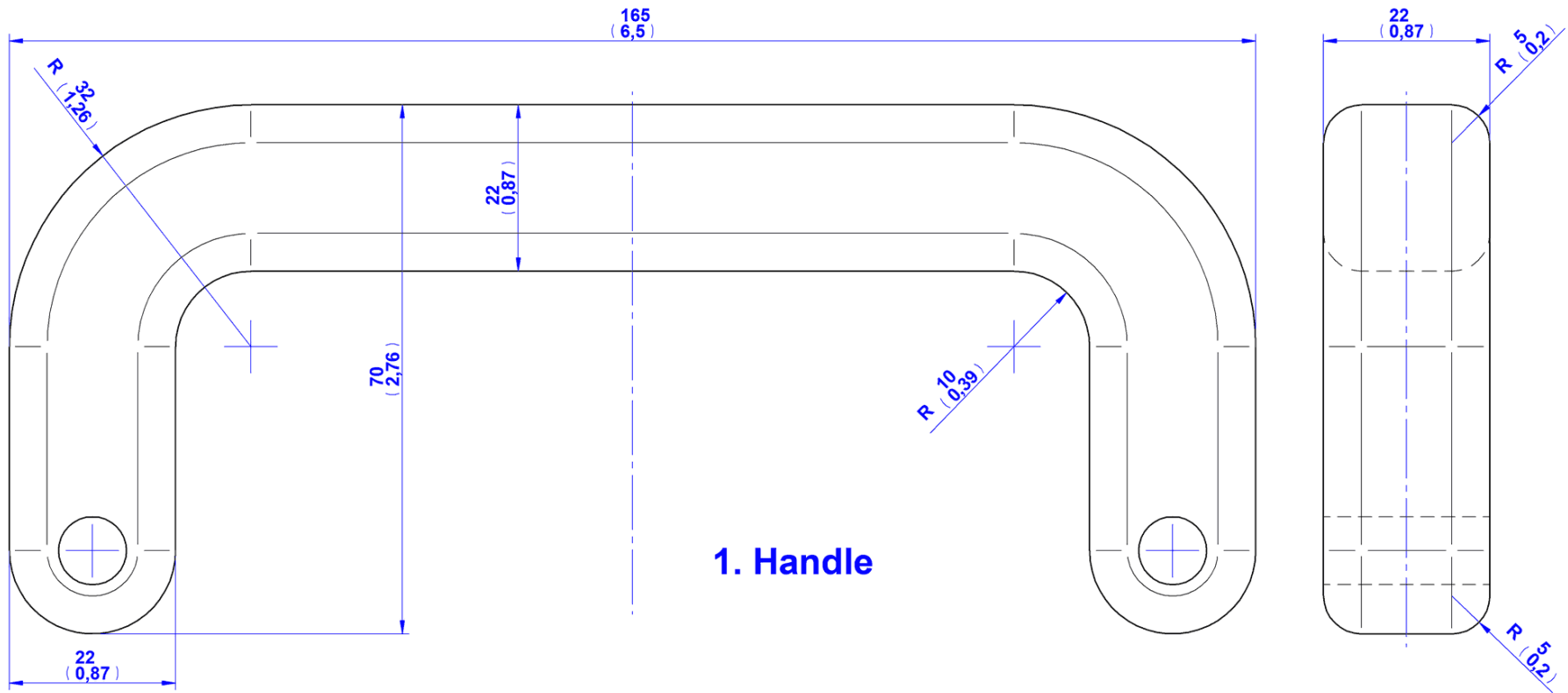


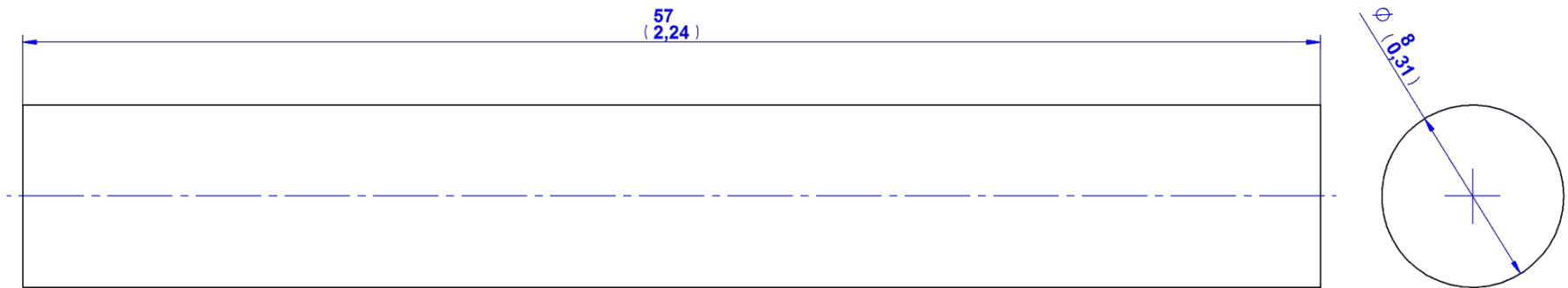
### Handle massager assembly 2d drawing



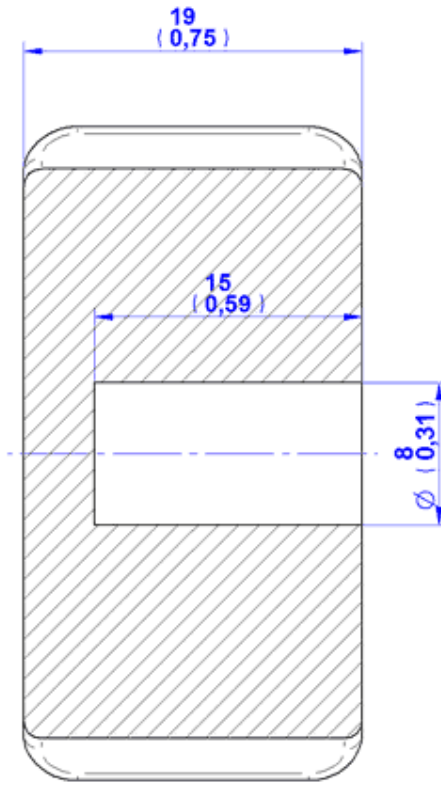
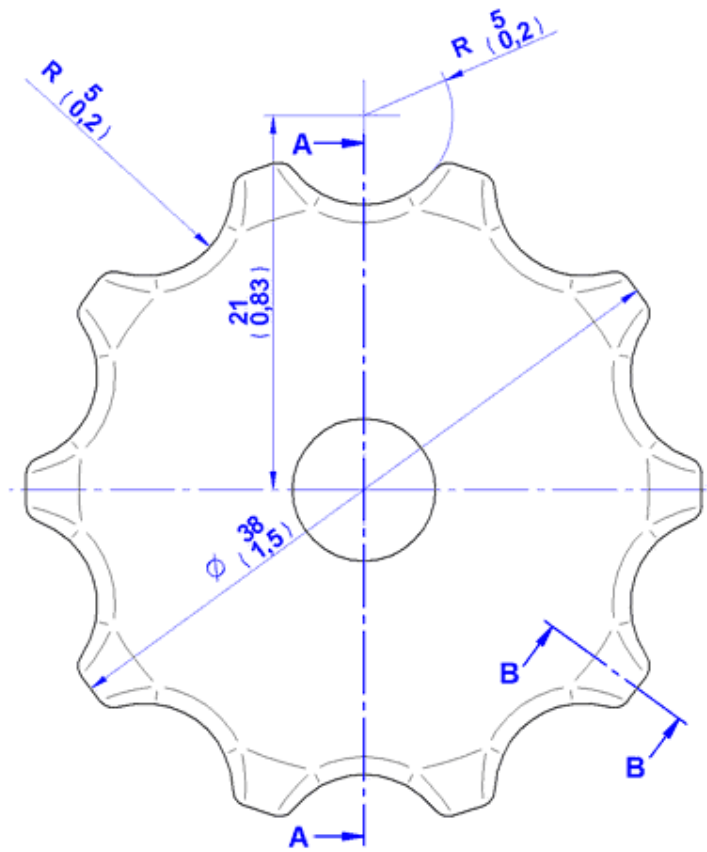
#### SECTION A-A



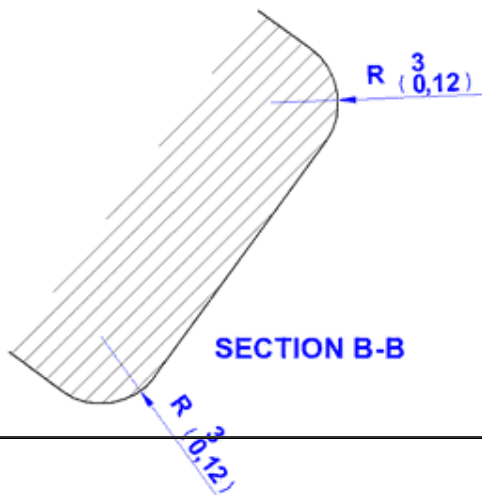




## 2. Axle

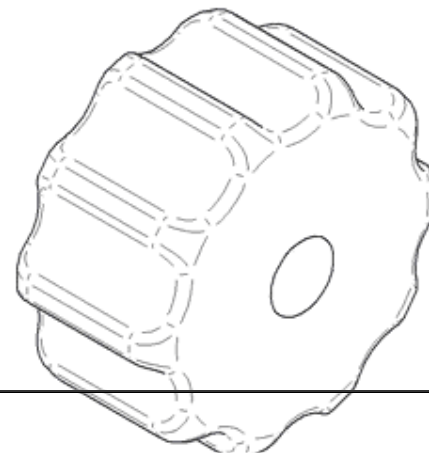


SECTION A-A



SECTION B-B

### 3. Roller



## Assemblage instructions

Pull the Axles (Parts 2) through the holes D9mm on the Handle (Part 1) and attach the Rollers (Parts 3) to all the ends of Axles (Parts 2) with glue.

