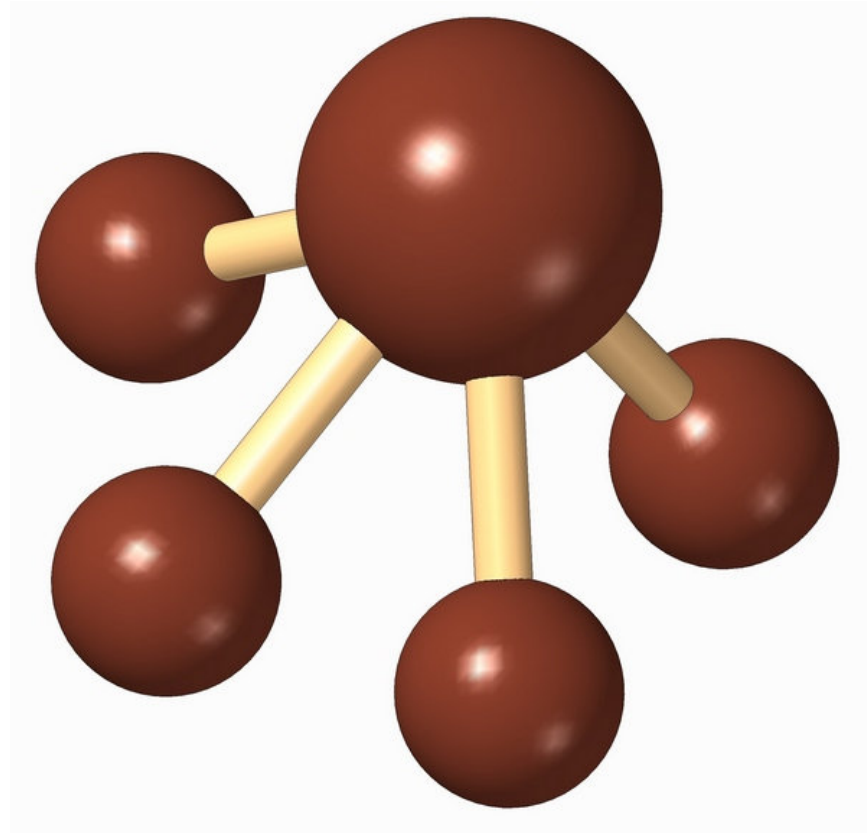


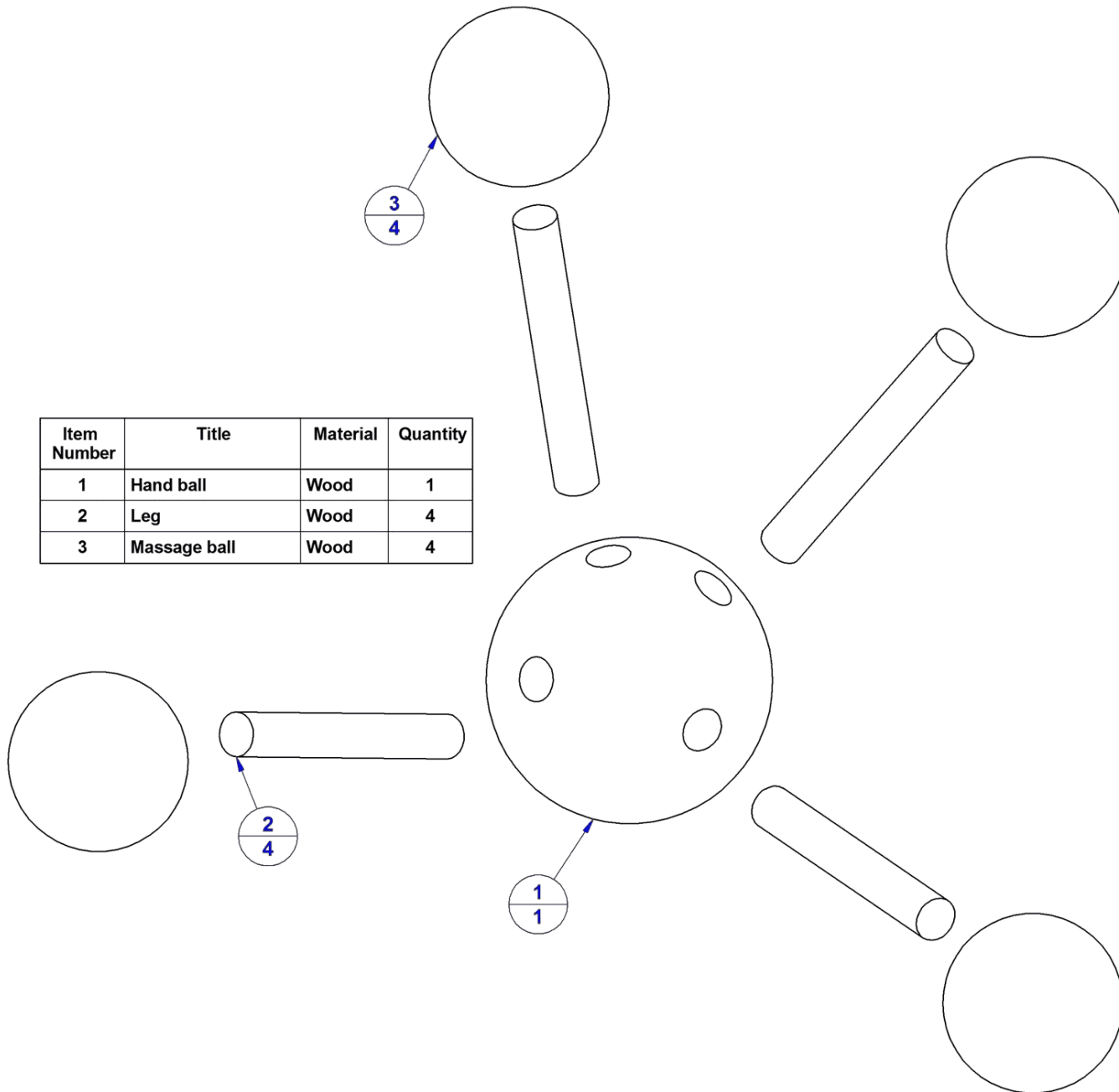
Wooden ball massager plan

This home wooden ball massager is designed by the ancient principle of reflexology to stimulate nerve endings.

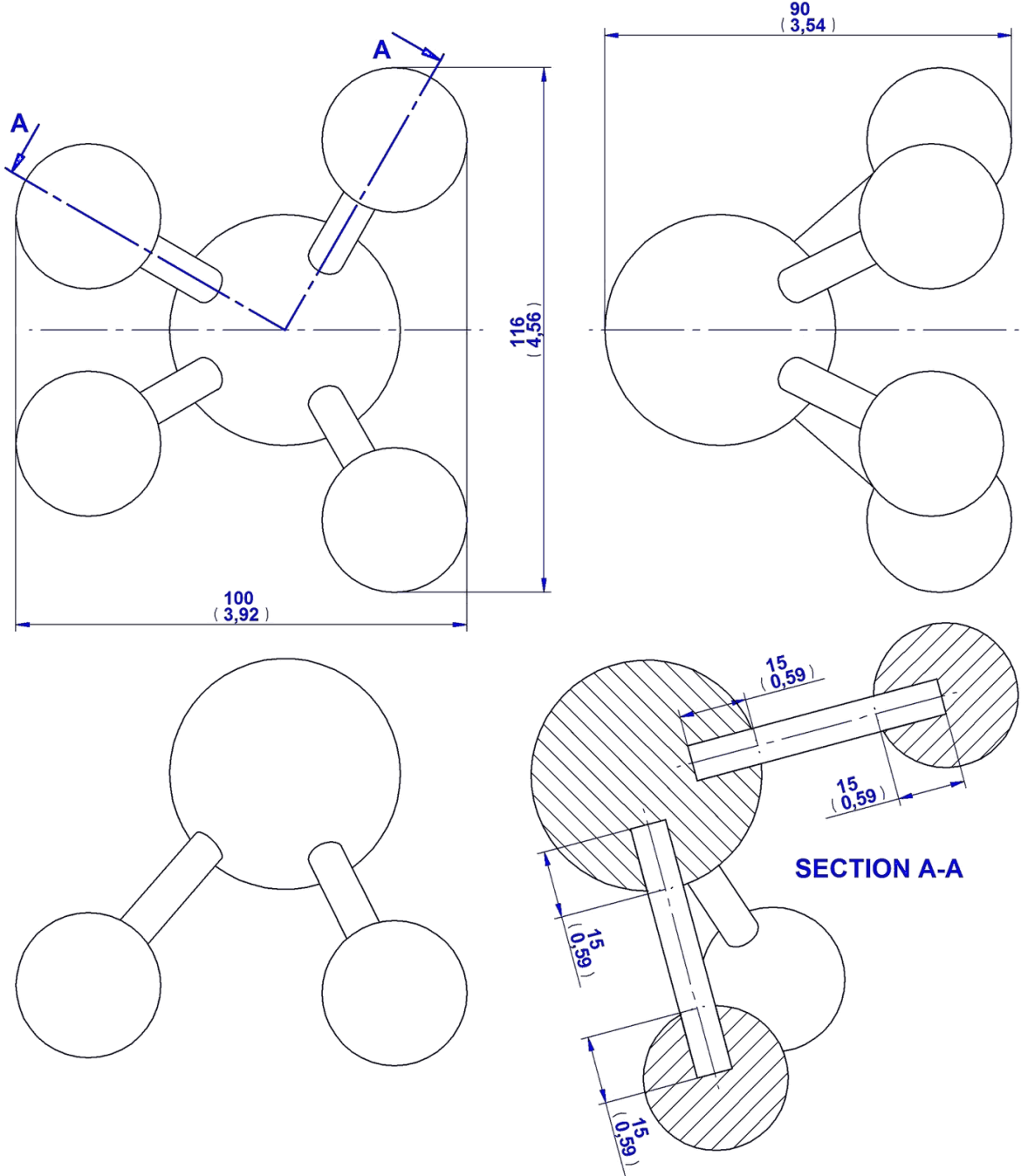


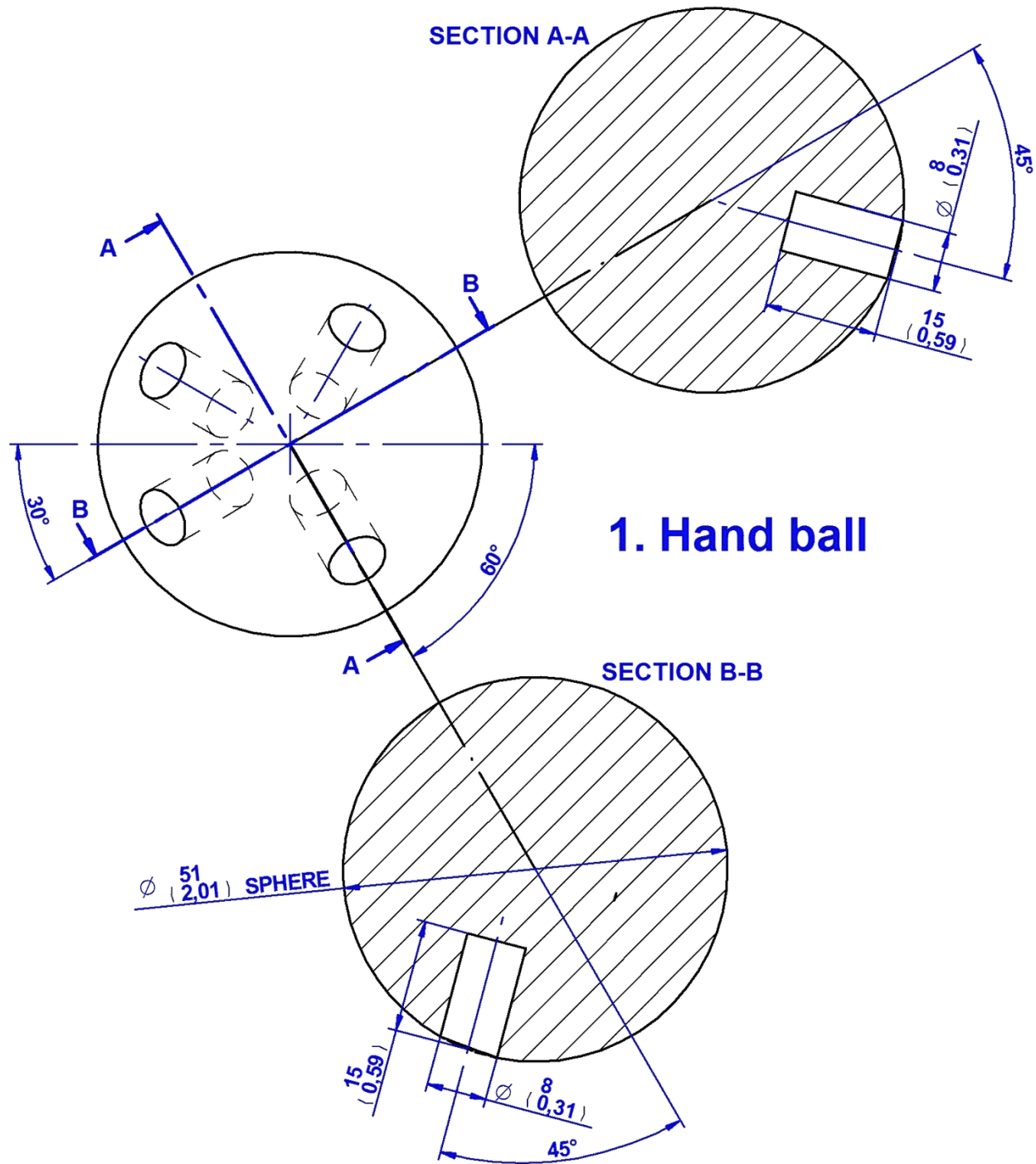
Wooden ball massager - Parts list

Item Number	Title	Material	Quantity
1	Hand ball	Wood	1
2	Leg	Wood	4
3	Massage ball	Wood	4

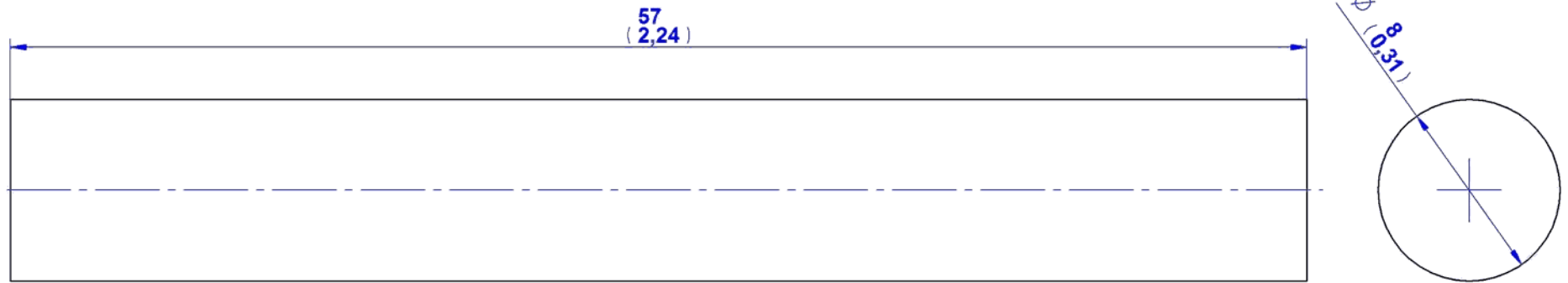


Wooden ball massager - Assembly 2D drawings



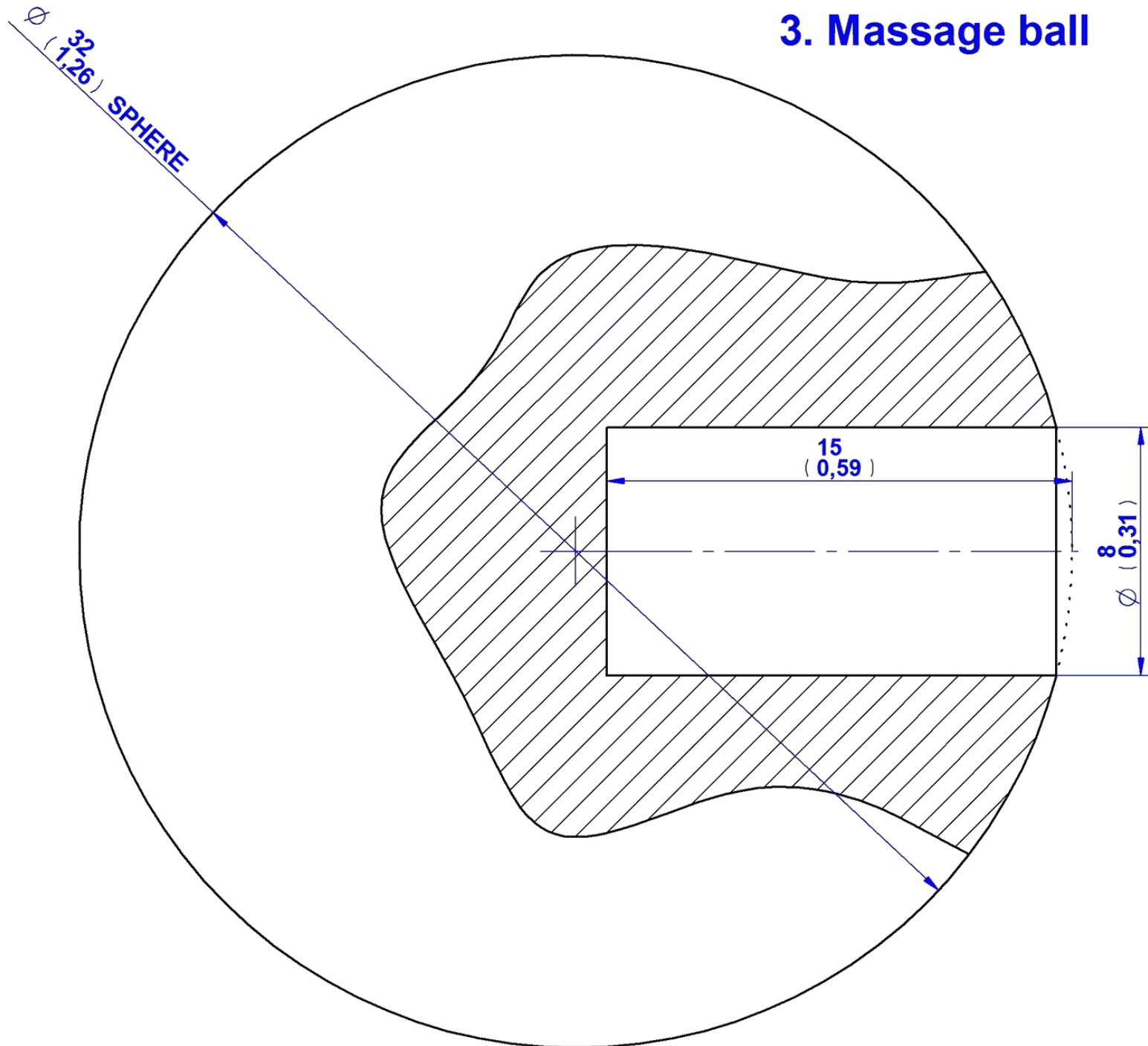


1. Hand ball



2. Leg

3. Massage ball



Assemblage instructions

1. Attach the Massage ball (Part 3) and Legs (Parts 2) with glue to the Hand ball (Part 1)

