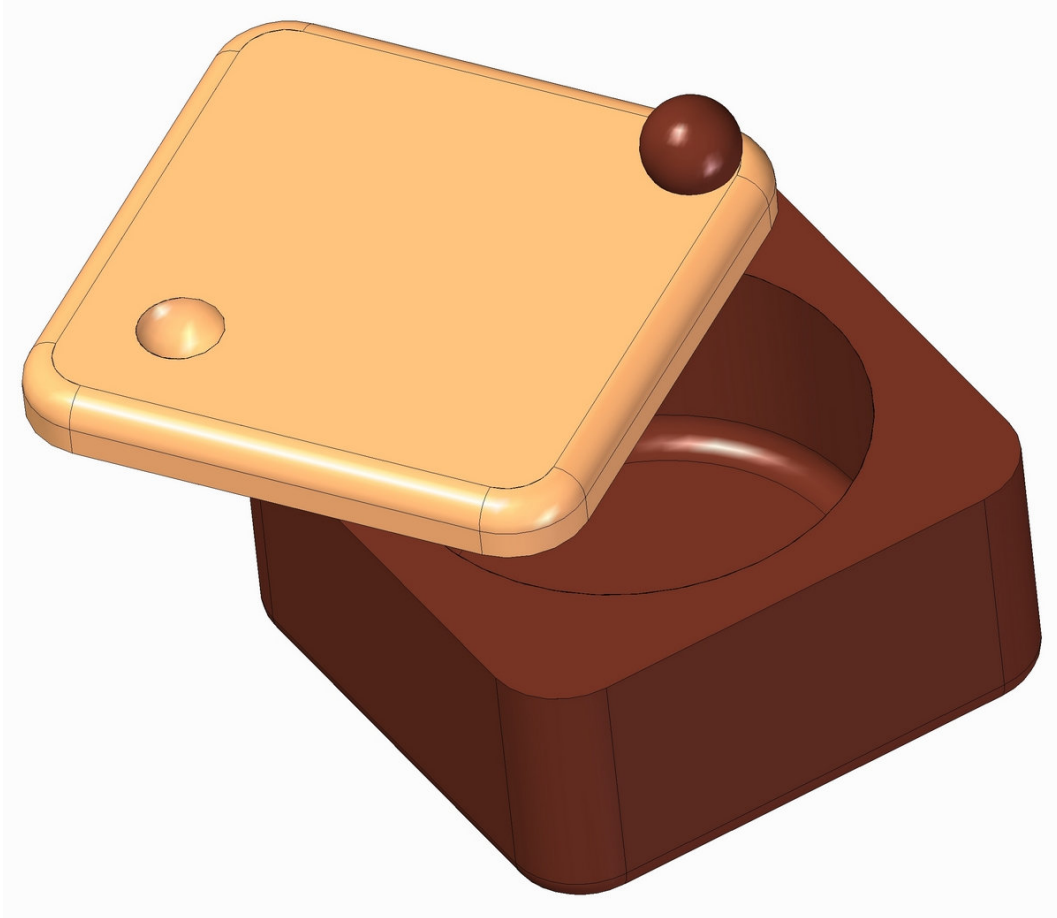


Wooden square salt box plan



Salt is the basic ingredient in each home, and one of the most common thing in our kitchen is the salt shaker and salt storage box. But if you want to combine these two kitchen utensils and get an original and nature friendly kitchen tool you should make this beautiful wooden square salt box.

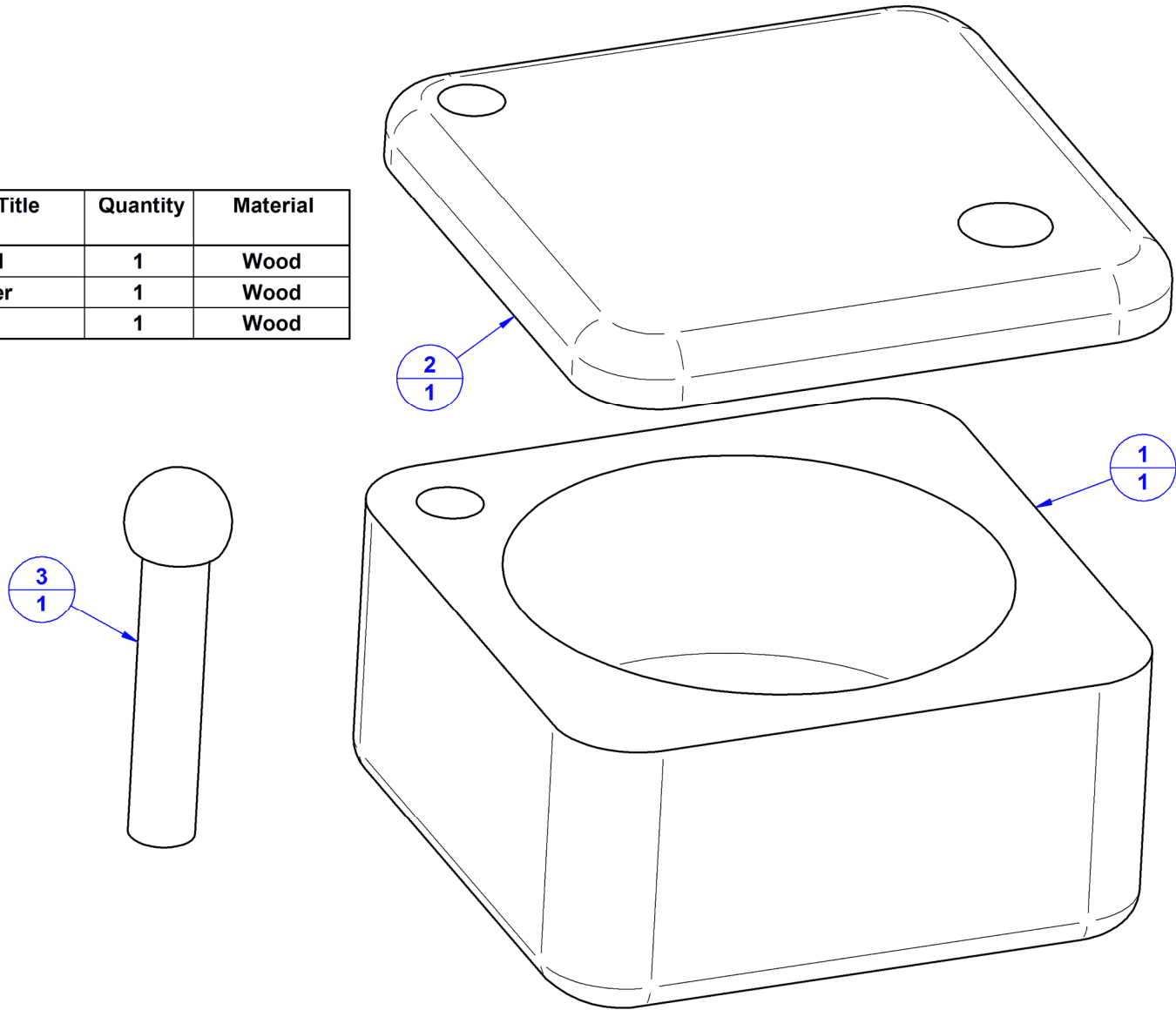
This salt box is easy to make and easy to use. Its wide opening allows you to grab the salt with big spoon, or simply by hand. Of course, you can make these boxes for different kinds of spices, or by changing its dimensions, you can easily adjust this box for a different purpose.

Wash with warm water by hands.

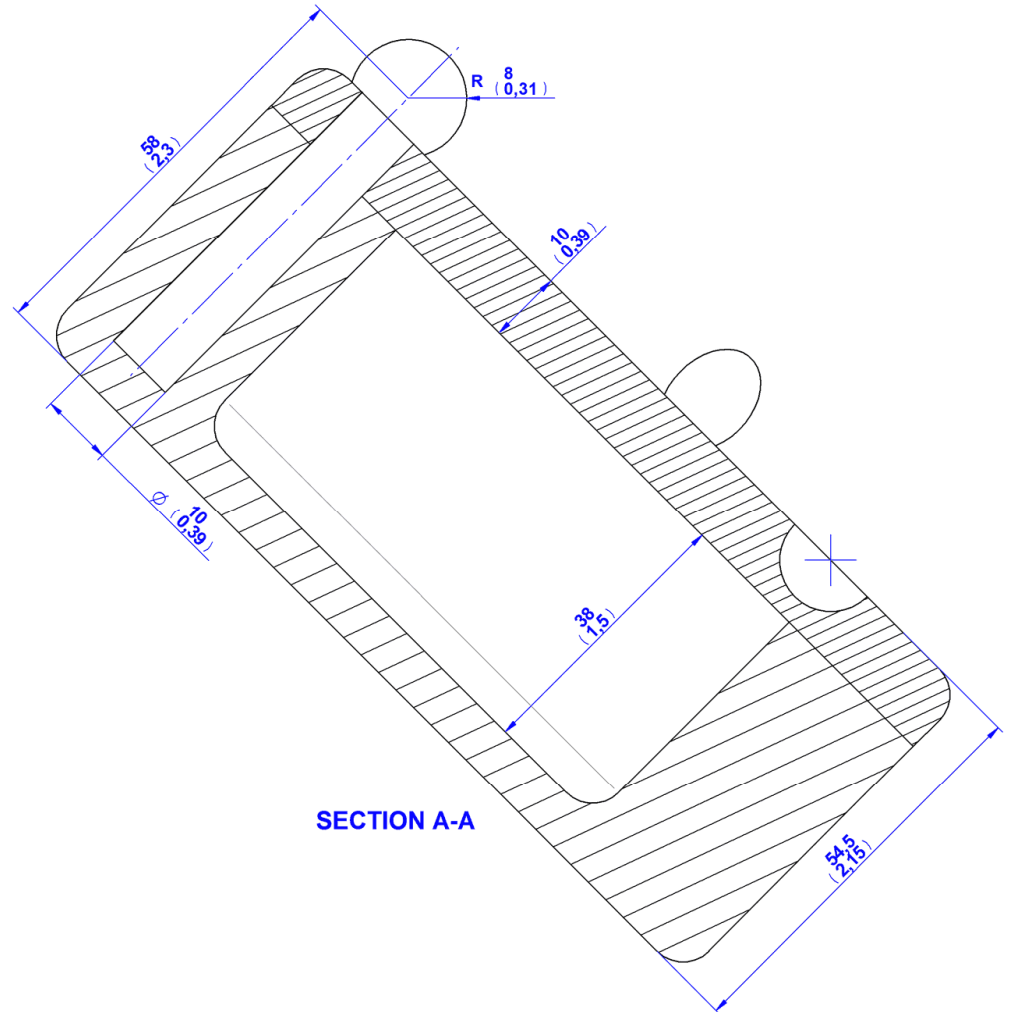
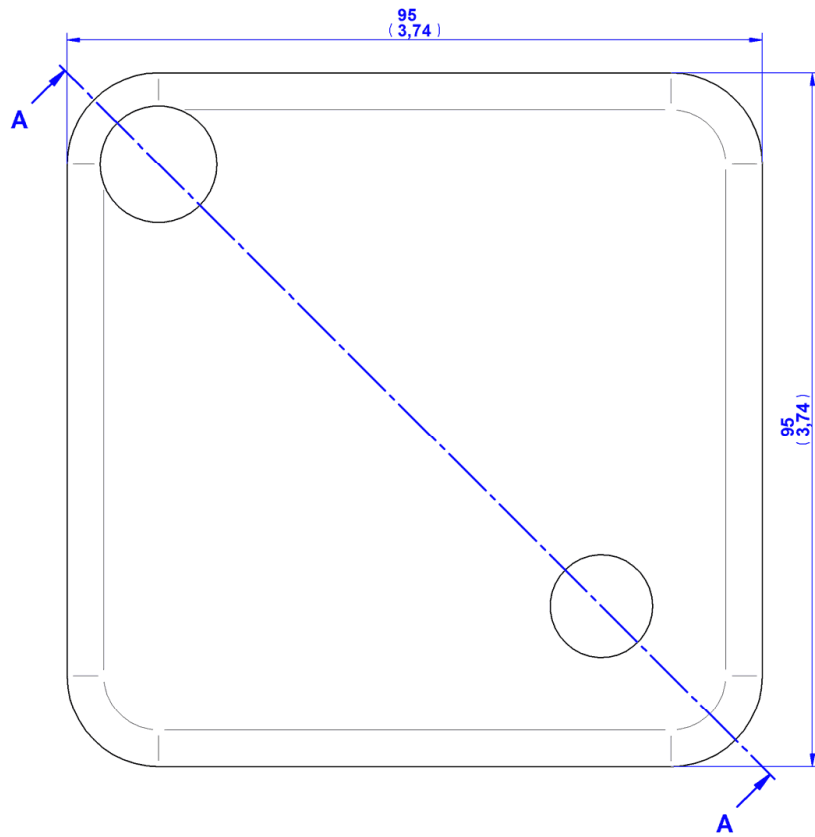
The measurements are given in millimeters, while the measurements given in inches are in brackets (1 inch = 25, 4 mm).

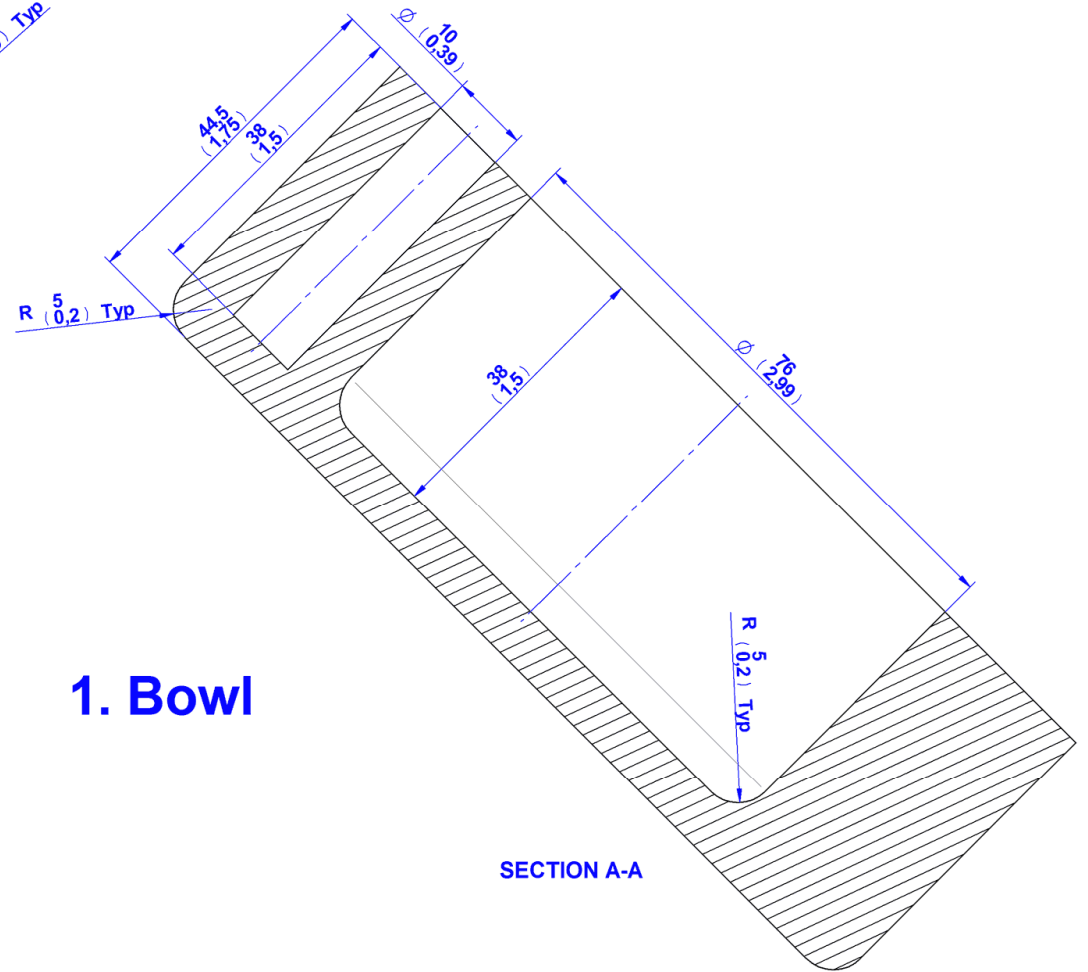
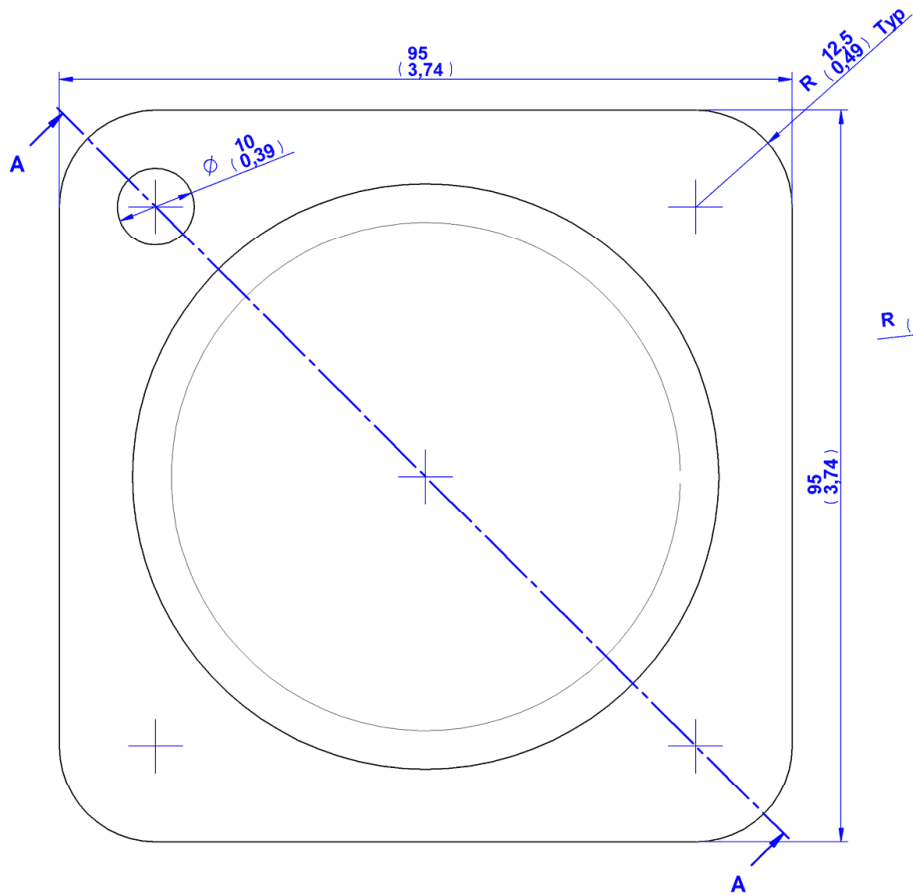
Wooden square salt box plan – Parts list

Item Number	Title	Quantity	Material
1	Bowl	1	Wood
2	Cover	1	Wood
3	Axle	1	Wood



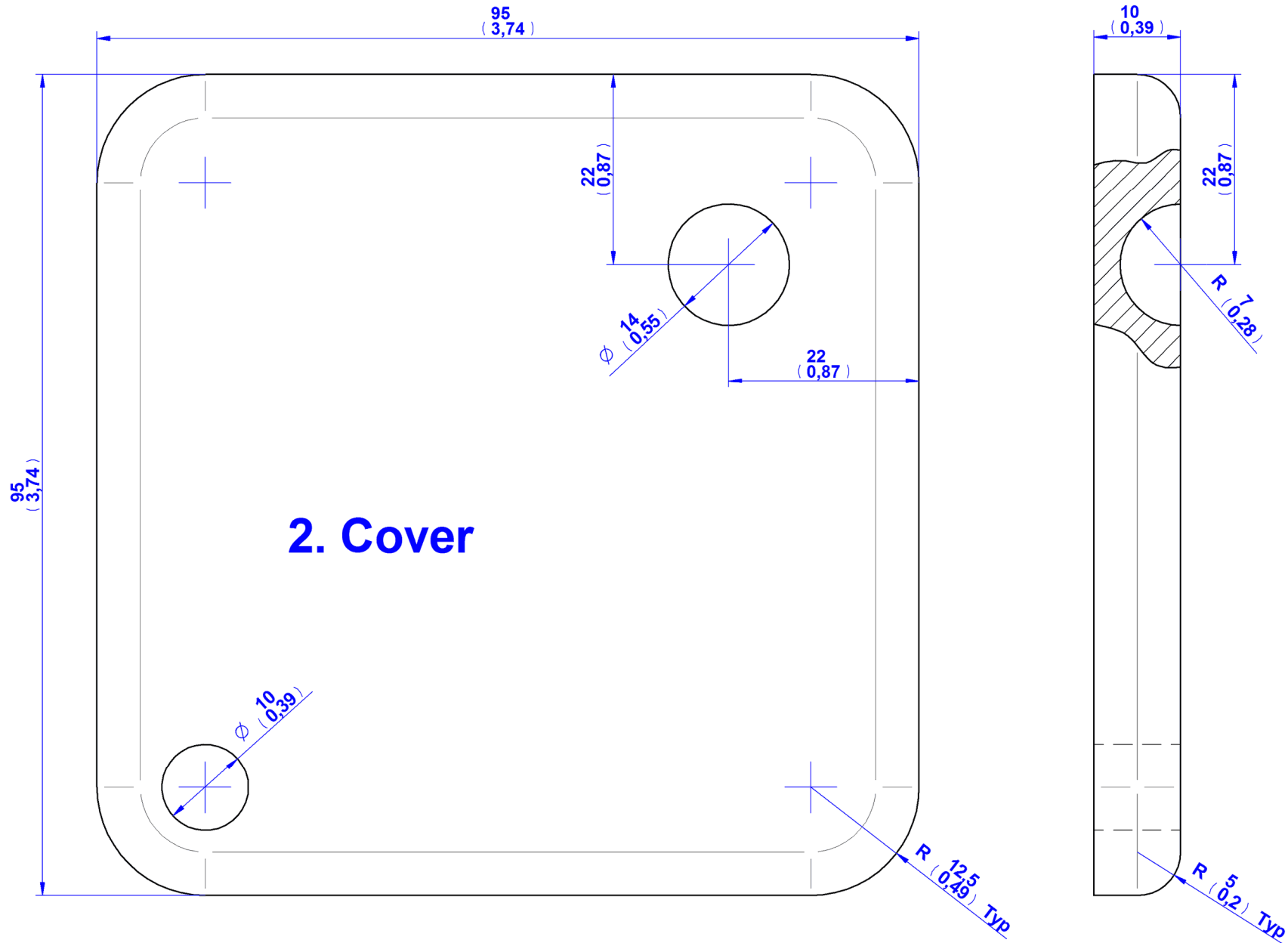
Wooden square salt box assembly - 2D drawing

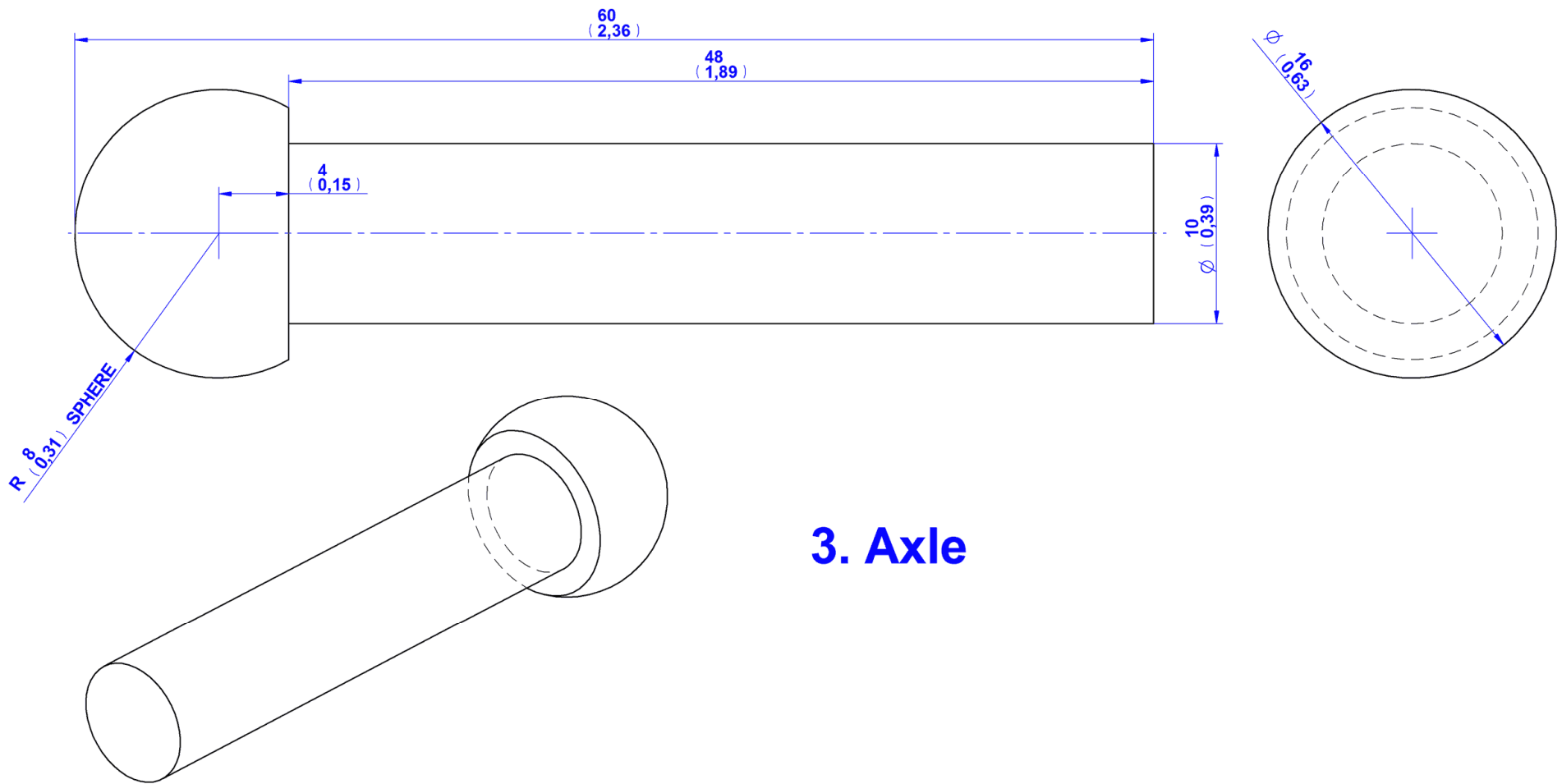




1. Bowl

SECTION A-A





Assemblage instructions

Attach the Cover (part 2) and Axle (part 3) to the Bowl (part 1) using glue.

