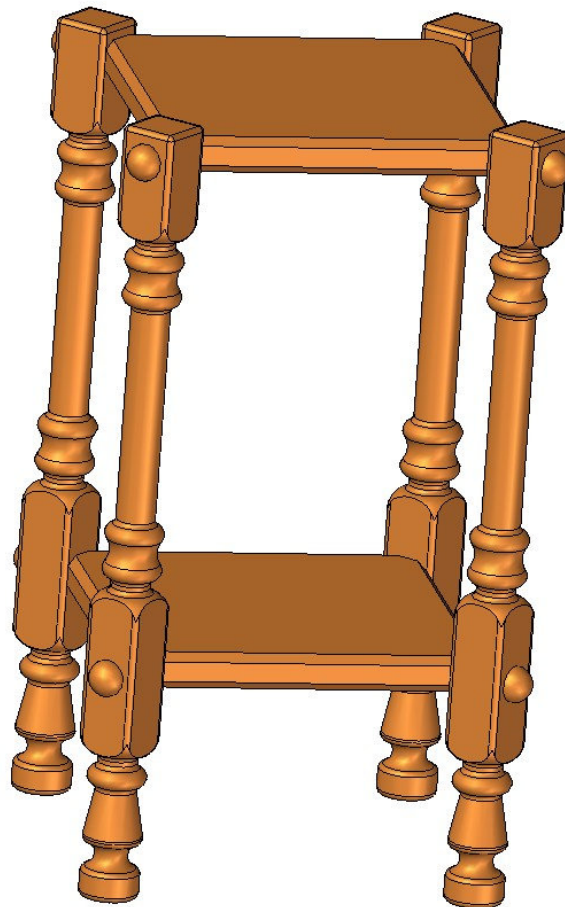


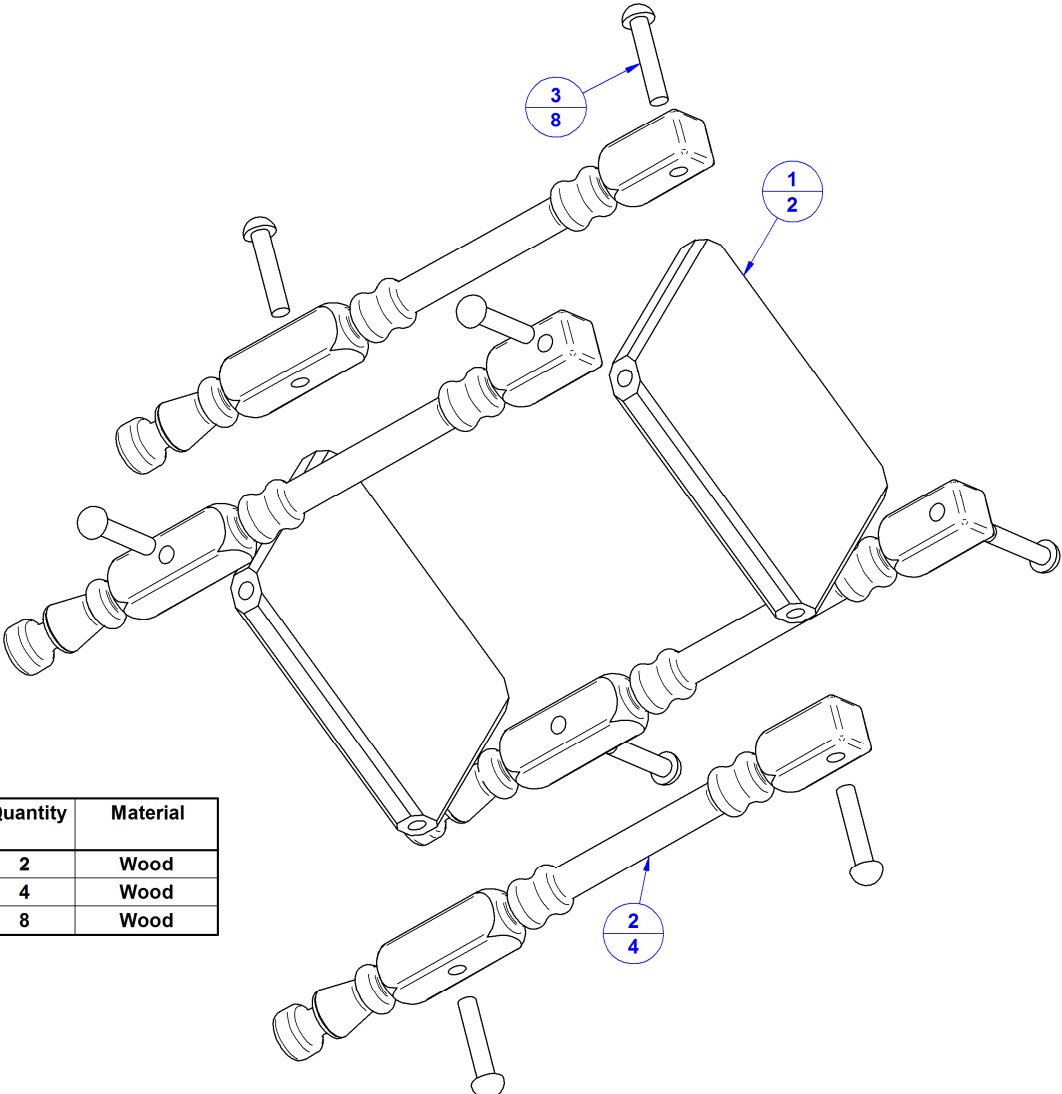
## Wooden taboret plan

Taboret (also tabouret) is one word describing two different pieces of furniture. One resembles more a cabinet and other stool. Our wooden stool taboret plan offers you a beautiful turned and decorative as well as functional piece of furniture in your home. Taborets have that classic, traditional design feel of an old Europe, and it can fit perfectly with almost any decor. Their small size and light weight makes them easily movable, so you can have them one period of time in the kitchen, then the living room, or even on the balcony as a stand for cookbooks, flower pots, vase or some other ornaments.



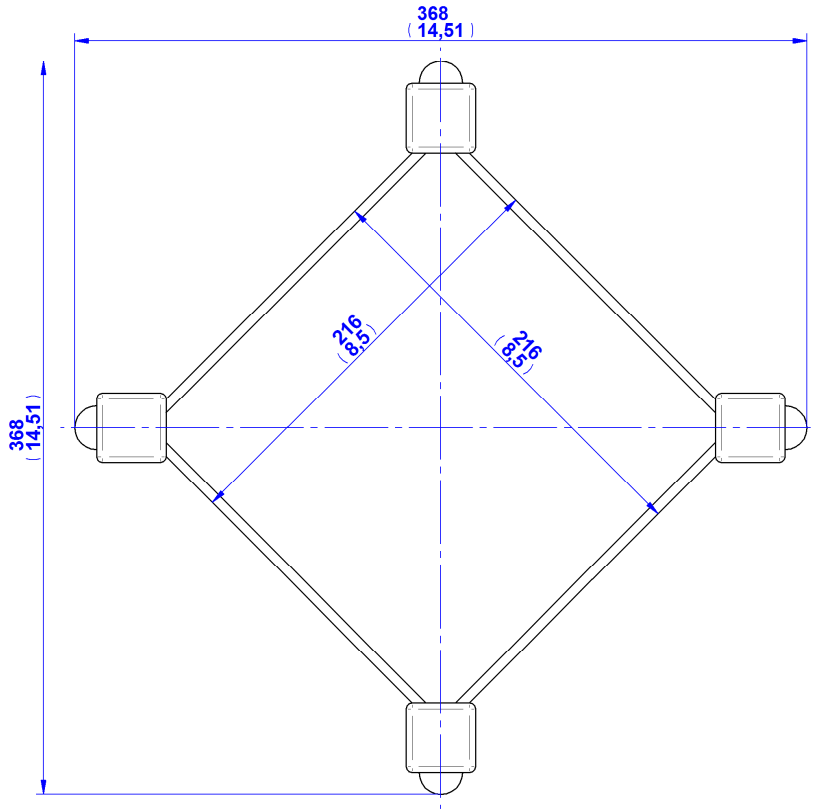
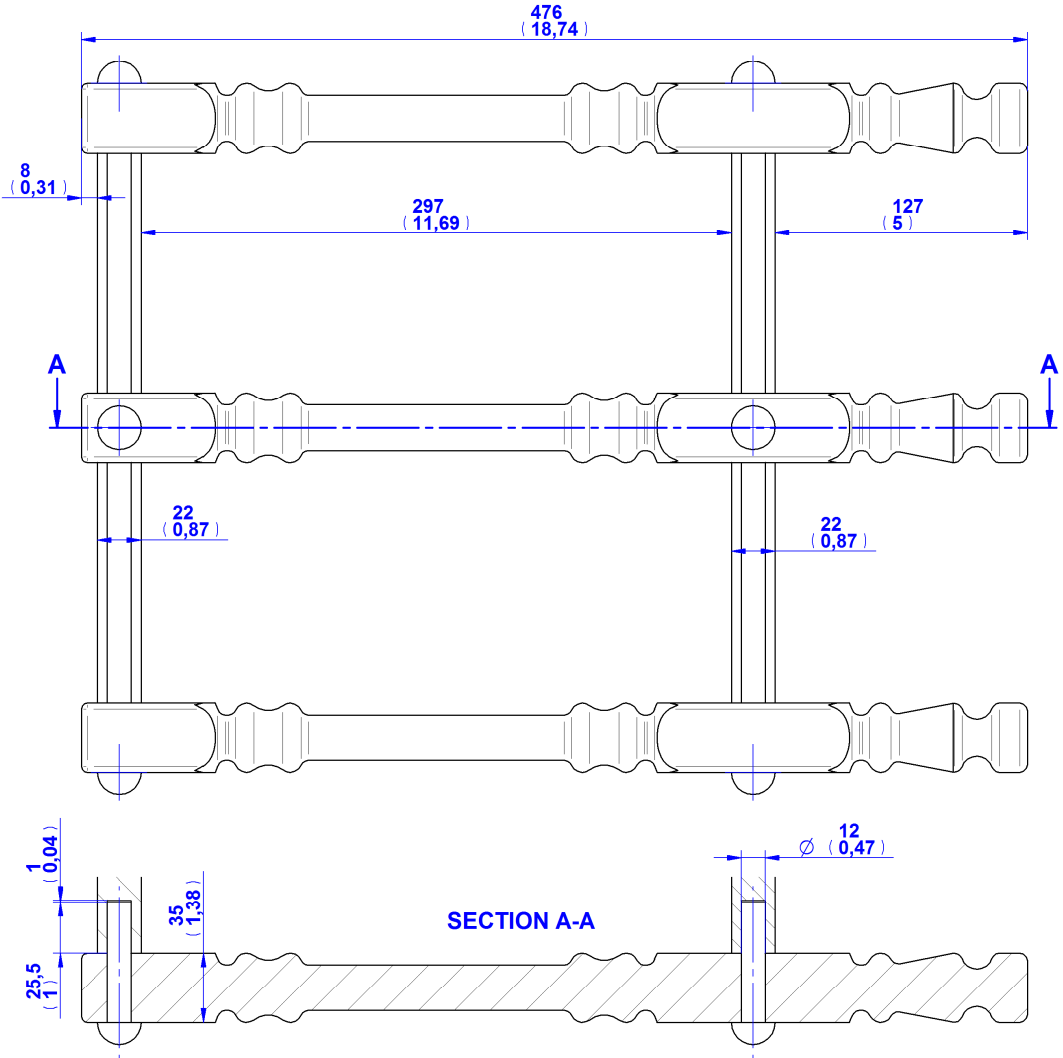
The measurements are given in millimeters, while the measurements given in inches are in brackets (1 inch = 25, 4 mm).

Taboret plan – Parts list

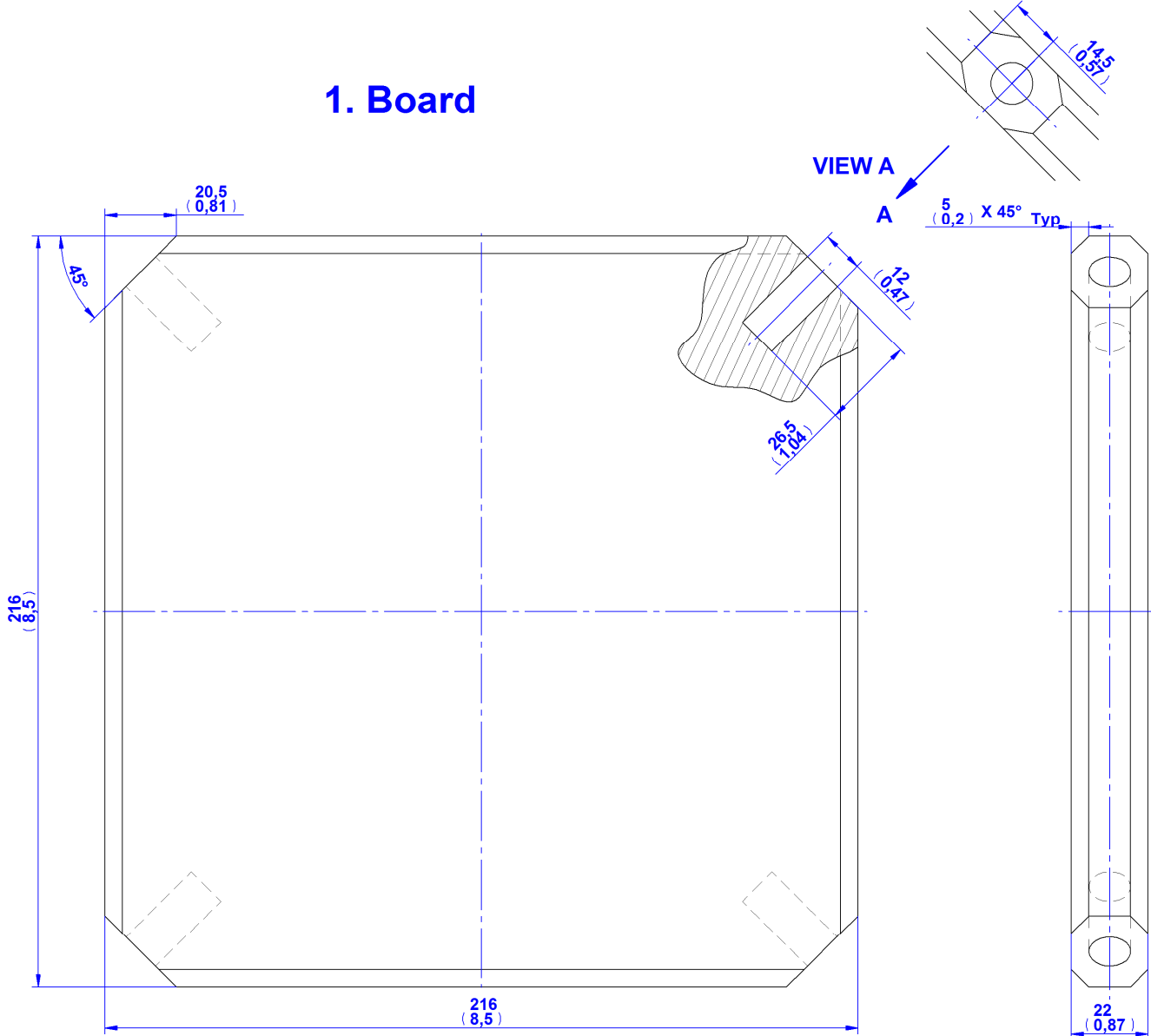


Item Number	Title	Quantity	Material
1	Board	2	Wood
2	Leg	4	Wood
3	Pin	8	Wood

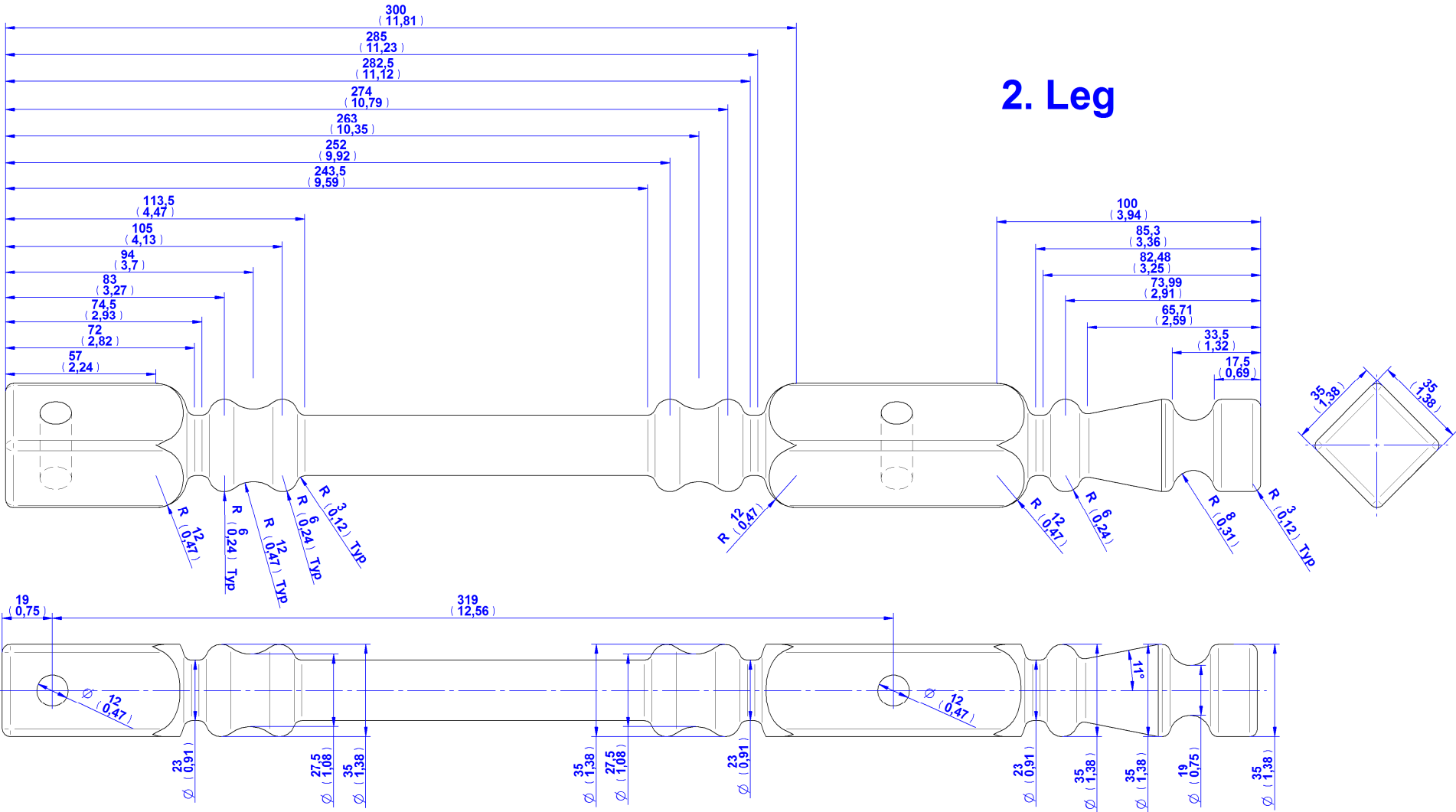
Taboret plan- Assembly 2D drawing

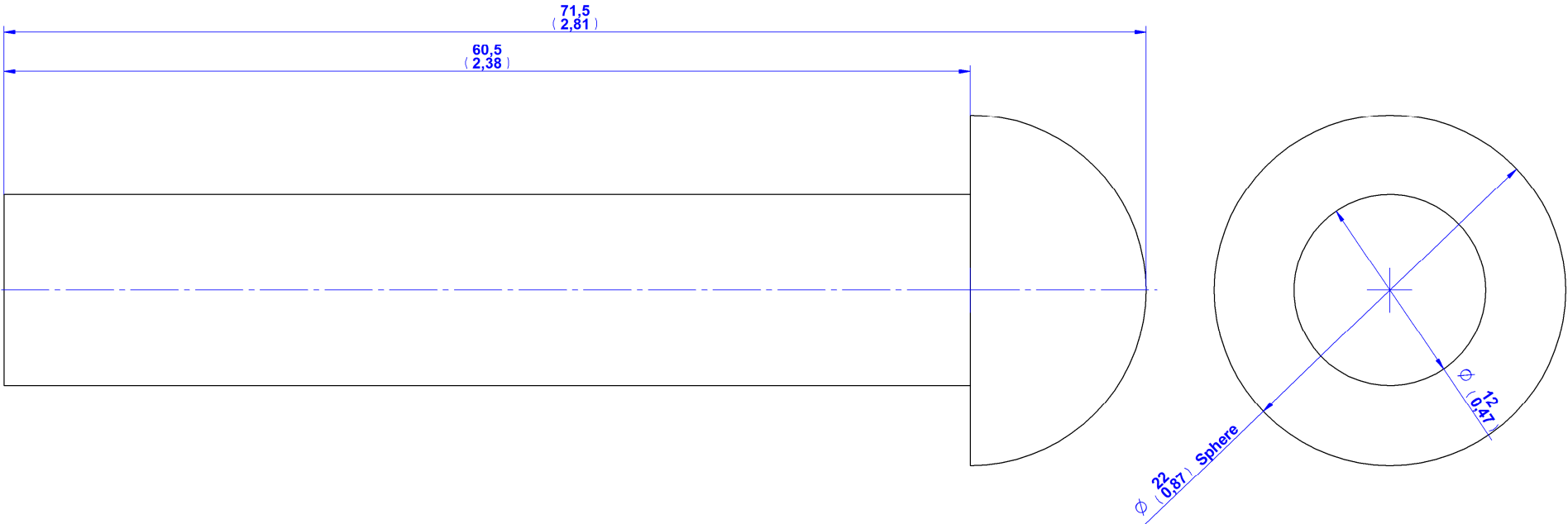


# 1. Board



# 2. Leg





### 3. Pin

## Assemblage instructions

Put small amount of glue on each Pin (part 3), and then place them into holes on the Boards (part 1) and Legs (part 2).

