

## Wooden towel stand plan

This rack is intended to be used in the bathroom, or kitchen, where towels may be hung to dry. It is so easily moved about that it may be stood before the radiator or stove to take advantage of the heat in drying out towels. Another use of this rack is that of holding newly ironed linens, such as towels, pillow slips, sheets, etc., until the ironer is ready to put the things away.

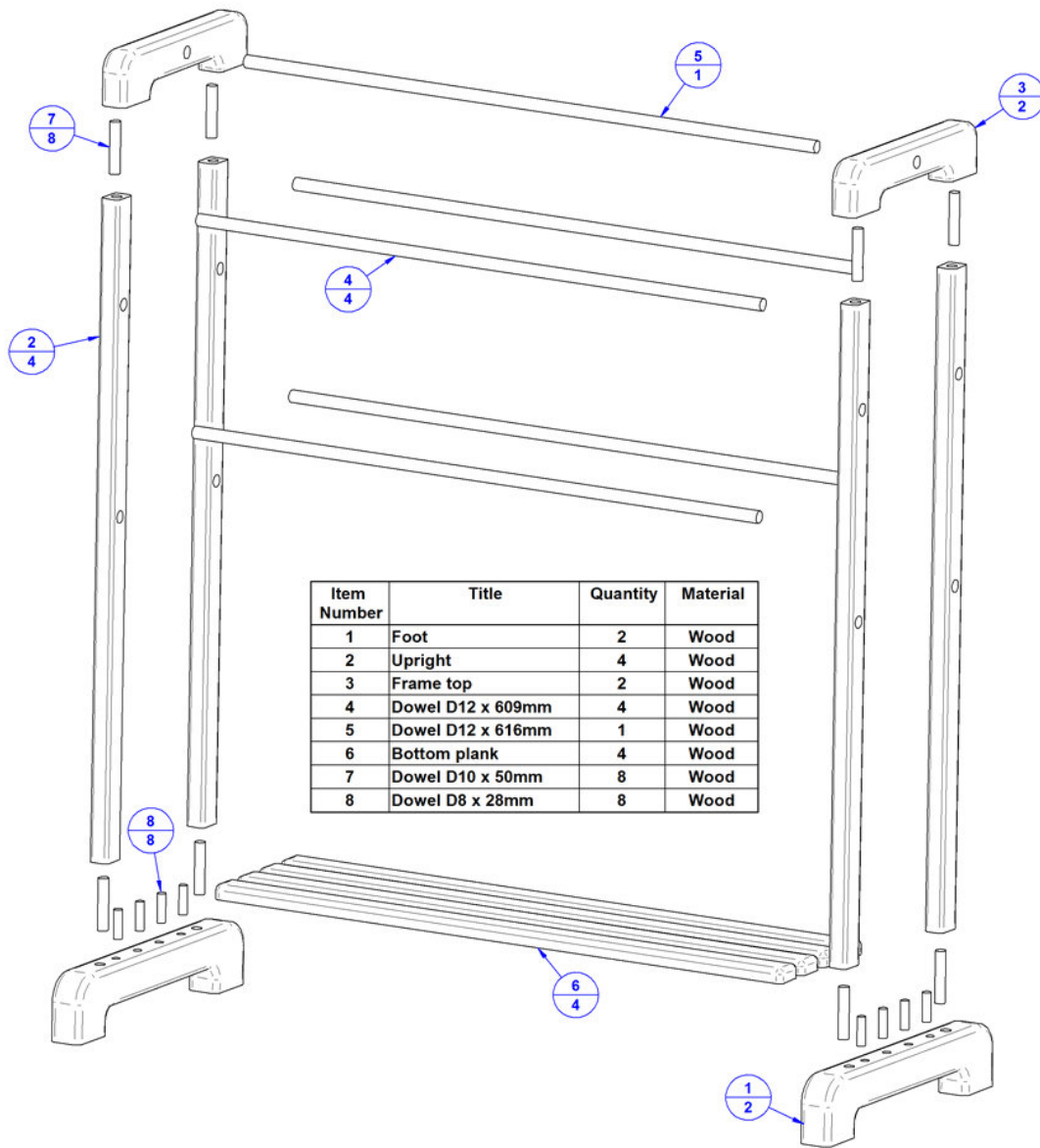
Clean and smooth all surfaces before assembling, as this is easier to do at this time. Two coats of white paint and one coat of white or colored enamel will make the most serviceable finish for this article.

*Source: Elementary woodworking projects - Harold R. Wise (The manual arts press - Peoria, Illinois - 1922)*



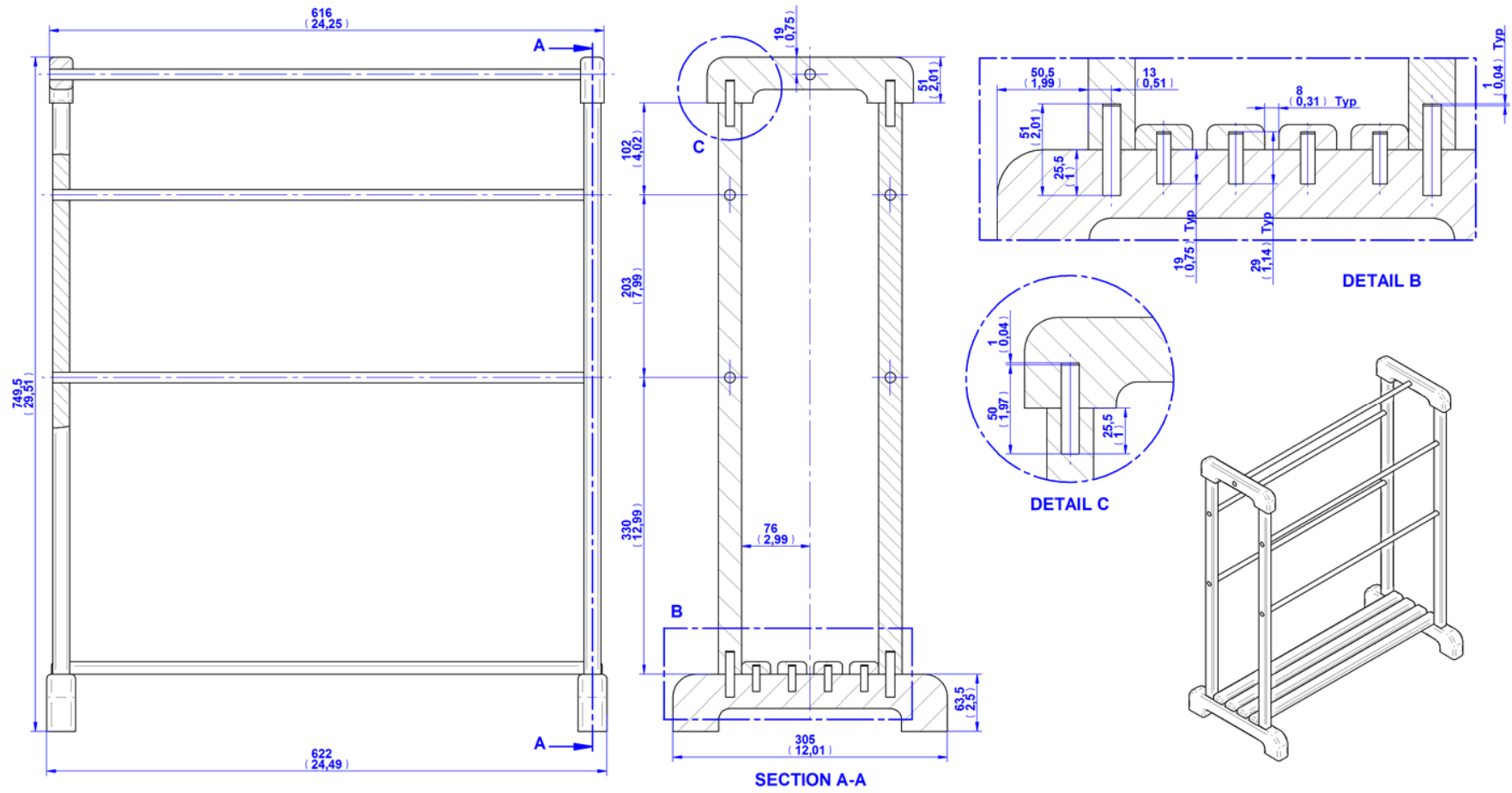
The measurements are given in millimeters, while the measurements given in inches are in brackets (1 inch = 25, 4 mm).

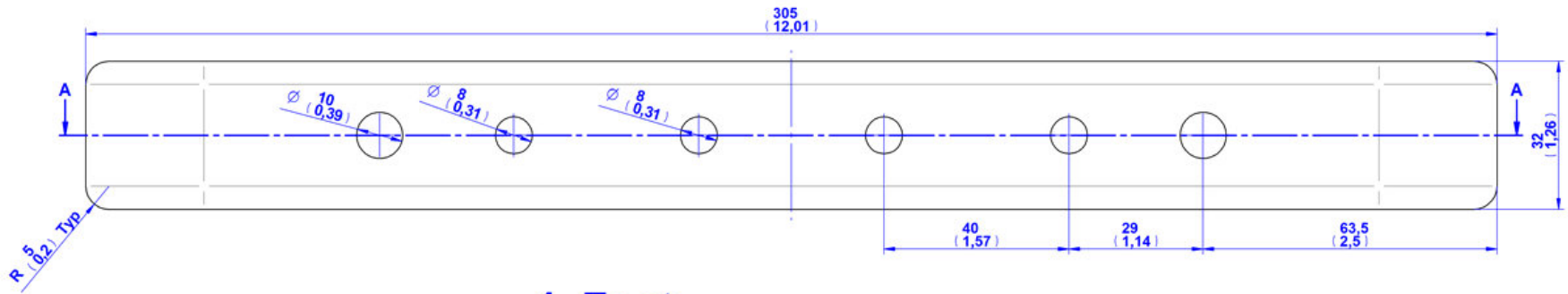
**Towel stand plan - Parts list**



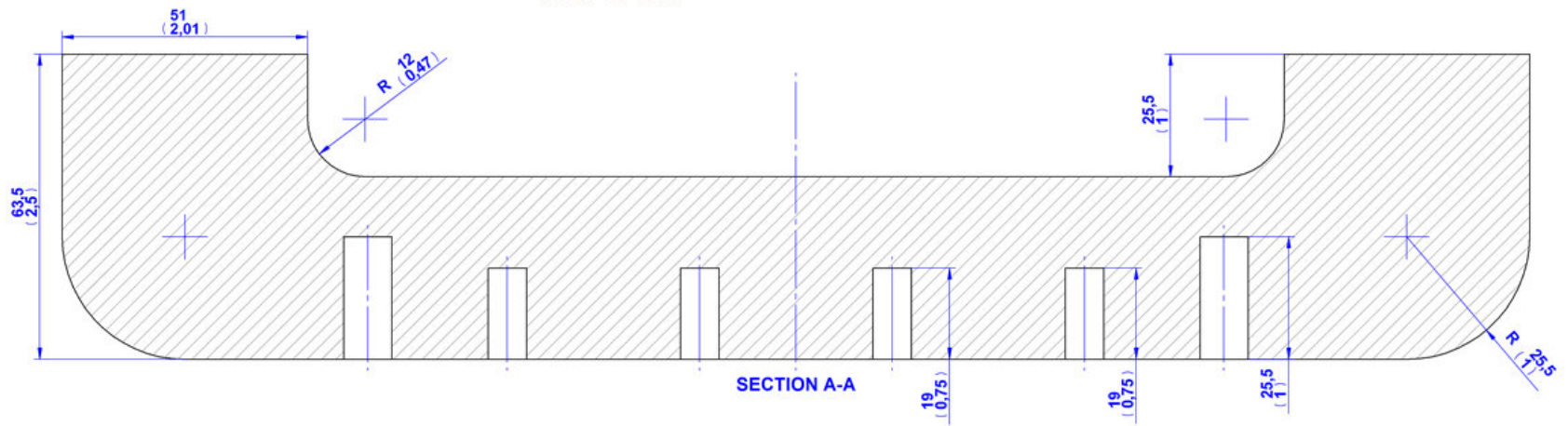
Item Number	Title	Quantity	Material
1	Foot	2	Wood
2	Upright	4	Wood
3	Frame top	2	Wood
4	Dowel D12 x 609mm	4	Wood
5	Dowel D12 x 616mm	1	Wood
6	Bottom plank	4	Wood
7	Dowel D10 x 50mm	8	Wood
8	Dowel D8 x 28mm	8	Wood

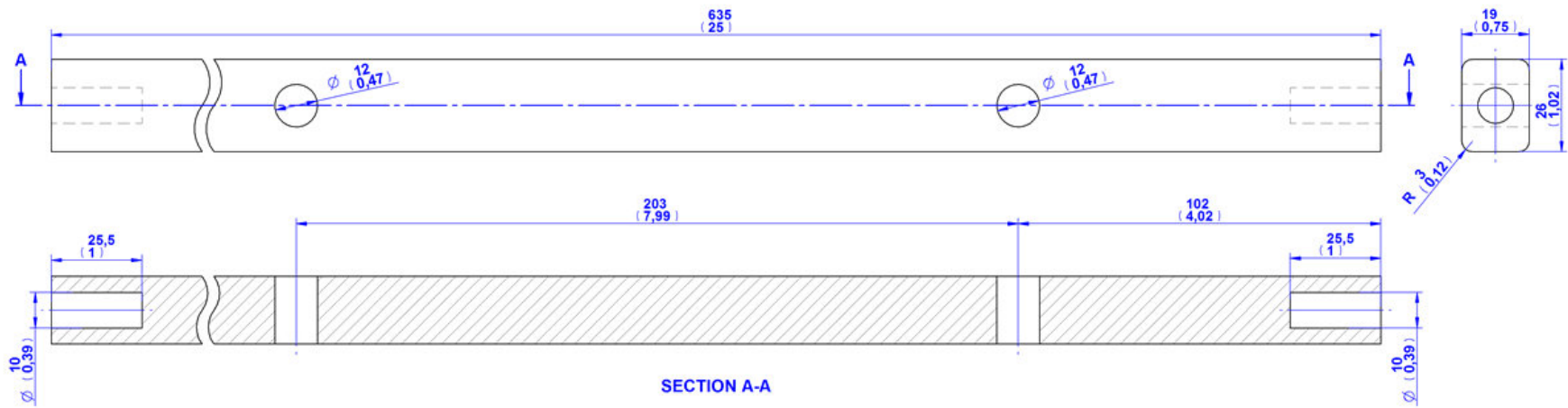
**Towel stand plan - Assembly 2D drawing**



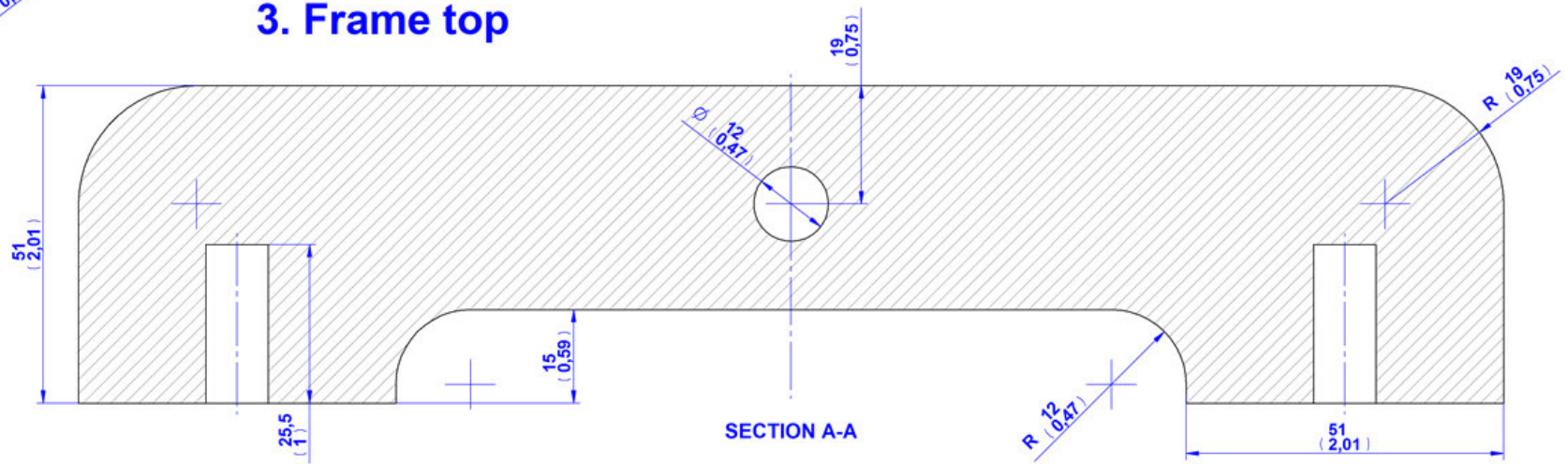
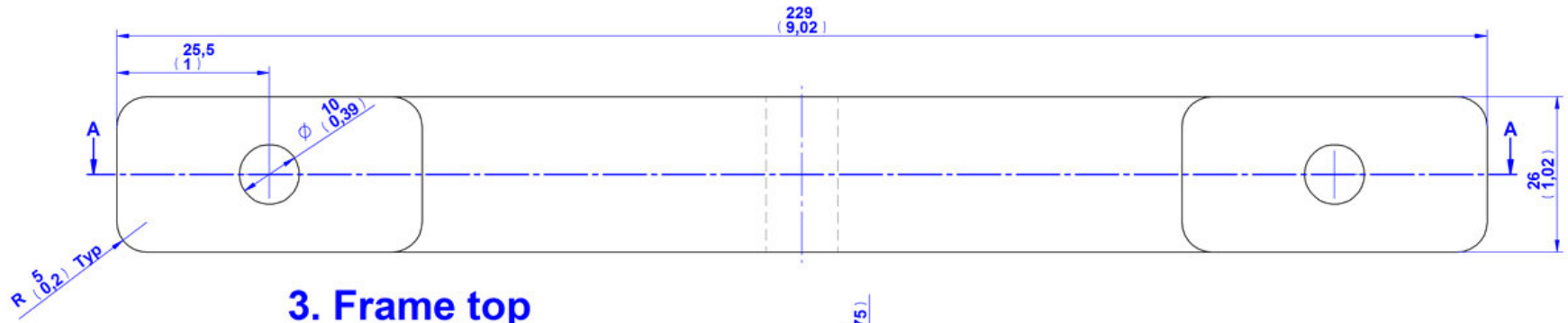


### 1. Foot



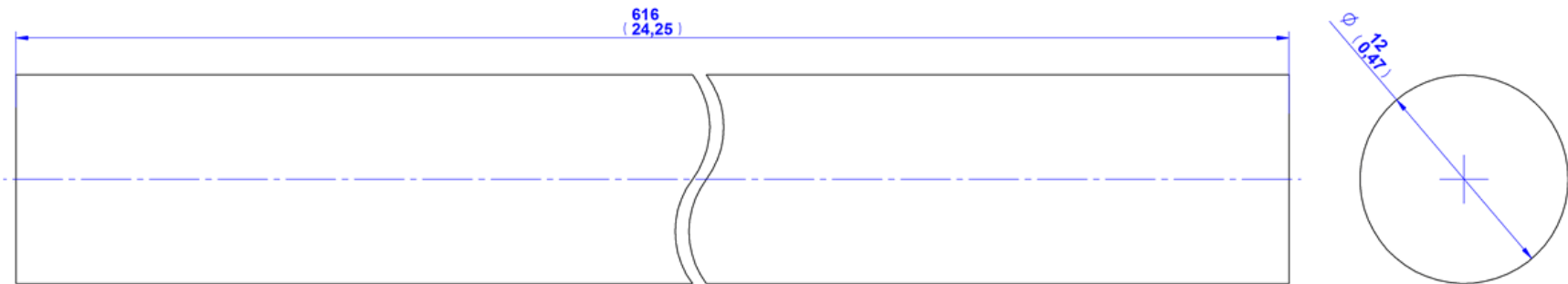


## 2. Upright

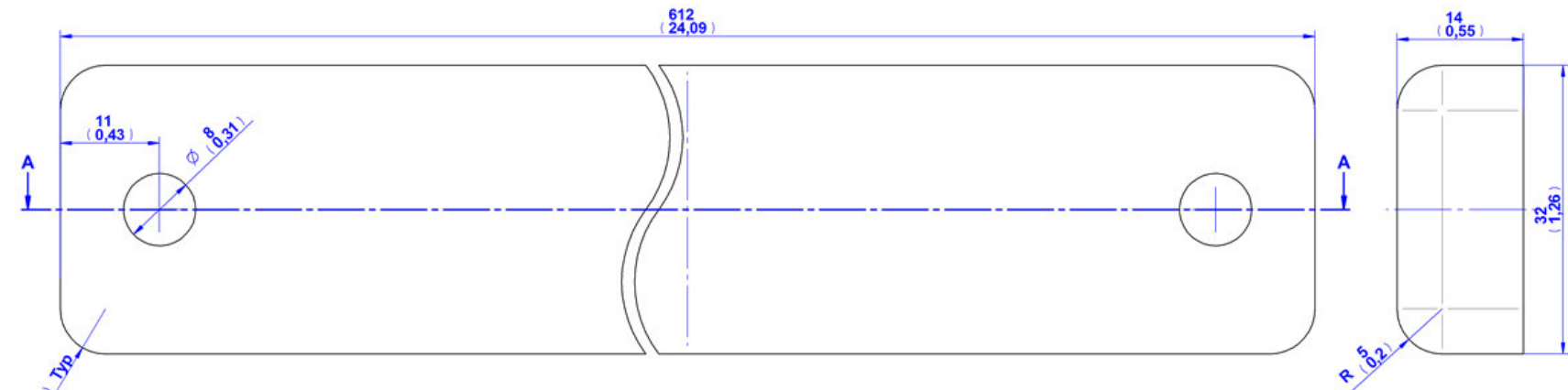




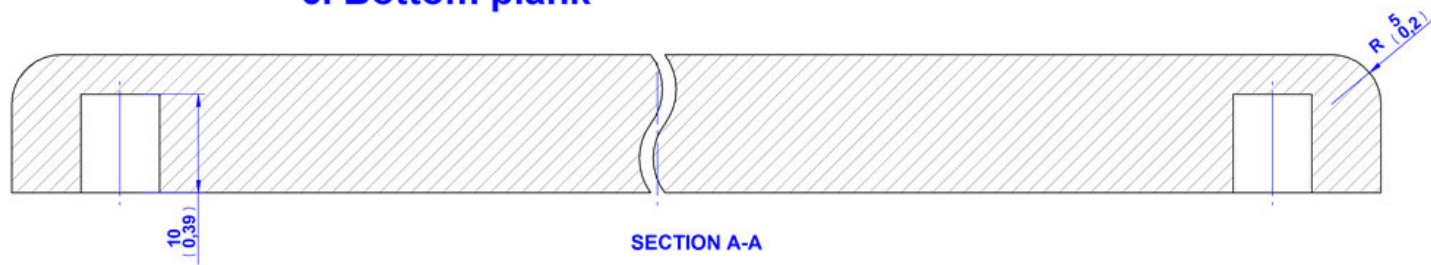
**4. Dowel D12 x 609mm**

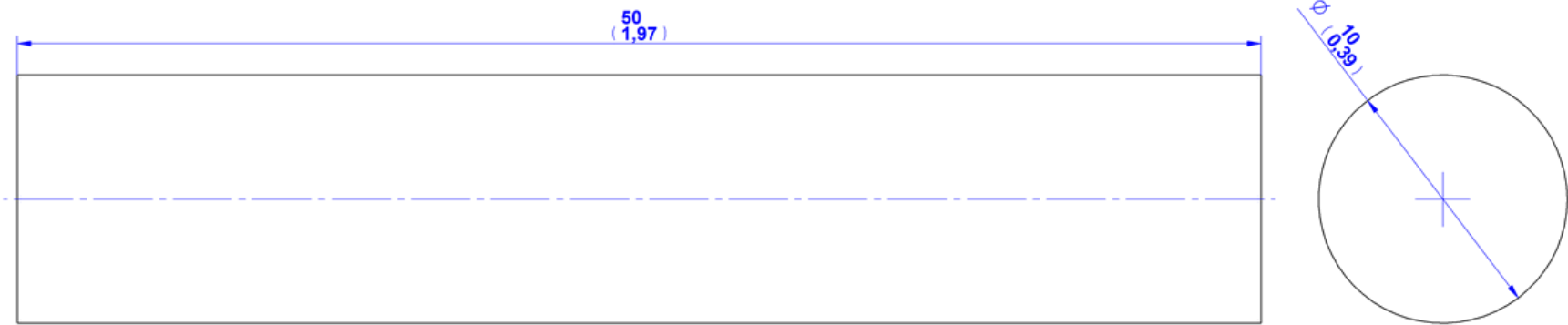


**5. Dowel D12 x 616mm**

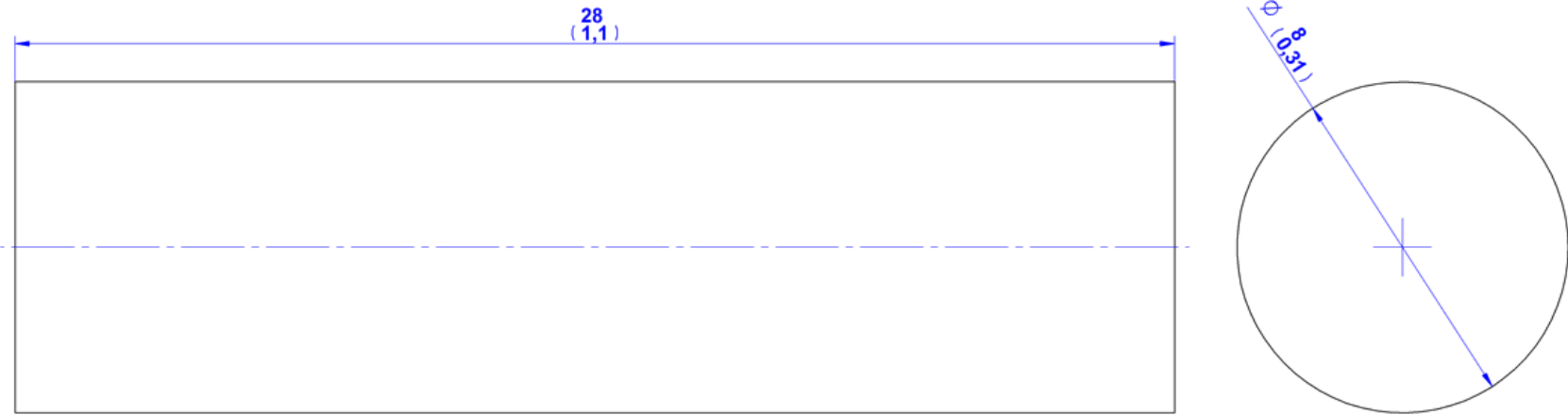


### 6. Bottom plank





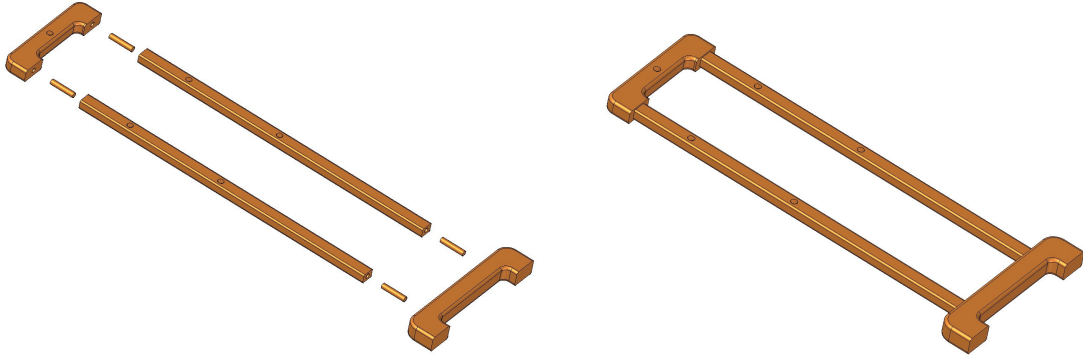
**7. Dowel D10 x 50mm**



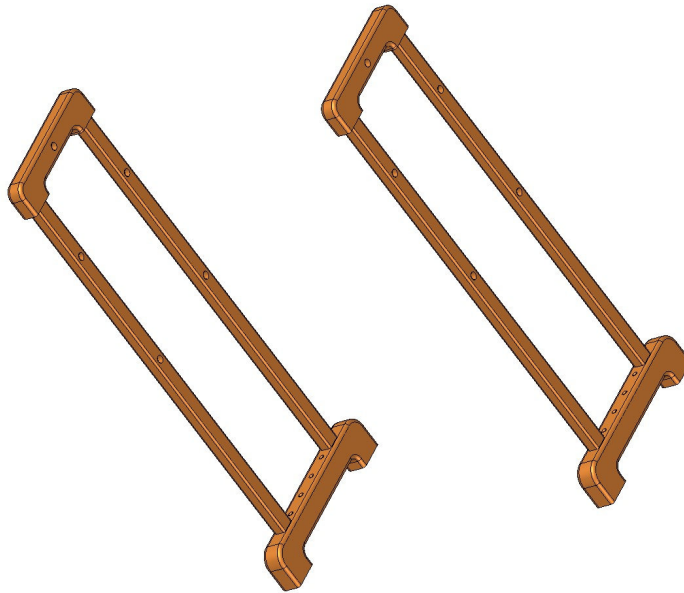
**8. Dowel D8 x 28mm**

## Assemblage instructions

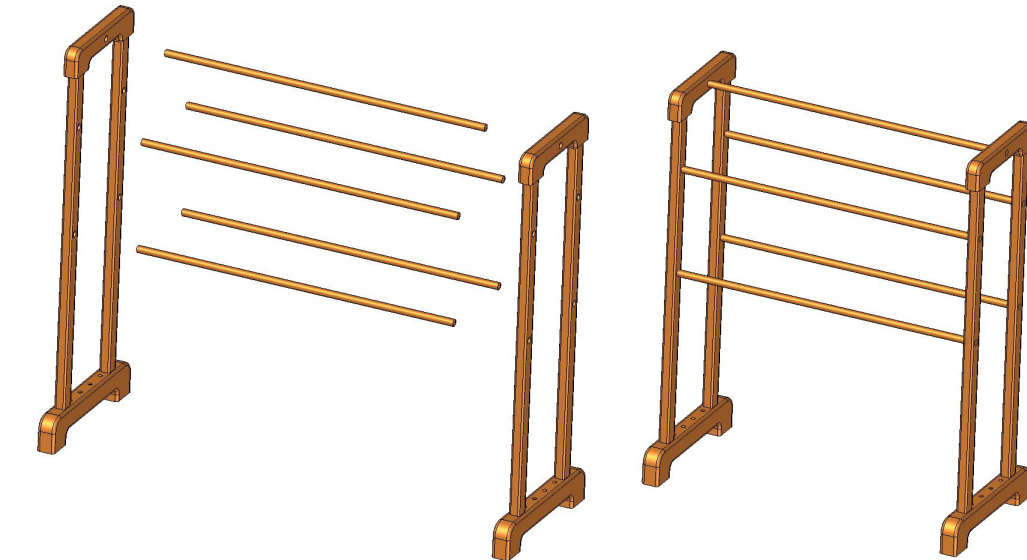
1. Join the parts foot (parts 1), upright (parts 2), frame top (Part 3) and dowel D10 x 50mm (parts 7) together with glue.



Form two of these subassemblies.



2. Join together with glue the two subassemblies made in the previous step with dowel D12 x 609mm (parts 4) and dowel D12 x 609mm (parts 5).



3. All is left to do, is to attach the bottom planks (parts 6) to the subassembly made in the previous step by using Dowels D8 x 28mm (Parts 8) and glue.

