

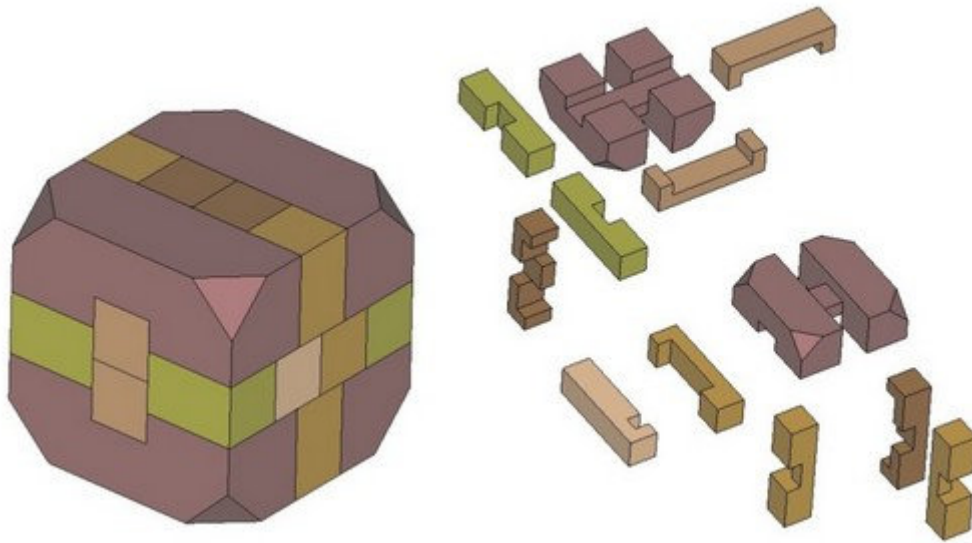
Sirius puzzle

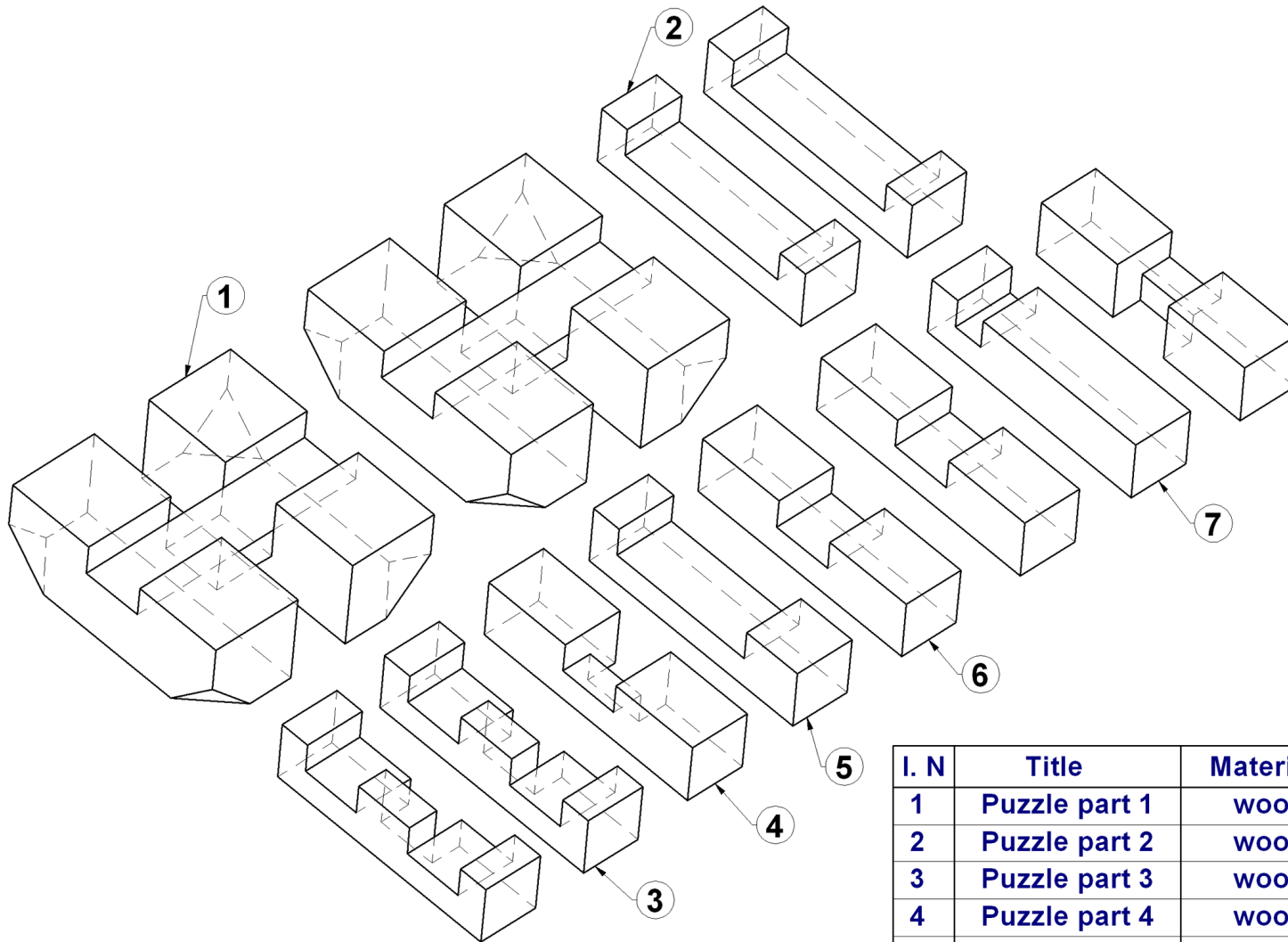
Shake this wooden logic 3D puzzle blocks and then unscramble them into one correctly marked die puzzle.

You can use various types of hard wood to make this project. We recommend purchasing some hard wood with a nice, interesting texture like Rosewood, Teak, Oak, Walnut, Chery, Ash etc.

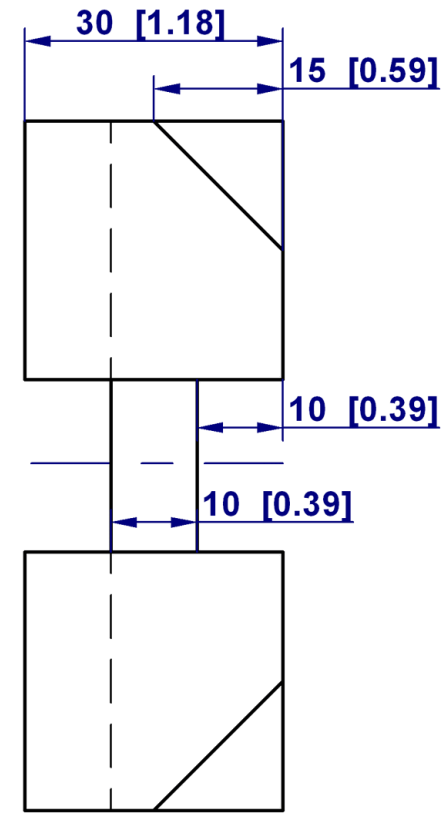
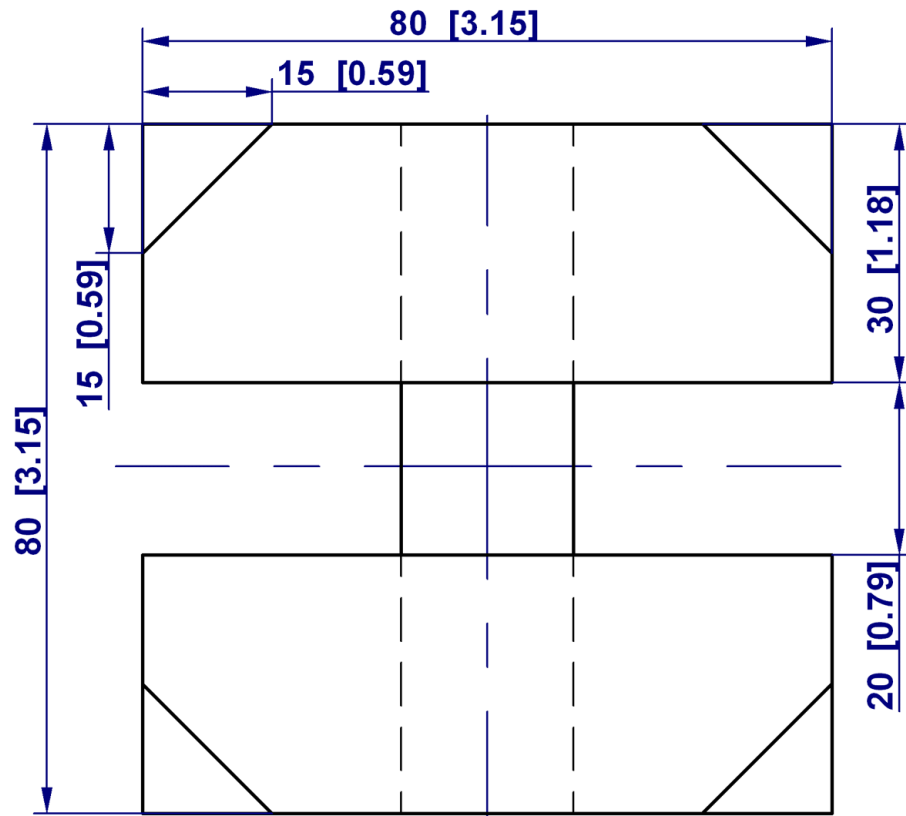
Make all the items following the instructions given in 2D documentation and try to piece the puzzle together. If some of the items do not fit to its place, rub one thin layer of wood with sandpaper, until all the items easily fit. Just be careful not to remove too much material during the sanding.

The measurements are given in millimeters, and the measurements in inches are given in brackets (1 inch = 25, 4 mm).

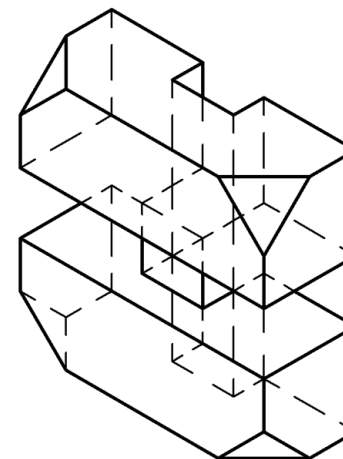
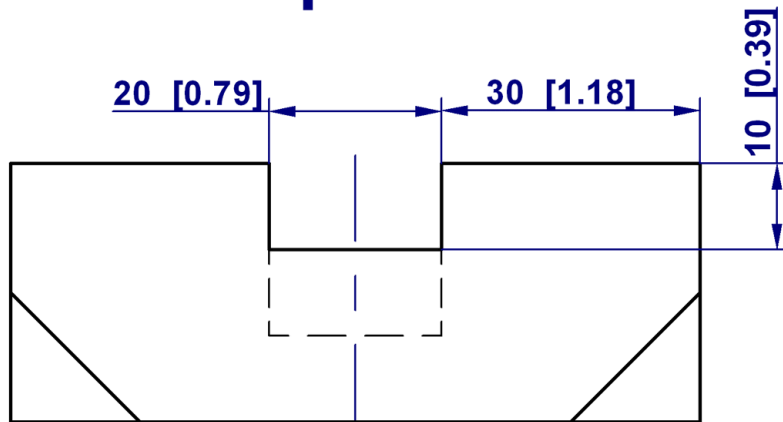


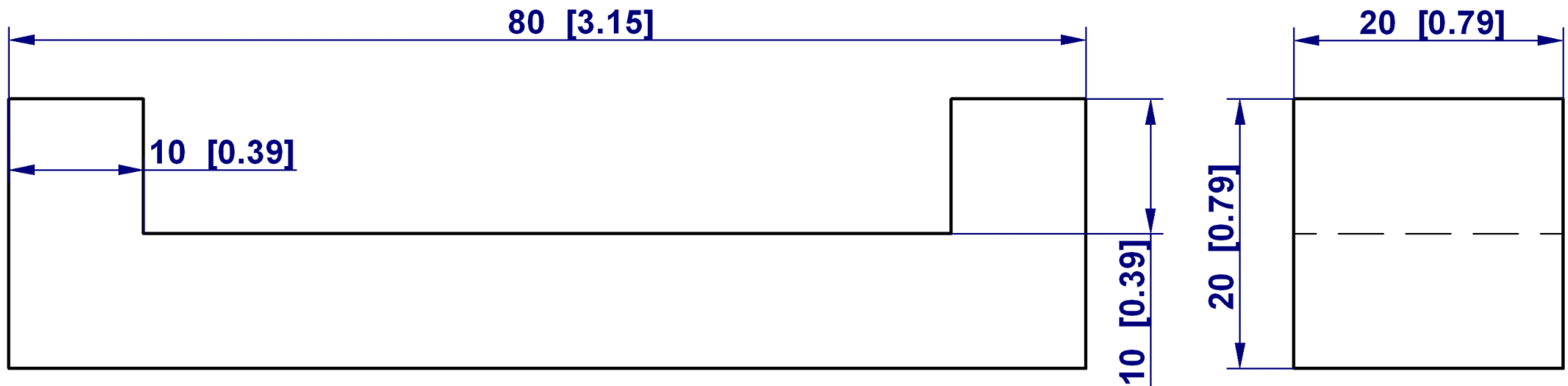
Sirius puzzle parts list

I. N	Title	Material	Quantiti
1	Puzzle part 1	wood	2
2	Puzzle part 2	wood	2
3	Puzzle part 3	wood	2
4	Puzzle part 4	wood	2
5	Puzzle part 5	wood	1
6	Puzzle part 6	wood	2
7	Puzzle part 7	wood	1

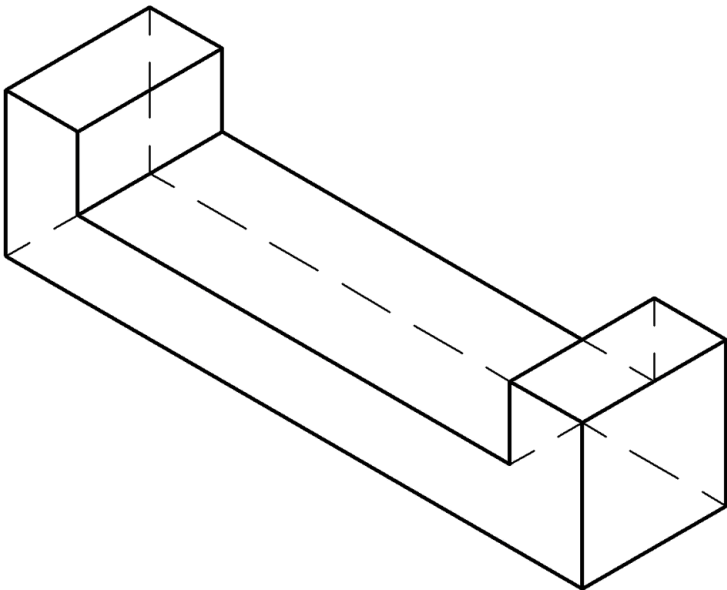


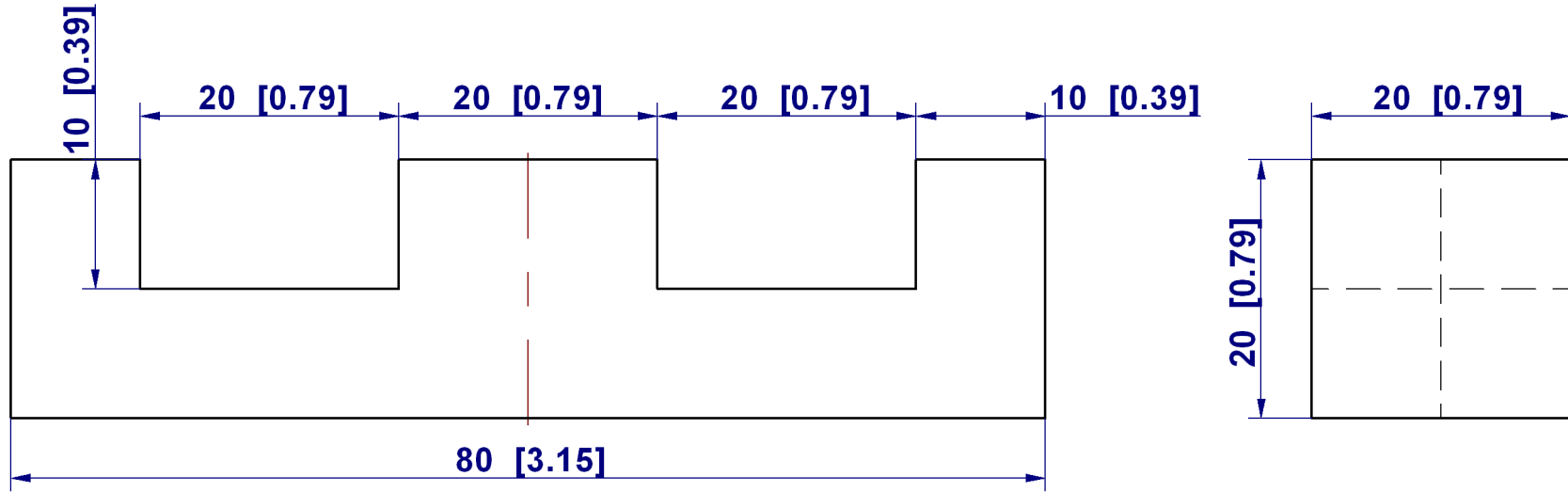
Puzzle part 1



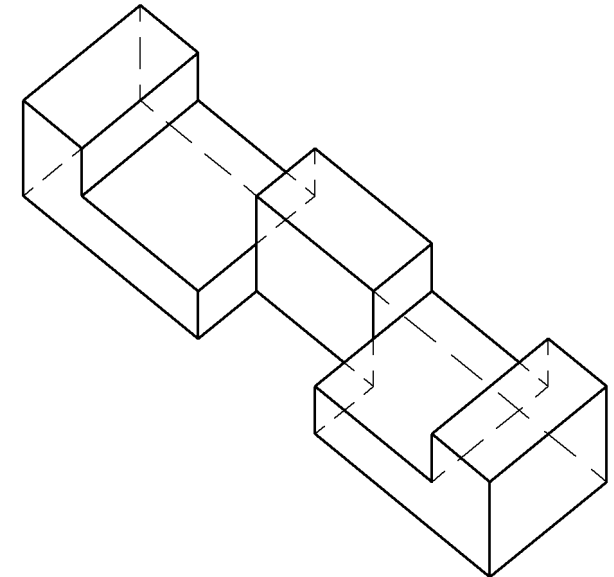
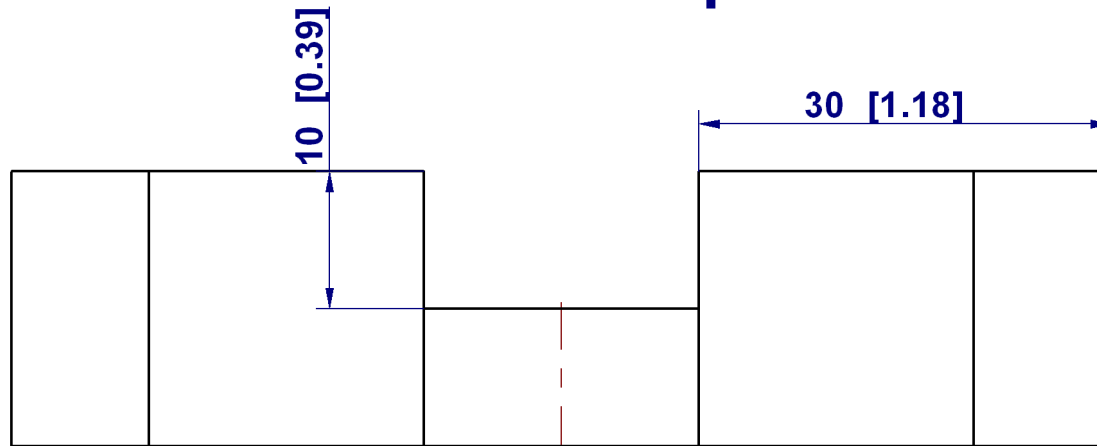


Puzzle part 2

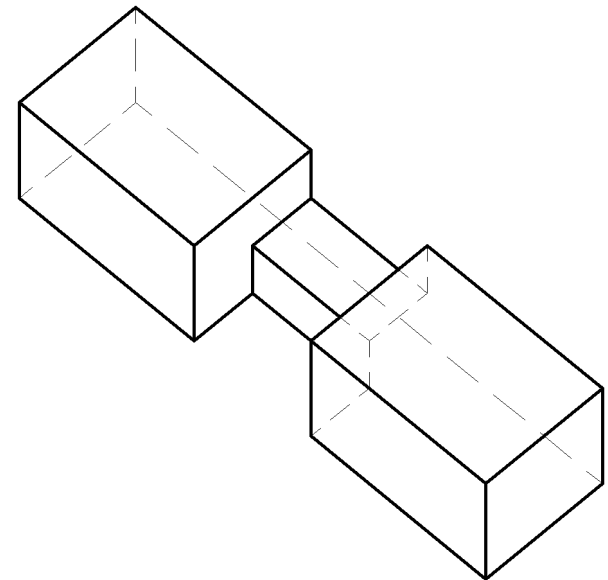
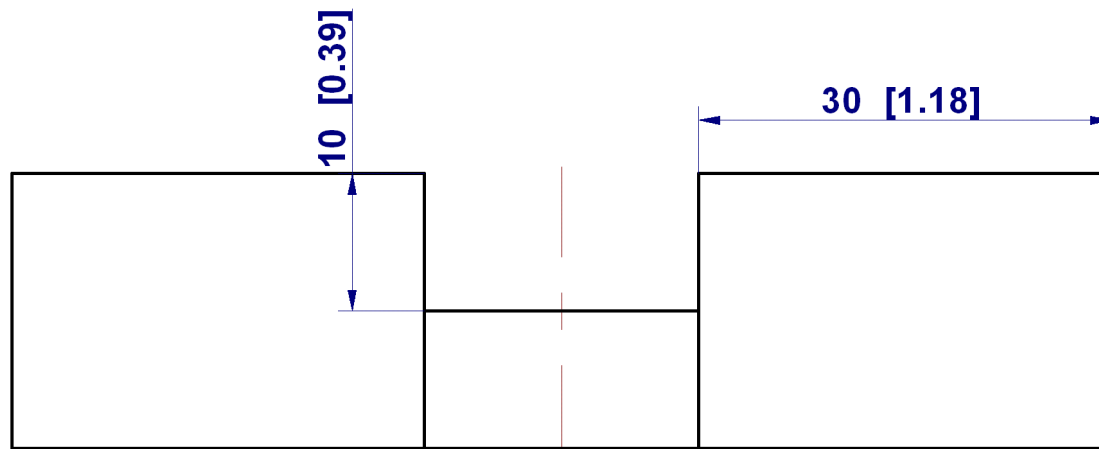
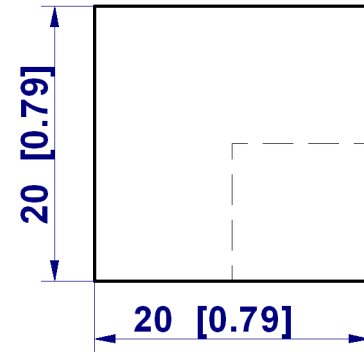
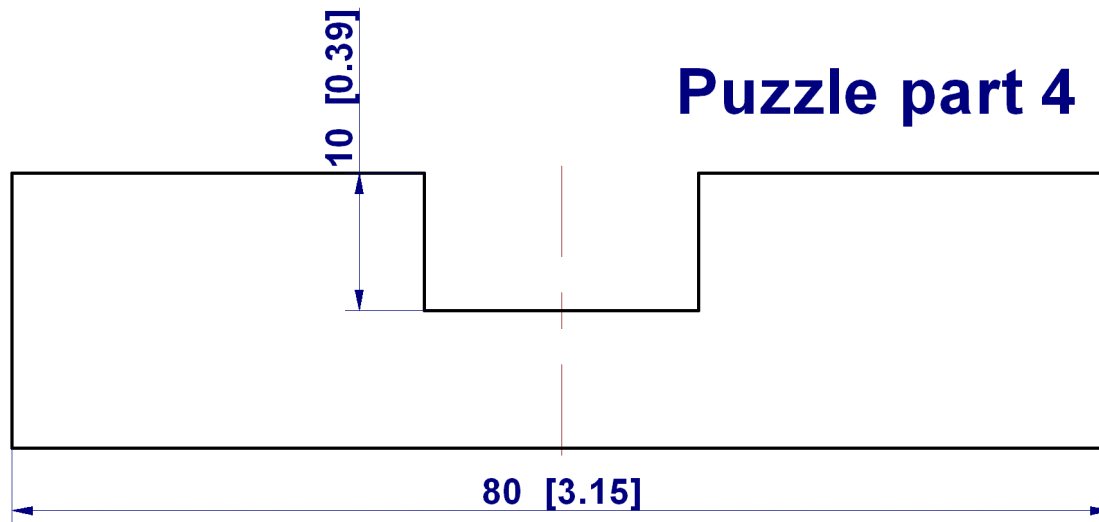


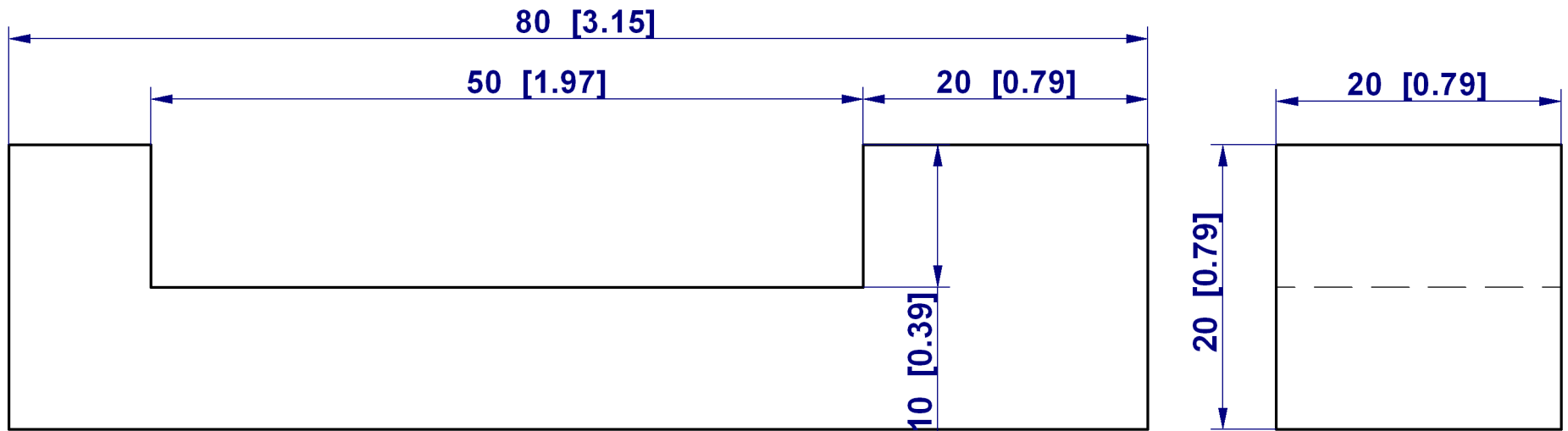


Puzzle part 3

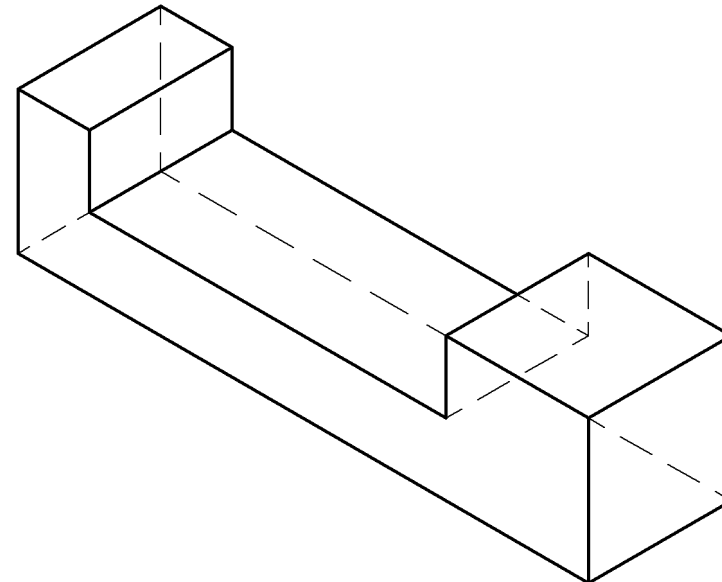


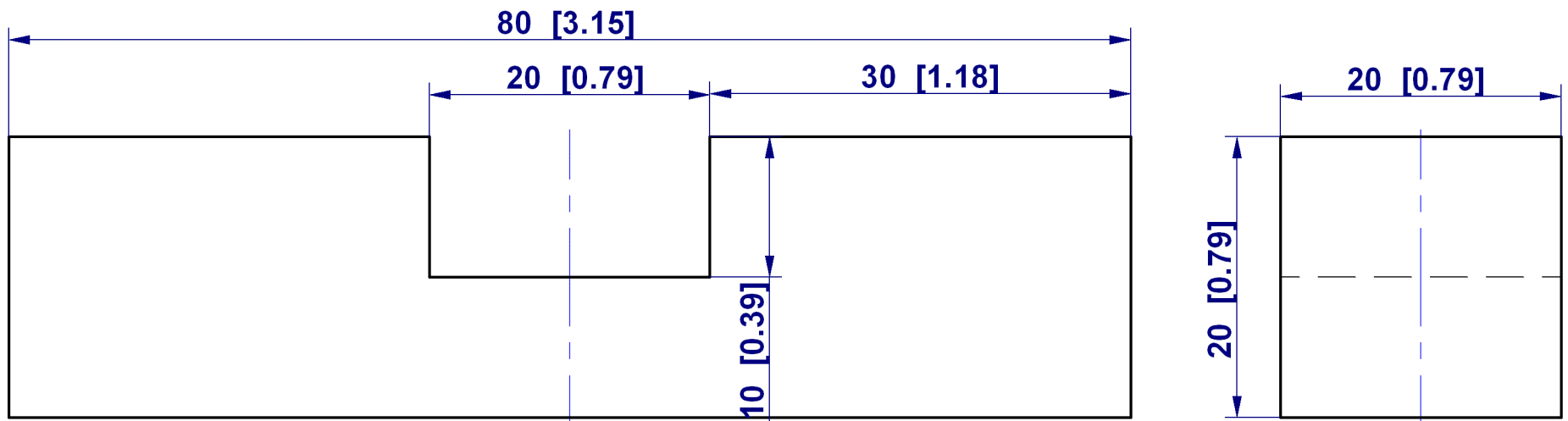
Puzzle part 4



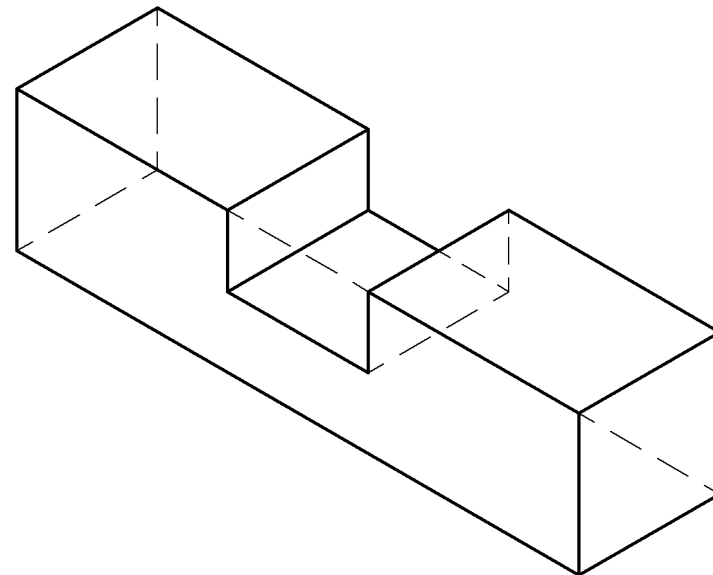


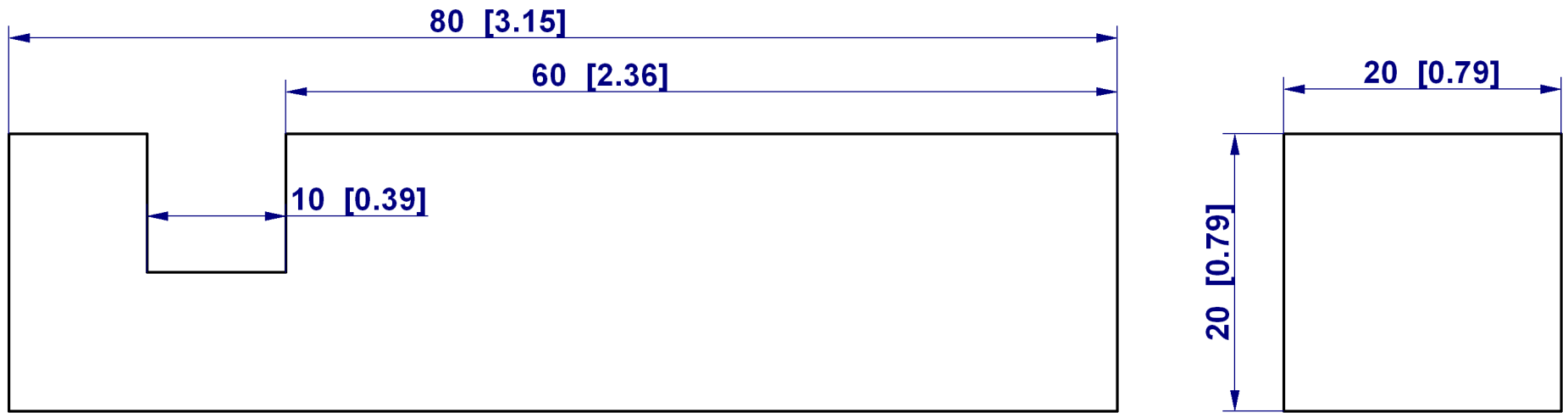
Puzzle part 5



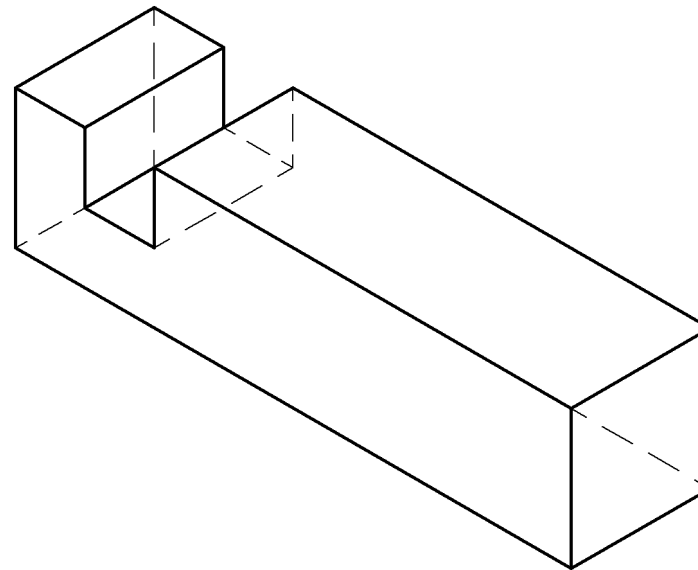


Puzzle part 6



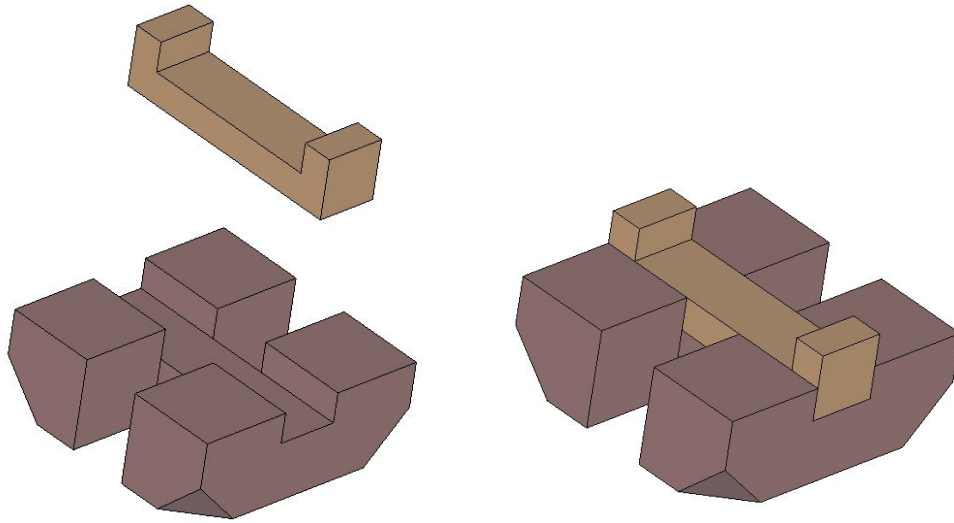


Puzzle part 7

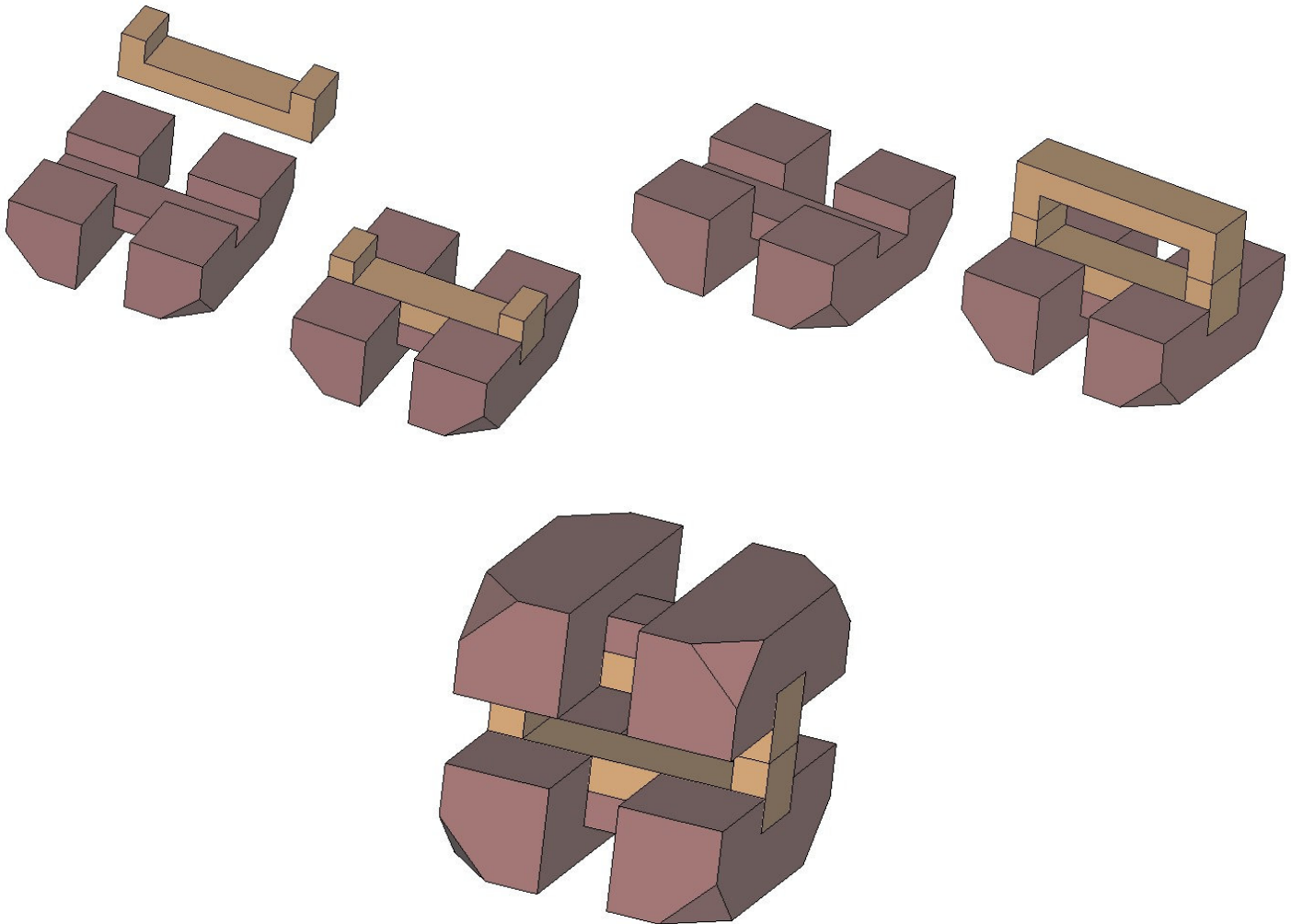


PUZZLE SOLUTION

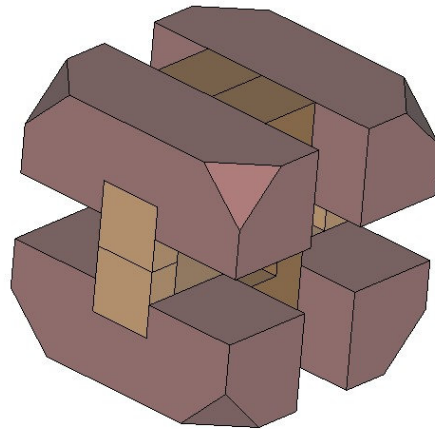
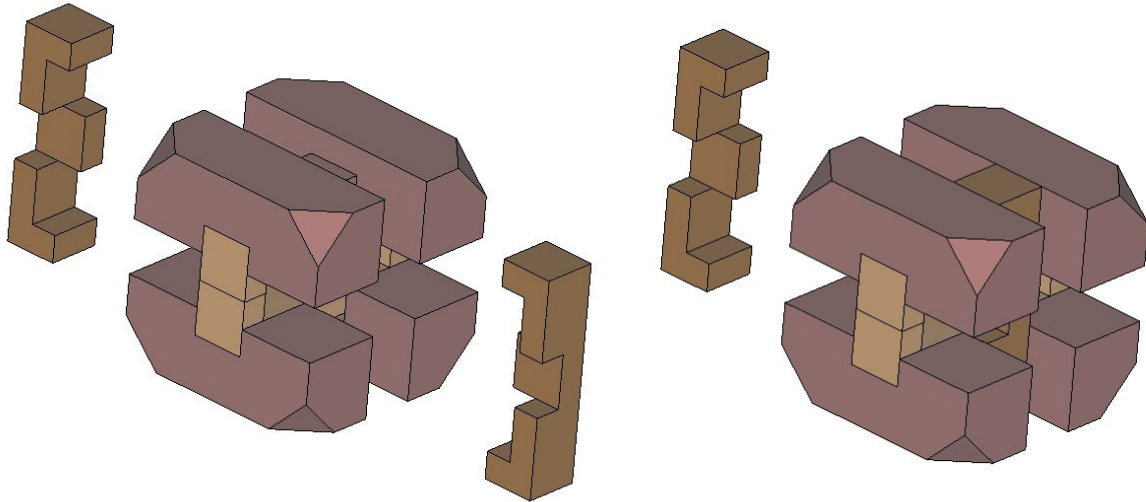
Step 1



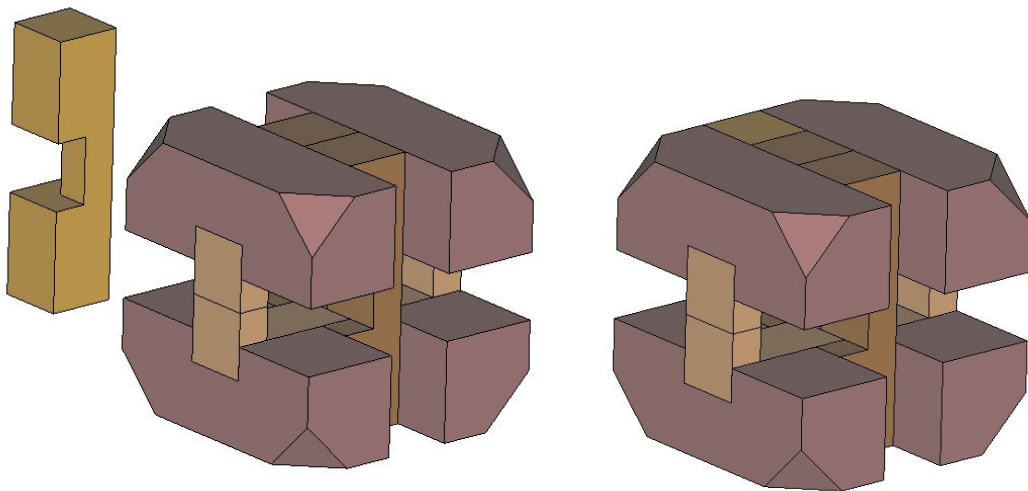
Step 2



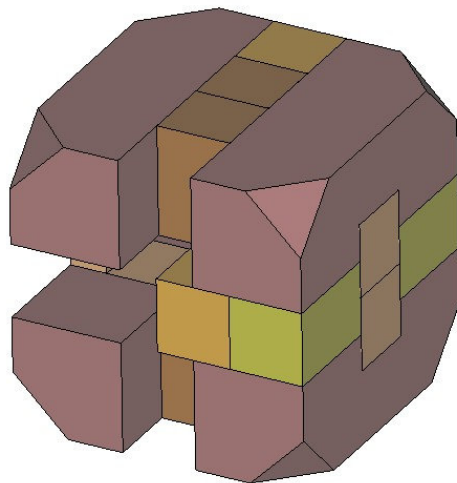
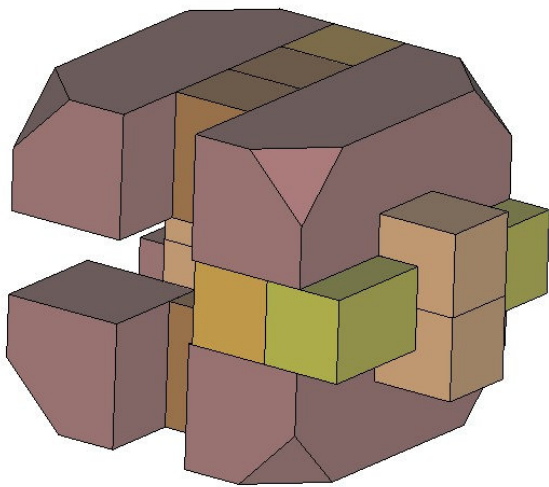
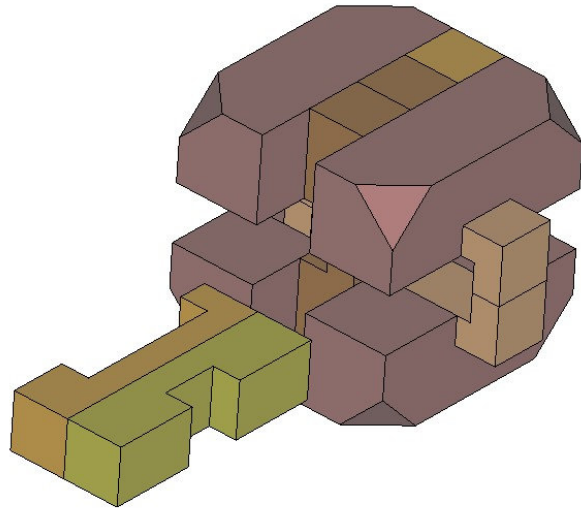
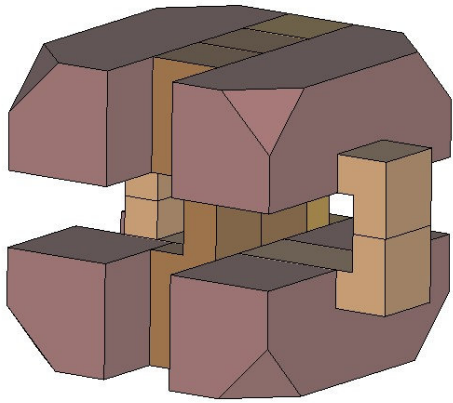
Step 3



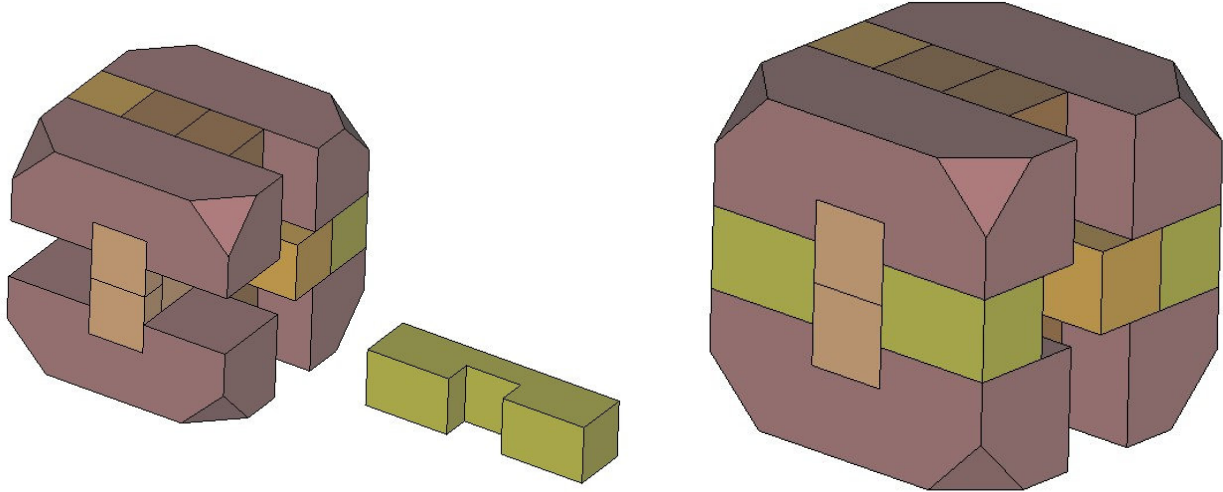
Step 4



Step 5



Step 6



Step 7

