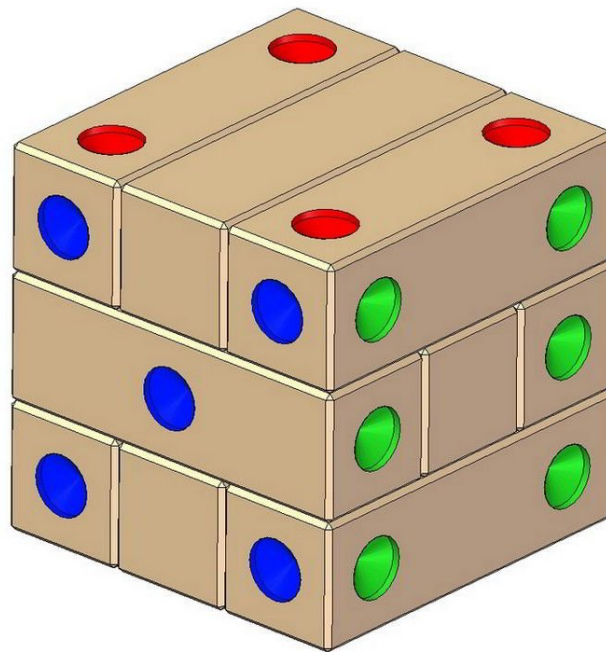


## Dice 3d wooden puzzle plan

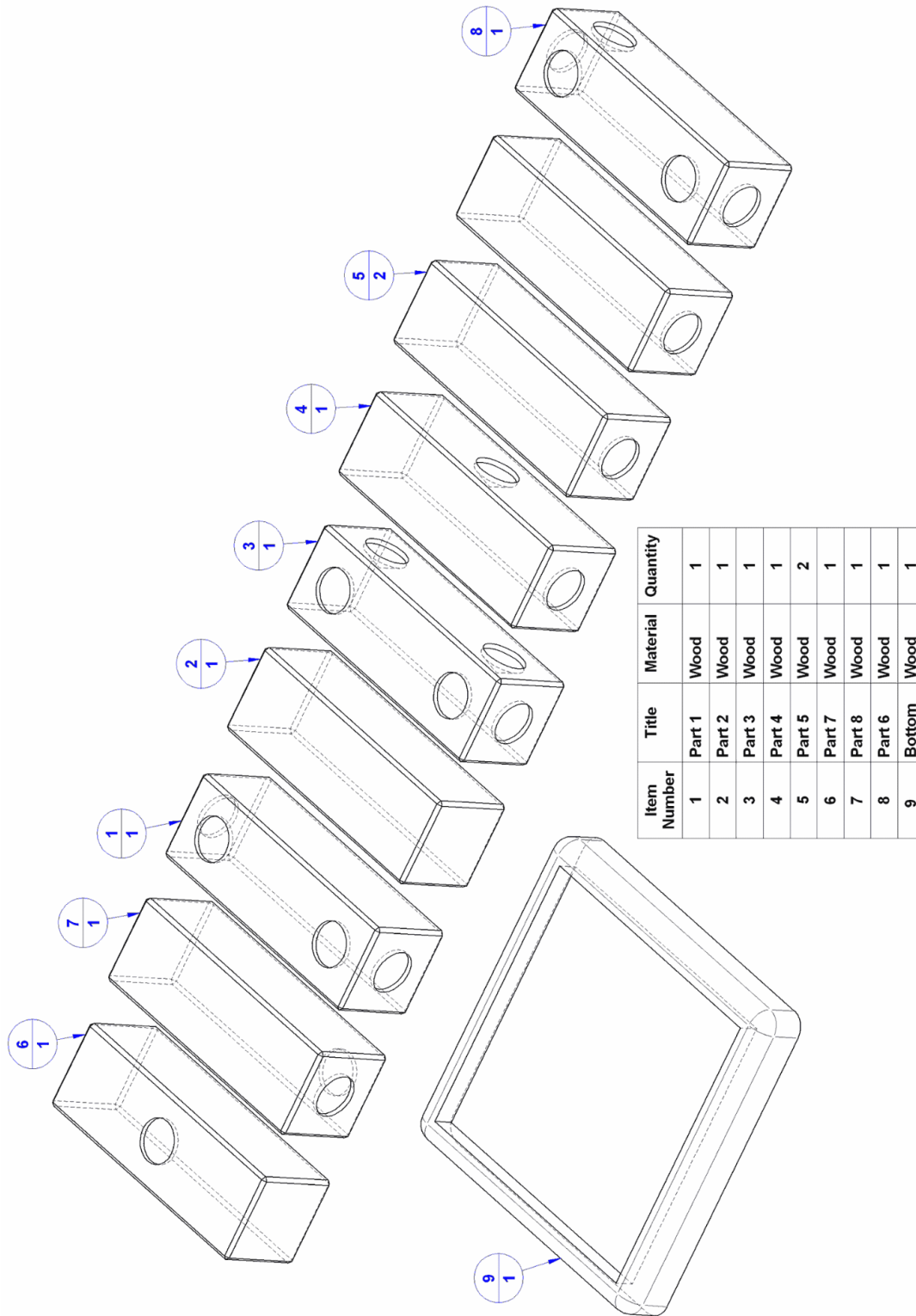


Here you can download the plan for creating a 3D wooden puzzle. Since it looks like a dice, we have called it a dice puzzle. The puzzle consists of 9 pieces (blocks) of the same dimensions that have blind holes drilled in certain places. In our plan, these holes have been painted with different colors to make it easier for you to see what this is about, but as this way of coloring makes it too easy to put the puzzle together, we advise you to paint all the holes with the same color. Together with the puzzle there is also a die that serves to put the puzzle inside.

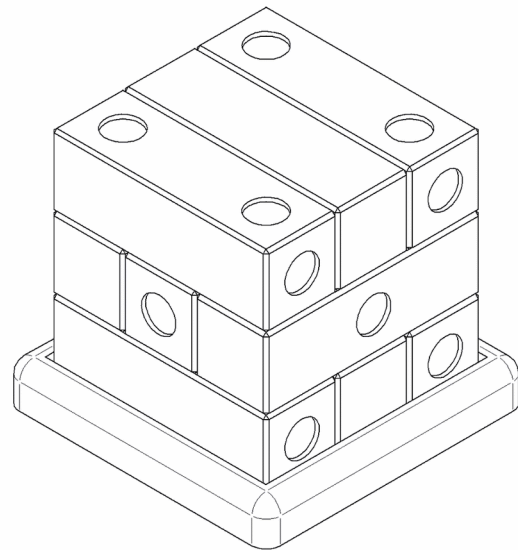
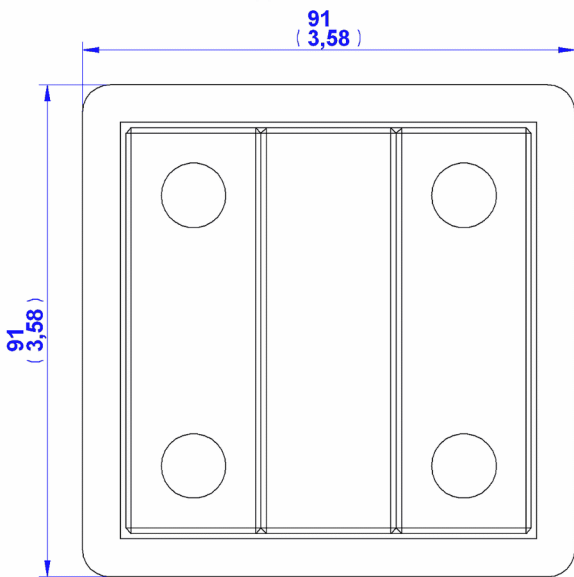
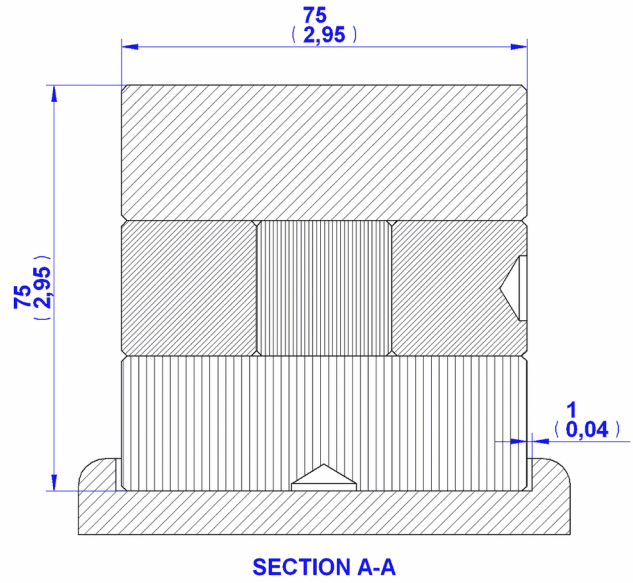
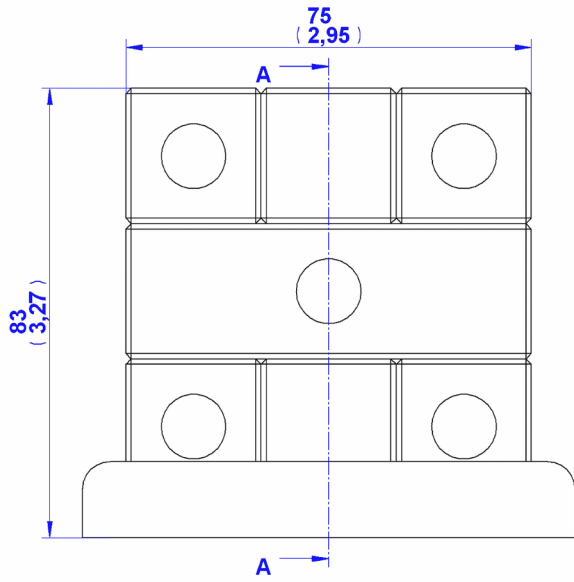
Playing with the dice puzzle is very simple: take it apart into pieces, and then slowly assemble the puzzle inside the die so that it resembles a dice, i. e., that there are different numbers of holes on each side of the cube, ranging from 1 to 6, and that the sum of the holes on the opposite sides of the dice puzzle is 7. This wooden puzzle may seem easy to solve, but when you try to assemble it, you will see that it is far more difficult.

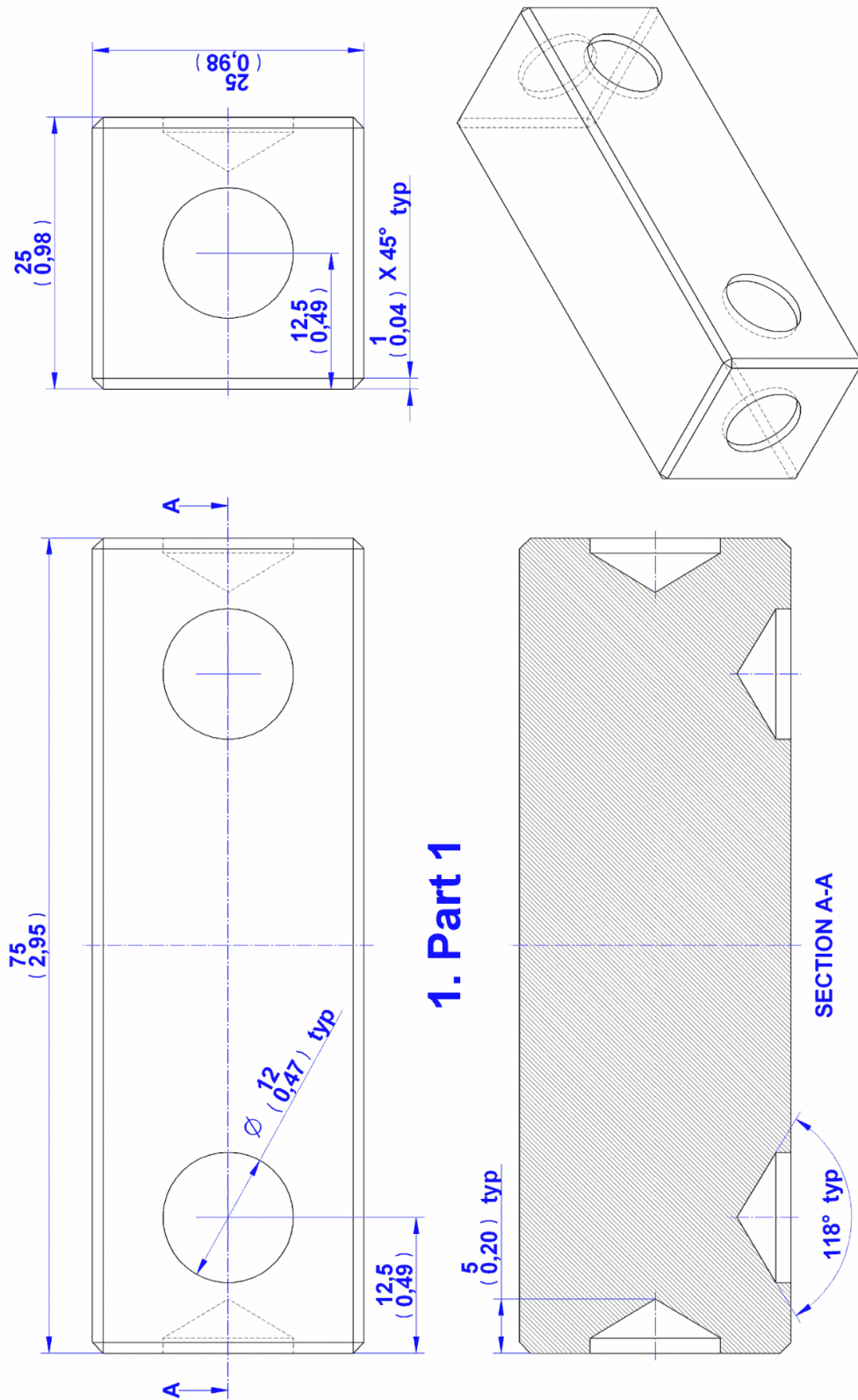
If you look at the parts drawings in our plan, you will see that this is a simple wooden puzzle that can be made very quickly. All 9 puzzle pieces are the same size. Carefully drill the blind holes according to the drawings and paint the inside of the holes with any color you want. The die can be made from a solid wood piece, or by separately making the bottom and sides of the die and then gluing them together.

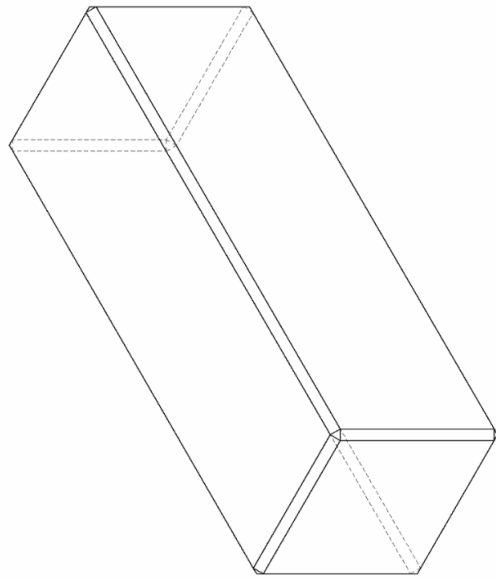
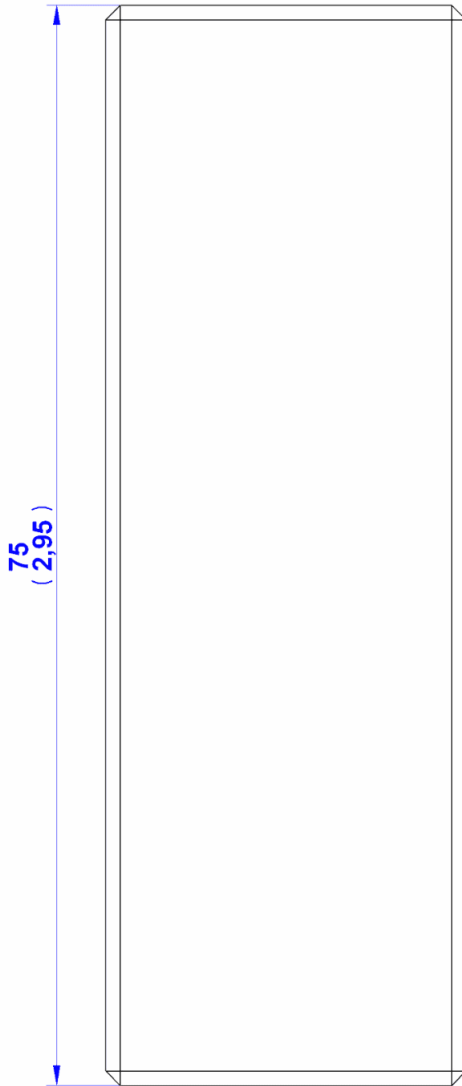
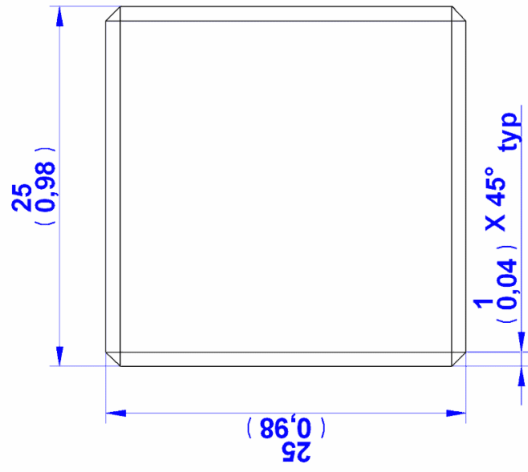
### Dice puzzle parts list



### Dice puzzle assembly drawings

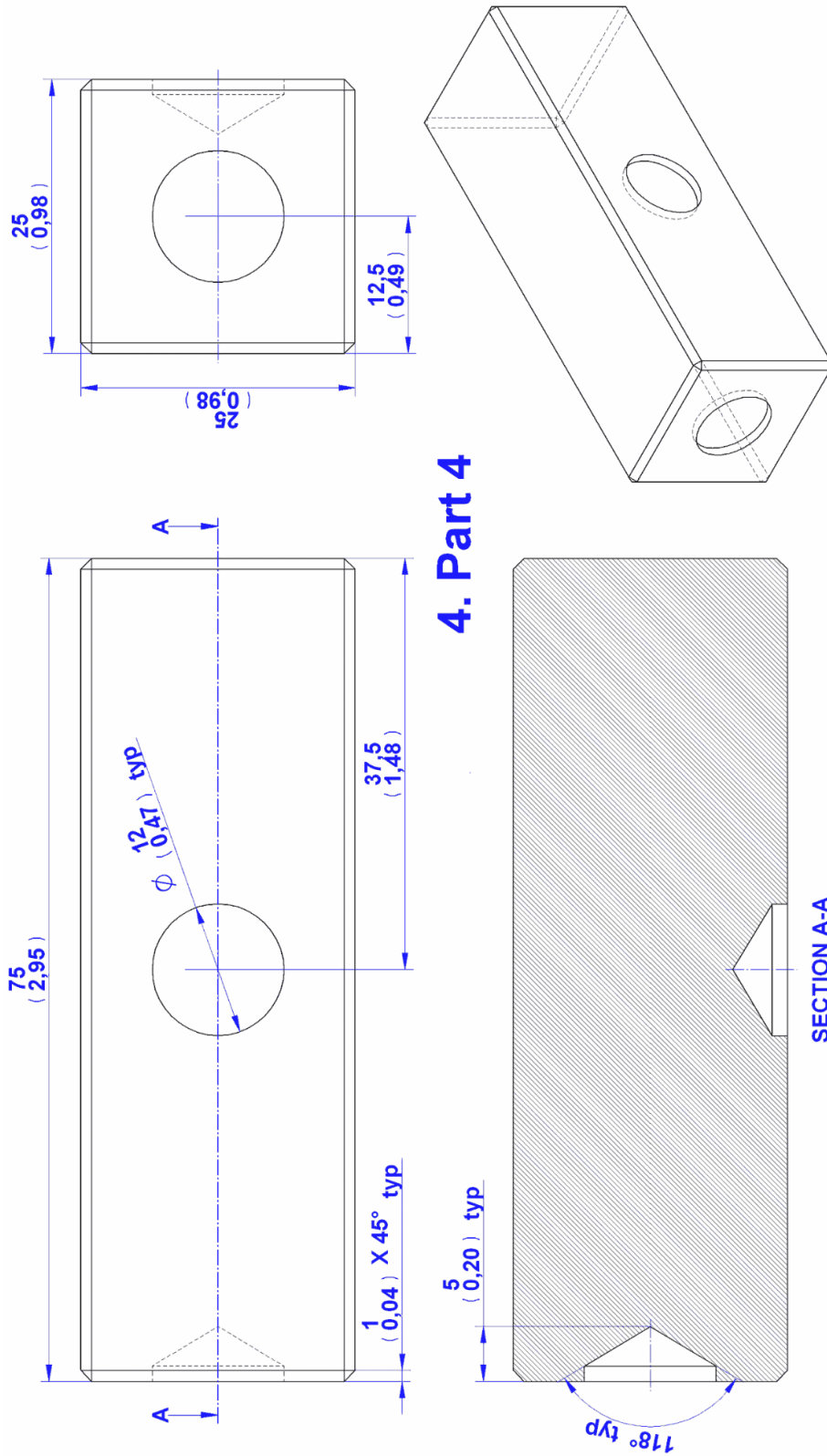






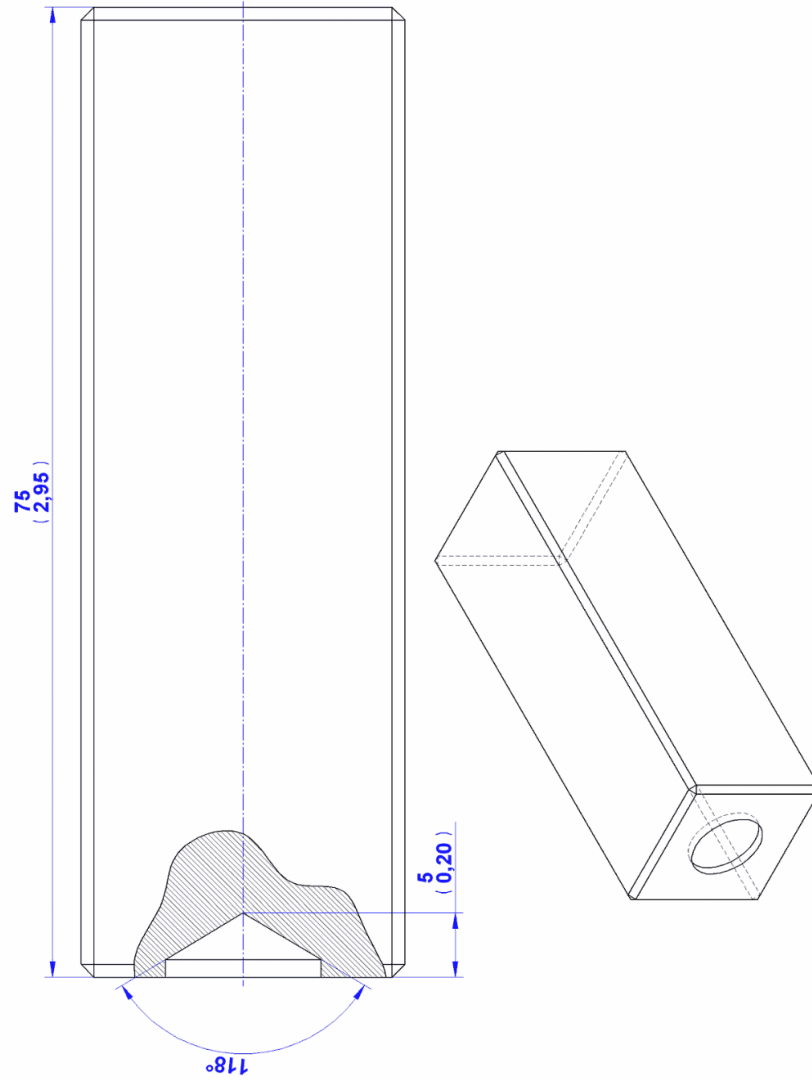
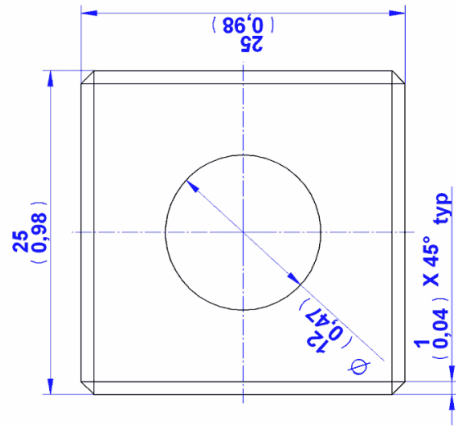
## 2. Part 2





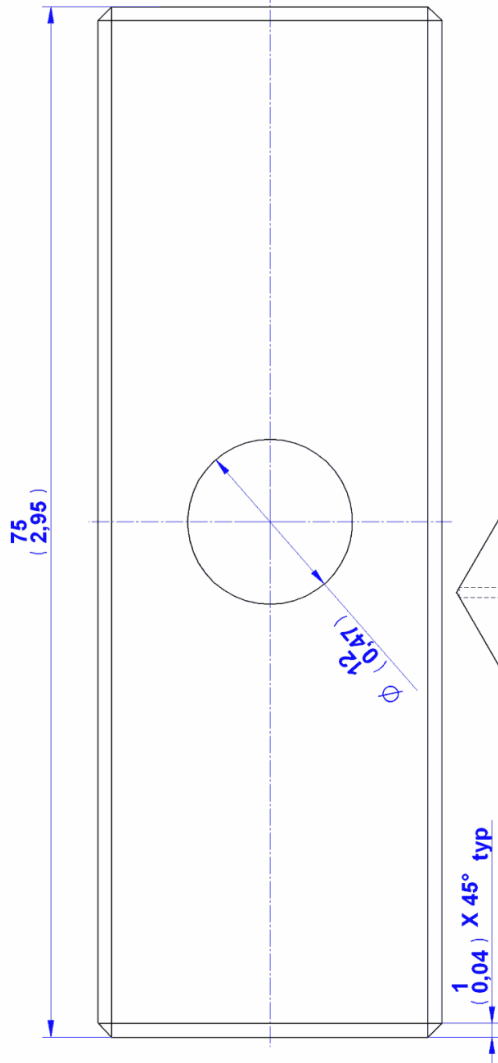
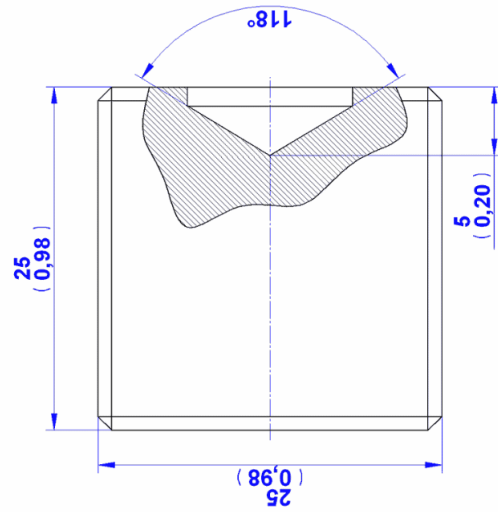
### 4. Part 4



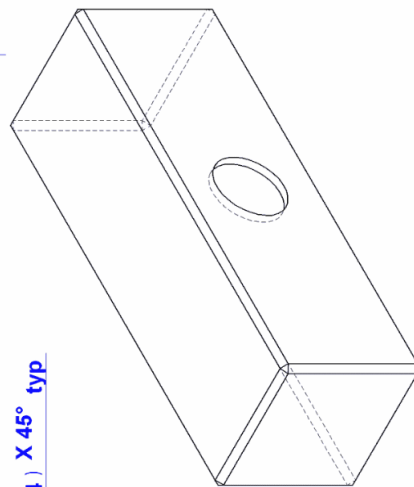


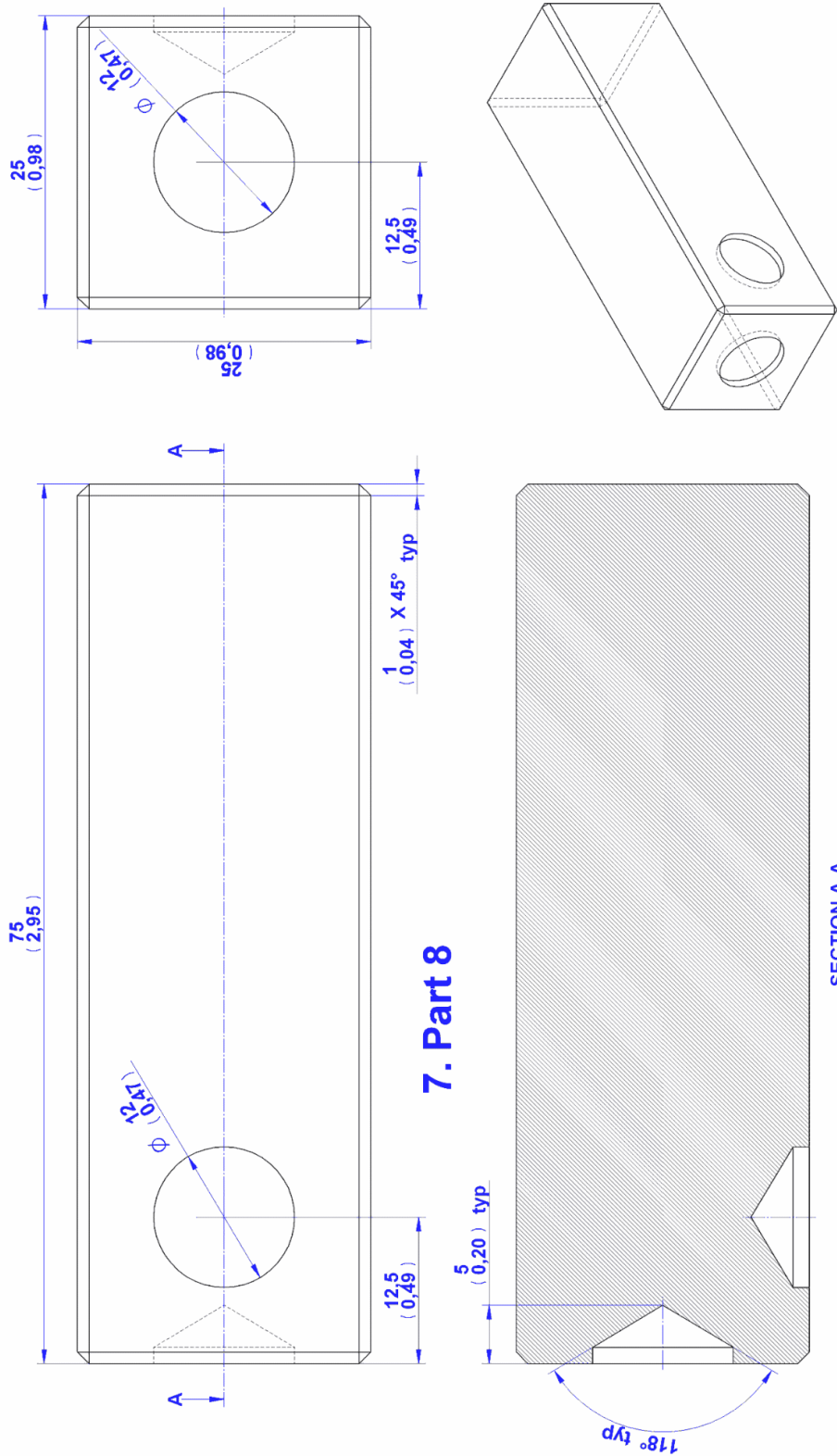
## 5. Part 5

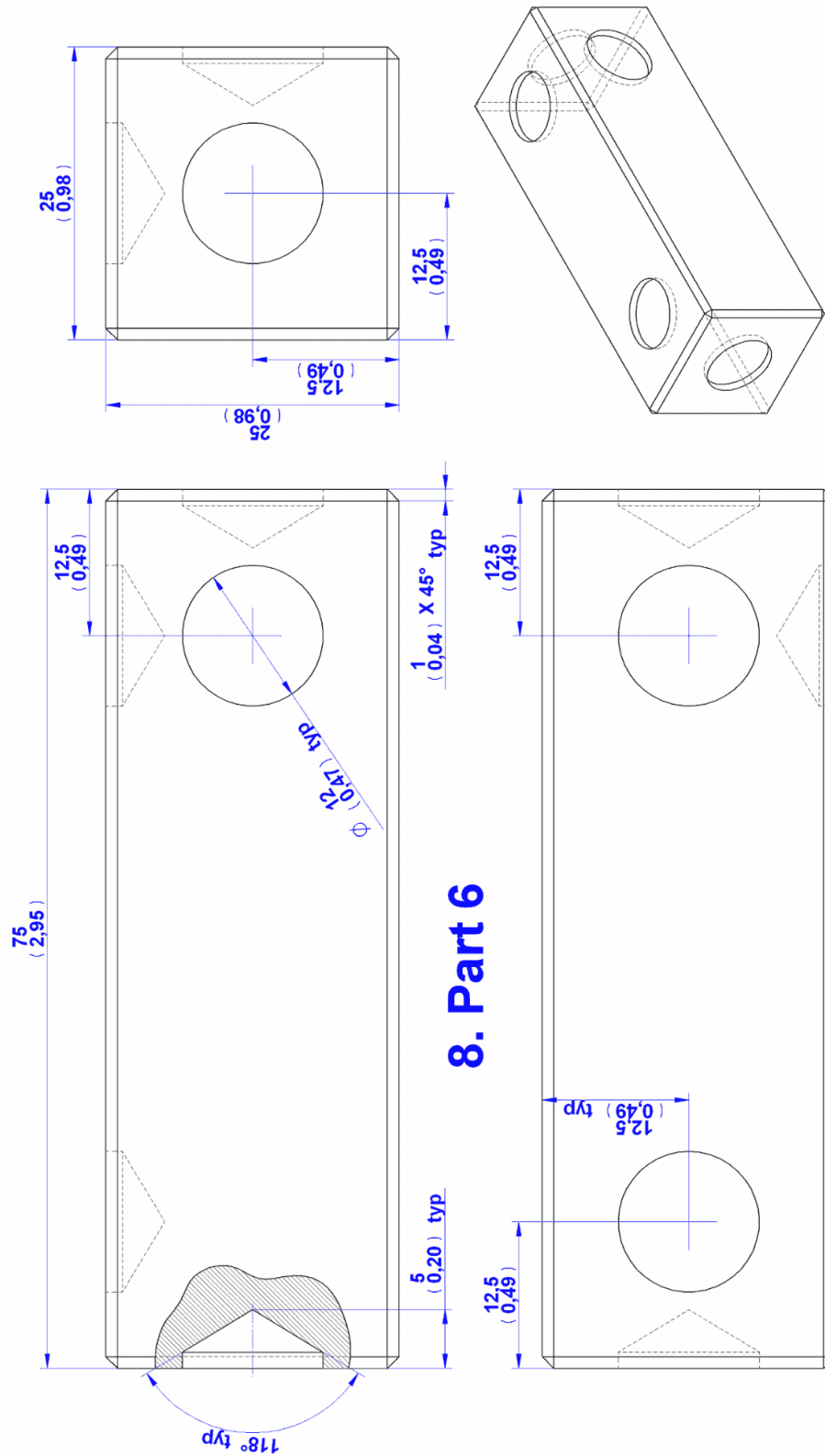


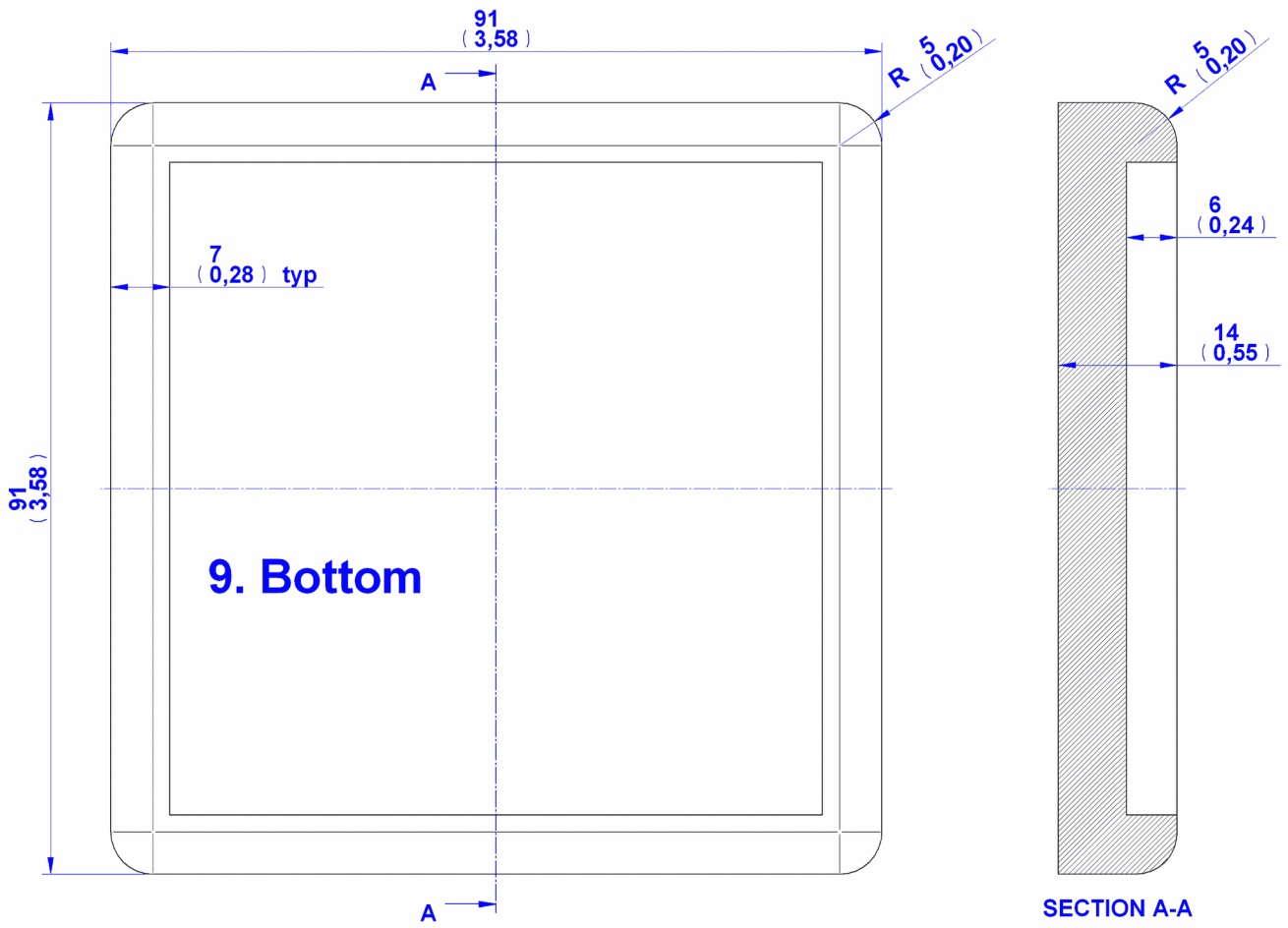


## 6. Part 7



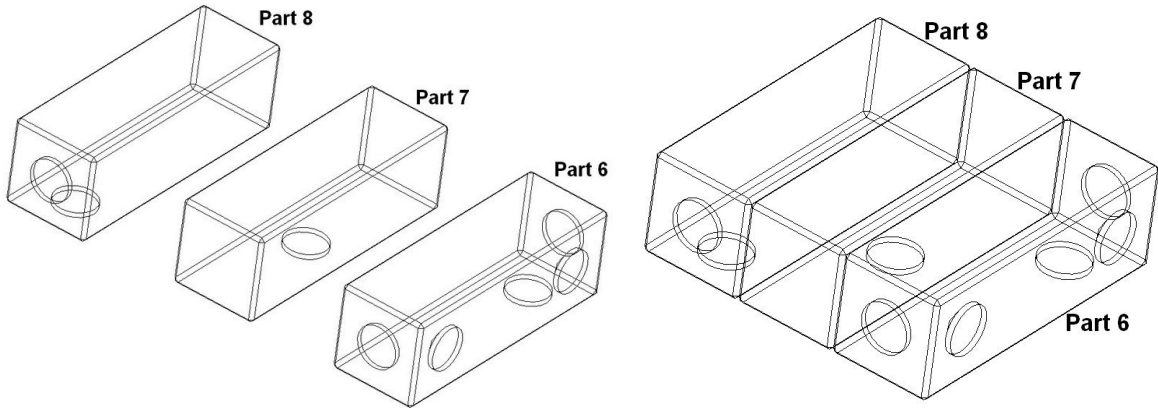




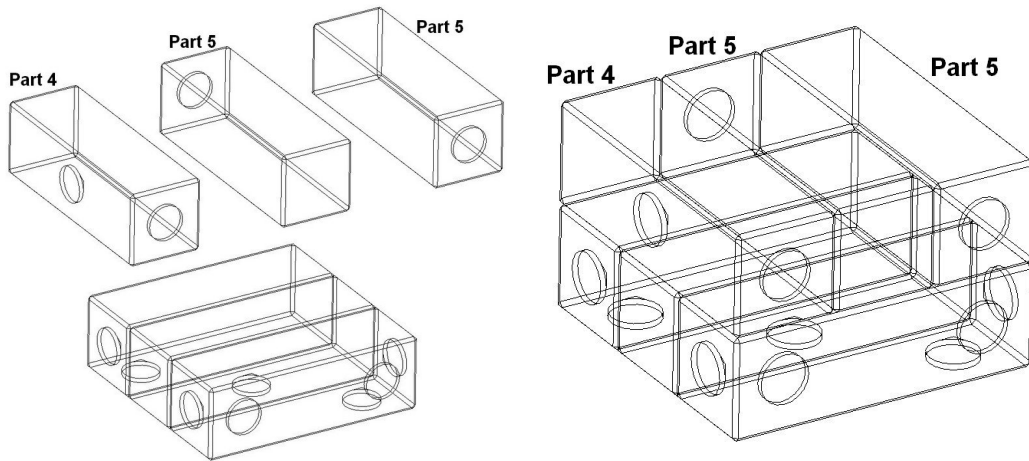


### PUZZLE SOLUTION

#### Step 1



#### Step 2



#### Step 3

