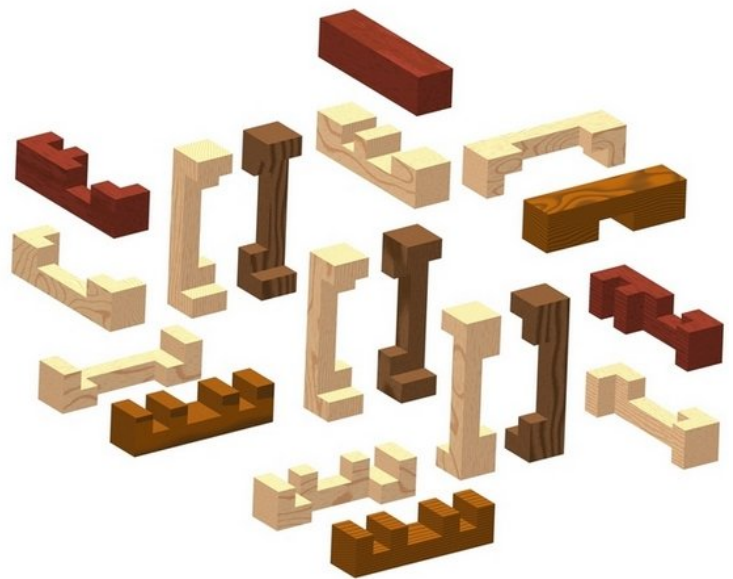
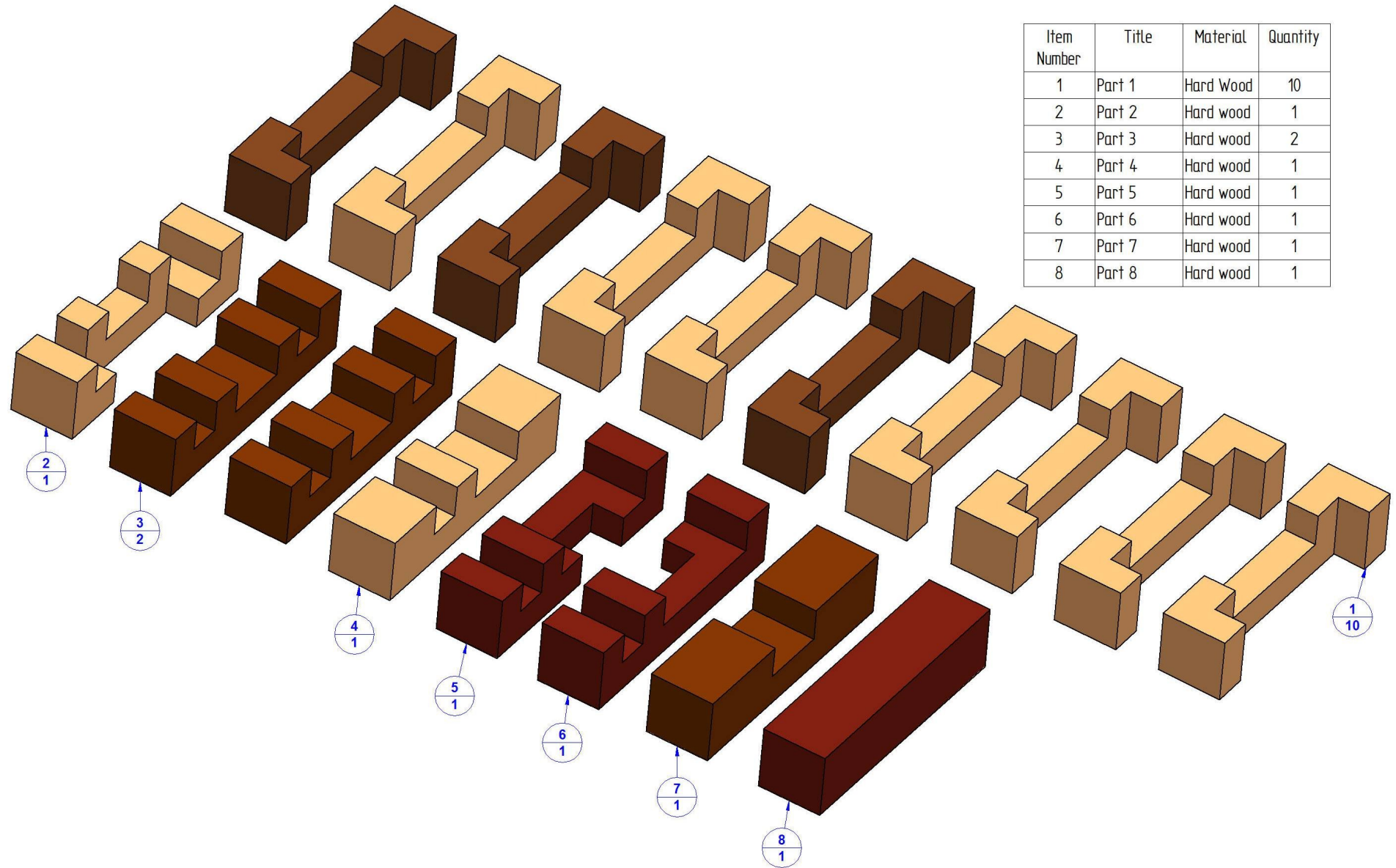
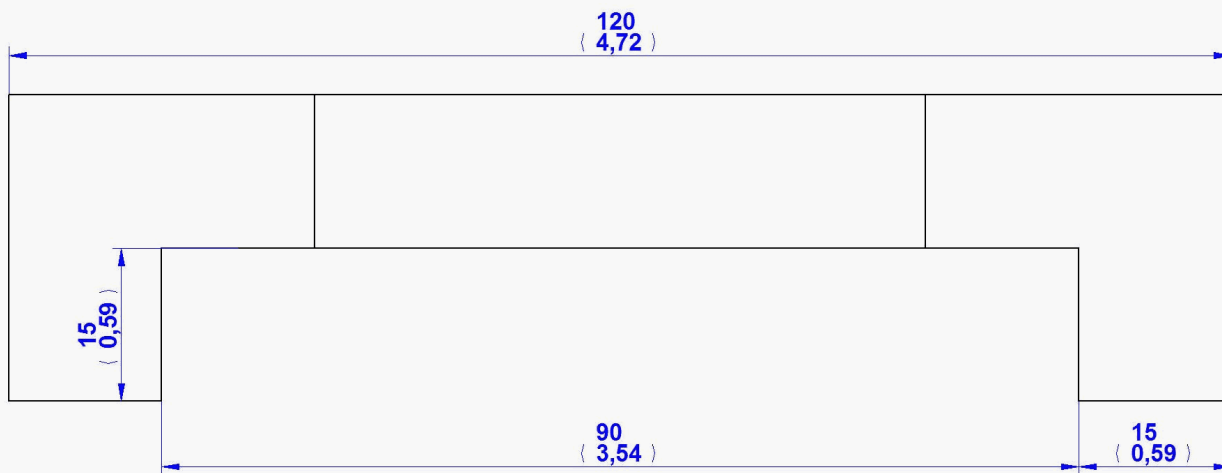
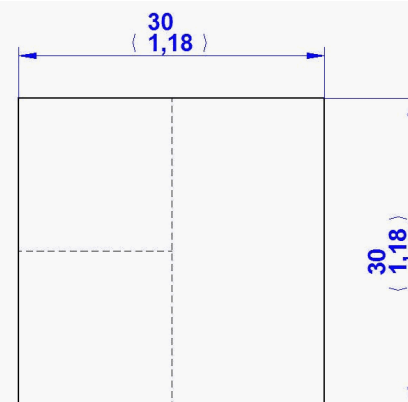
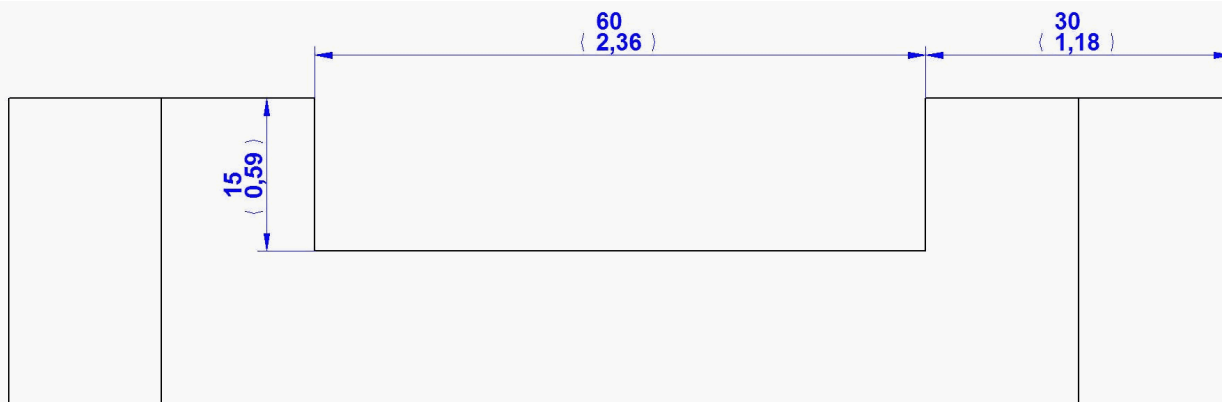


## Eighteen-piece burr puzzle plan

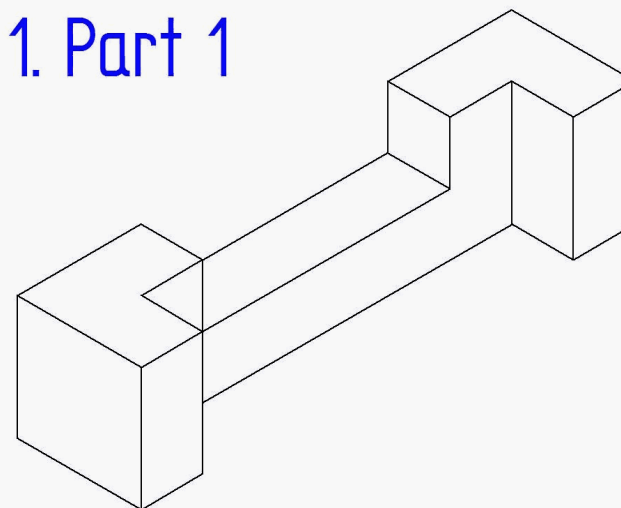


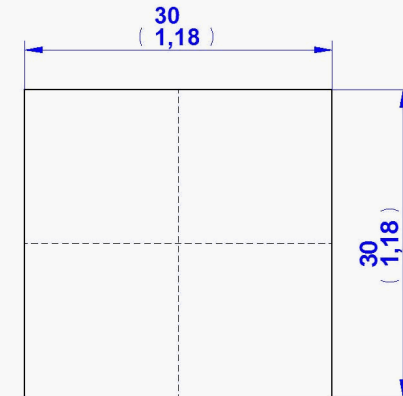
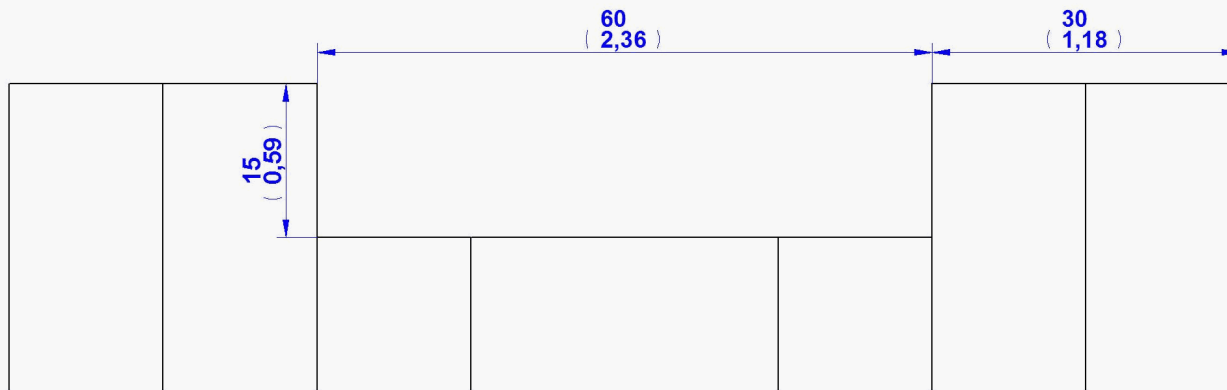
## Parts List



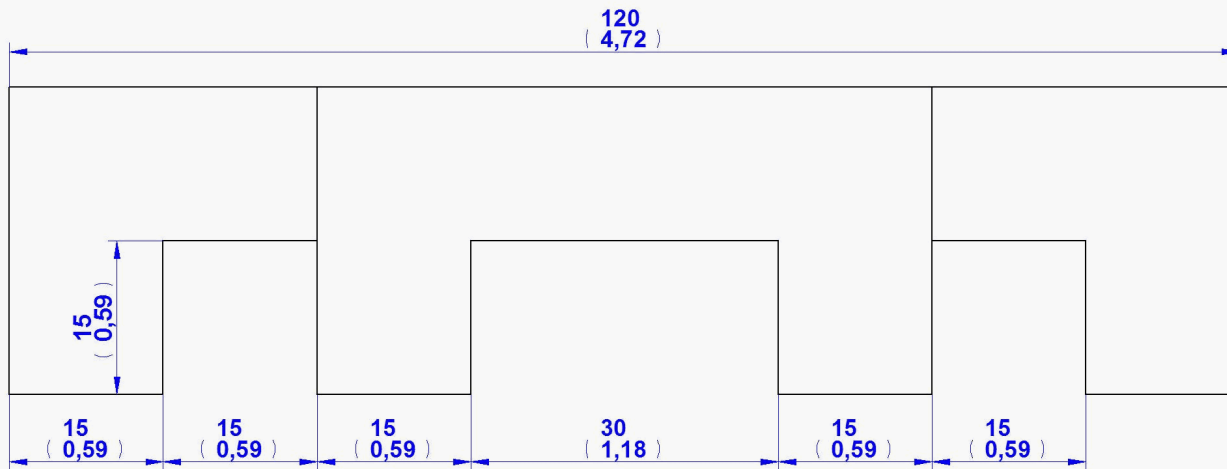
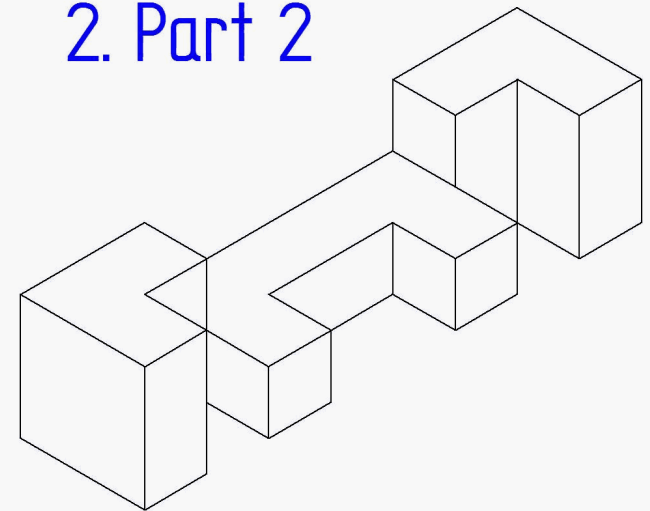


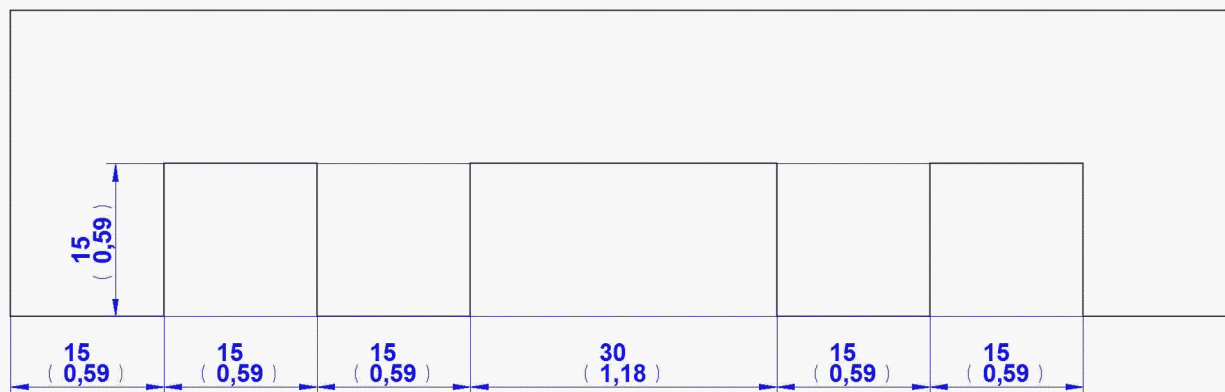
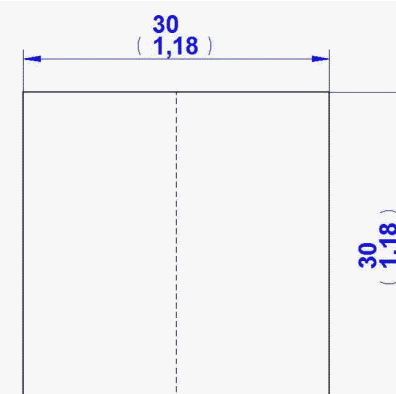
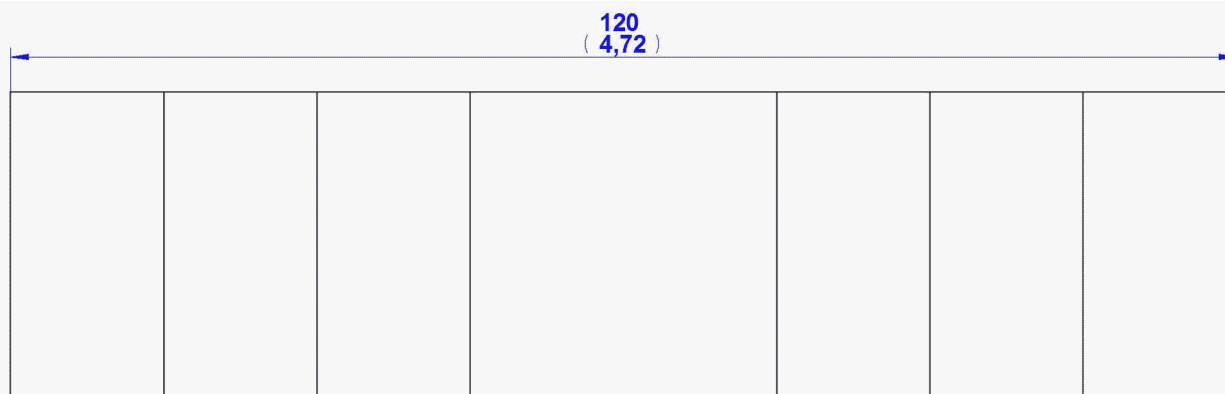
## 1. Part 1



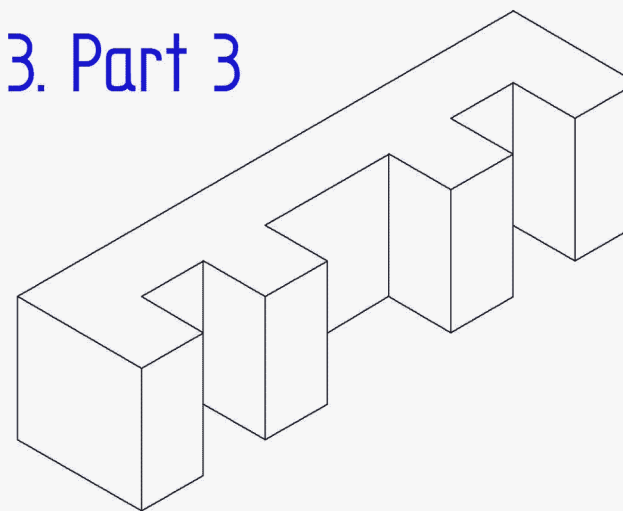


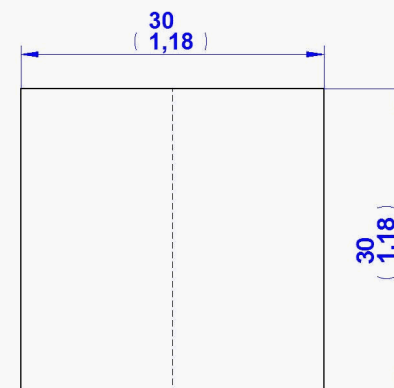
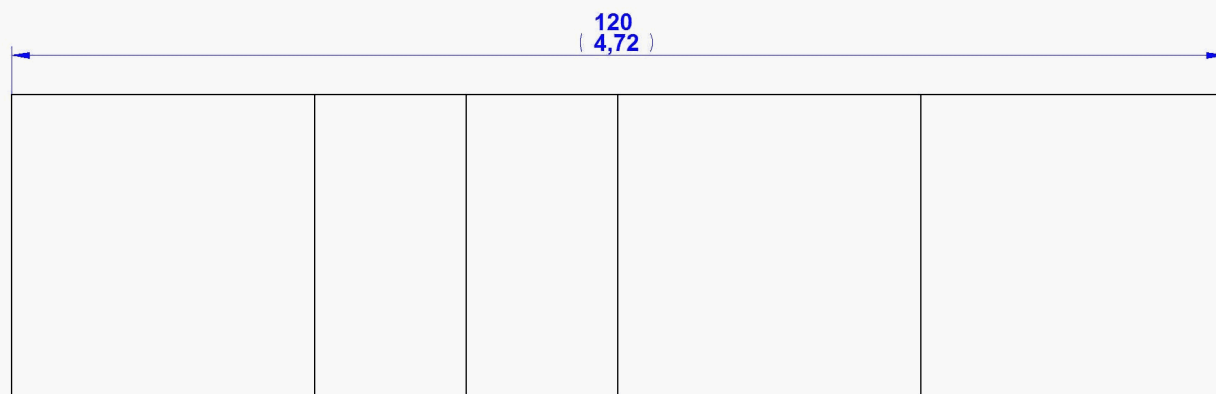
## 2. Part 2



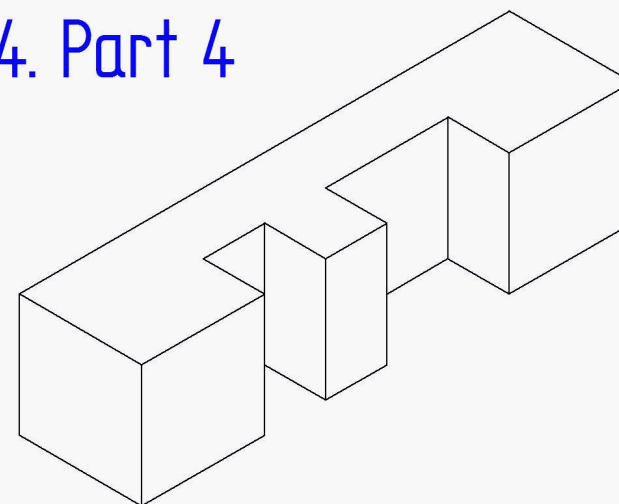
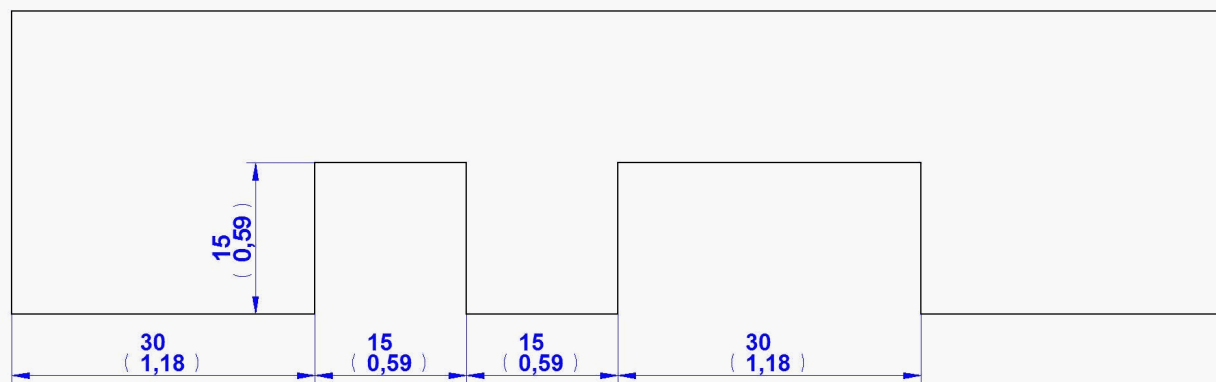


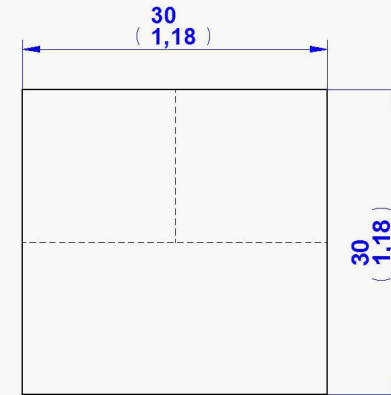
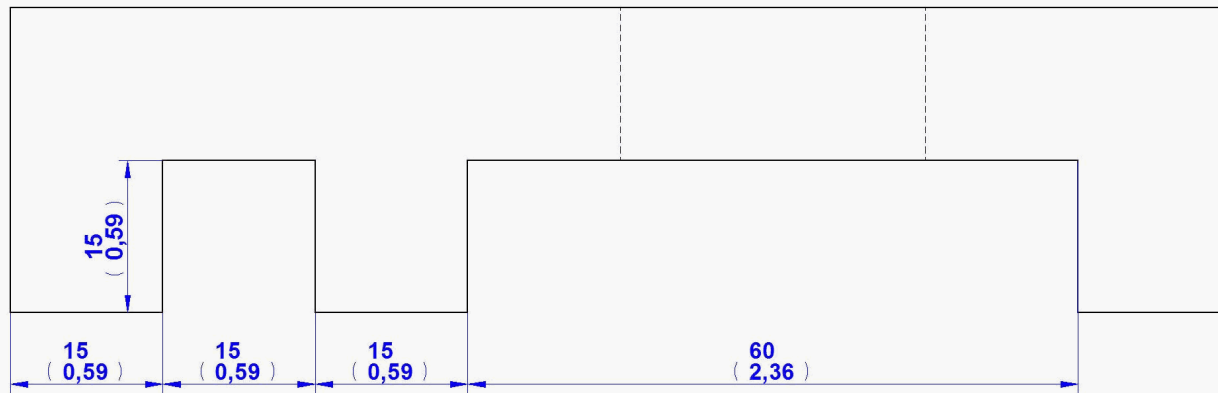
### 3. Part 3



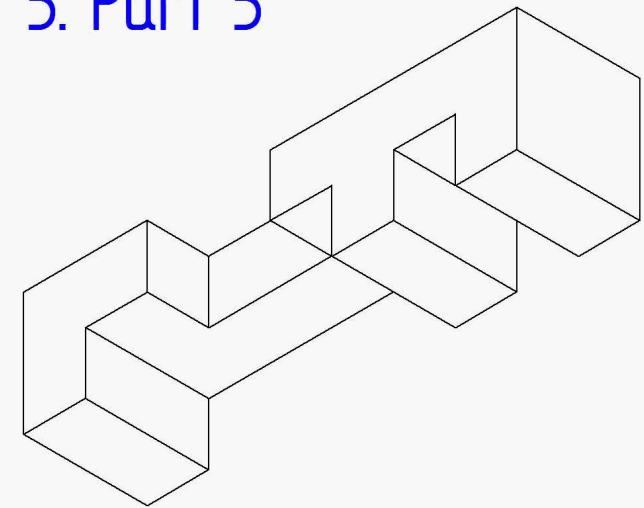
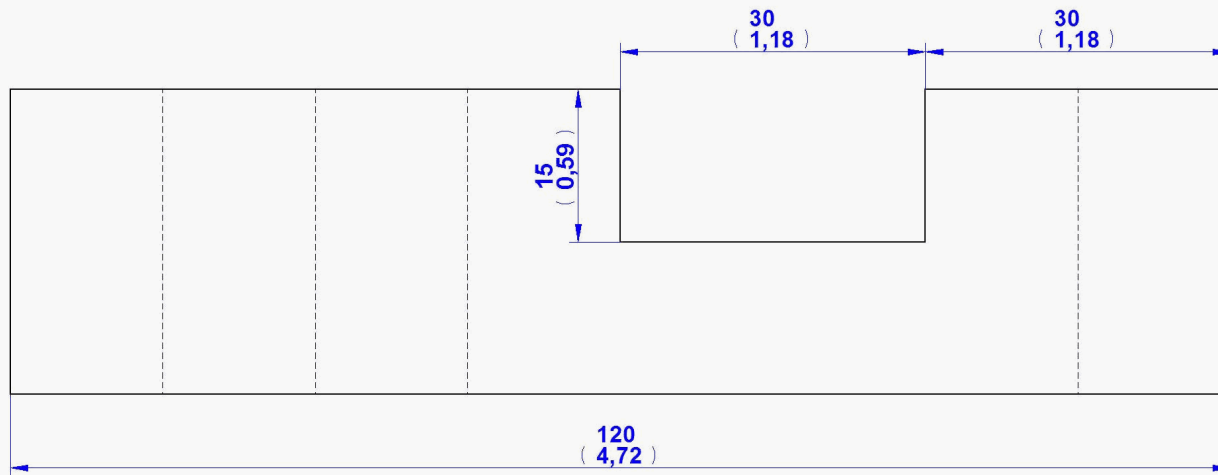


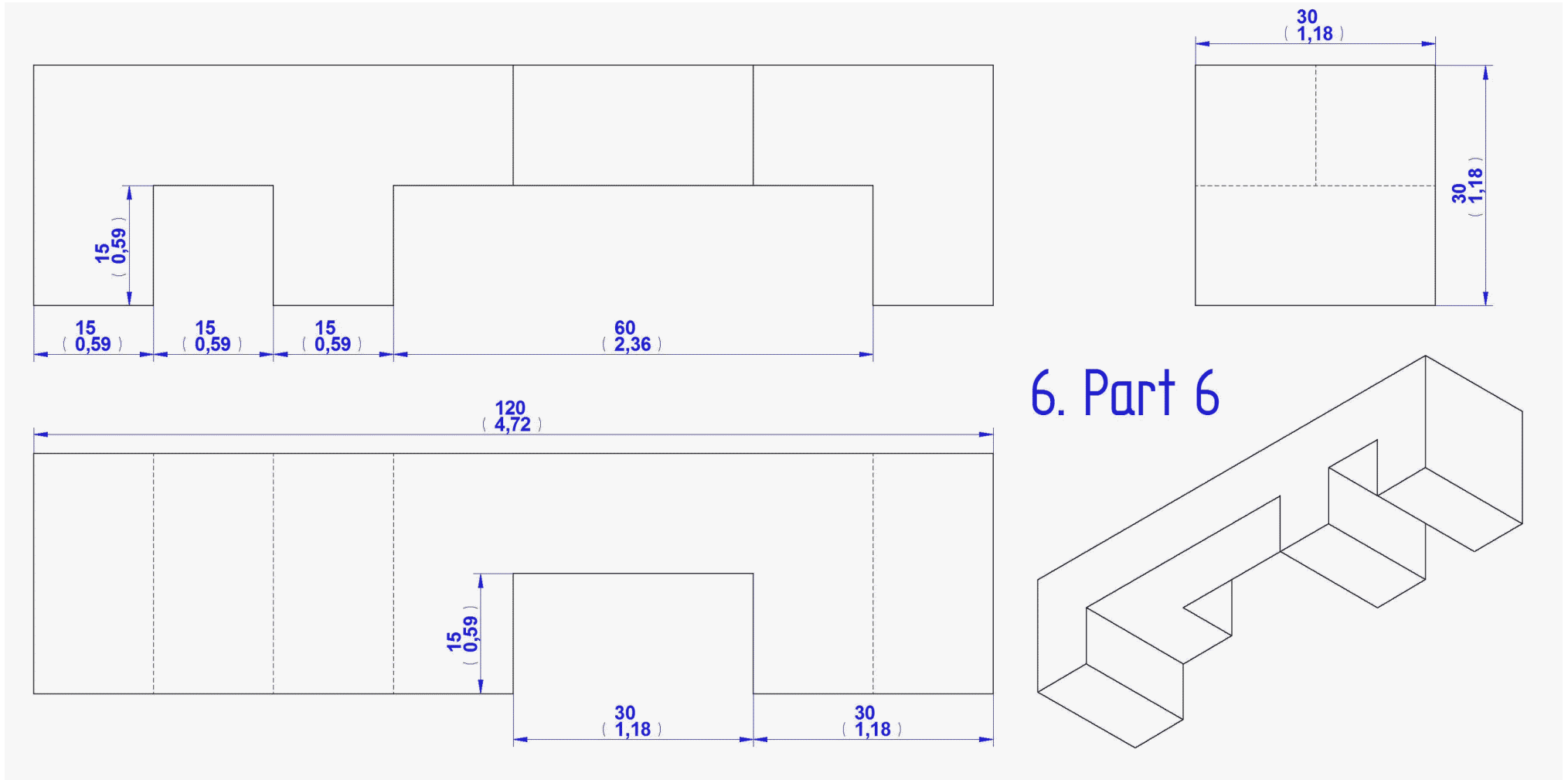
### 4. Part 4



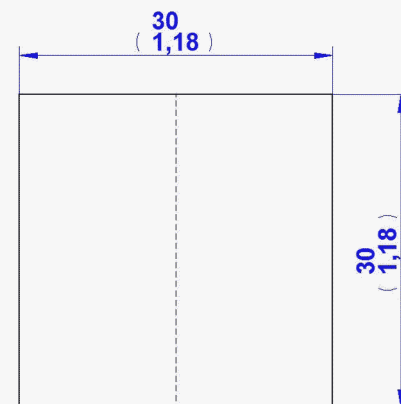
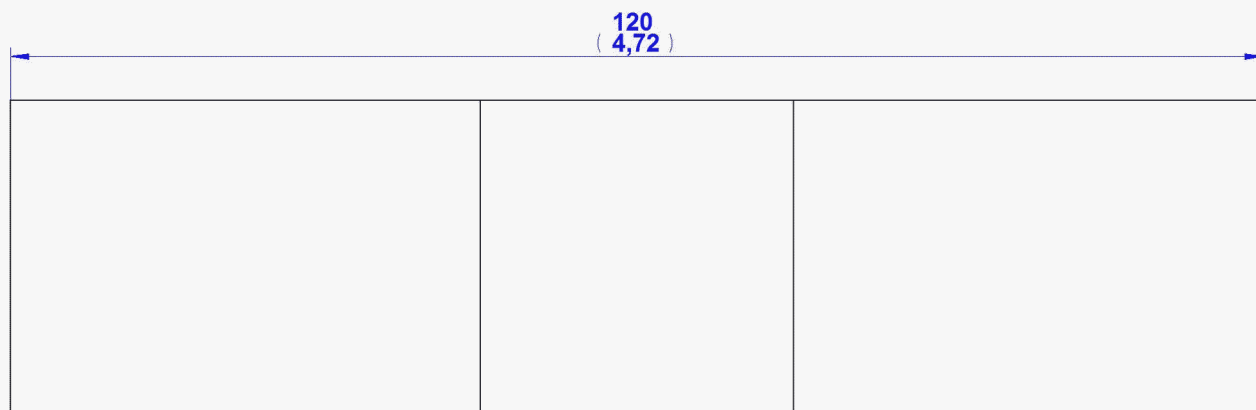


## 5. Part 5

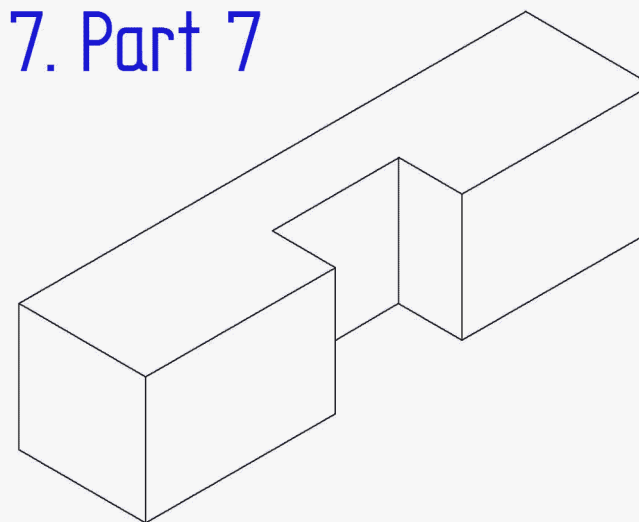
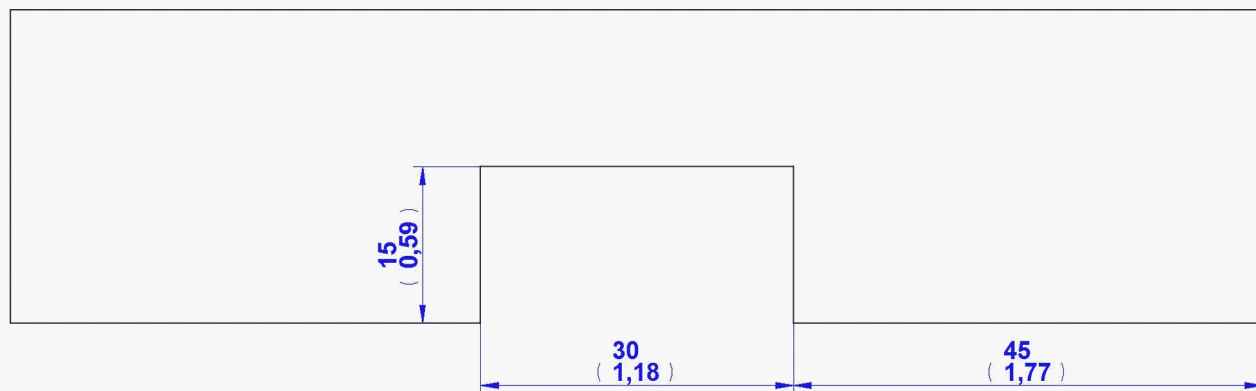


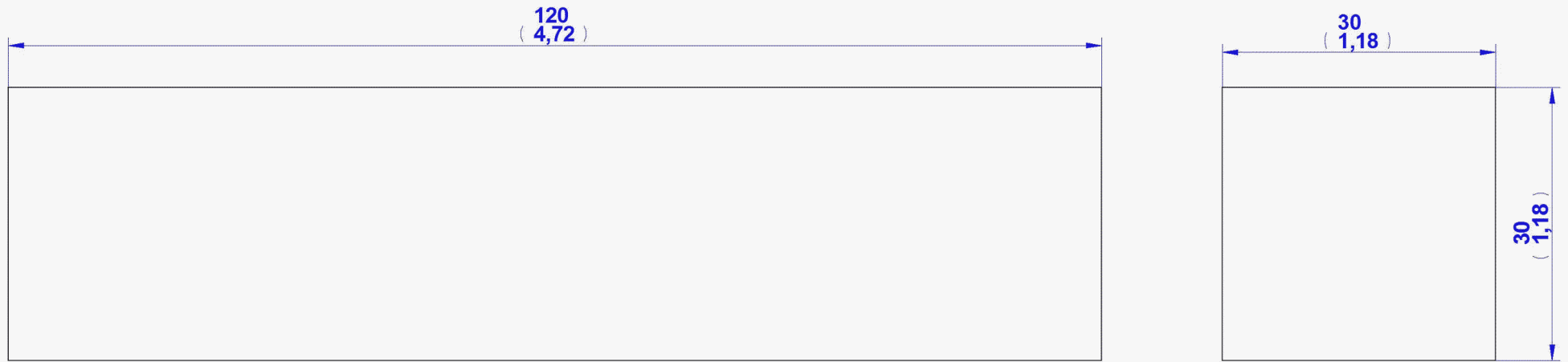




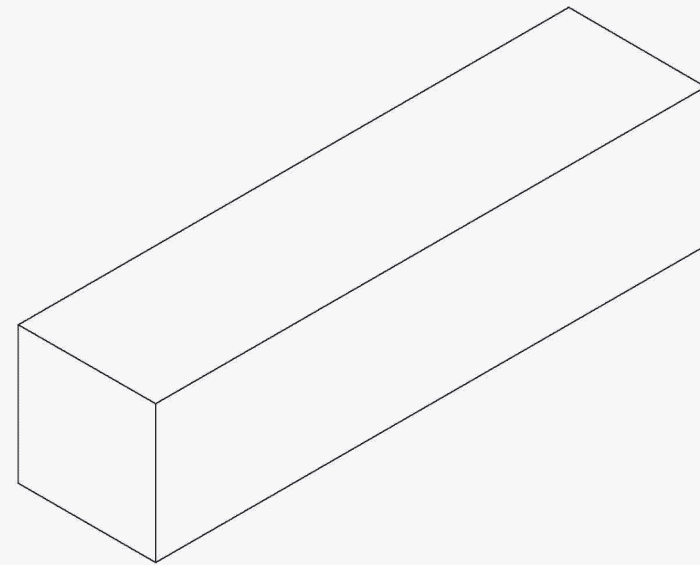


## 7. Part 7



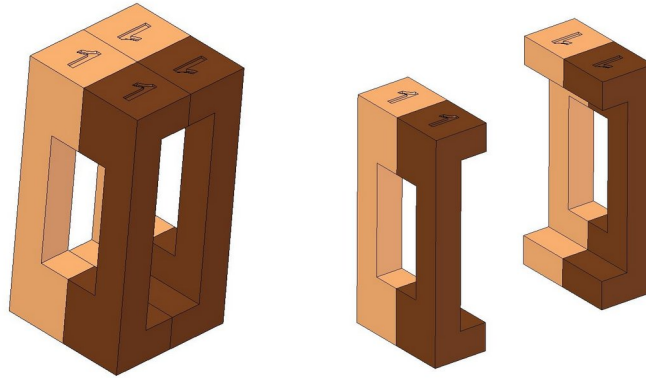


## 8. Part 8

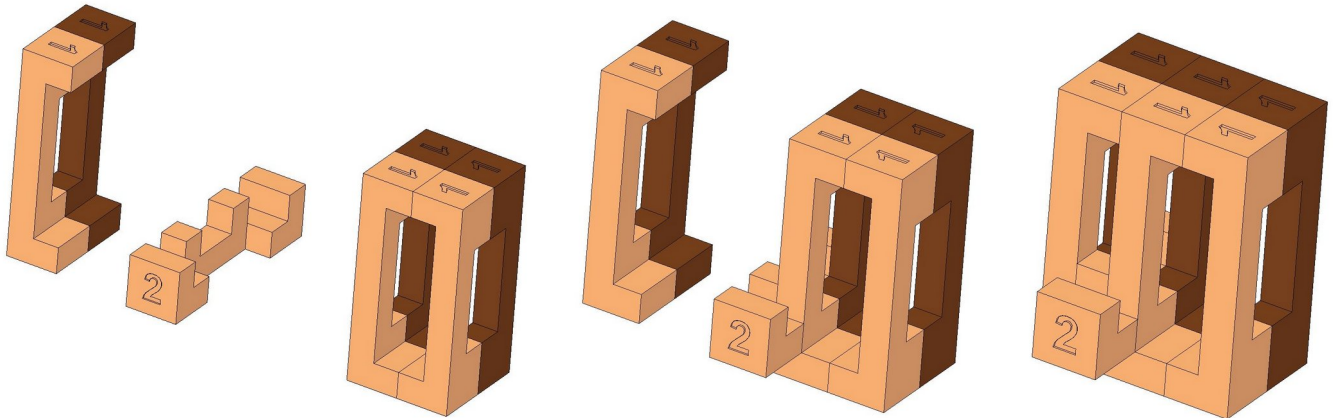


# SOLUTION

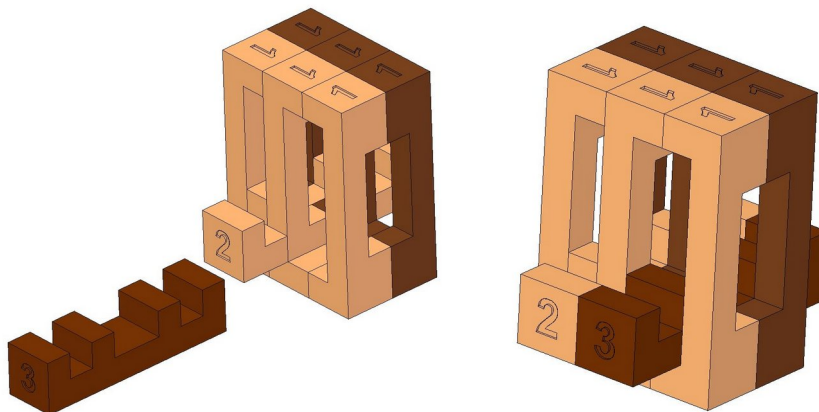
Step 1



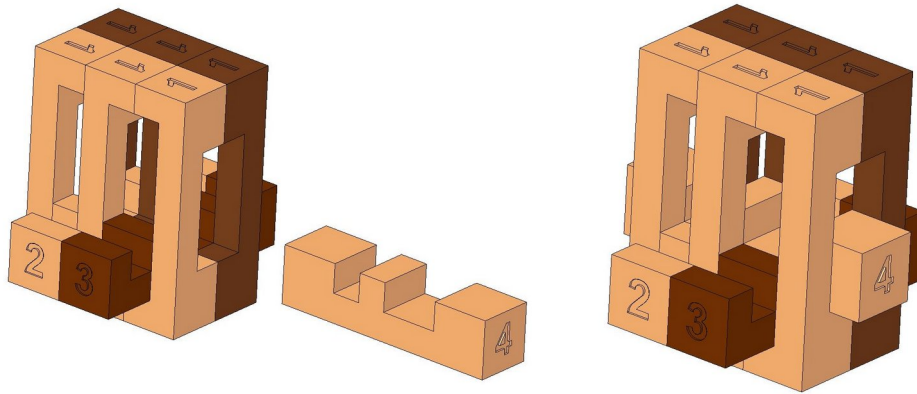
Step 2



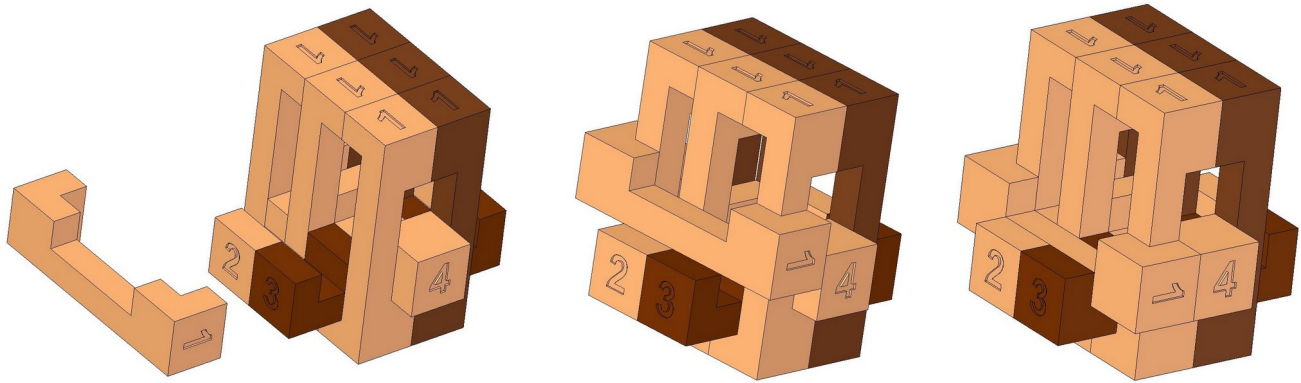
Step 3



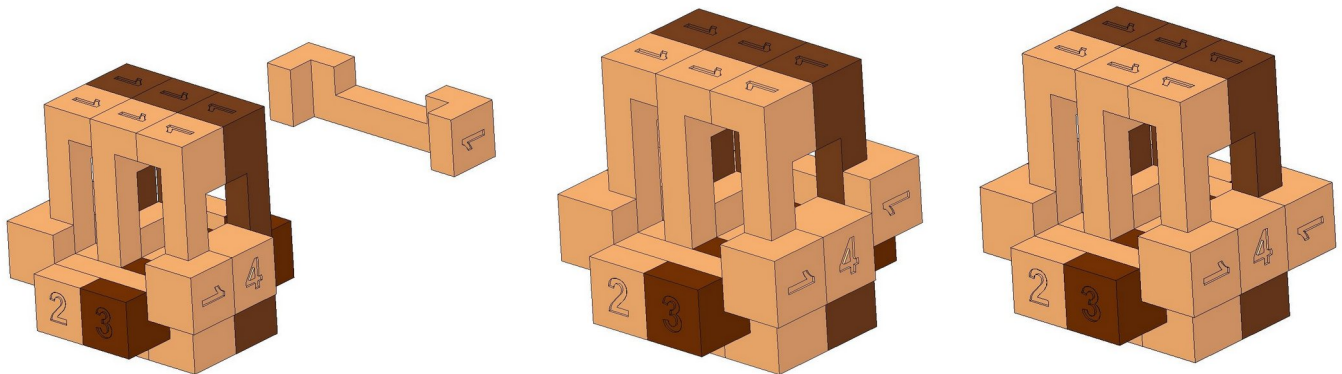
Step 4



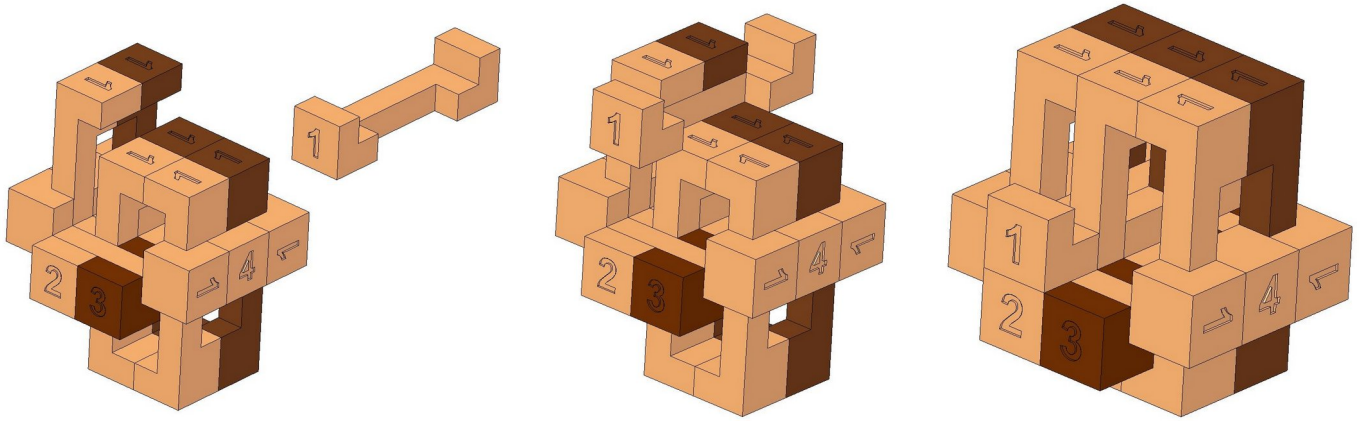
Step 5



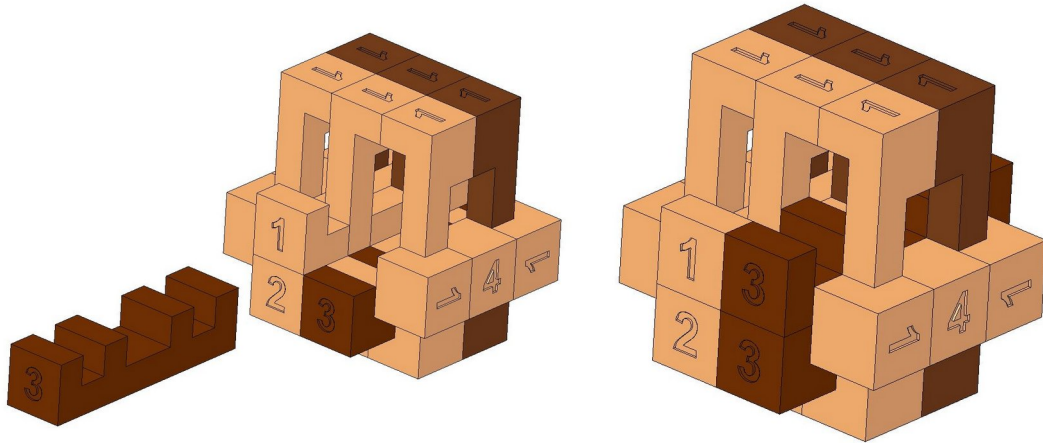
Step 6



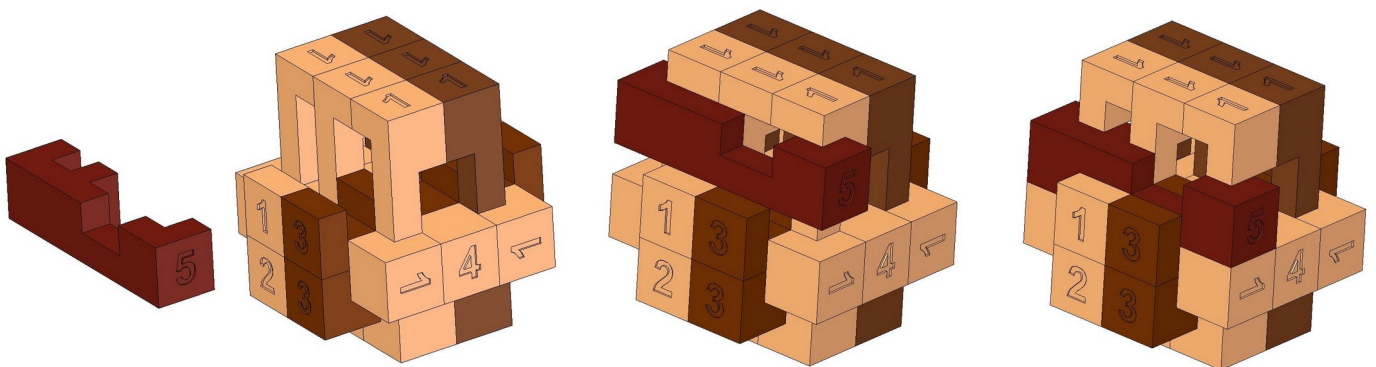
Step 7



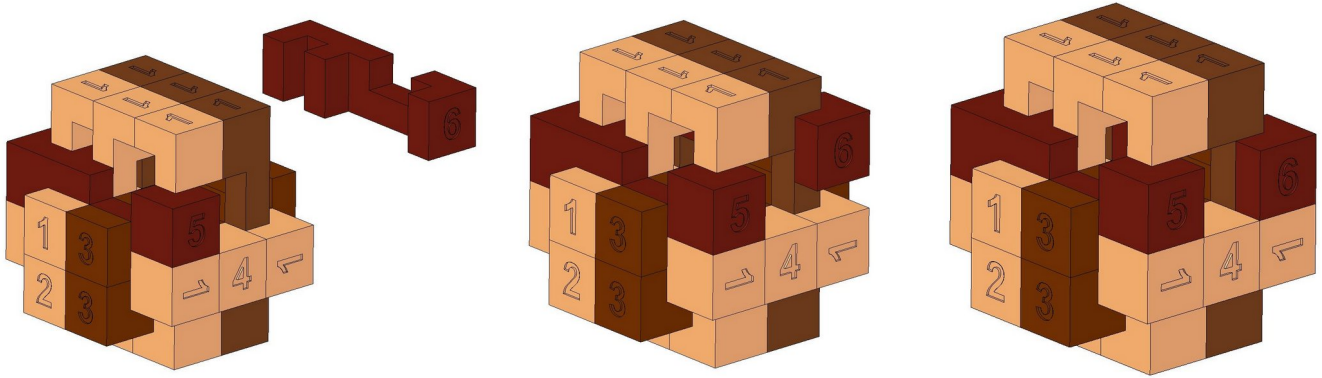
Step 8



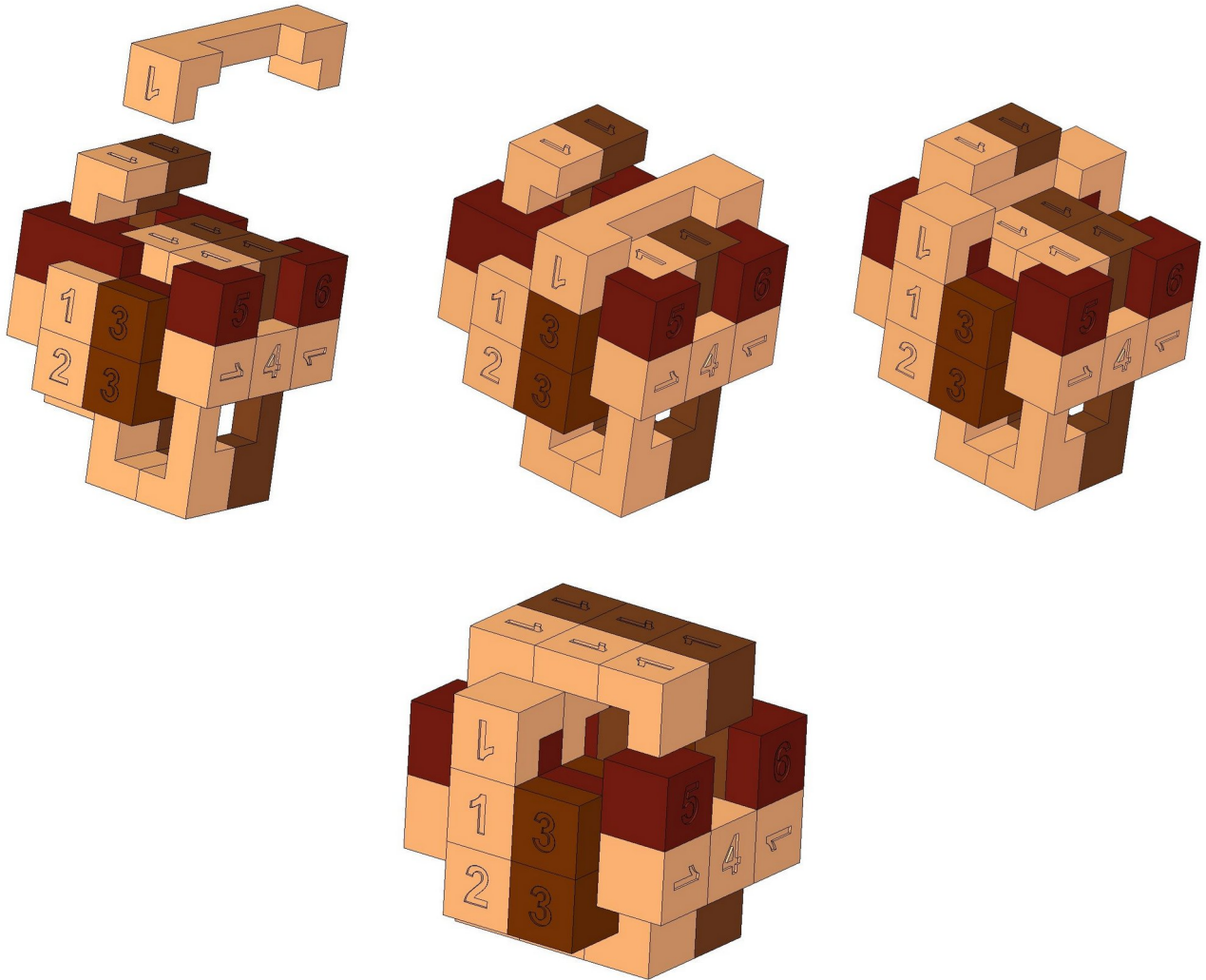
Step 9



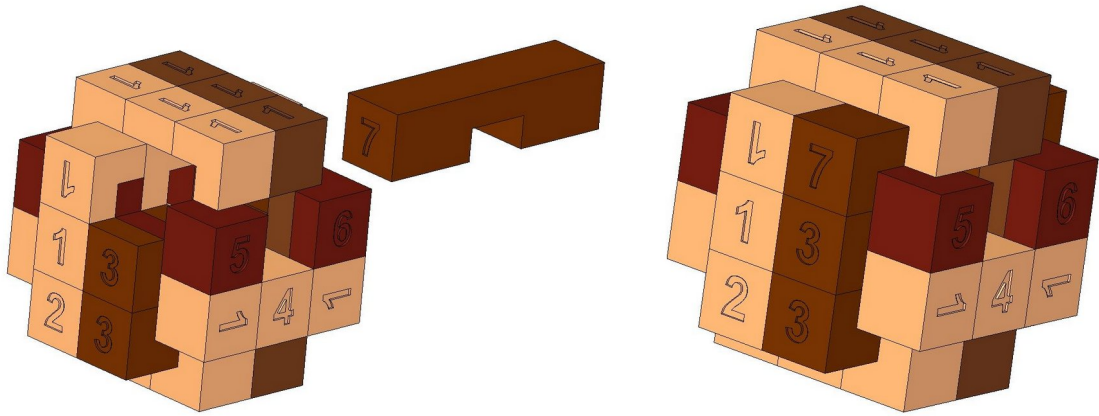
Step 10



Step 11



Step 12



Step 13

