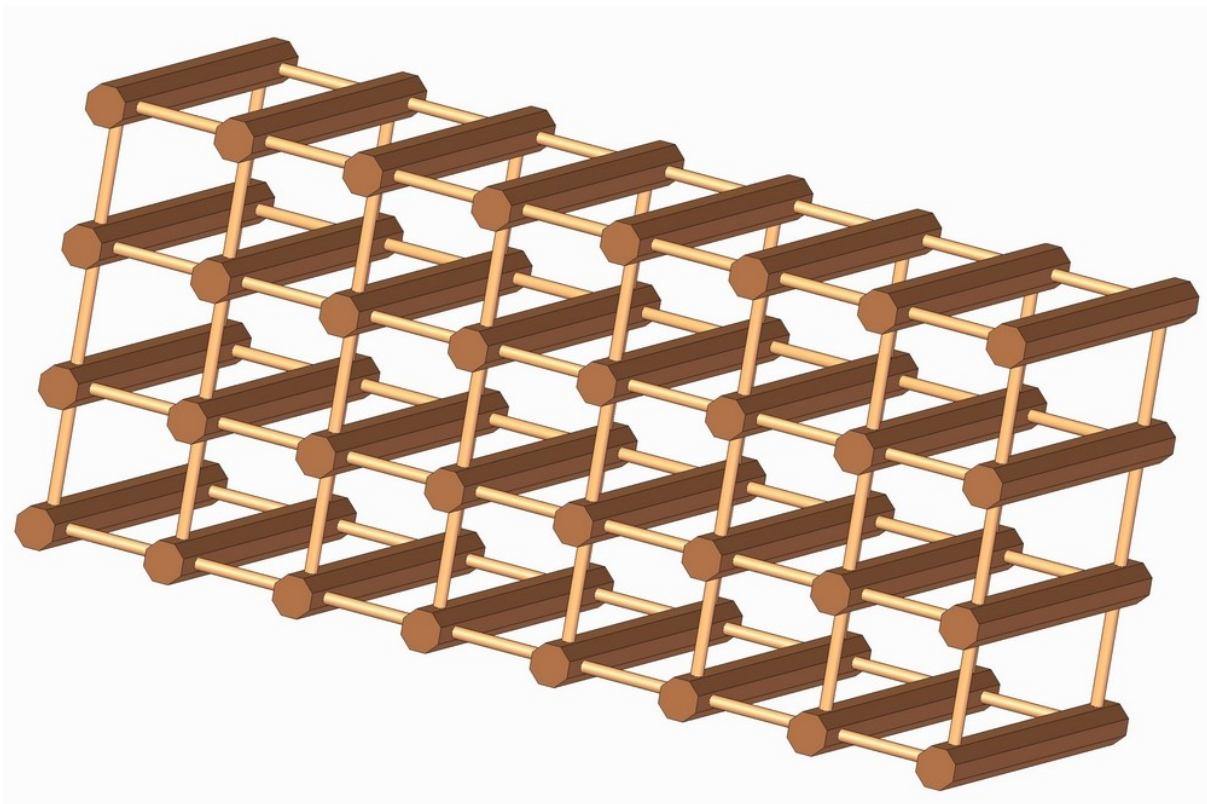


Wooden modular wine rack plan

Admirers and connoisseurs of fine wines find it very important to store their wine collection properly and to always have accessible bottles they require.

Wine rack is very convenient because it does not take up much space, and on the other hand, all the wine bottles that you put into it are accessible and visible, so you do not have to look for the one you wanted. You can put the modular wine rack on the small free space available in the kitchen, living room or behind the bar. It will also look very decorative if you put it on some visible place.



This wine rack is exceptionally easy to manufacture and assemble. The goal of our plan is to give you an idea and basic instructions for the construction solutions, and from this point on it all depends on your imagination. Our plan consists out of 21 (3x7) cells, but its design allows you to adjust the number of cells as well as the height and width of the wine rack to your needs. Shape can be rectangular, triangular, or it can have whatever shape you like, but because of its main purpose – to hold the glass bottles with wine that can together have significant weight – we recommend you not to make high wine rack, because this will decrease its overall stability and overload the lower rows of construction, which may cause construction to crack. The strength of construction can be increased if you make the rails (part 2) and supports (part 5) out of the metal, or if you put 3 instead of 2 rails and support parts in the lower rows of construction. Also, the parts we named “body” does not have to be octagonal, instead they can be built in a cylindrical or rhombus shape.

Since various shapes of wine bottles can be found on the market, we recommend you to simply adjust dimensions for the body and support parts to the bottle type respectively to the bottle dimensions that you plan to store on this wooden wine rack. You should keep in mind that the horizontal support of the bottle should be on the body parts and not on the support parts, so the distance between the body parts should be 5-10 mm narrower than the diameter of the

bottle. When the wine bottle leans on the body parts it eliminates the risk of bottle slipping out of the cell.

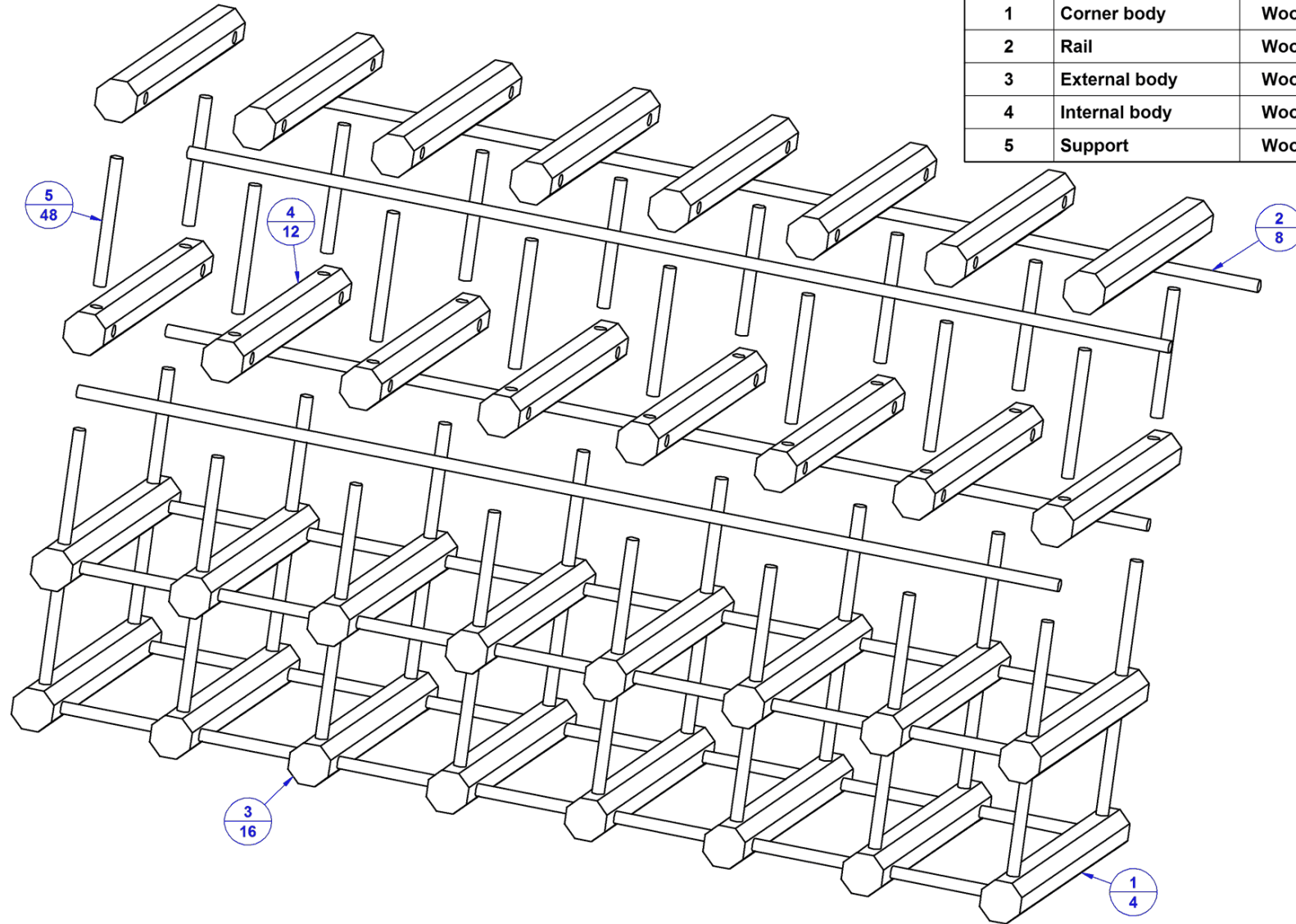
Modular wine rack can be made out of any kind of wood, which means that you can try different types of wood, so you could achieve an interesting combination of colours – whether you wish to keep the wood natural or you would like to paint it according to the colours of your interior. We recommend usage of harder types of wood that are not prone to cracking, because we should not forget that the content of the wine rack – wine bottles, will be several times heavier than the wine rack itself. Therefore, we recommend that you always fill up the lower rows first, so the wine rack will stay as stable as possible.

These days wine bottles with different dimensions can be found, so the dimension of your wine rack units will depend on the wine you are planning to collect. And further more, you can make this modular wine rack not just with diverse unit dimensions, but with a form also.

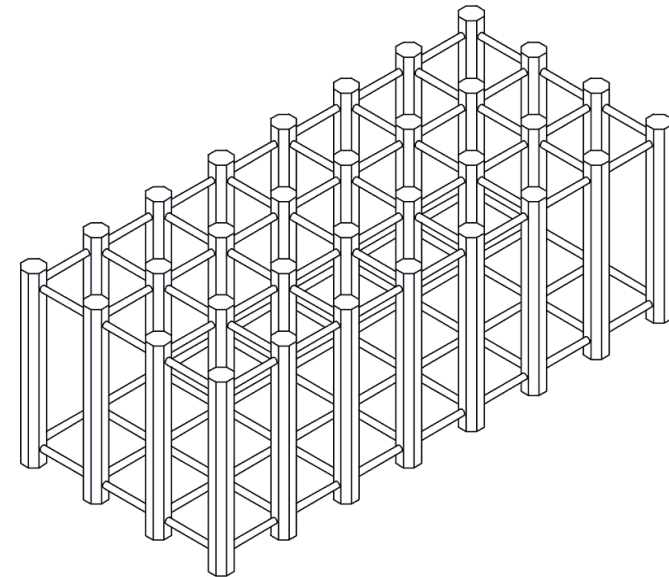
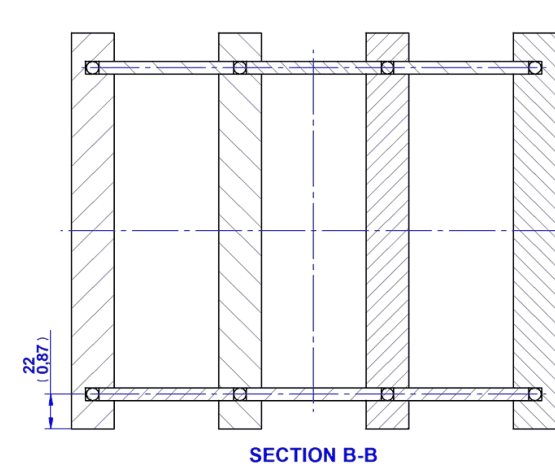
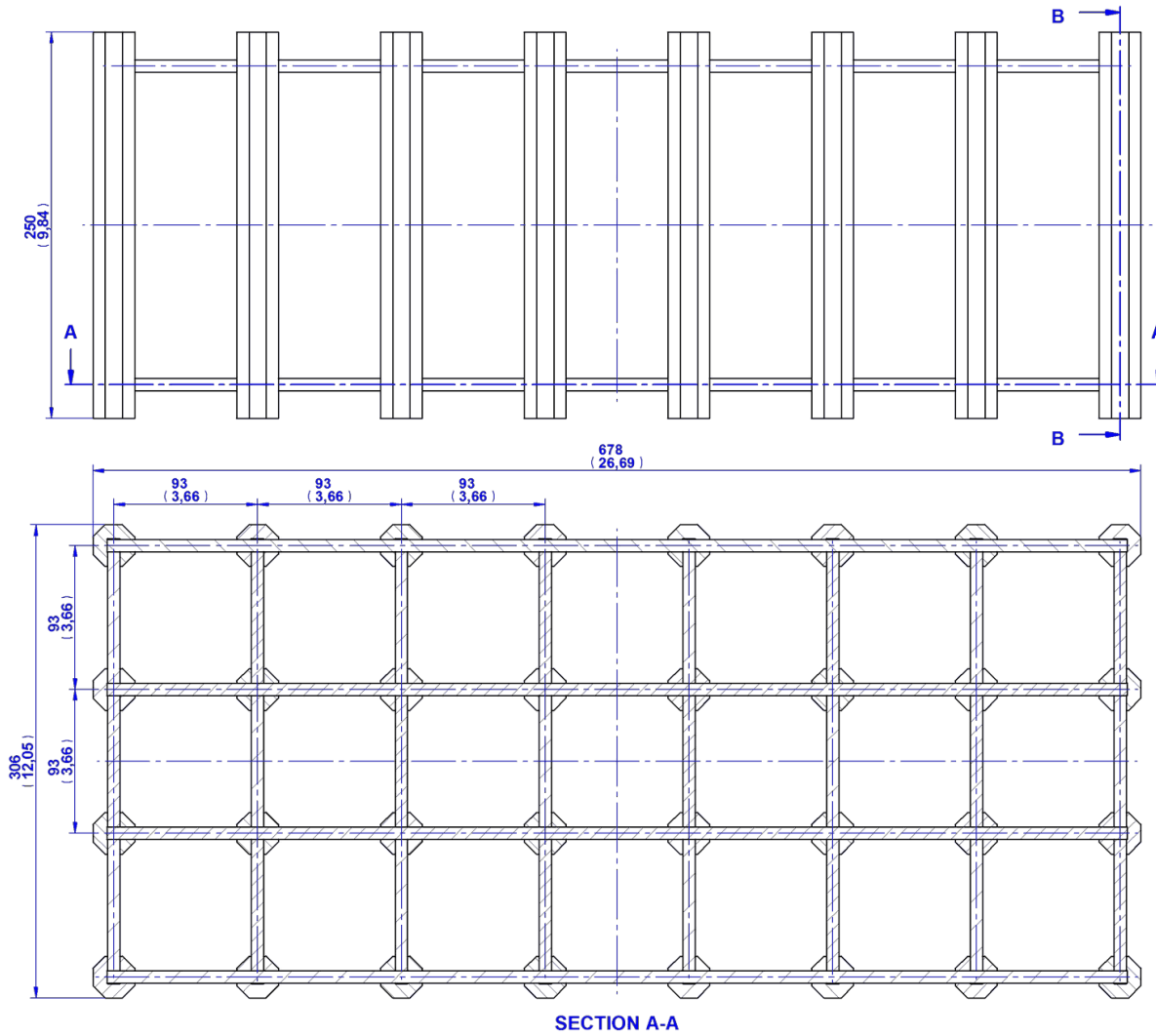
The measurements are given in millimeters, while the measurements given in inches are in brackets (1 inch = 25,4 mm).

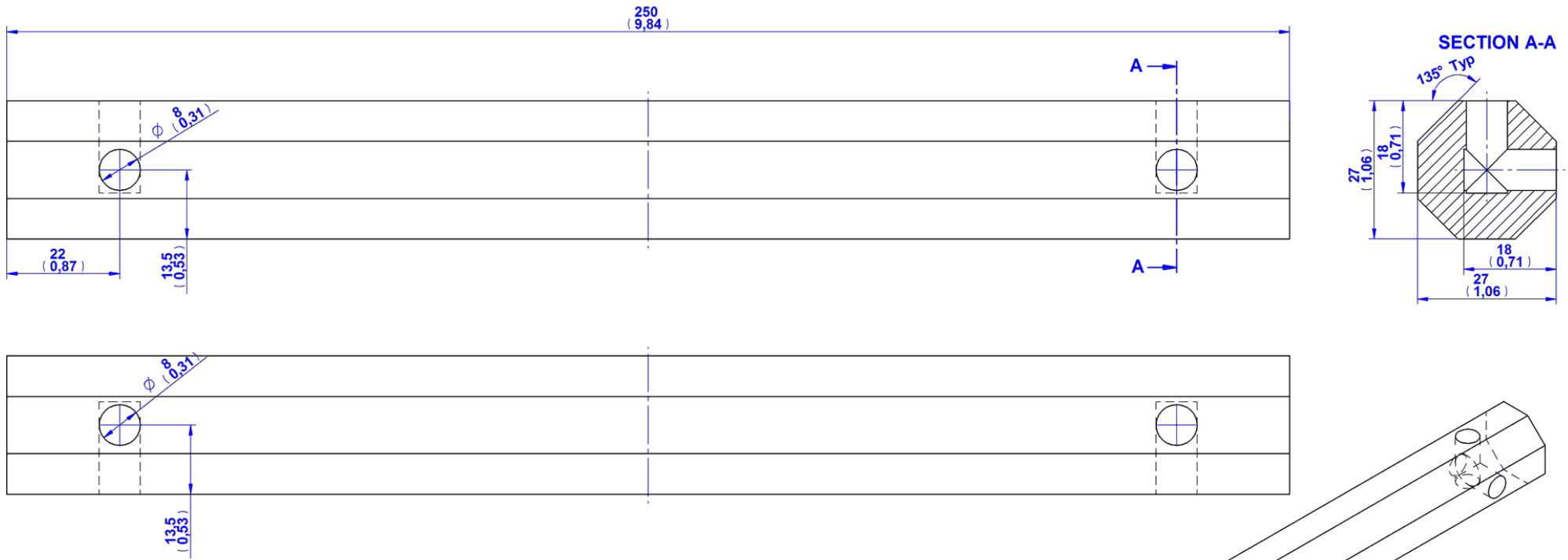
Wooden modular wine rack – Parts list

Item Number	Title	Material	Quantity
1	Corner body	Wood	4
2	Rail	Wood	8
3	External body	Wood	16
4	Internal body	Wood	12
5	Support	Wood	48

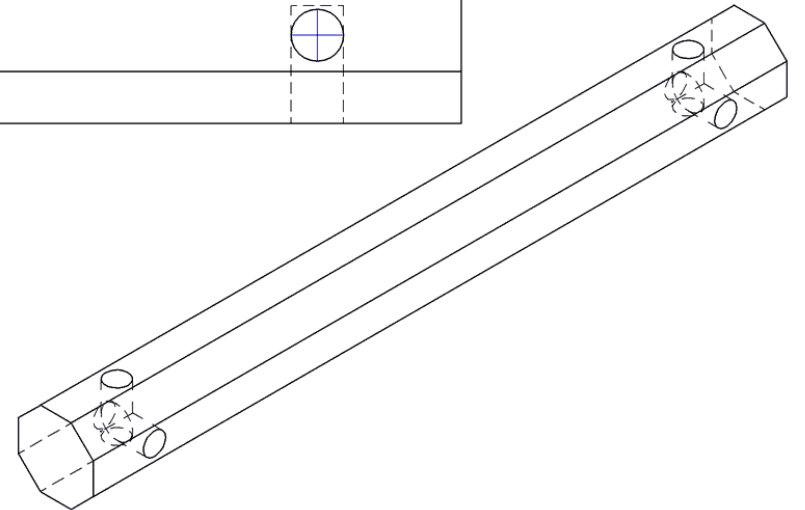


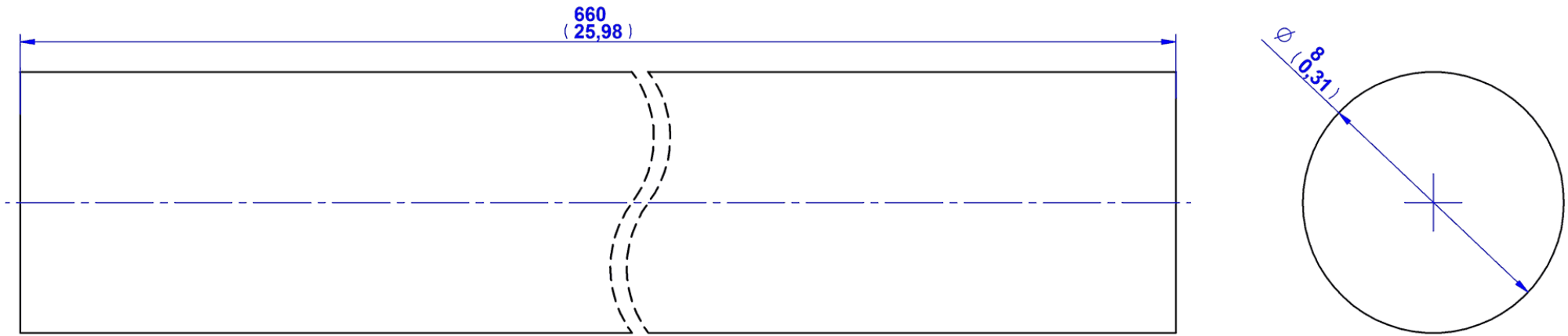
Wooden modular wine rack – Assembly 2D drawing



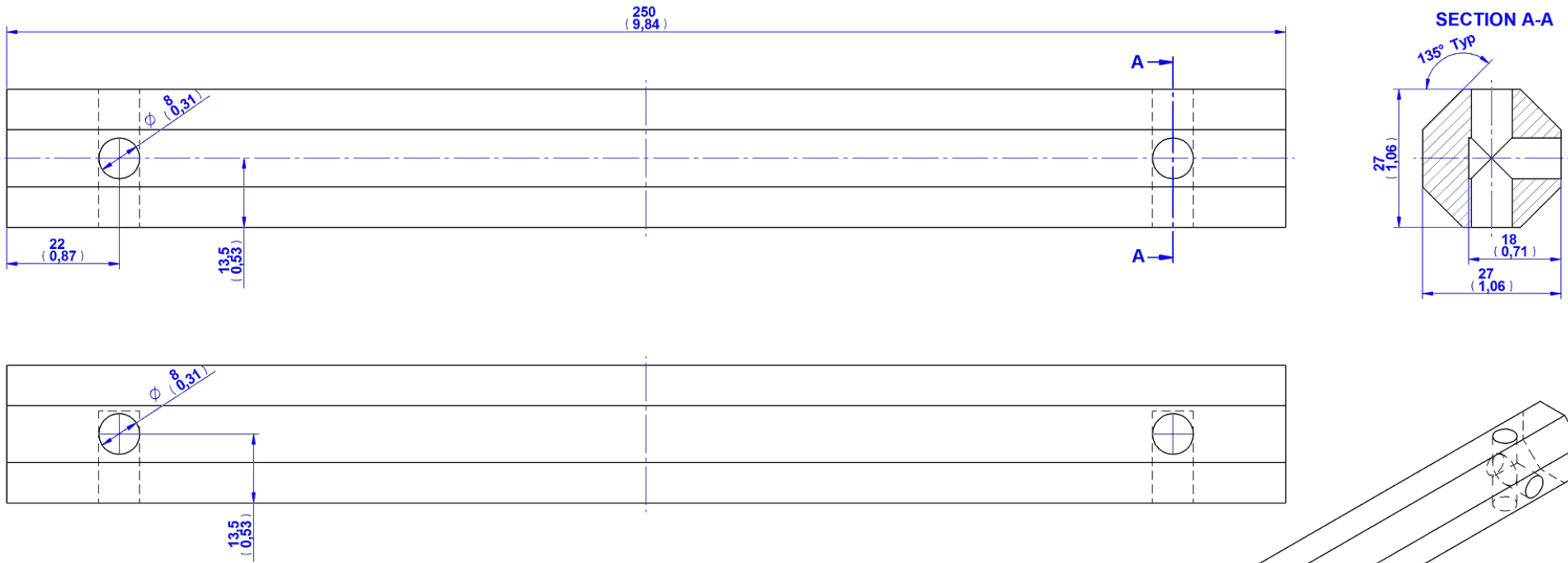


1. Corner body

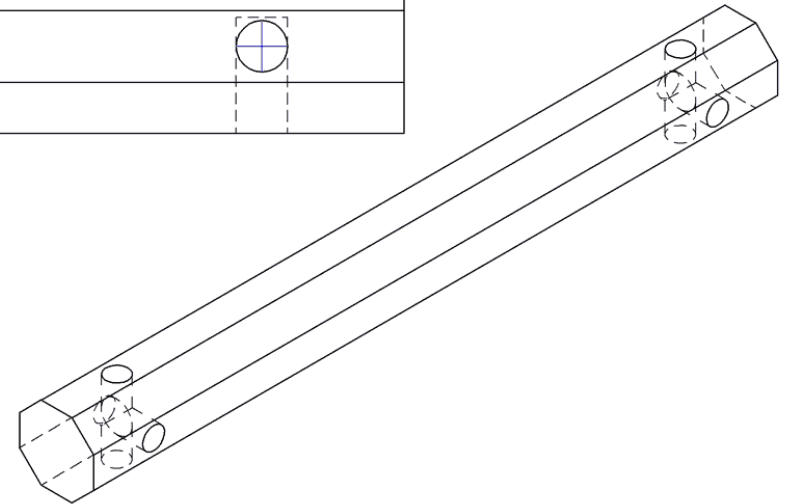


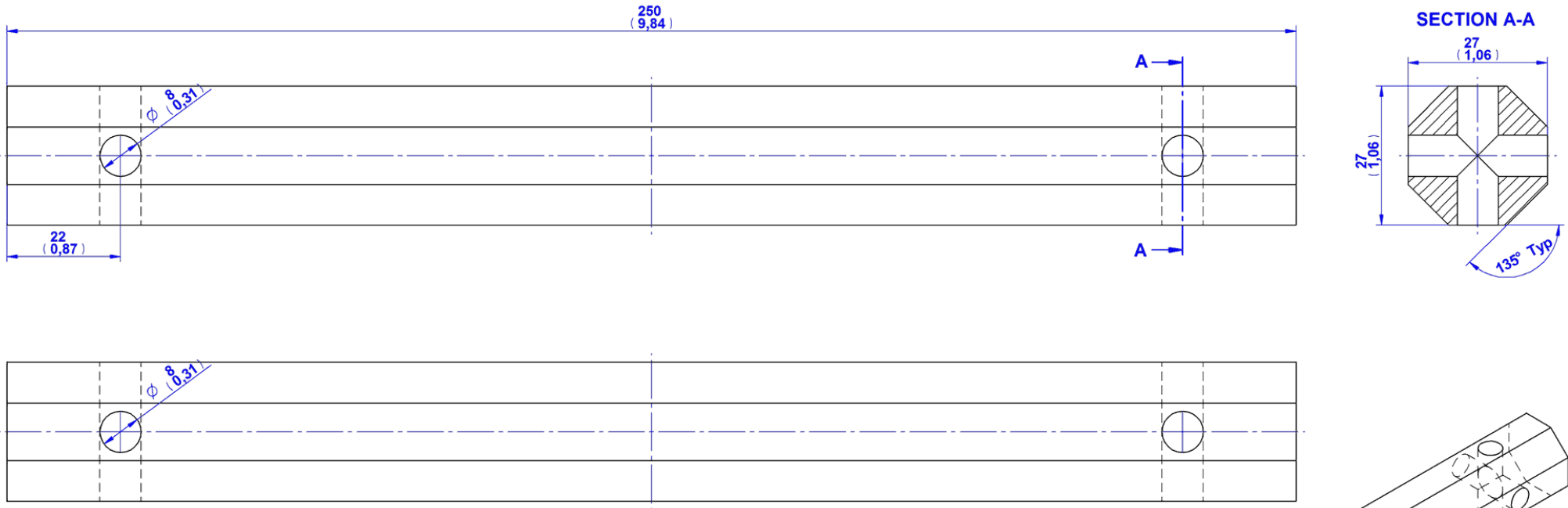


2. Rail

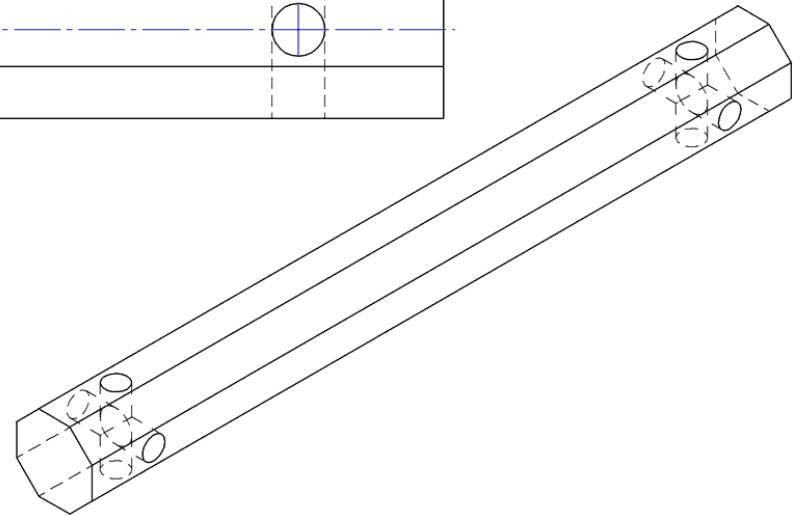


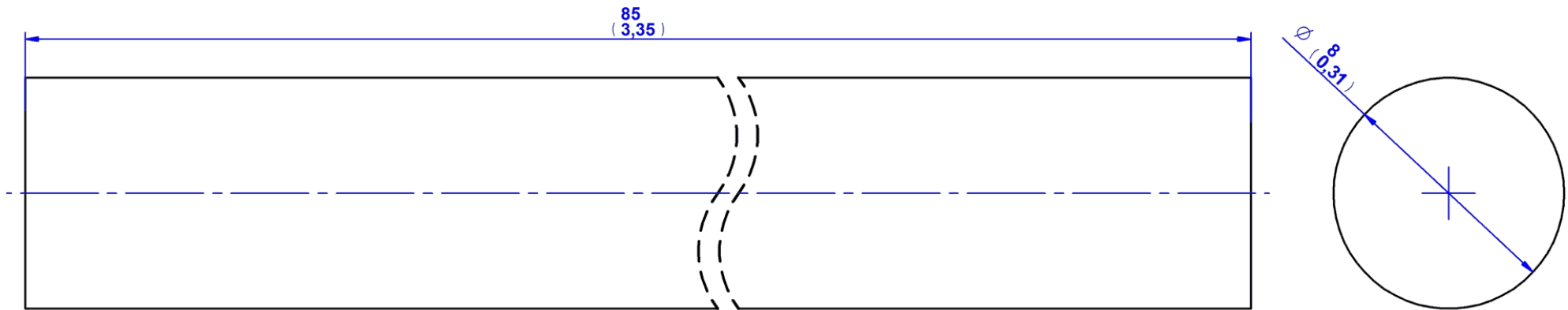
3. External body





4. Internal body

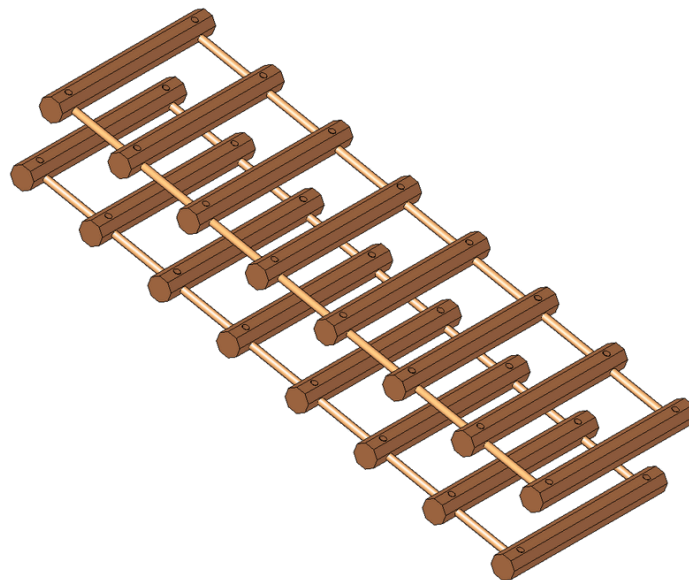
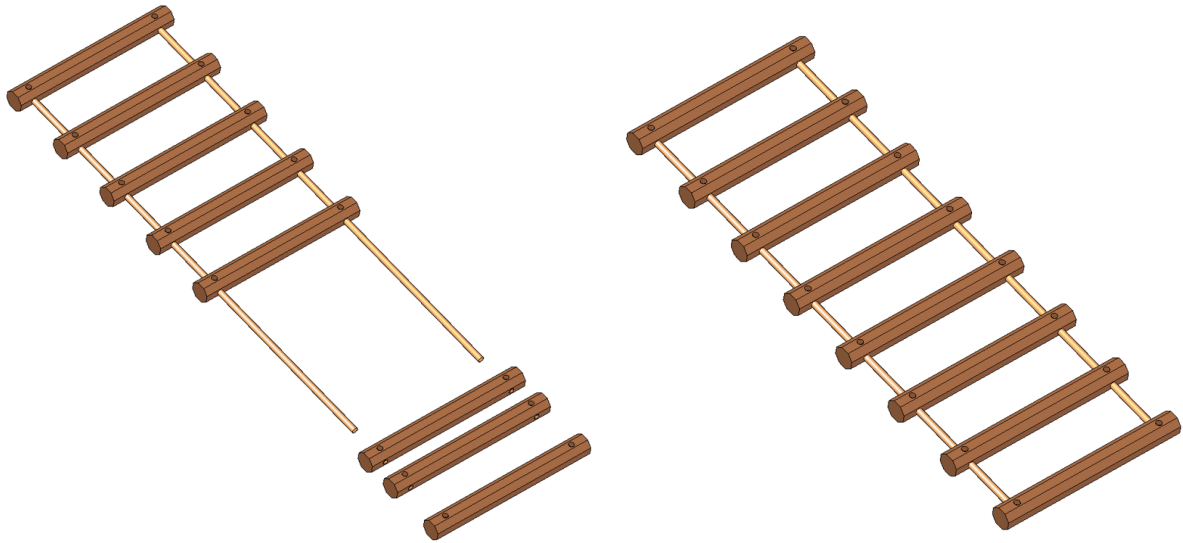




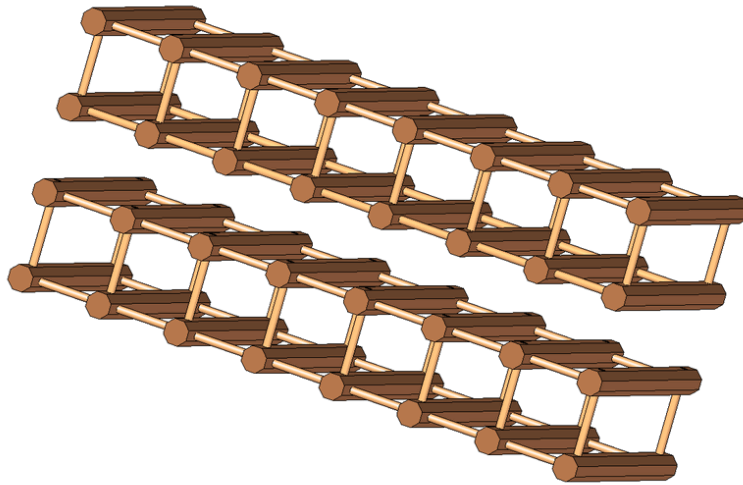
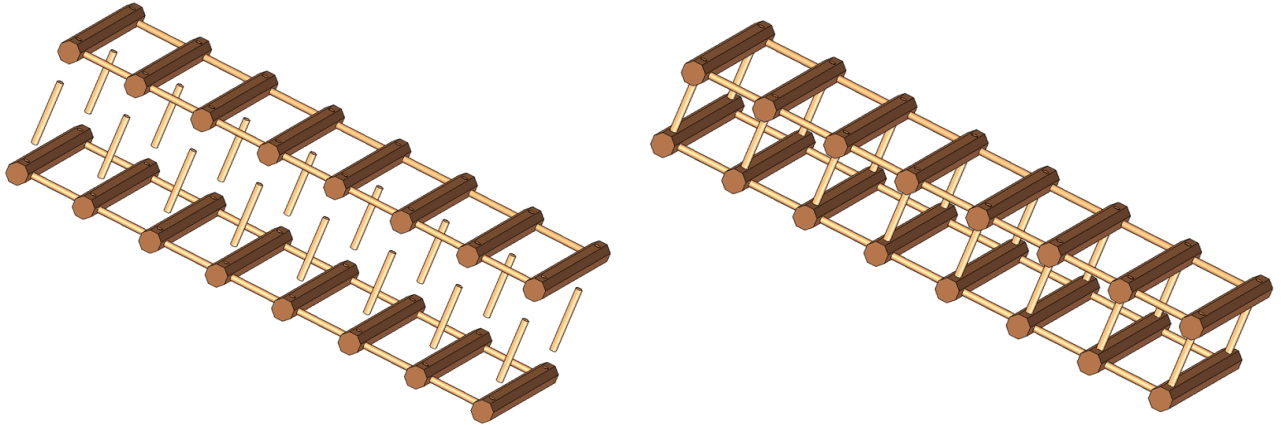
5. Support

Assemblage images

1.



2.



3.

