

Abacus plans

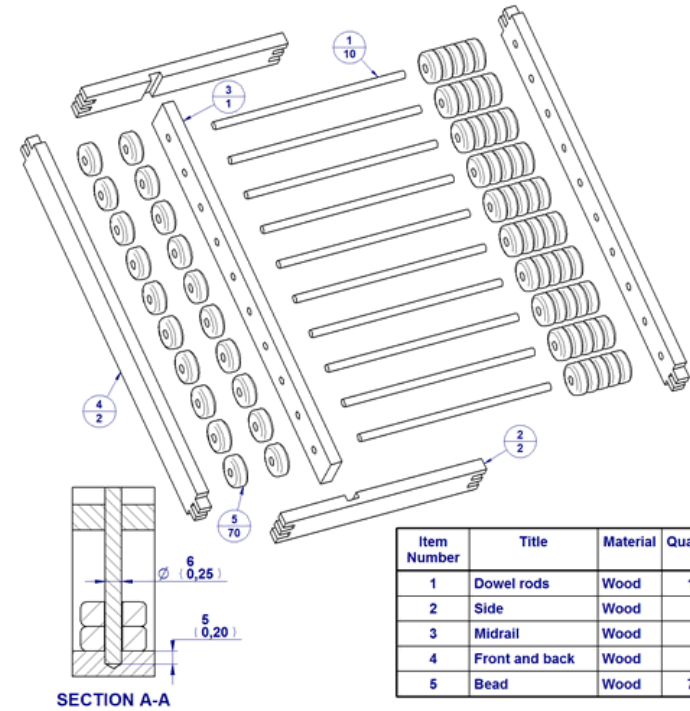
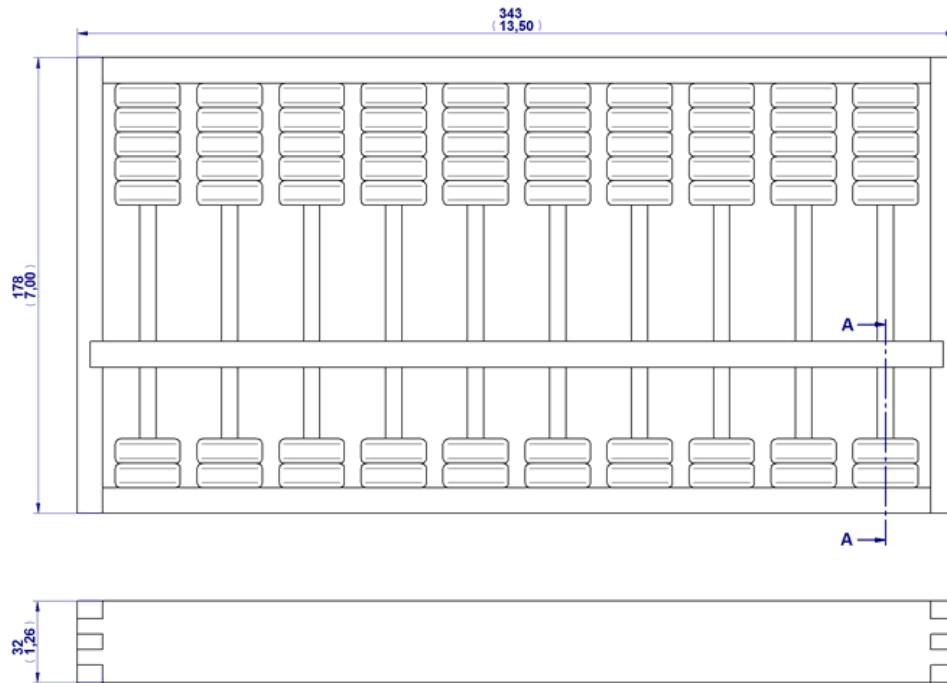
The abacus, also called a counting frame, is one of oldest counting devices. It was developed about 5000 years ago, and it was used by all ancient civilizations. Abacus was used centuries before the adoption of modern numeral system. Abacus consists of wooden frame and rods or wires with freely sliding beads. The beads are usually rounded and made of hardwood or plastic. The beads are counted by moving them towards the rods. Depending of the origin, there are a few slightly different types of the abacus.

Today, abacus is still sometimes used by kids for learning of basic math like add, subtract, multiply, and divide.

Chinese abacus

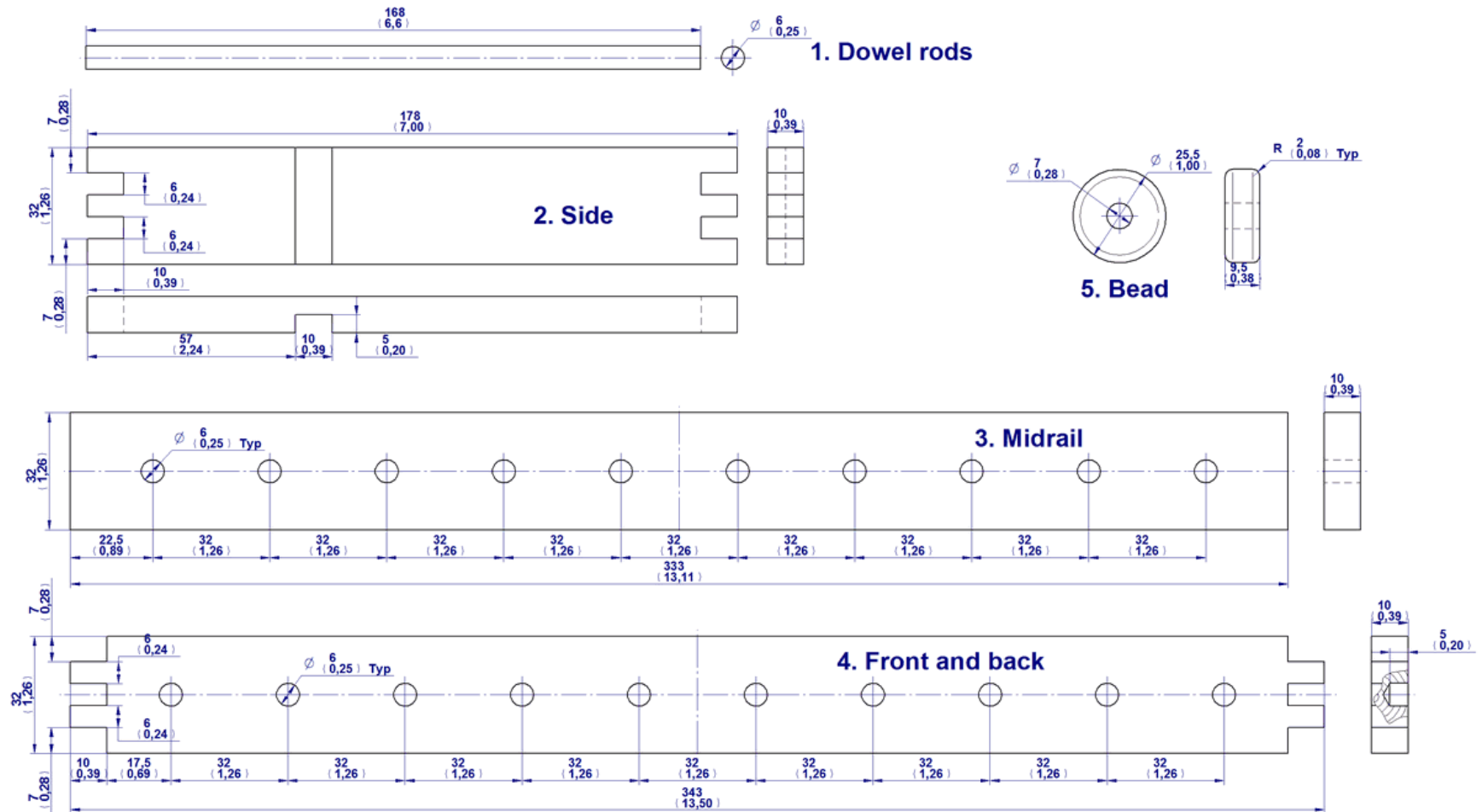


Chinese abacus - Parts list and assembly drawings

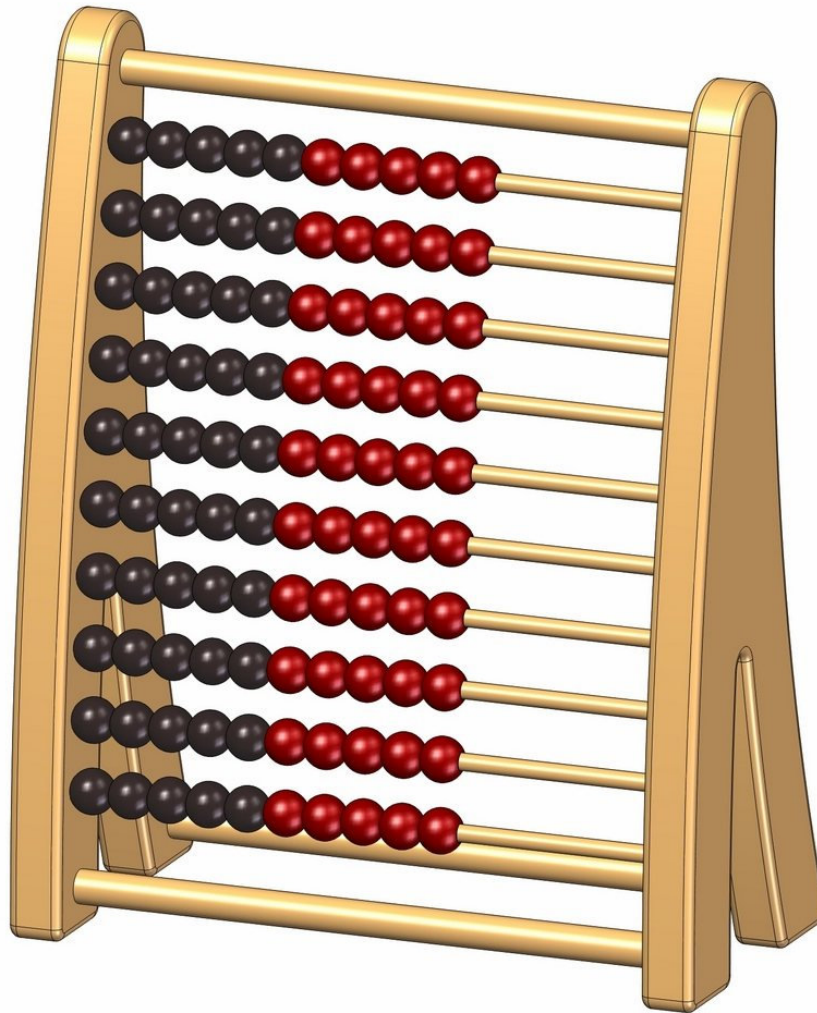


Item Number	Title	Material	Quantity
1	Dowel rods	Wood	10
2	Side	Wood	2
3	Midrail	Wood	1
4	Front and back	Wood	2
5	Bead	Wood	70

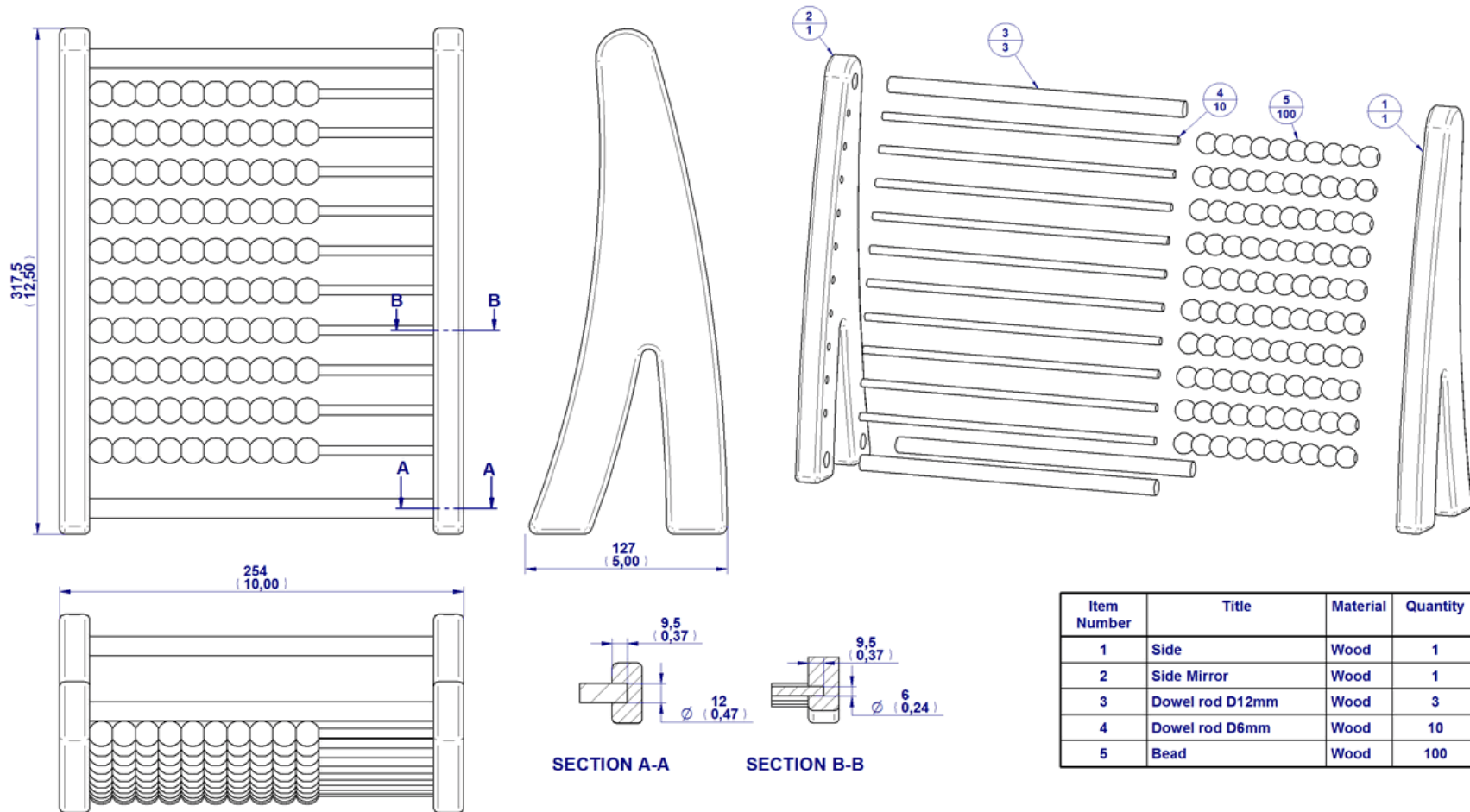
Chinese abacus - Part drawings



School abacus

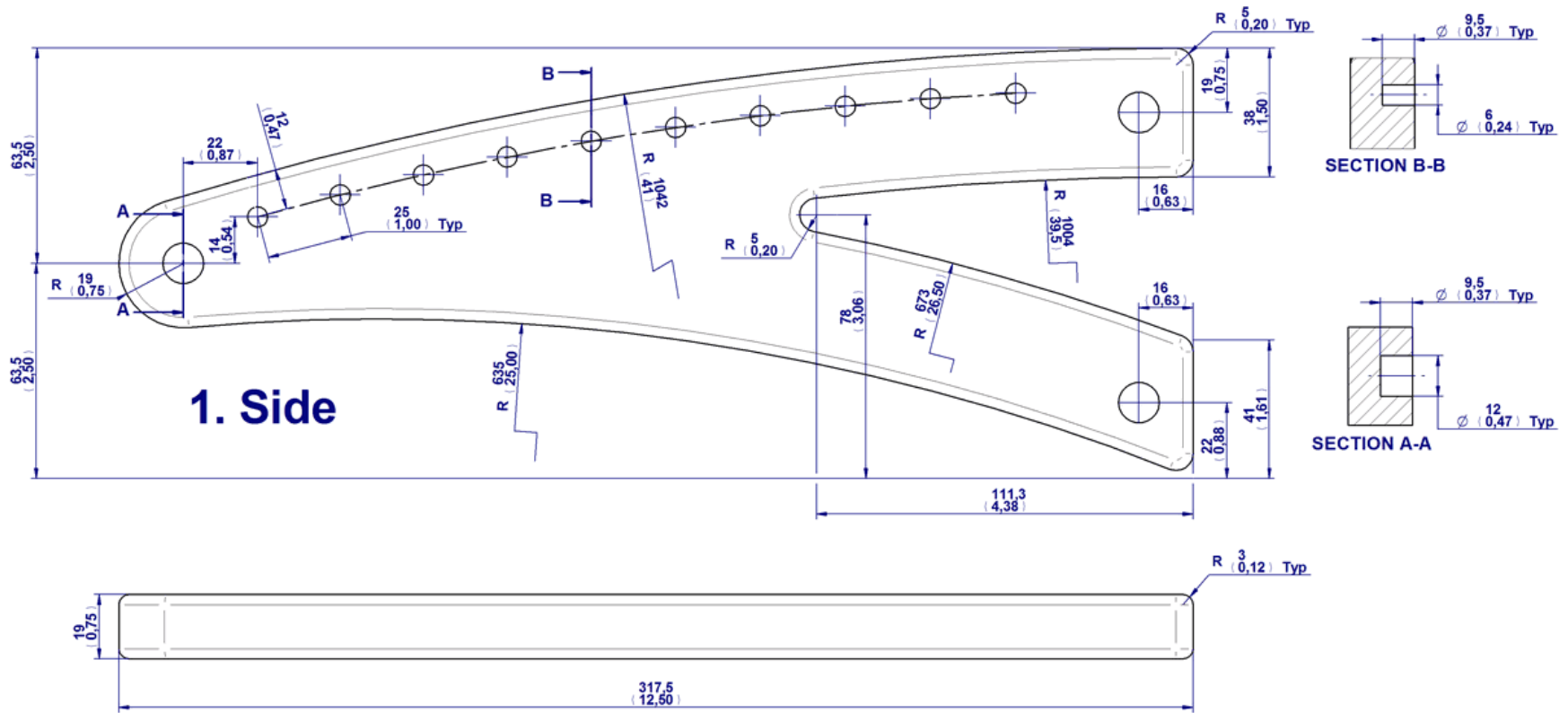


School abacus - Parts list and assembly drawing



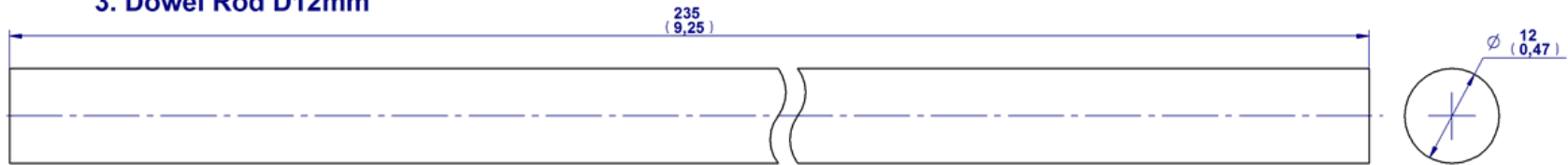
Item Number	Title	Material	Quantity
1	Side	Wood	1
2	Side Mirror	Wood	1
3	Dowel rod D12mm	Wood	3
4	Dowel rod D6mm	Wood	10
5	Bead	Wood	100

School abacus - 1. Side

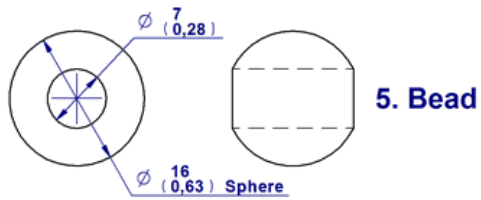


School abacus - Part drawings

3. Dowel Rod D12mm



4. Dowel Rod D6mm



School abacus - Mirror part

