

Rocking Baby Cradle Plan

Expecting the birth of a new family member is an exceptional period for each family. During this period each one of the family members is trying to prepare some gift that will be original and beautiful. Future father or grandfather now have the opportunity to make a baby cradle – one of the nicest and most enduring gifts that a baby can get.

In the first weeks of their lives babies sleep in average 16 to 18 hours a day. Because of that, putting baby to sleep and the quality of sleep are very important. That is why you should provide your baby with quality and safe cradle, that has always been and still remains a symbol of the early childhood.

When choosing a plan, by which the cradle should be made, at first you should think about its safety and functionality, and of course the key element is also its appearance. The plan has to be perfect, because during the cradle manufacture mistakes are not allowed.



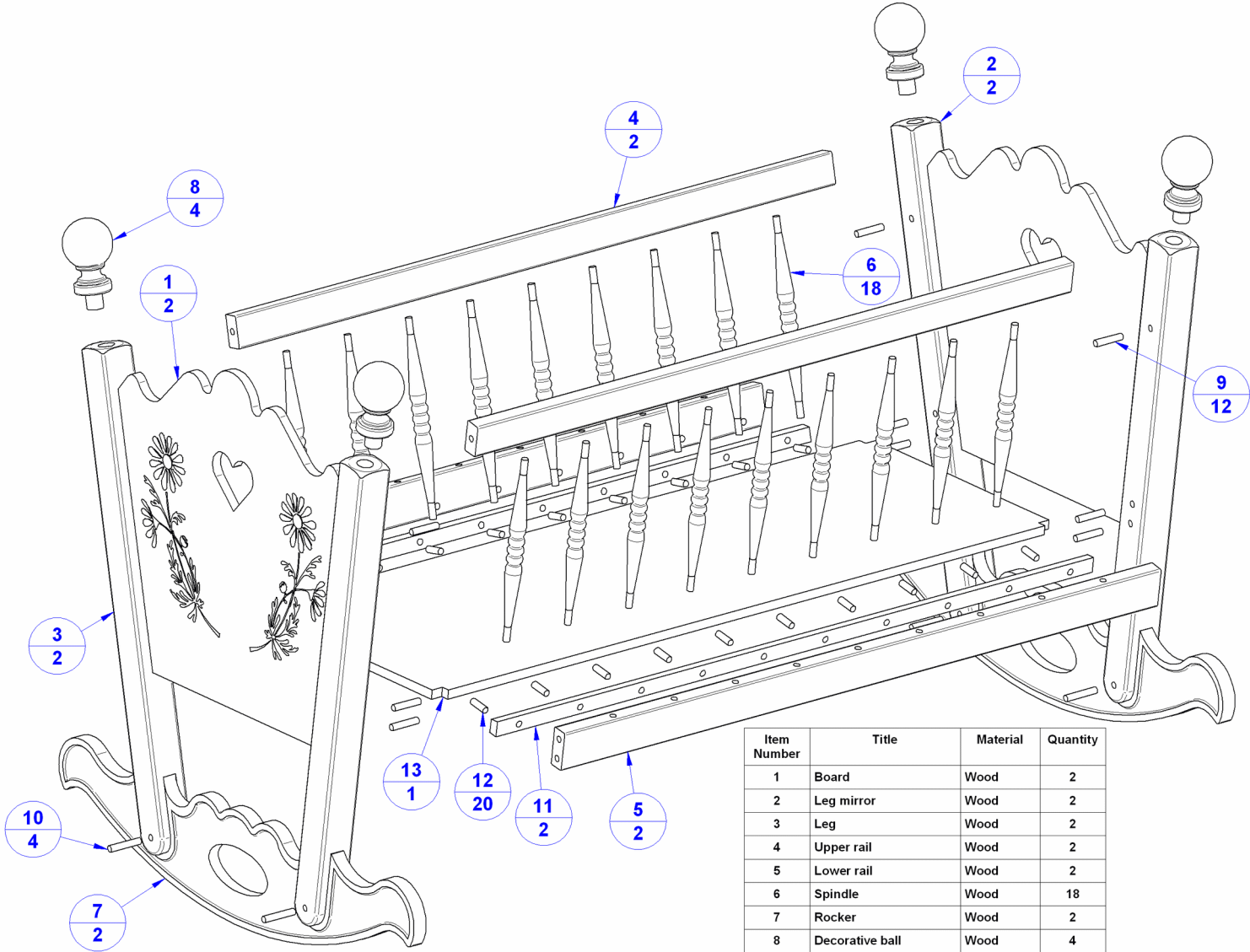
This wooden rocking cradle has a classic, old-fashioned, romantic design, made to meet the highest standards of safety and comfort. The size is adjusted so you can approach to it easily, and it can fit easily into the parents' bedroom. Its design allows the parents to see what the baby is doing without going out of the bed or approaching the cradle.

Rockers are designed to make a motion that allows gentle rocking of a baby, and their ends have bumpers that stop rocking motions under the safe angle. If you wish to stop the cradle moving, you can do that by simply putting the foot under the rockers. With a little idea, you can make the stoppers out of wood (cube of 70mm (2 3/4in) height). The stoppers should be placed from each side of the cradle. It is very important to know that the cradle should be used until the period when baby starts to come up on their hands and knees (3-4 months of age). From that period baby has to sleep in the baby bed, and the cradle can be used to put away baby toys, dolls, pillows and blankets and to wait for the next new family member. And so on for the next generations.

You can paint the rocking cradle manually, or if you have enough skills you can decorate it by carving. If you wish to leave the natural color of wood, you should choose wood that matches the colour of furniture in your bedroom – otherwise you can paint it with non-toxic paint, all depending on the choice of the future parents. If you decide to protect wood with coating or paint, you should plan the cradle to be finished a few weeks before the baby is born, so there will be enough time for the coating to dry and evaporate, as you should not allow your baby to breathe the toxic chemical evaporations.

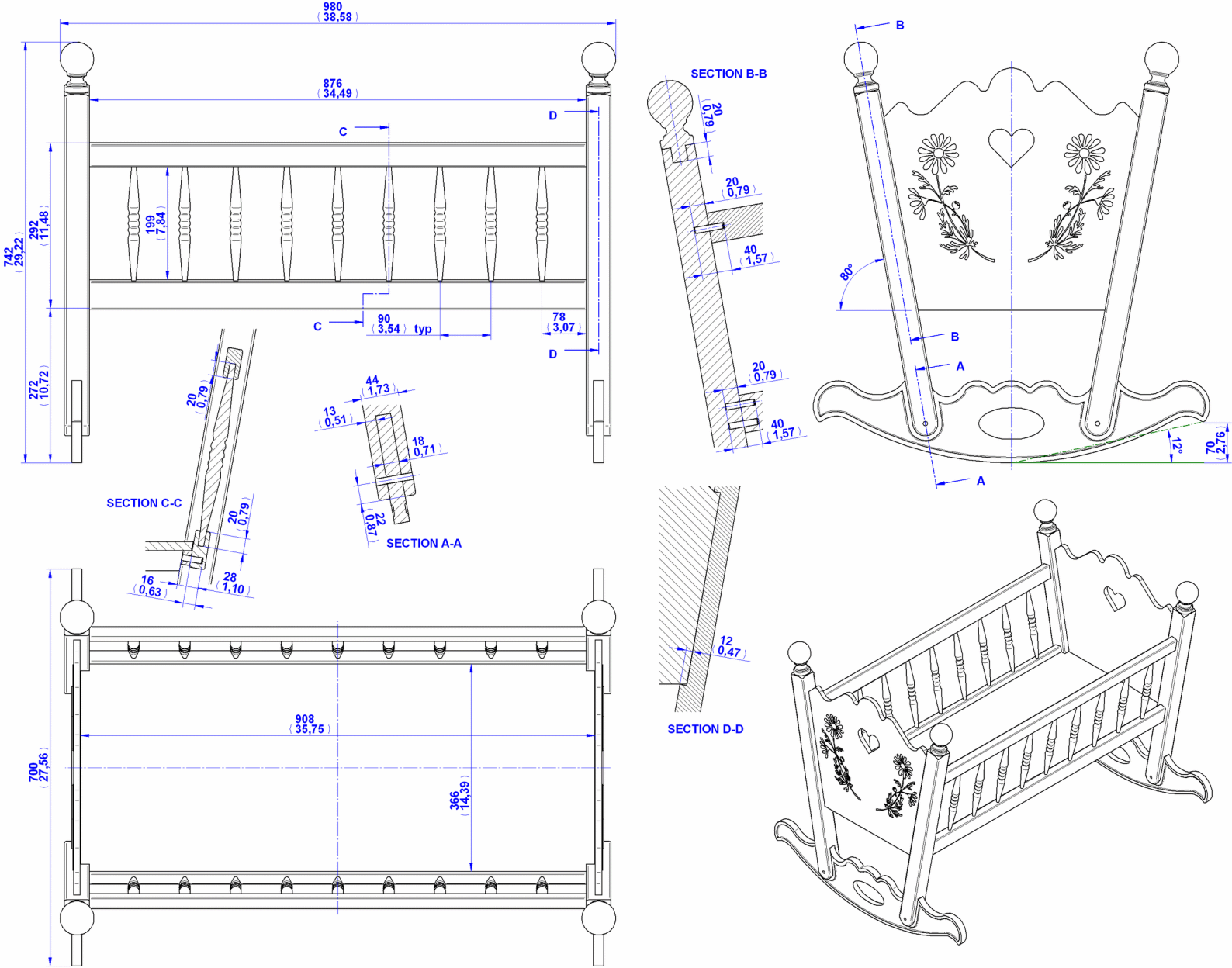
The measurements are given in millimeters, while the measurements given in inches are in brackets (1 inch = 25, 4 mm).

Rocking Baby Cradle Parts list

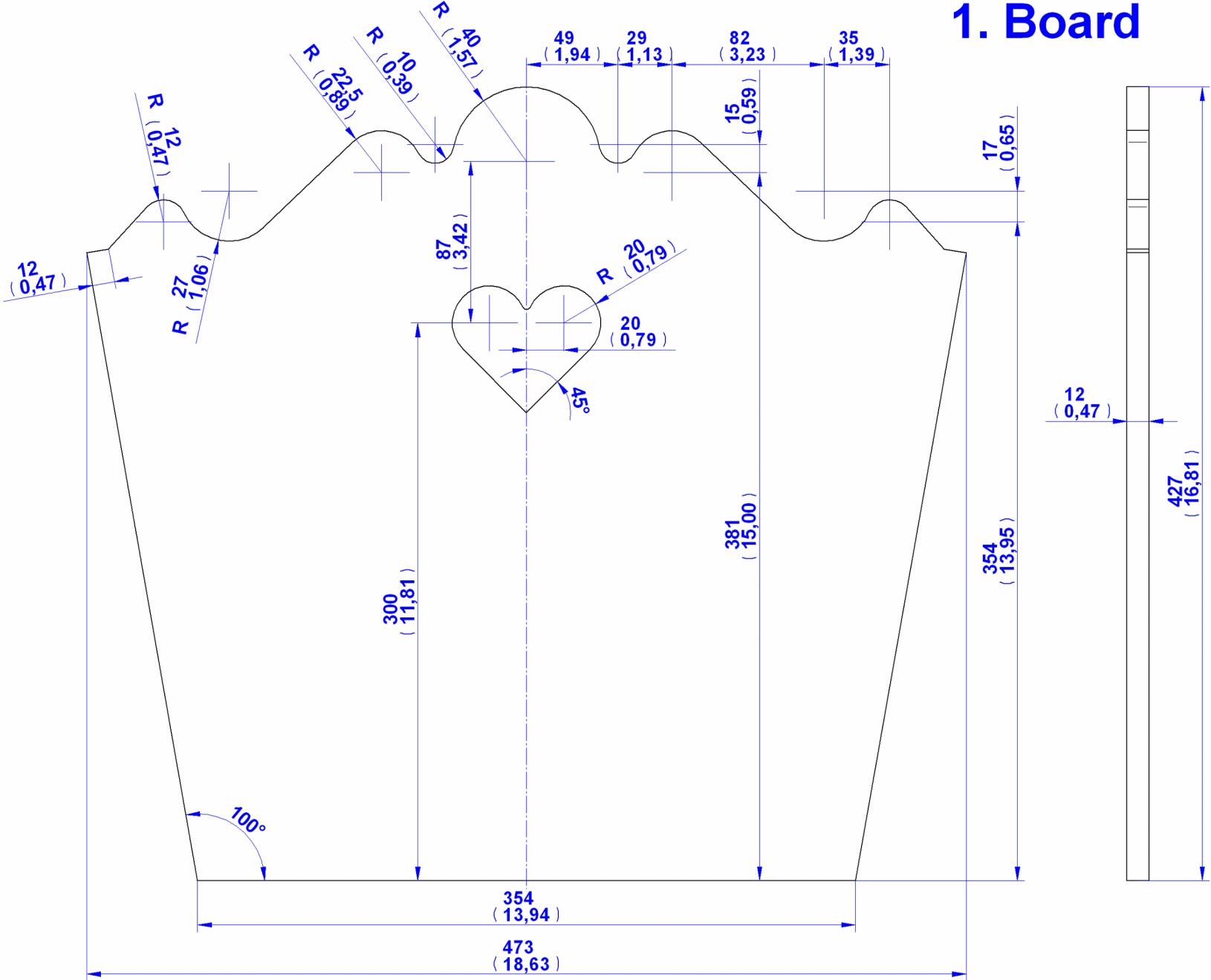


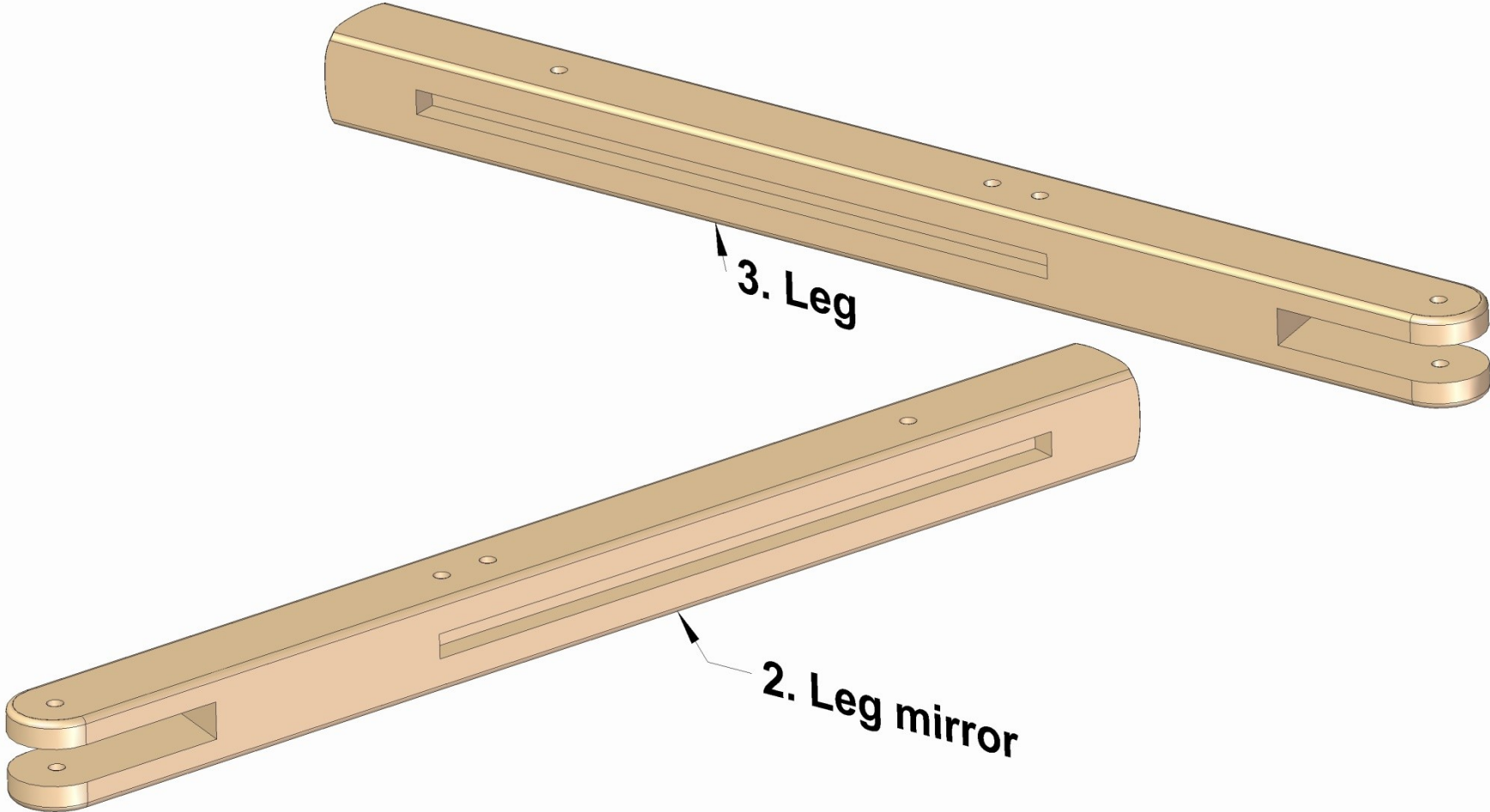
Item Number	Title	Material	Quantity
1	Board	Wood	2
2	Leg mirror	Wood	2
3	Leg	Wood	2
4	Upper rail	Wood	2
5	Lower rail	Wood	2
6	Spindle	Wood	18
7	Rocker	Wood	2
8	Decorative ball	Wood	4
9	Dowel D8 x 39mm	Wood	12
10	Dowel D8 x 44mm	Wood	4
11	Support lath	Wood	2
12	Dowel D8 x 27mm	Wood	20
13	Bottom	Wood	1

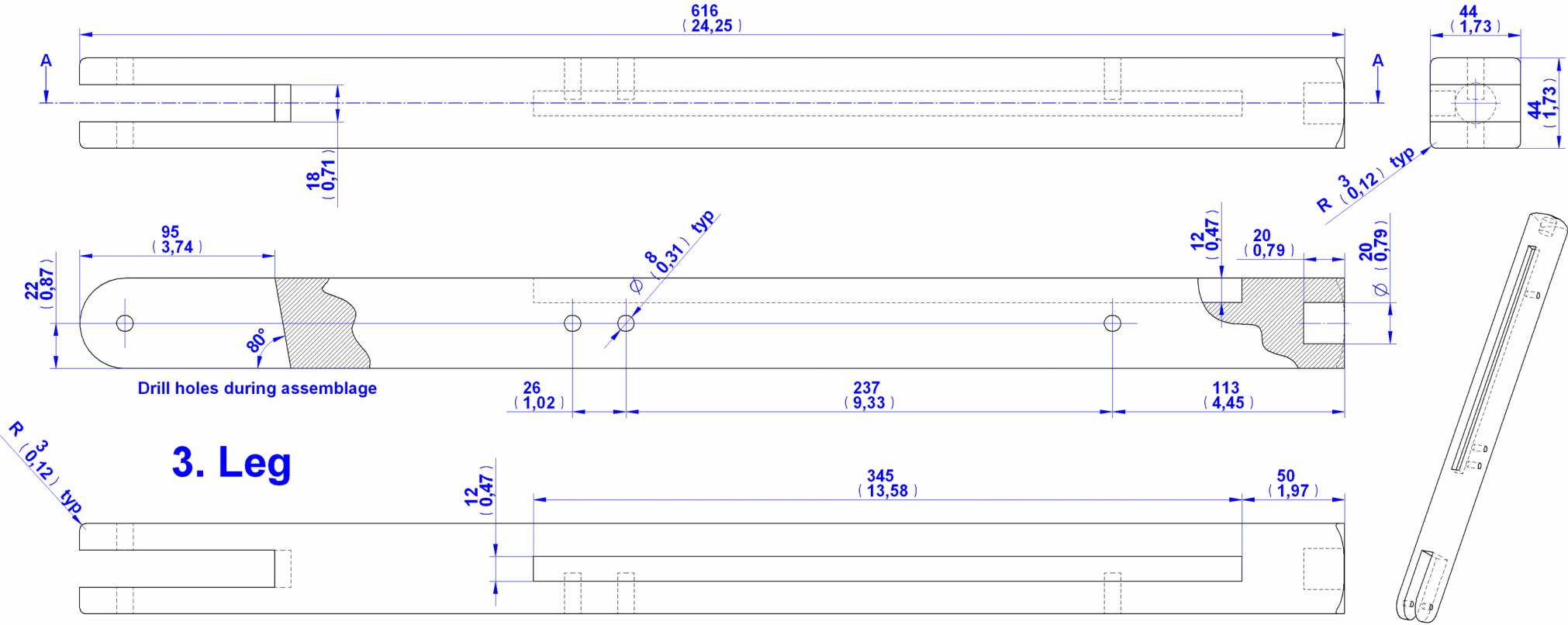
Rocking Baby Cradle assembly 2D drawing

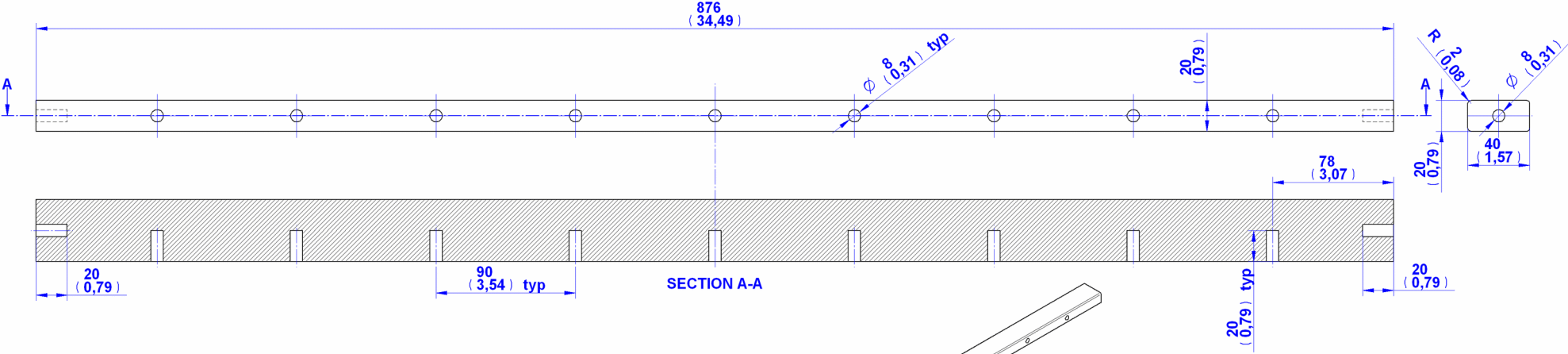


1. Board

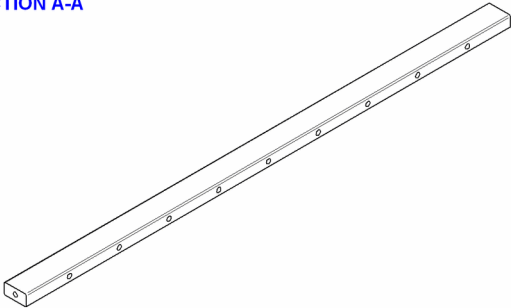


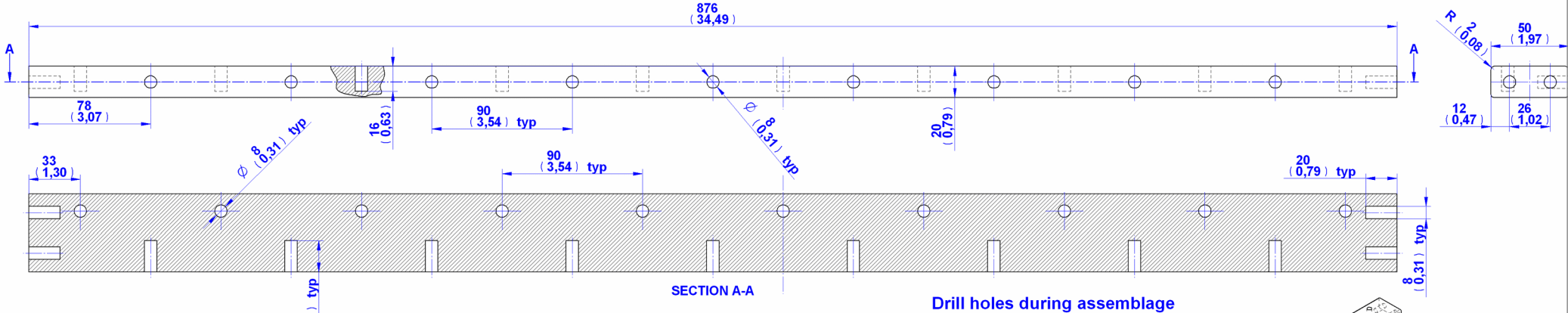




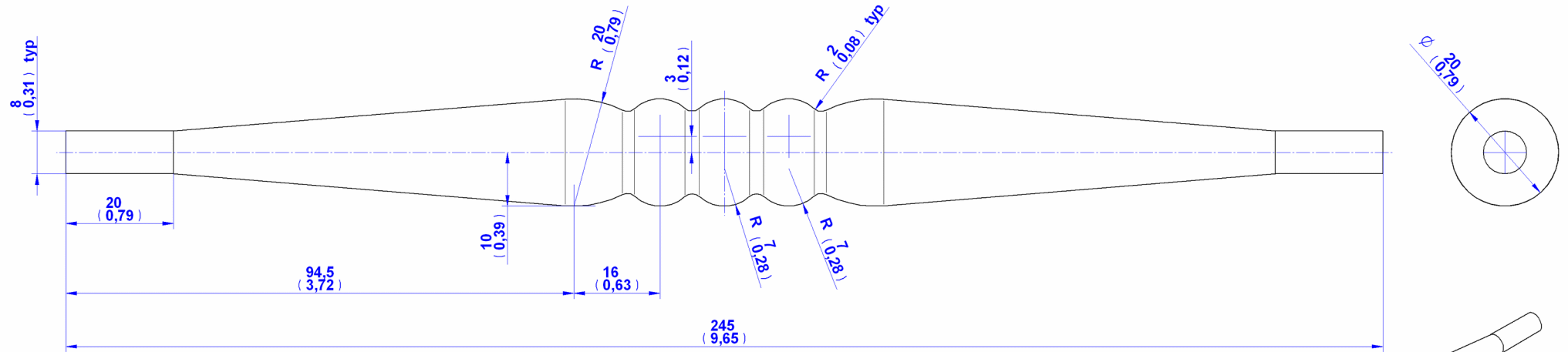


4. Upper rail

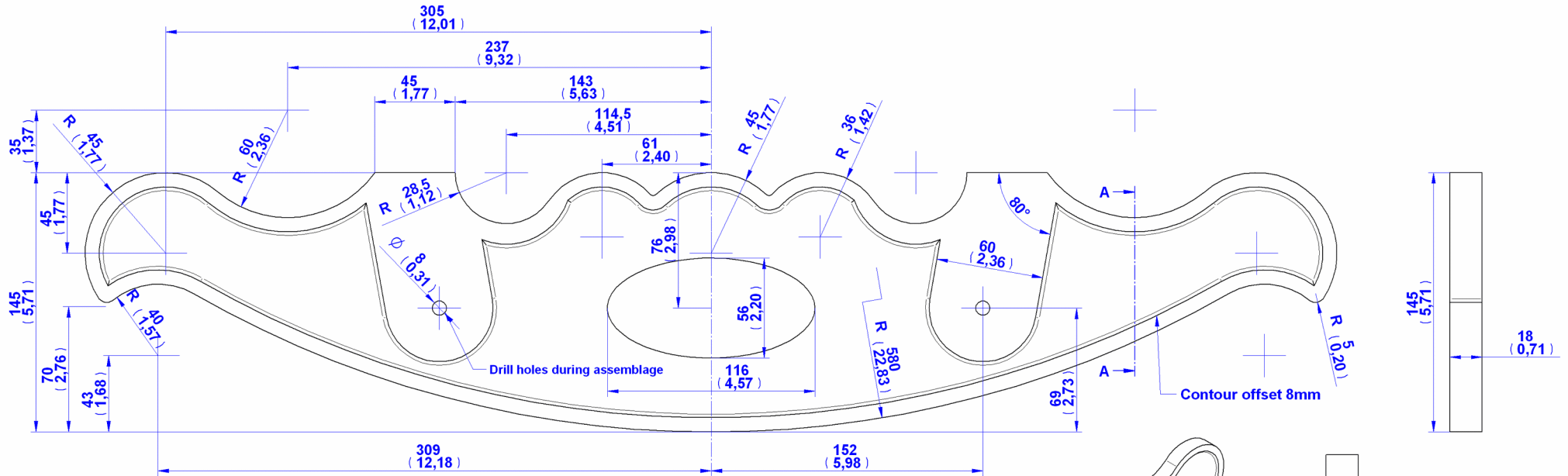




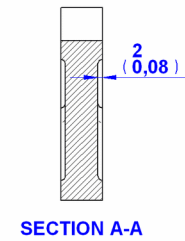
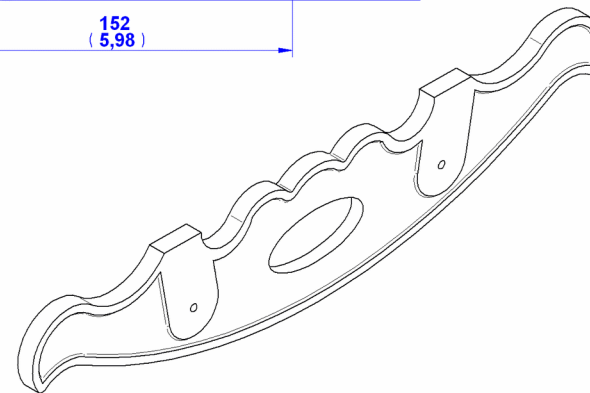
5. Lower rail

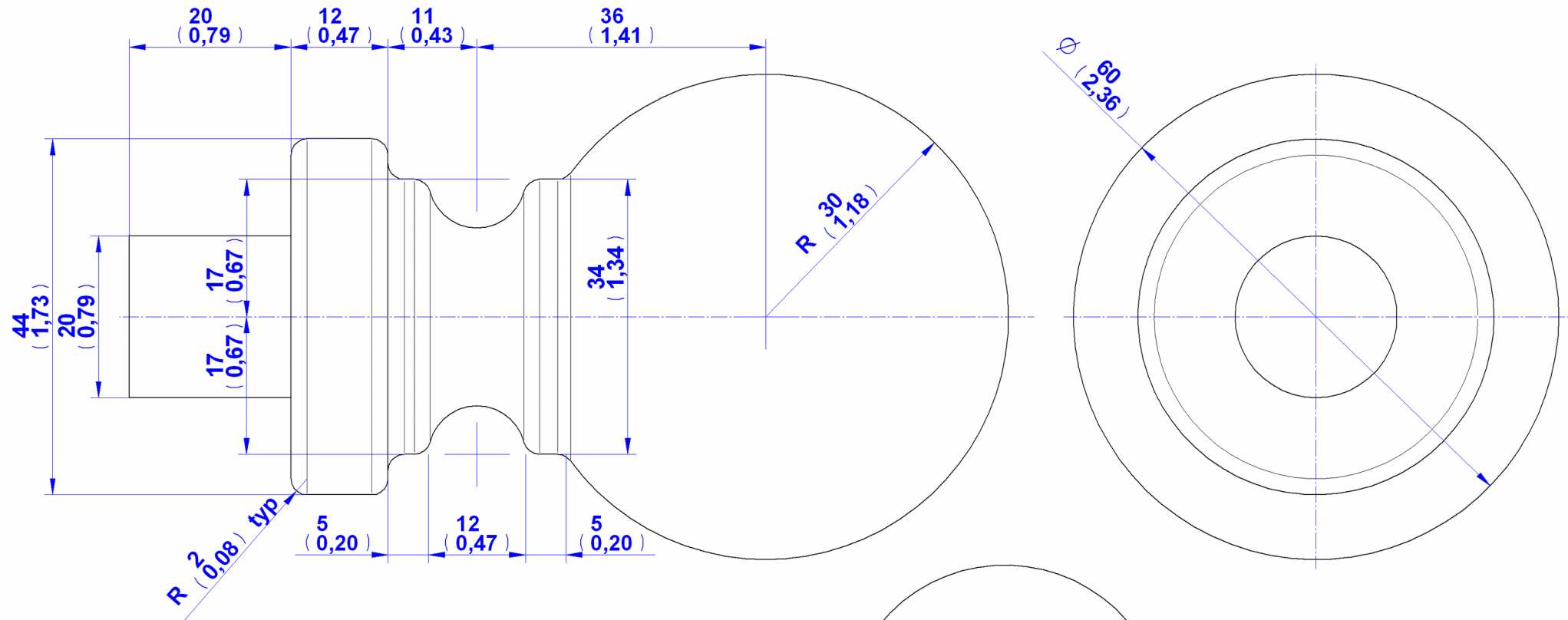


6. Spindle

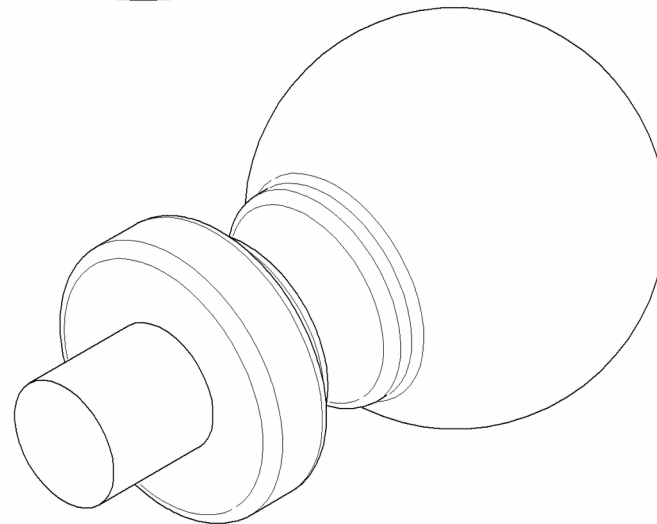


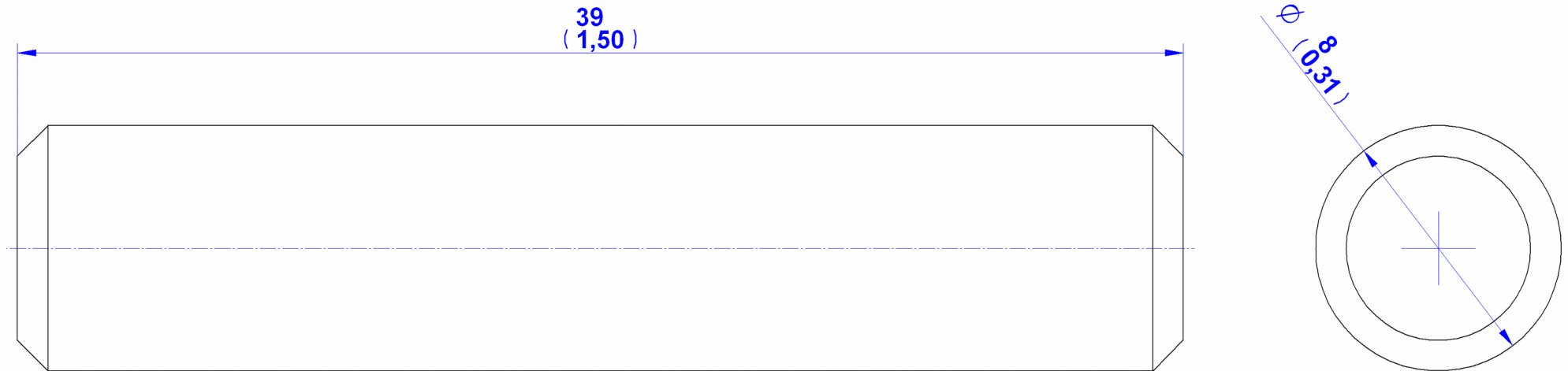
7. Rocker



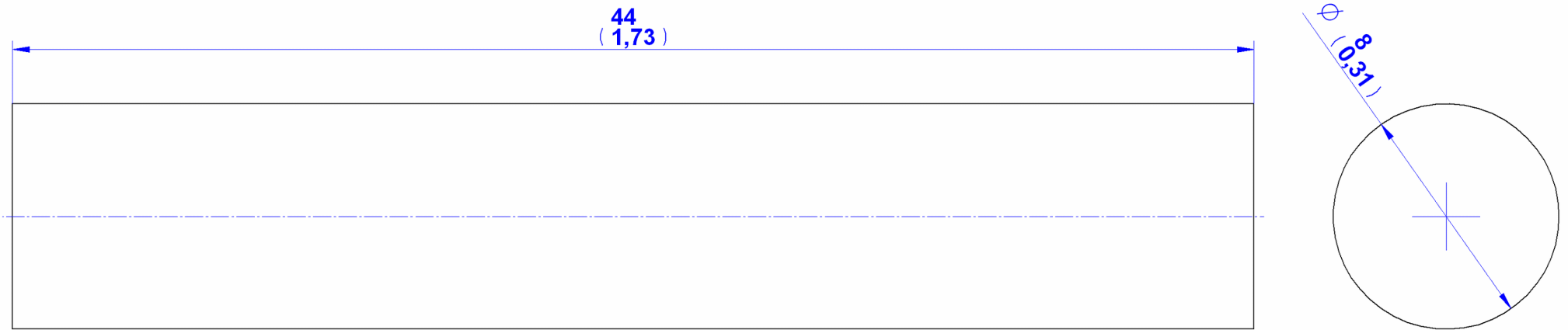


8. Decorative ball

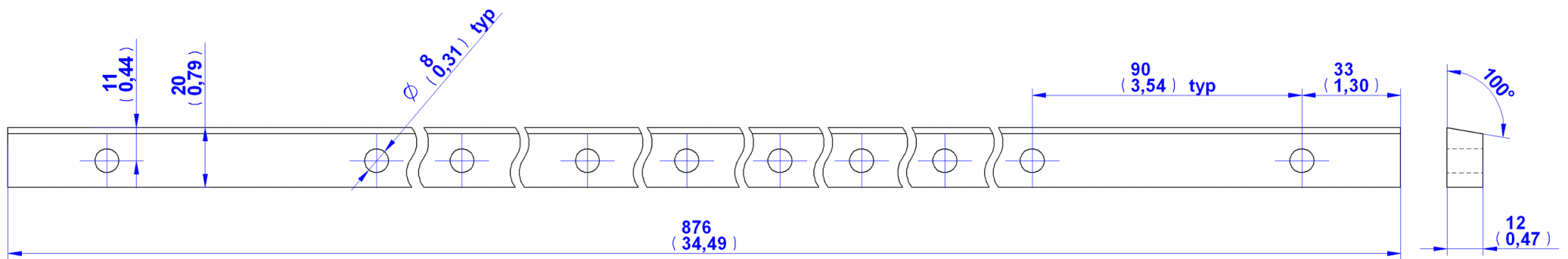




9. Dowel D8 x 38mm



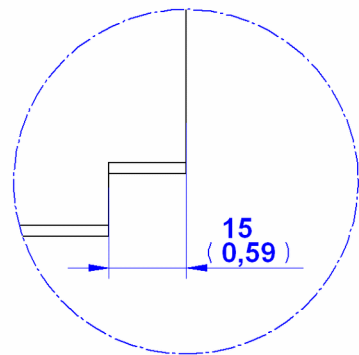
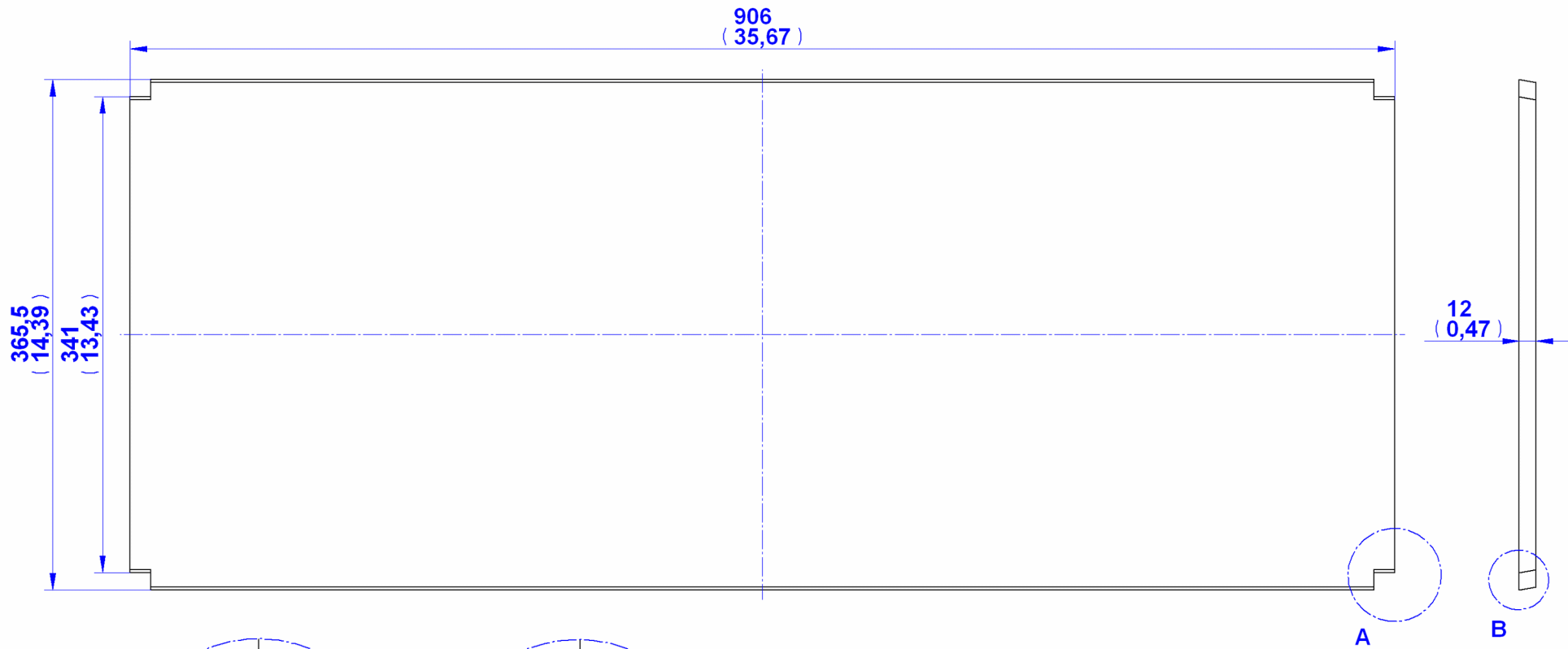
10. Dowel D8 x 44mm



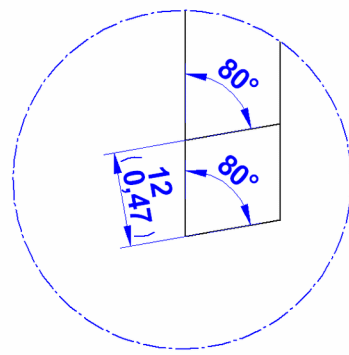
11. Support lath



12. Dowel D8 x 25mm



DETAIL A

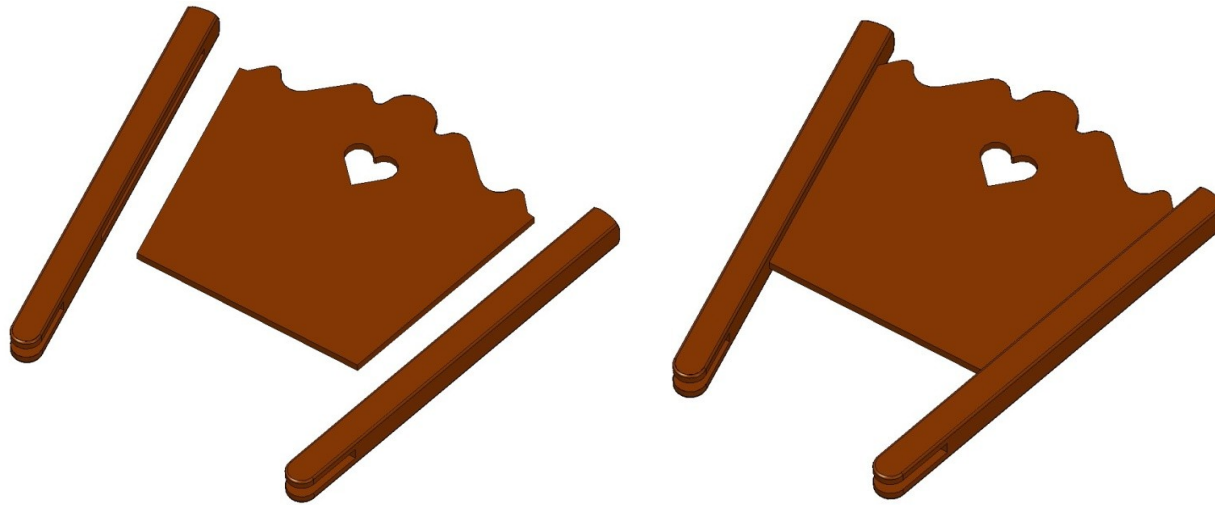


DETAIL B

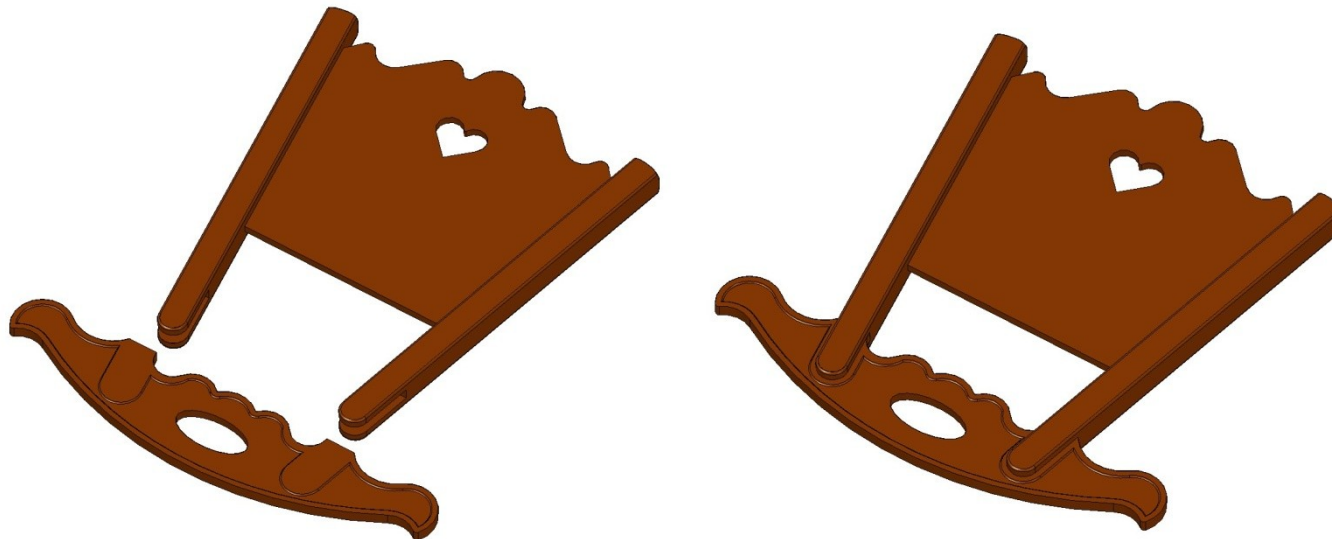
13. Bottom

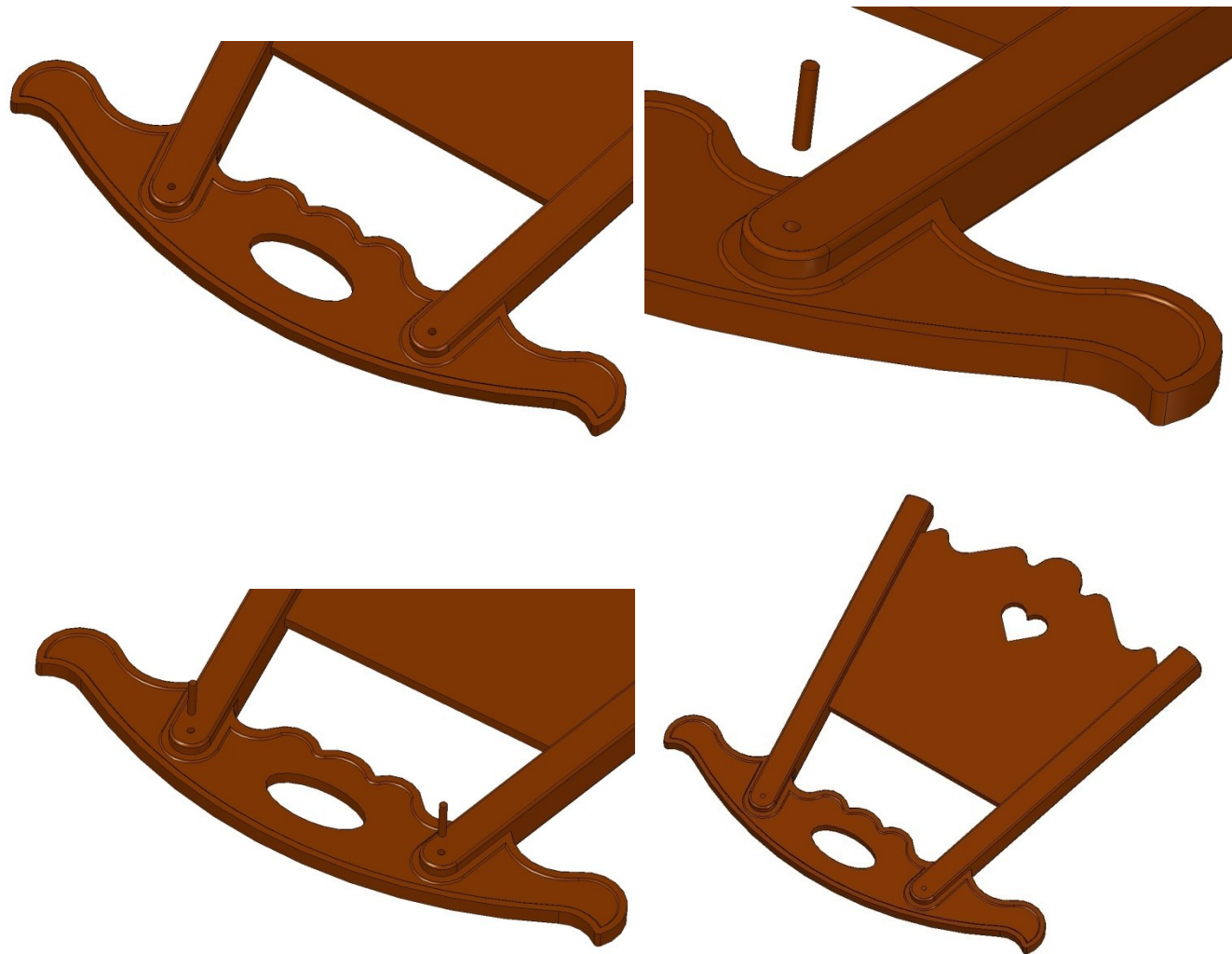
Assemblage images

1.

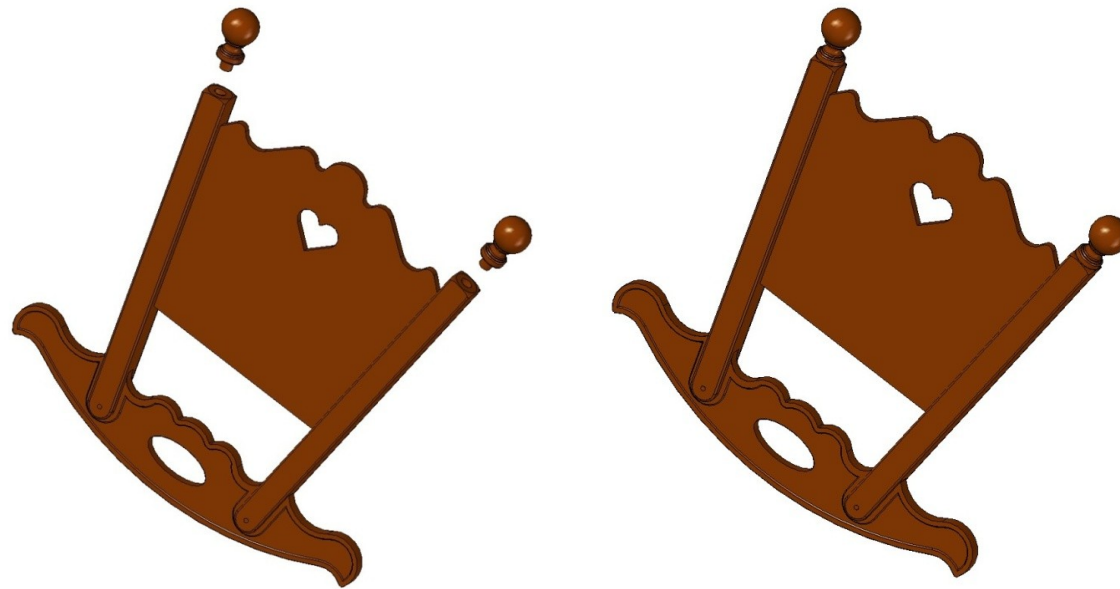


2.

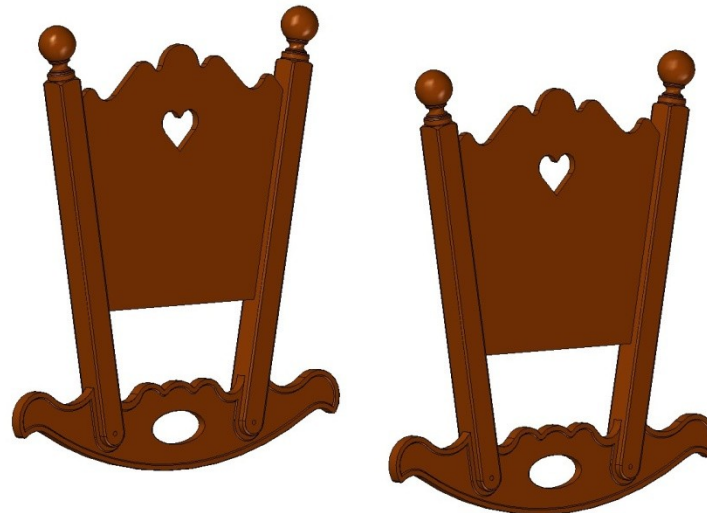




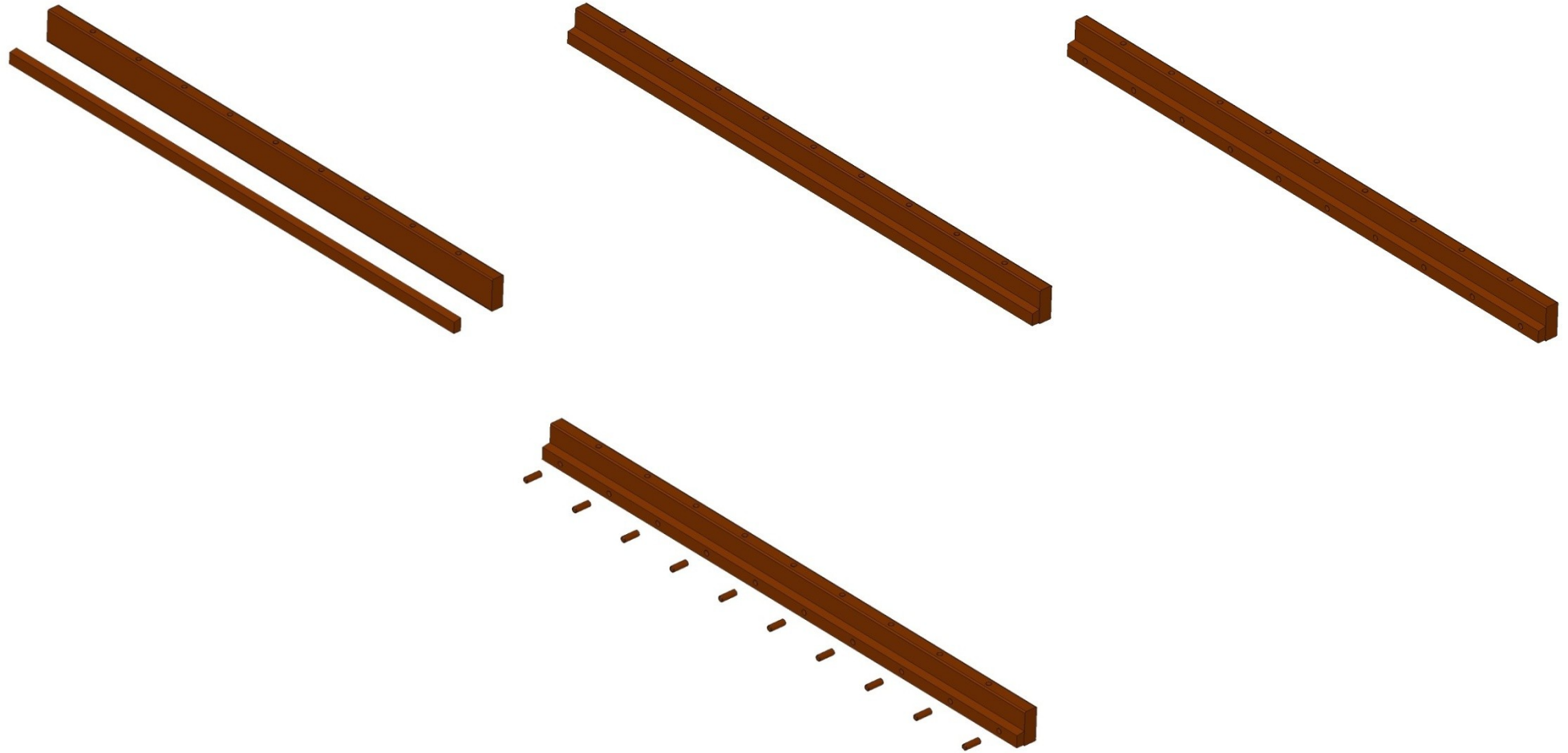
3.



4.

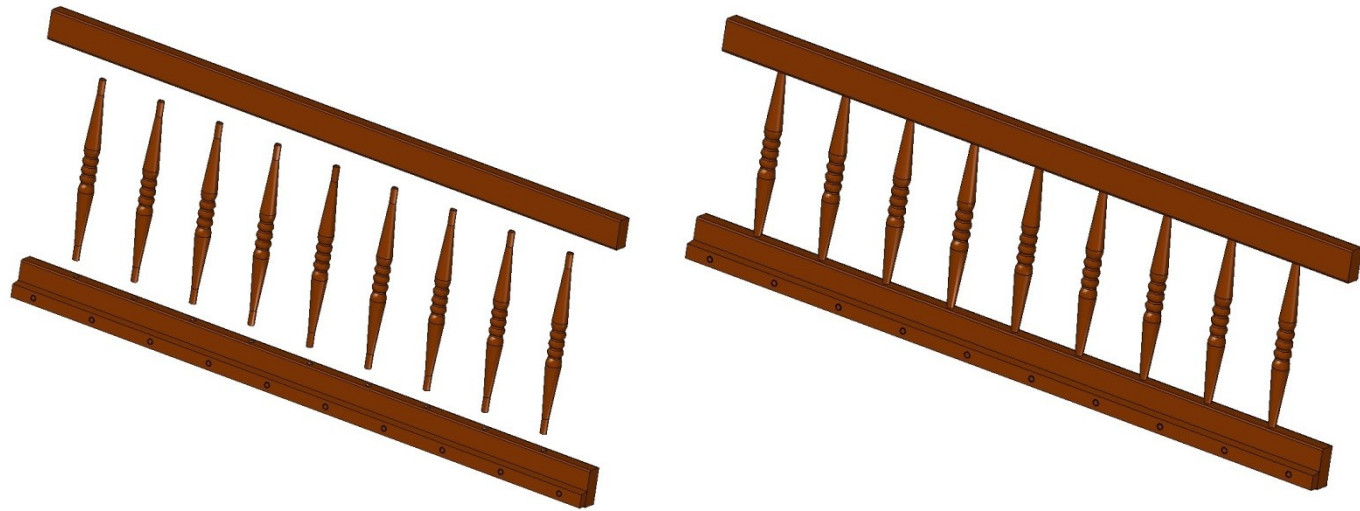


5.

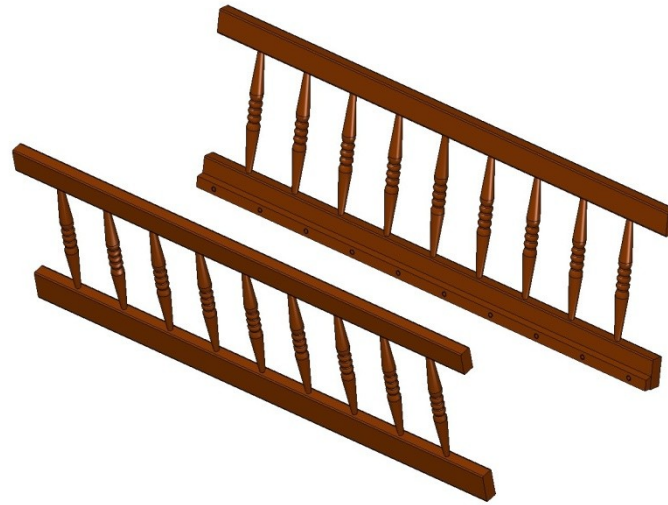




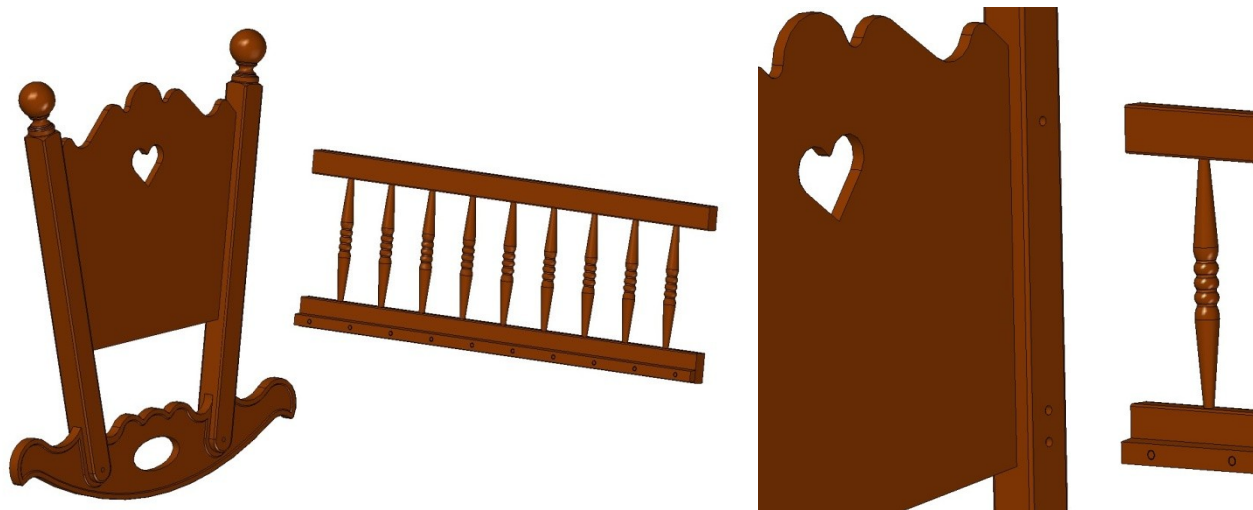
6.



7.



8.



9.



10.

