

Bench with storage area plan



Bench with storage area underneath the seat - Durable, practical, decorated and simple in construction.

With the free woodworking plan that you can download on this page you can make decorative bench with storage area underneath the seat. Durable, practical, decorated and simple in construction.

This wooden bench is a very useful piece of furniture in almost any room, especially in the entrance hall, before a window or in front of a shoe cabinet. All the material used in the making of this bench is 22mm (7/8in) thick, excepting the Stretcher (Part 5), which is 19mm (3/4)in thick. The bench can be made from any of the furniture woods and finished with paint, stain, veneer, oil...

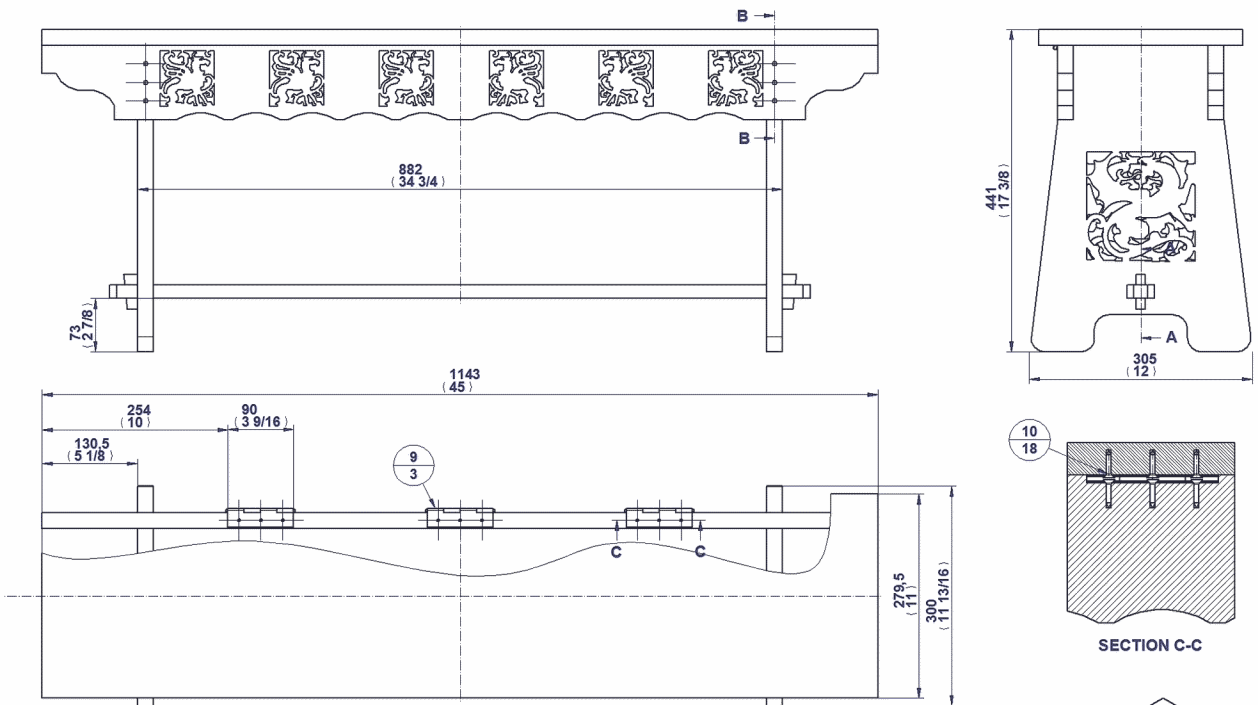
As you can see in the picture and the drawings, the bench is not only functional but also very beautiful and antique looking.

You can decorate the bench with various decorative patterns, and the ones you choose can very much affect its appearance. The patterns can be colored, cut in scroll saw technique or carved as a wood engraving. This way you can create your authentic bench that will, if placed rightly, attract everyone's attention.

If you decide to make a bench according to our plan, it will be suitable for seating two adults and the storage area will be 839mm x 184mm x 70mm.

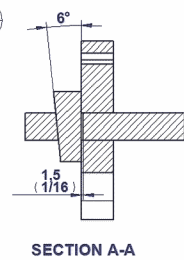
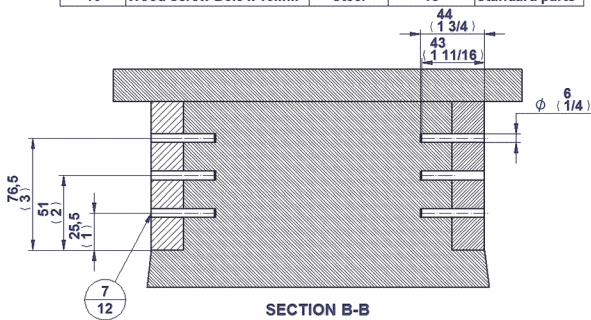
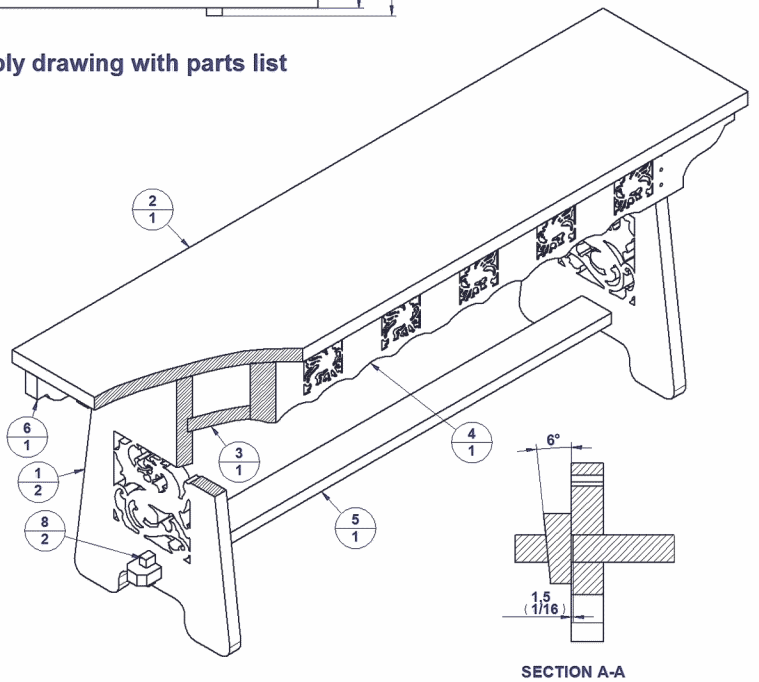
We have designed this plan so that you get an idea of how a simple object like a bench can be decorated using various wood decoration techniques. Imagine this bench without the patterns we have drawn and compare what it looks like in the picture (or when you open the 3D model) with the patterns, and you will clearly see what we are talking about.

Bench with storage area- Assembly 2D drawing with parts list

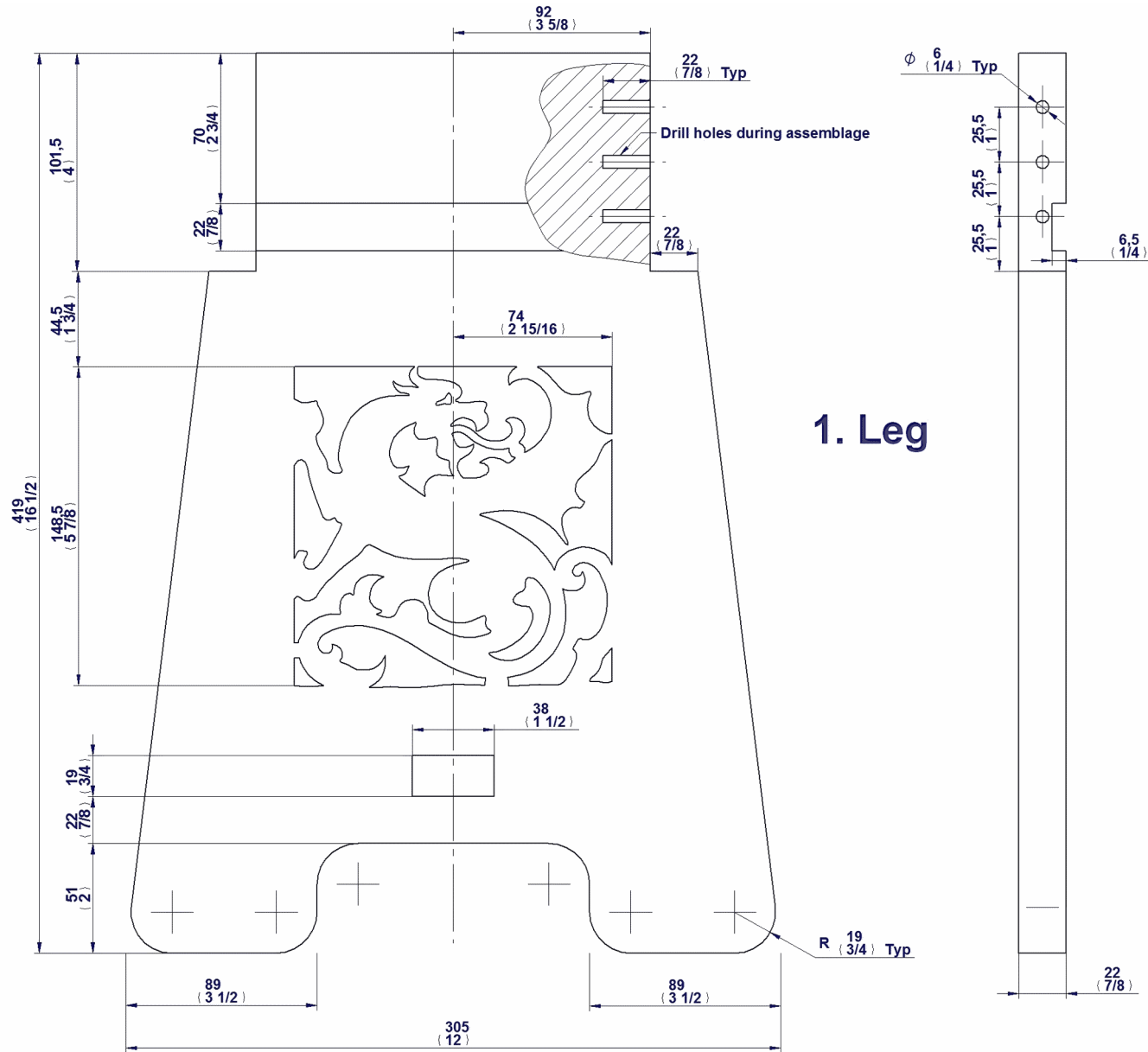


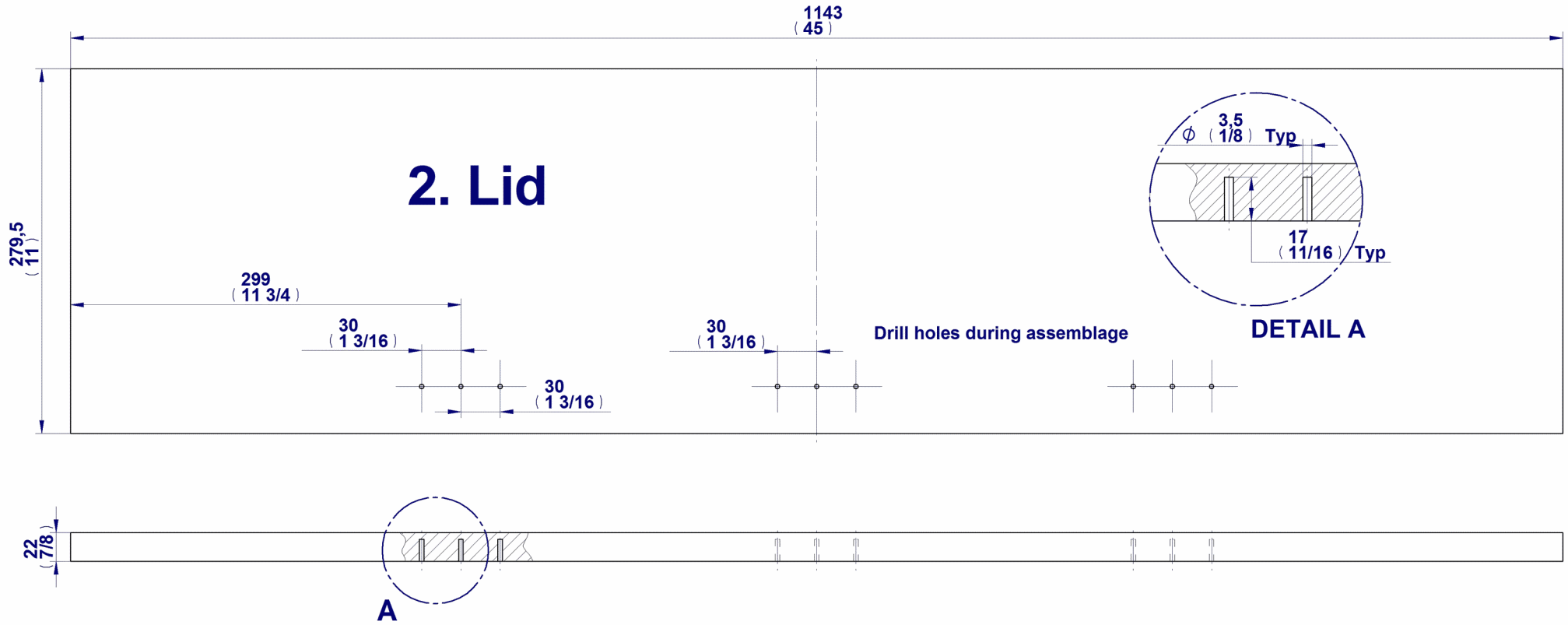
Bench with storage area - Assembly drawing with parts list
www.craftsmanspace.com

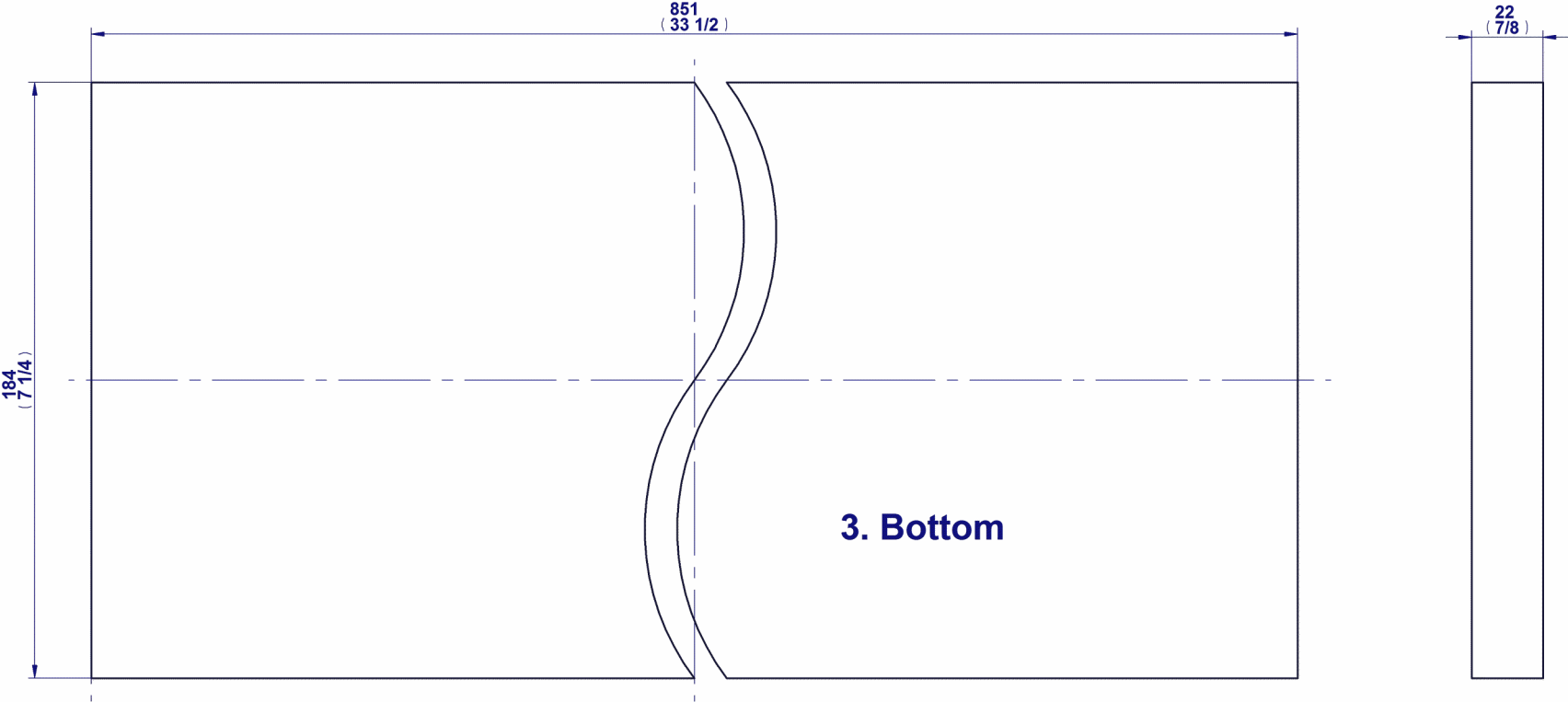
Item Number	Title	Material	Quantity	Comments
1	Leg	Wood	2	
2	Lid	Wood	1	
3	Bottom	Wood	1	
4	Rail	Wood	1	
5	Stretcher	Wood	1	
6	Back rail	Wood	1	
7	Dowel D6 x 43mm	Wood	12	
8	Wedge	Wood	2	
9	Hinge		3	Standard parts
10	Wood screw D3.5 x 19mm	Steel	18	Standard parts

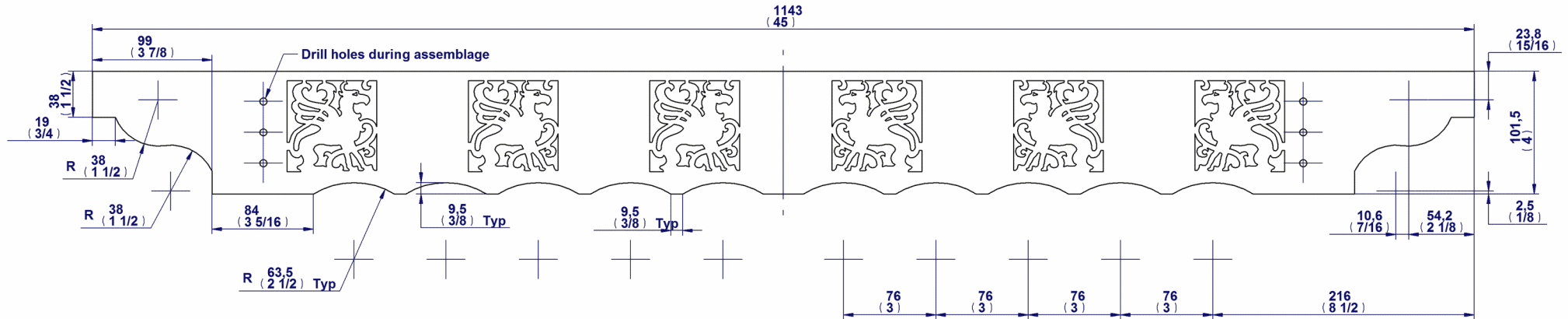


Parts drawings



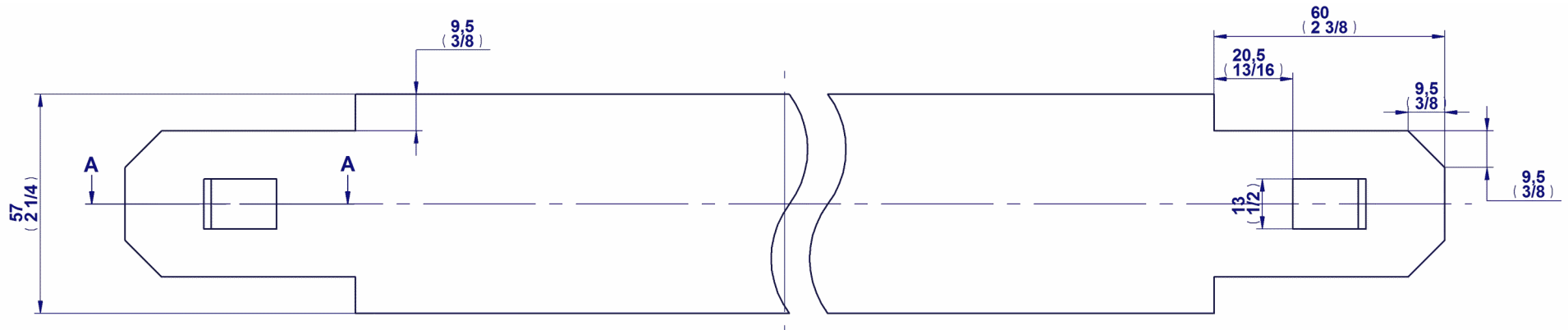




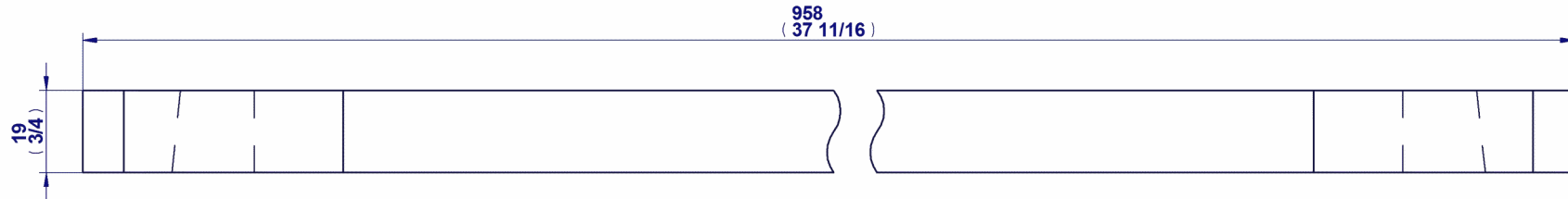
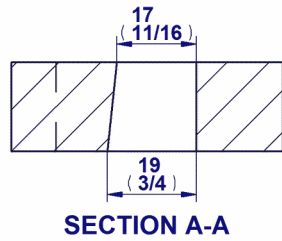


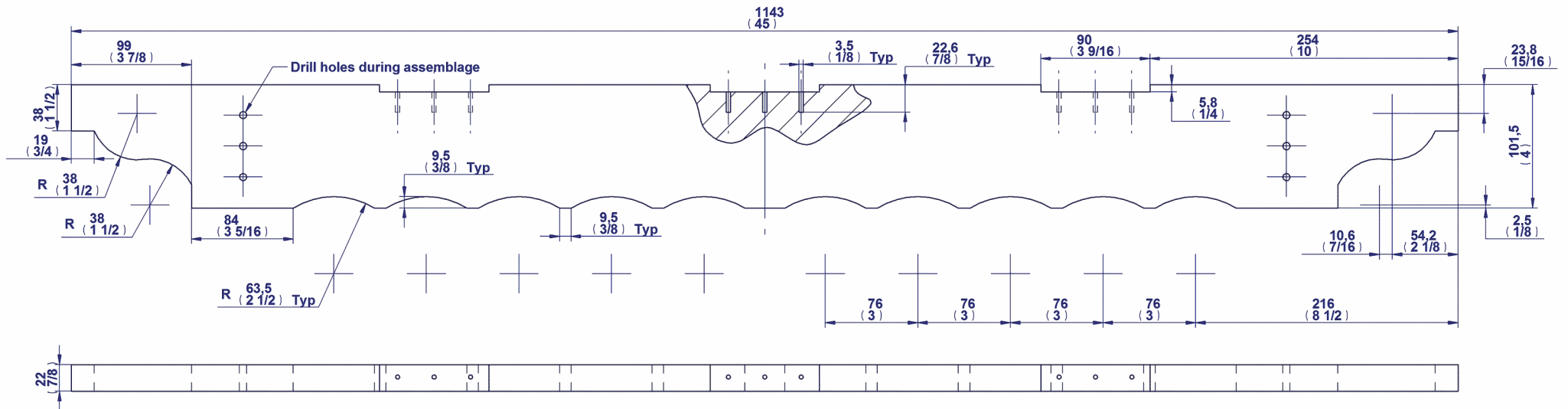
4. Rail



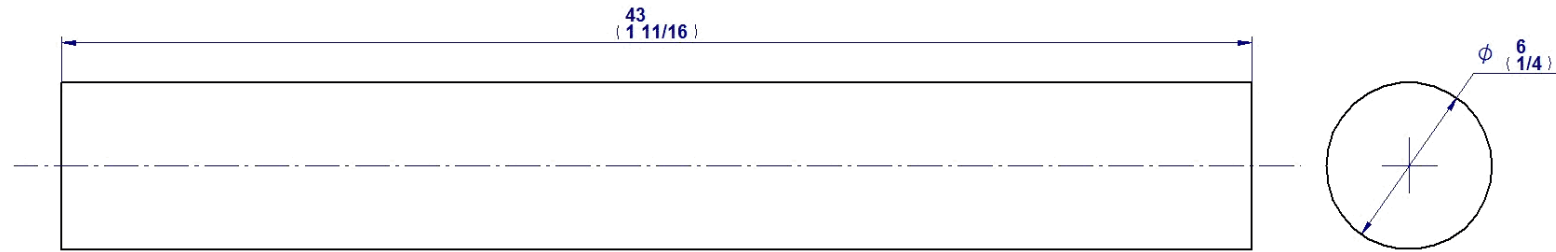


5. Stretcher

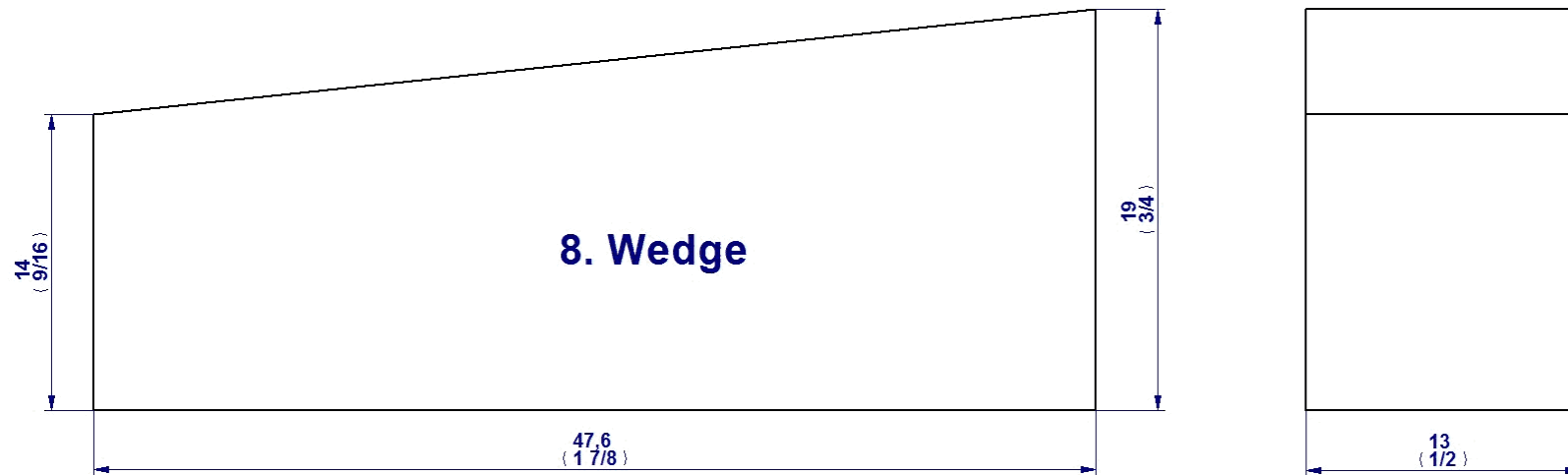




6. Back Rail



7. Dowel D6 x 43mm



8. Wedge

Standard parts

