

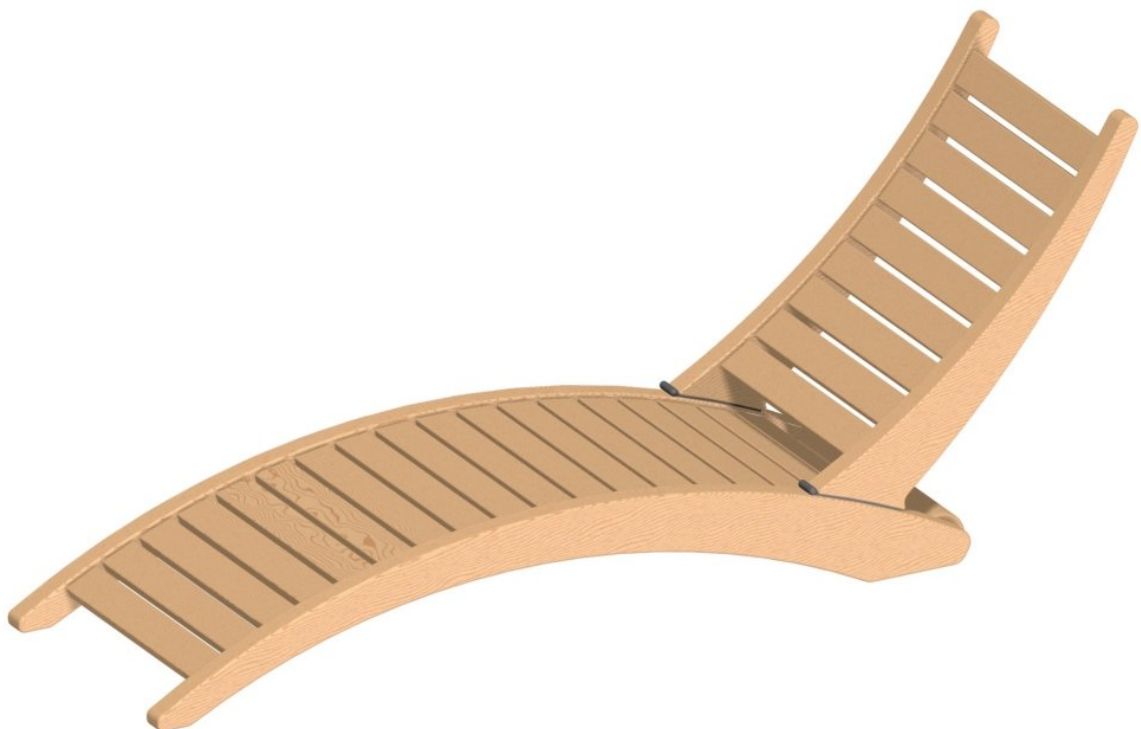
## Folding sun lounge

Sun loungers are favorite outdoor furniture, especially around the pool, for the beach, terrace, patio or garden. This Sun lounge is designed for recline sitting position, so it is very comfortable and enables you to read a book in a very relaxing position, as well as to relax after hard day at work. We recommend placing a cushion on it for greater comfort. You can fold the back of the lounge, so it's easier to carry it and it takes up less space when you do not use it.

It is completely made of wood, and the only part that's not of wood are hinges for folding the back of lounge (and screws that are used to fix the hinges). Construction is done without screws and all joints are done with the technique mortise and tenon woodworking joints, so we achieve the maximum of firmness and esthetically it looks better, because there's no screws.

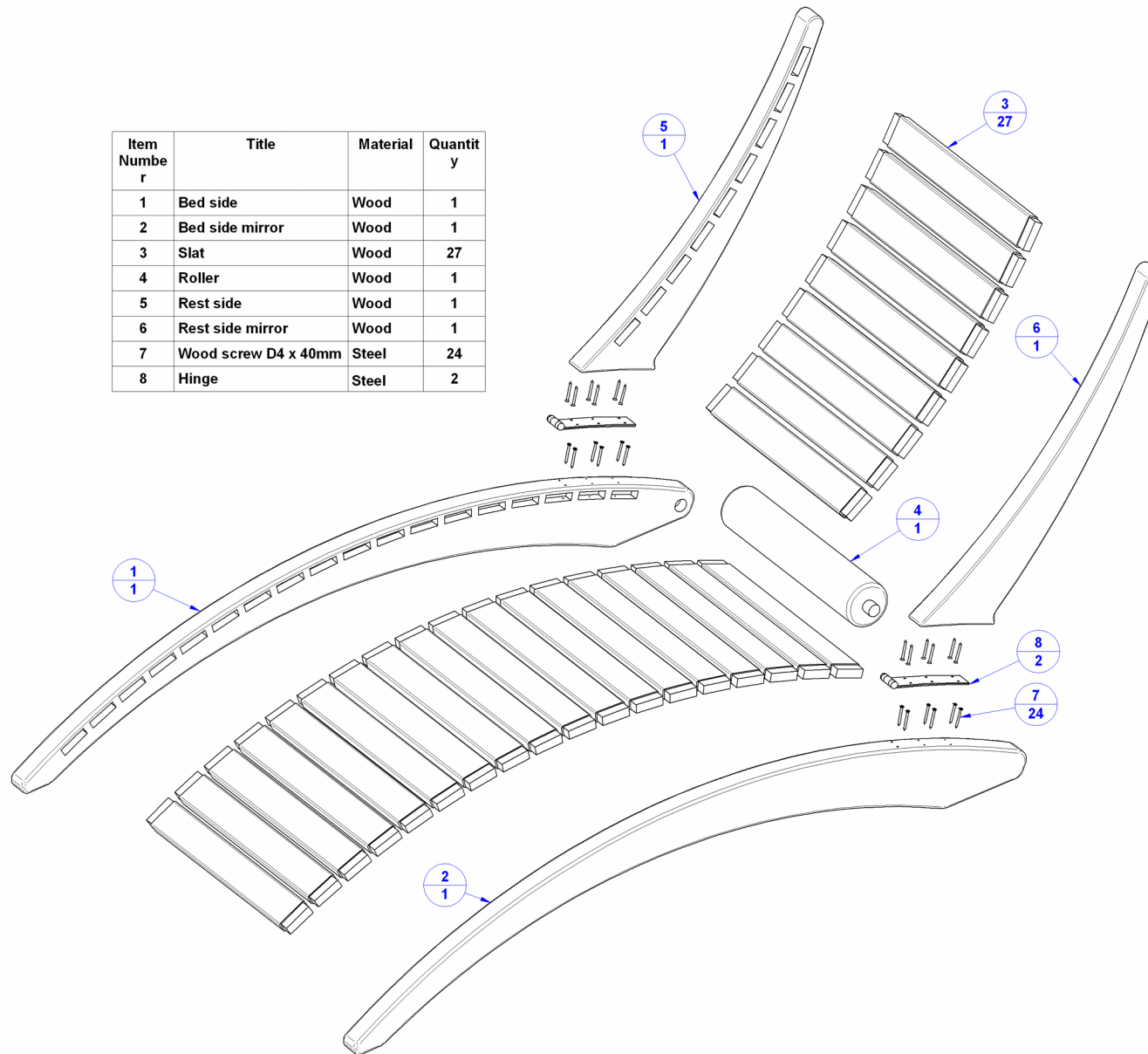
Considering this lounge is intended mainly for outdoor use, we recommend to before purchasing material, you inform yourself well if you can find wood that can stand outdoors conditions. The second thing you must take care of is wood protection and type of finishing you should use so that your lounge stays in a good shape for a long time, undamaged and that you don't need to take it inside on daily basis nor to cover it with finishing too often.

Slotted surface disables rain and water to stay in the lounge, because that would lead to wood damaging.

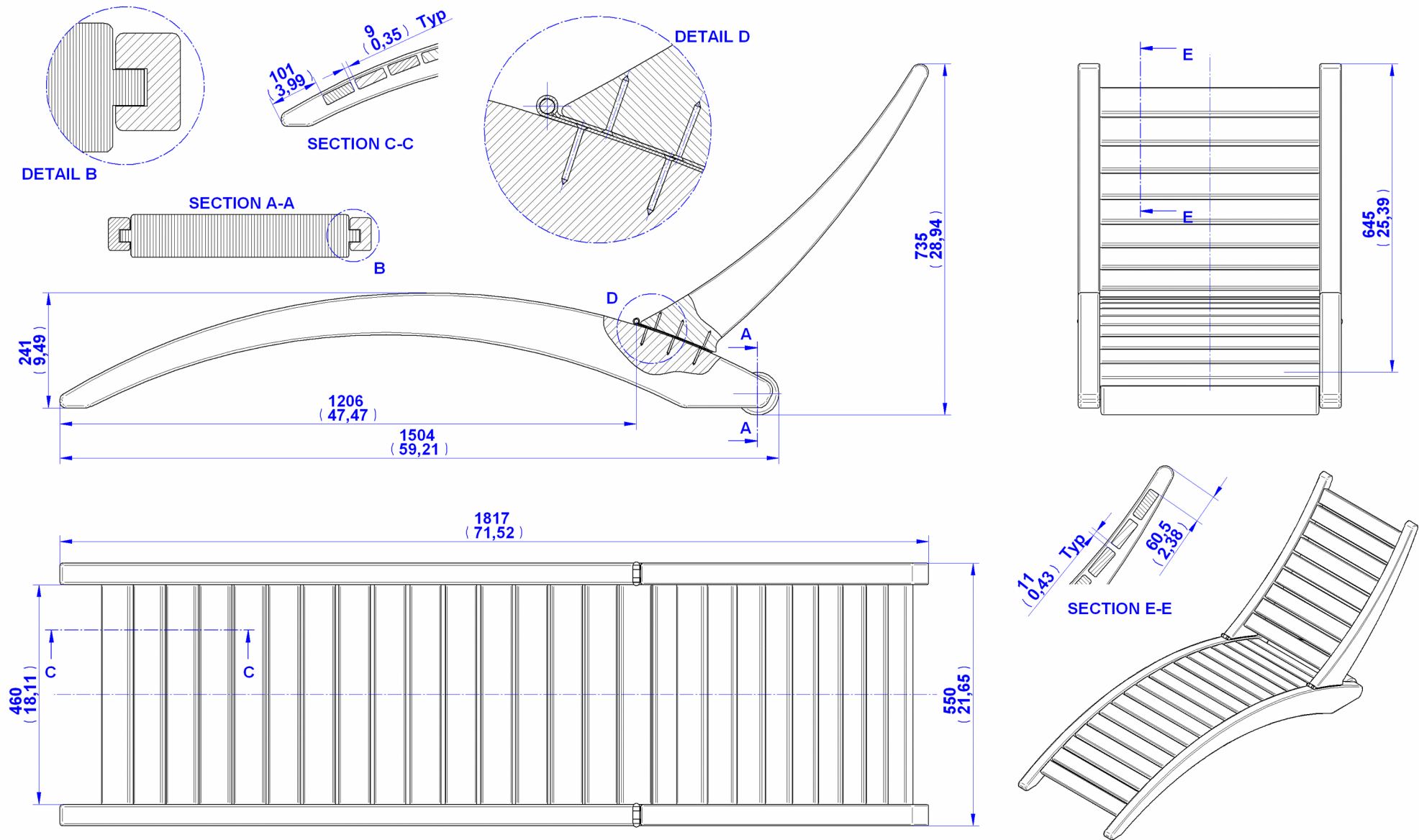


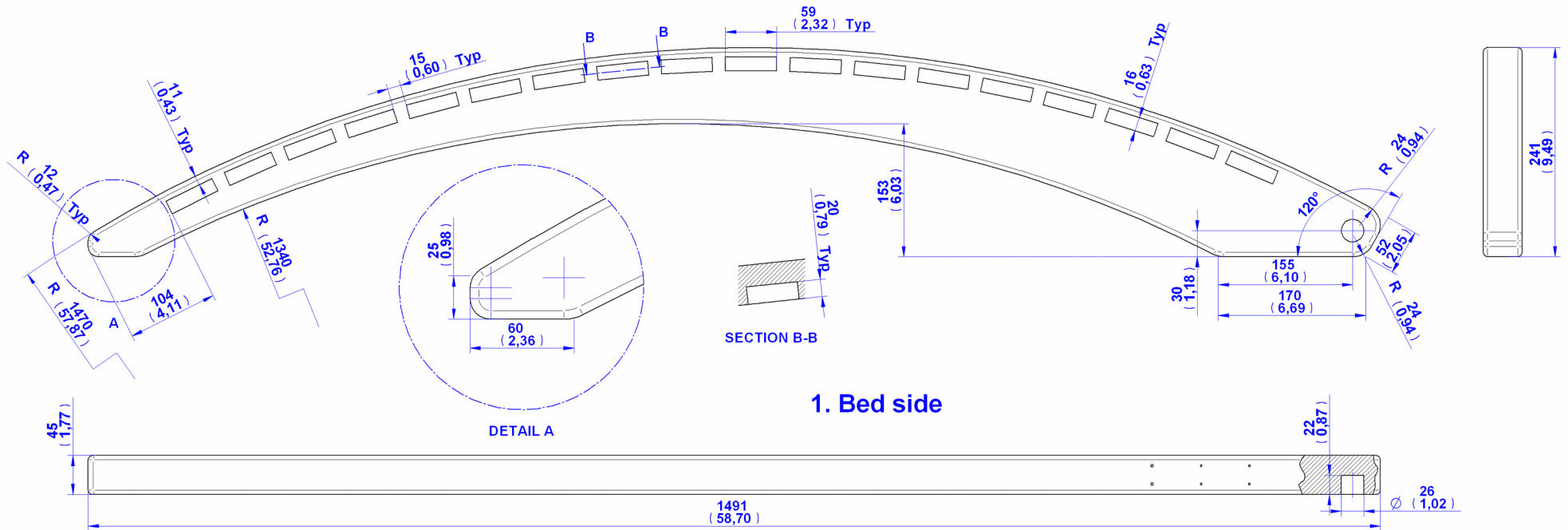
## Folding sun lounger parts list

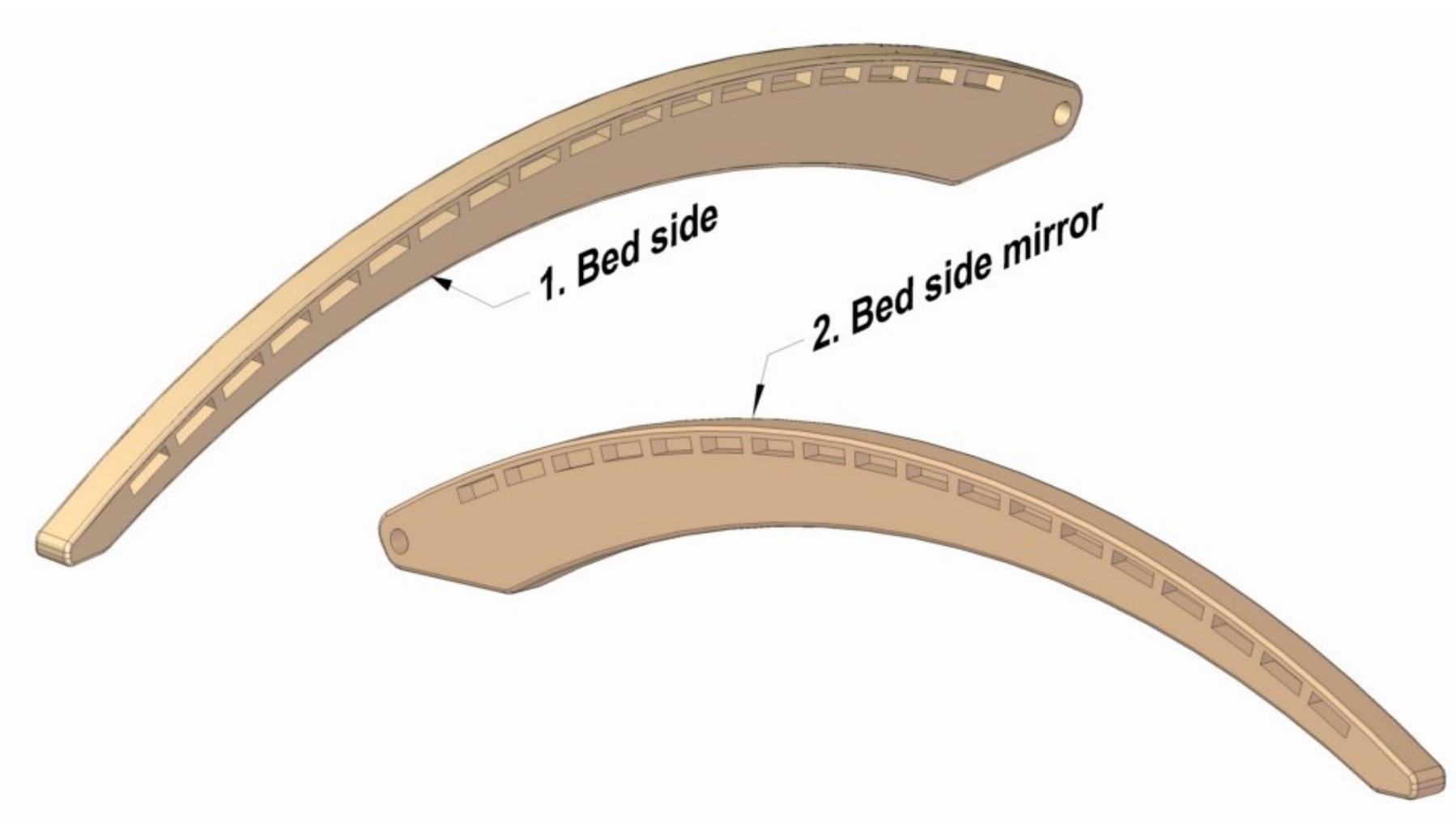
Item Number	Title	Material	Quantity
1	Bed side	Wood	1
2	Bed side mirror	Wood	1
3	Slat	Wood	27
4	Roller	Wood	1
5	Rest side	Wood	1
6	Rest side mirror	Wood	1
7	Wood screw D4 x 40mm	Steel	24
8	Hinge	Steel	2

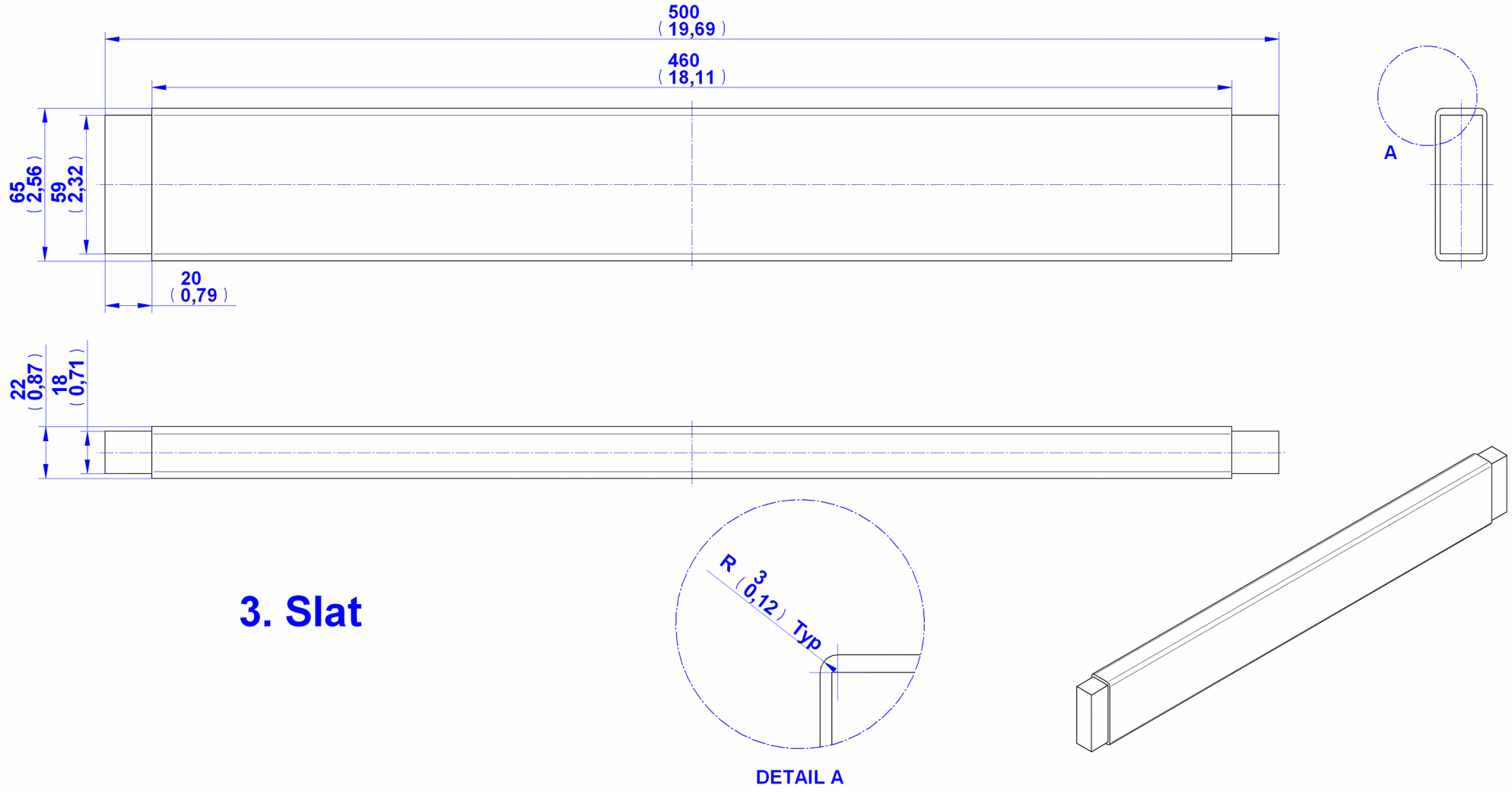


## Folding sun lounger assembly drawing

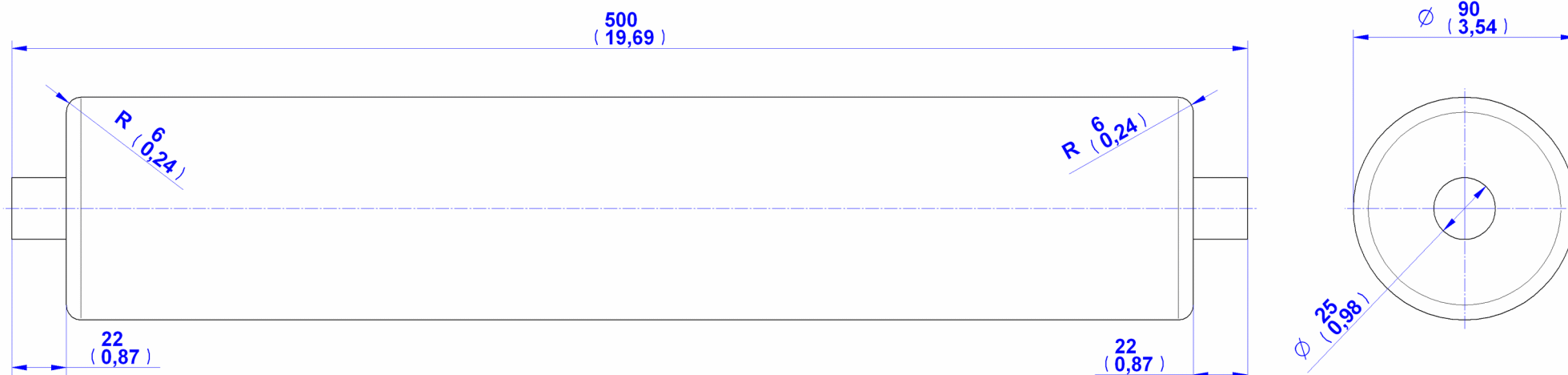




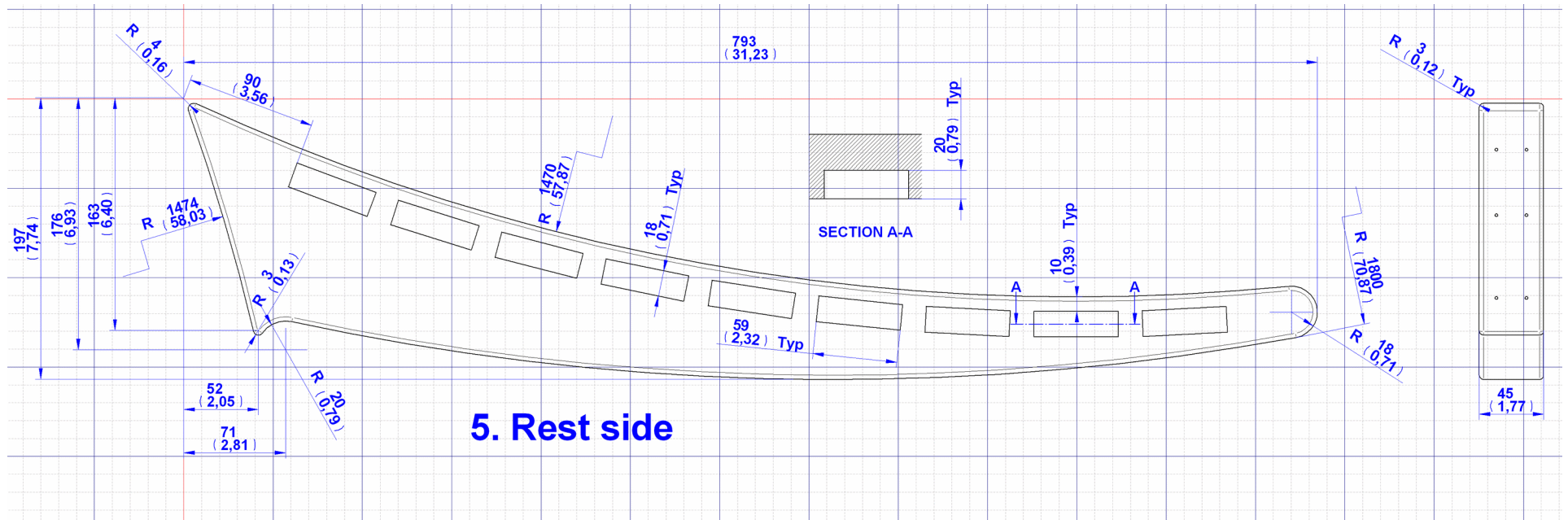




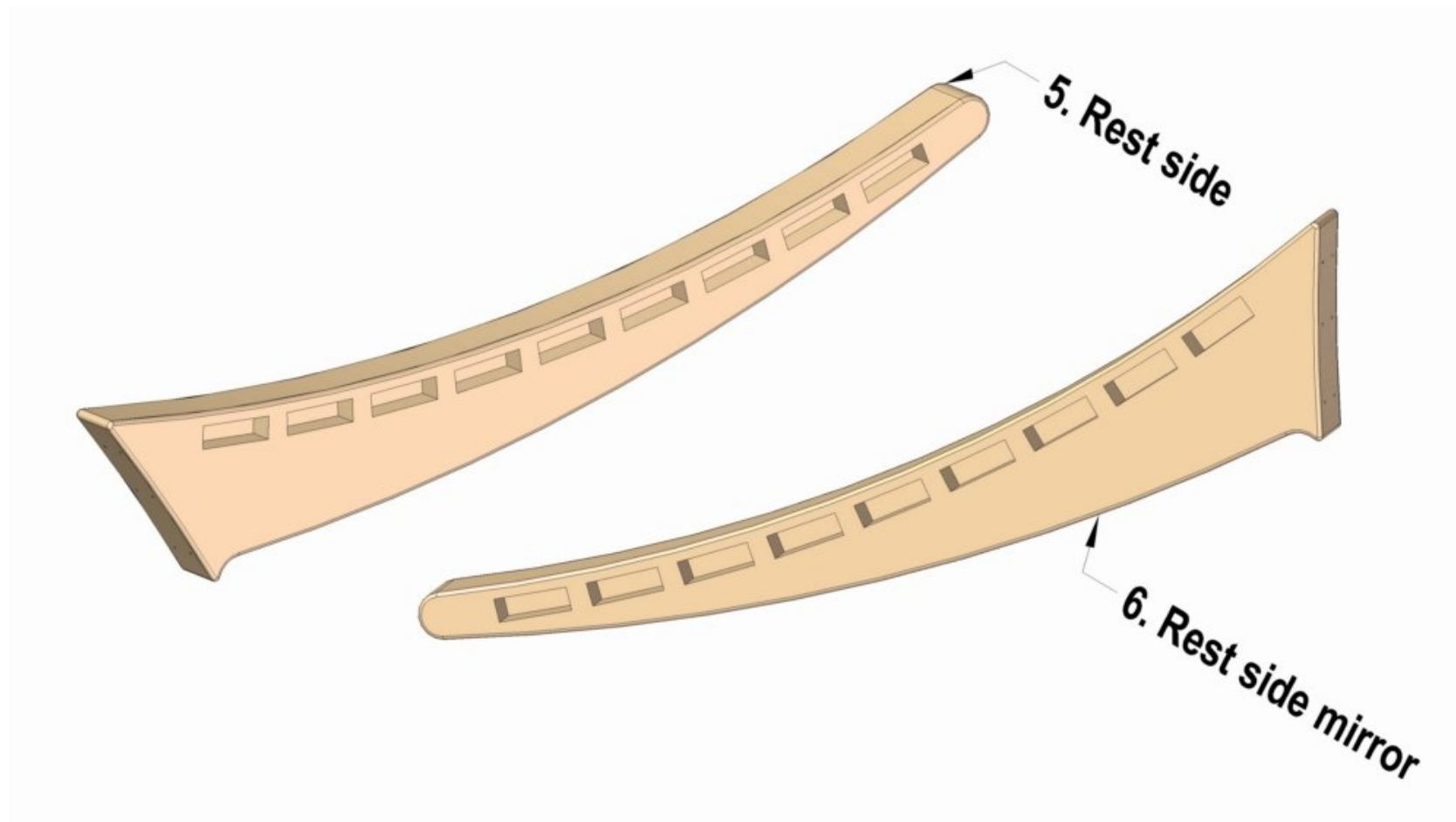
### 3. Slat



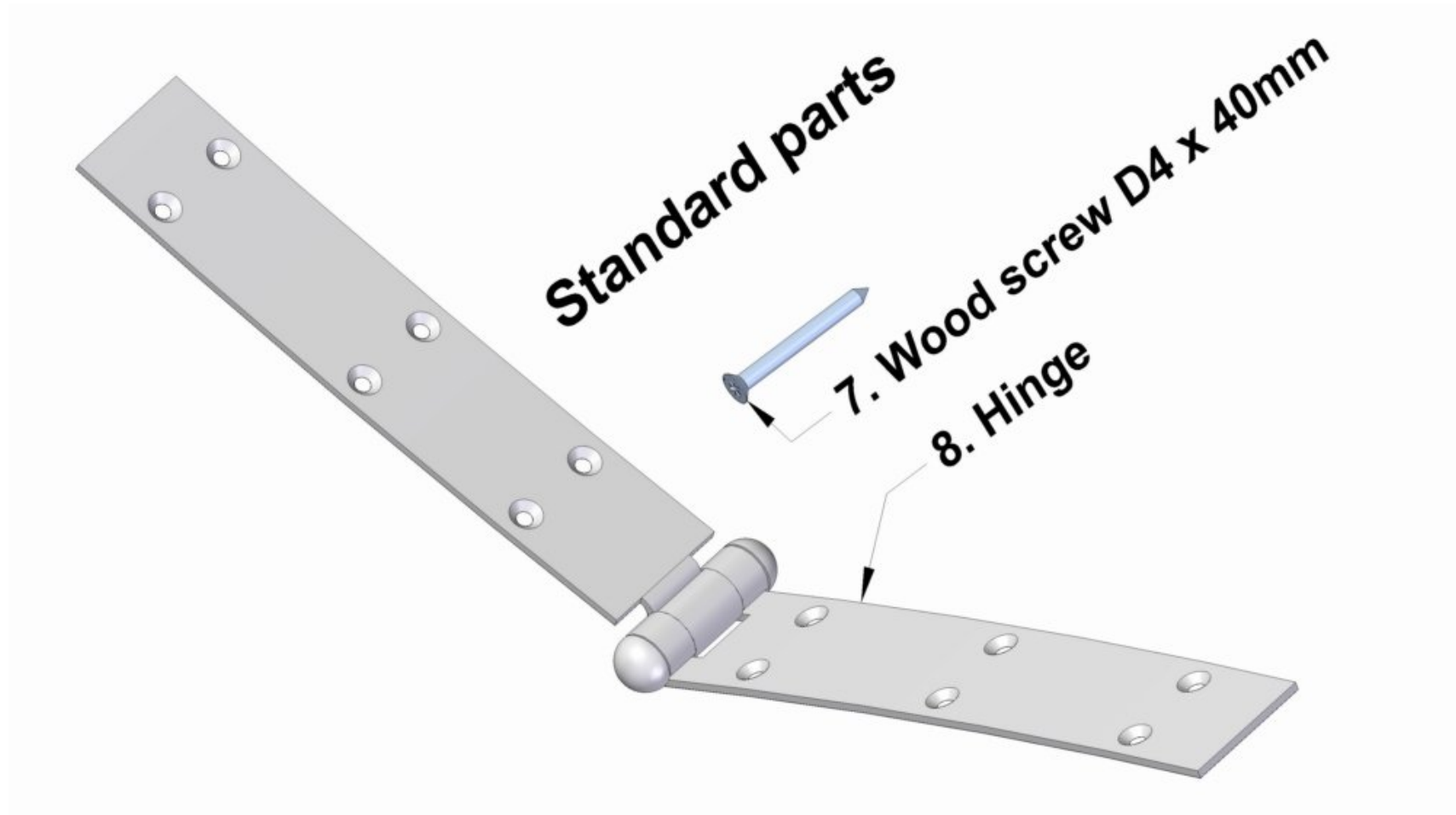
## 4. Roller





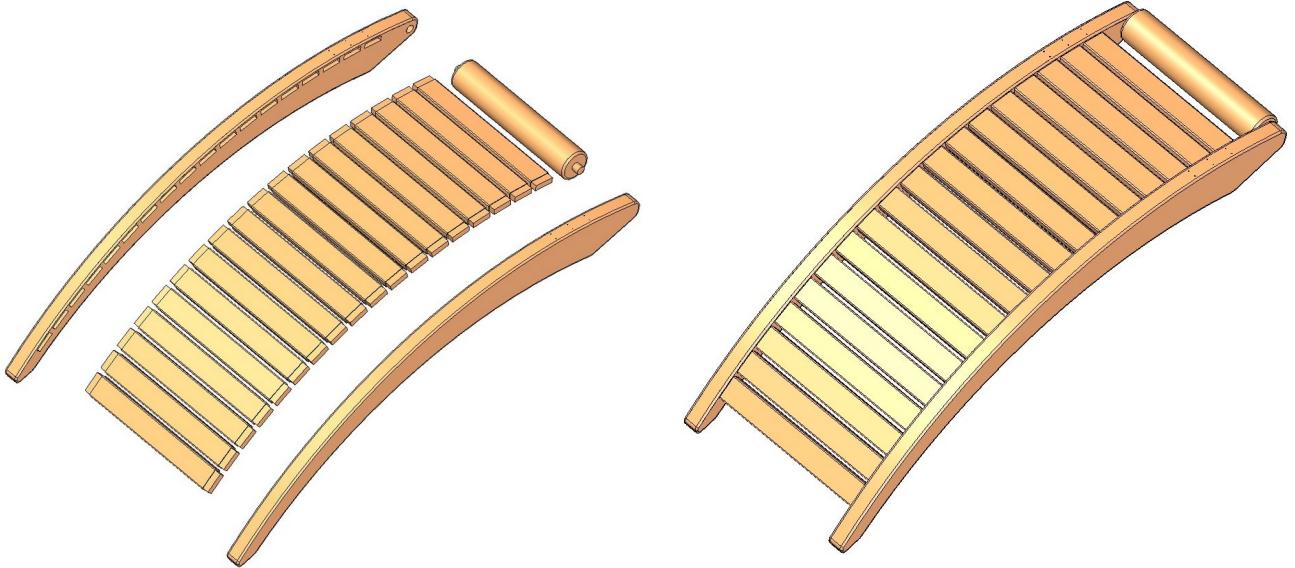


## Standard parts

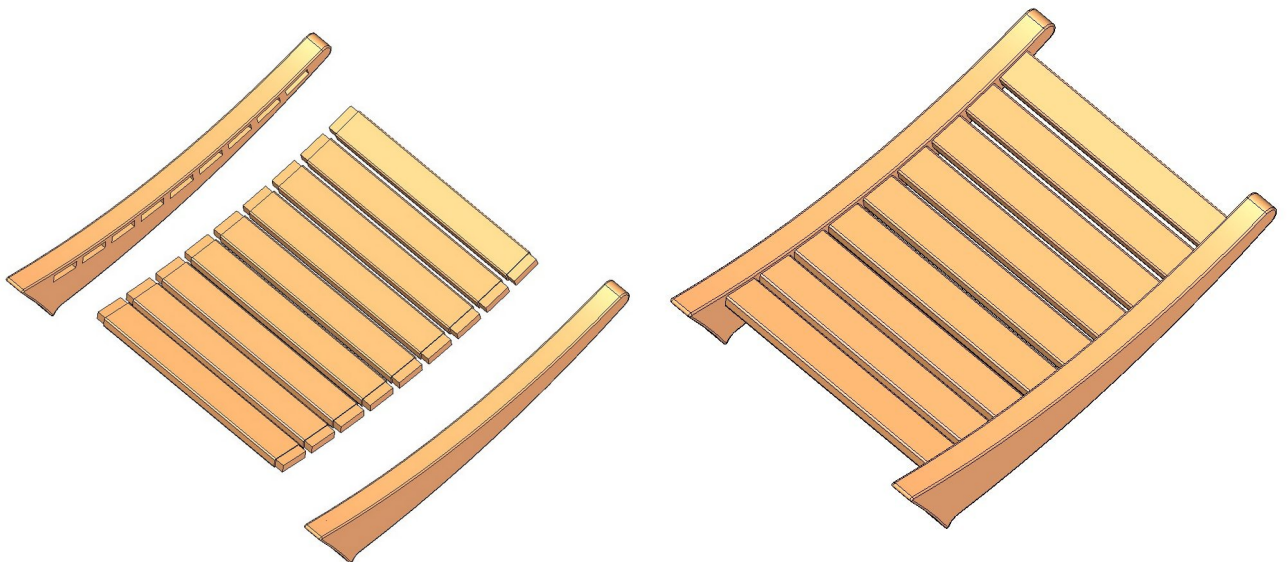


## Folding sun lounger assemblage images

1.



2.



3.

