

Garden tricycle plant holder plan



This tricycle plant holder can become a beautiful decoration in your home or garden.

In the plan that we offer you can find:

- drawings of parts with all necessary dimensions,
- a detailed drawing of the assembly
- exploded view that is an invaluable help in assembling the holder.

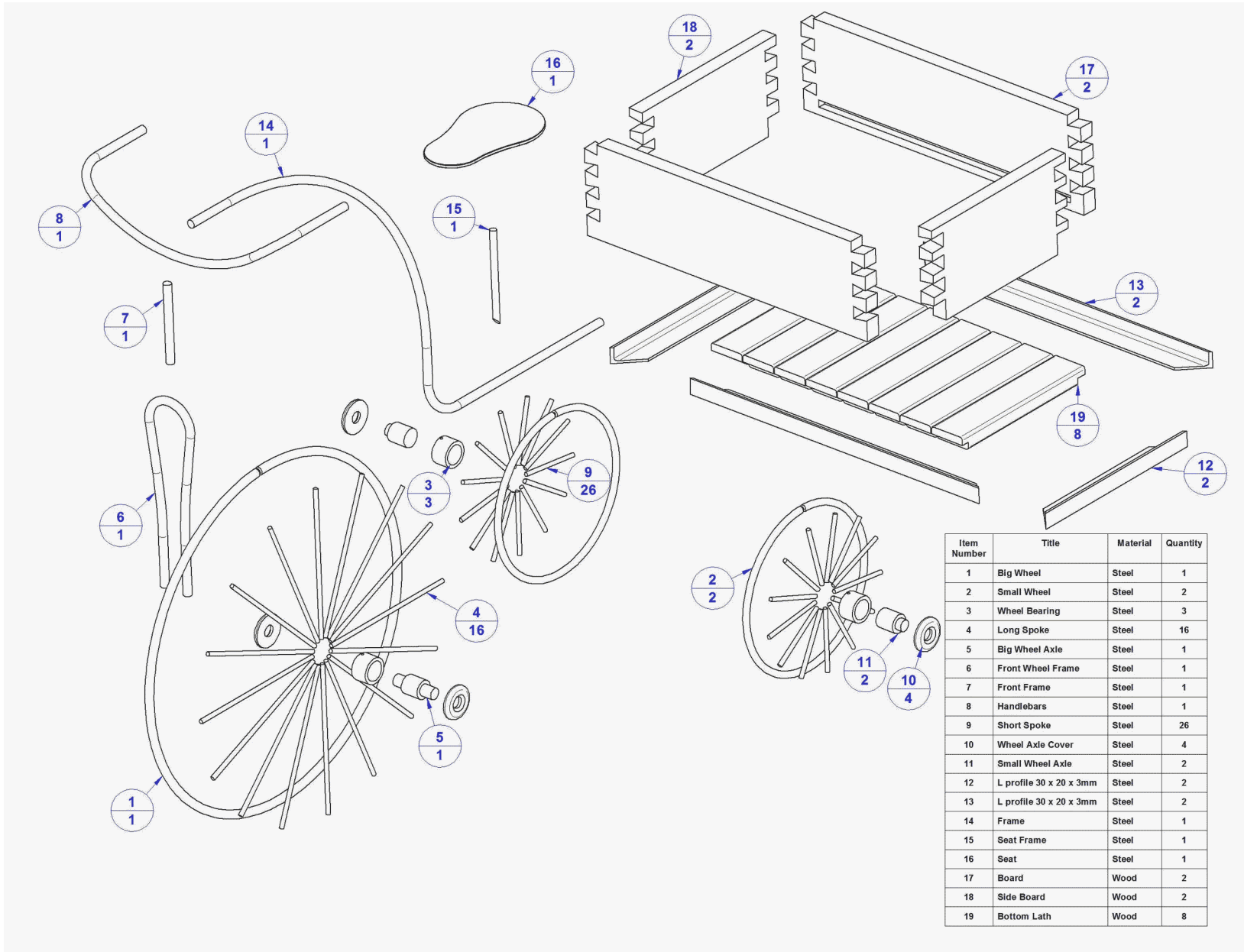
The tricycle plant holder plan can be downloaded in PDF format containing high resolution drawings. The inspiration for the look we found in the old bikes from the late 19th century, which were then called Penny-farthing bicycles. Penny-farthing bicycles are bikes where the front wheel is much bigger than the last. Penny-farthing bicycles can be found under the names of high wheel bicycle, high wheeler, Hi-wheel (modern variant), and an ordinary bicycle . This model is not very practical bike to ride, but his appearance is a clear association of the 19th century.

Tricycle plant holder is made of metal and wood. All metal parts are made of standard steel rods and profiles that you can find at a local hardware store. Metal parts are very simple and to make them you do not need extensive knowledge and experience. All connections between the metal parts are welded.

The box on the back of the tricycle plant holder is made of wood and for its production can be used any type of wood. If you want the tricycle plant holder keep outdoor, you should choose wood that is resistant to weather conditions or to protect it. For the wooden box to have an antique look, we suggest you use dovetail joints between parts 17 and 18. The construction of the box can be made a lot easier using woodworking joints which are easier to make, and the box itself is sure to captivate attention if you paint it nicely. If you have access to some beautiful box, adjust the tricycle back to its size and you can get your original tricycle plant holder.

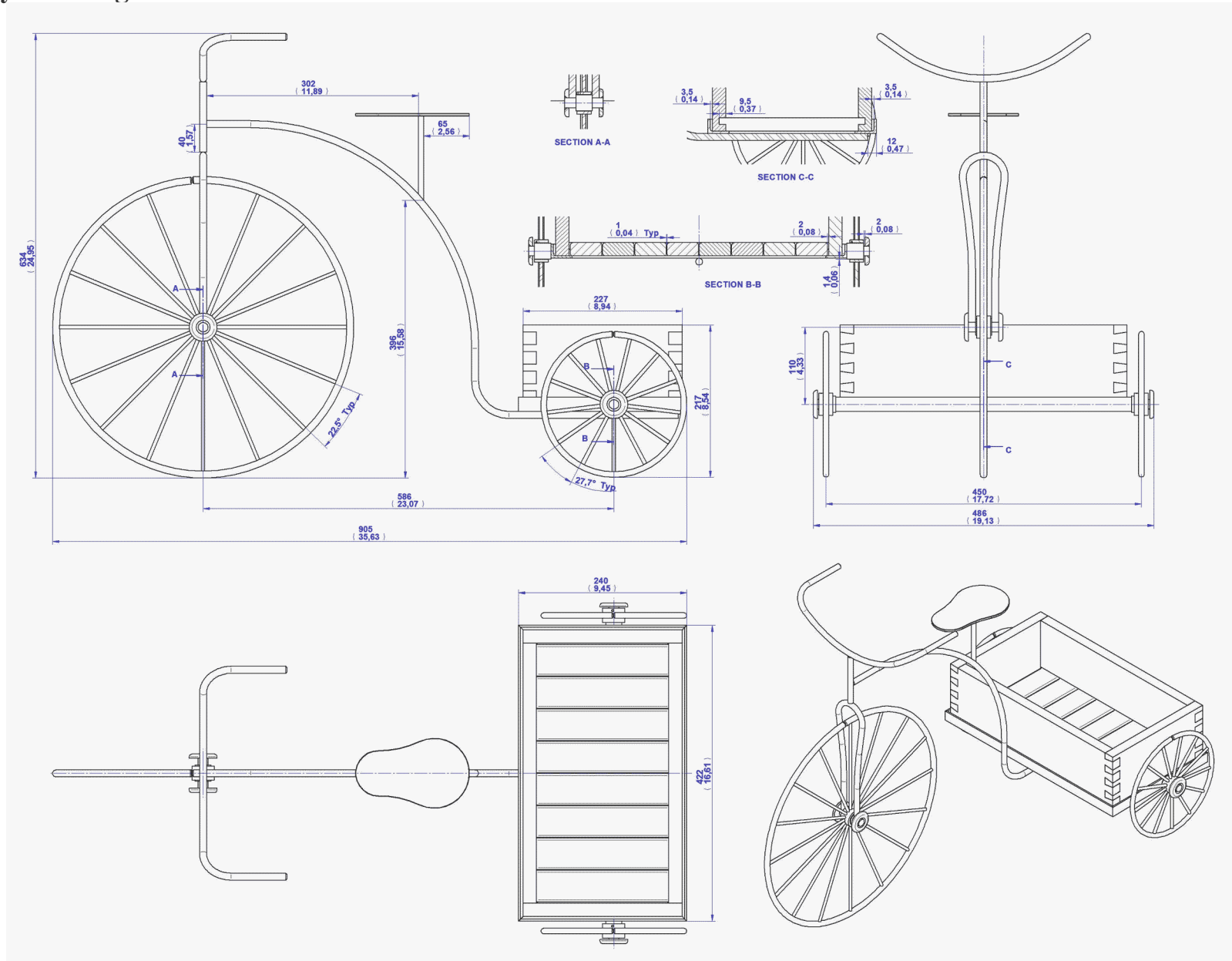
Pots of flowers can be placed in a wooden box, you can attach them to the seat, or you can attach them to the wheel. We recommend that you choose the type of flowers that do not grow exuberantly, in order to achieve a balance between the amount of plants and the decorative appearance of the design stand.

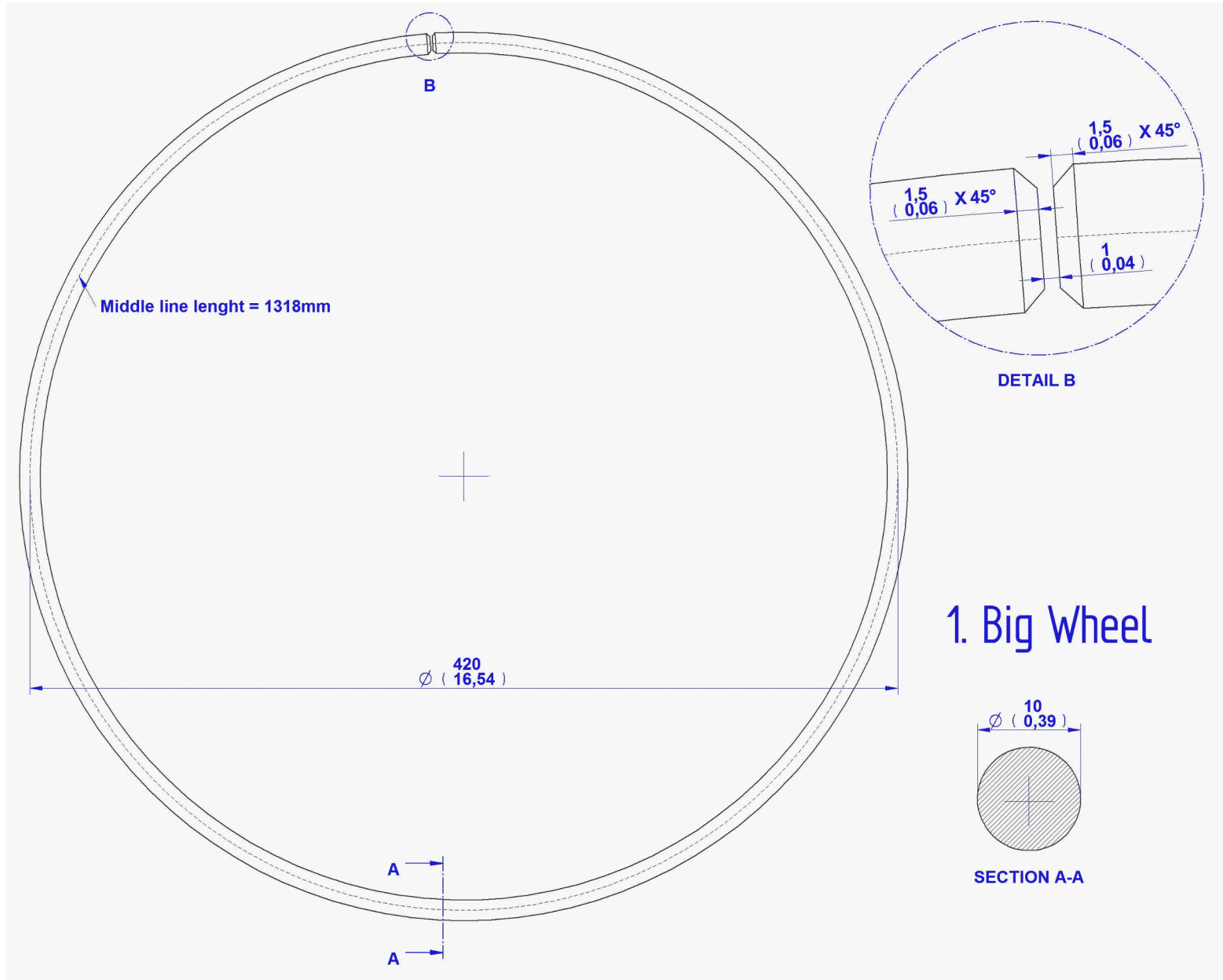
Parts List

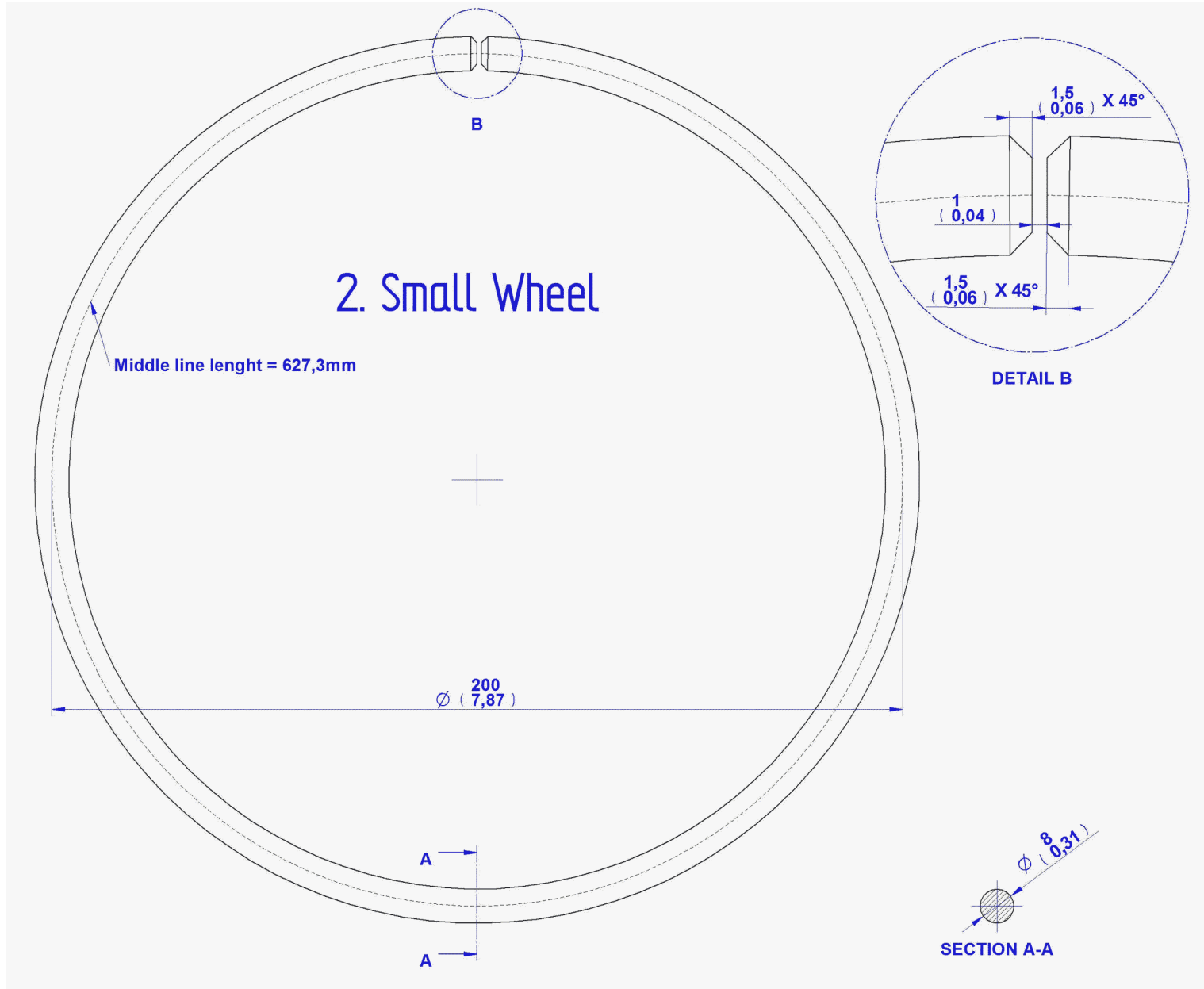


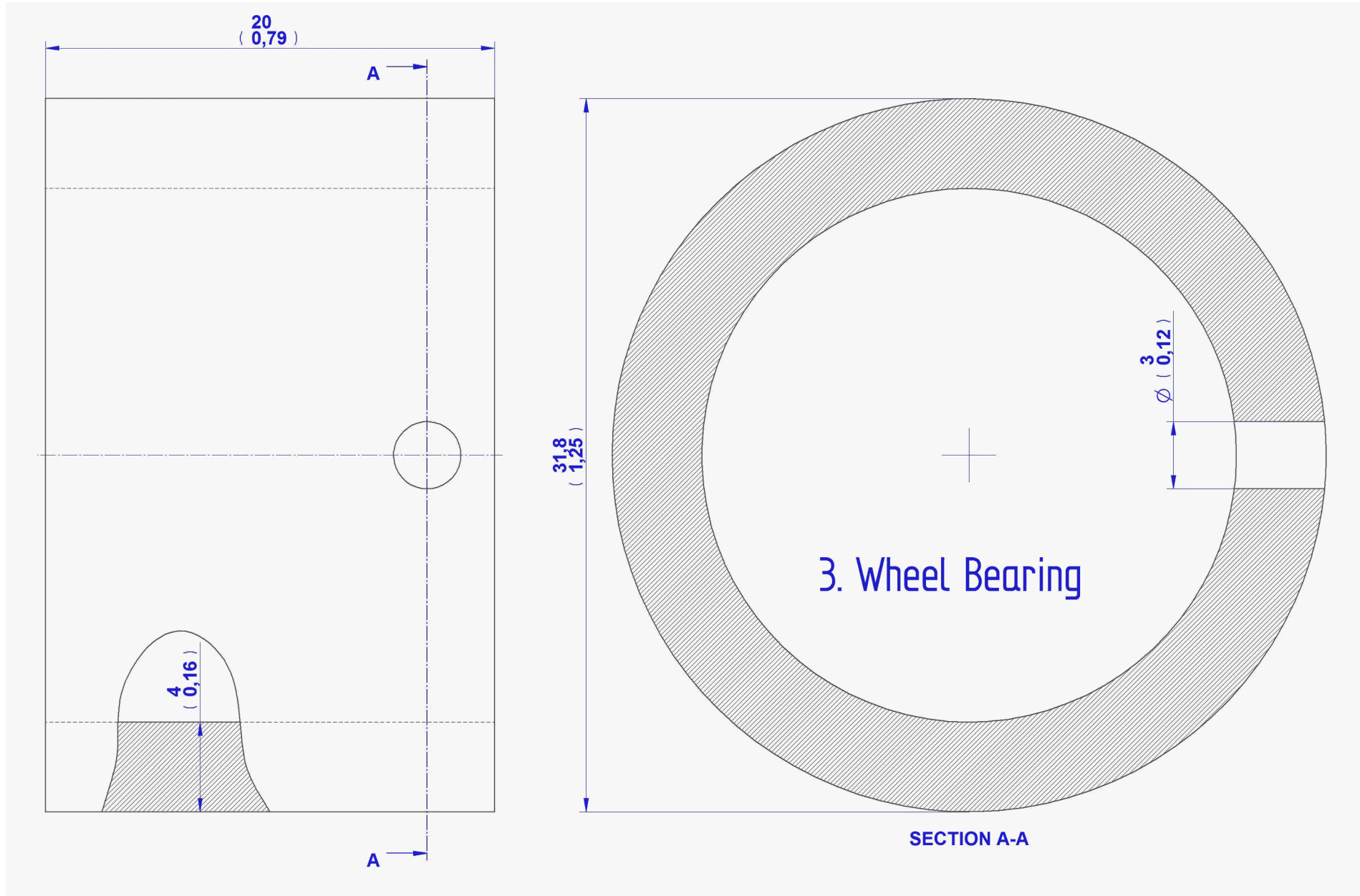
Item Number	Title	Material	Quantity
1	Big Wheel	Steel	1
2	Small Wheel	Steel	2
3	Wheel Bearing	Steel	3
4	Long Spoke	Steel	16
5	Big Wheel Axle	Steel	1
6	Front Wheel Frame	Steel	1
7	Front Frame	Steel	1
8	Handlebars	Steel	1
9	Short Spoke	Steel	26
10	Wheel Axle Cover	Steel	4
11	Small Wheel Axle	Steel	2
12	L profile 30 x 20 x 3mm	Steel	2
13	L profile 30 x 20 x 3mm	Steel	2
14	Frame	Steel	1
15	Seat Frame	Steel	1
16	Seat	Steel	1
17	Board	Wood	2
18	Side Board	Wood	2
19	Bottom Lath	Wood	8

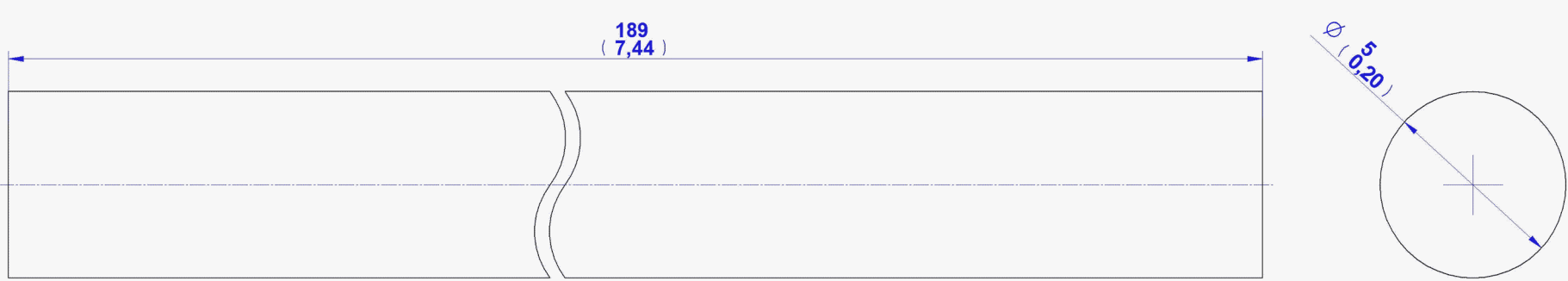
Assembly Drawing



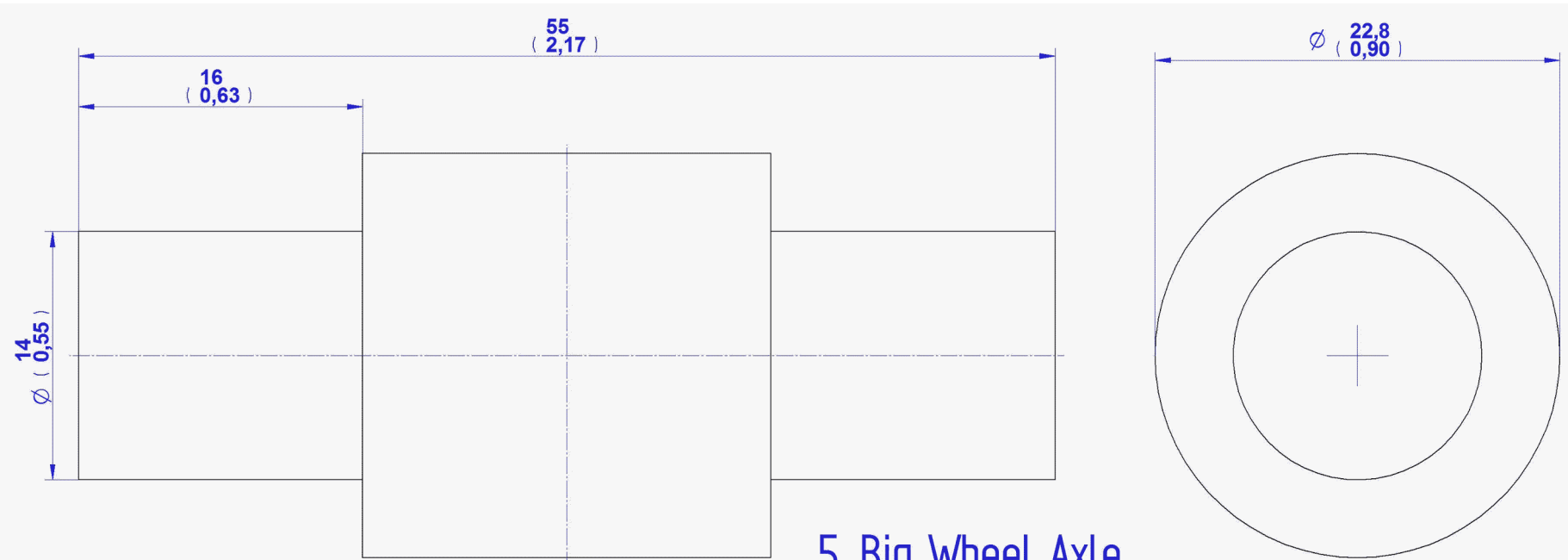




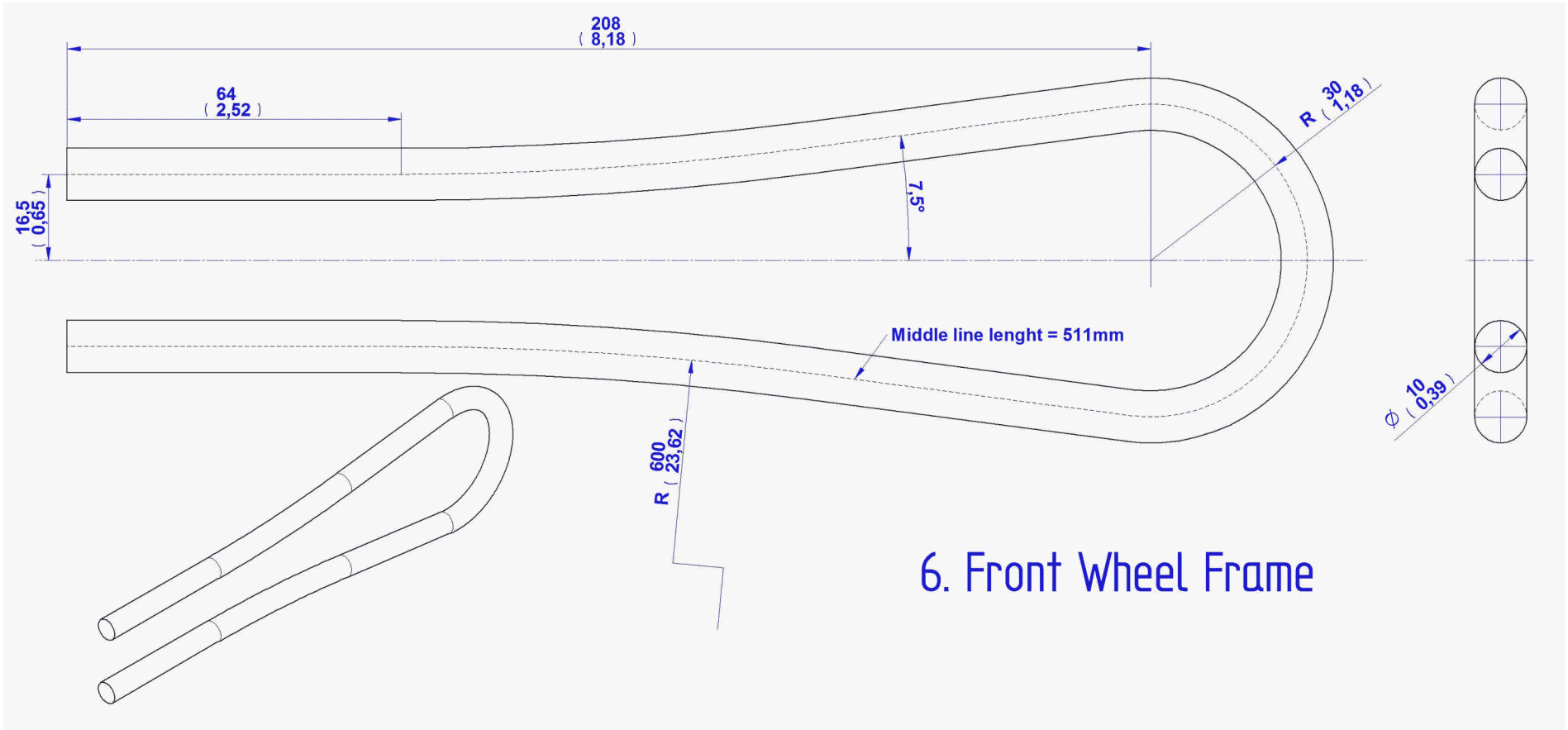


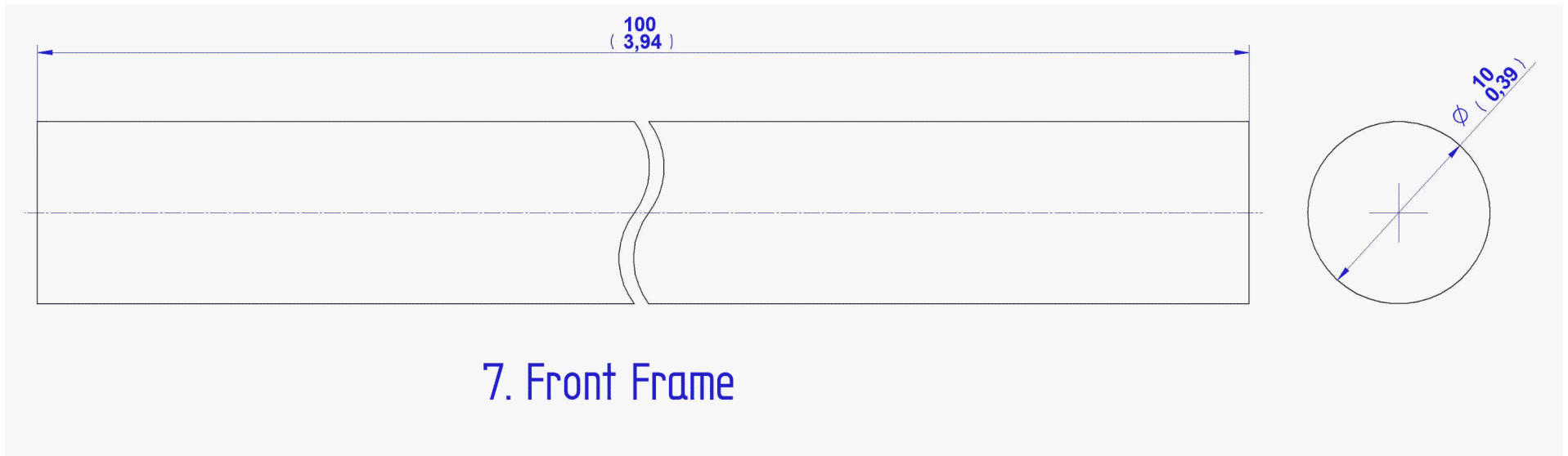


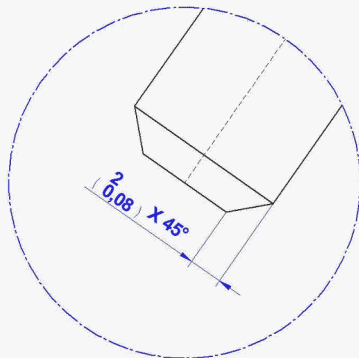
4. Long Spoke



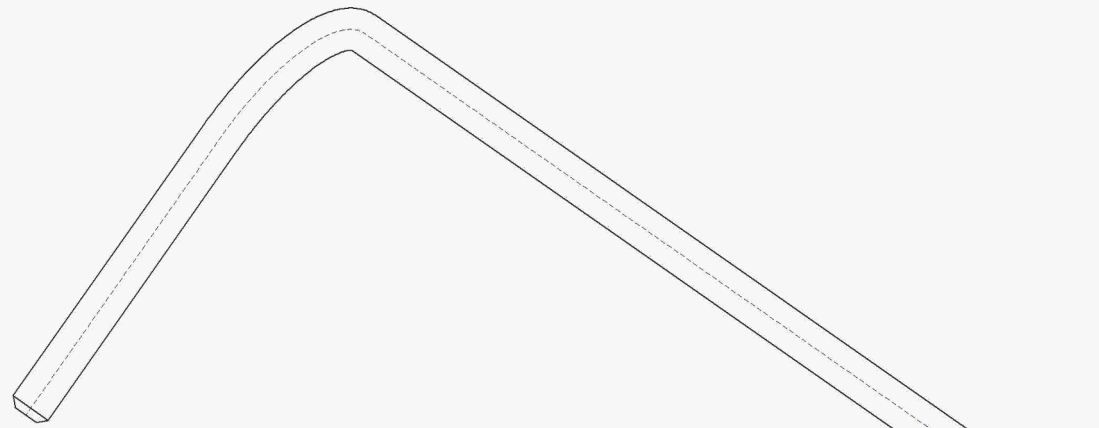
5. Big Wheel Axle



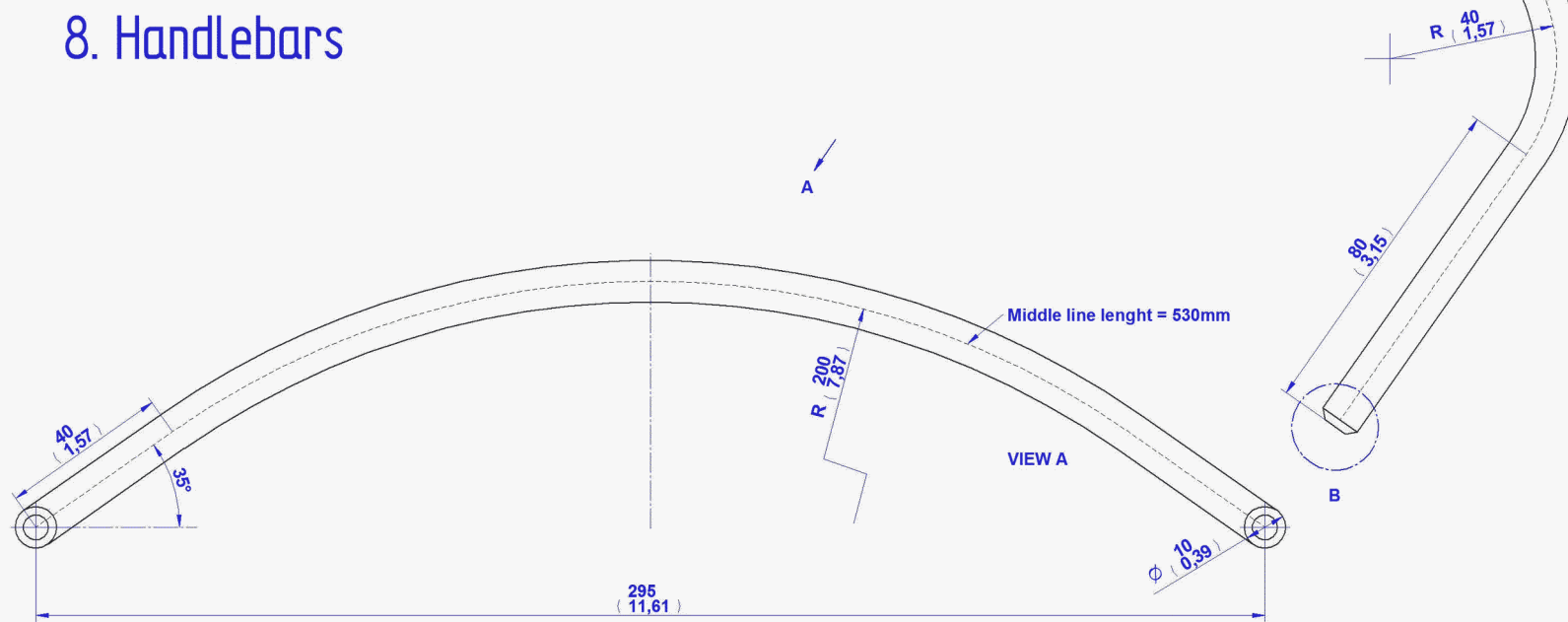


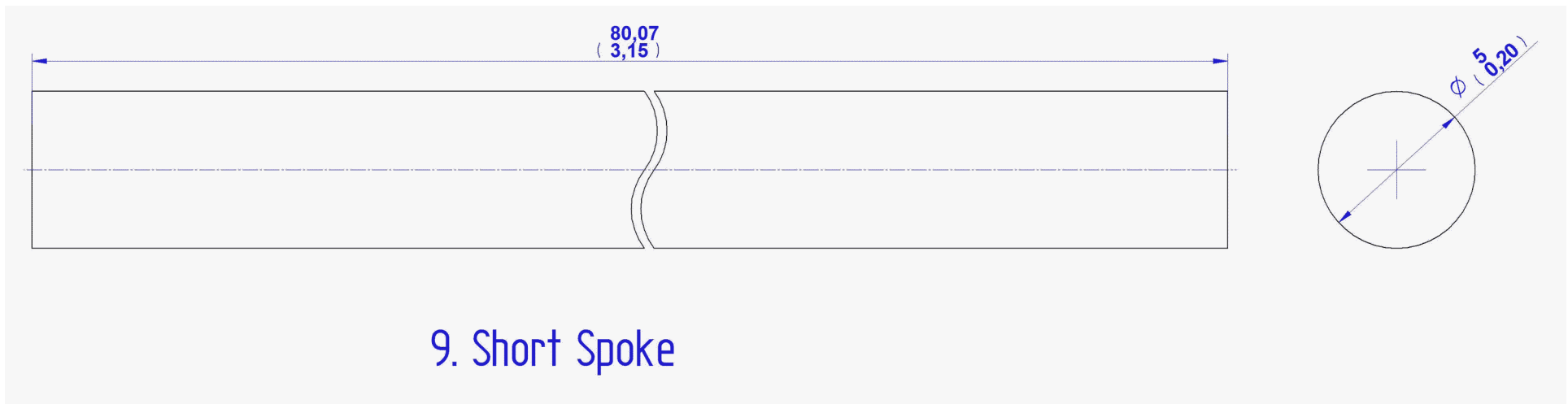


DETAIL B

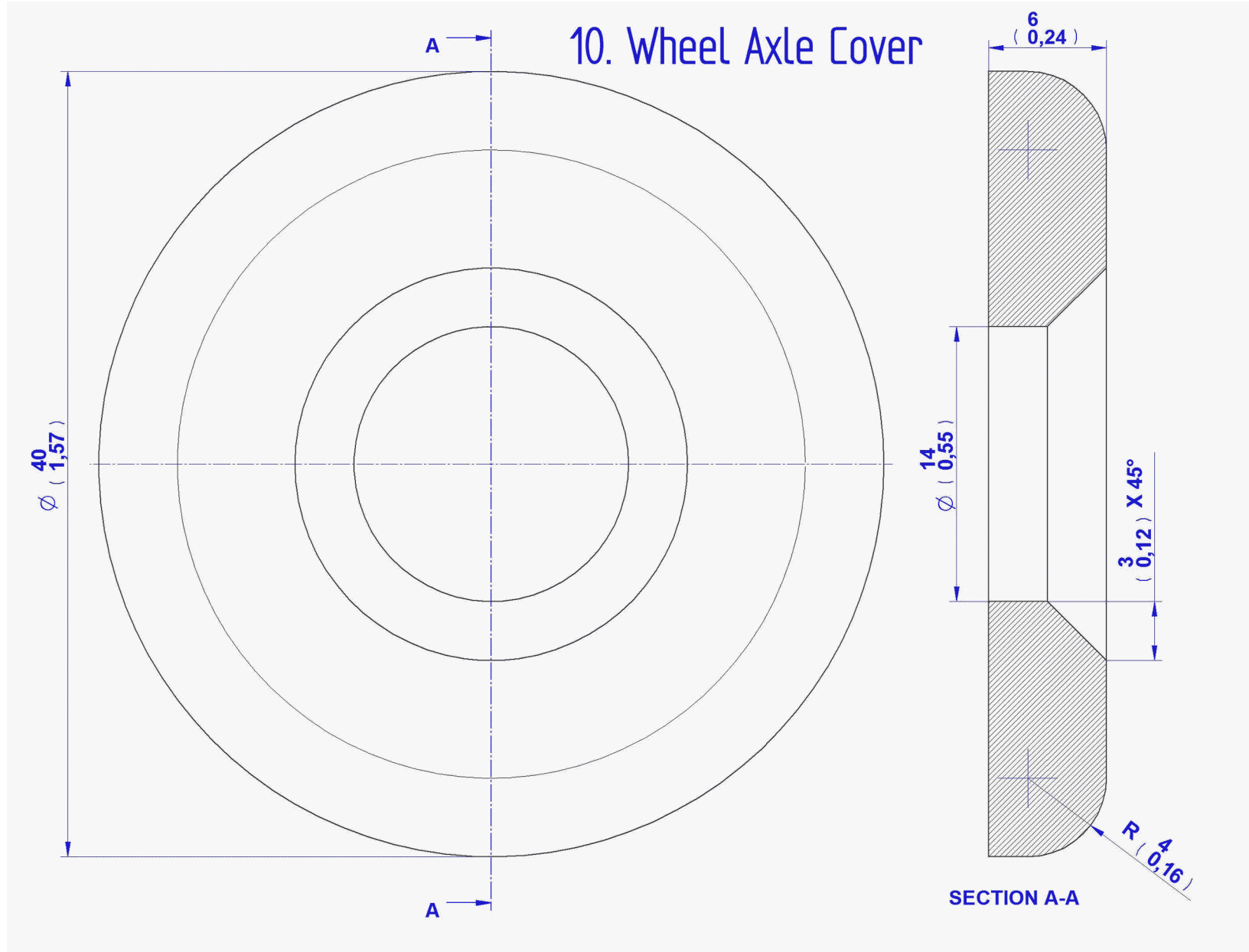


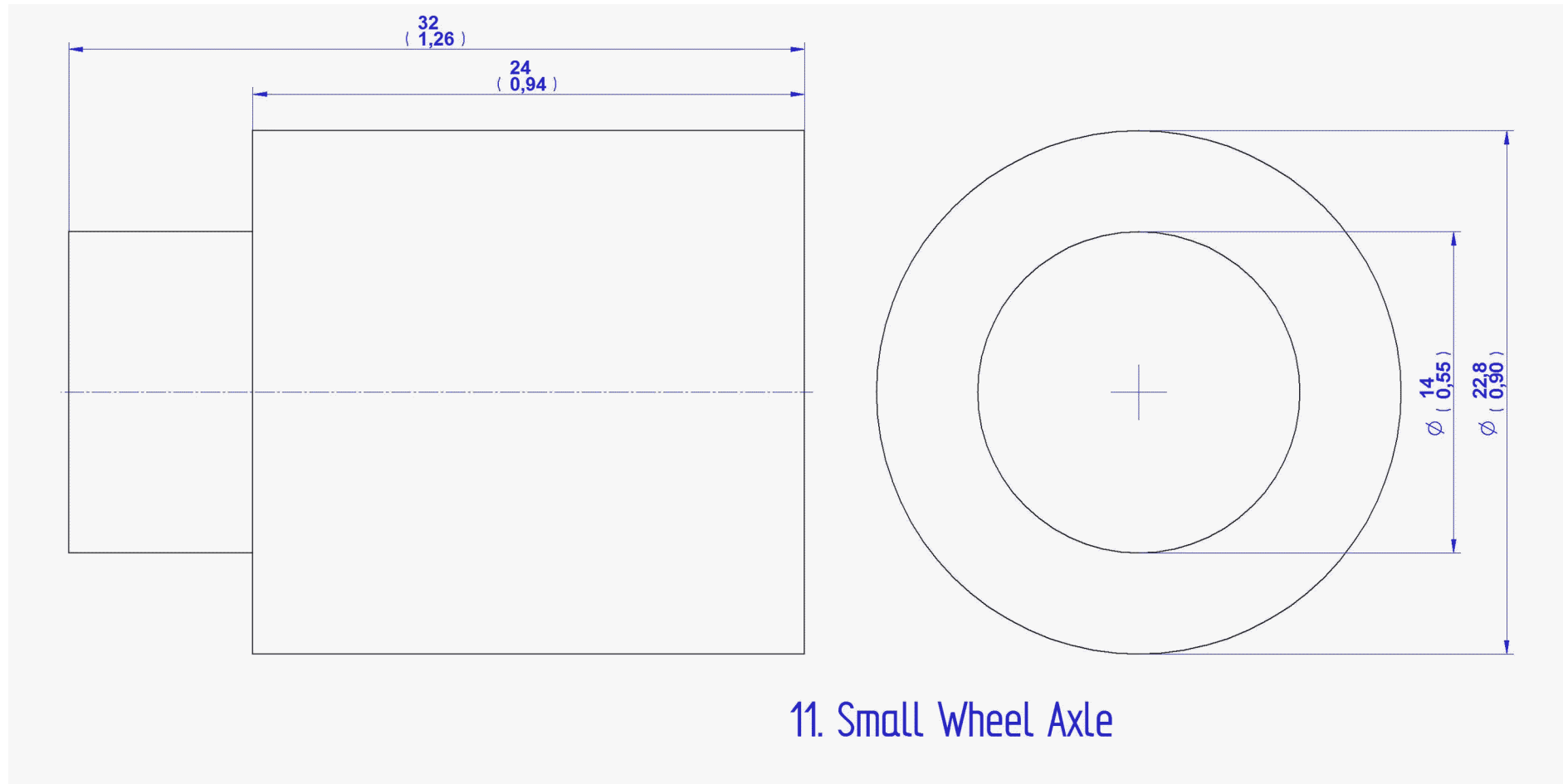
8. Handlebars

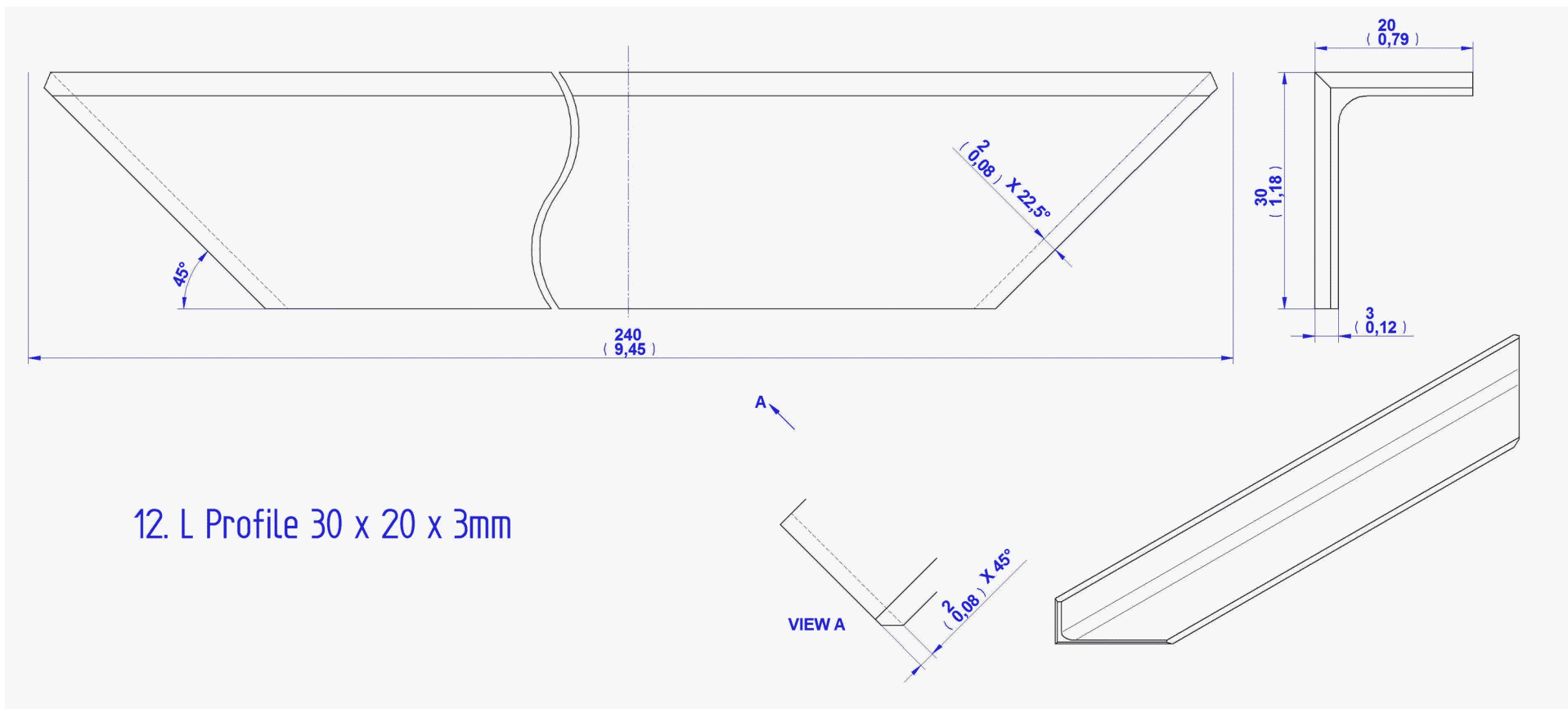




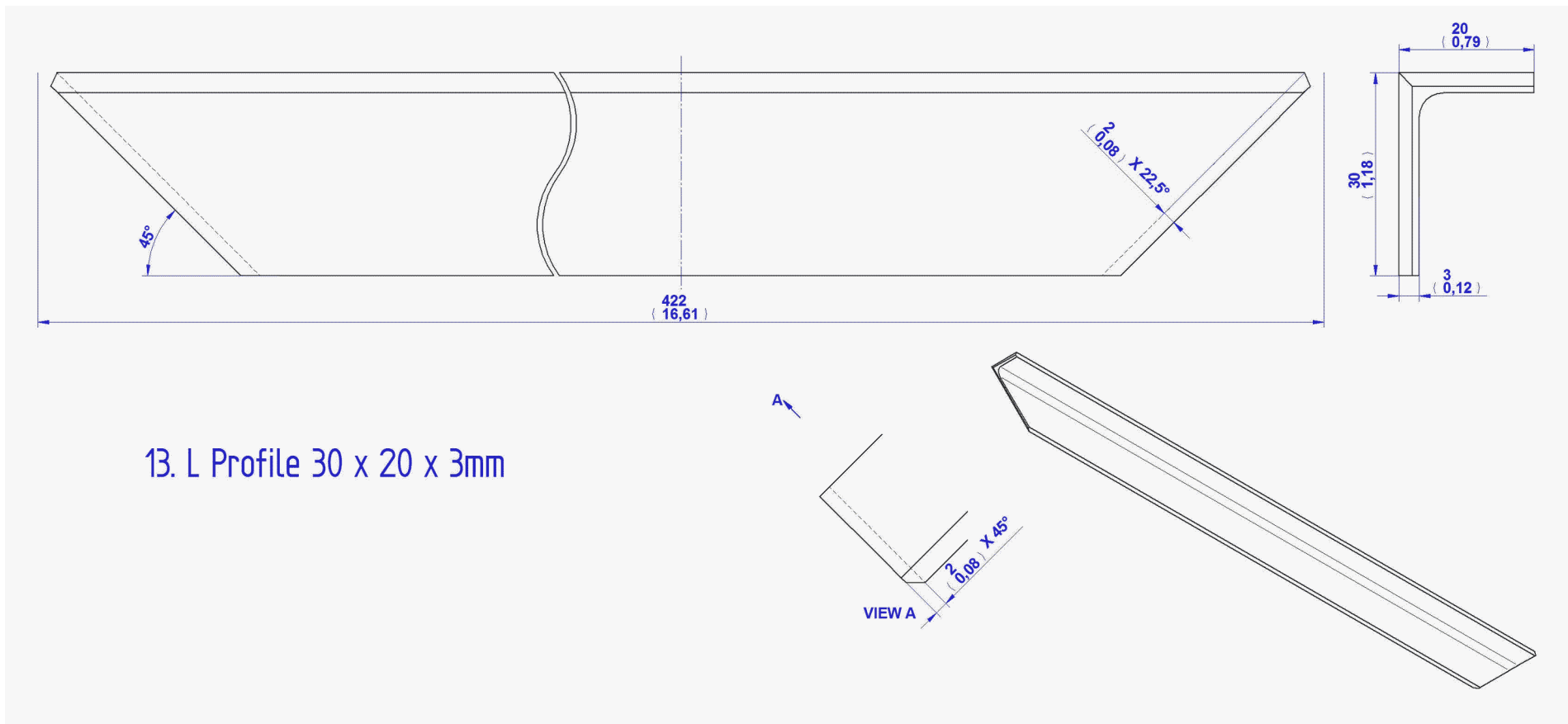
9. Short Spoke

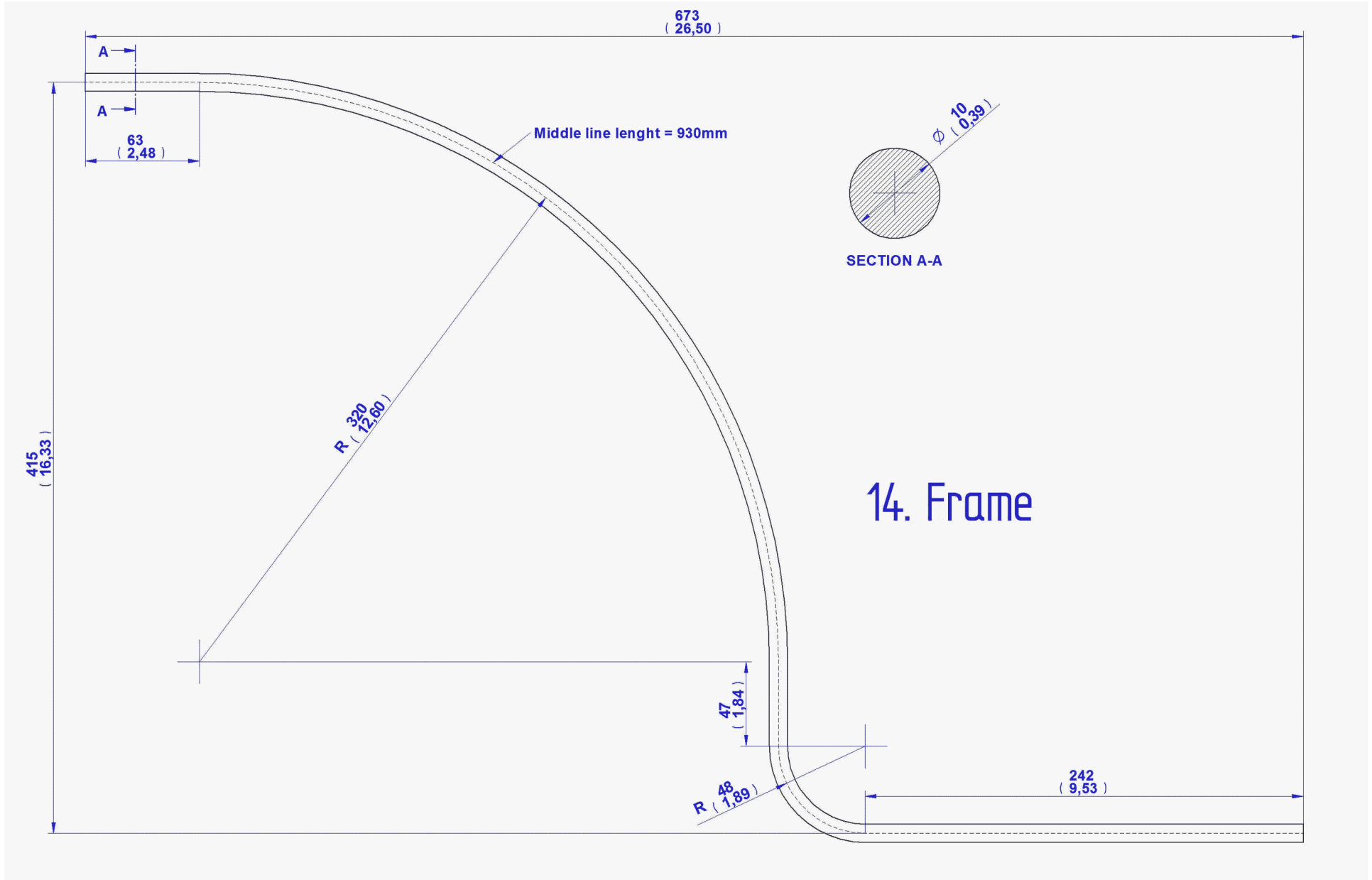


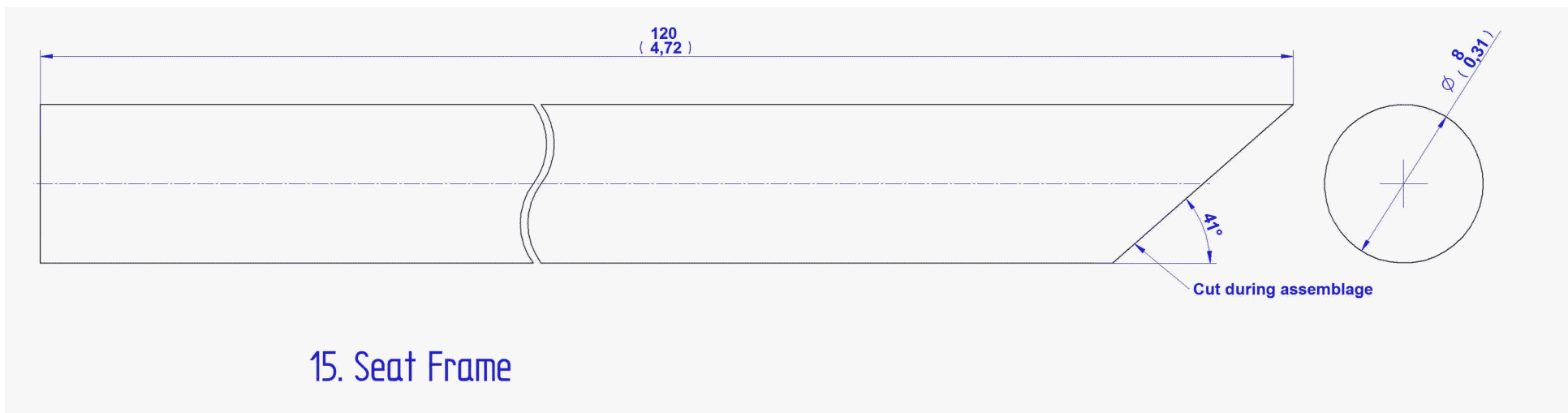


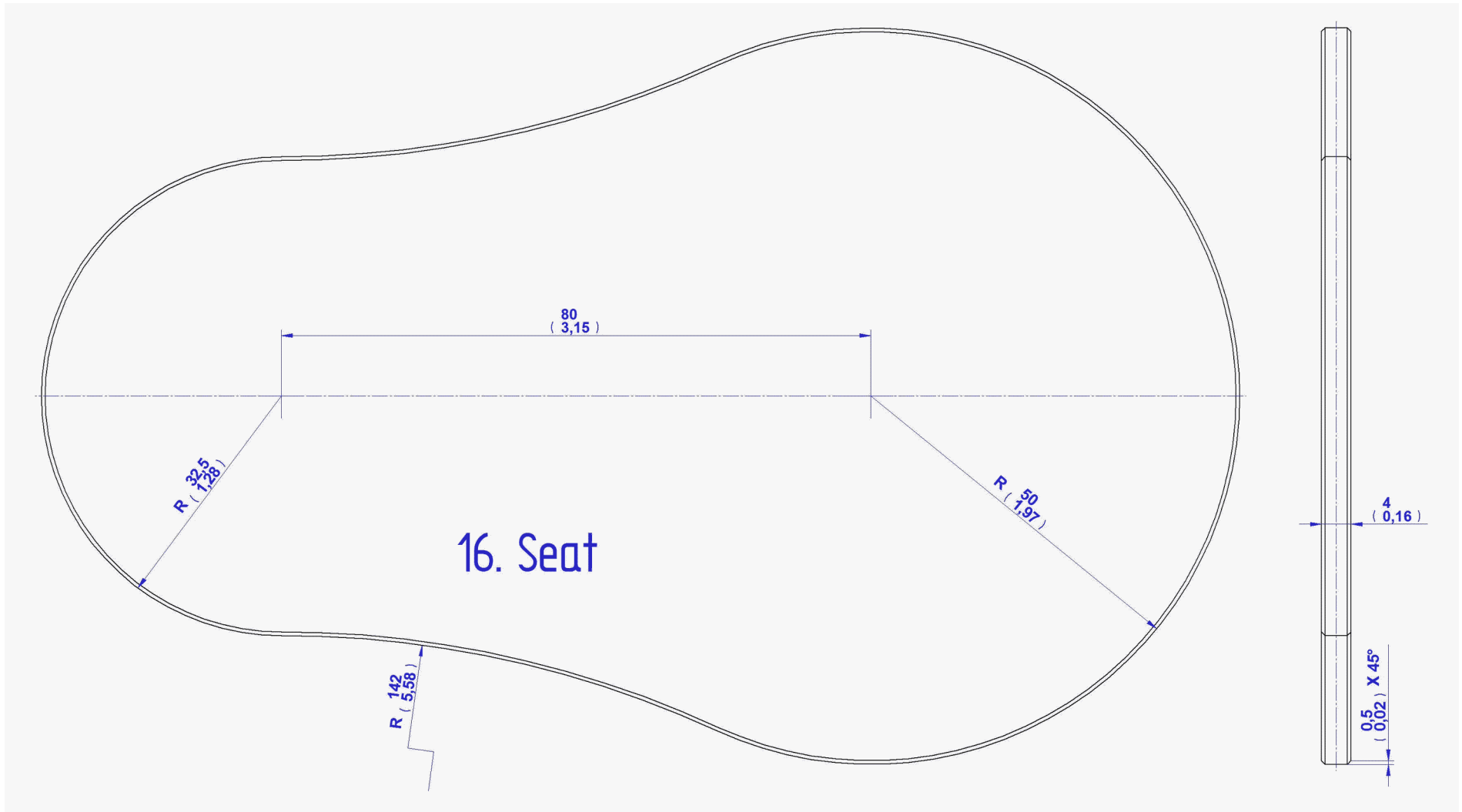


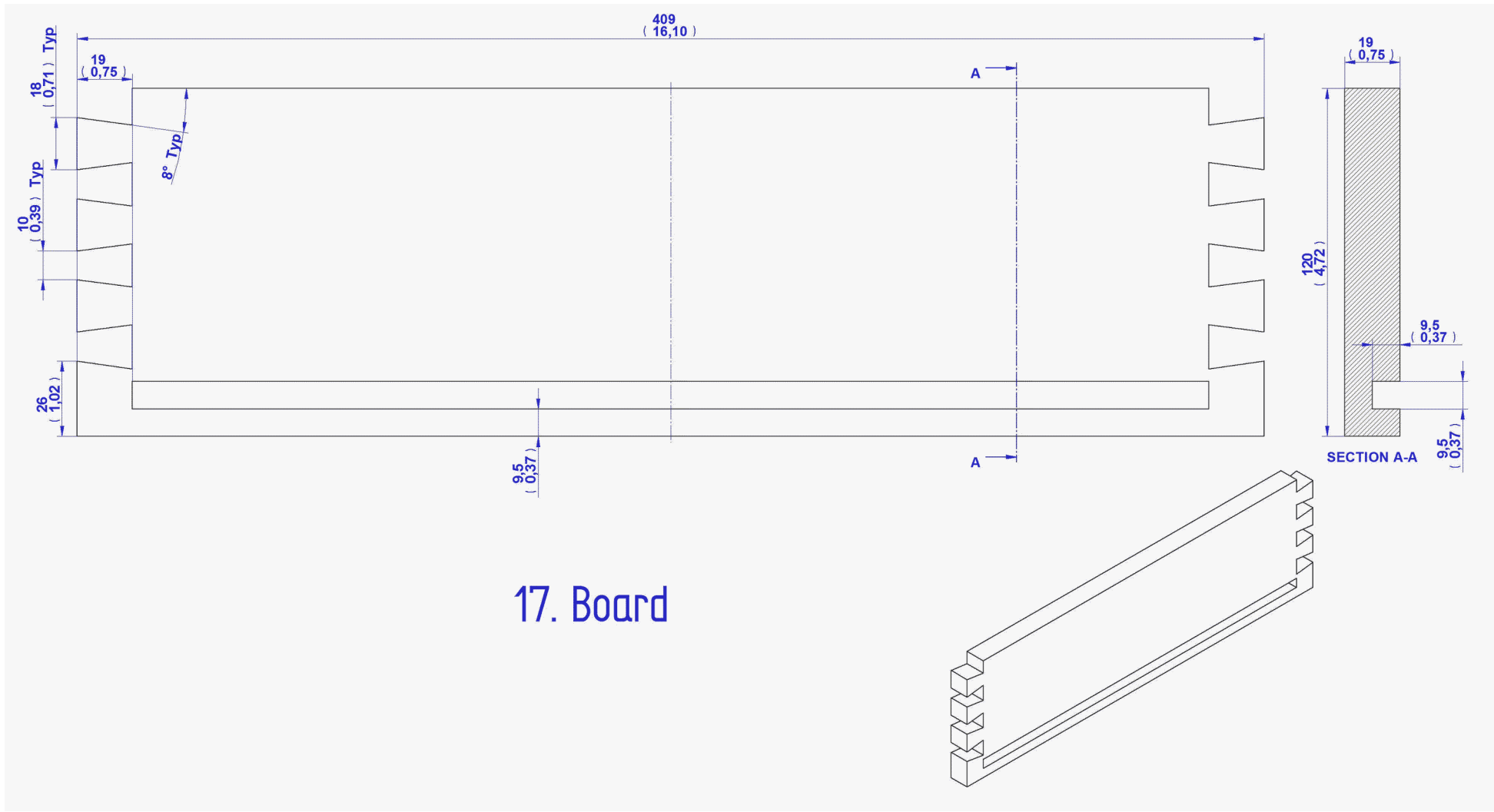
12. L Profile 30 x 20 x 3mm



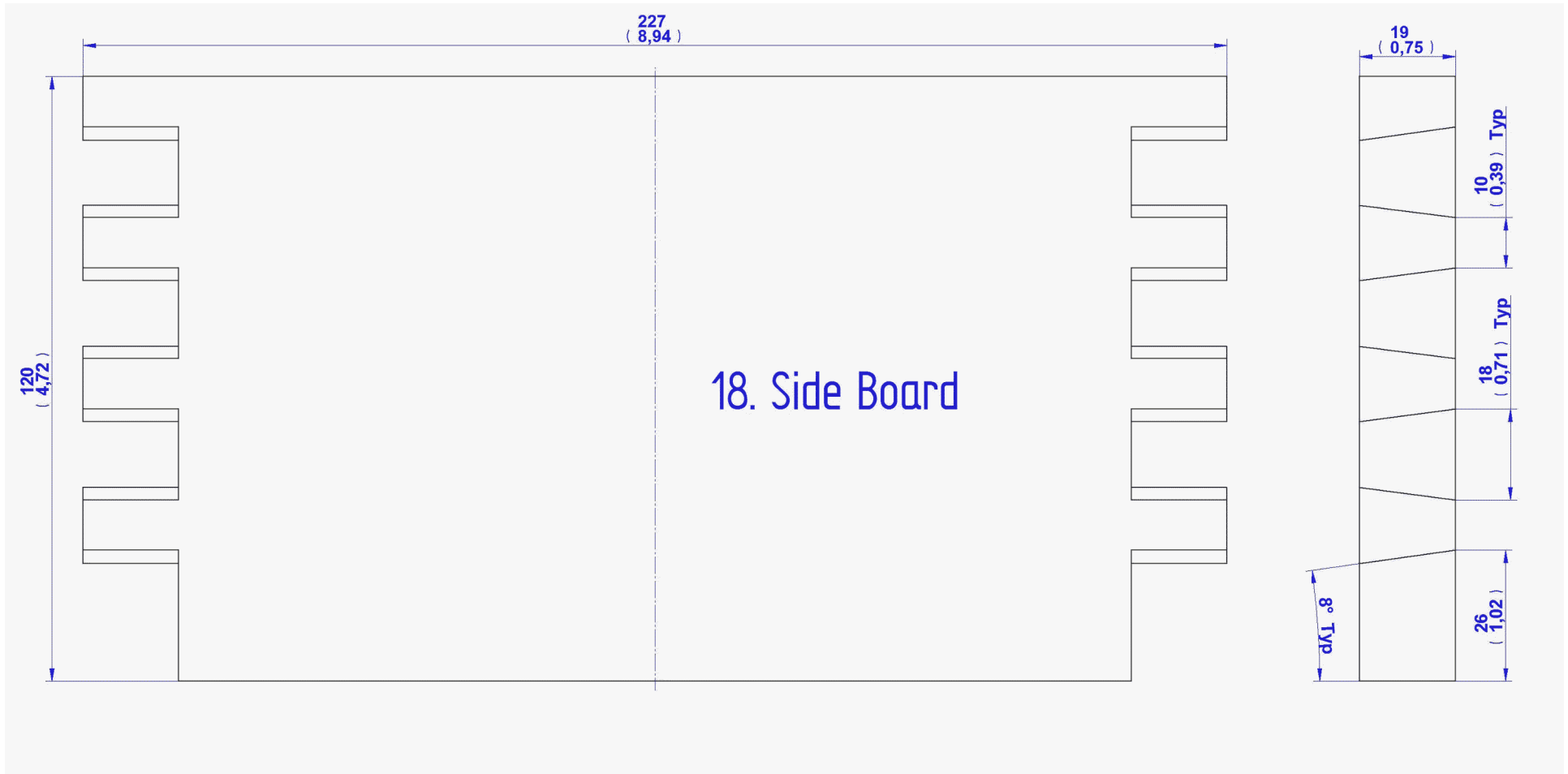


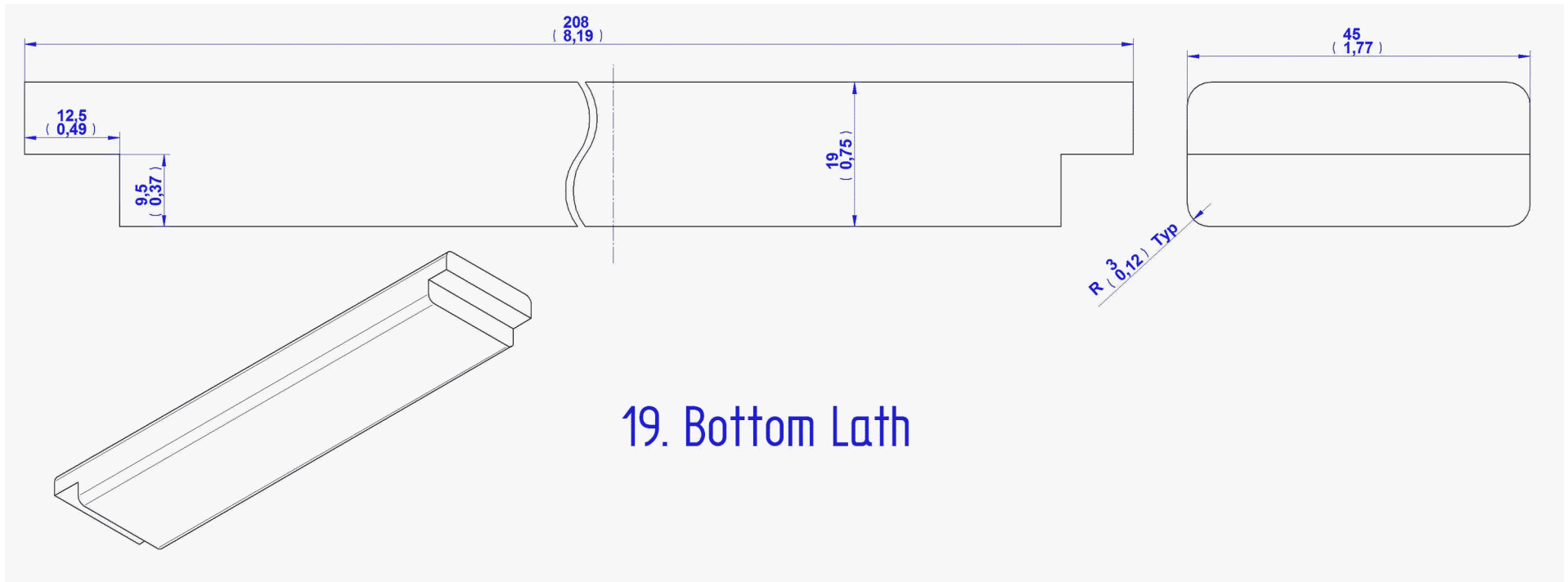






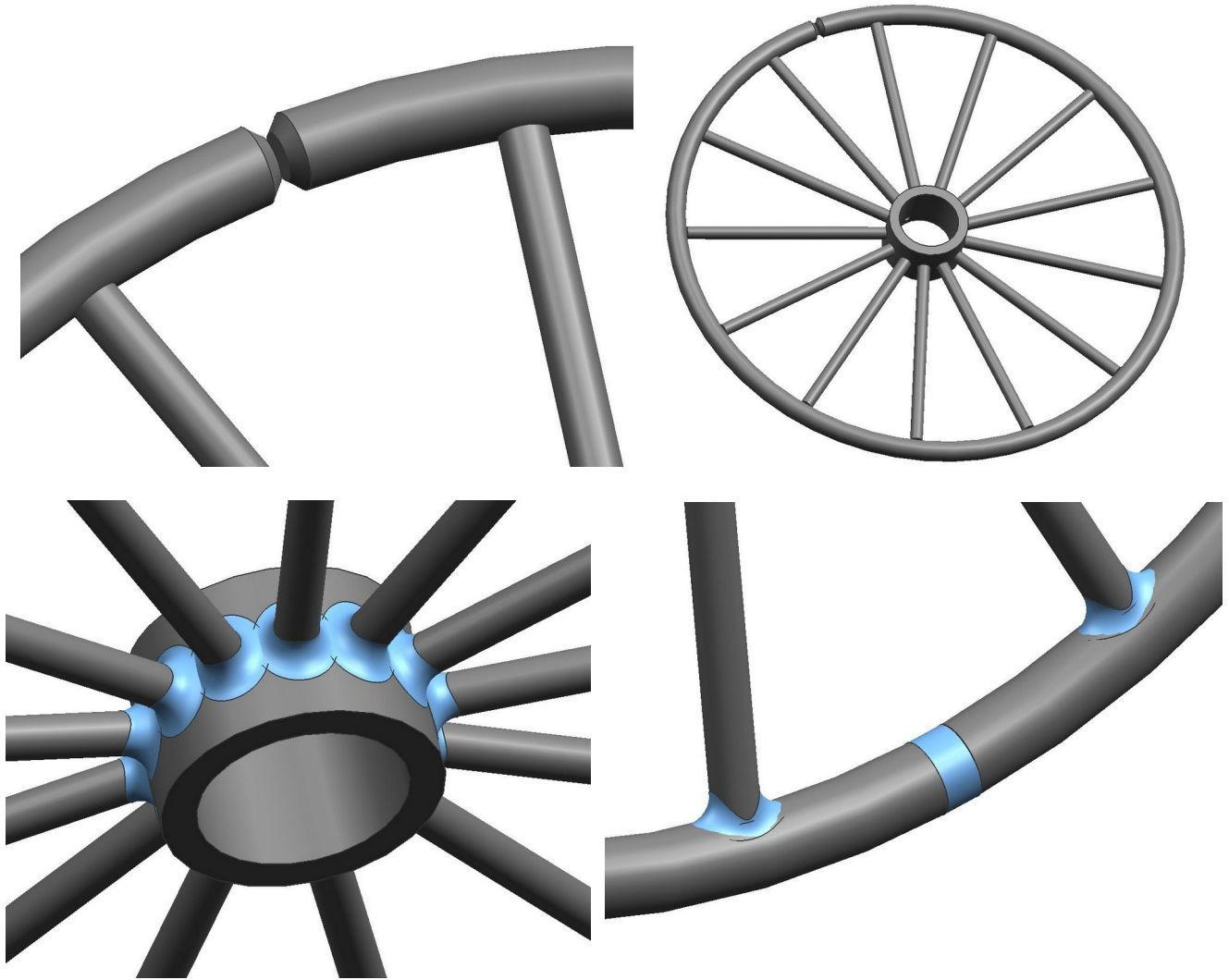
17. Board



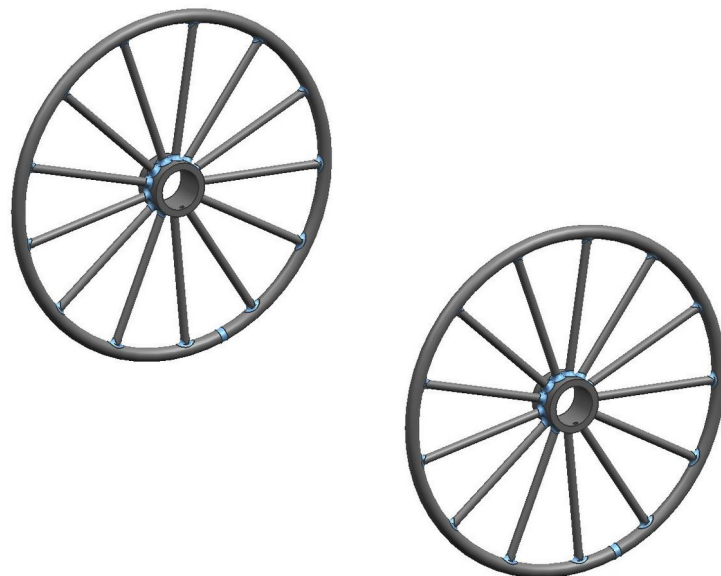


Assemblage images

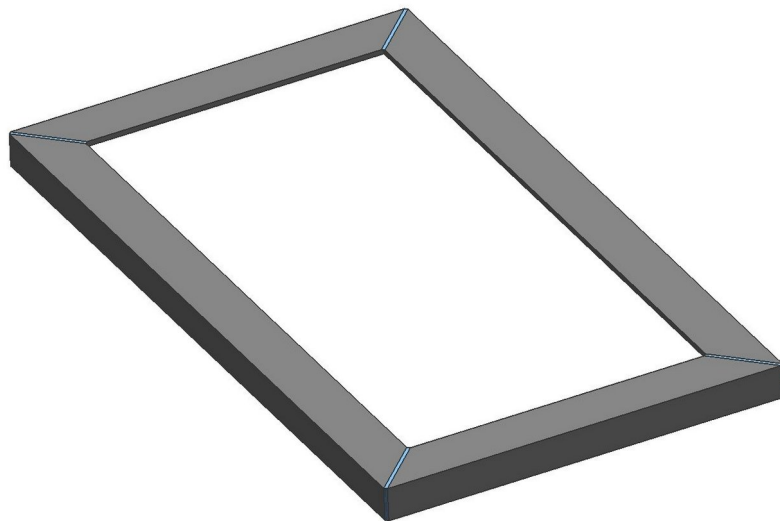
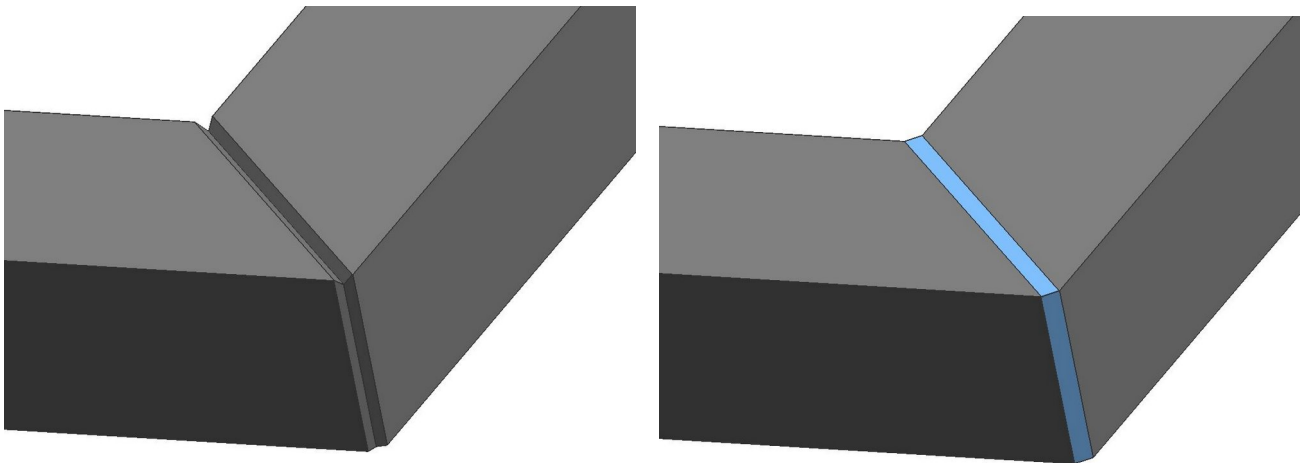
1.



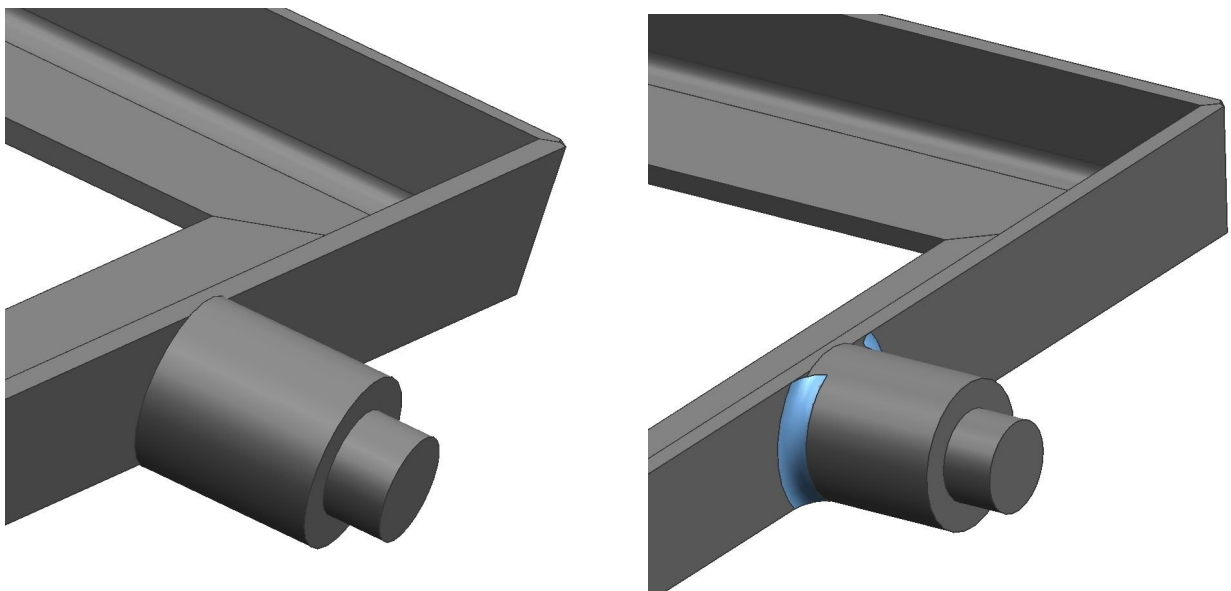
You will need two of these subassemblies.

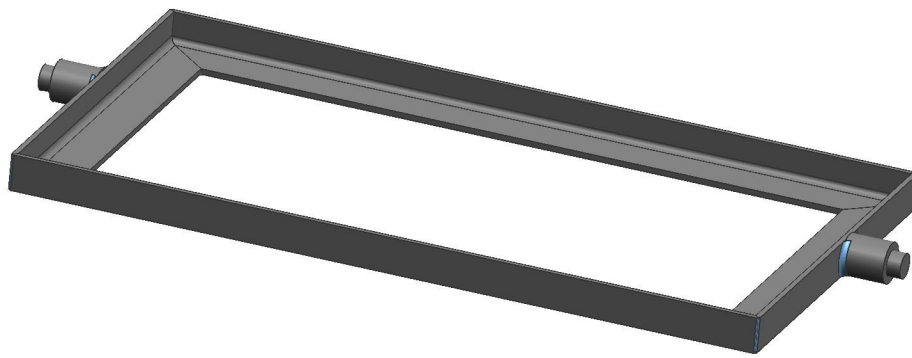


2.

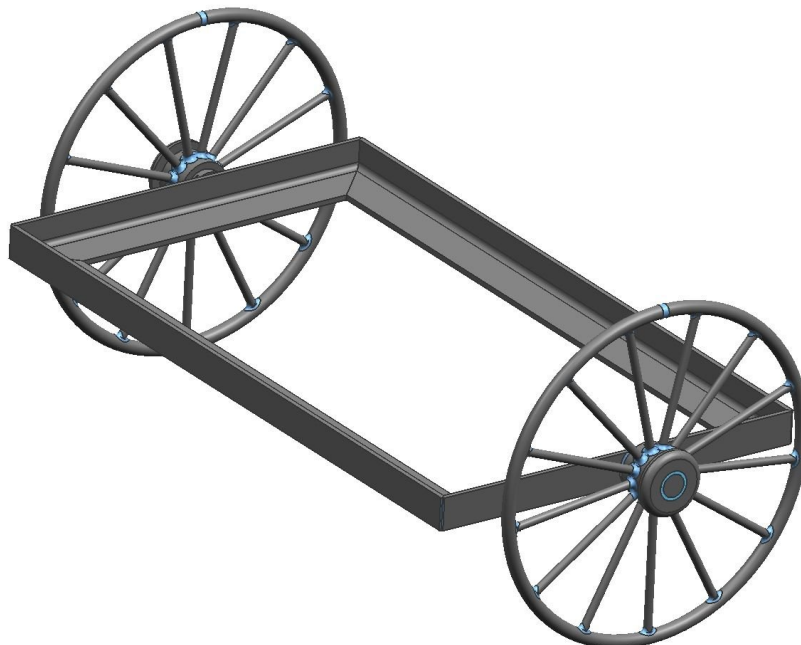
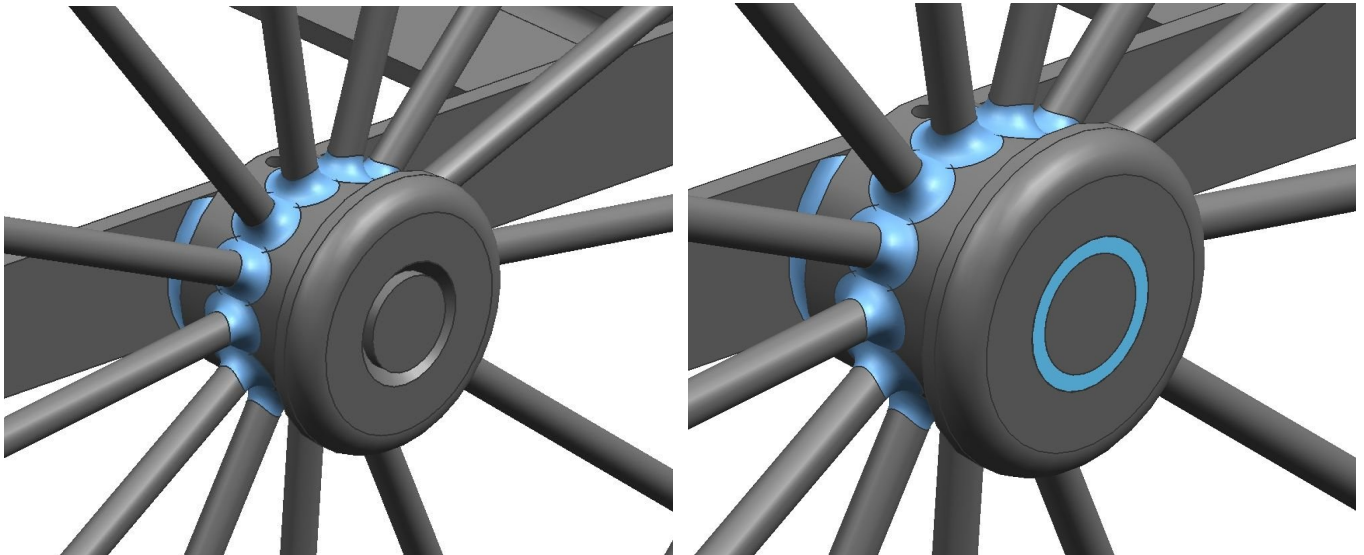


3.

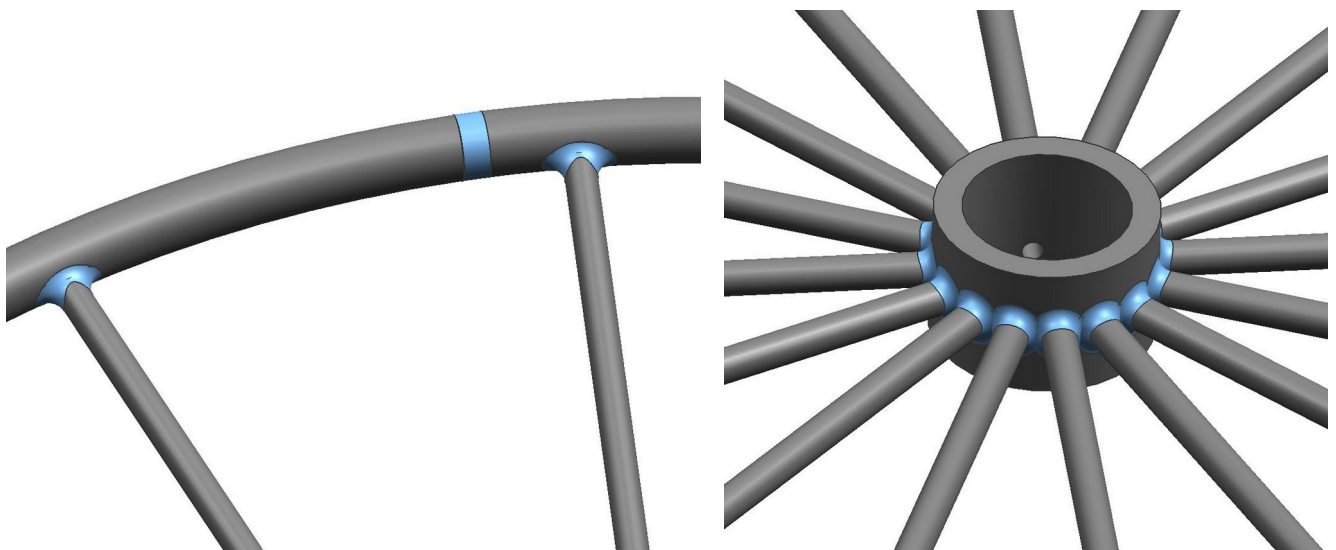
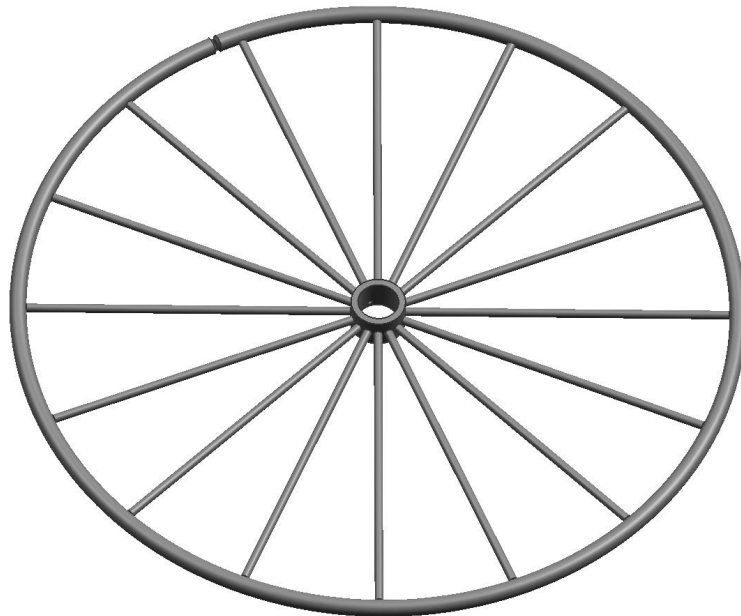
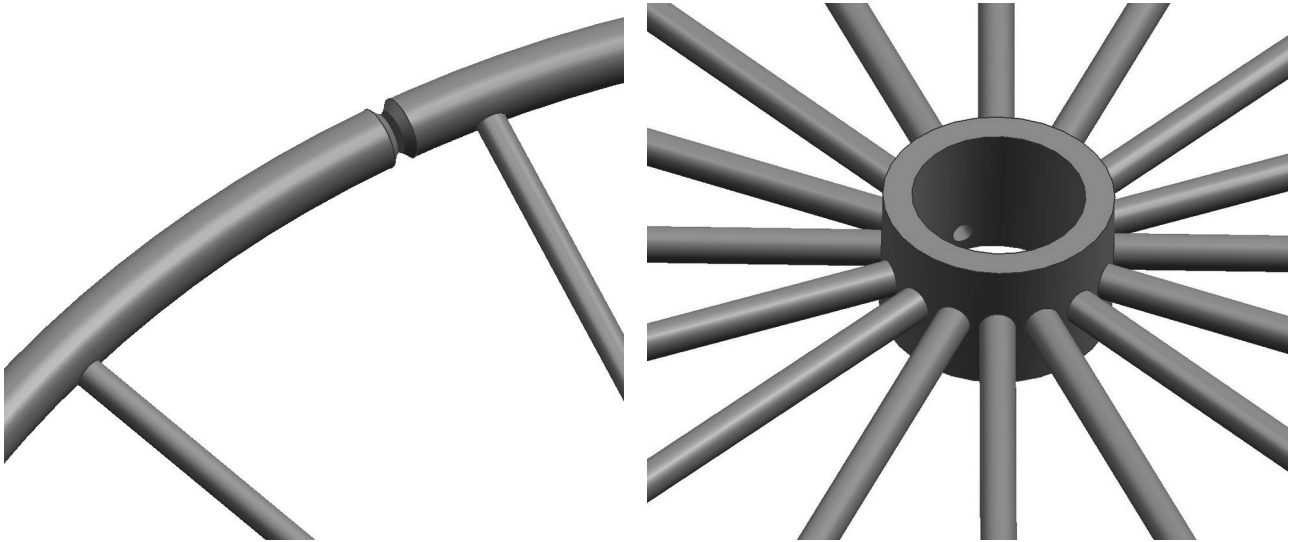




4.

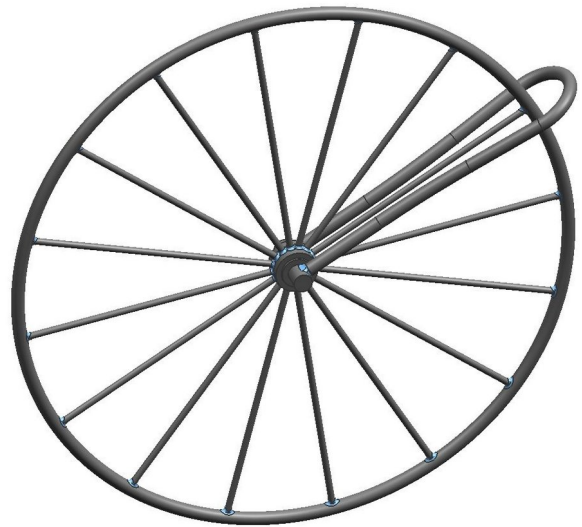
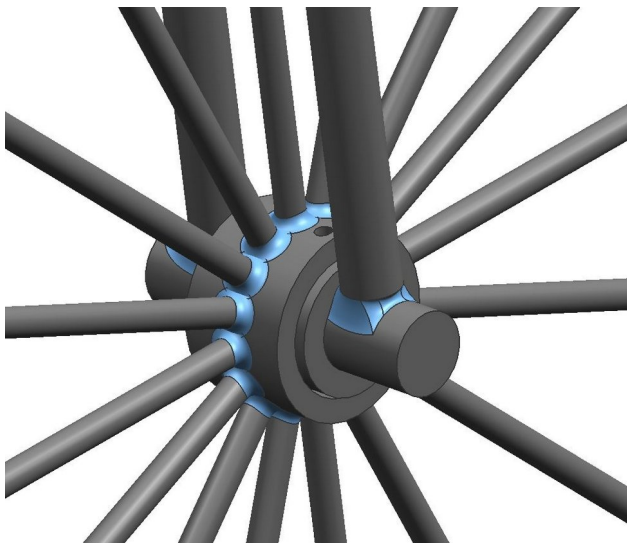


5.

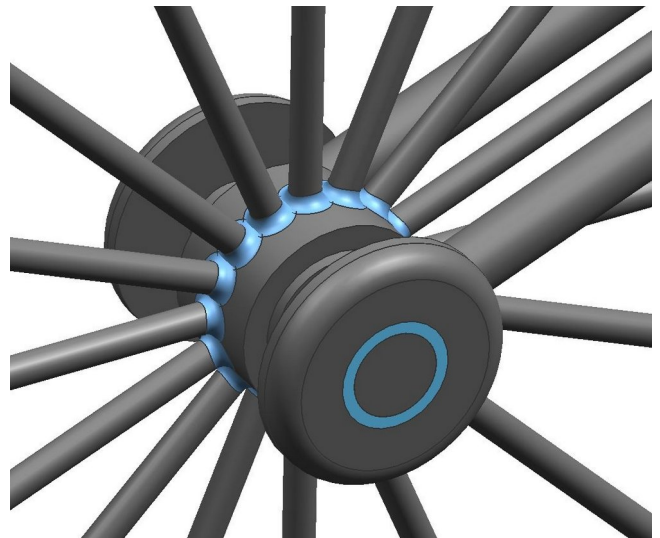
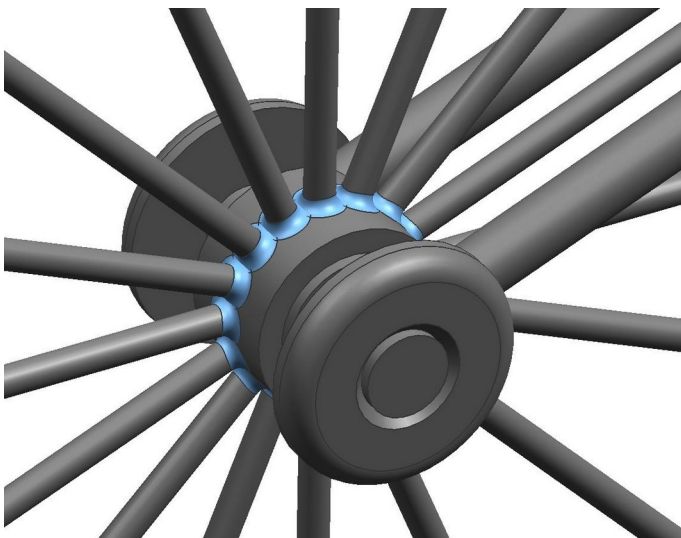


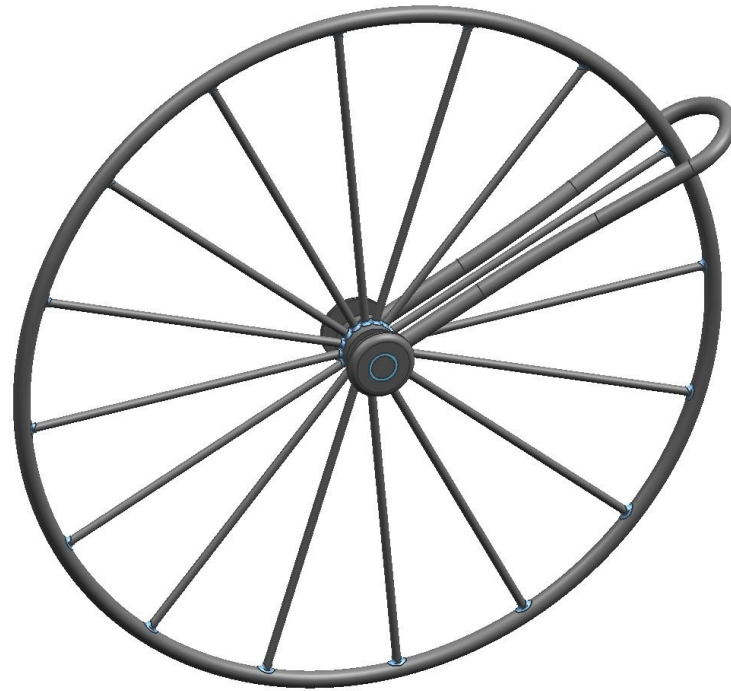


6.

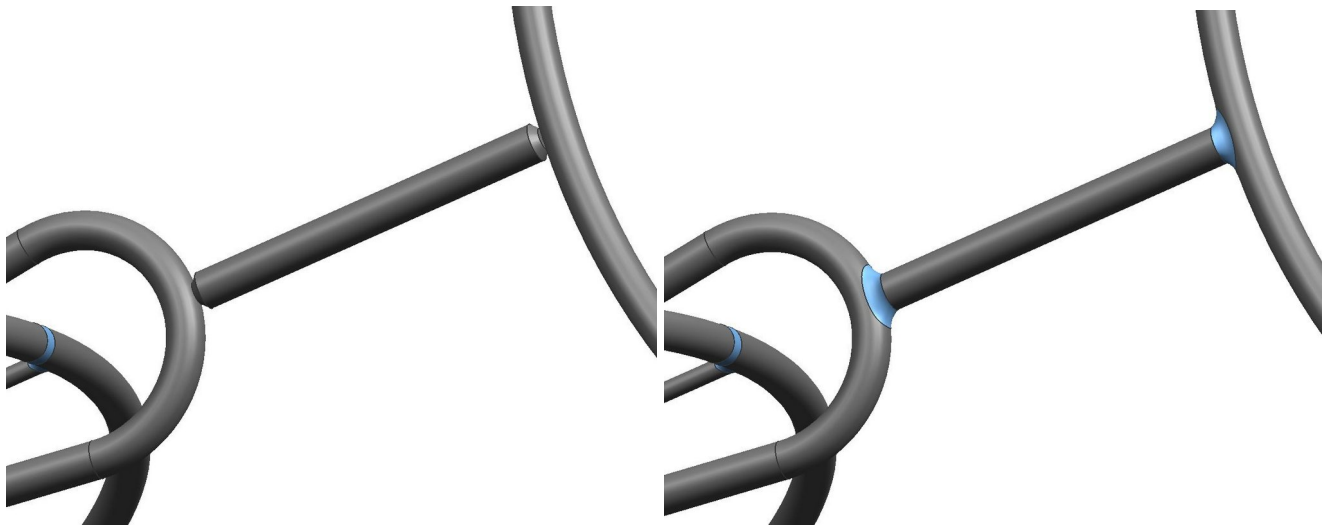


7.

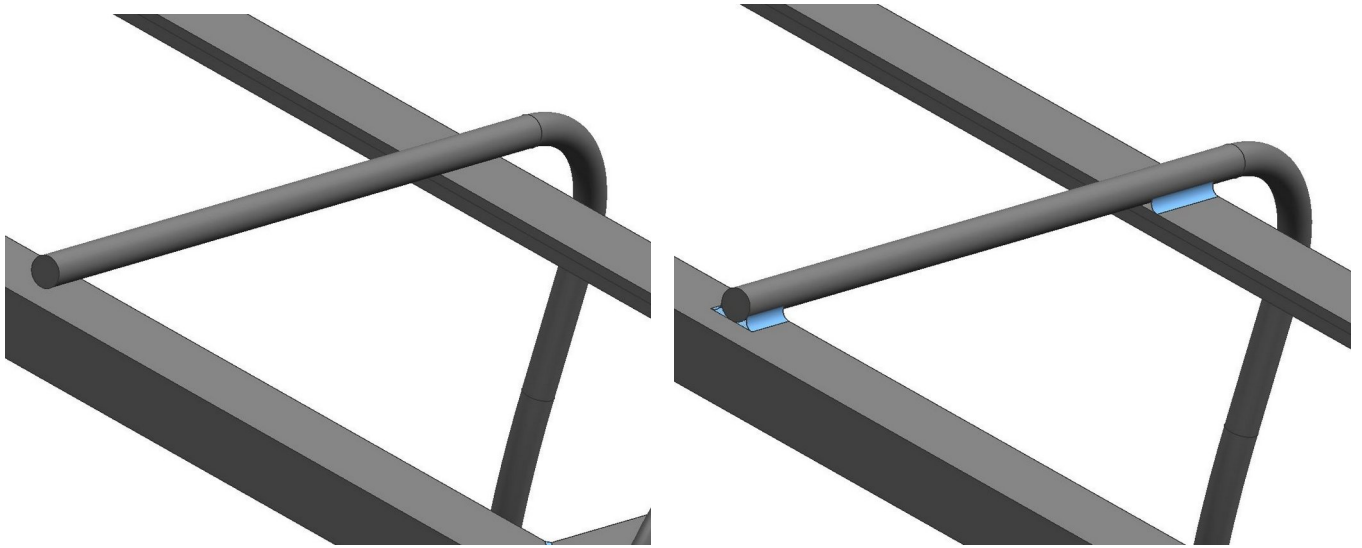




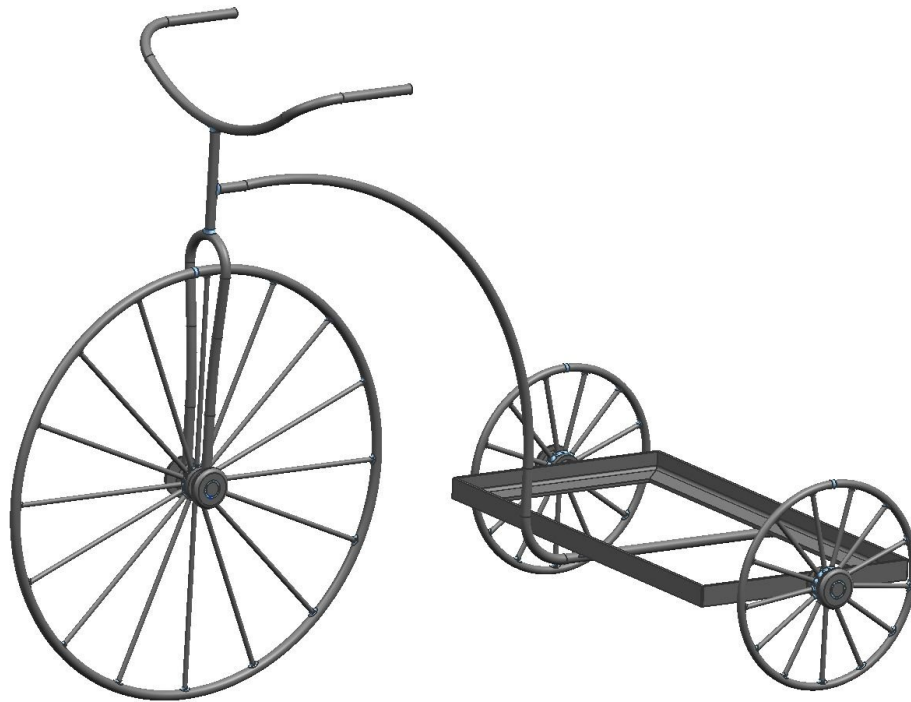
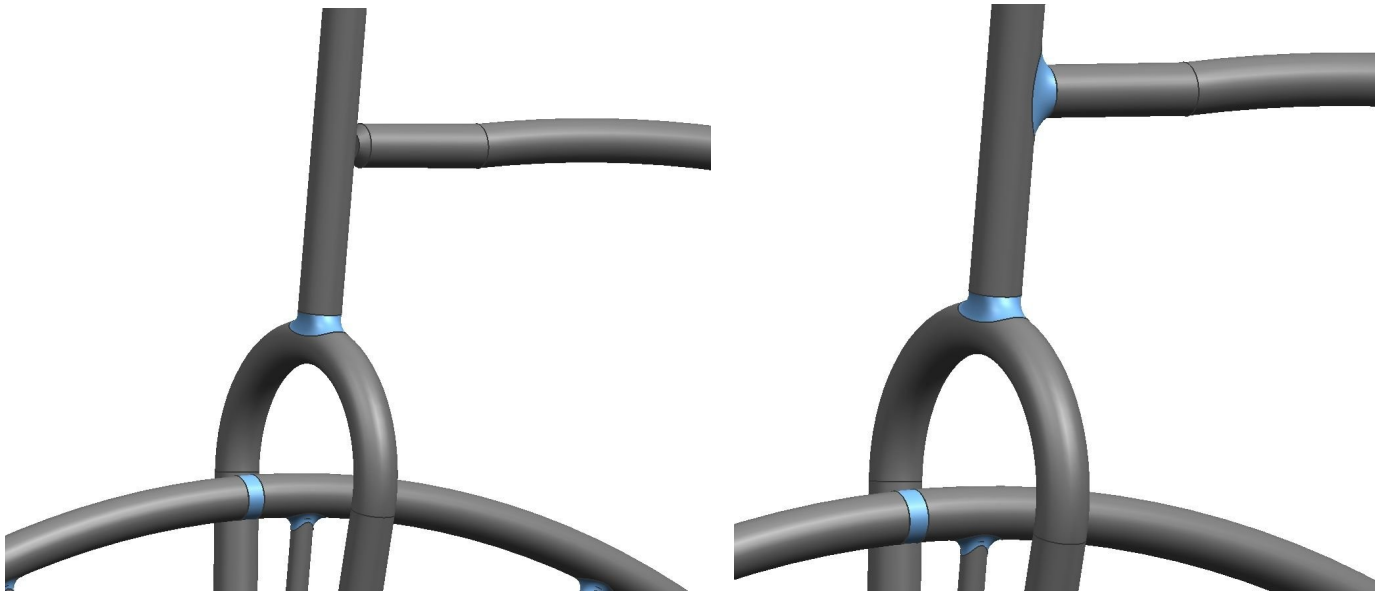
8.



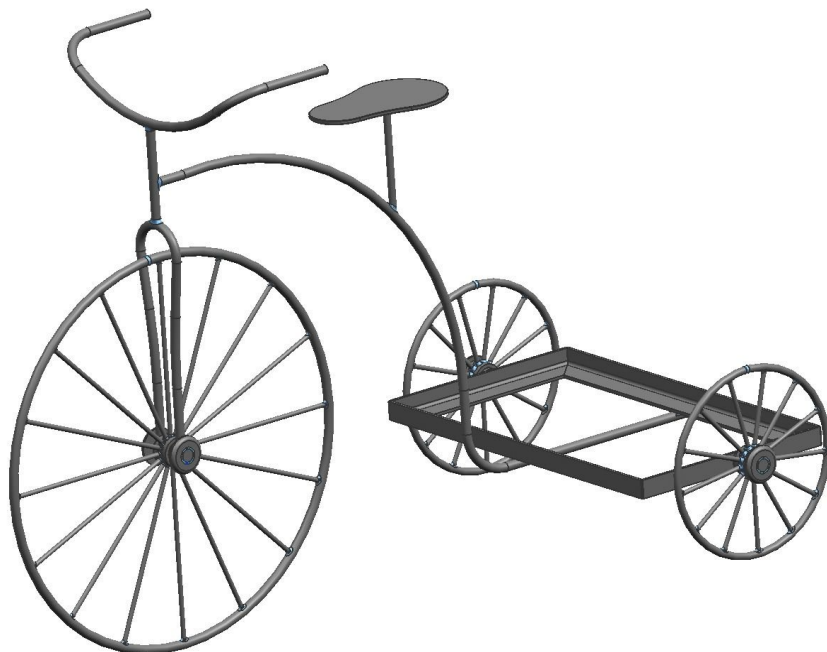
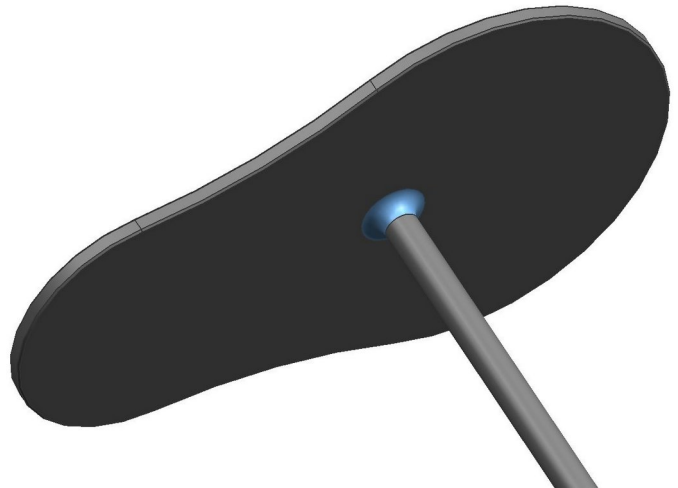
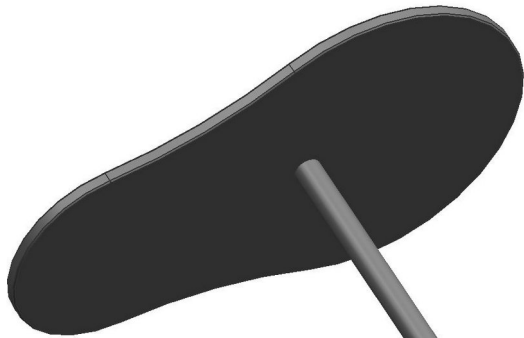
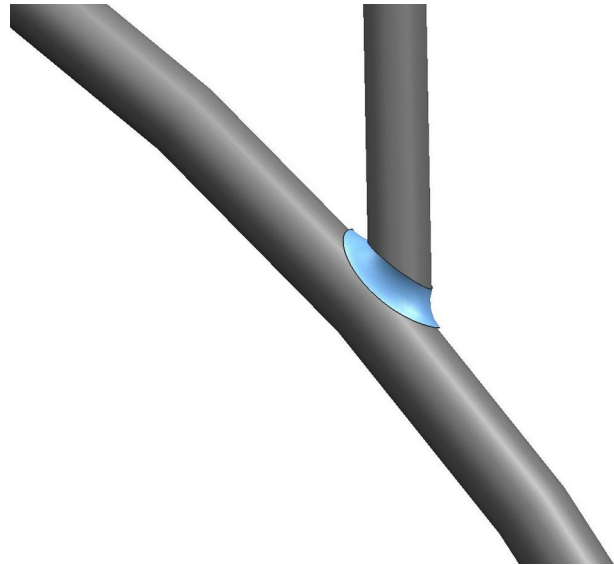
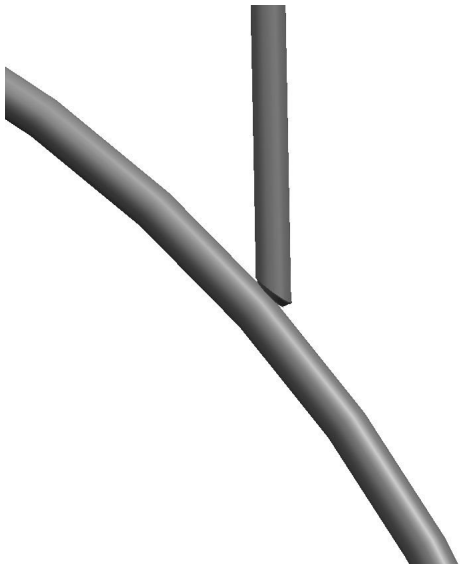
9.



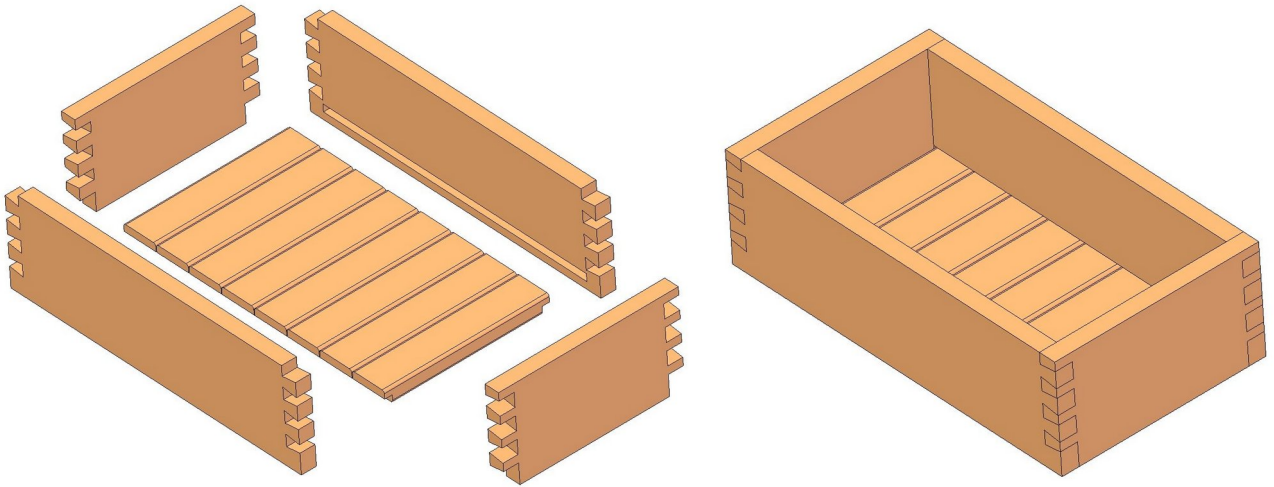
10.



11.



12.



13.

