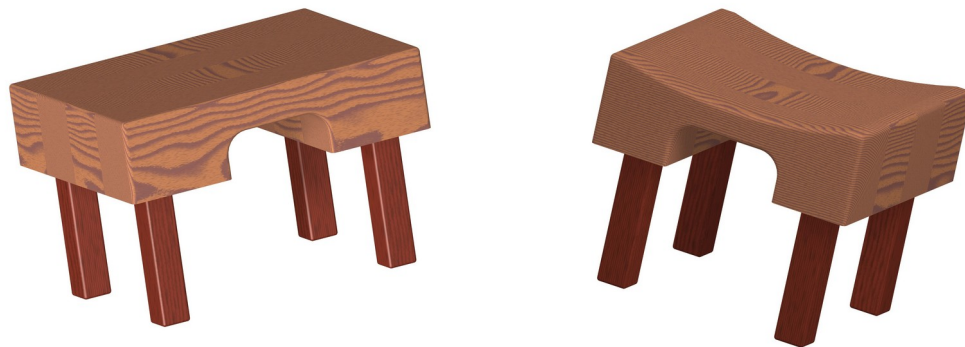
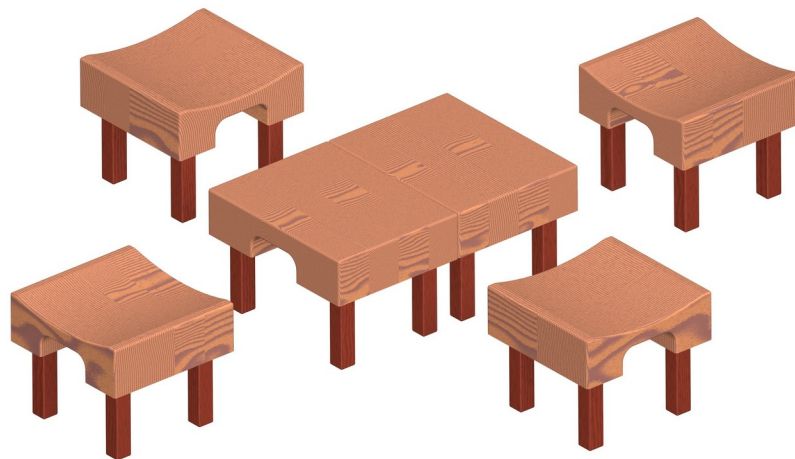


Garden wooden seating set plan

Here is a plan for making simple Garden wooden seating set that can be made in a couple of afternoons.

The seating set consists of 2 small tables and 4 chairs. The tables are of the same height as the chairs and sufficiently strong to sit on (in case you need a larger seating capacity). It is simply a small seating set that you can place in a corner of your yard/garden and spend some relaxing moments with friends or family there, chatting over coffee or drinks. Obviously, it is not suitable for serving food.



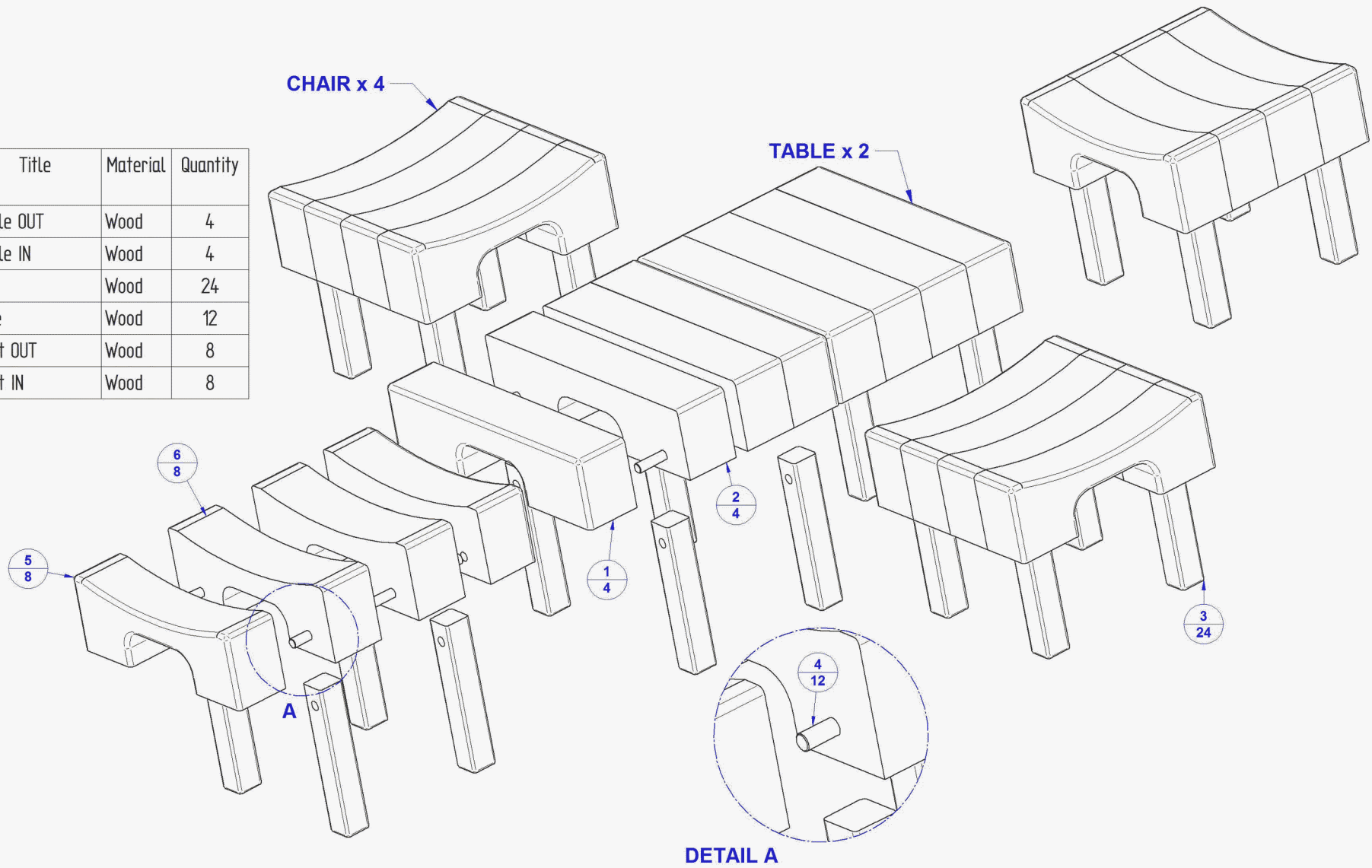
In the drawings you can see the layout and dimensions of all parts, the drawing and exploded view of the assembly, and the parts list. All parts are interconnected by gluing, and the axle part is optional – even if you choose not to use it, the adhesive will provide sufficient strength to all existing joints in the tables and chairs. If it is easier for you, make the legs with a circular cross-section.

Perhaps the design of this seating set is not top-notch, but its simplicity, durability and sturdiness will be more than enough to justify its making. No doubt it will be of practical use, even as a small ladder, because both the table and chair can very easily withstand the weight of the person standing on it.

You can use both softwood and hardwood to make it, and the most important thing is to protect your entire seating set from the impact of weather conditions. If you think the design is too simple, there are many surfaces that can be decorated in carving technique. This will surely make your seating set look nicer and give your yard or garden a good makeover.

Parts List

Item Number	Title	Material	Quantity
1	Table OUT	Wood	4
2	Table IN	Wood	4
3	Leg	Wood	24
4	Axle	Wood	12
5	Seat OUT	Wood	8
6	Seat IN	Wood	8



Chair subassembly drawing

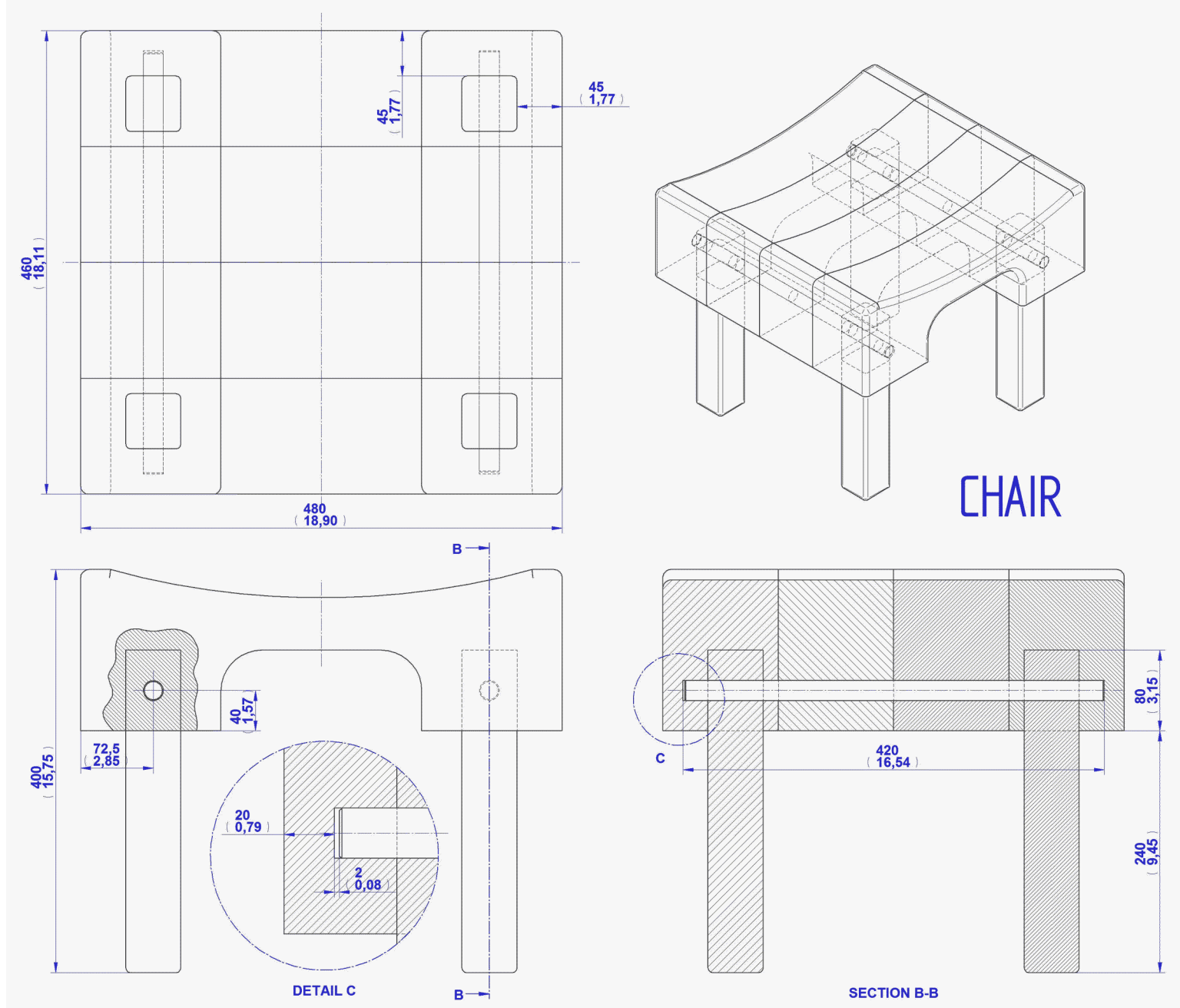
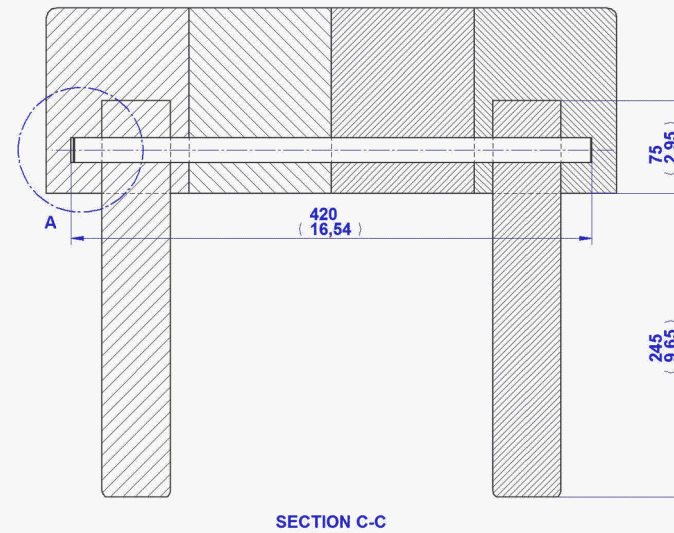
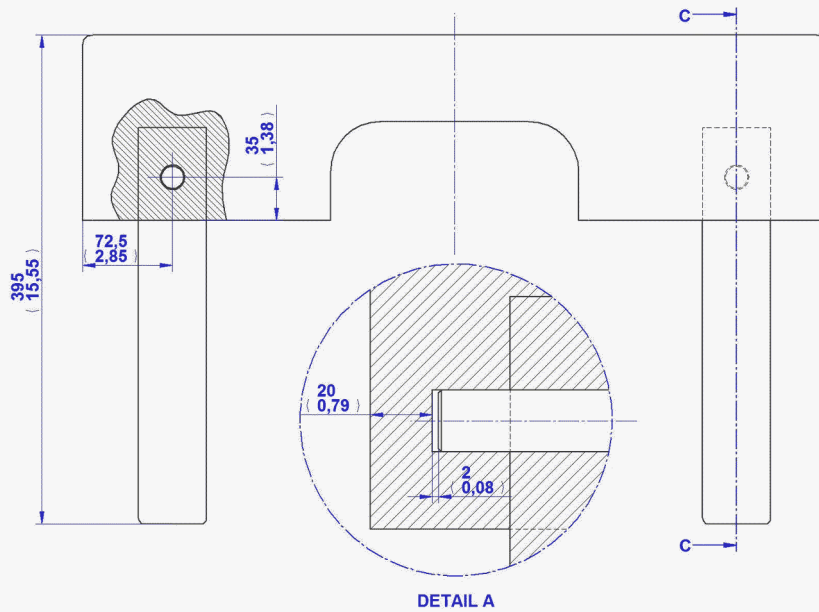
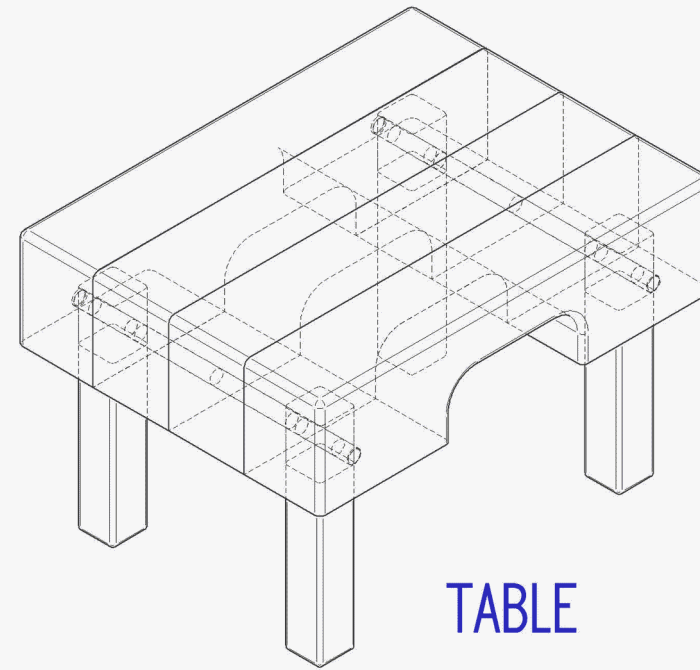
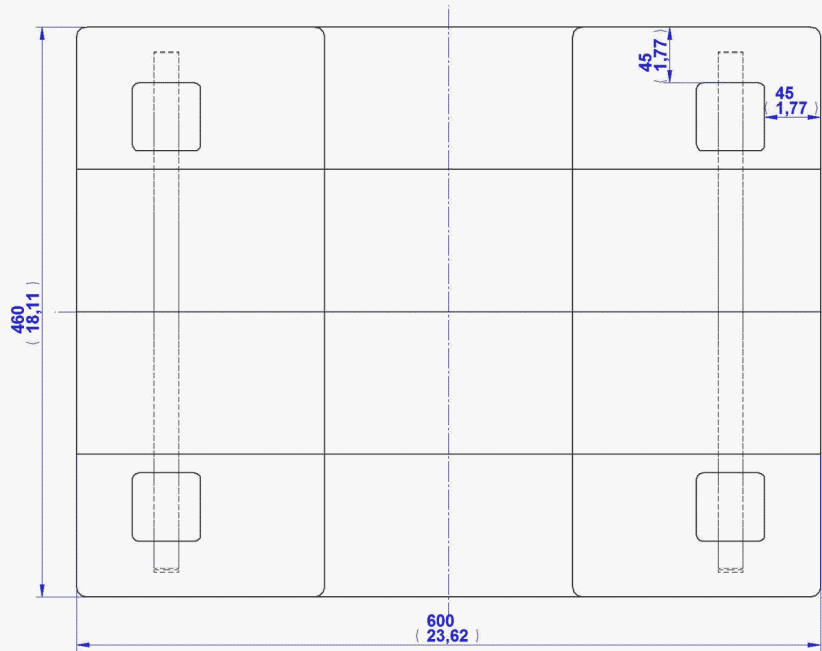
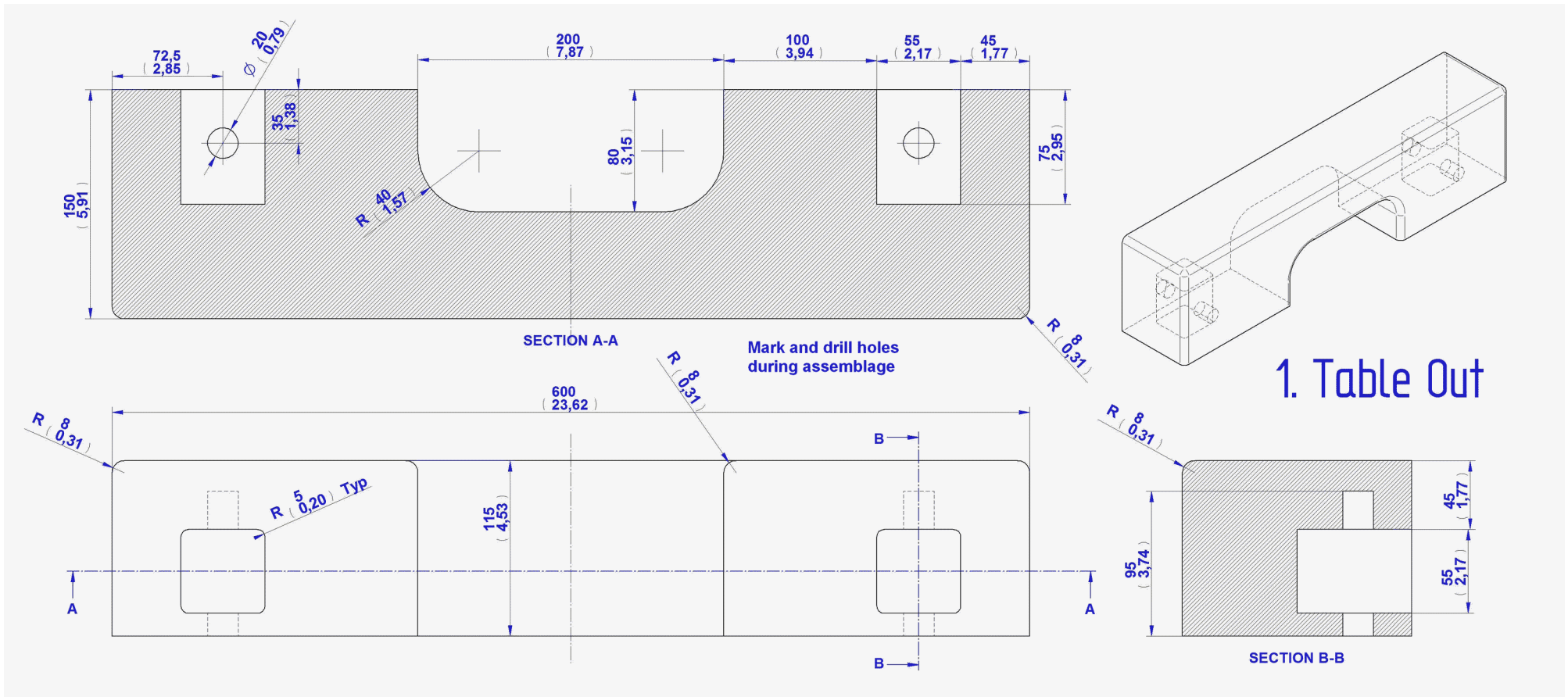
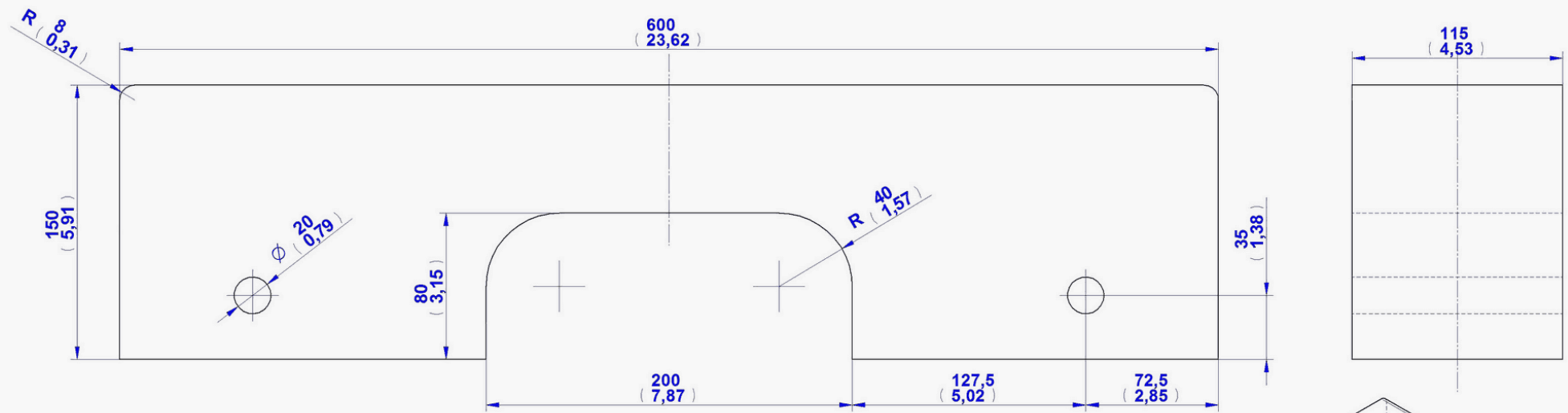


Table subassembly drawing

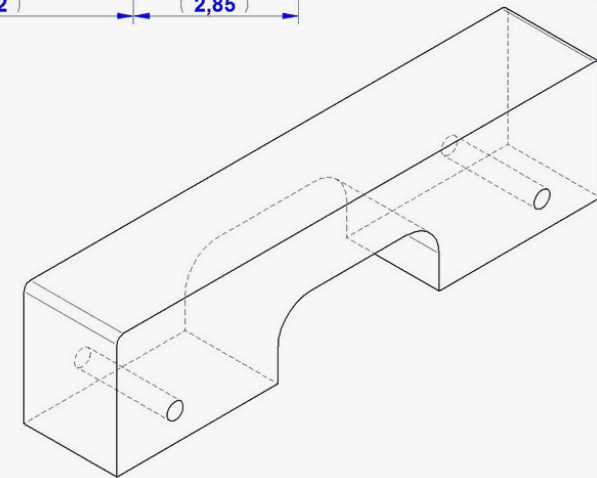


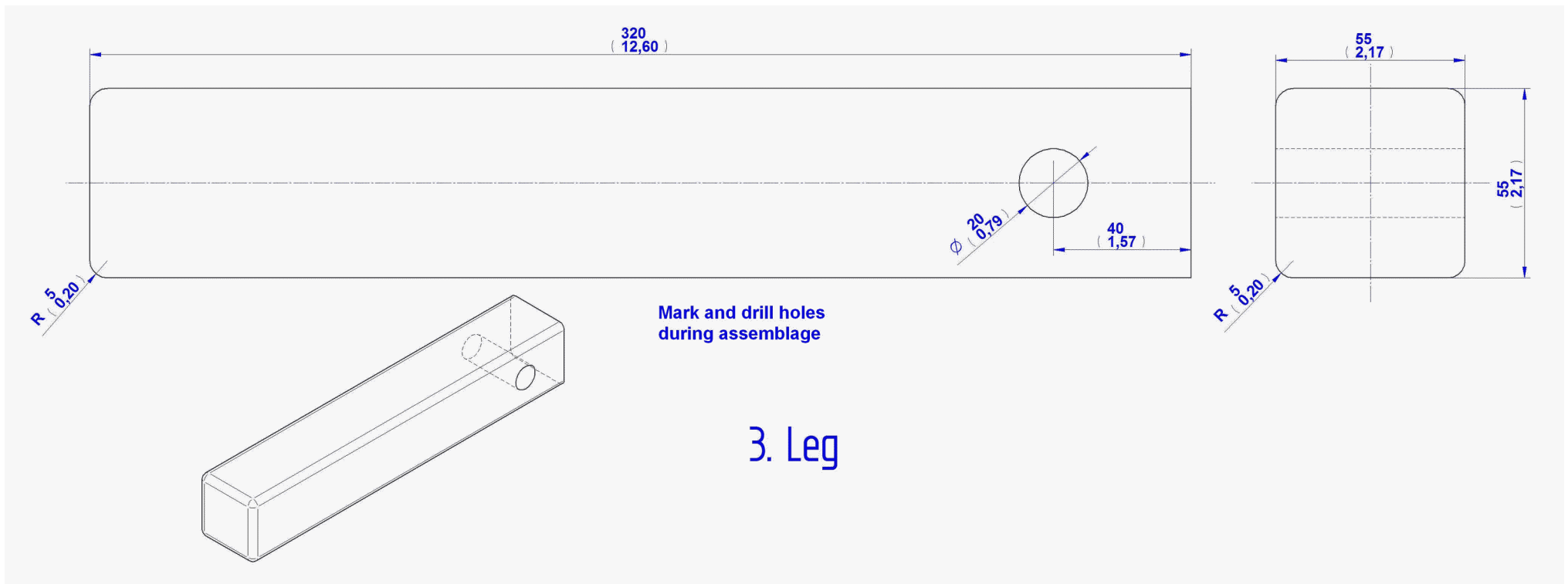


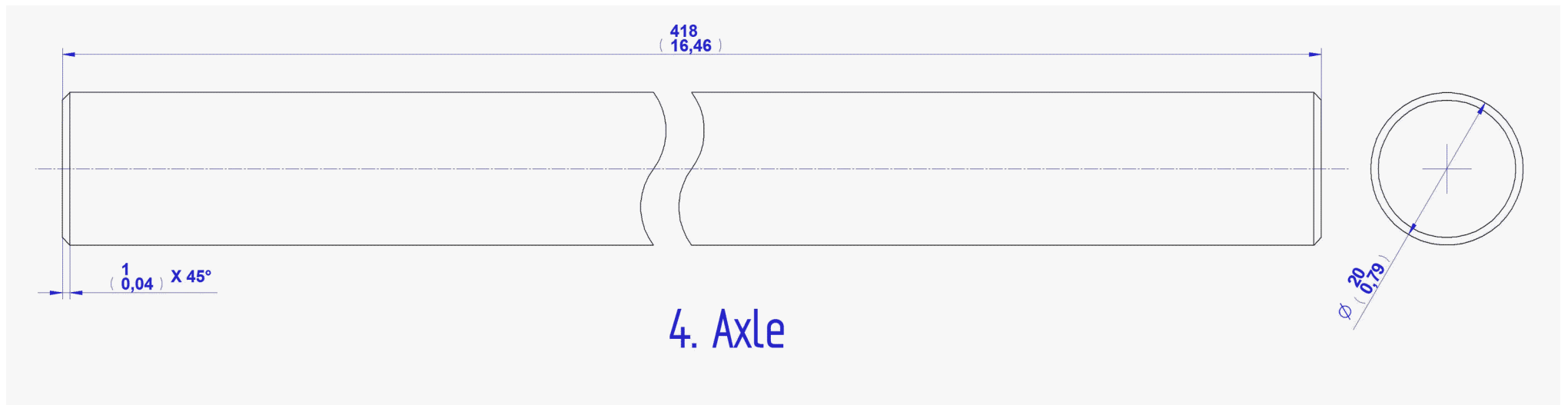


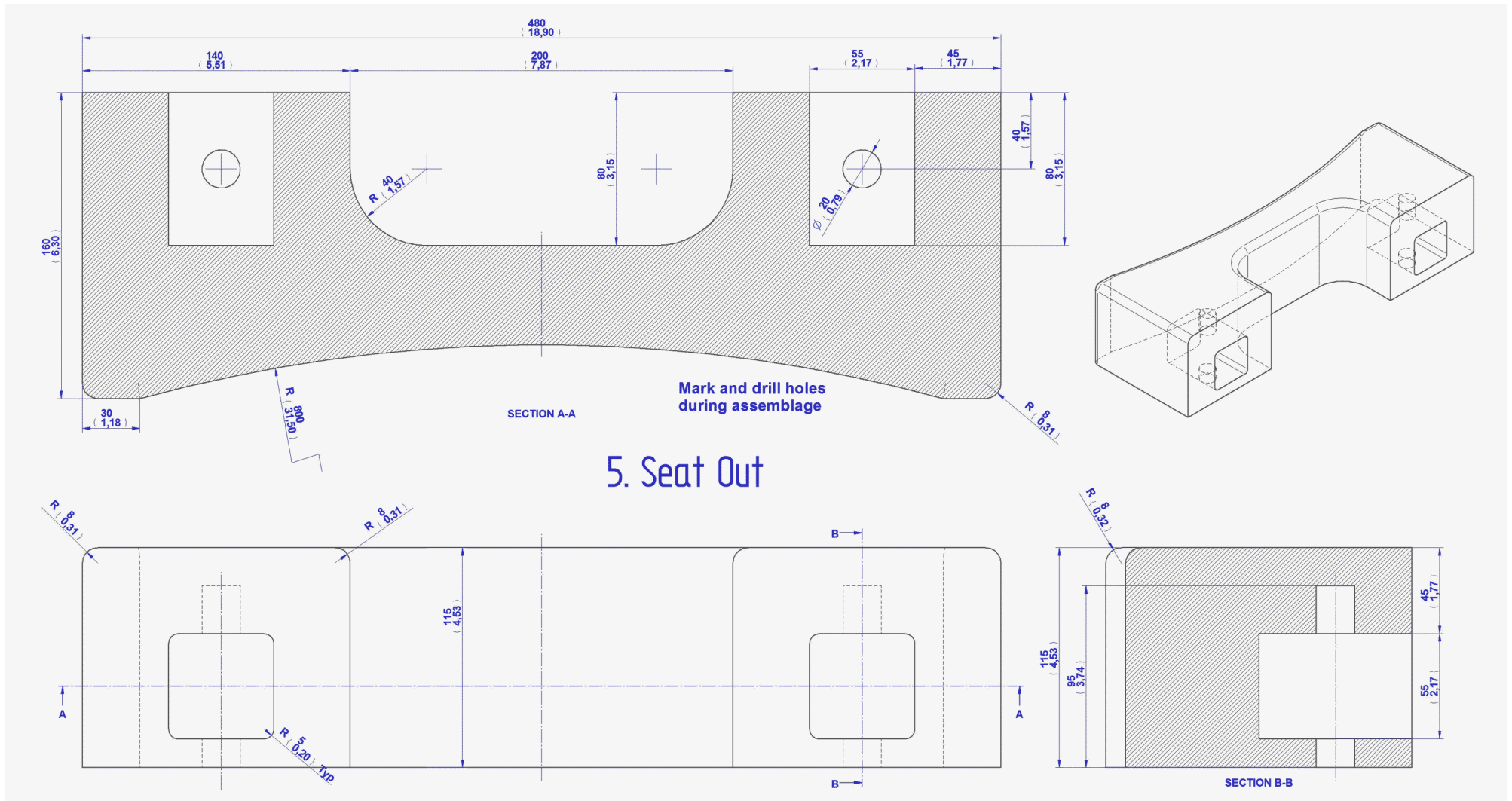
2. Table in

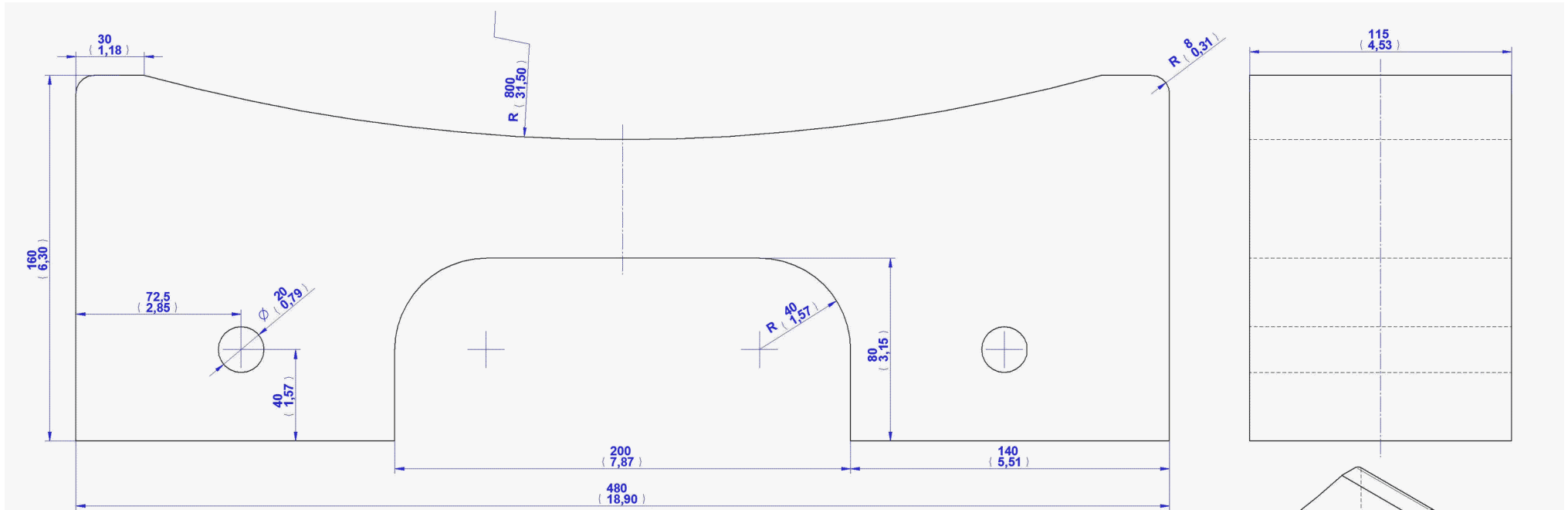
Mark and drill holes during assemblage









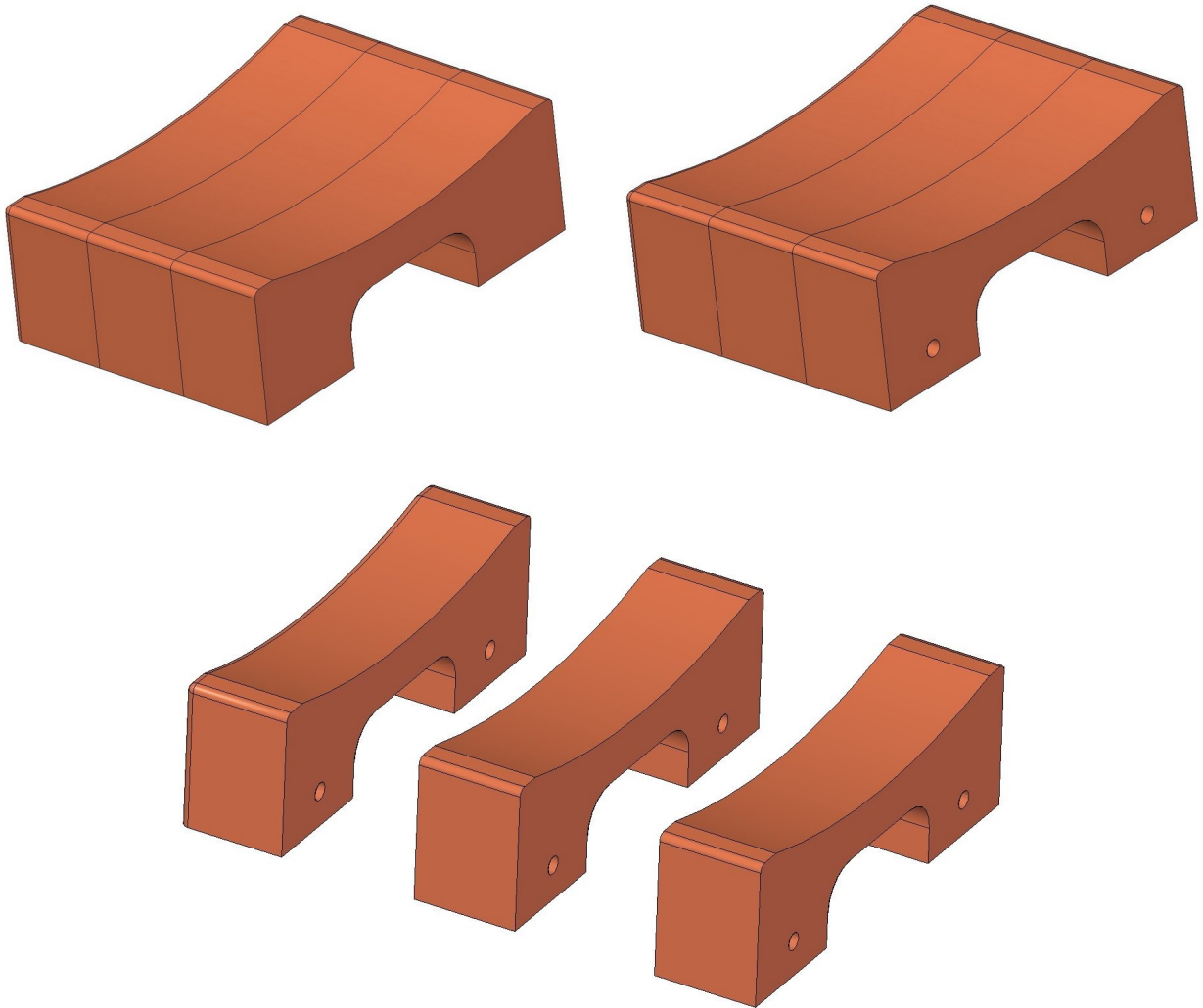


6. Seat In

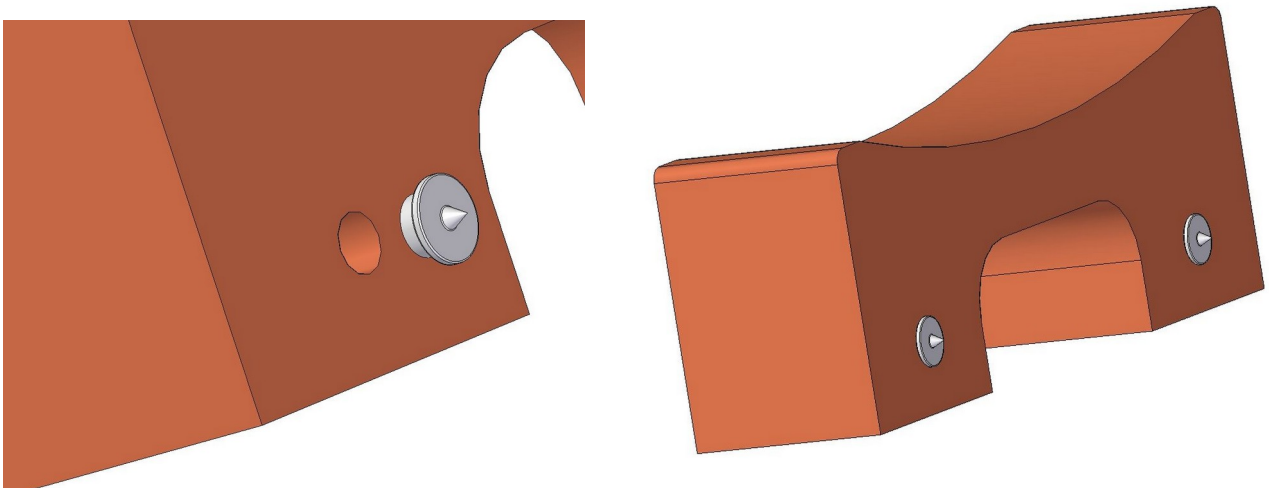
Mark and drill holes during assemblage

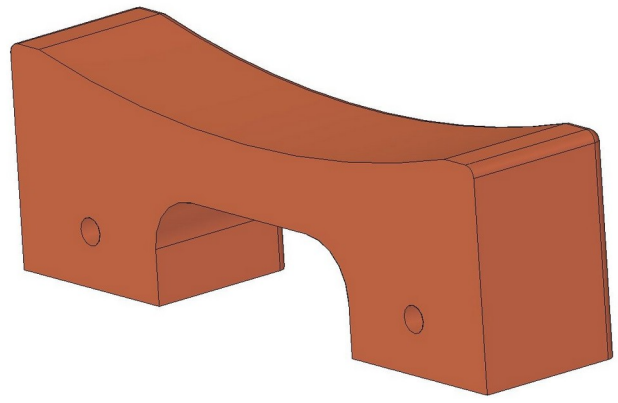
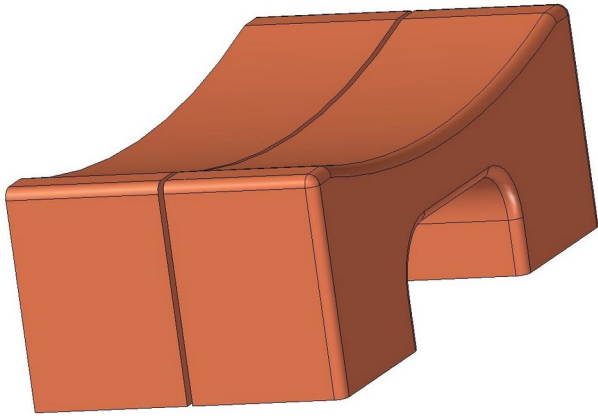
Assemblage images

1.

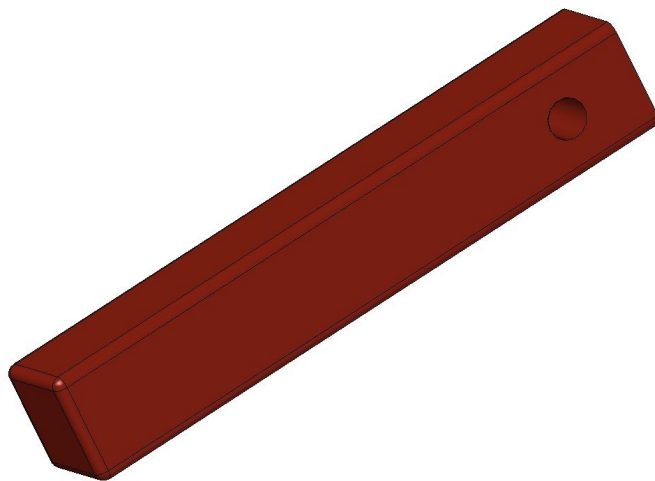
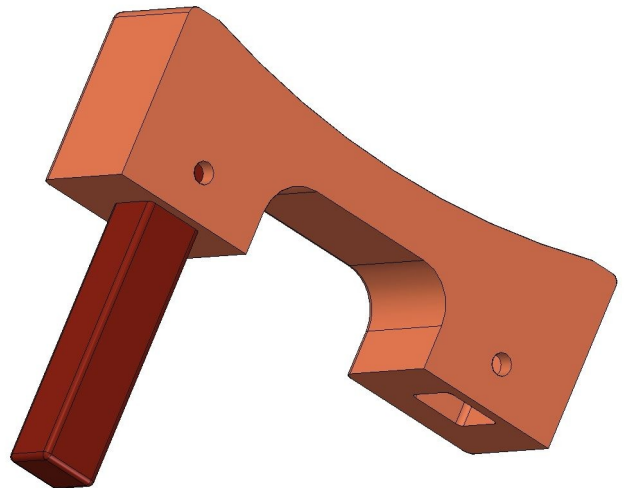
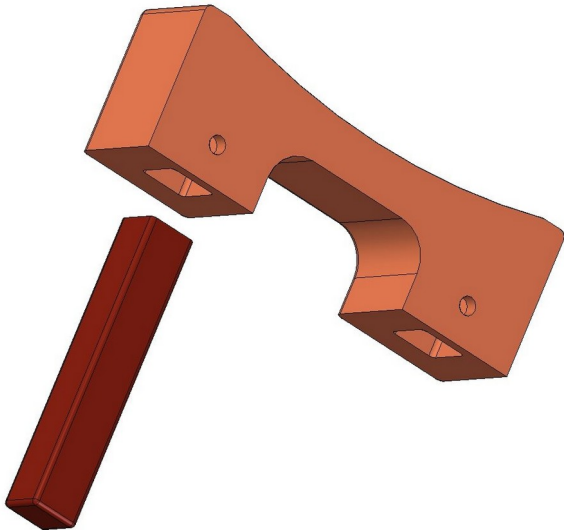


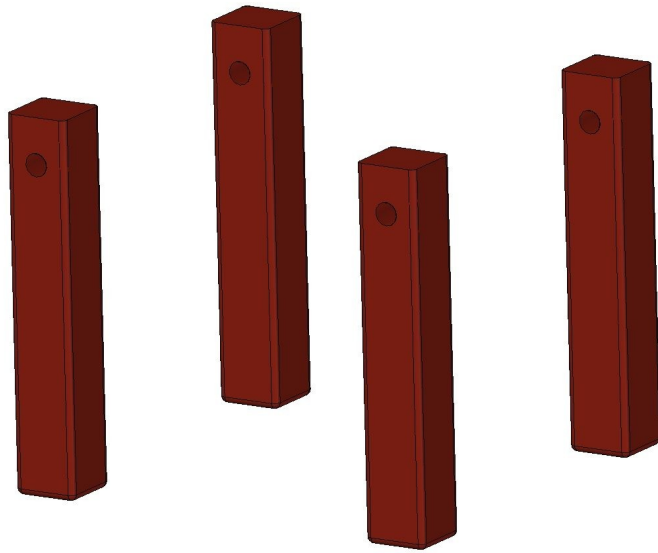
2.



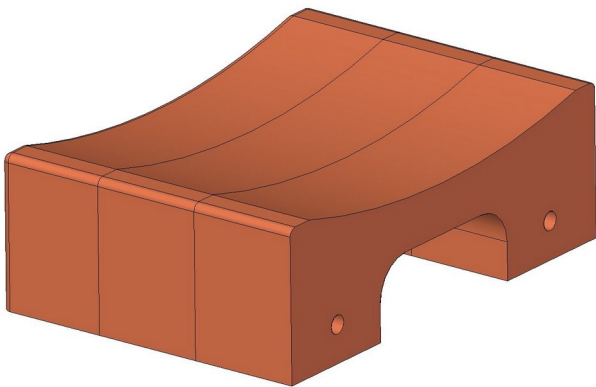
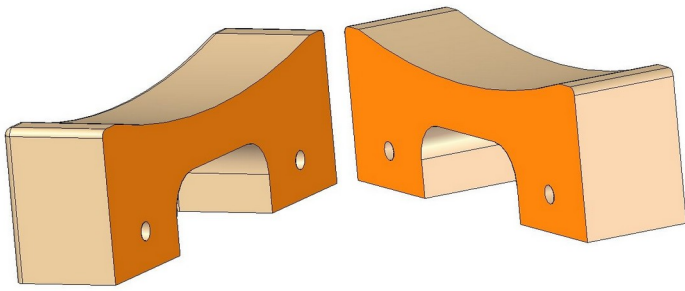


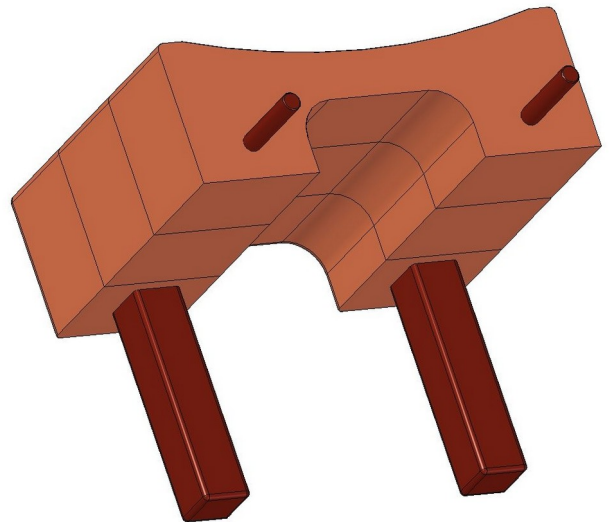
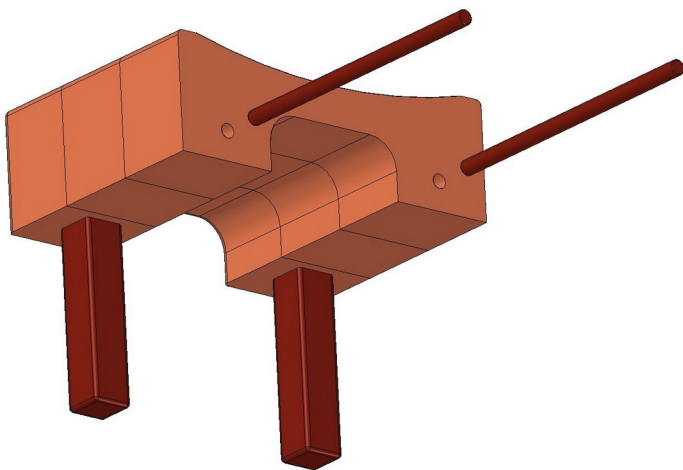
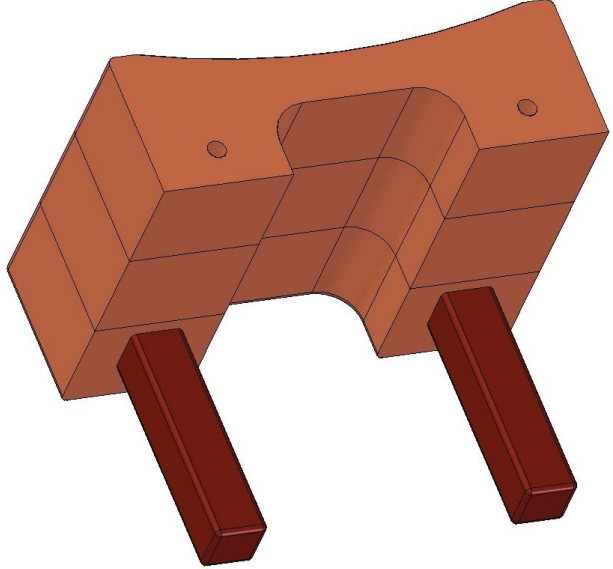
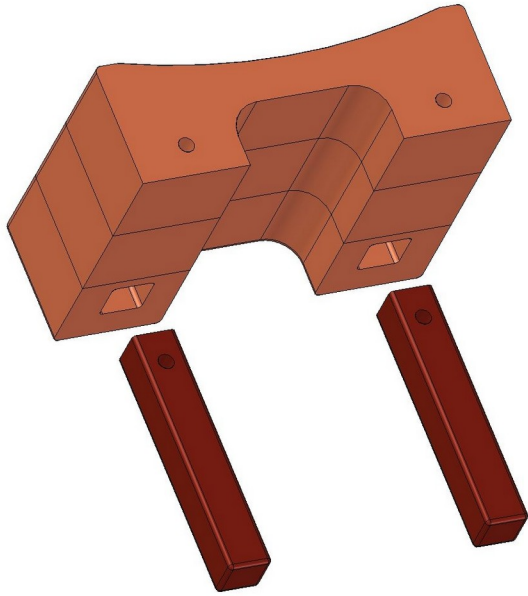
3.



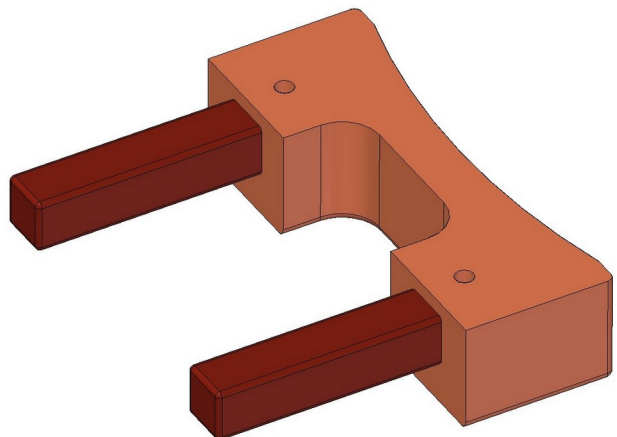
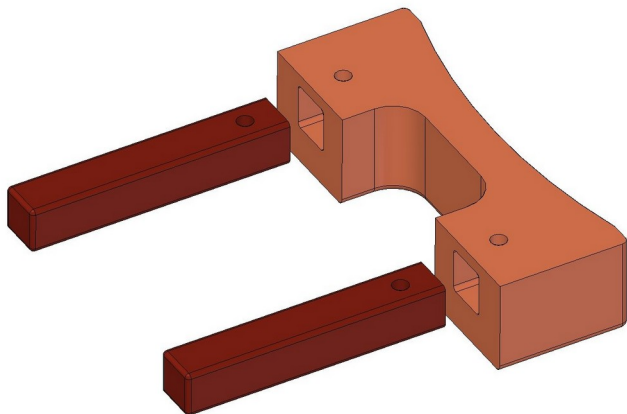


4.





5.



6.

