

Impossible dovetail joint puzzle plans

In front of you is the dovetail joint puzzle plan. This is very simple puzzle, suitable for the exercise of the beginners, but at the same time this is very interesting puzzle, so we are sure, that even an experienced woodworker will not resist making it. The dovetail joint puzzle is a type of the puzzle that people notice right away, and we are sure that you will have plenty of fun with your friends and family, watching them while they think about how it was made.

When accurately made, this impossible object puzzle presents the outward appearance of being two through dovetail joints crossing each other on the inside. Anyone who see this object, probably will come to conclusion that this thing is impossible to make, and will ask himself what is the trick. This puzzle is called the impossible dovetail joint puzzle, and it belongs to the impossible object puzzles. The impossible object puzzles at a first glance look like objects that are impossible to manufacture – and the task is to discover how they were made.

As you see on the pictures, solution of the dovetail joint puzzle is very simple because it is a simple two tail dovetail joint, extending cornerways through the faces, instead of square with the faces.

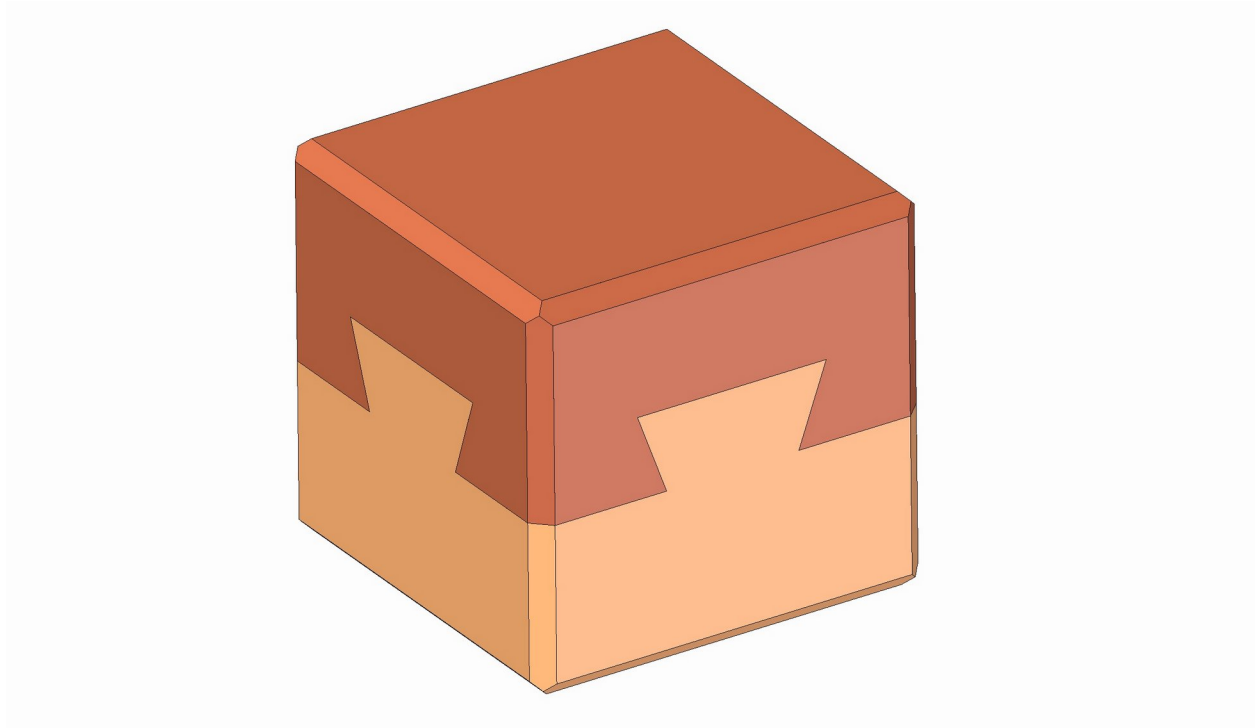
We recommend you to make this puzzle out of the contrast colored woods, because this way will highlight the joints and thus draw the attention. It should be glued and varnished so that the solution cannot be detected by inspection.

To make such an interesting puzzle, it is enough to own a hand saw, coping saw and chisel - the dovetail joints of this puzzle are made on the same way as the real dovetail joints.

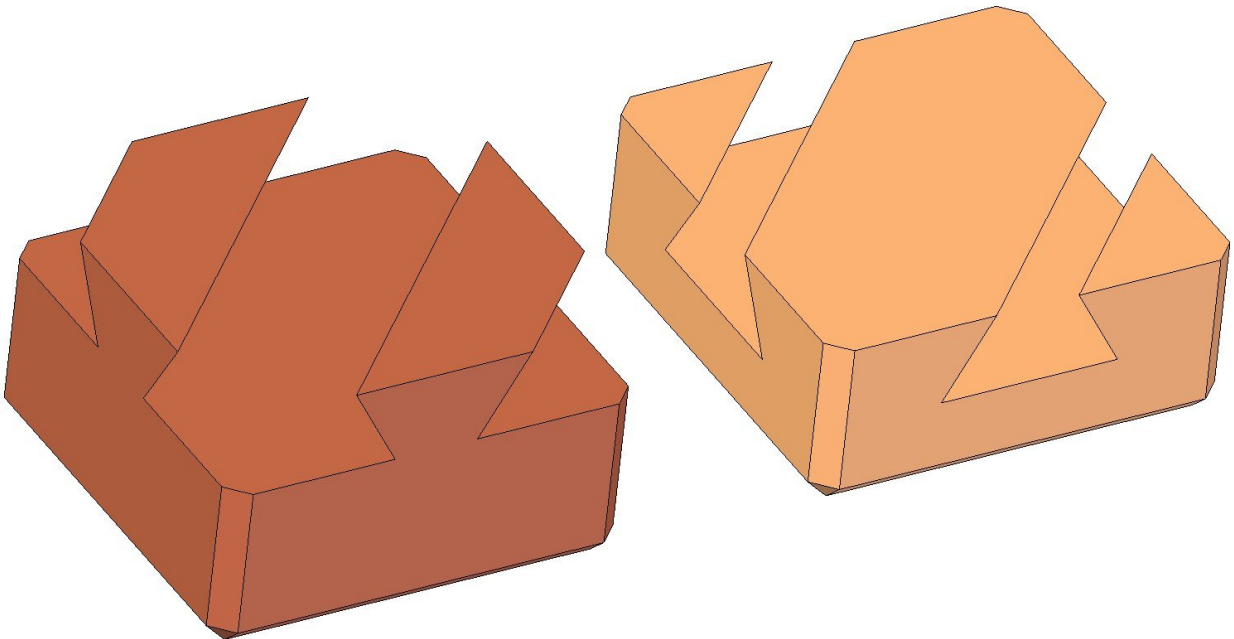
1. Lay out the dovetails and sockets. Mark the waste.
2. Saw the dovetail cheeks (part A) and the socket cheeks (part B)
3. Remove the waste with a coping saw to establish the joint shoulders
4. Pare to the lines. Use a narrow chisel to pare the shoulders and a wide chisel to pare the cheeks.

There are a large number of versions of this impossible object puzzle, and they all have the same principle. The only difference is in the shape of the parts and in the number of tails.

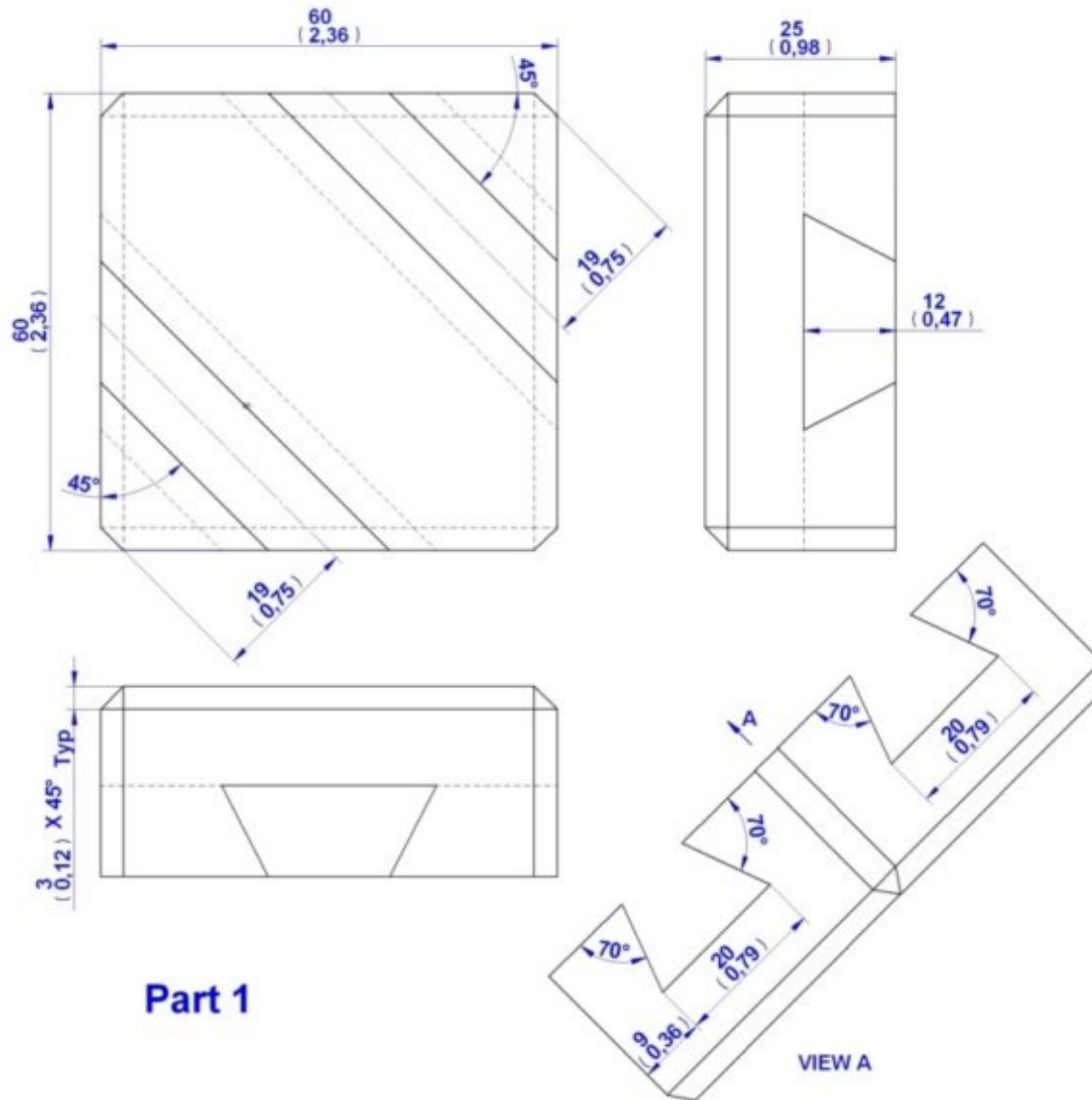
IMPOSSIBLE DOVETAIL JOINT PUZZLE PLAN



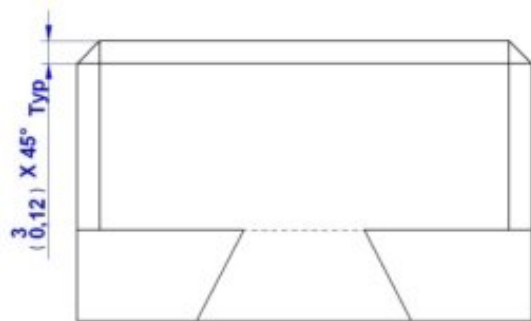
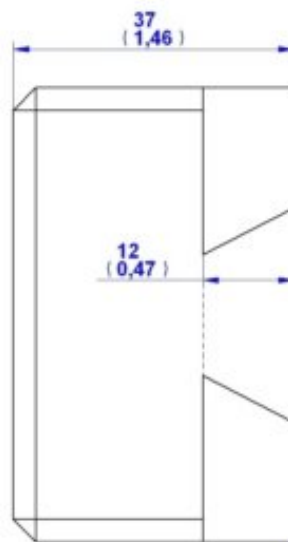
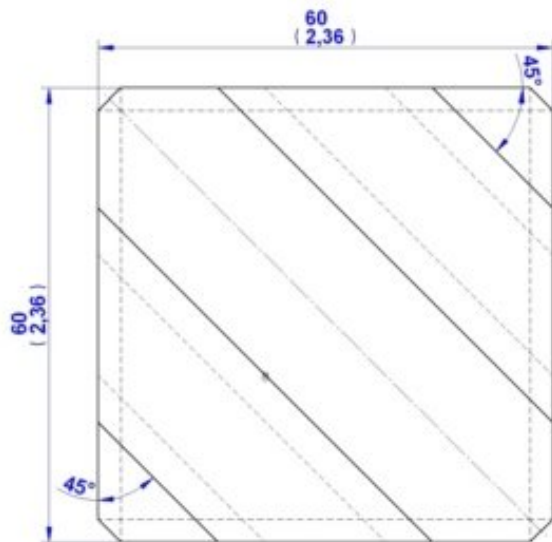
Impossible dovetail joint puzzle plan - Solution



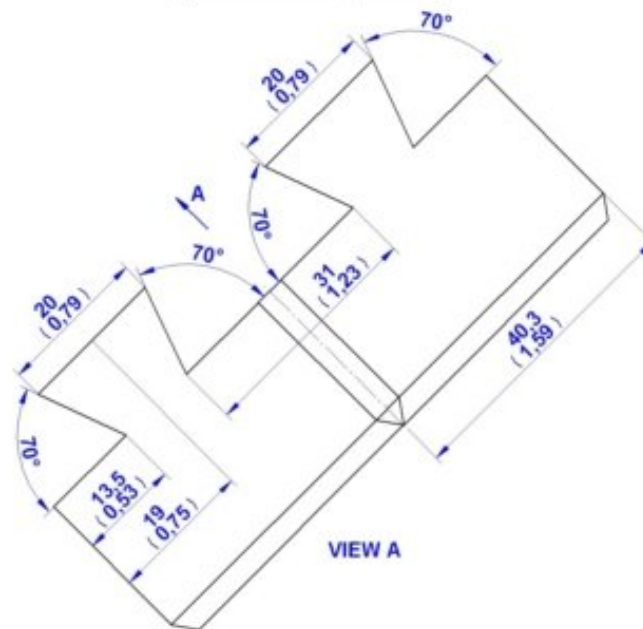
Impossible dovetail joint puzzle plan - Part 1



Impossible dovetail joint puzzle plan - Part 2

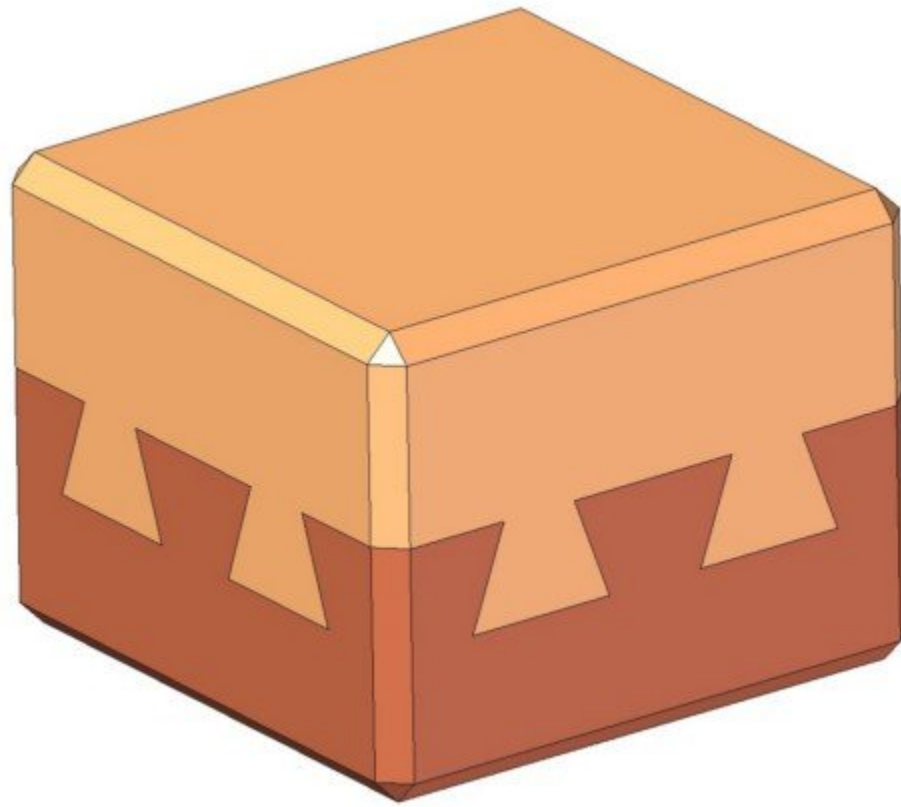


Part 2

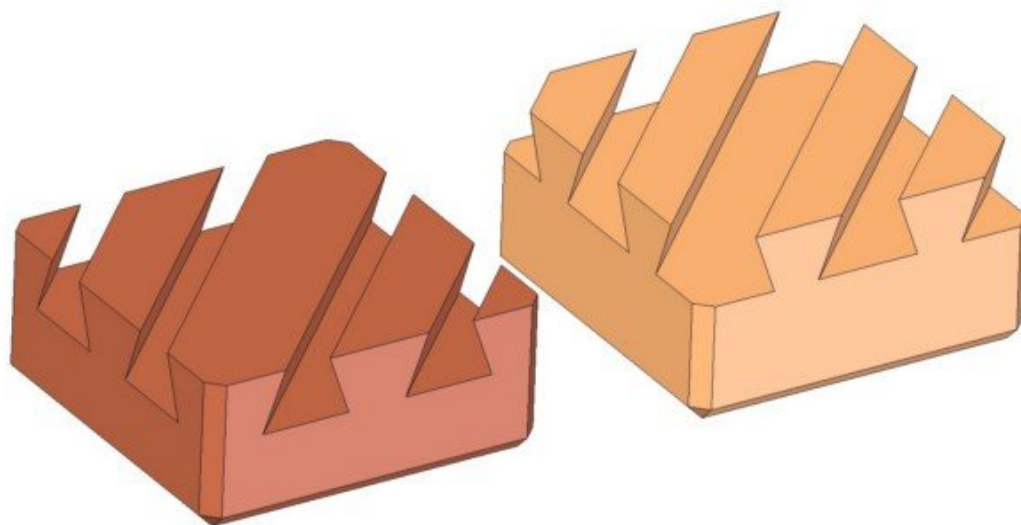


VIEW A

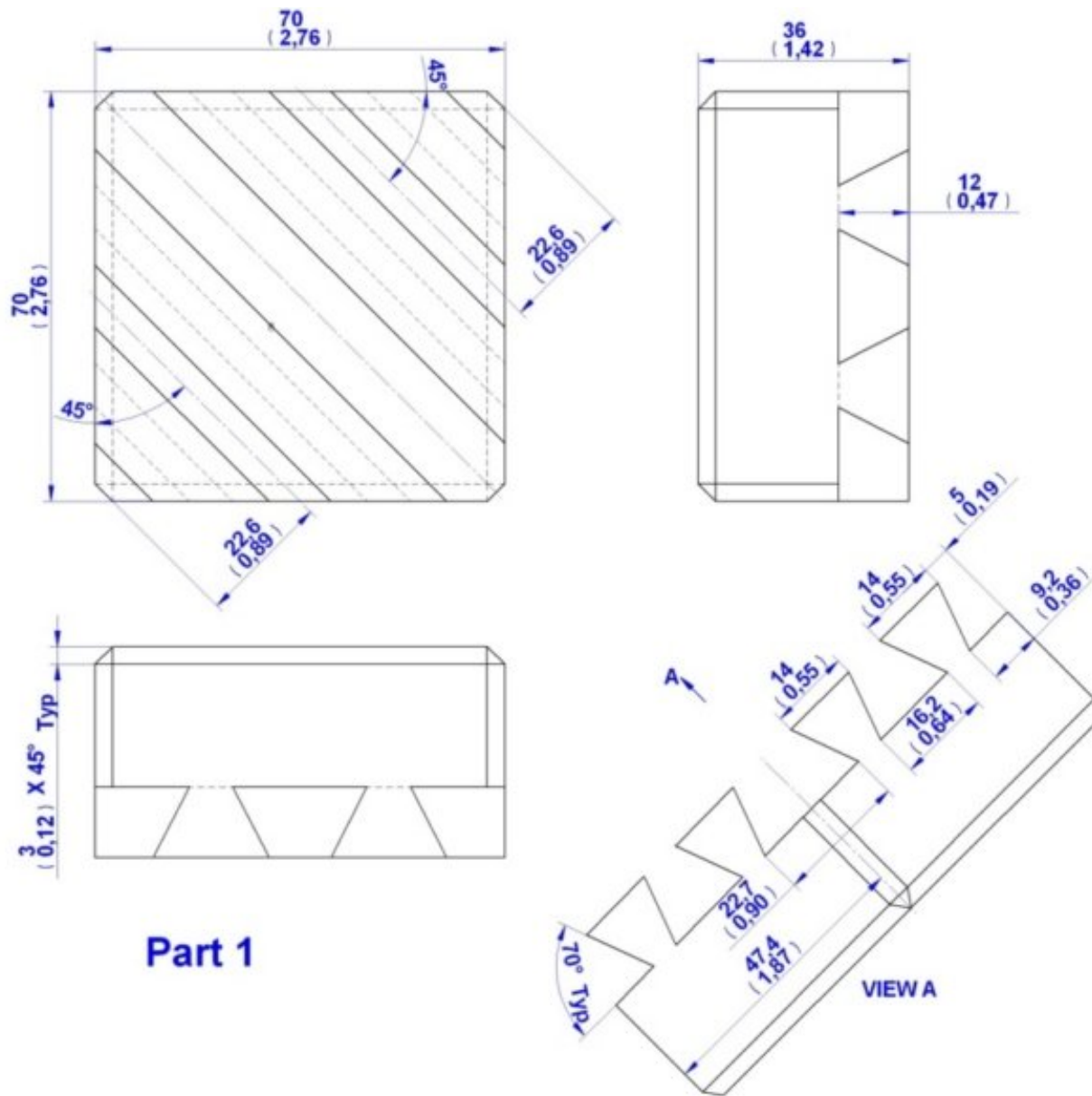
DOUBLE DOVETAIL JOINT PUZZLE PLAN



Double dovetail joint puzzle plan – Solution

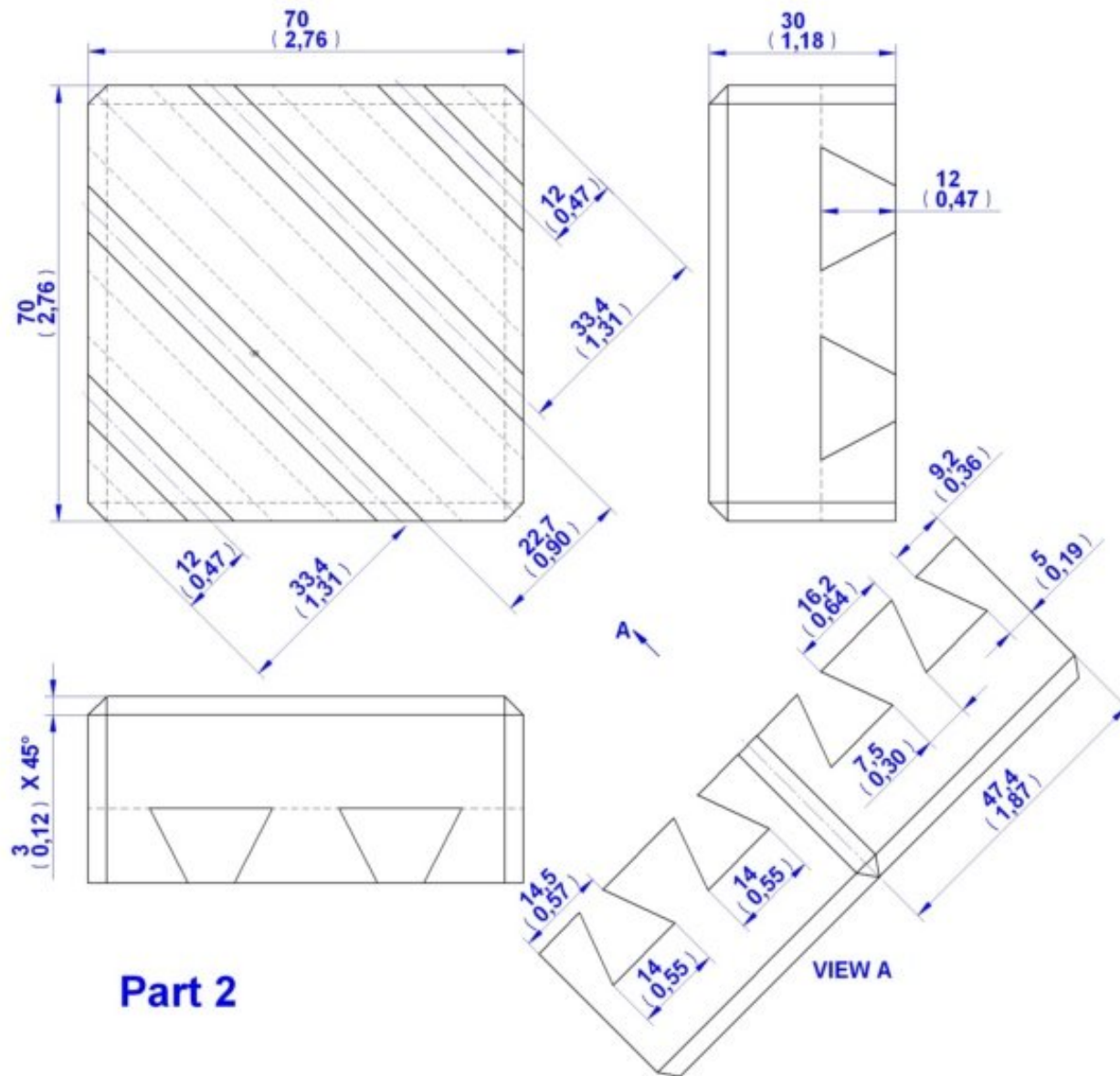


Double dovetail joint puzzle plan - Part 1



Part 1

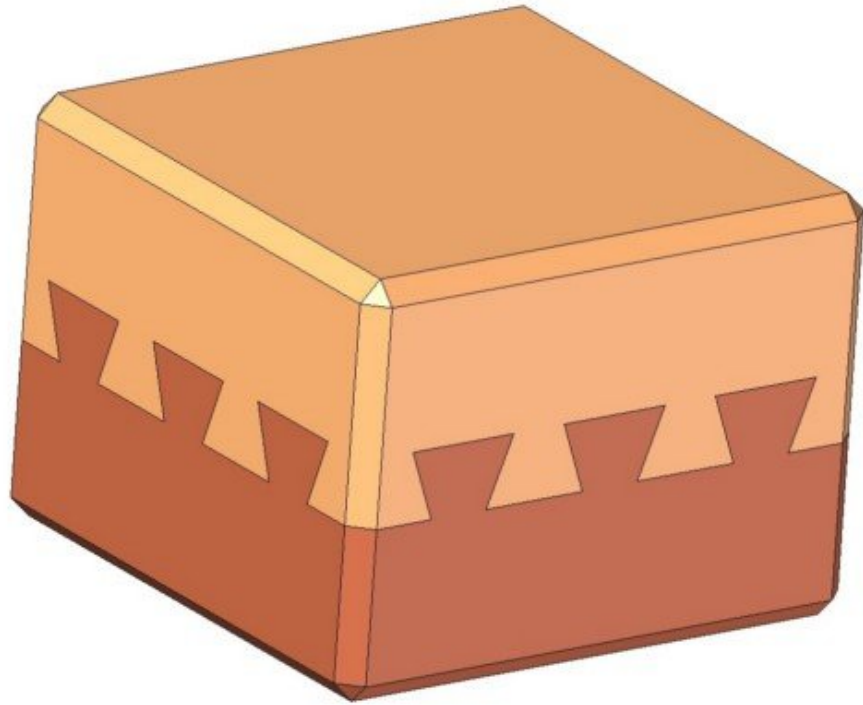
Double dovetail joint puzzle plan - Part 2



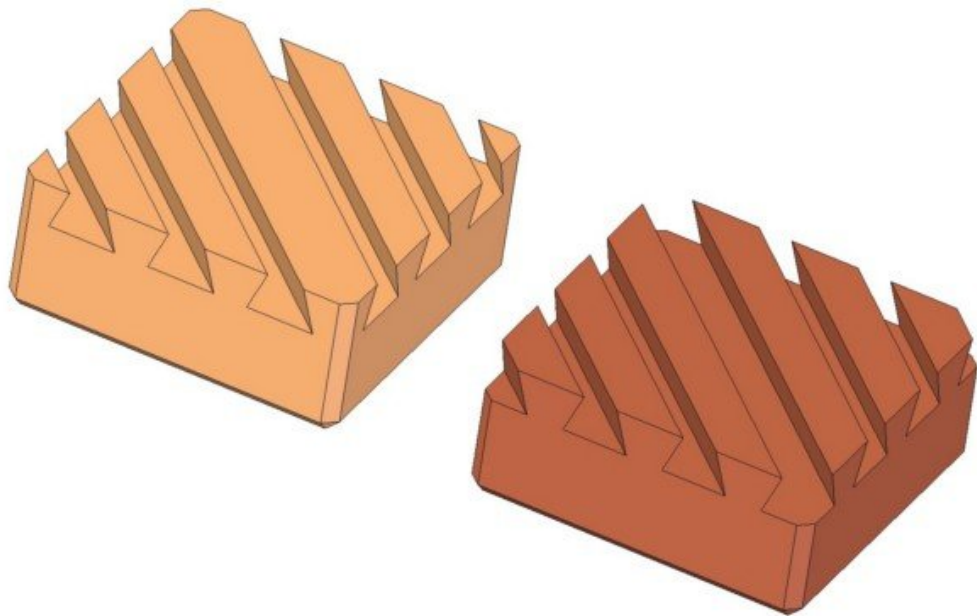
Part 2

VIEW A

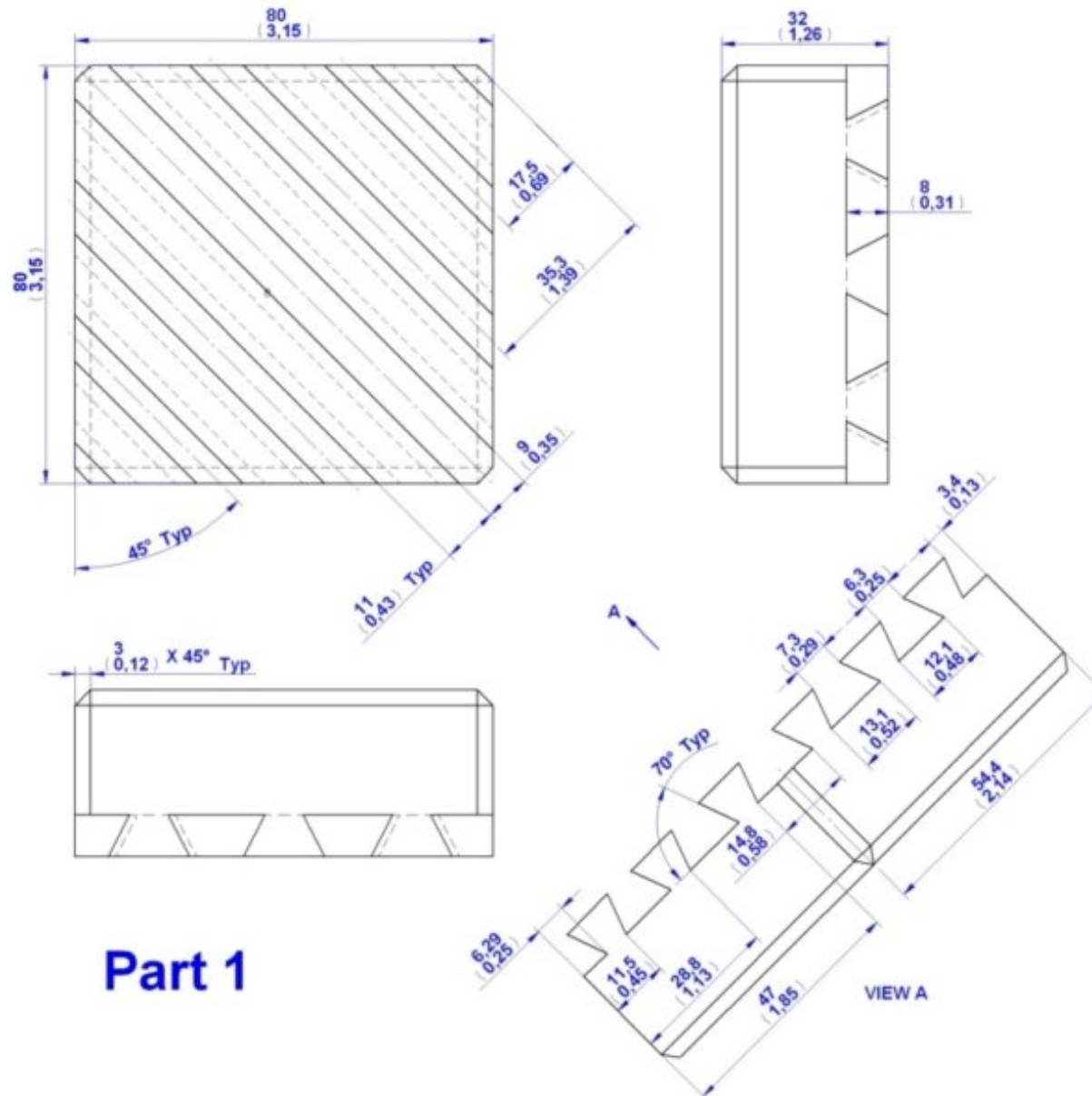
TRIPLE DOVETAIL JOINT PUZZLE PLAN



Triple dovetail joint puzzle solution

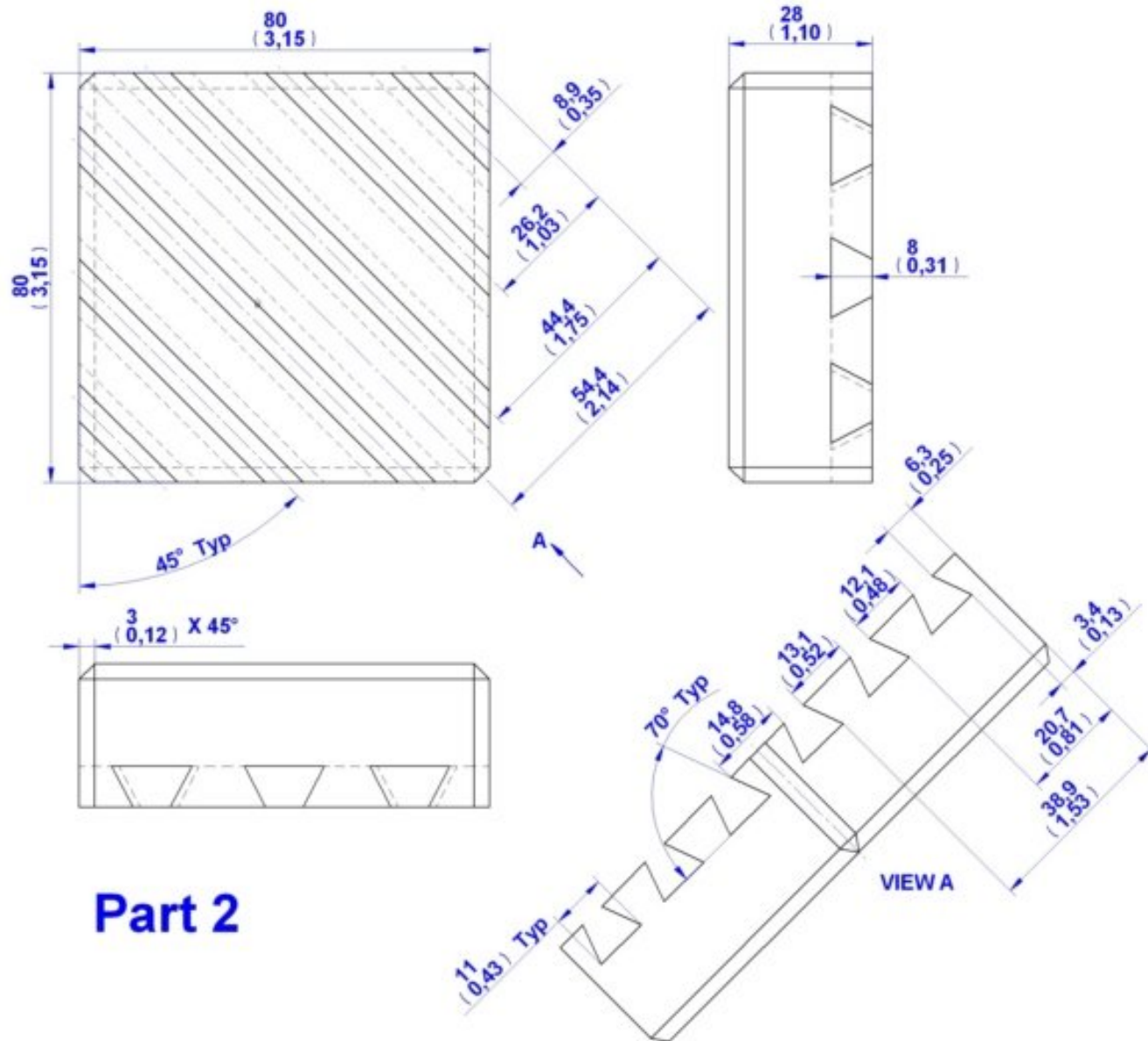


Triple dovetail joint puzzle part 1



Part 1

Triple dovetail joint puzzle part 2



Another solution

