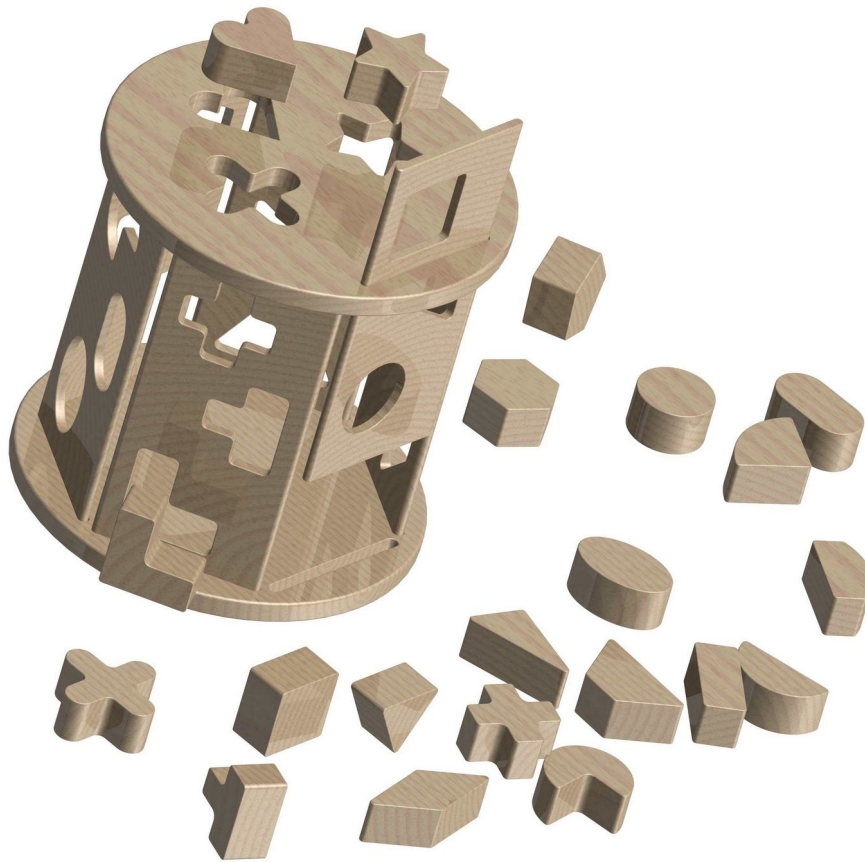


Shaped Hexagon



On this page you can download a plan by which you can make an interesting and educational toy that we named the Shaped Hexagon Toy. This is one of the classic educational toys that are used to get children familiar with basic shapes and colors, for the development of their motor skills and logical thought. Educational toys are essential for proper child development, and each individual child should definitely pass through the stage of playing with such toys.

The construction of the toy consists of the base, the top and 6 side pieces. On the top part, there is a slot that allow the side piece to slide partially. The remaining parts of the side pieces can be glued to the top and base parts, but this is optional. In case you choose to leave out the glue, you will have to be very careful when moving the toy from one place to another, as it can easily fall apart. The toy body is built in such a way that it forms a closed container whose interior can be accessed by moving the side piece through the slot.

The toy also includes 21 pieces that are various geometric shapes. All of these shapes are cut out on the side pieces and the top part, only of slightly larger size. Children's task is to insert these shapes inside the toy, developing their ability to recognize shapes; since there is quite a variety in shapes, the toy is not as easy to play as it might seem at first sight.

The very shapes do not have to be geometric at all - they can be crafted in the shape of various animals, flowers, vehicles, etc. Such toys help children to grow up healthy; they stimulate their logical and creative thinking, hand-eye coordination and problem solving skills, which positively influences their mental development. Children love vibrant, bright colors so it is best to paint the pieces in different

colors. This will surely attract your kids' attention! The toy can be made from either hardwood or softwood, and the tiny parts from various remnants left behind at the workshop after some previous projects of yours.

Children aged 3+ love these toys, and they will certainly occupy their attention and keep them busy for a while. Of course, similar toys can be bought at the shops, but if you like crafting in your workshop, this is a great opportunity to try your hand at it. A high-quality toy like this one will surely last for generations.

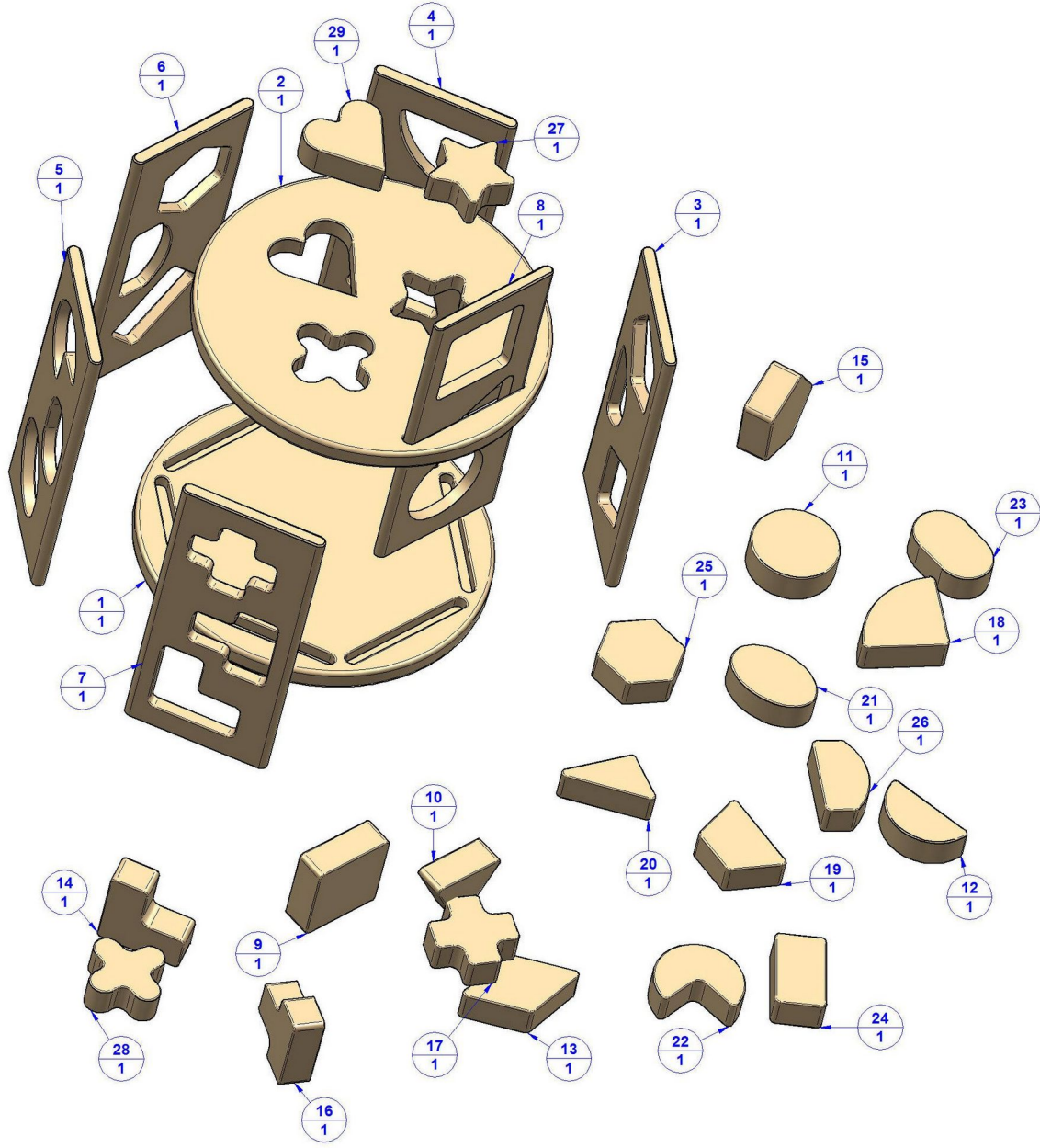
The toy is designed so that when the child stops playing, all parts can be placed inside of it. Cleaning up after play and putting the toy away are also important for the learning process - your child is taught to be tidy and diligent. Mental stimulation through play is very important for child development, as well as it is desirable that the child learns and accepts certain things that simply have to be done, even if they do not like them.

It is quite possible that you will not insist upon this in the beginning, but when you find yourselves repeatedly stepping onto the toy pieces scattered all around the house, everything will fall into its place.

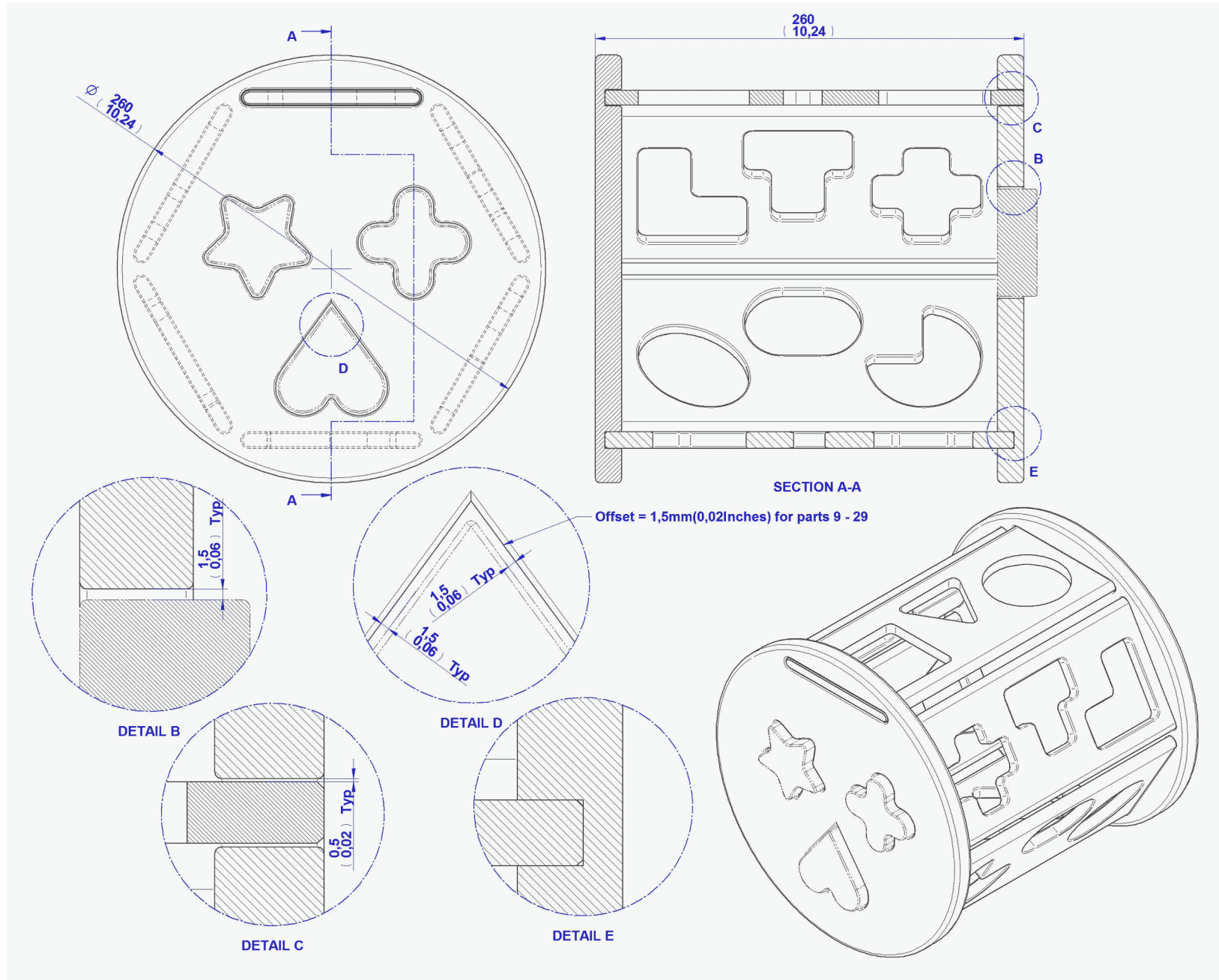
In the following pictures you can find all the information needed for the making of the Shaped hexagon toy. You are given a parts list, parts & assembly drawings and an exploded view.

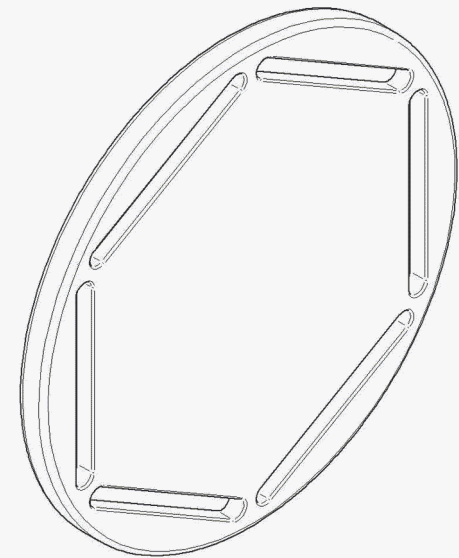
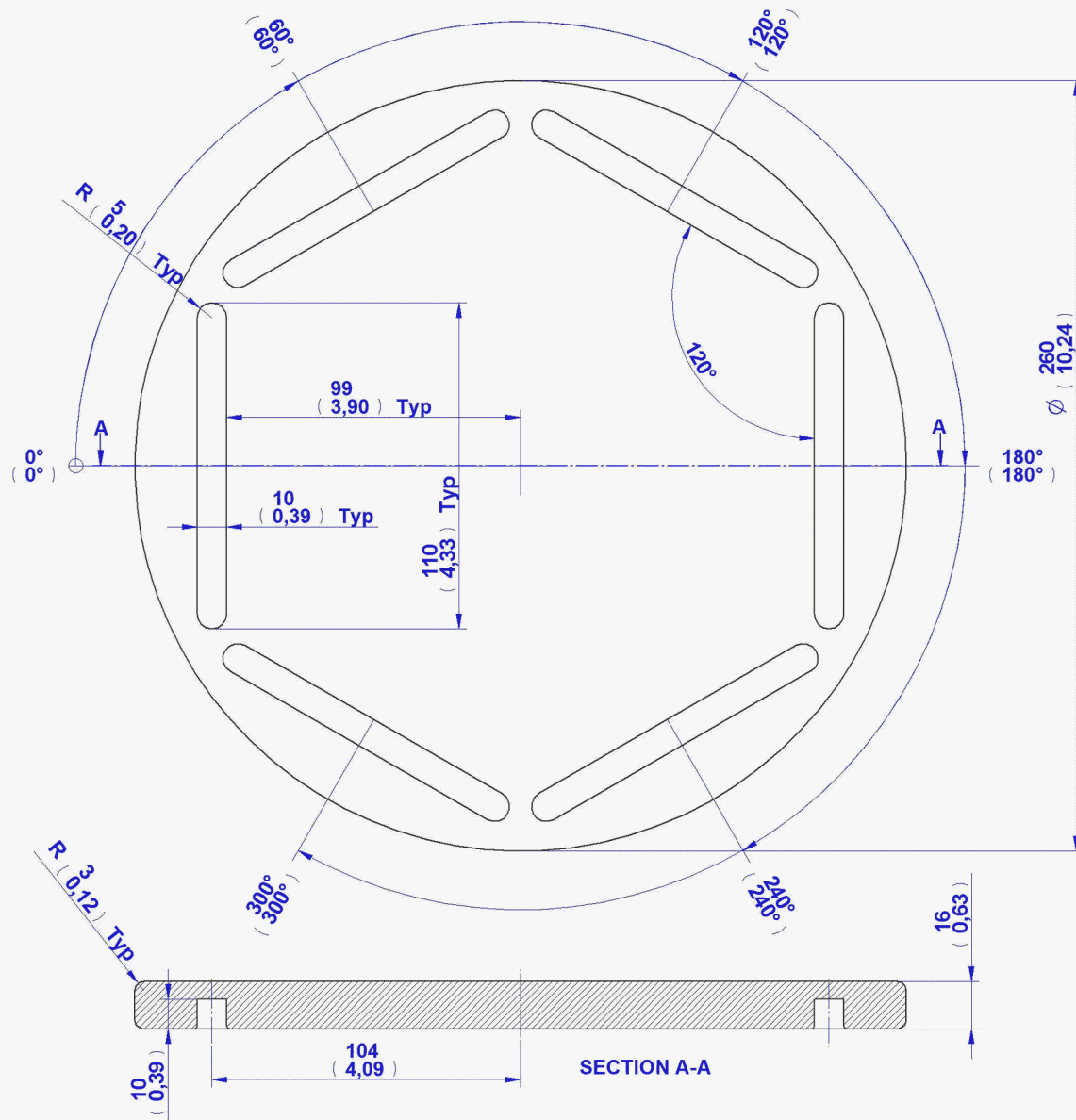
PARTS LIST

Item Number	Title	Material	Quantity
1	Base	Wood	1
2	Top	Wood	1
3	Side 1	Wood	1
4	Side 2	Wood	1
5	Side 3	Wood	1
6	Side 4	Wood	1
7	Side 5	Wood	1
8	Side 6	Wood	1
9	Square	Wood	1
10	Triangle	Wood	1
11	Circle	Wood	1
12	Semicircle	Wood	1
13	Romboid	Wood	1
14	L	Wood	1
15	Pentagon	Wood	1
16	T	Wood	1
17	Cross	Wood	1
18	Arc	Wood	1
19	Trapezoid	Wood	1
20	Triangle Square	Wood	1
21	Ellipse	Wood	1
22	Packman	Wood	1
23	Rounded Rectangle	Wood	1
24	Rectangle	Wood	1
25	Hexagon	Wood	1
26	Convex	Wood	1
27	Star	Wood	1
28	Rounded Cross	Wood	1
29	Heart	Wood	1

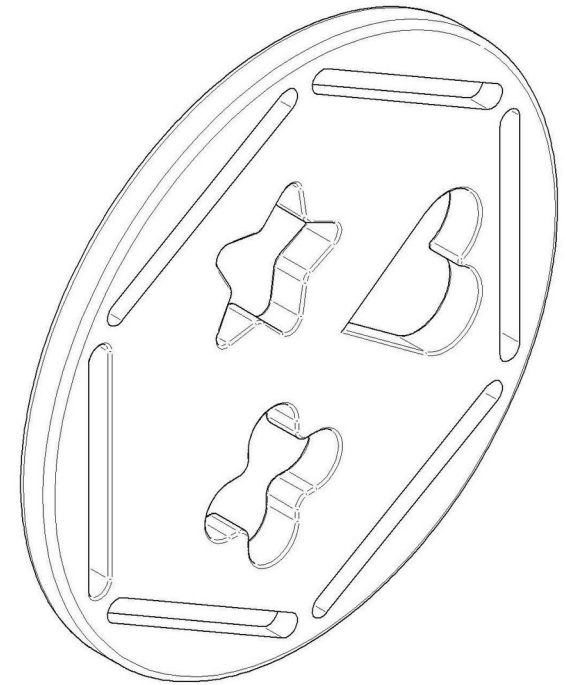
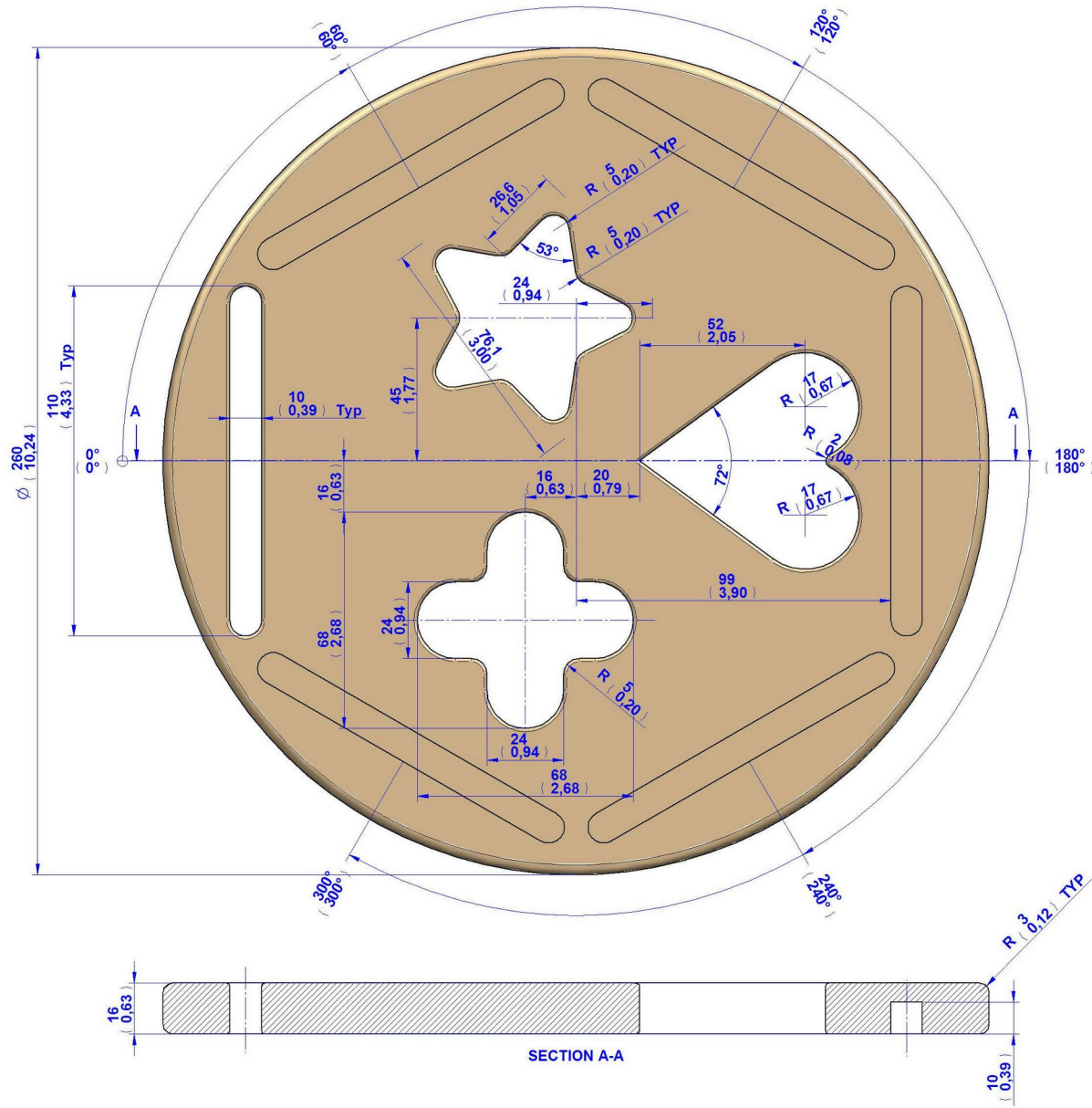


2D Documentation

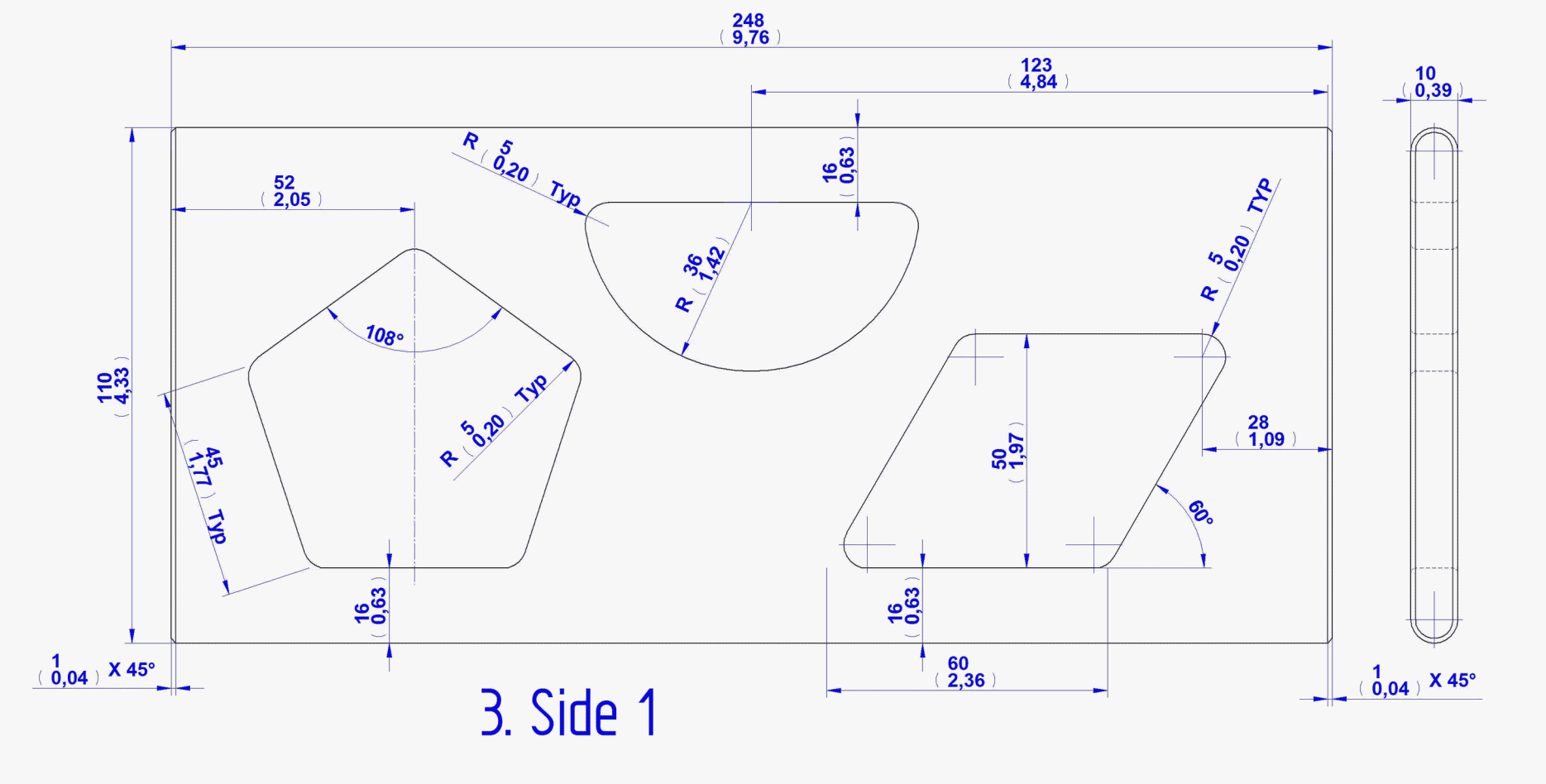


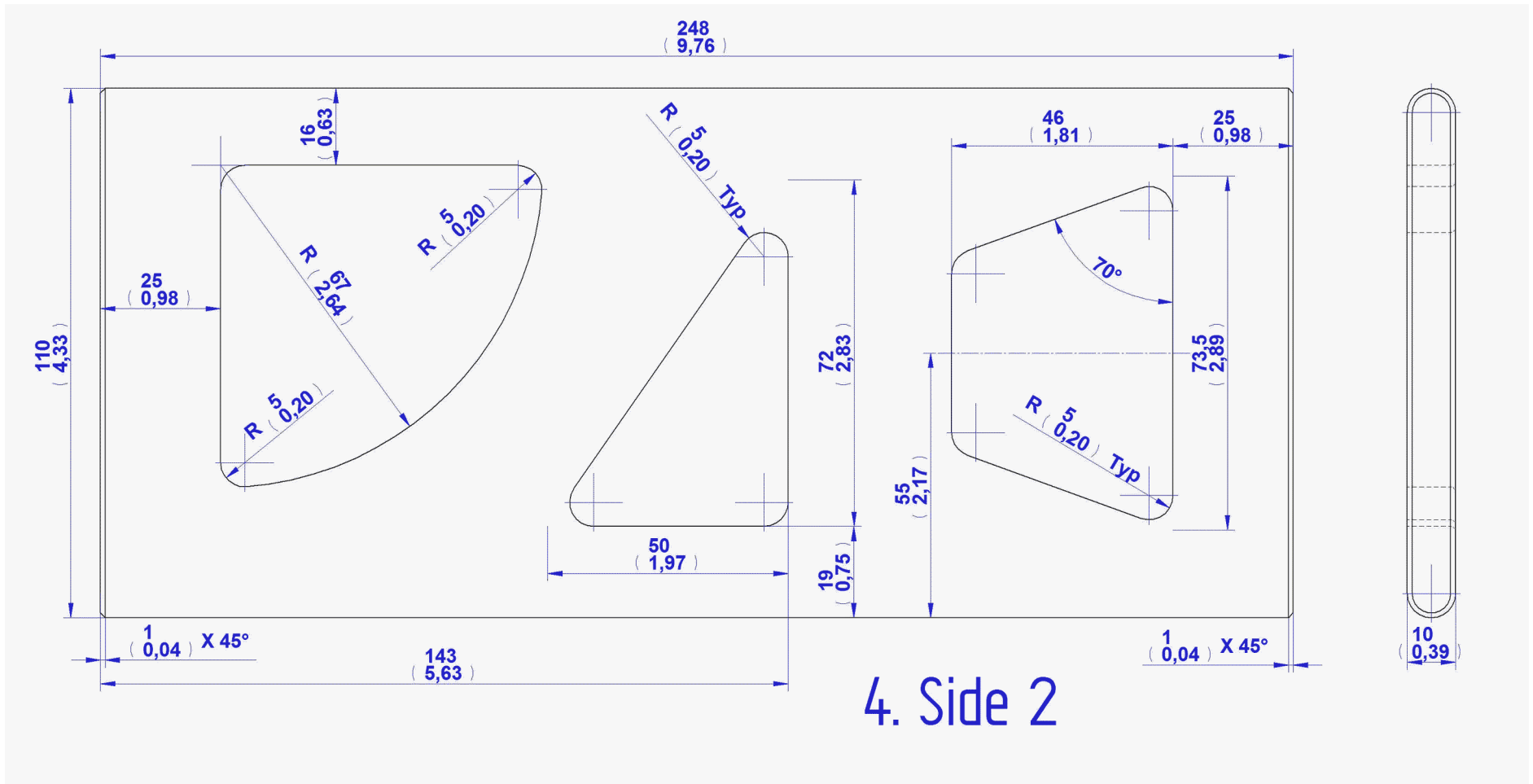


1. Base

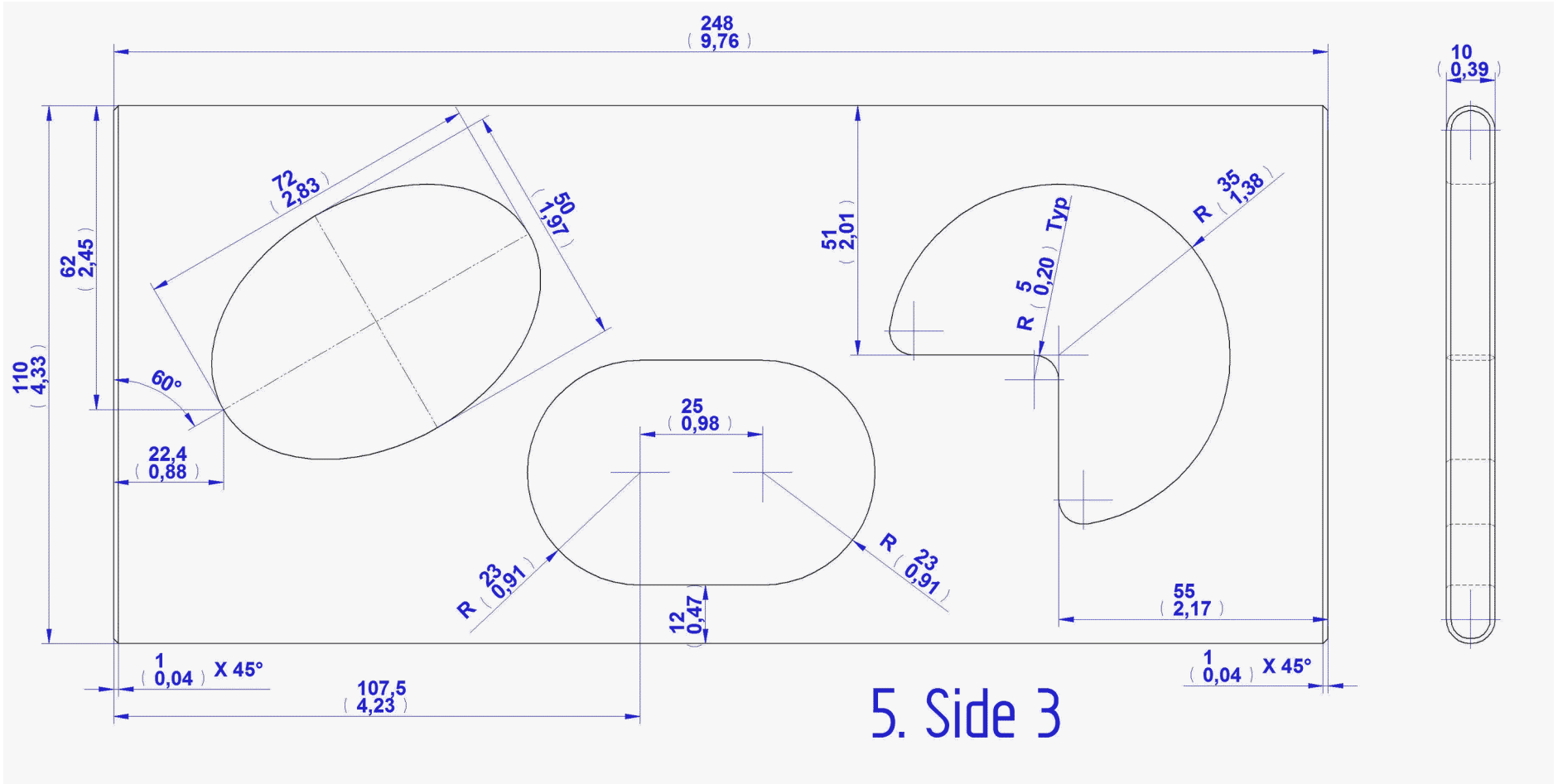


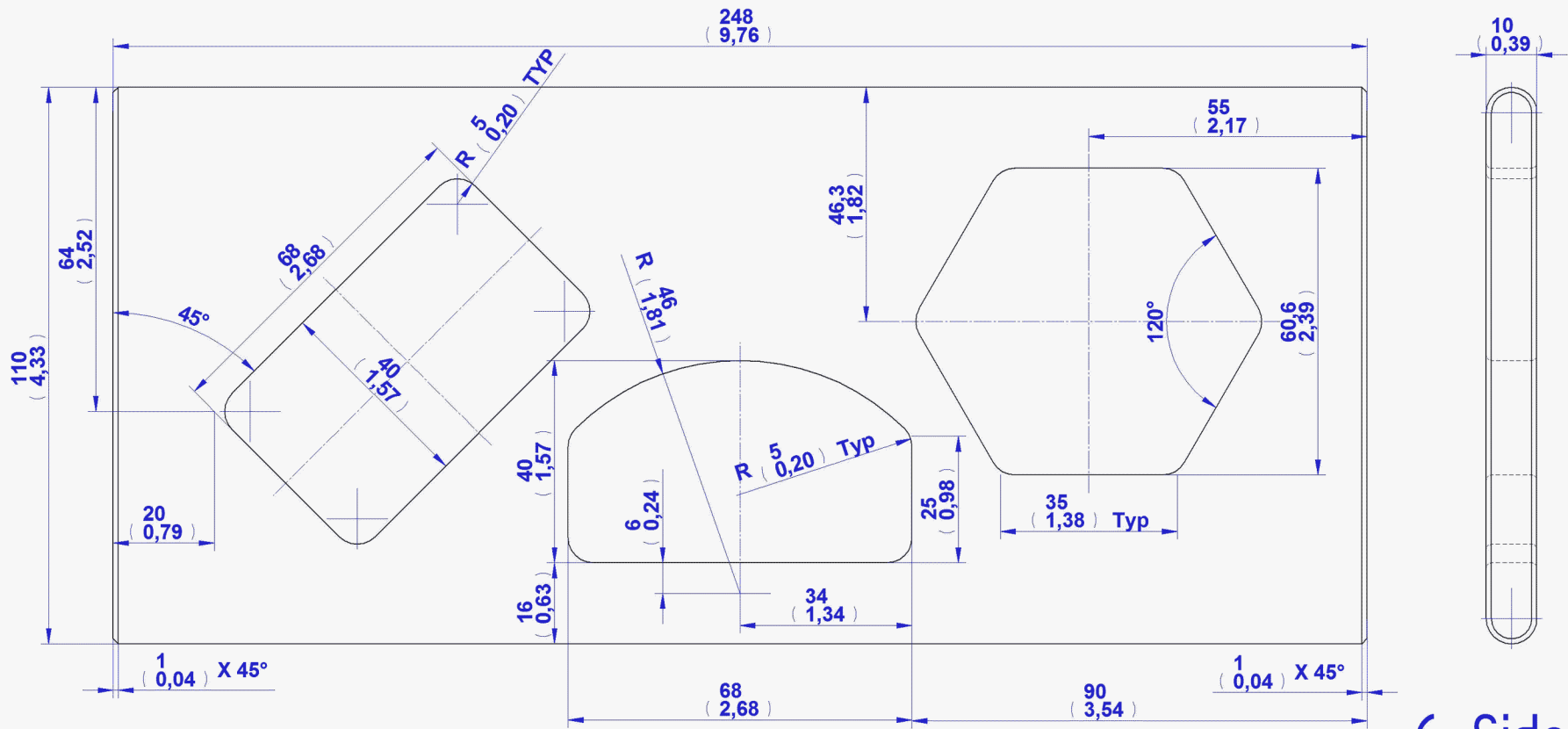
2. Top



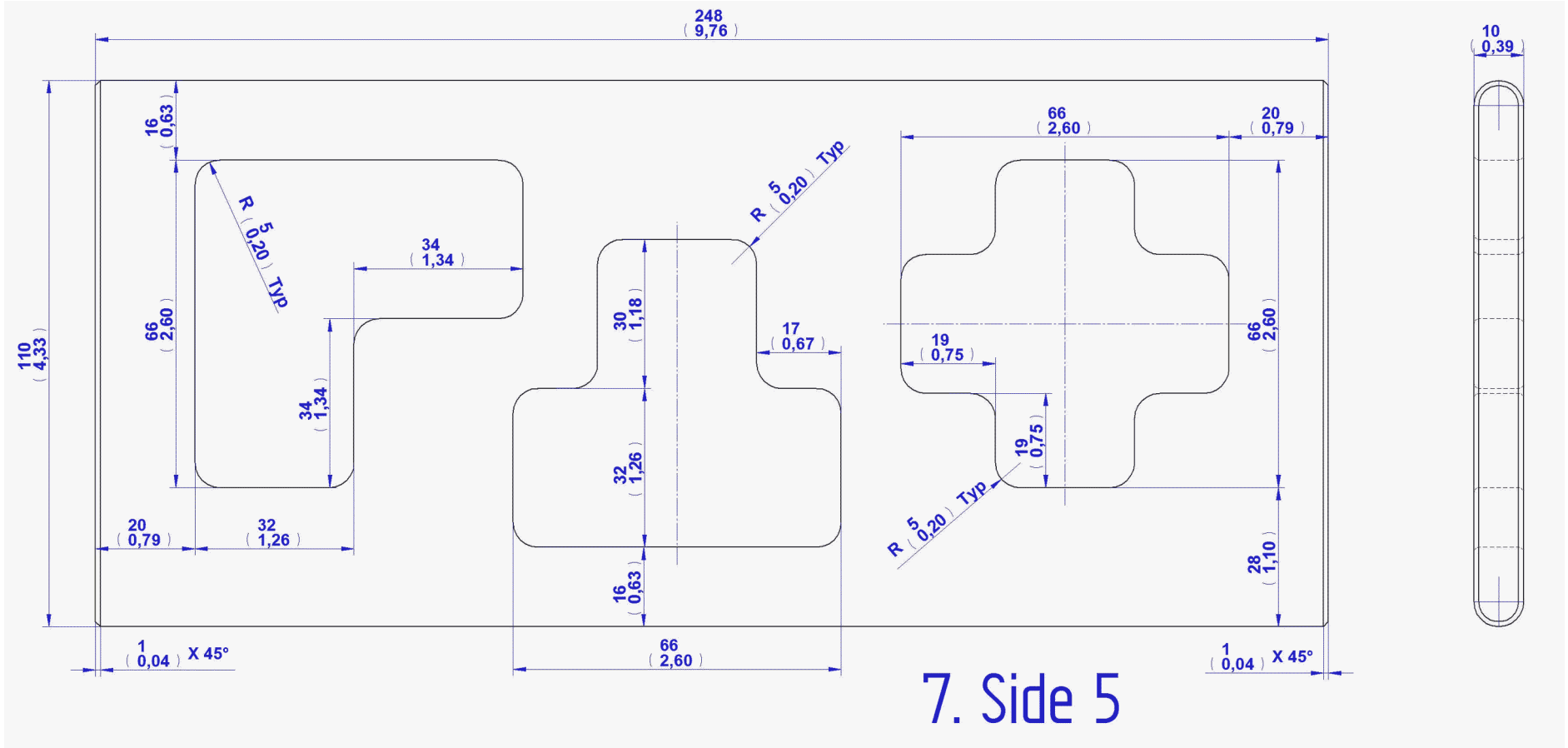


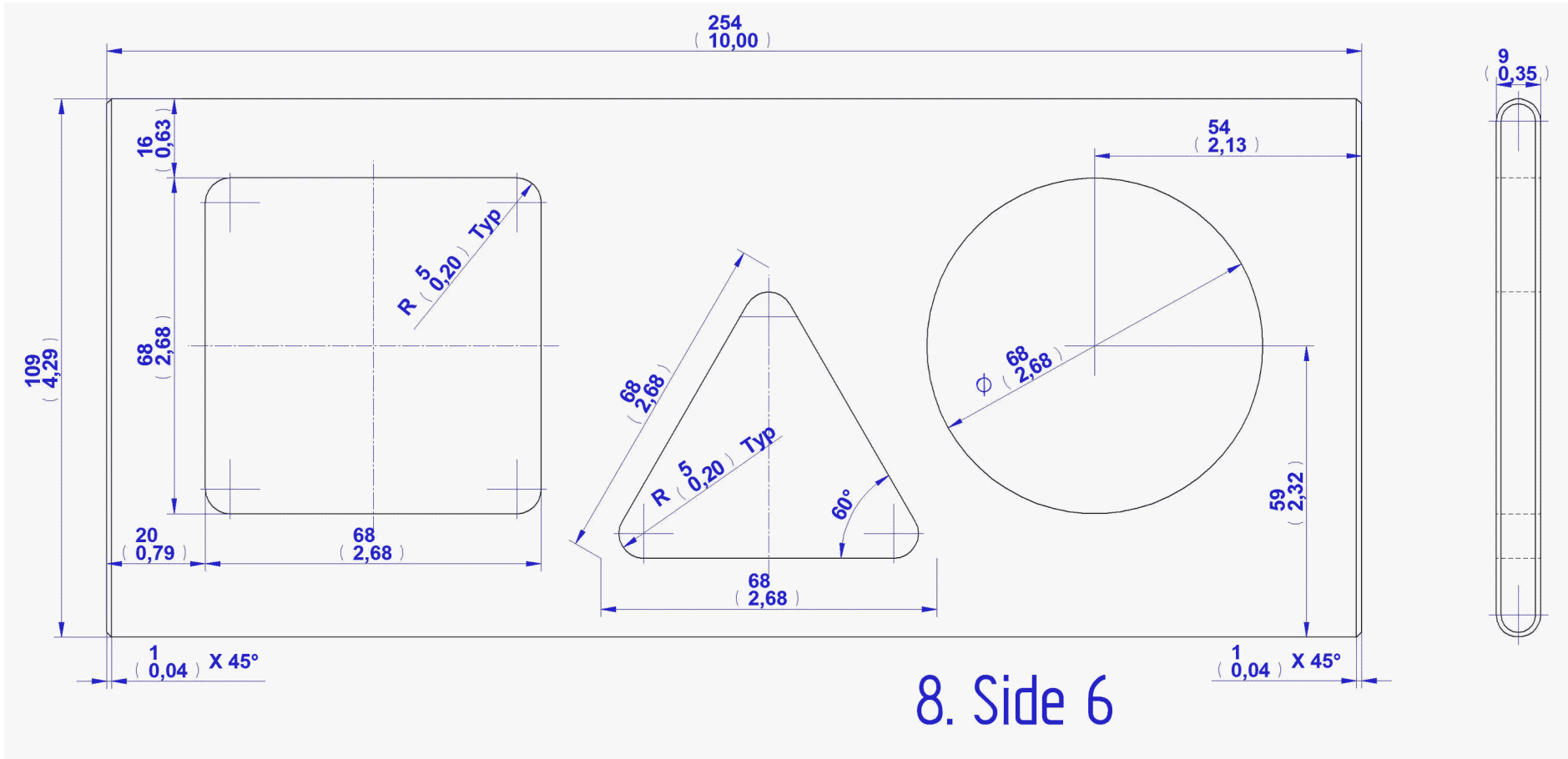
4. Side 2

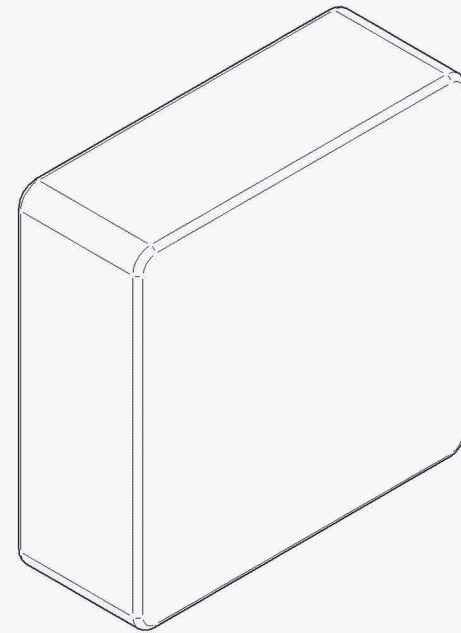
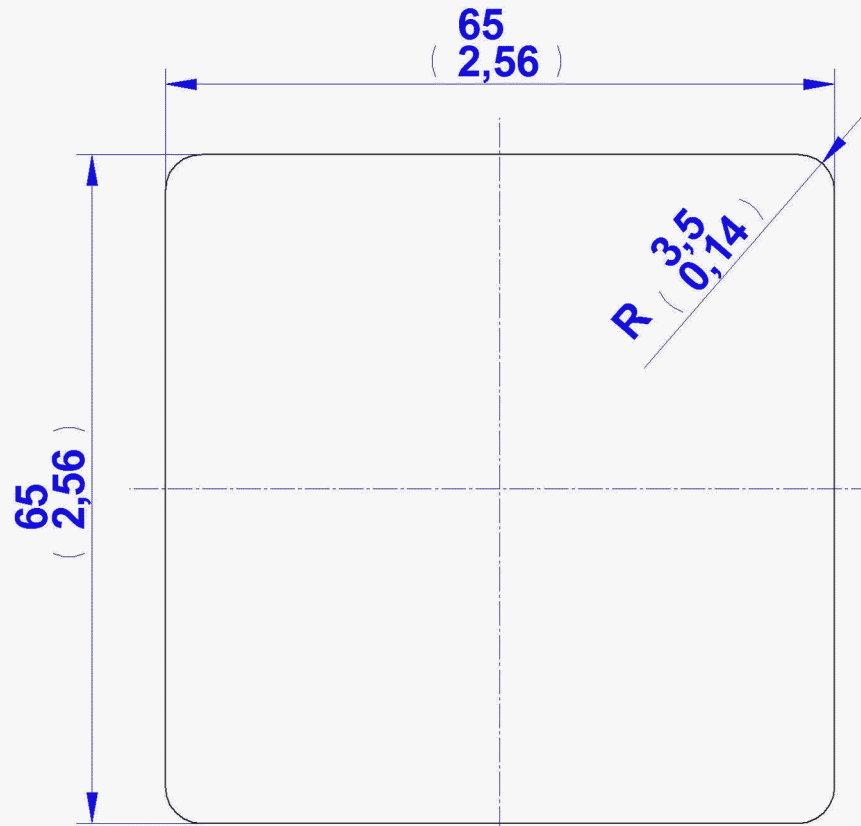




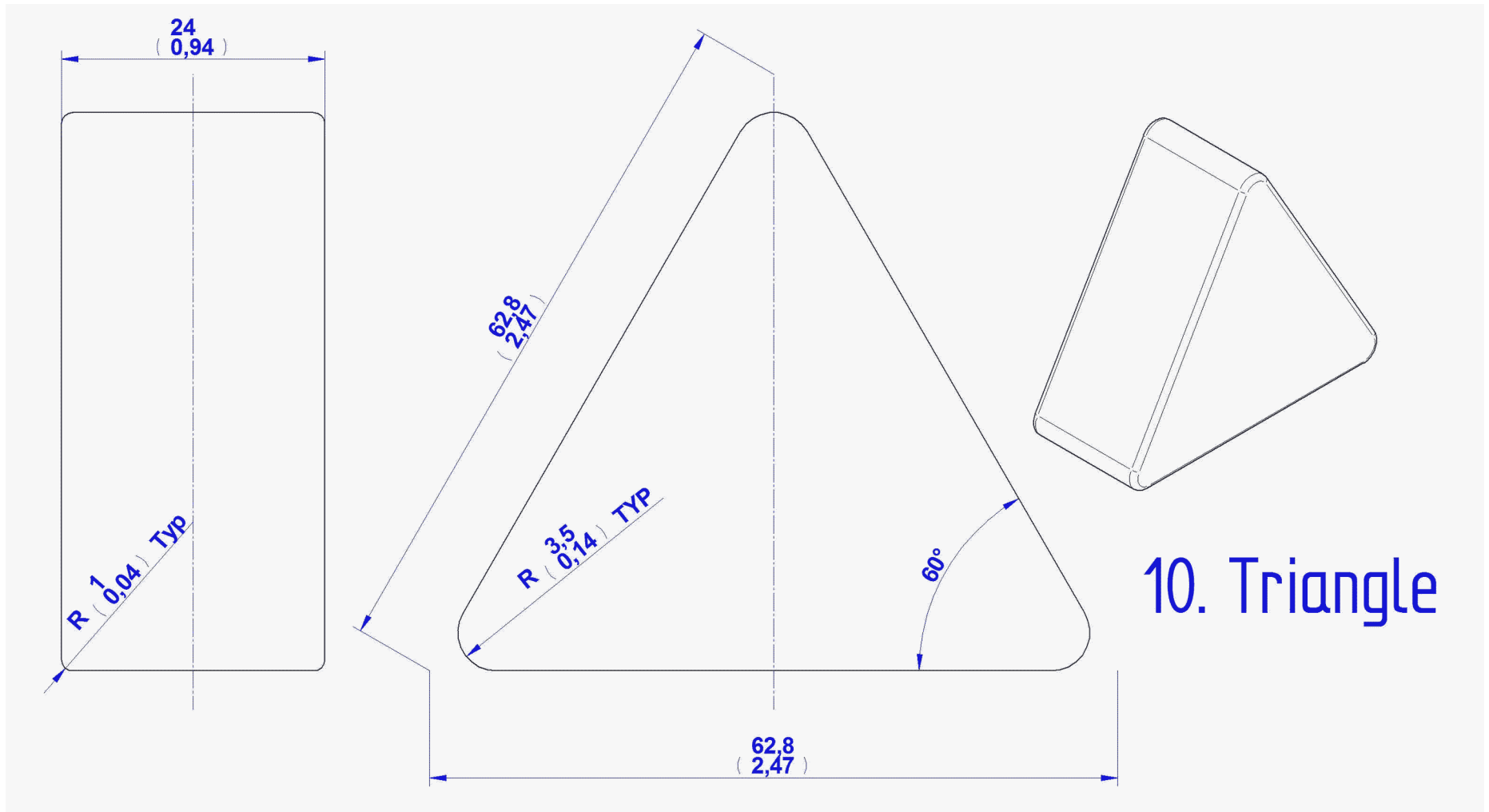
6. Side 4

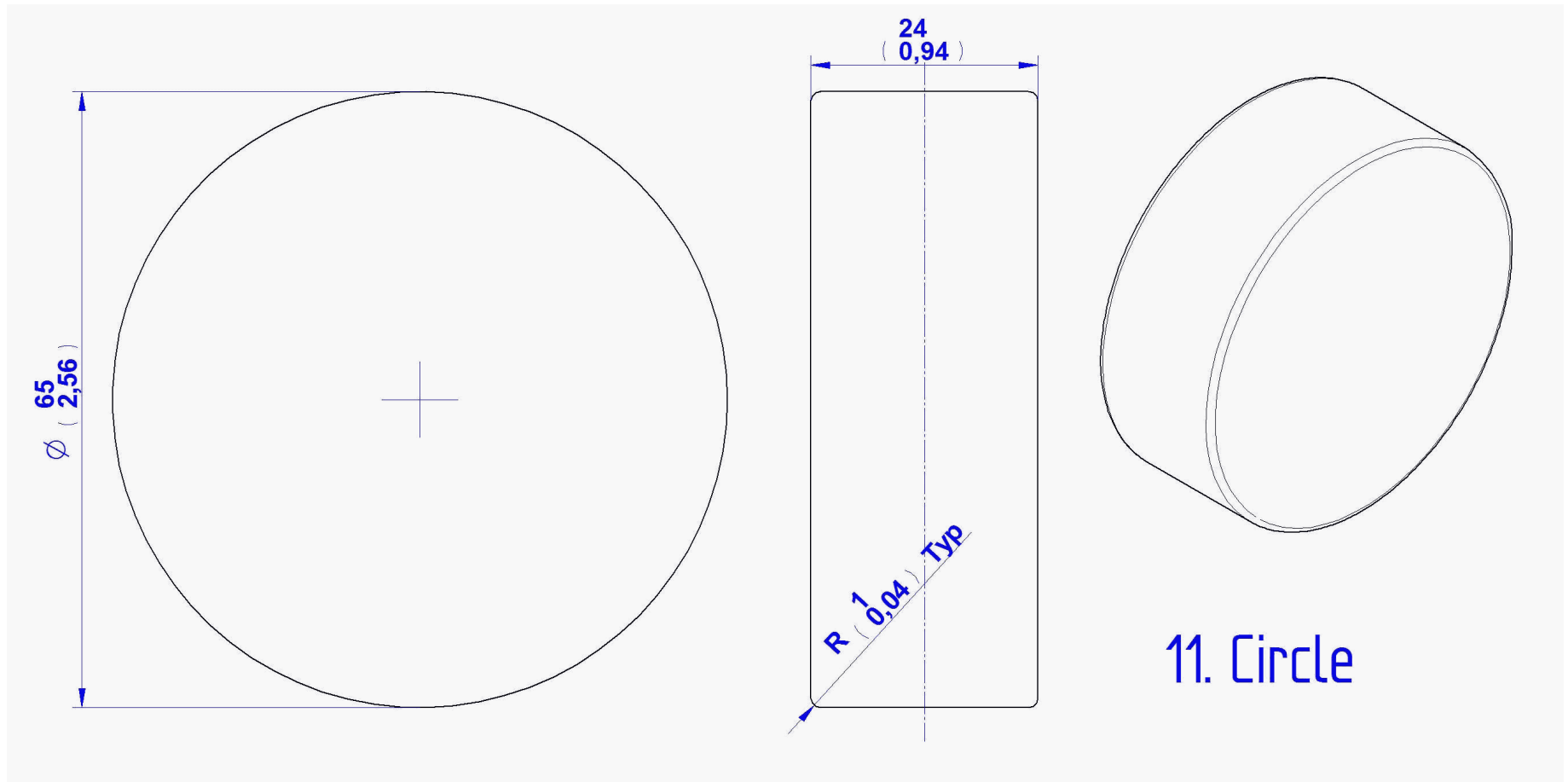




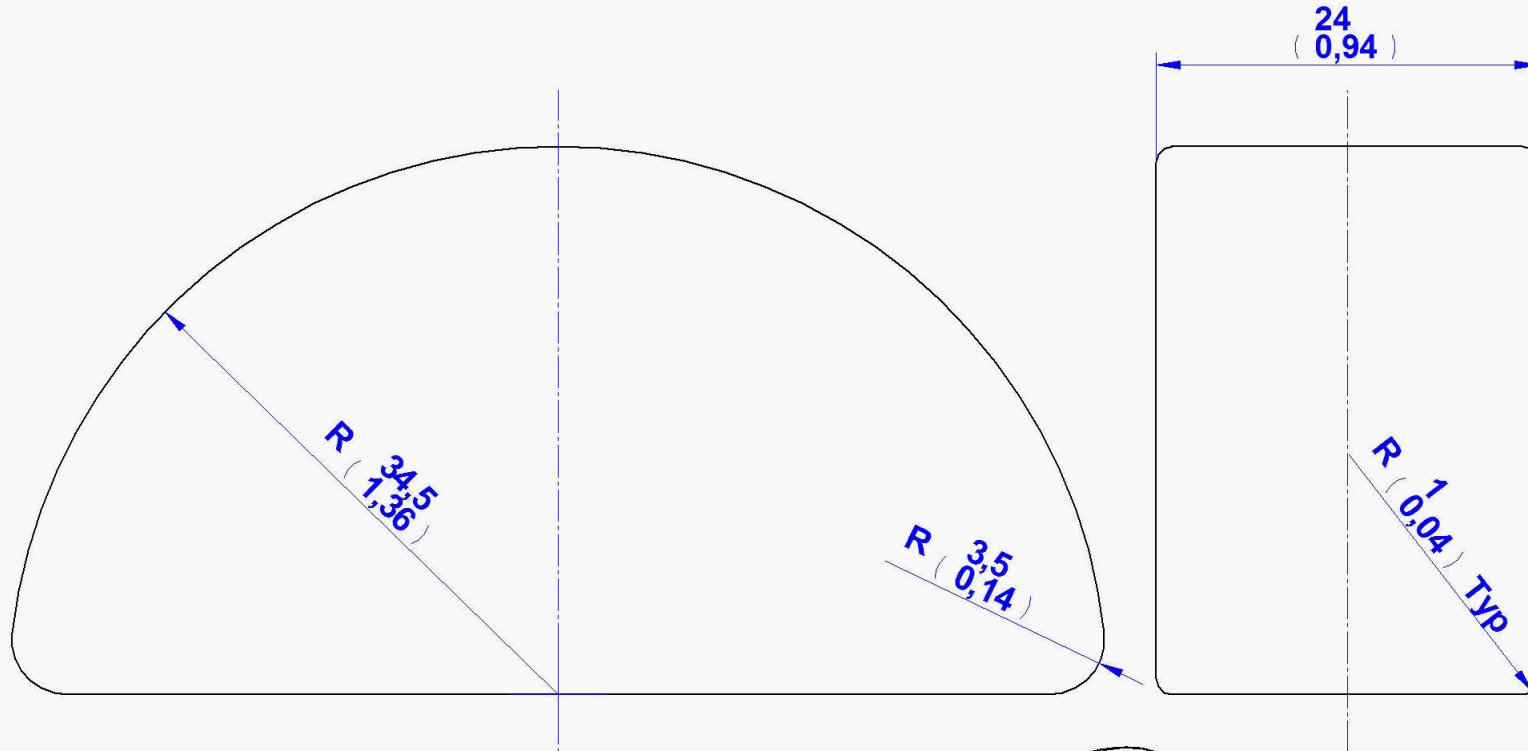


9. Square

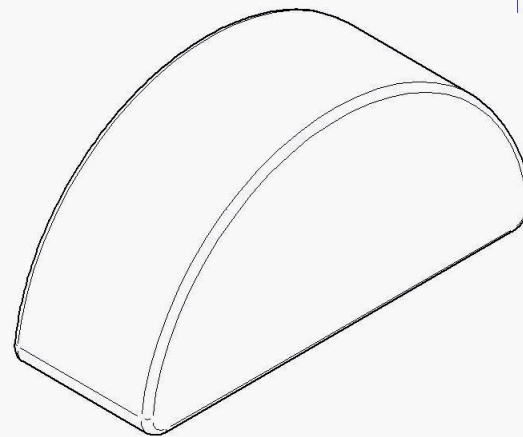


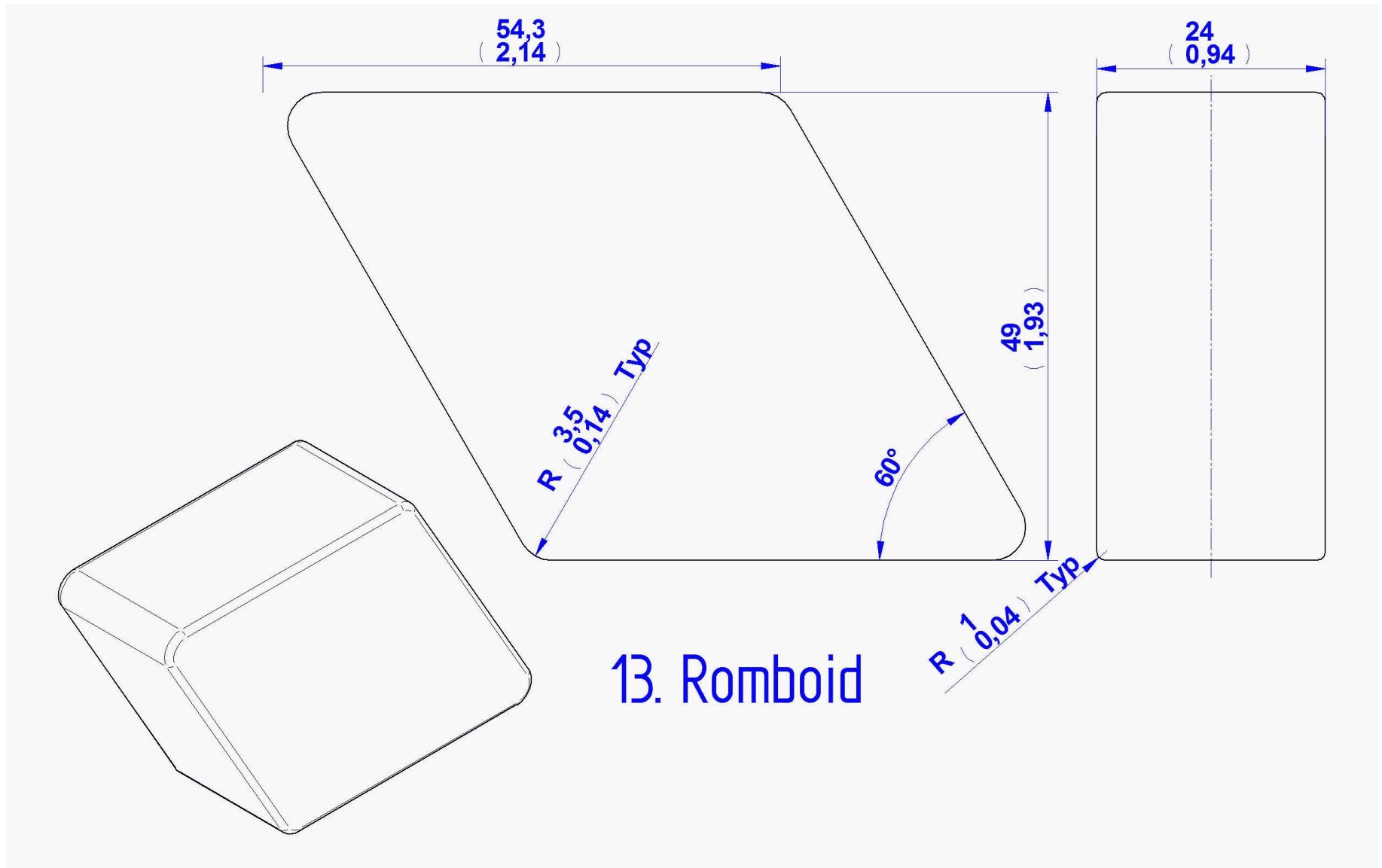


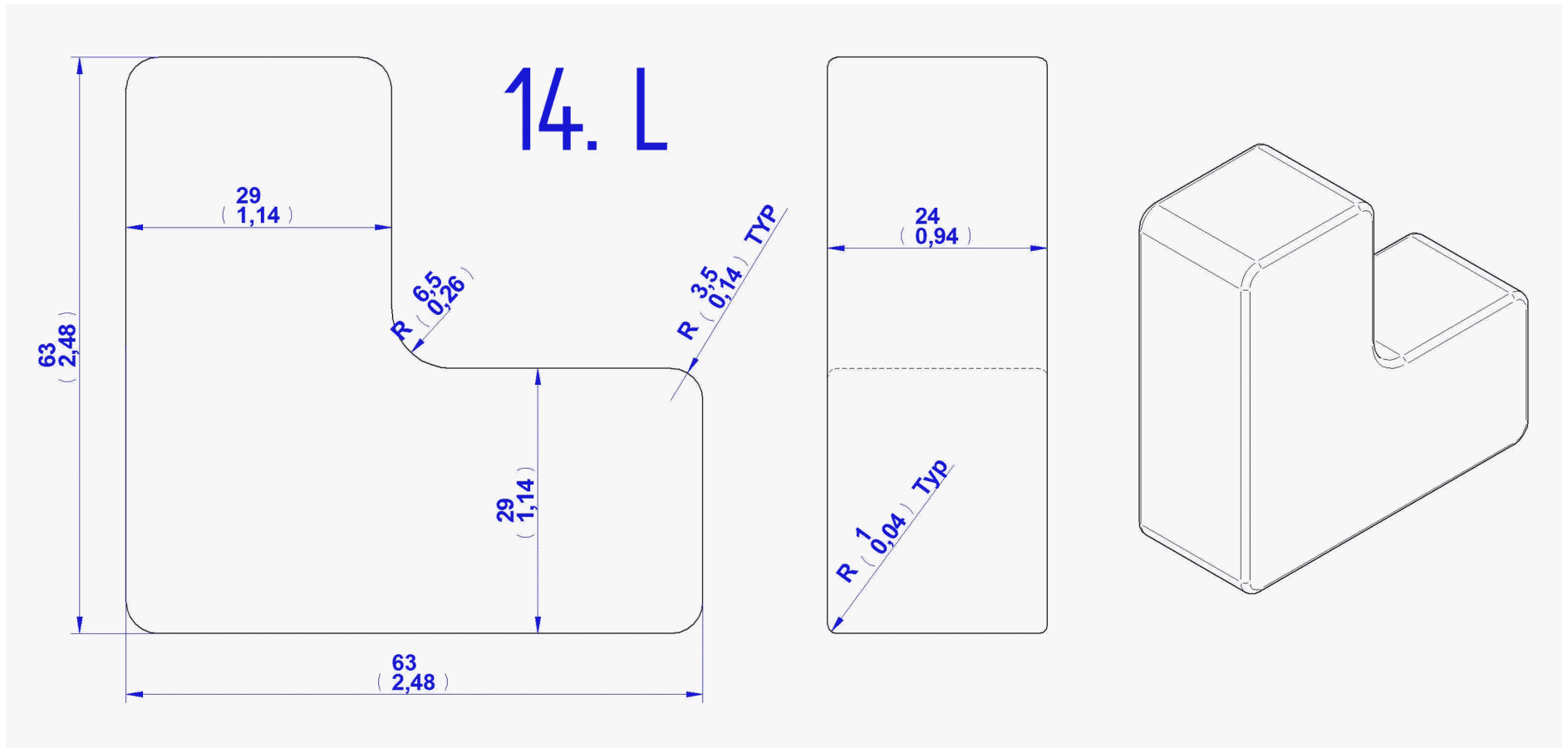
11. Circle

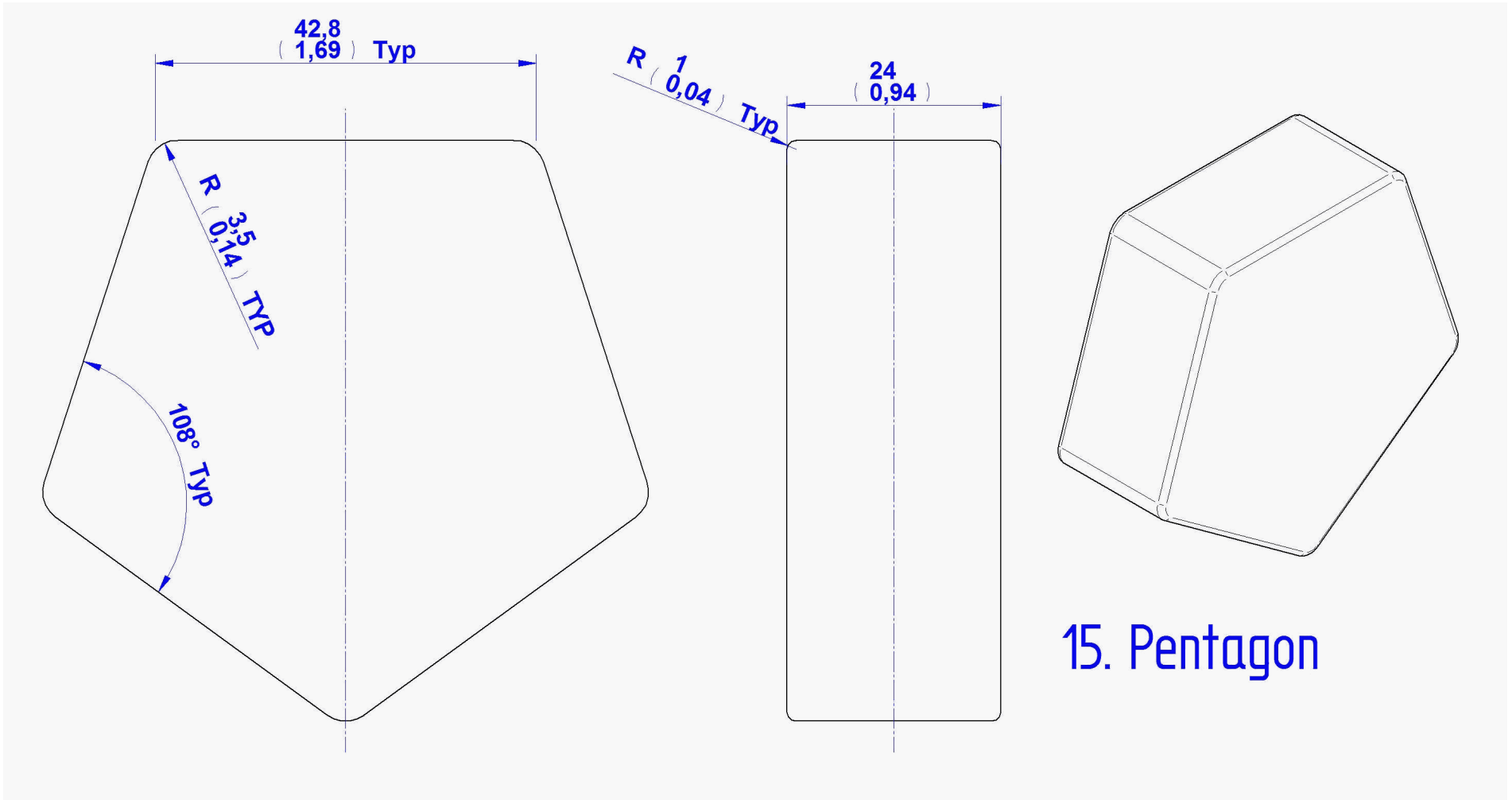


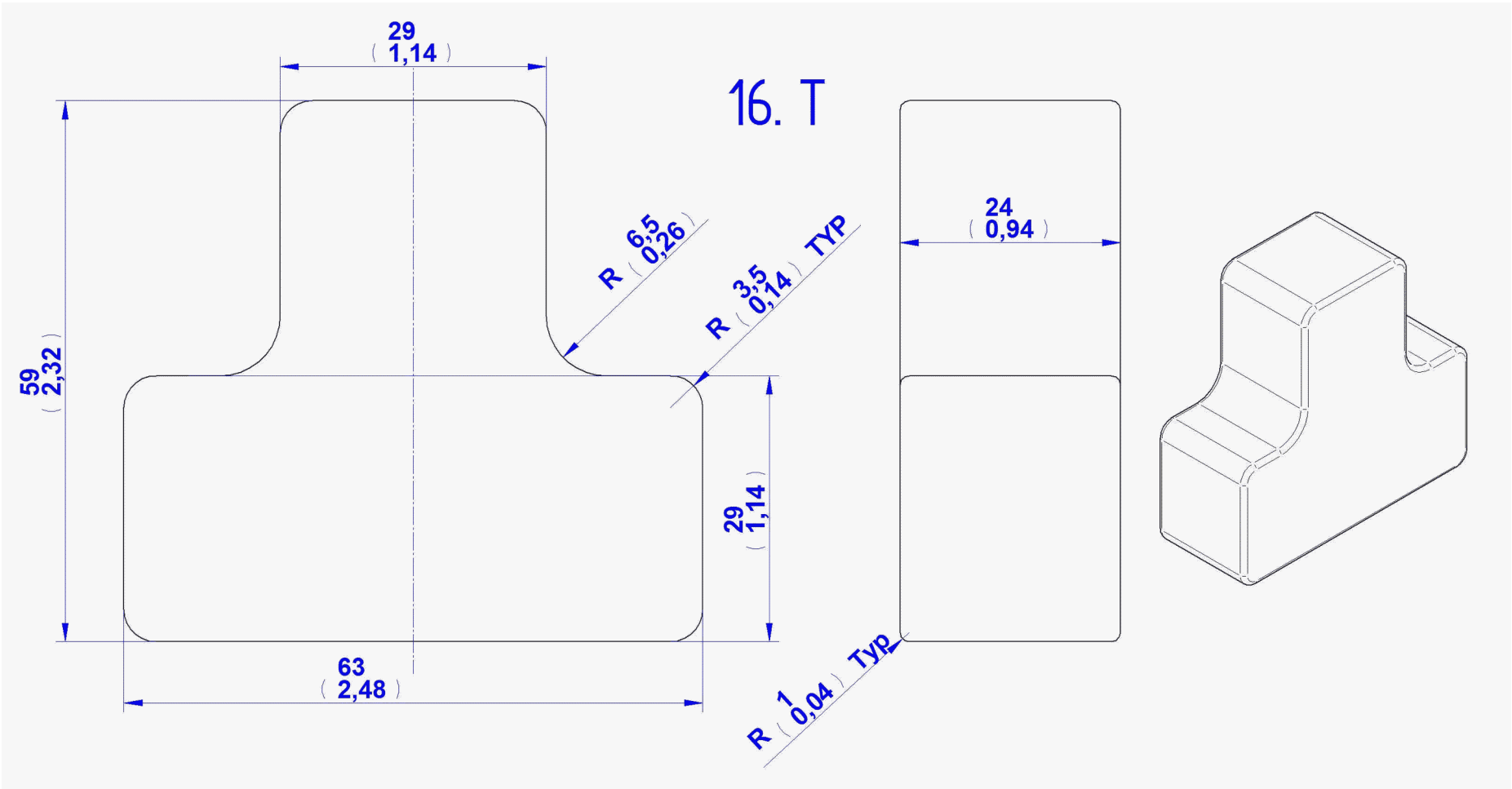
12. Semicircle

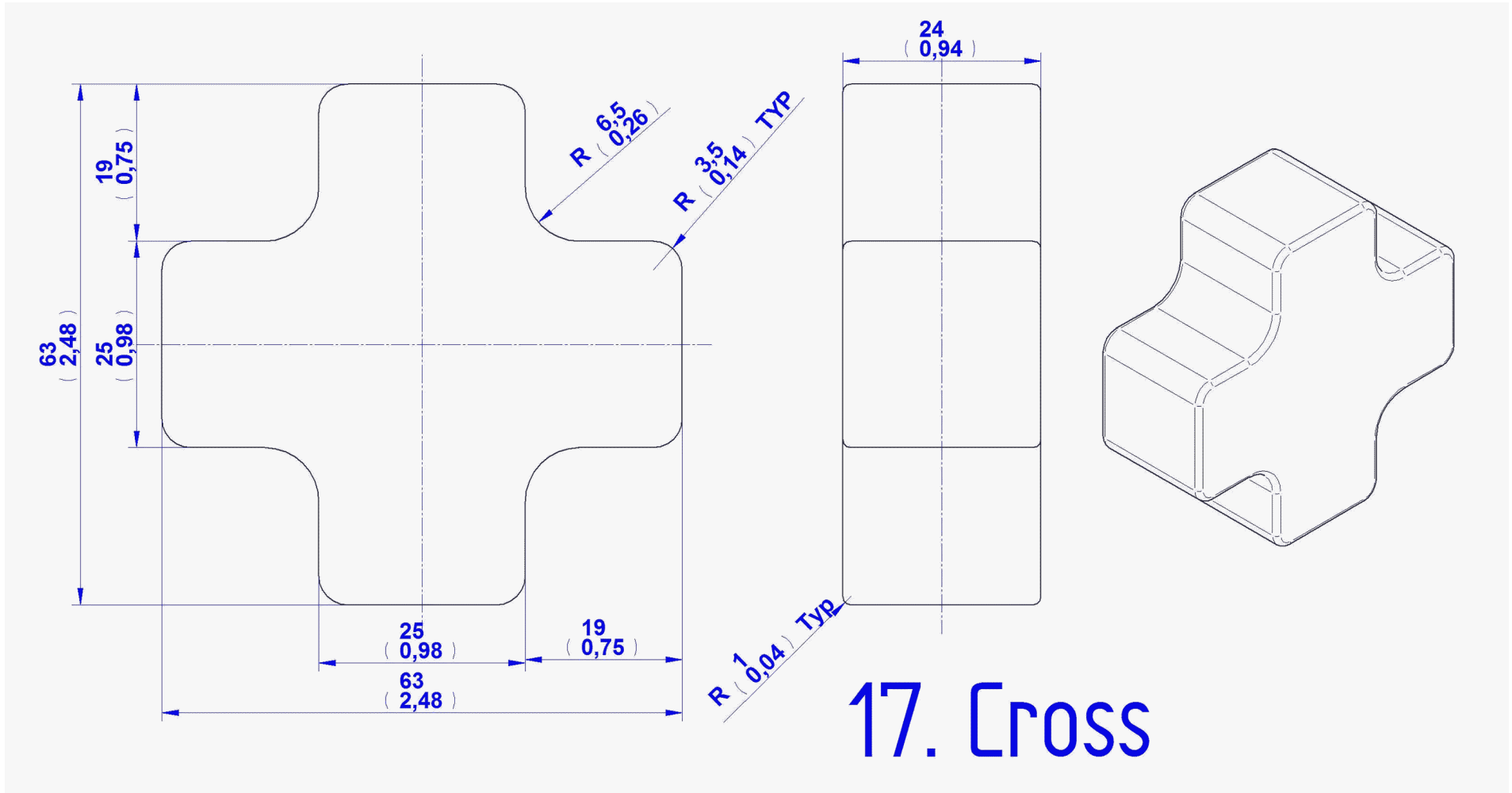


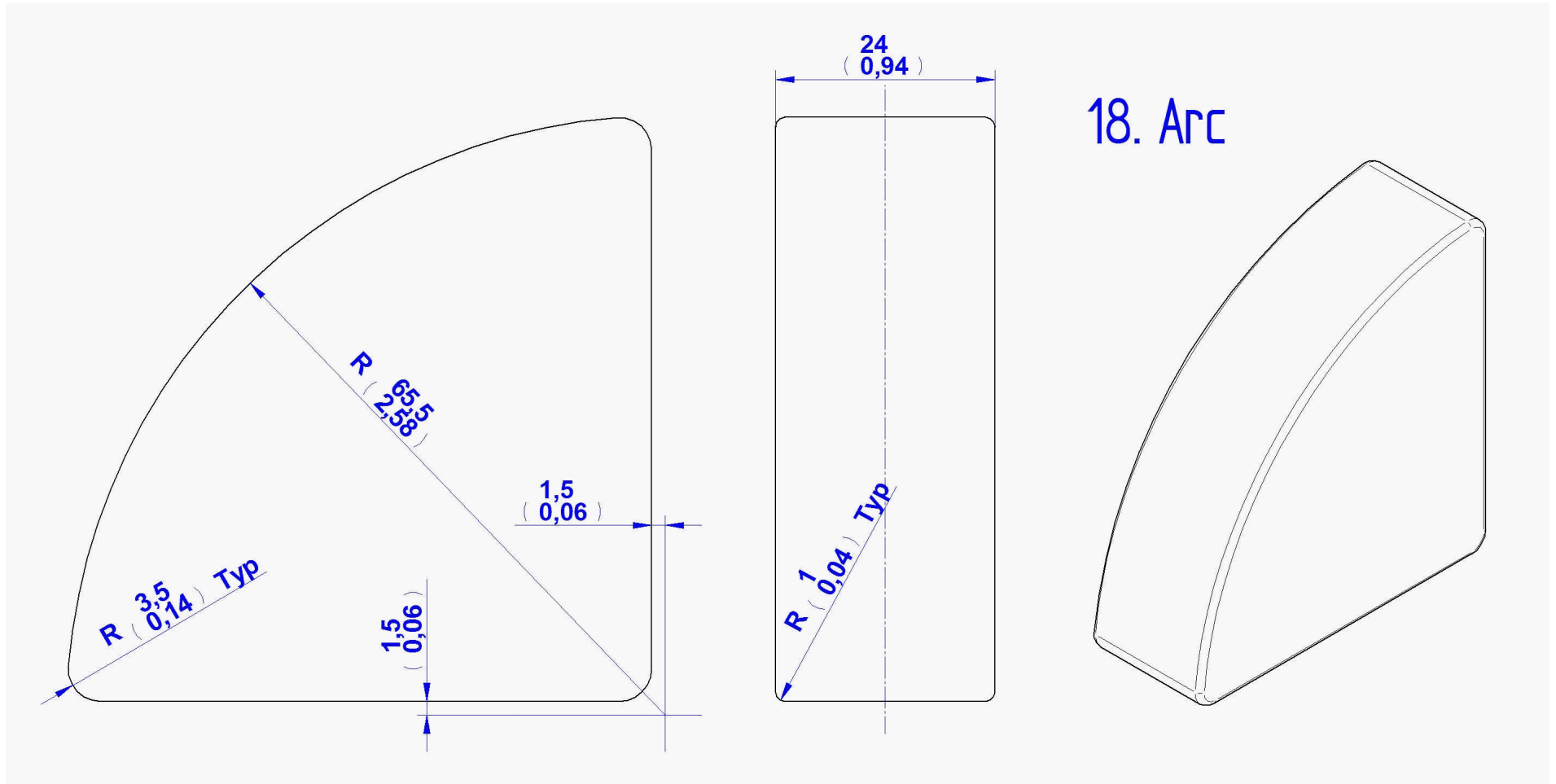


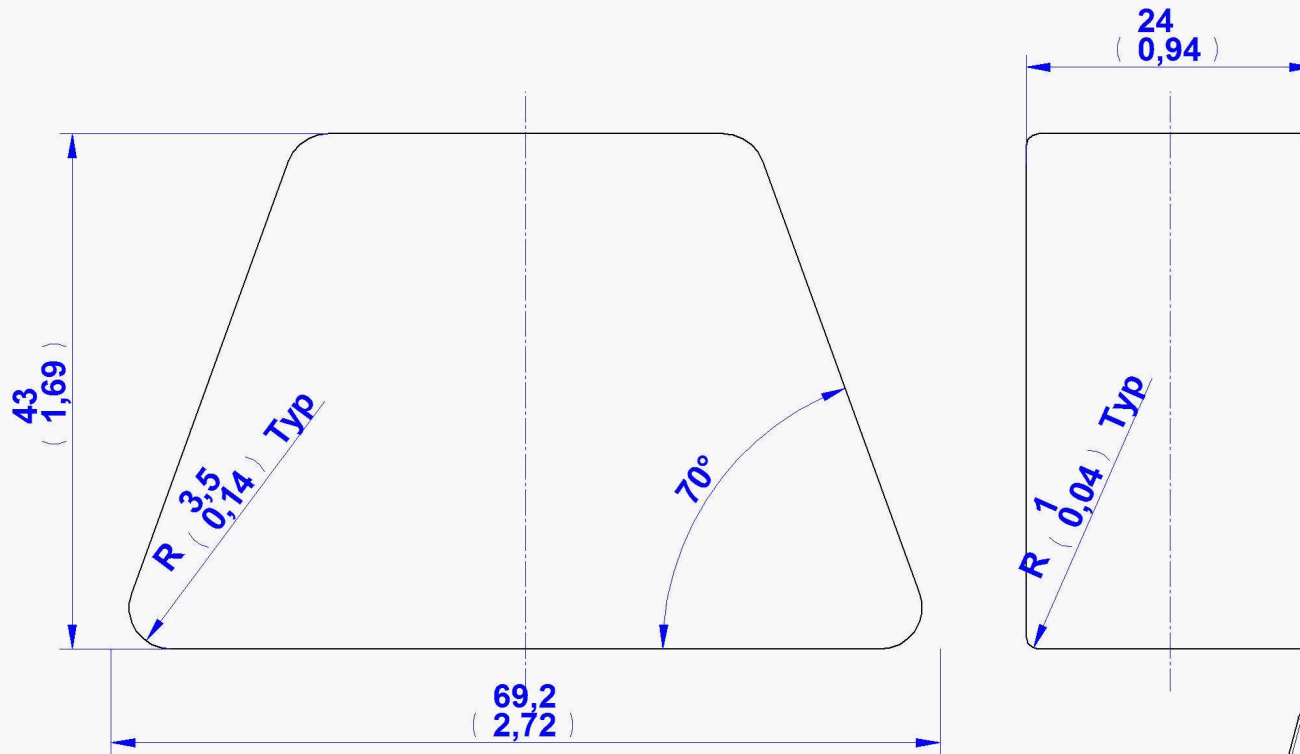




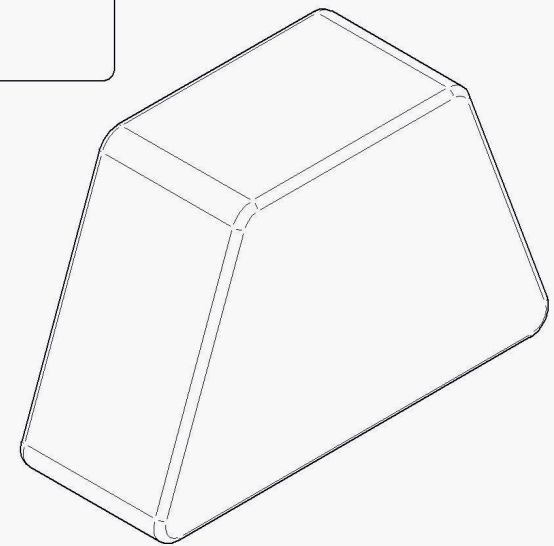




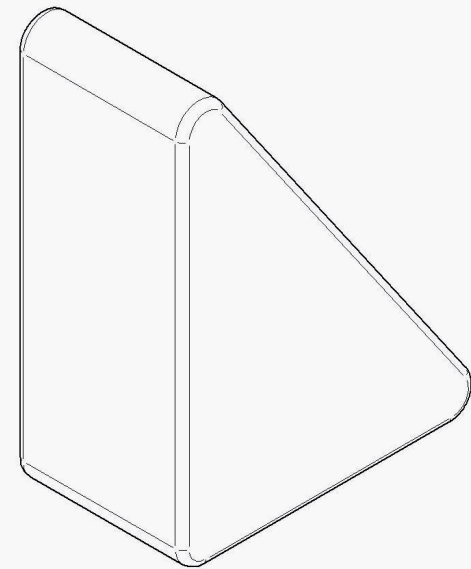
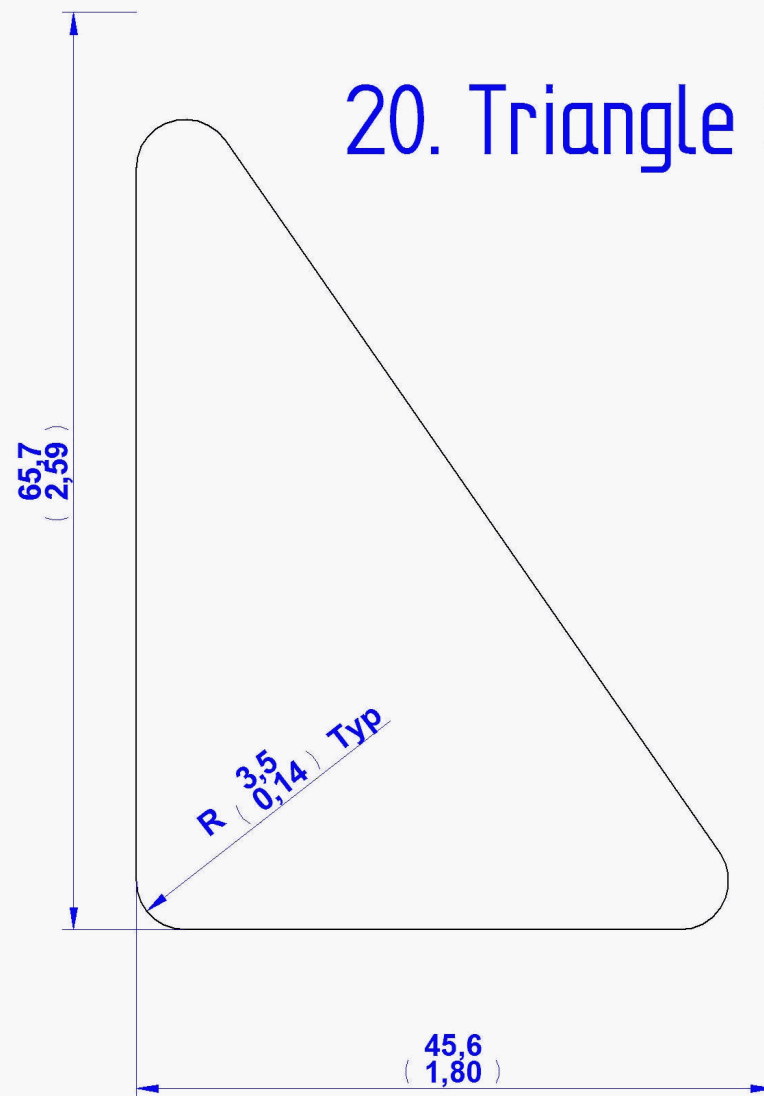
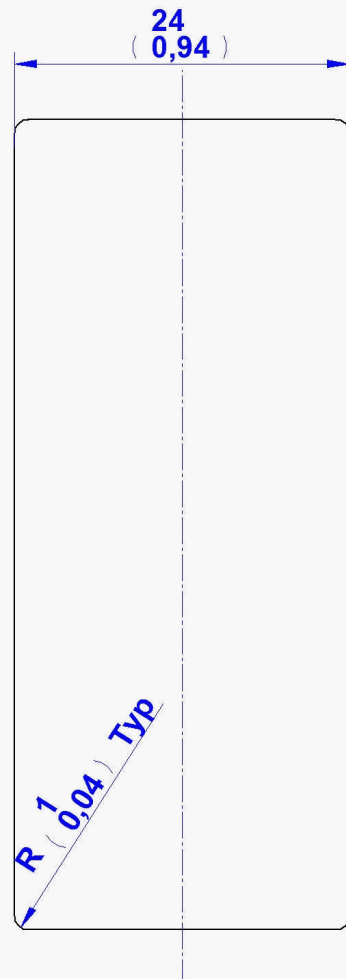


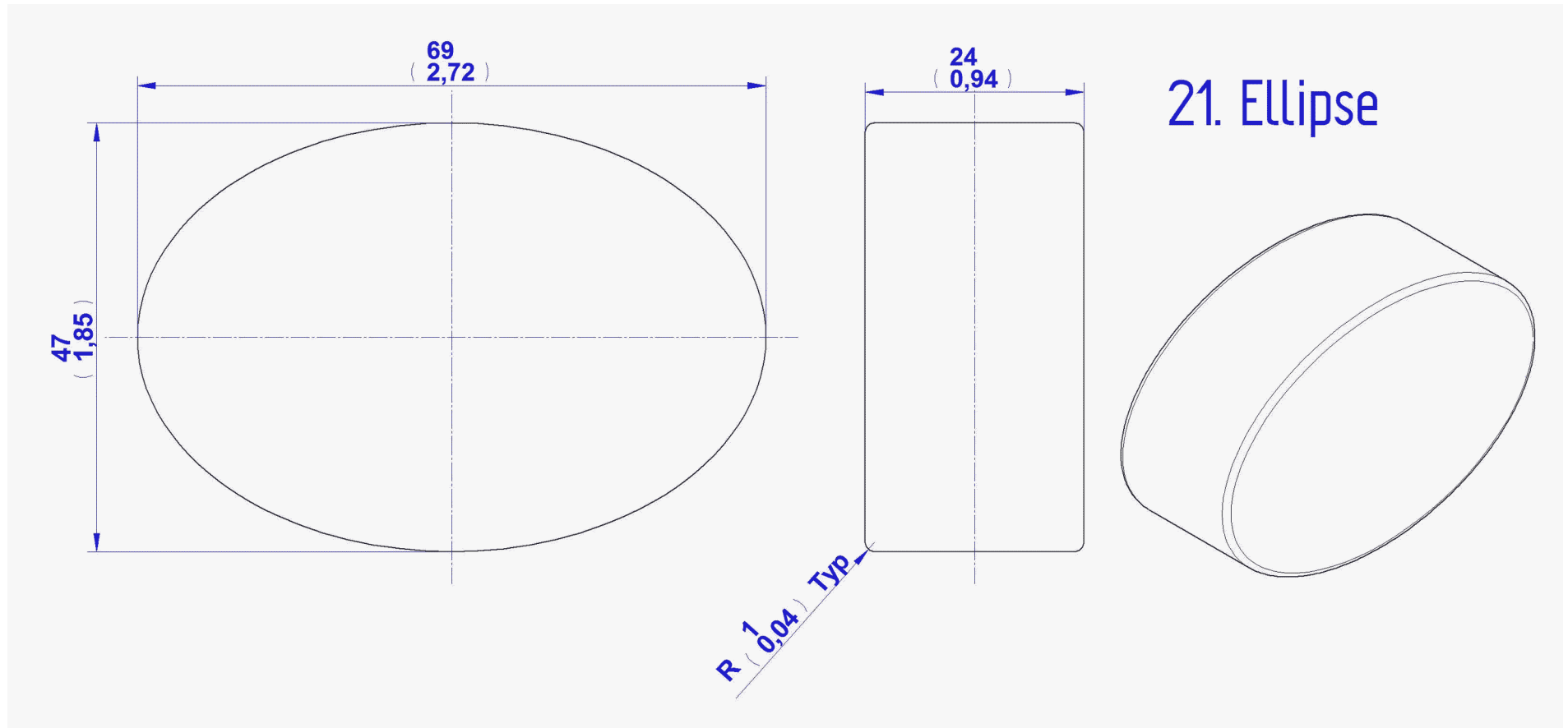


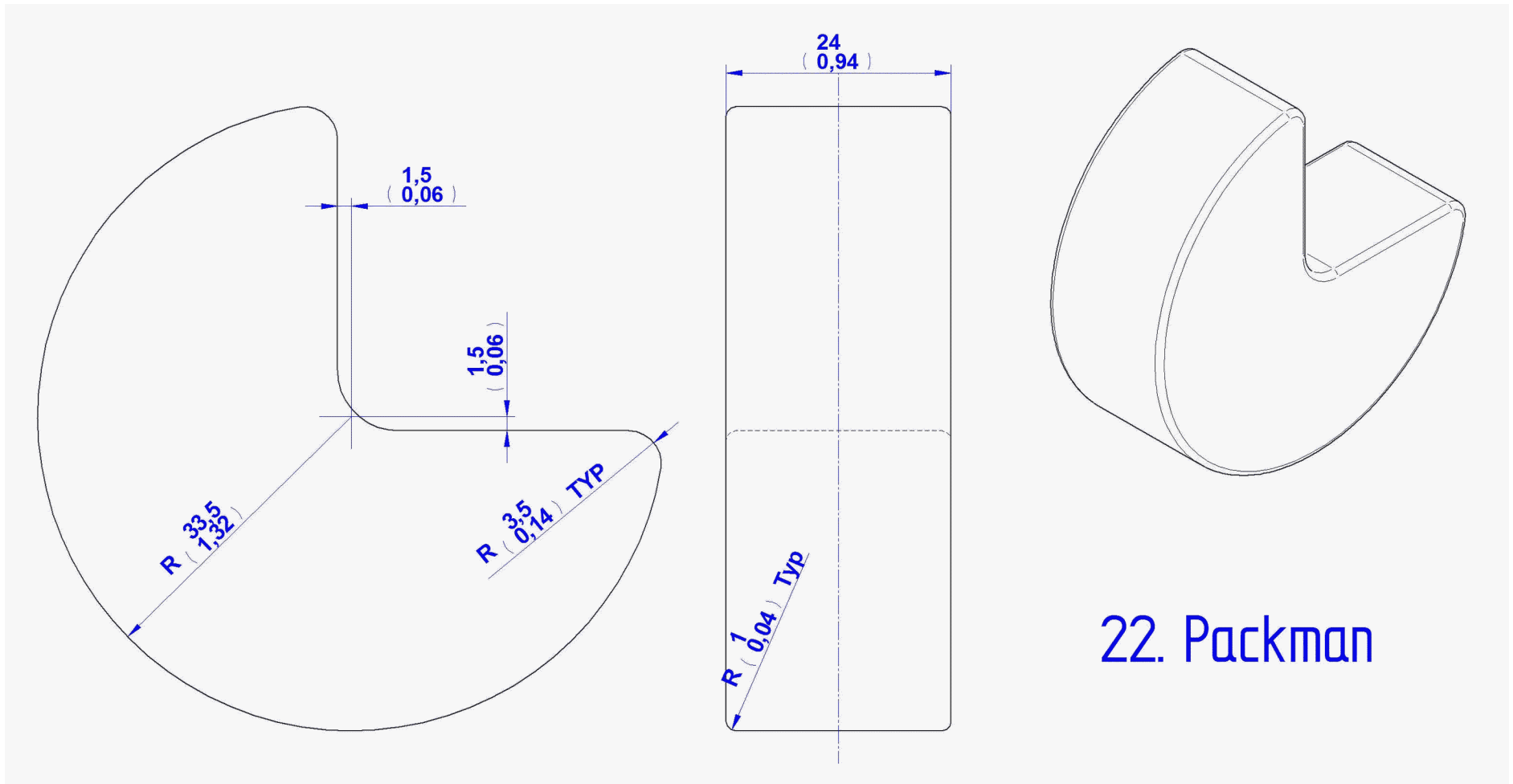
19. Trapezoid

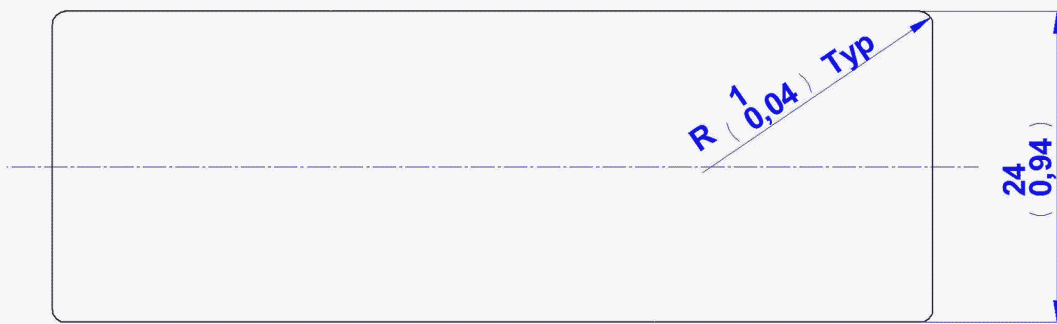
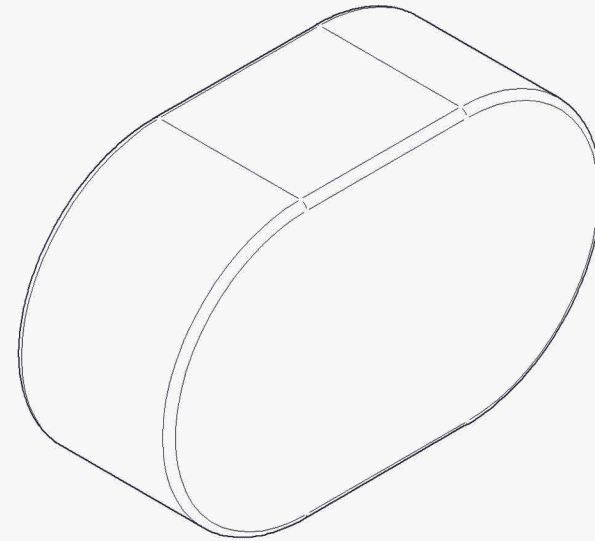
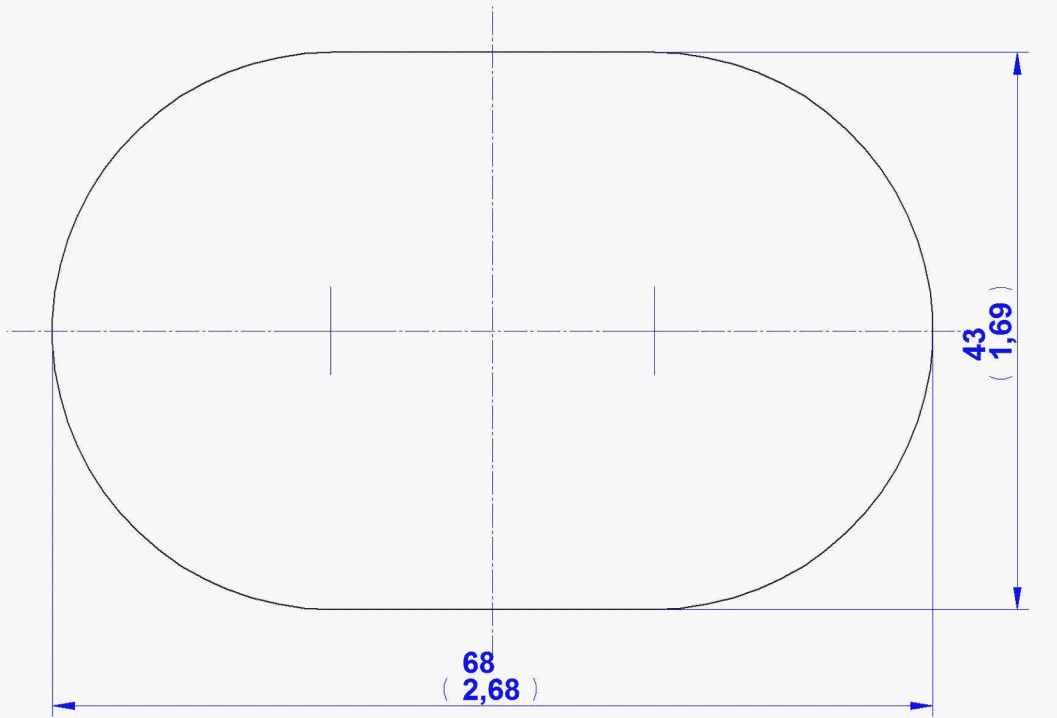


20. Triangle Square

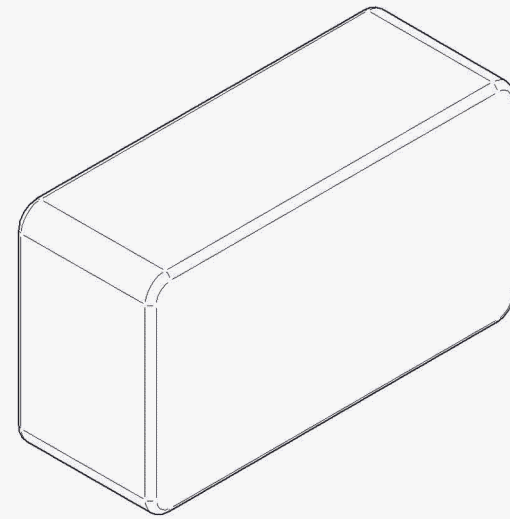
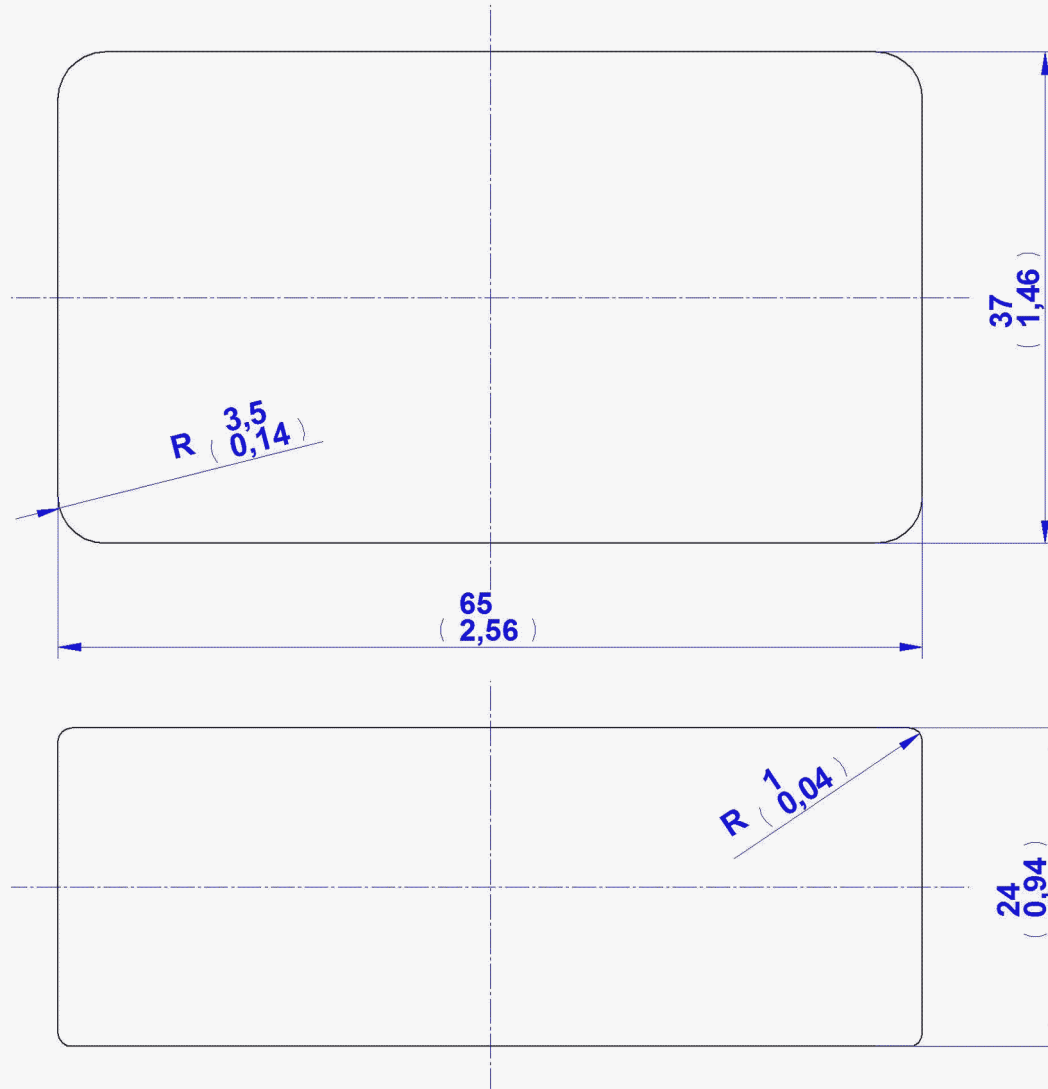




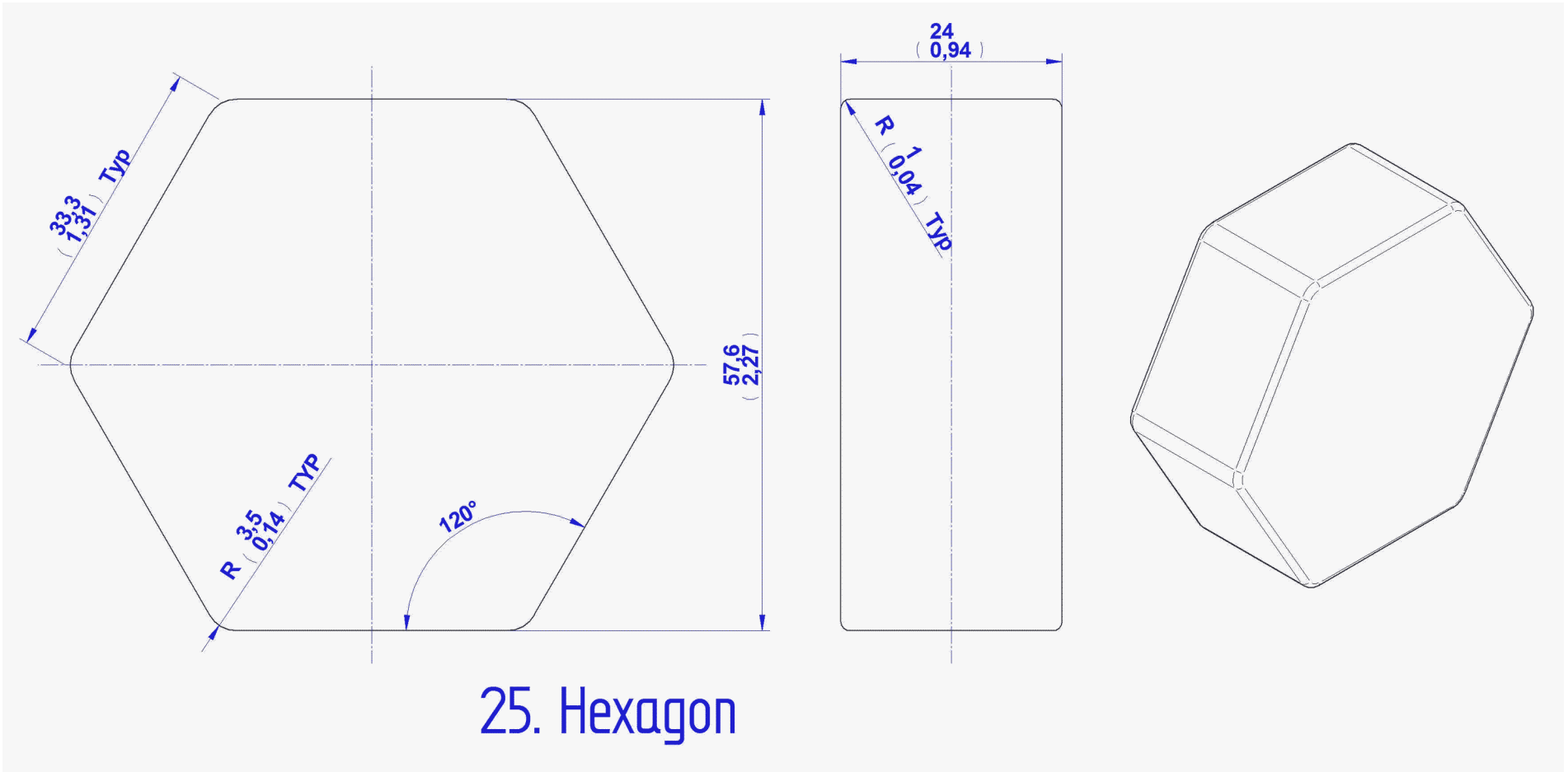


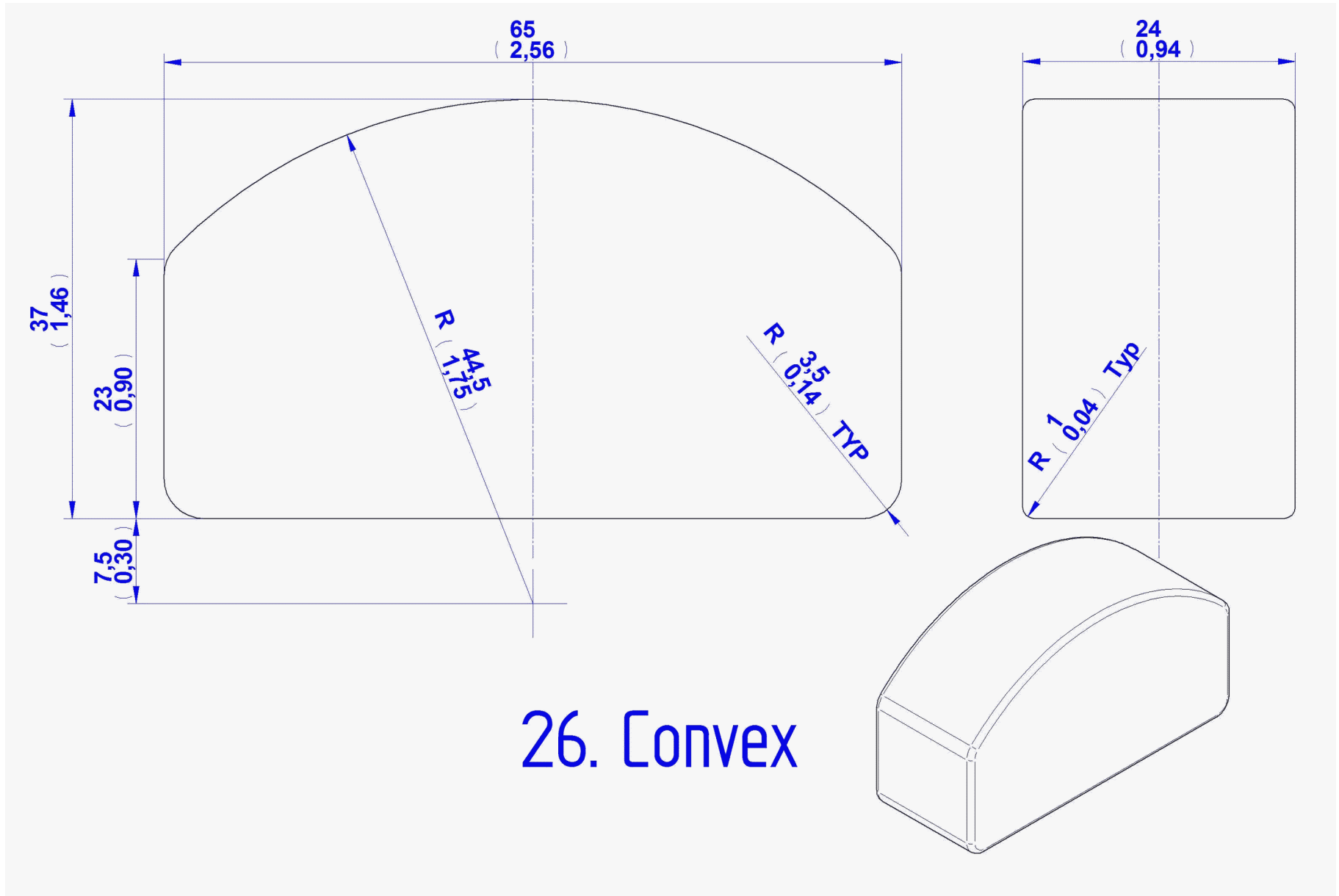


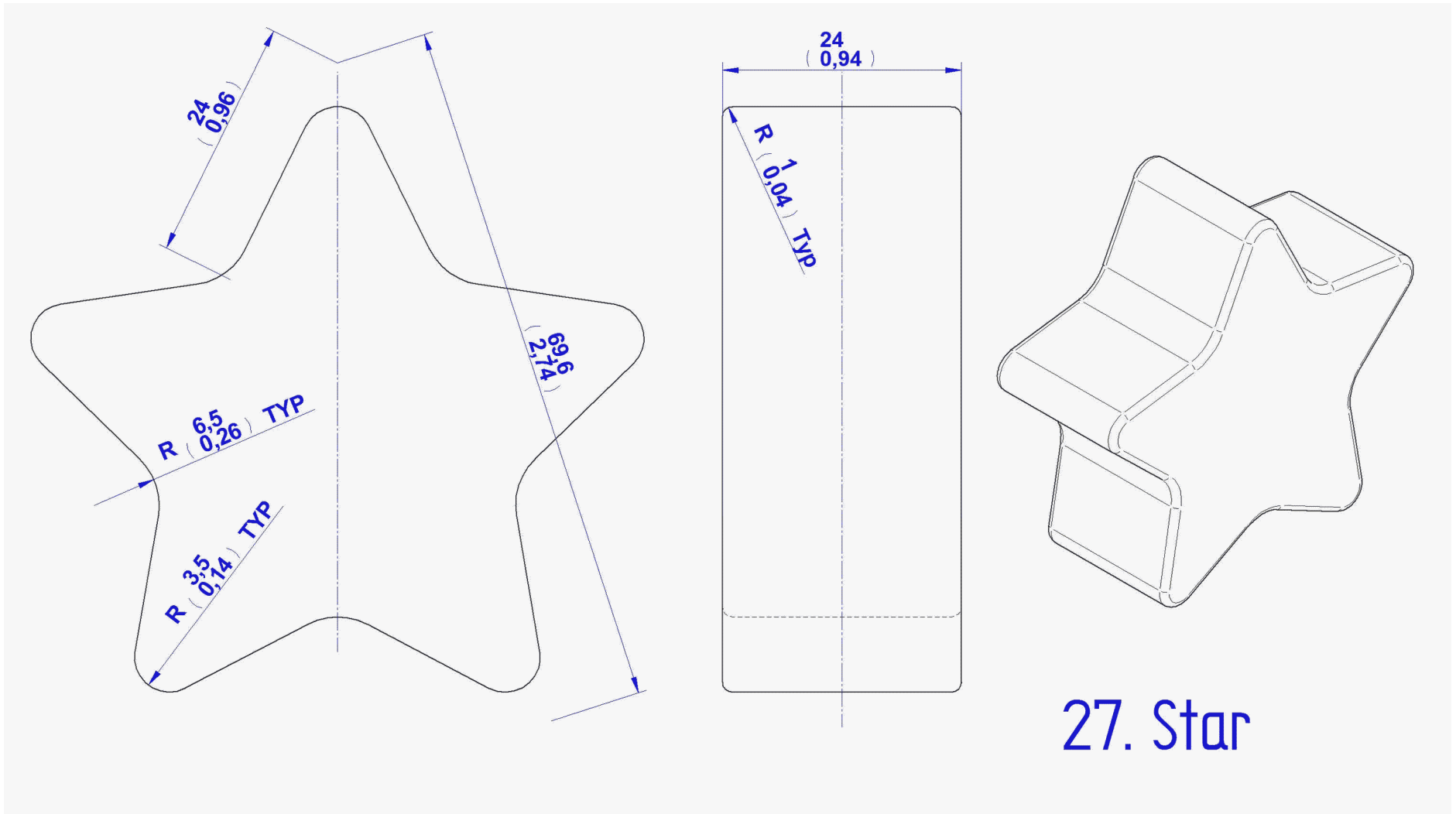
23. Rounded Rectangle



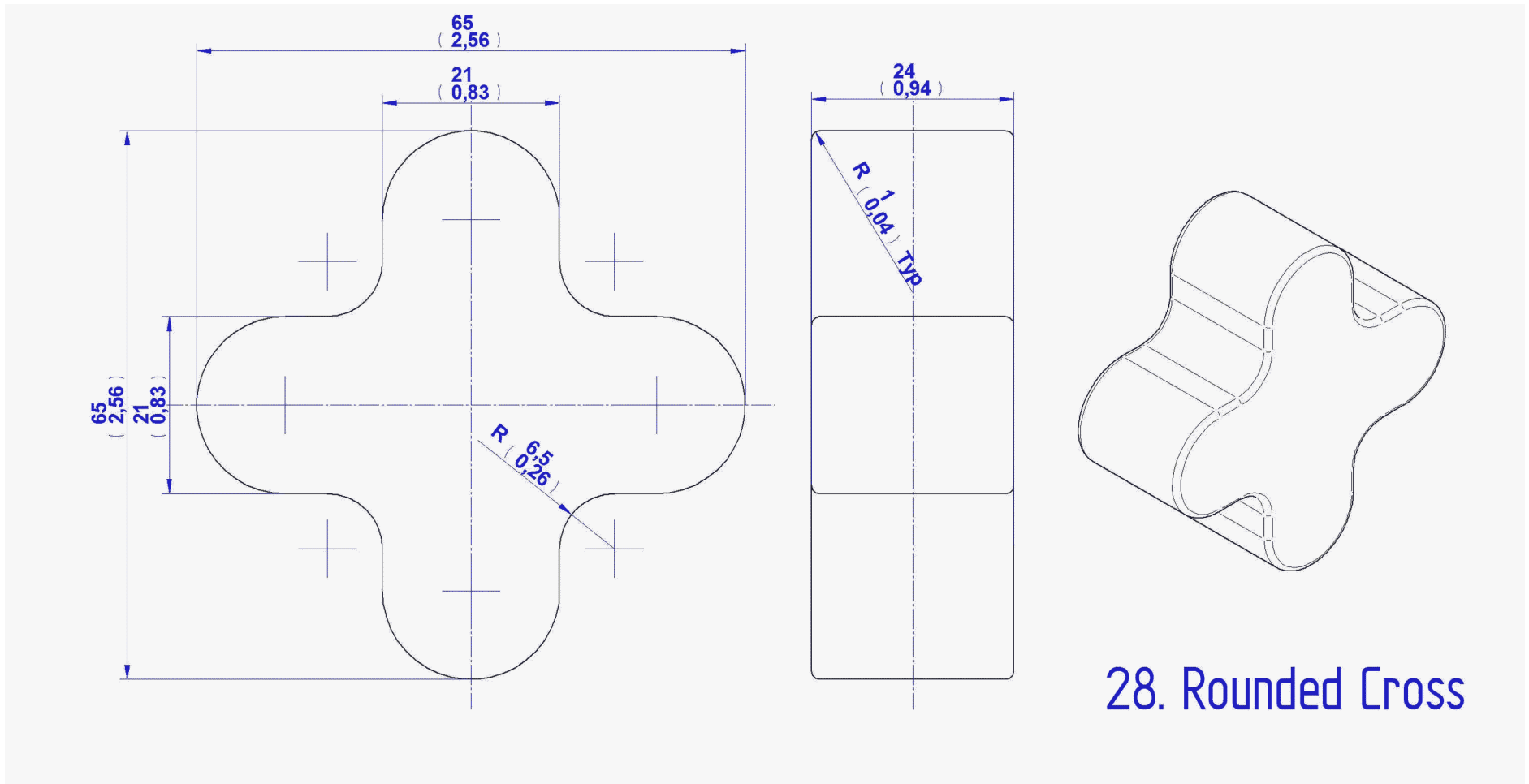
24. Rectangle

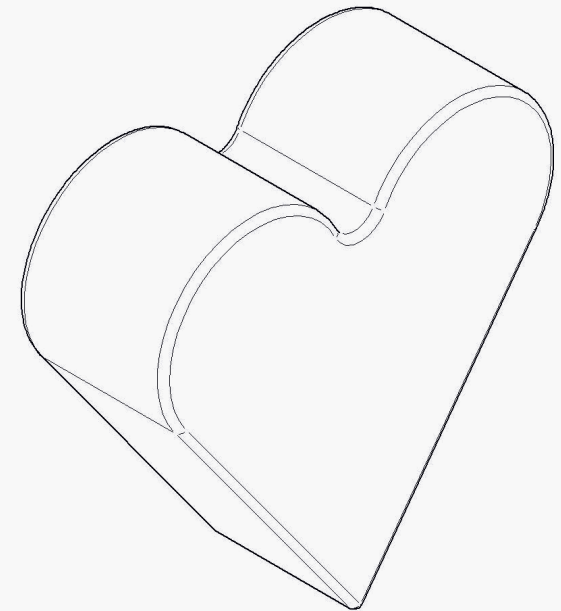
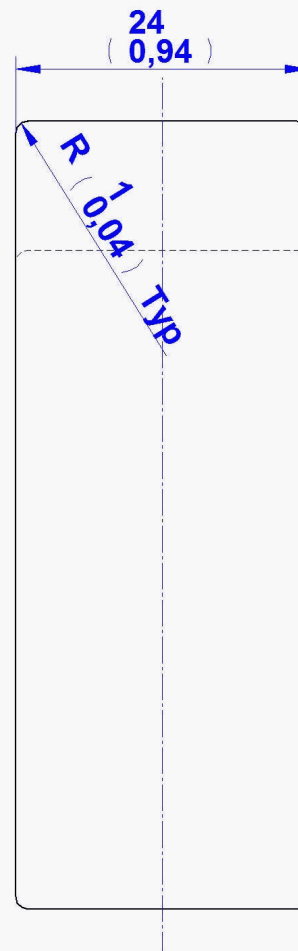
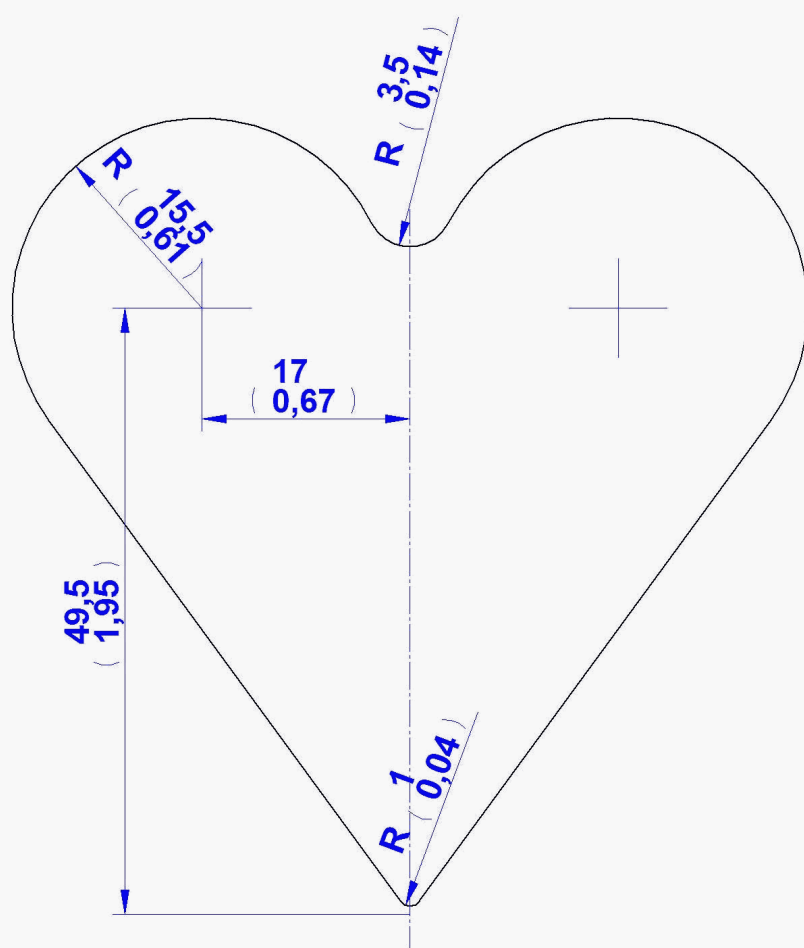






27. Star





29. Heart