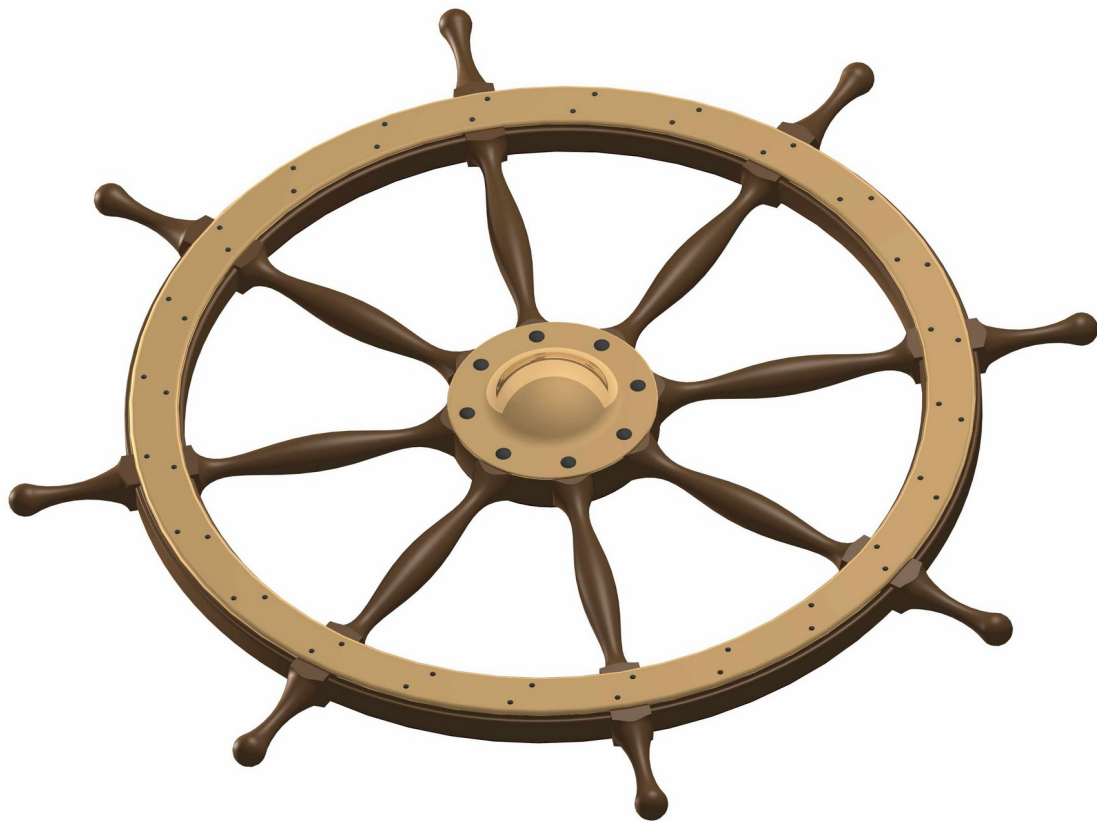


## SHIP WHEEL

This webpage contains the 2D drawings and instructions for making a wooden ship wheel, which is a beautiful decoration for any wall. The ship wheel is a very beautiful wooden device, on the one hand it has practical value on ships and on the other hand it can be a beautiful element decorating the wall in a room, a bar, a restaurant ... This is especially true for ship wheels that used to be made earlier. If you do not have the option to get an old ship wheel, you can make a similar one according to this plan.

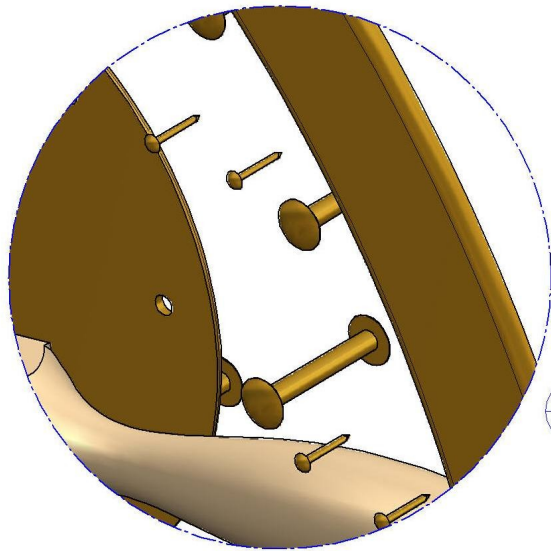


The ship wheel consists of wooden and metal parts. Since this is an ornamental object, use some wood with nice texture and non-ferrous metals or their alloys (copper, brass, bronze...). The design of this project is simple, and the project itself aims to show what a ship wheel construction looks like. Based on the information from this plan, you can very easily redesign the already given construction, or find a picture of an old ship wheel on the Internet that you like and then try to make it based on the construction shown in our plan.

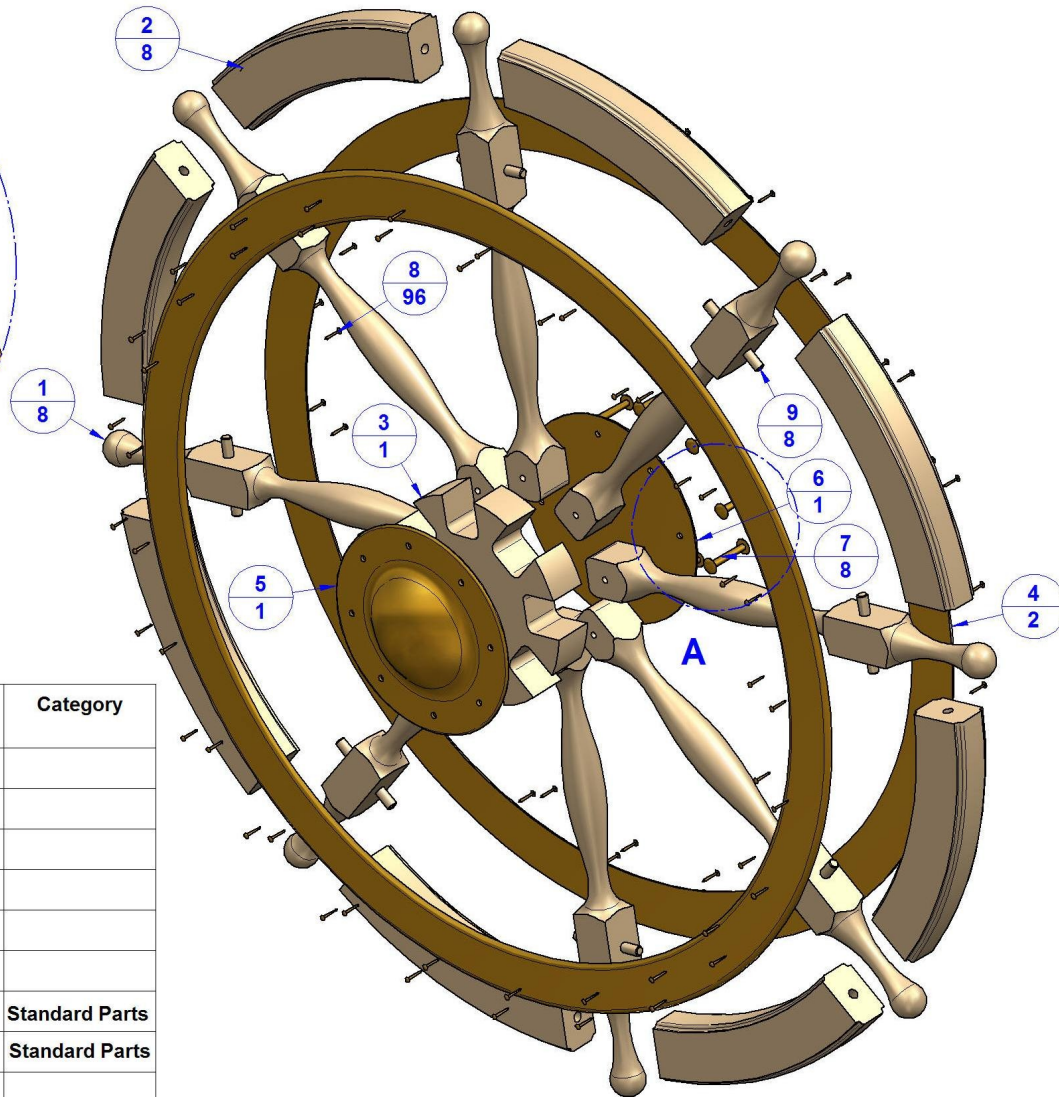
The diameter of the ship wheel finished according to this plan is 1110mm (43.7in); if you need to increase/decrease it, carefully examine the drawings to make it easier for you to adjust the dimensions of the parts to your chosen ship wheel diameter.

If you make a ship wheel according to our plan, it will be nice of you to find the time and send us the pictures so that we can share them with all the visitors of our website!

# PARTS LIST

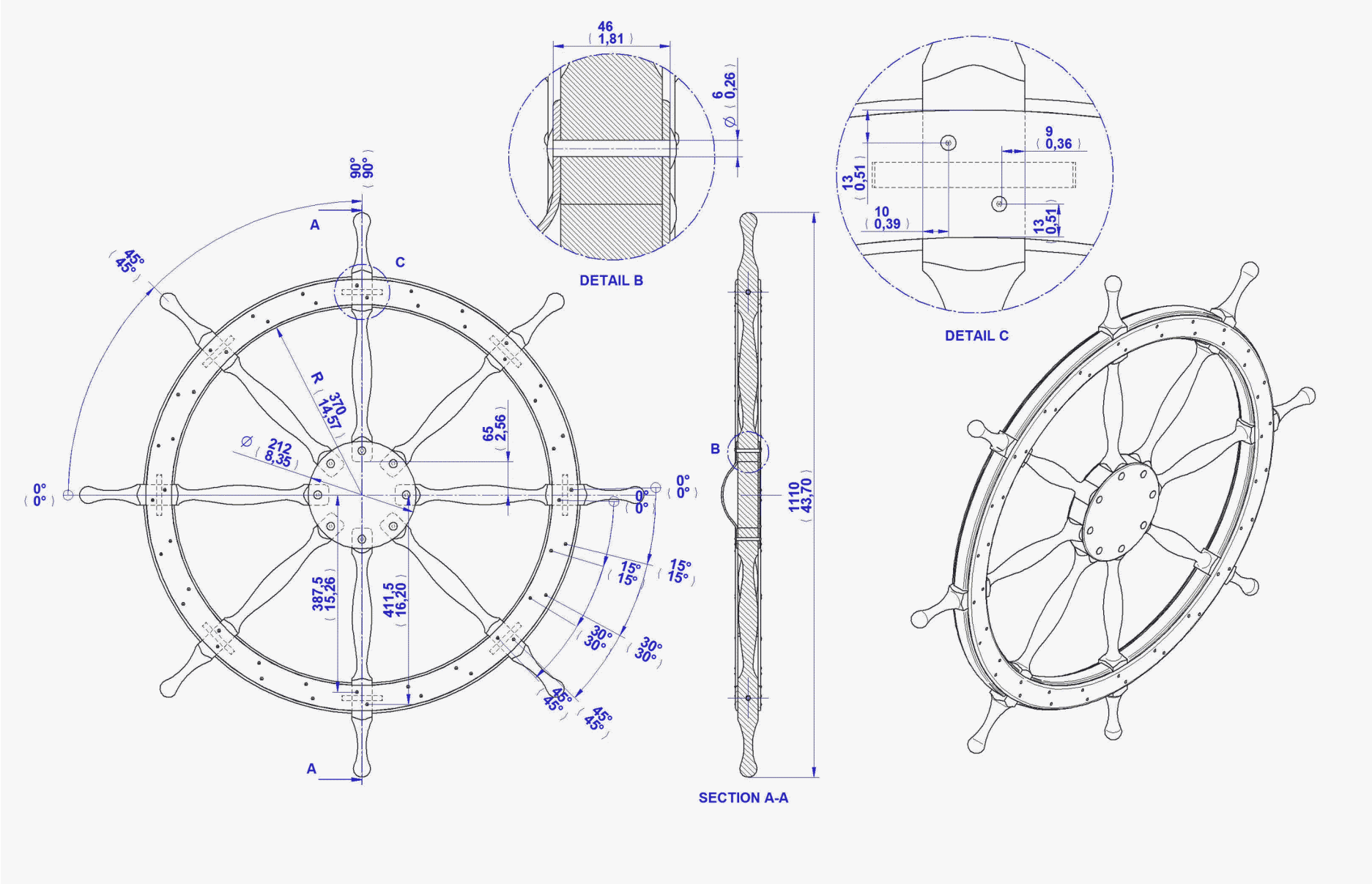


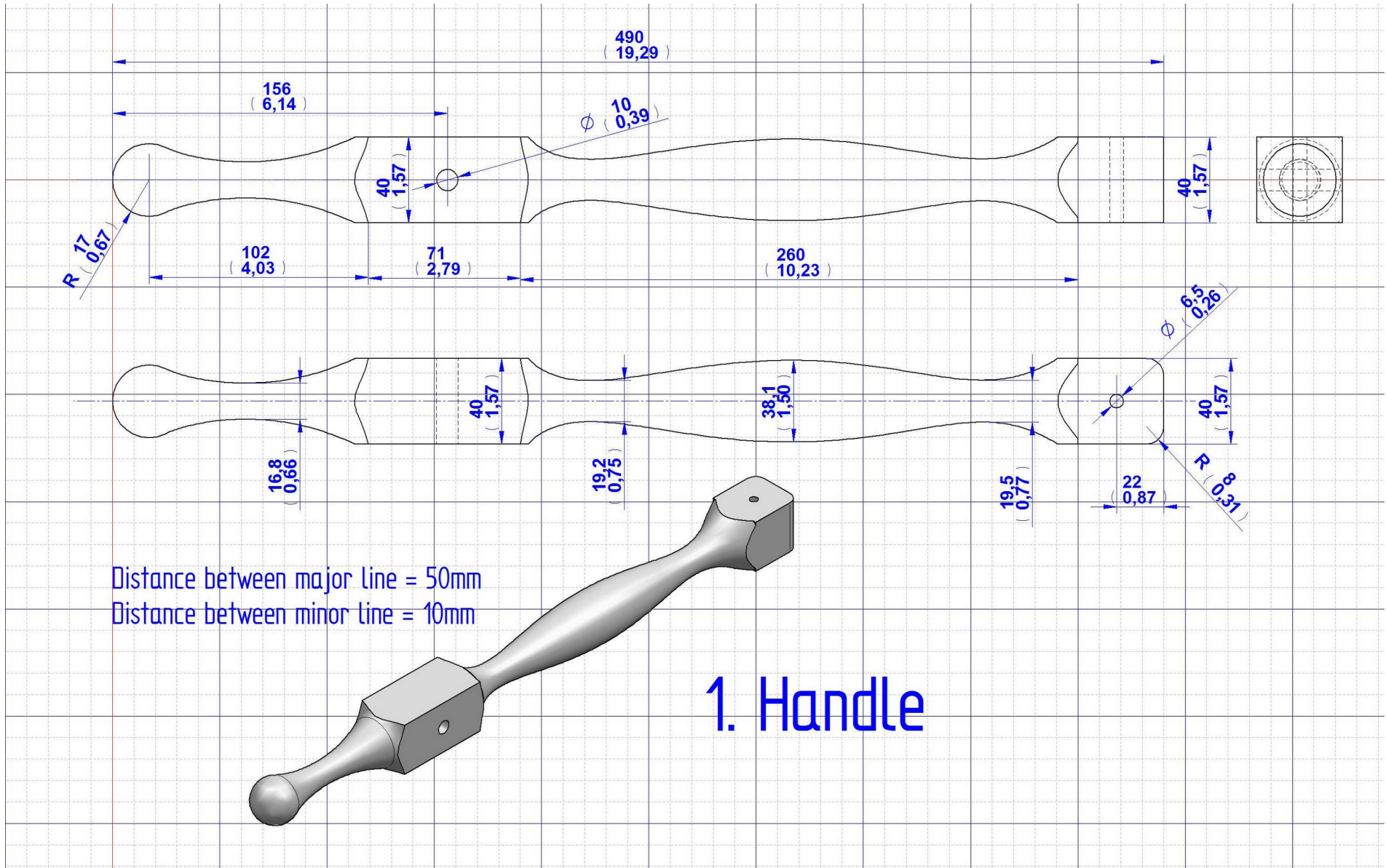
**DETAIL A**

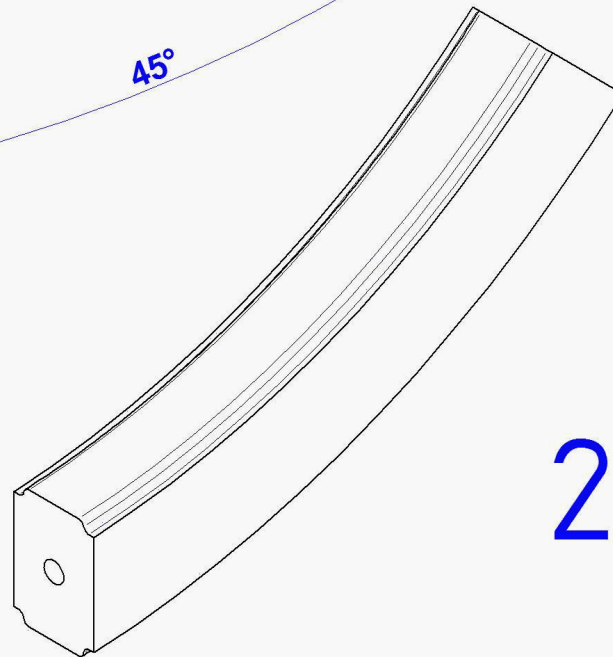
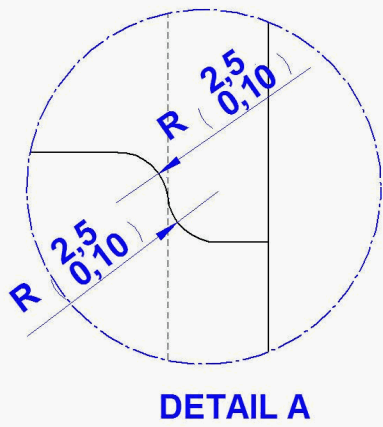
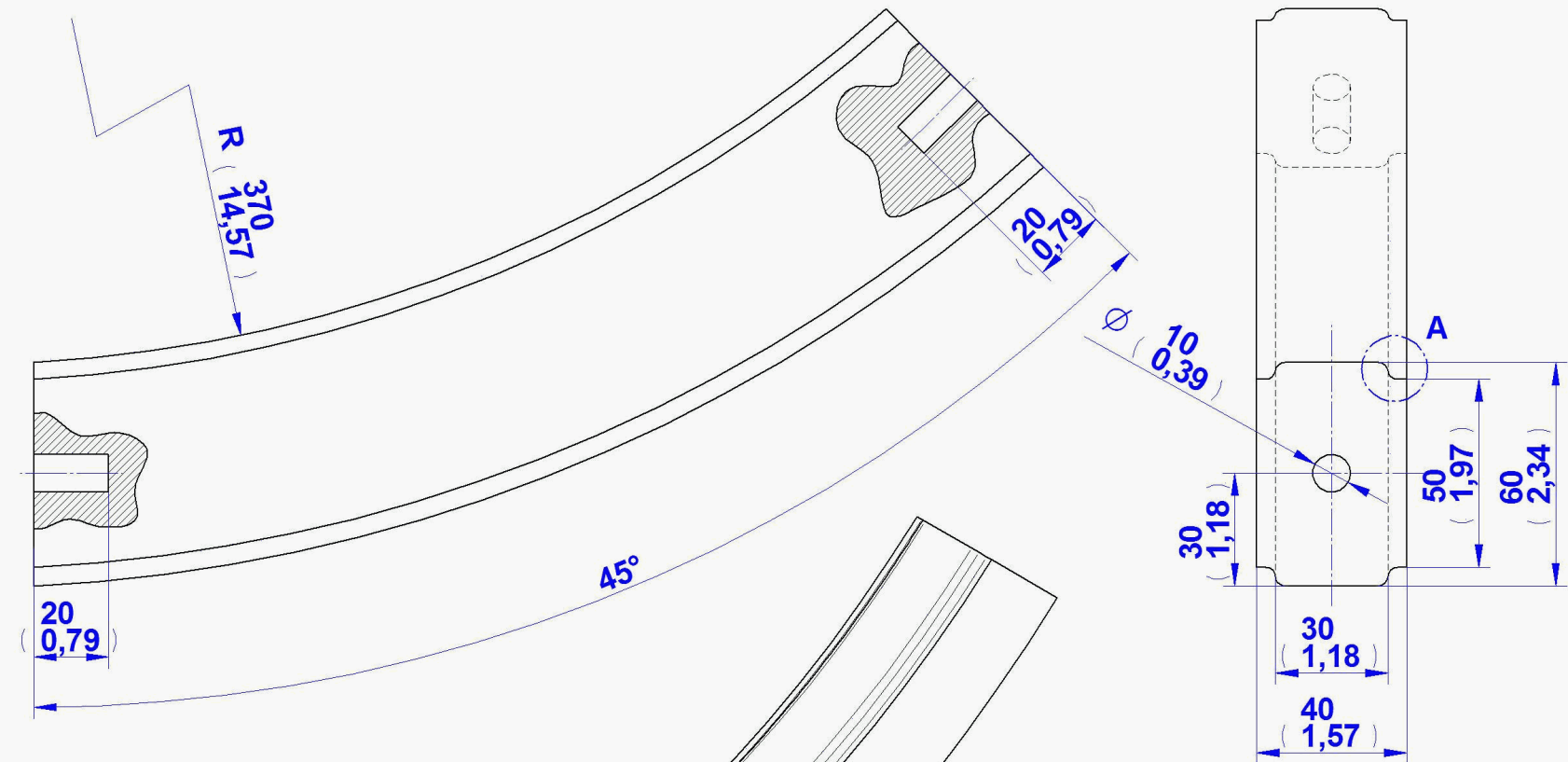


Item Number	Title	Material	Quantity	Category
1	Handle	Wood	8	
2	Arc	Wood	8	
3	Holder	Wood	1	
4	Circle	Wood	2	
5	Front Cover	Wood	1	
6	Back Cover	Wood	1	
7	Rivet D6x46mm	Aluminum	8	Standard Parts
8*	Nail D2x20mm	Steel	96	Standard Parts
9*	Pin D10 x 80mm	Wood	8	

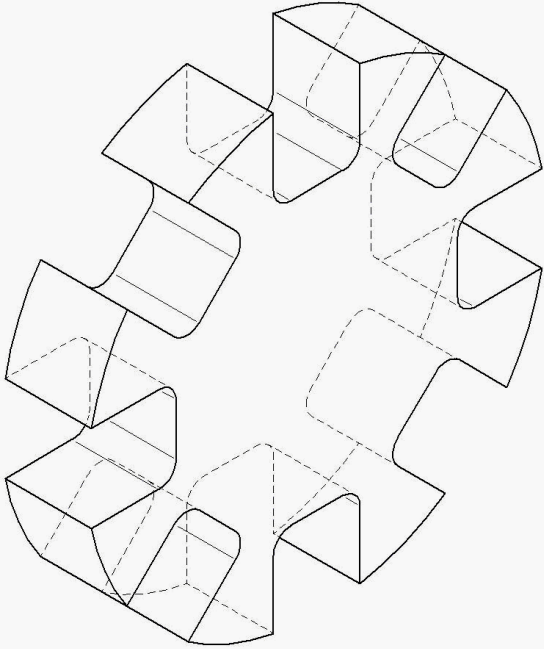
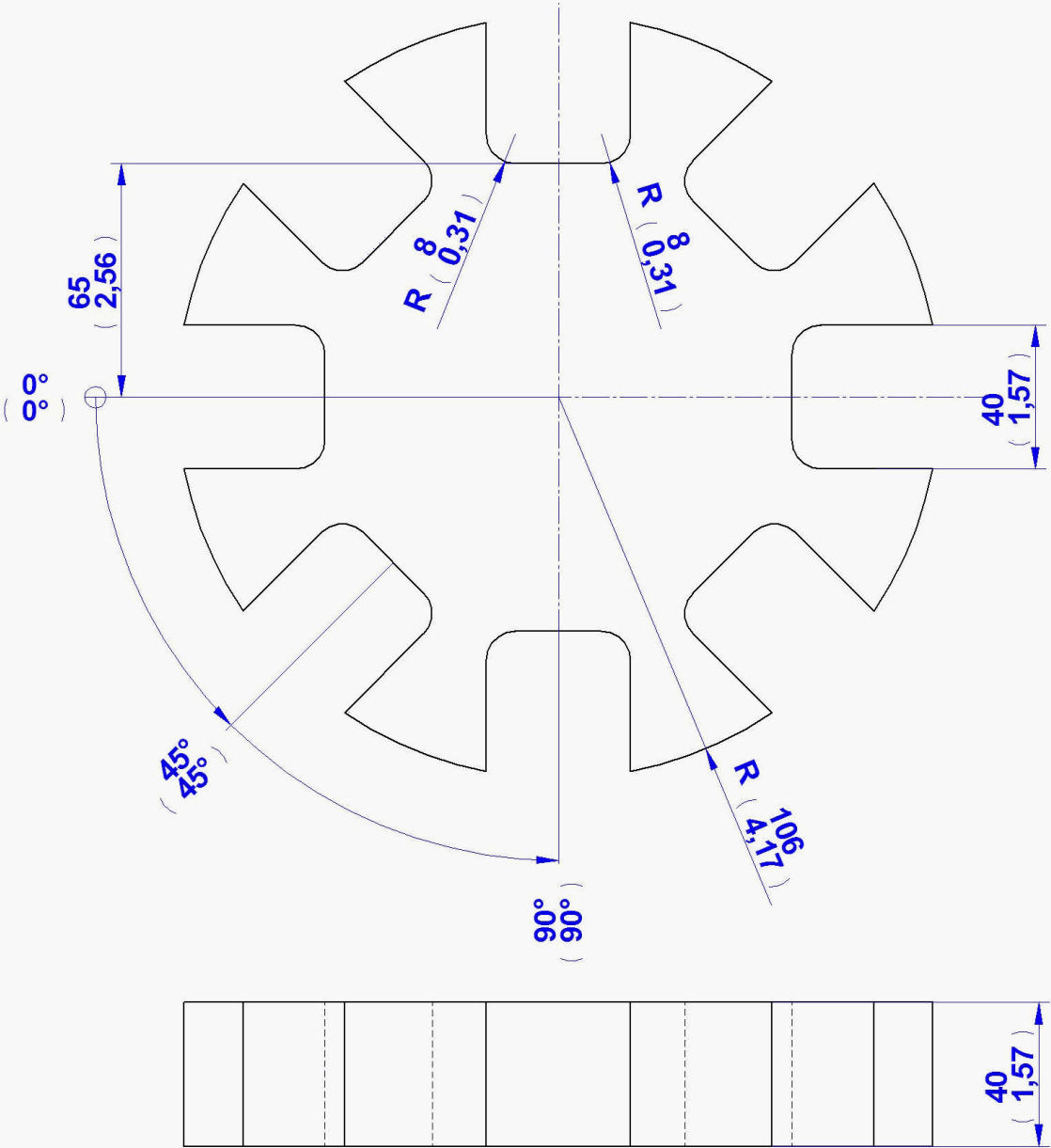
# 2D Documentation



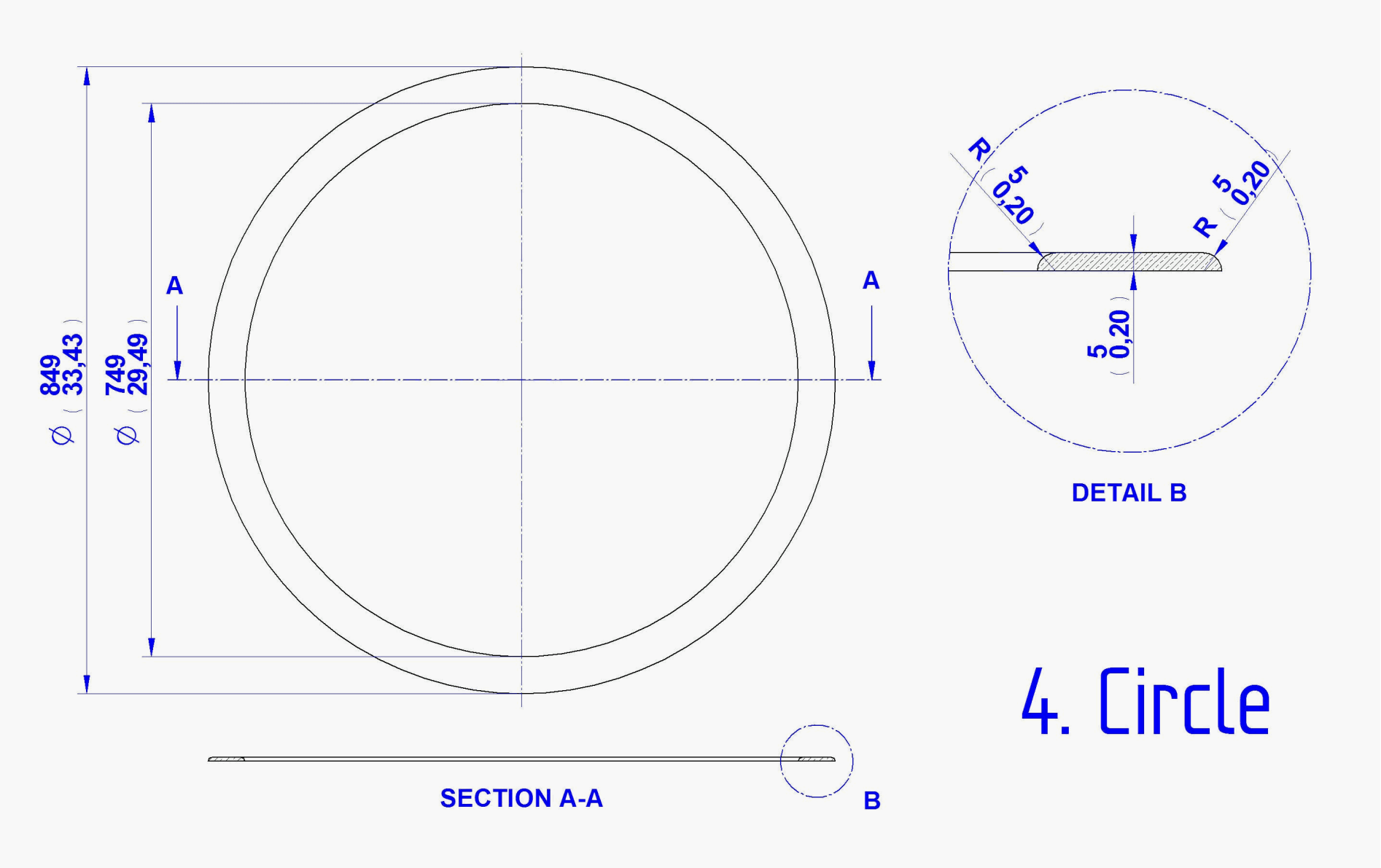


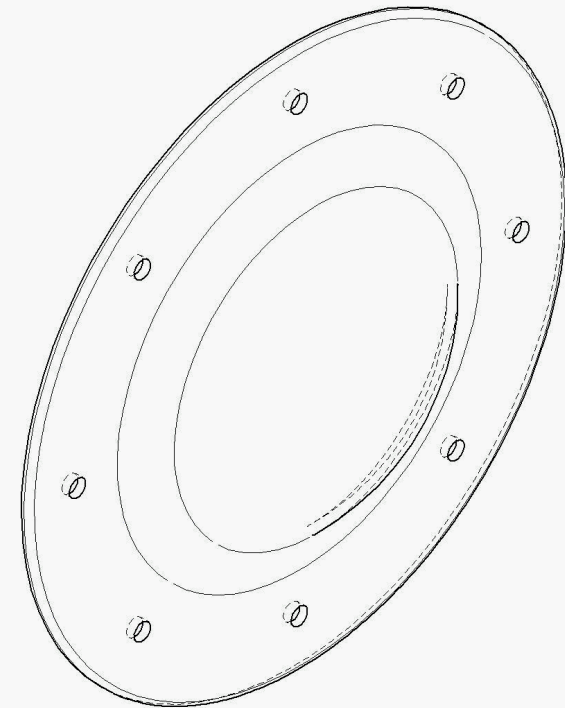
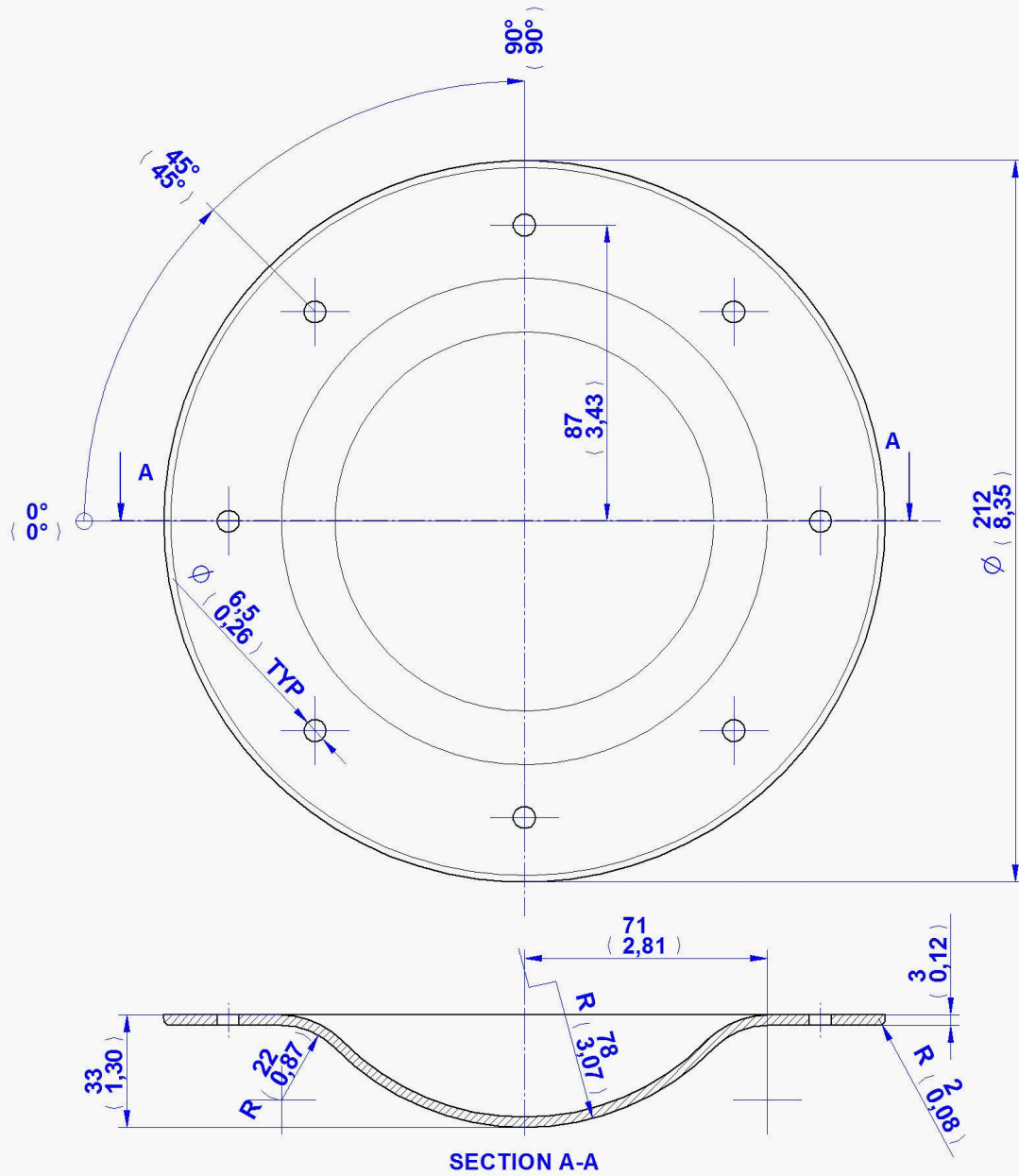


2. Arc



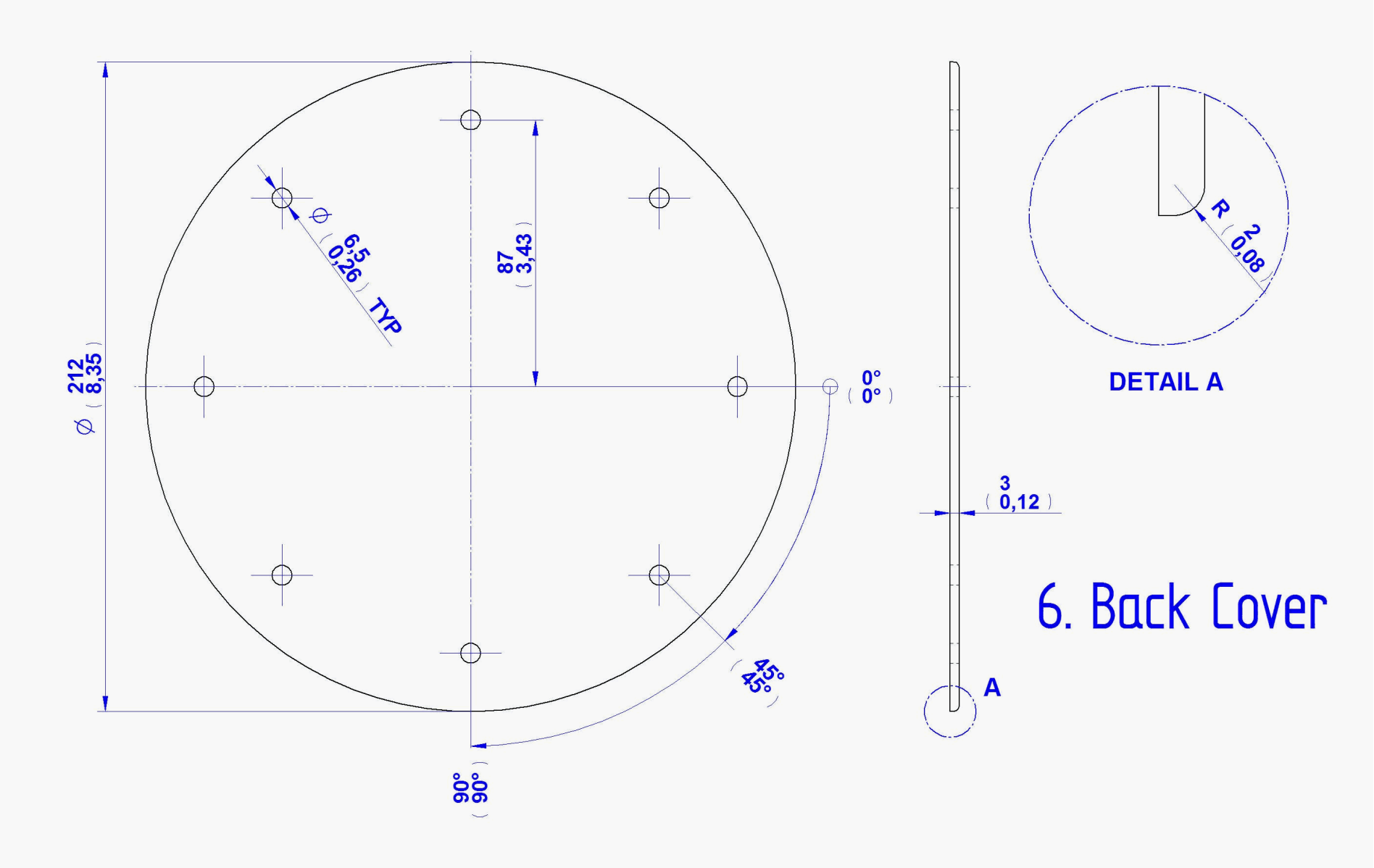
# 3. Holder



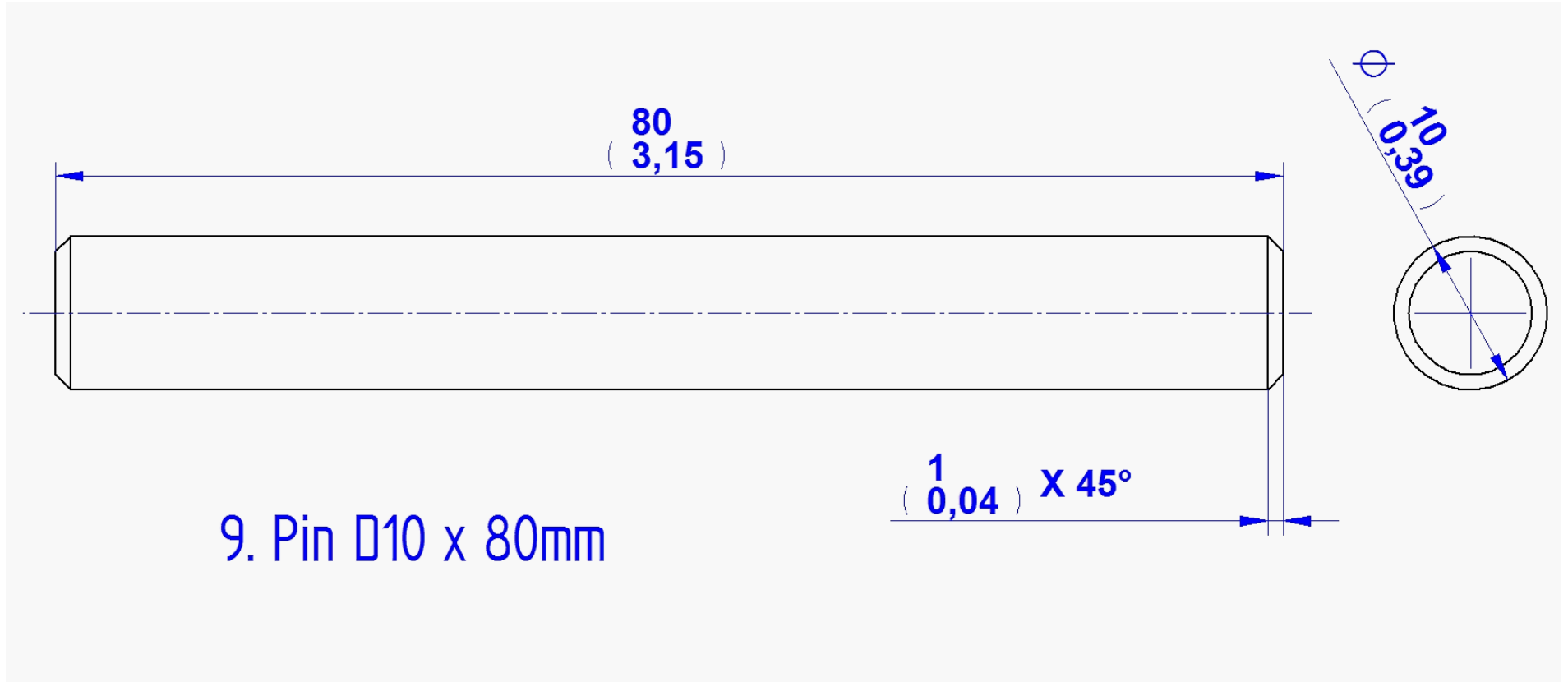


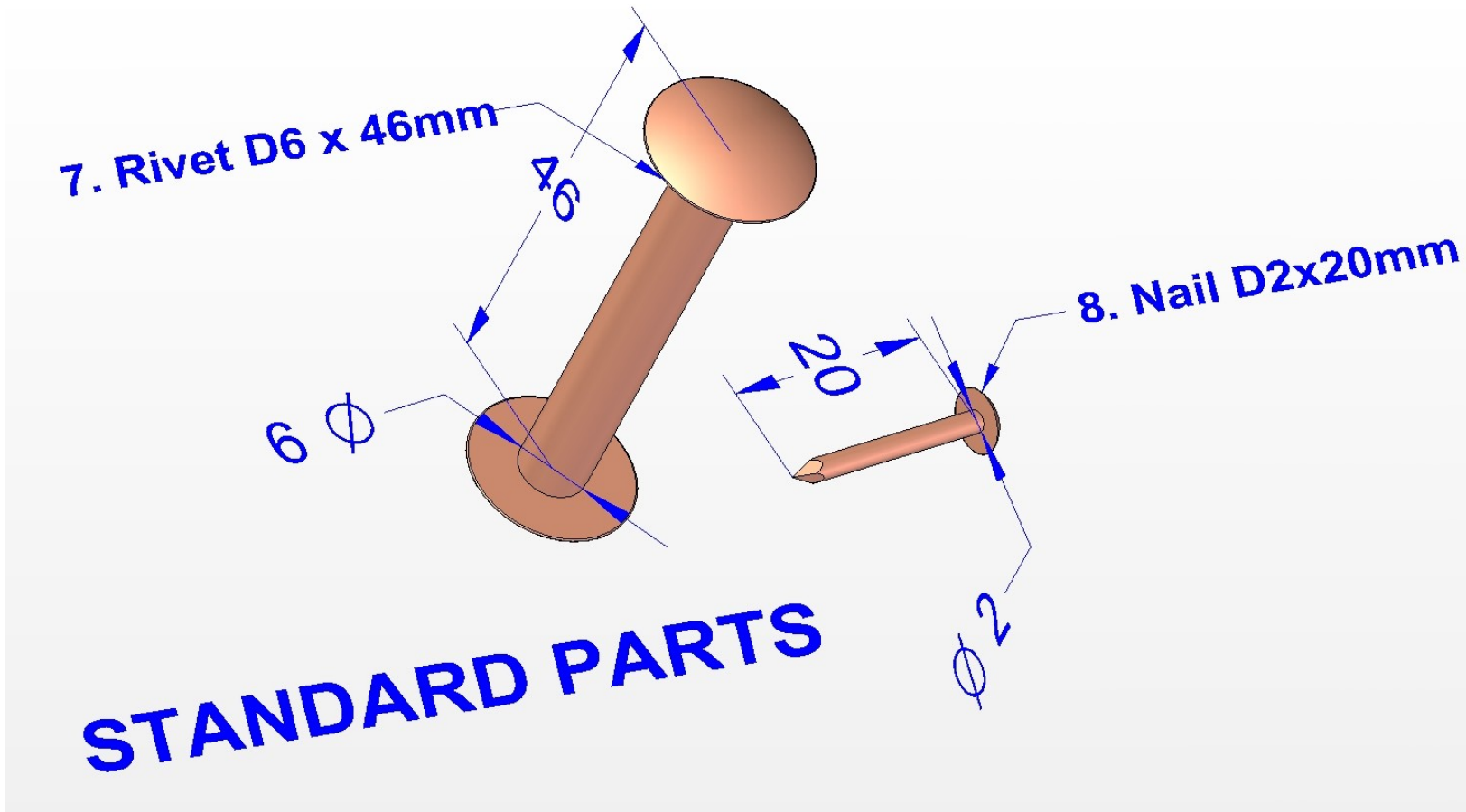
5. Front Cover





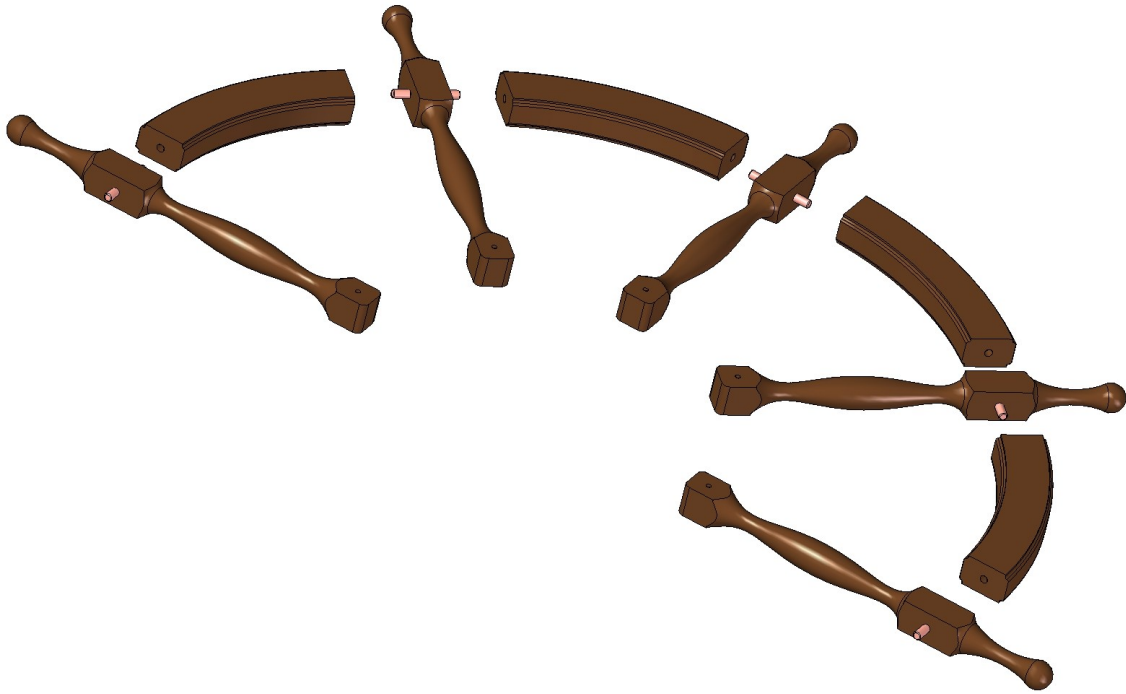
# 6. Back Cover





## Assemblage images

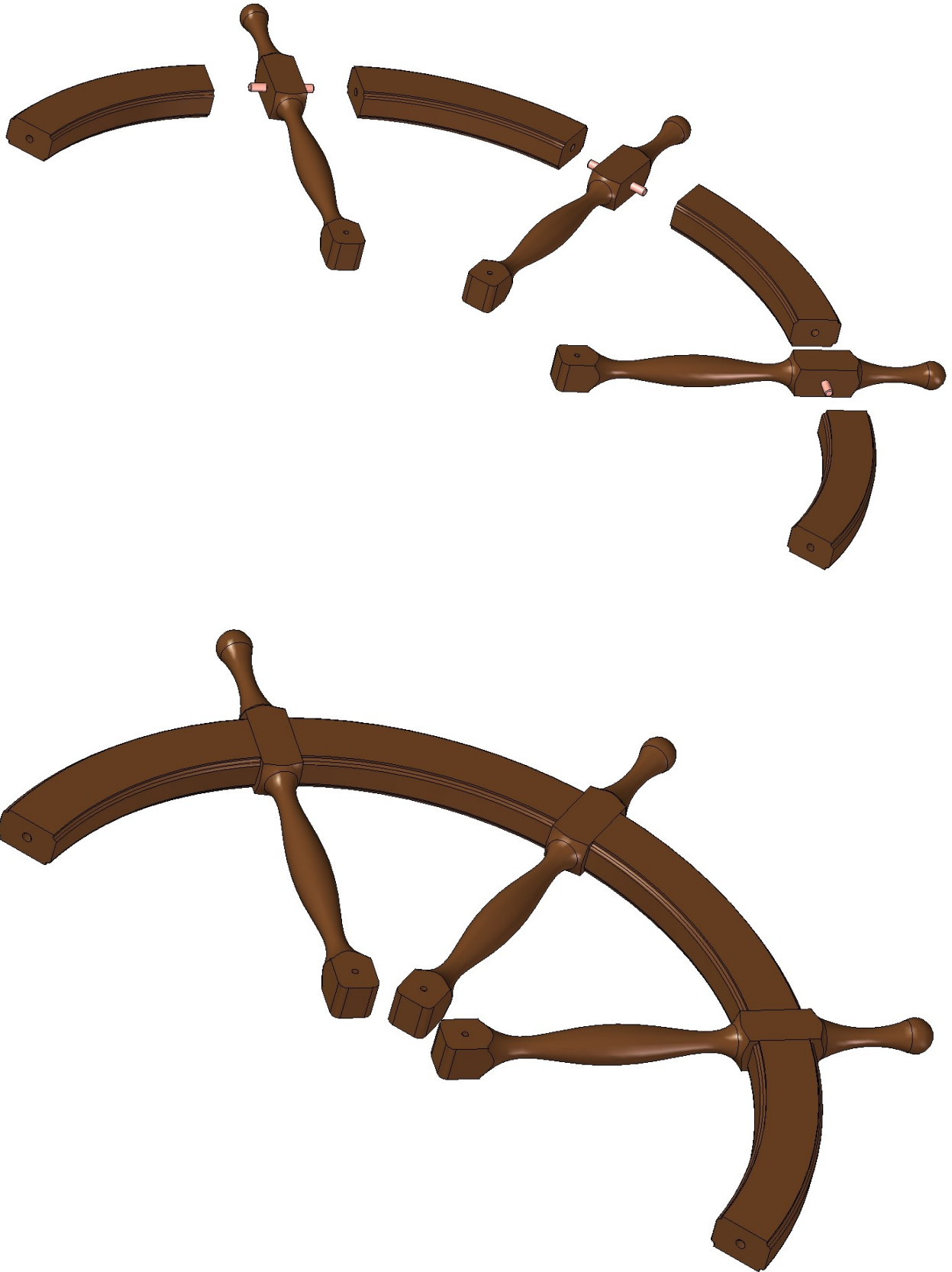
1.



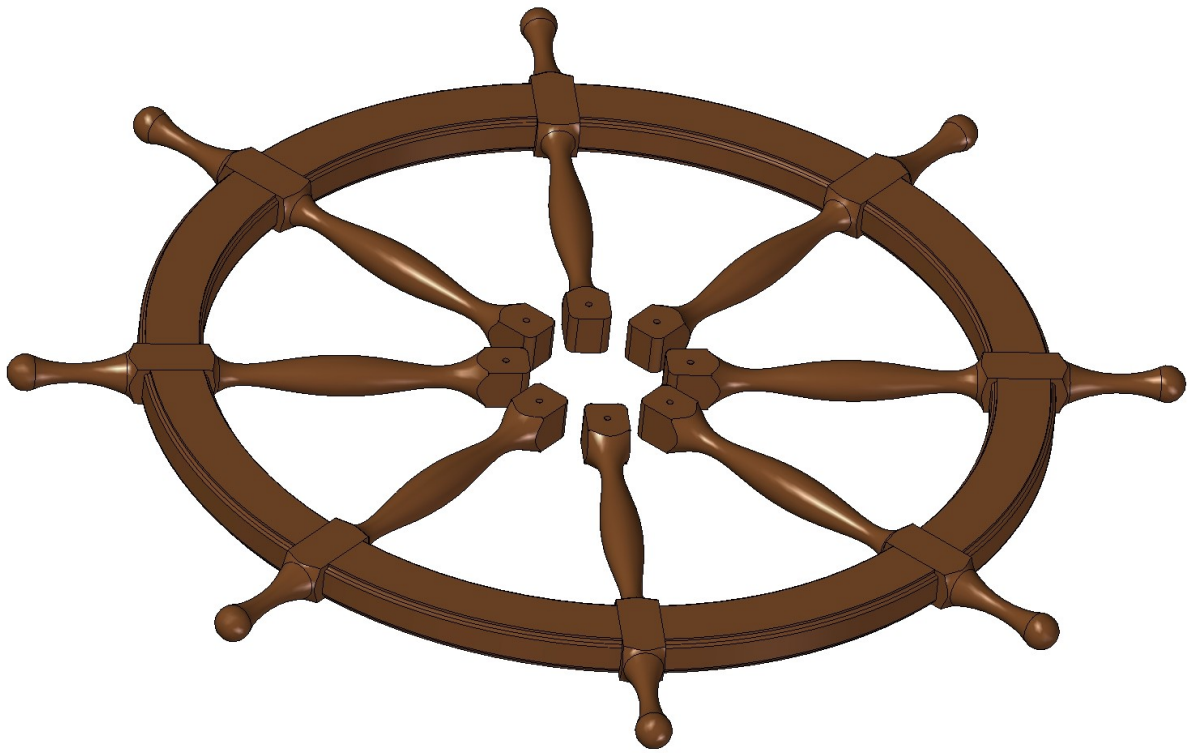
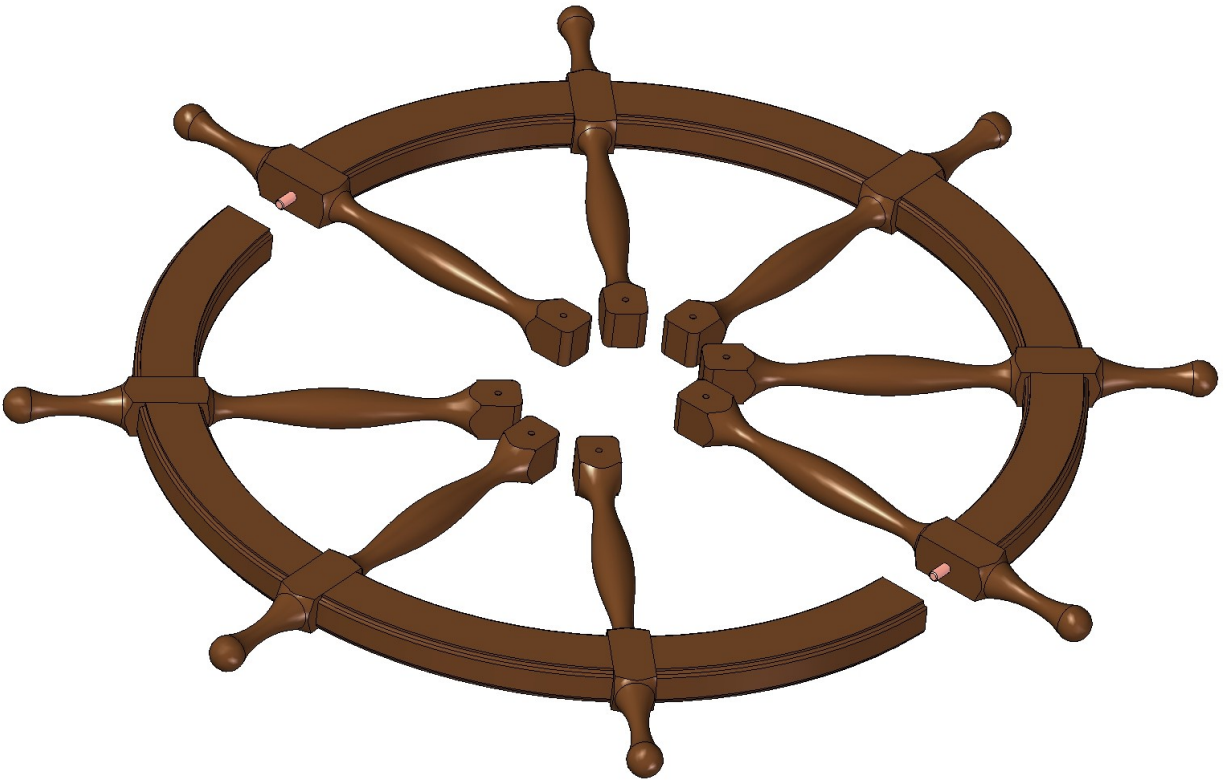
x



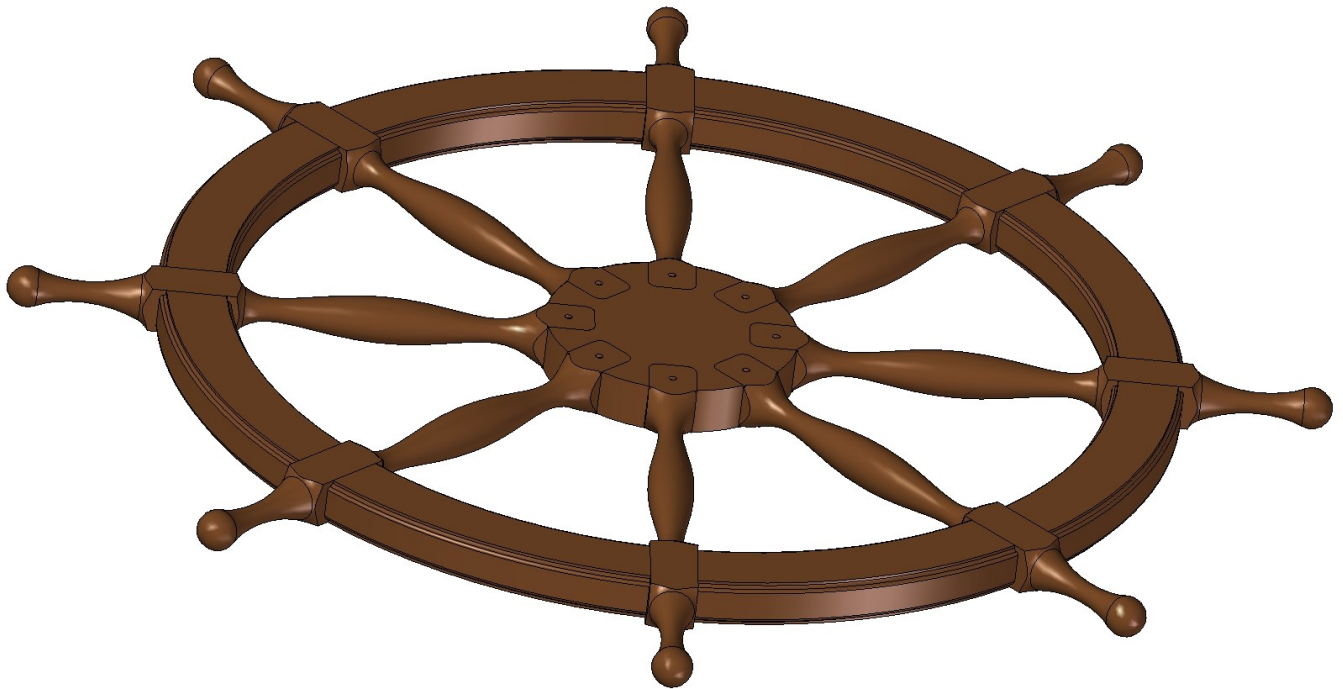
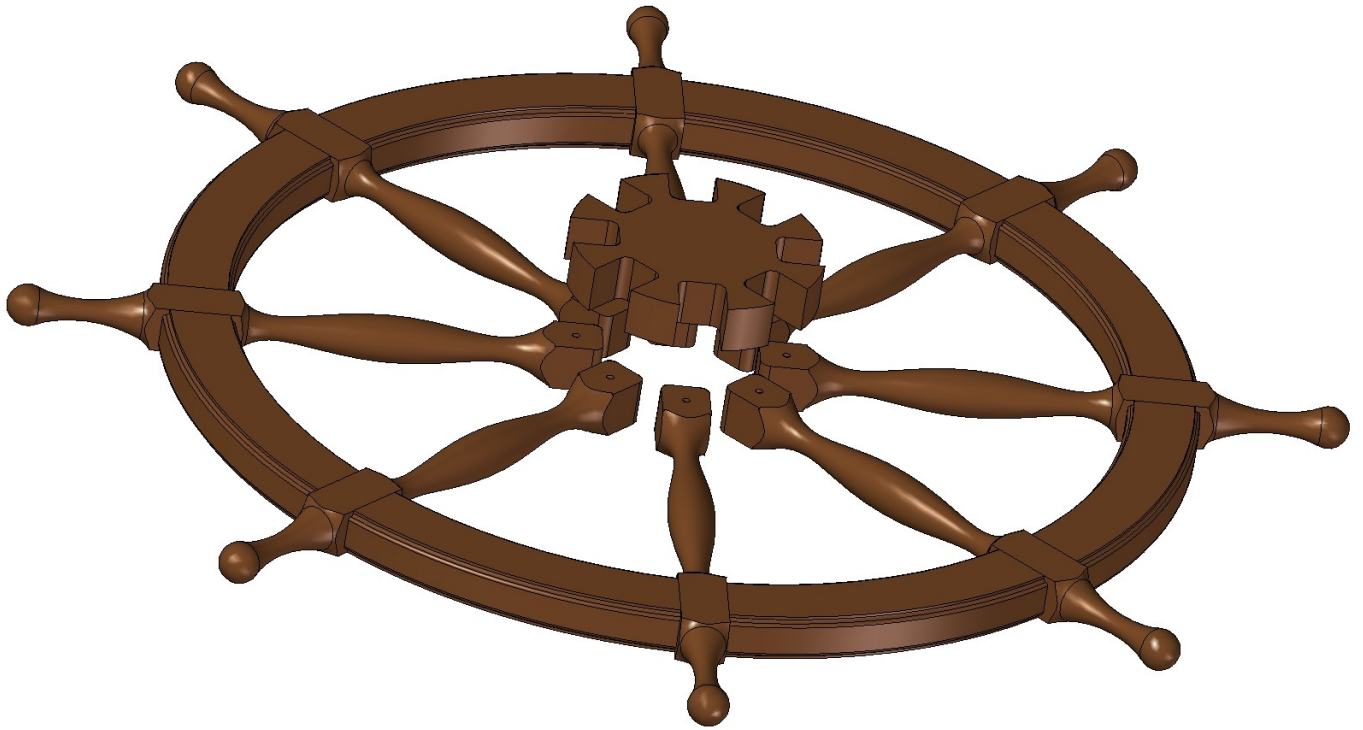
2.



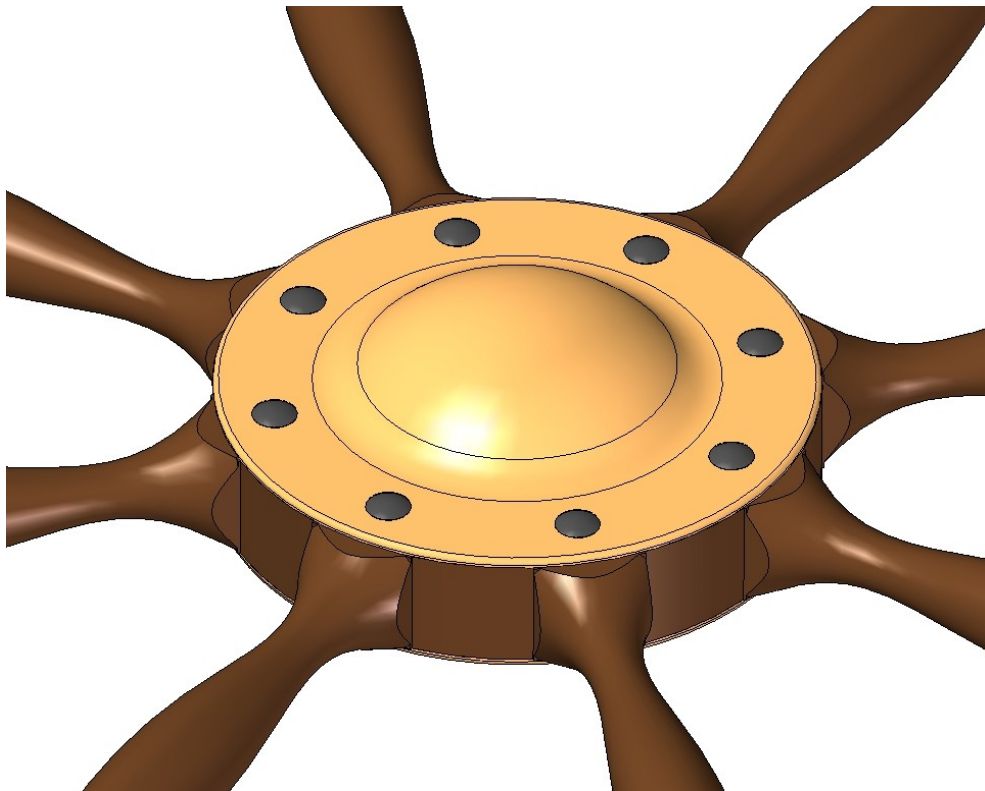
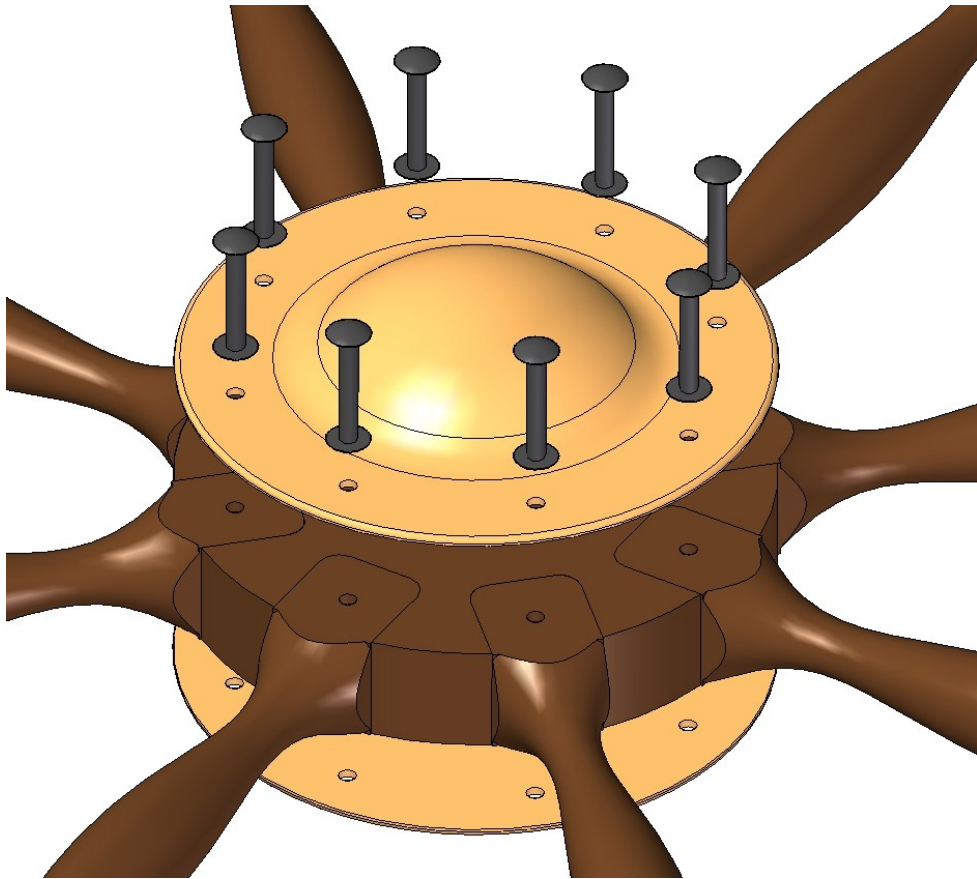
3.



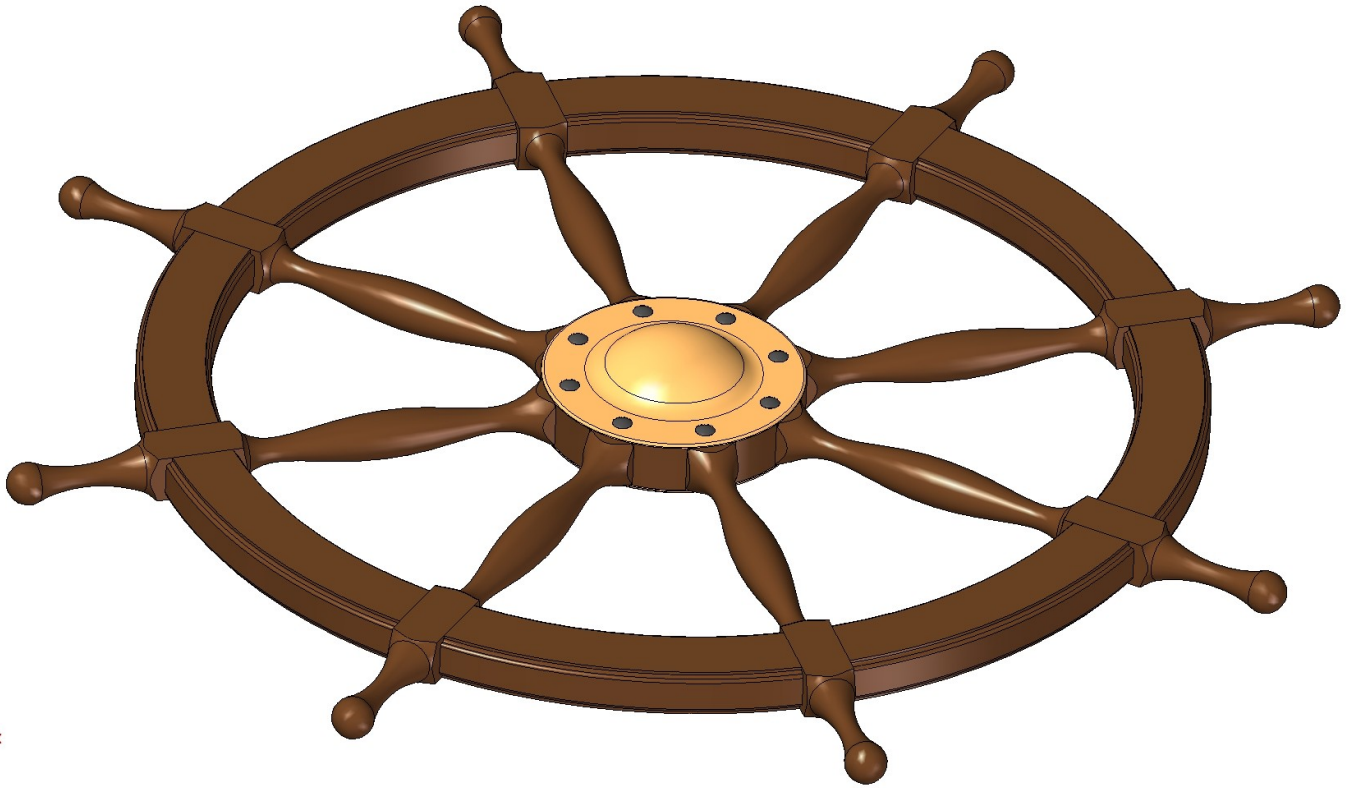
4.



5.







6.

